

REVISIONS			
REV	DESCRIPTION	DATE	APPROVED

NOTES:

- THE PRODUCT SHOWN HEREIN IS DESIGNED AND MANUFACTURED TO COMPLY WITH REQUIREMENTS OF THE 2006 IBC AND THE 2006 IRC WITH STATE OF TEXAS MODIFICATIONS AND WITH THE 2009 IBC, 2009 IRC, 2012 IBC, 2012 IRC, 2015 IBC AND 2015 IRC.
- WOOD FRAMING AND MASONRY OPENING TO BE DESIGNED AND ANCHORED TO PROPERLY TRANSFER ALL LOADS TO STRUCTURE. FRAMING AND MASONRY OPENING IS THE RESPONSIBILITY OF THE ARCHITECT OR ENGINEER OF RECORD.
- 1X BUCK OVER MASONRY/CONCRETE IS OPTIONAL.
- WHERE SHIM OR BUCK THICKNESS IS LESS THAN 1-1/2" WINDOW UNITS MUST BE ANCHORED THROUGH THE FRAME IN ACCORDANCE WITH MANUFACTURER'S PUBLISHED INSTALLATION INSTRUCTIONS. ANCHORS SHALL BE SECURELY FASTENED DIRECTLY INTO MASONRY, CONCRETE OR OTHER STRUCTURAL SUBSTRATE MATERIAL.
- WHERE WOOD BUCK THICKNESS IS 1-1/2" OR GREATER, BUCK SHALL BE SECURELY FASTENED TO MASONRY, CONCRETE OR OTHER STRUCTURAL SUBSTRATE. WINDOW UNITS MAY BE ANCHORED THROUGH FRAME TO SECURED WOOD BUCK IN ACCORDANCE WITH MANUFACTURER'S PUBLISHED INSTALLATION INSTRUCTIONS.
- WHERE 1X BUCK IS NOT USED DISSIMILAR MATERIALS MUST BE SEPARATED WITH APPROVED COATING OR MEMBRANE. SELECTION OF COATING OR MEMBRANE IS THE RESPONSIBILITY OF THE ARCHITECT OR ENGINEER OF RECORD.
- BUCKS SHALL EXTEND BEYOND WINDOW INTERIOR FACE SO THAT FULL FRAME SUPPORT IS PROVIDED.
- SHIM AS REQUIRED AT EACH ANCHOR LOCATION WITH LOAD BEARING SHIM. SHIM WHERE SPACE OF 1/16" OR GREATER OCCURS. MAXIMUM ALLOWABLE SHIM STACK TO BE 1/4".
- SHIMS SHALL BE LOCATED, APPLIED AND MADE FROM MATERIALS AND THICKNESS CAPABLE OF SUSTAINING APPLICABLE LOADS.
- WIND LOAD DURATION FACTOR Cd=1.6 WAS USED FOR WOOD ANCHOR CALCULATIONS.
- FRAME MATERIAL: EXTRUDED ALUMINUM 6063-T5.
- UNITS MUST BE GLAZED PER ASTM E1300-04/09.
- APPROVED IMPACT PROTECTIVE SYSTEM IS REQUIRED FOR THIS PRODUCT IN WIND BORNE DEBRIS REGIONS.
- FOR ANCHORING THROUGH FIN INTO WOOD FRAMING OR 2X BUCK USE #6 WOOD SCREWS WITH SUFFICIENT LENGTH TO ACHIEVE A 1 1/2" MINIMUM EMBEDMENT INTO SUBSTRATE. LOCATE ANCHORS AS SHOWN IN ELEVATIONS AND INSTALLATION DETAILS.
- FOR ANCHORING THROUGH FIN INTO METAL STRUCTURE USE #6 SMS OR SELF DRILLING SCREWS WITH SUFFICIENT LENGTH TO ACHIEVE 3 THREADS MINIMUM BEYOND STRUCTURE INTERIOR WALL. LOCATE ANCHORS AS SHOWN IN ELEVATIONS AND INSTALLATION DETAILS.
- FOR ANCHORING THROUGH FRAME INTO WOOD FRAMING OR 2X BUCK USE #10 WOOD SCREWS WITH SUFFICIENT LENGTH TO ACHIEVE A 1 1/4" MINIMUM EMBEDMENT INTO SUBSTRATE. LOCATE ANCHORS AS SHOWN IN ELEVATIONS AND INSTALLATION DETAILS.
- FOR ANCHORING THROUGH FRAME INTO MASONRY/CONCRETE USE 3/16" TAPCONS WITH SUFFICIENT LENGTH TO ACHIEVE A 1 1/4" MINIMUM EMBEDMENT INTO SUBSTRATE WITH 2" MINIMUM EDGE DISTANCE. LOCATE ANCHORS AS SHOWN IN ELEVATIONS AND INSTALLATION DETAILS.
- FOR ANCHORING THROUGH FRAME INTO METAL STRUCTURE USE #10 SMS OR SELF DRILLING SCREWS WITH SUFFICIENT LENGTH TO ACHIEVE 3 THREADS MINIMUM BEYOND STRUCTURE INTERIOR WALL. LOCATE ANCHORS AS SHOWN IN ELEVATIONS AND INSTALLATION DETAILS.
- ALL FASTENERS TO BE CORROSION RESISTANT.
- INSTALLATION ANCHORS SHALL BE INSTALLED IN ACCORDANCE WITH ANCHOR MANUFACTURER'S INSTALLATION INSTRUCTIONS AND ANCHORS SHALL NOT BE USED IN SUBSTRATES WITH STRENGTHS LESS THAN THE MINIMUM STRENGTH SPECIFIED BELOW:
 - WOOD: MINIMUM SPECIFIC GRAVITY OF G=0.42
 - CONCRETE: MINIMUM COMPRESSIVE STRENGTH OF 2,000 PSI.
 - MASONRY: HOLLOW/FILLED BLOCK PER ASTM C90 WITH Fm=2,000PSI MINIMUM.
 - METAL STRUCTURE: STEEL 18GA (.048") FY=33KSI/FU=52KSI OR ALUMINUM 6063-T5 FU=30KSI .048" THICK MINIMUM

SIGNED: 03/12/2019

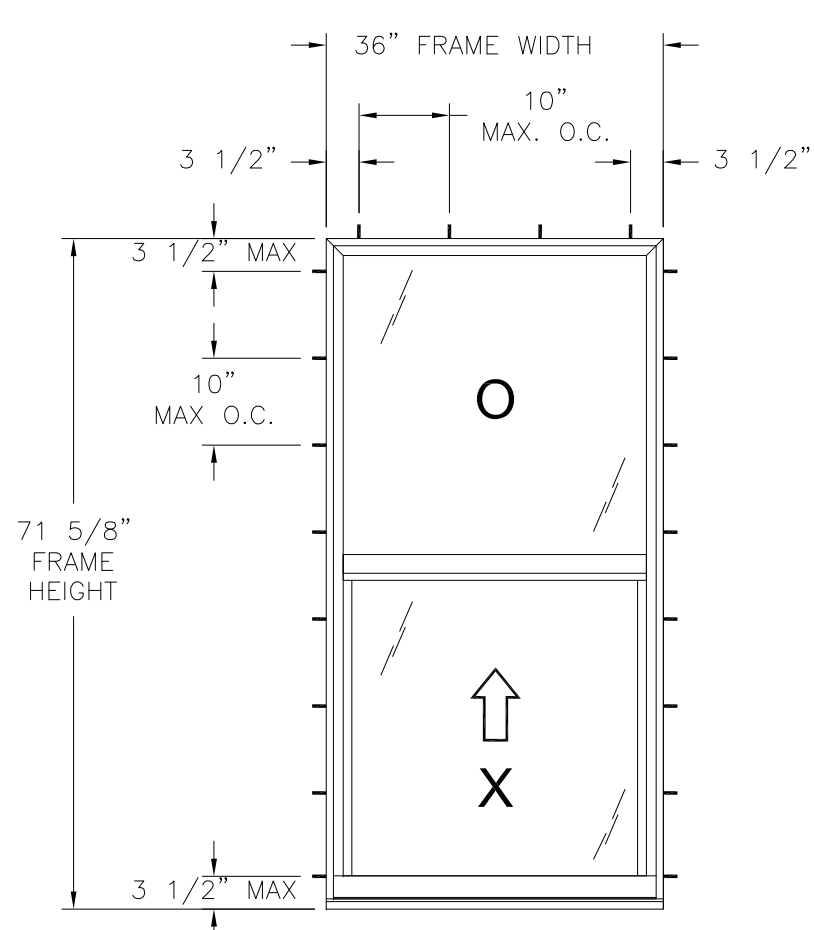
TABLE OF CONTENTS	
SHEET NO.	DESCRIPTION
1	NOTES
2 - 3	ELEVATIONS
4 - 9	INSTALLATION DETAILS
10	COMPONENTS

MI WINDOW AND DOORS, LLC. 650 WEST MARKET STREET GRATZ, PA 17030		
SERIES 185 ALUMINUM SINGLE HUNG WINDOW NON-IMPACT 36" x 72" NOTES		
DRAWN: A.R.	DWG NO. 08-03393	REV -
SCALE NTS	DATE 03/12/19	SHEET 1 OF 10
L. ROBERTO LOMAS P.E. 1432 WOODFORD RD LEWISVILLE, NC 27023 434-688-0609 rllomas@rlomaspe.com		

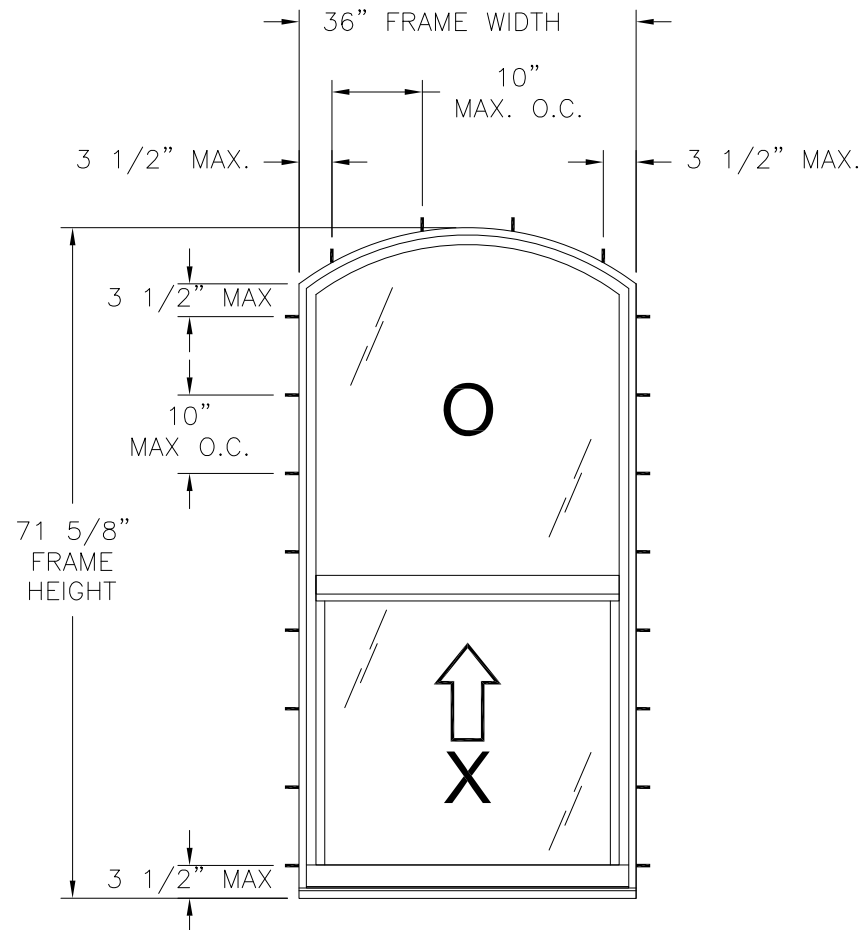


Luis R. Lomas P.E.
TX No.: 101889

REVISIONS			
REV	DESCRIPTION	DATE	APPROVED



185 ALUMINUM SINGLE HUNG WINDOW
EXTERIOR VIEW
FLANGE & FINLESS INSTALLATION



185 ALUMINUM SINGLE HUNG WINDOW DESIGNER
EXTERIOR VIEW
FLANGE & FINLESS INSTALLATION

DESIGN PRESSURE RATING	IMPACT RATING
+60.0/-70.0PSF	NONE

36" X 71 5/8" UNIT SHOWN. OTHER SIZES APPROVED AS LONG AS
FRAME AREA DOES NOT EXCEED 17.9 FT²

NOTES:

- SASH SIZE: 34 15/16" X 36 1/16"
- D.L.O.: 33 1/4" X 32 7/16"

HARDWARE SCHEDULE

- | | |
|----|---|
| A. | (1) MULTI-POINT LOCK WITH KEEPERS WITH HANDLE AT CENTER OF VENT BOTTOM RAIL |
| B. | (3) LOCK BUTTONS AT LOCK SLIDE BAR |

MI WINDOW AND DOORS, LLC.

650 WEST MARKET STREET
GRATZ, PA 17030

SERIES 185 ALUMINUM SINGLE HUNG WINDOW
NON-IMPACT 36" x 72"
FLANGE & FINLESS ELEVATIONS

DRAWN: A.R.	DWG NO. 08-03393	REV -
SCALE NTS	DATE 03/12/19	SHEET 2 OF 10

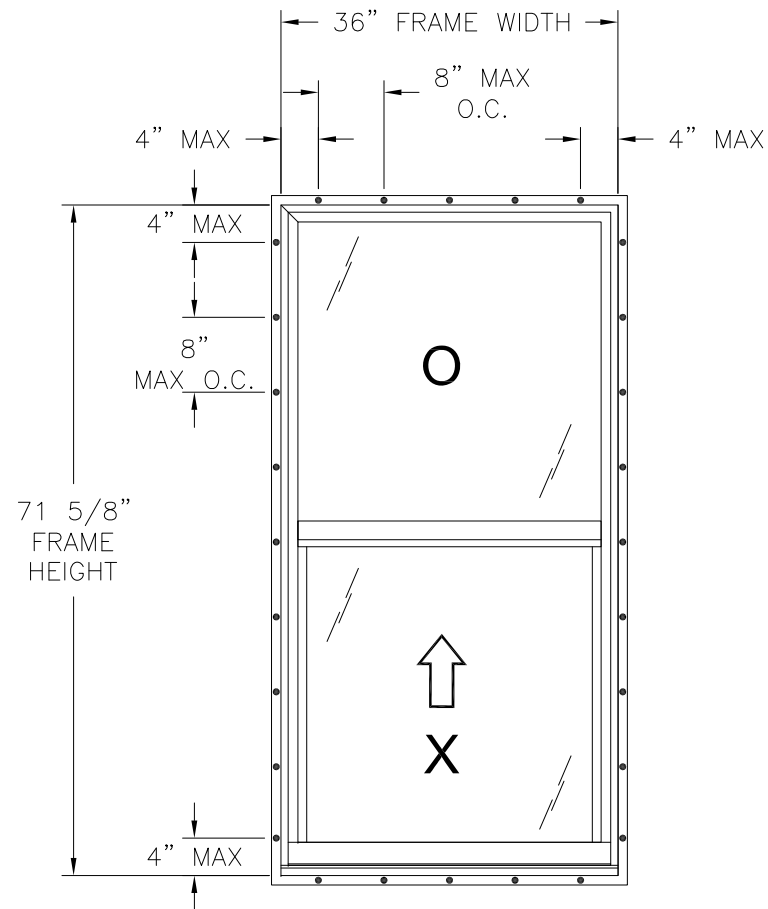
L. ROBERTO LOMAS P.E.
1432 WOODFORD RD LEWISVILLE, NC 27023
434-688-0609 rllomas@lrlomaspe.com

SIGNED: 03/12/2019

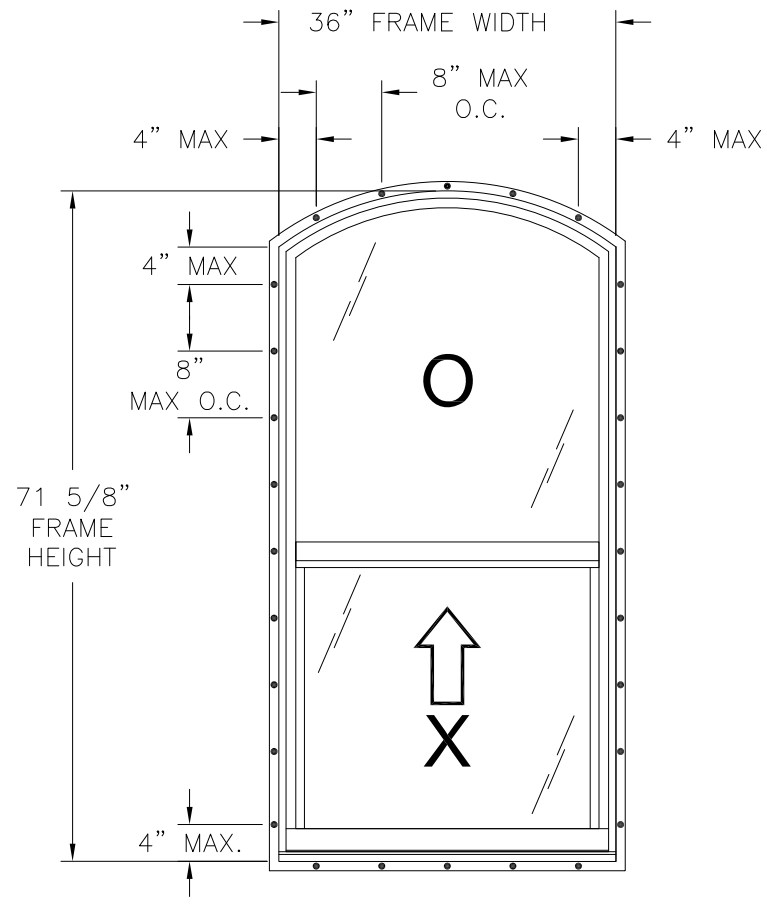


Luis R. Lomas P.E.
TX No.: 101889

REVISIONS			
REV	DESCRIPTION	DATE	APPROVED



185 ALUMINUM SINGLE HUNG WINDOW
EXTERIOR VIEW
FIN INSTALLATION



185 ALUMINUM SINGLE HUNG WINDOW DESIGNER
EXTERIOR VIEW
FIN INSTALLATION

DESIGN PRESSURE RATING	IMPACT RATING
+60.0/-70.0PSF	NONE

36" X 71 5/8" UNIT SHOWN. OTHER SIZES APPROVED AS LONG AS FRAME AREA DOES NOT EXCEED 17.9 FT²

NOTES:

- SASH SIZE: 34 15/16" X 36 1/16"
- D.L.O.: 33 1/4" X 32 7/16"

HARDWARE SCHEDULE

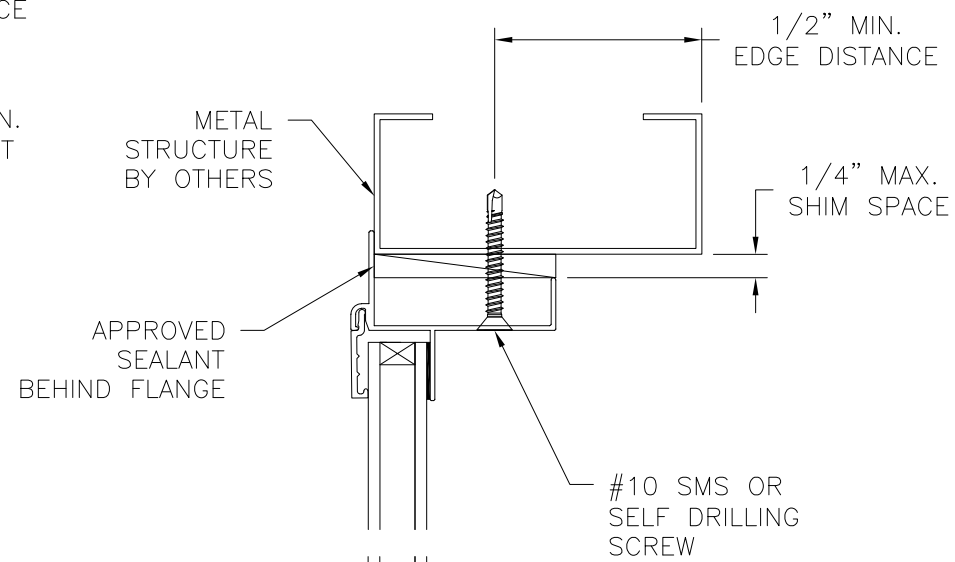
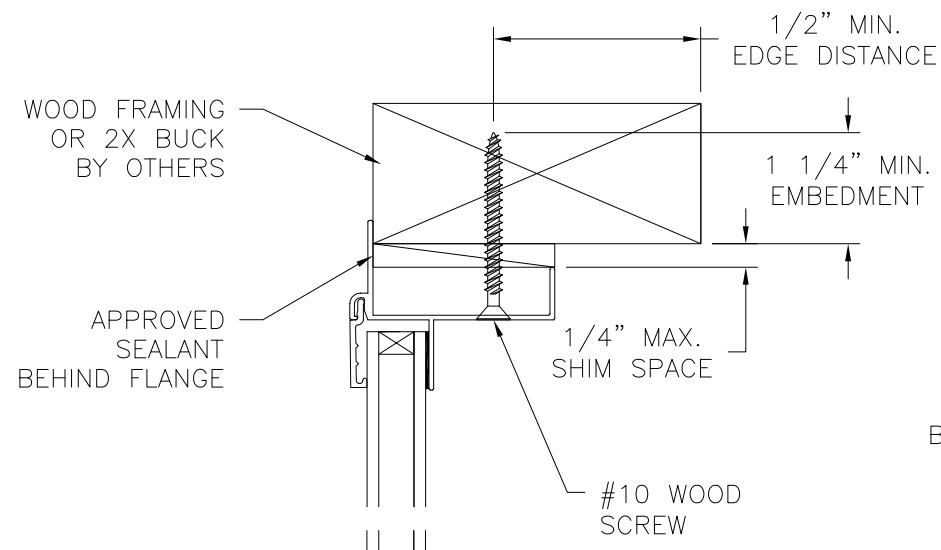
- | | |
|----|---|
| A. | (1) MULTI-POINT LOCK WITH KEEPERS WITH HANDLE AT CENTER OF VENT BOTTOM RAIL |
| B. | (3) LOCK BUTTONS AT LOCK SLIDE BAR |

MI WINDOW AND DOORS, LLC. 650 WEST MARKET STREET GRATZ, PA 17030		
SERIES 185 ALUMINUM SINGLE HUNG WINDOW NON-IMPACT 36" x 72" FIN ELEVATIONS		
DRAWN: A.R.	DWG NO. 08-03393	REV -
SCALE NTS	DATE 03/12/19	SHEET 3 OF 10
L. ROBERTO LOMAS P.E. 1432 WOODFORD RD LEWISVILLE, NC 27023 434-688-0609 rllomas@lrlomaspe.com		

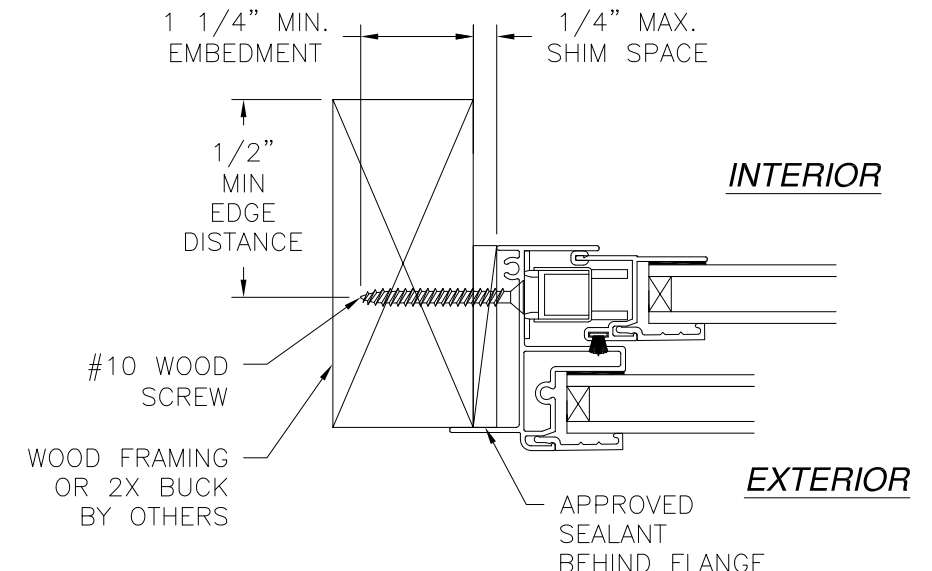
SIGNED: 03/12/2019



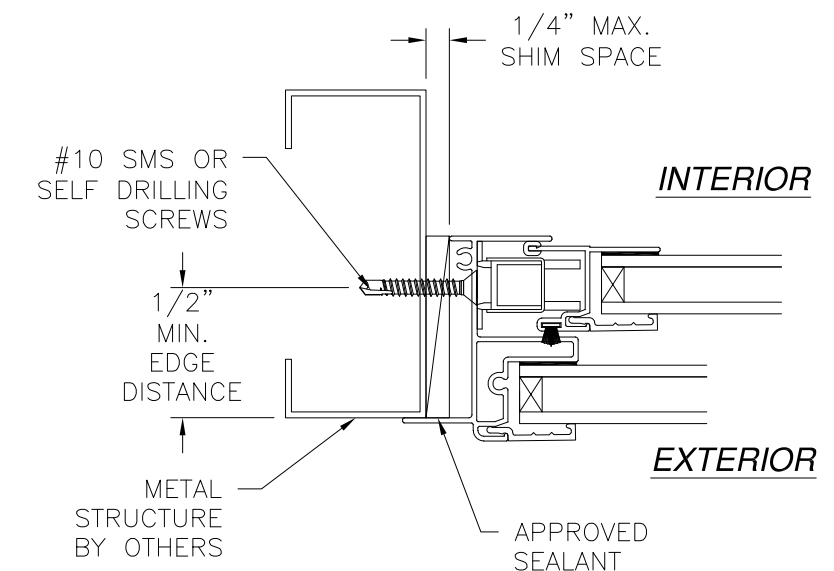
Luis R. Lomas P.E.
TX No.: 101889



REVISIONS			
REV	DESCRIPTION	DATE	APPROVED



JAMB INSTALLATION DETAIL
WOOD FRAMING OR 2X BUCK INSTALLATION



JAMB INSTALLATION DETAIL
METAL STRUCTURE INSTALLATION

SIGNED: 03/12/2019

MI WINDOW AND DOORS, LLC.
650 WEST MARKET STREET
GRATZ, PA 17030

SERIES 185 ALUMINUM SINGLE HUNG WINDOW
NON-IMPACT 36" x 72"
FLANGE INSTALLATION DETAILS

DRAWN: A.R.	DWG NO. 08-03393	REV -
SCALE NTS	DATE 03/12/19	SHEET 4 OF 10

L. ROBERTO LOMAS P.E.
1432 WOODFORD RD LEWISVILLE, NC 27023
434-688-0609 rllomas@rlomaspe.com



Luis R. Lomas P.E.
TX No.: 101889

EXTERIOR

INTERIOR

EXTERIOR

INTERIOR

INTERIOR

EXTERIOR

INTERIOR

EXTERIOR

VERTICAL CROSS SECTION
WOOD FRAMING OR 2X BUCK INSTALLATION

VERTICAL CROSS SECTION
METAL STRUCTURE INSTALLATION

SILL TO BE SET
IN A BED OF
APPROVED SEALANT

SILL TO BE SET
IN A BED OF
APPROVED SEALANT

APPROVED
SEALANT
BEHIND
FLANGE

APPROVED
SEALANT
BEHIND
FLANGE

1/4" MAX.
SHIM SPACE

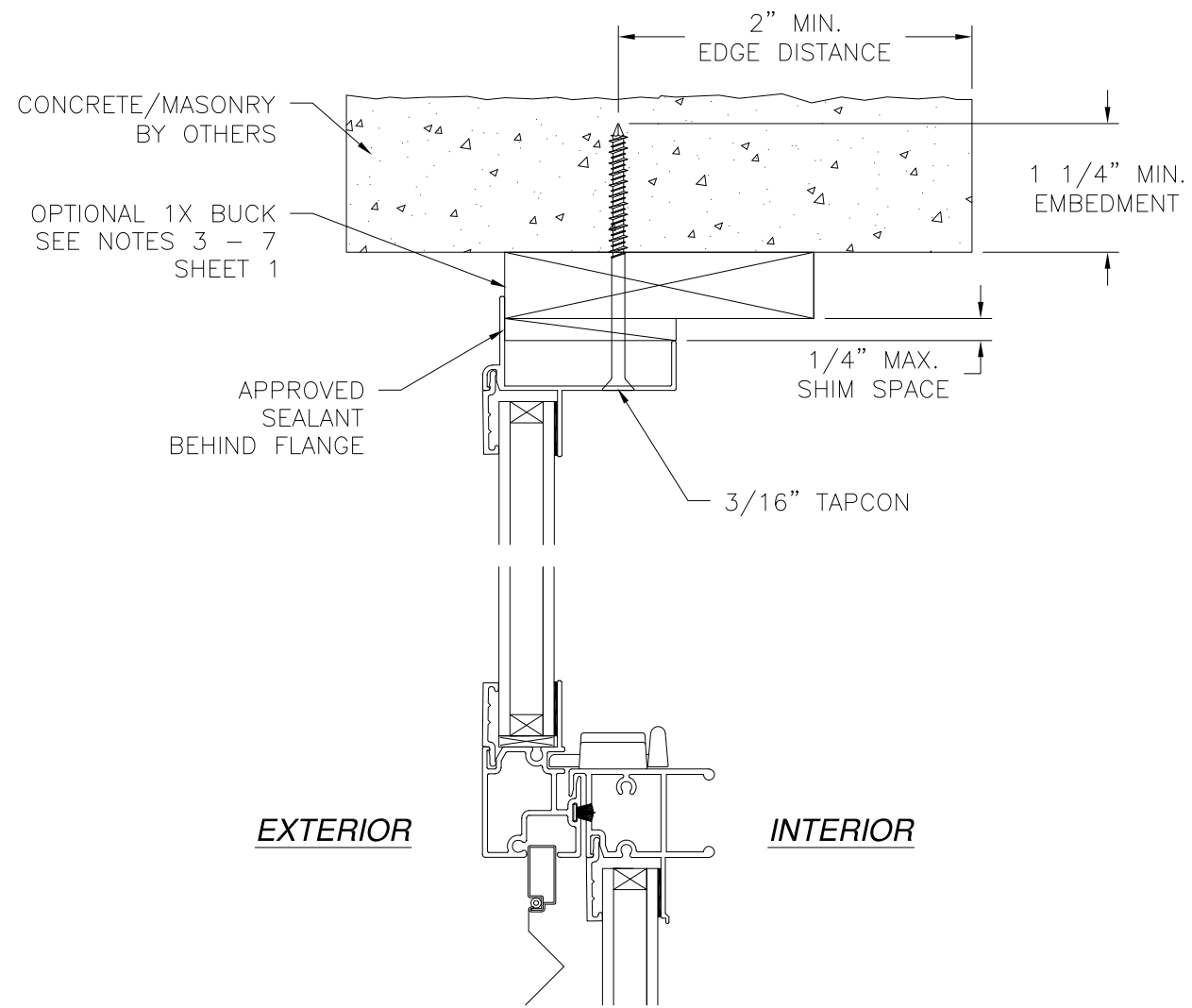
APPROVED
SEALANT
BEHIND
FLANGE

WOOD FRAMING
OR 2X BUCK
BY OTHERS

METAL
STRUCTURE
BY OTHERS

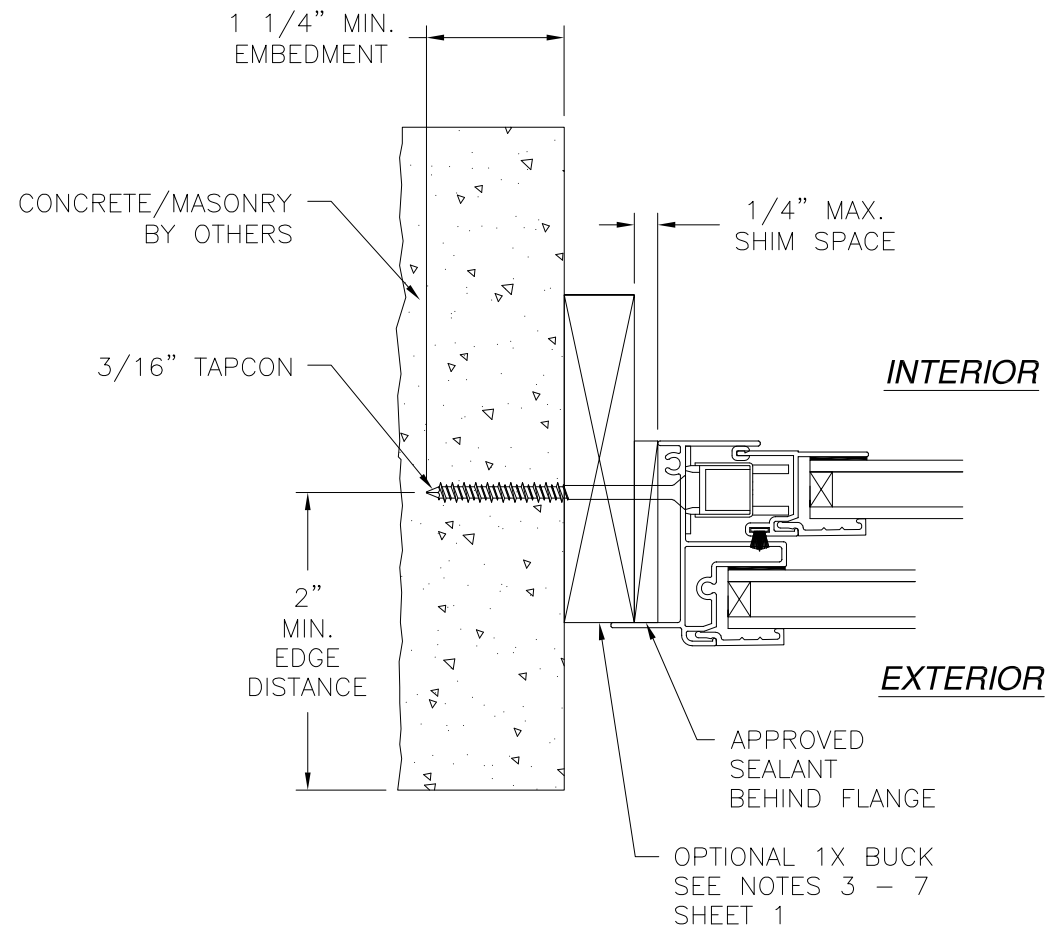
- NOTES:
1. INTERIOR AND EXTERIOR FINISHES, BY OTHERS, NOT SHOWN FOR CLARITY.
 2. PERIMETER AND JOINT SEALANT BY OTHERS TO BE DESIGNED IN ACCORDANCE WITH ASTM E2112

REVISIONS			
REV	DESCRIPTION	DATE	APPROVED



EXTERIOR

INTERIOR



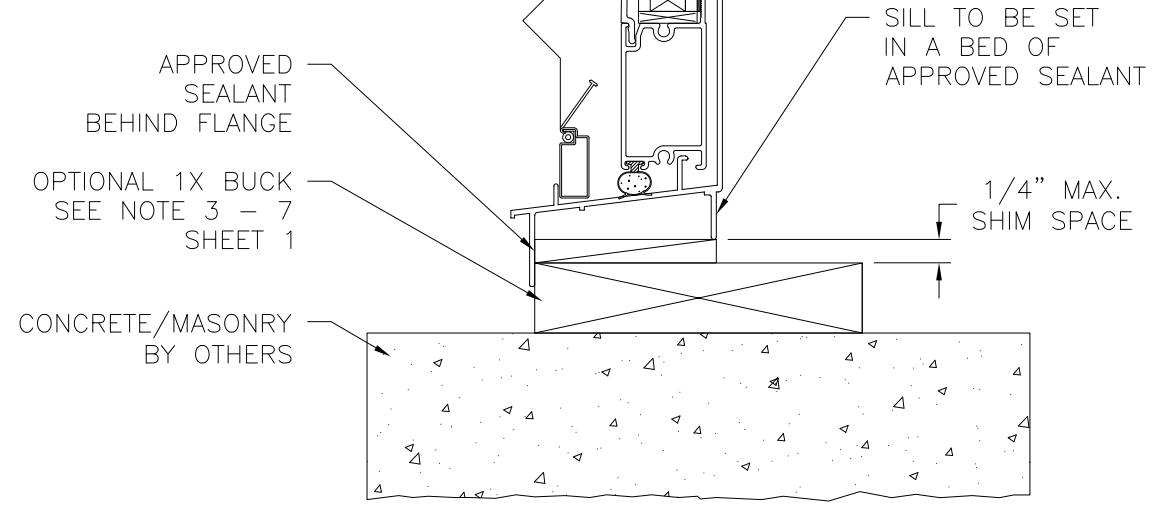
INTERIOR

EXTERIOR

JAMB INSTALLATION DETAIL
CONCRETE/MASONRY INSTALLATION

- NOTES:**
1. INTERIOR AND EXTERIOR FINISHES, BY OTHERS, NOT SHOWN FOR CLARITY.
 2. PERIMETER AND JOINT SEALANT BY OTHERS TO BE DESIGNED IN ACCORDANCE WITH ASTM E2112

SIGNED: 03/12/2019

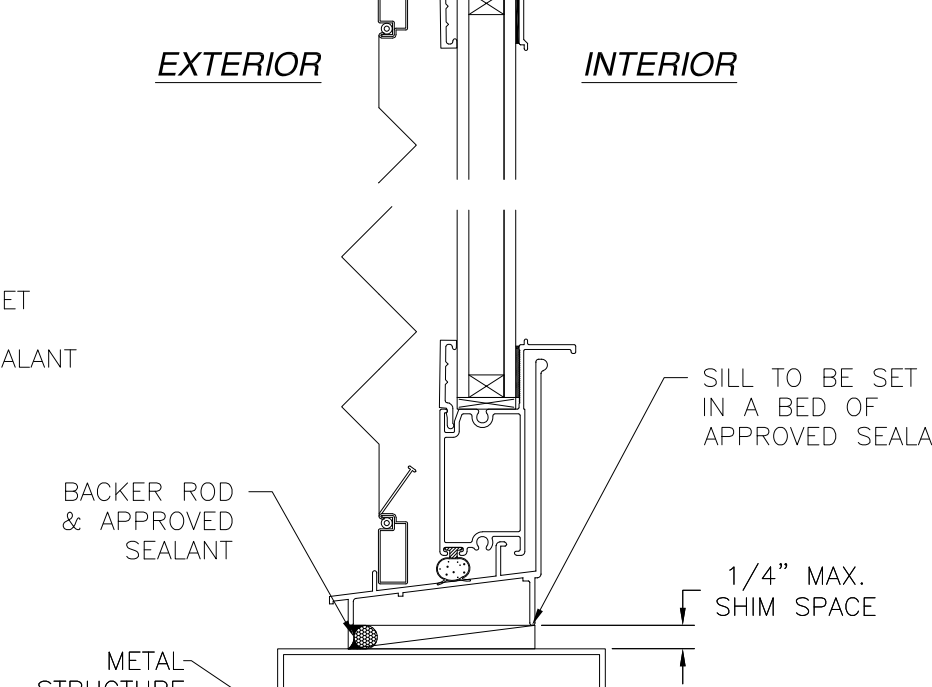
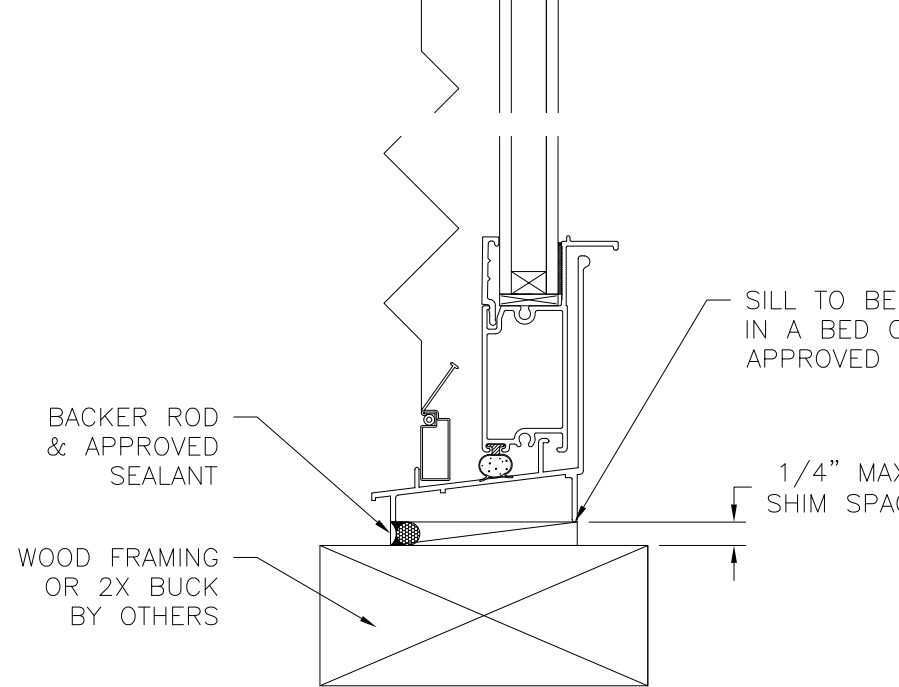
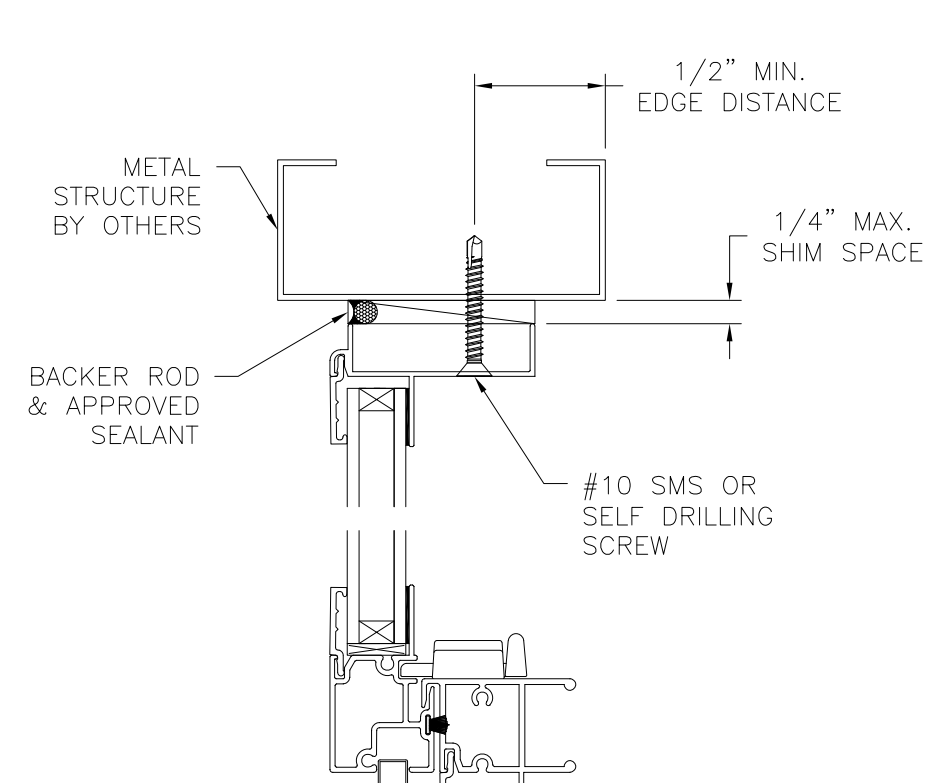
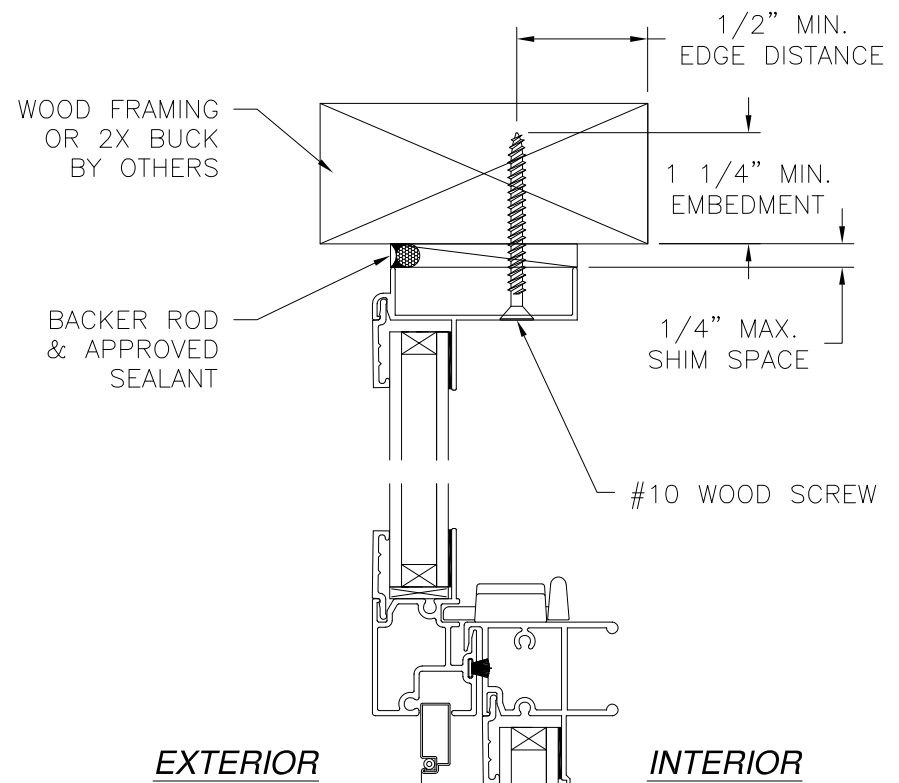


VERTICAL CROSS SECTION
CONCRETE/MASONRY INSTALLATION

MI WINDOW AND DOORS, LLC. 650 WEST MARKET STREET GRATZ, PA 17030		
SERIES 185 ALUMINUM SINGLE HUNG WINDOW NON-IMPACT 36" x 72" FLANGE INSTALLATION DETAILS		
DRAWN: A.R.	DWG NO. 08-03393	REV -
SCALE NTS	DATE 03/12/19	SHEET 5 OF 10
L. ROBERTO LOMAS P.E. 1432 WOODFORD RD LEWISVILLE, NC 27023 434-688-0609 rllomas@lrlomaspe.com		



Luis R. Lomas P.E.
TX No.: 101889

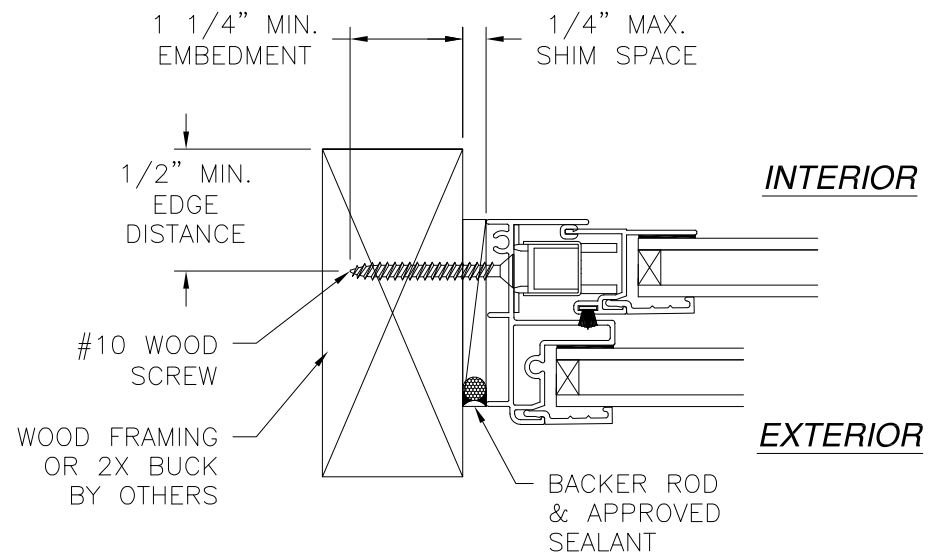


VERTICAL CROSS SECTION
WOOD FRAMING OR 2X BUCK INSTALLATION

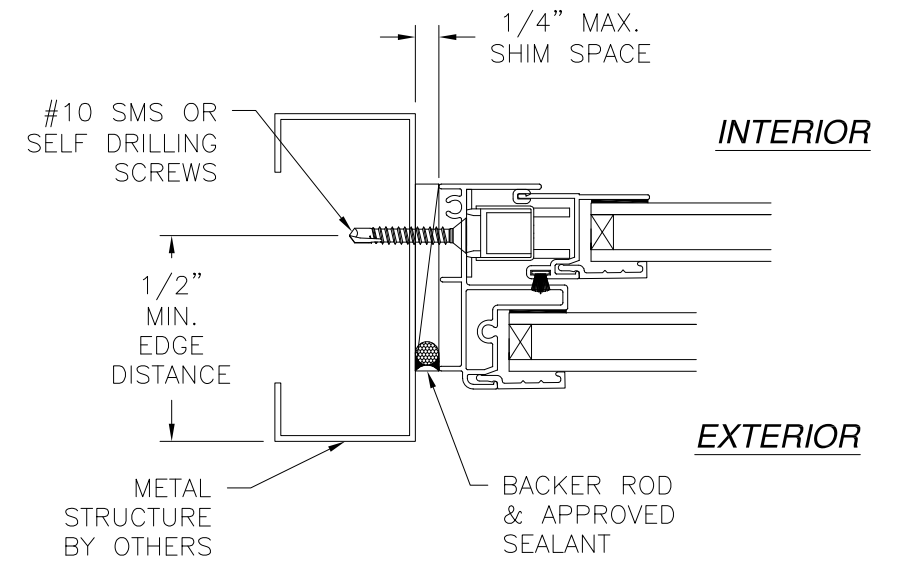
VERTICAL CROSS SECTION
METAL STRUCTURE INSTALLATION

NOTES:
1. INTERIOR AND EXTERIOR FINISHES, BY OTHERS, NOT SHOWN FOR CLARITY.
2. PERIMETER AND JOINT SEALANT BY OTHERS TO BE DESIGNED IN ACCORDANCE WITH ASTM E2112

REVISIONS			
REV	DESCRIPTION	DATE	APPROVED



JAMB INSTALLATION DETAIL
WOOD FRAMING OR 2X BUCK INSTALLATION



JAMB INSTALLATION DETAIL
METAL STRUCTURE INSTALLATION

SIGNED: 03/12/2019

MI WINDOW AND DOORS, LLC.
650 WEST MARKET STREET
GRATZ, PA 17030

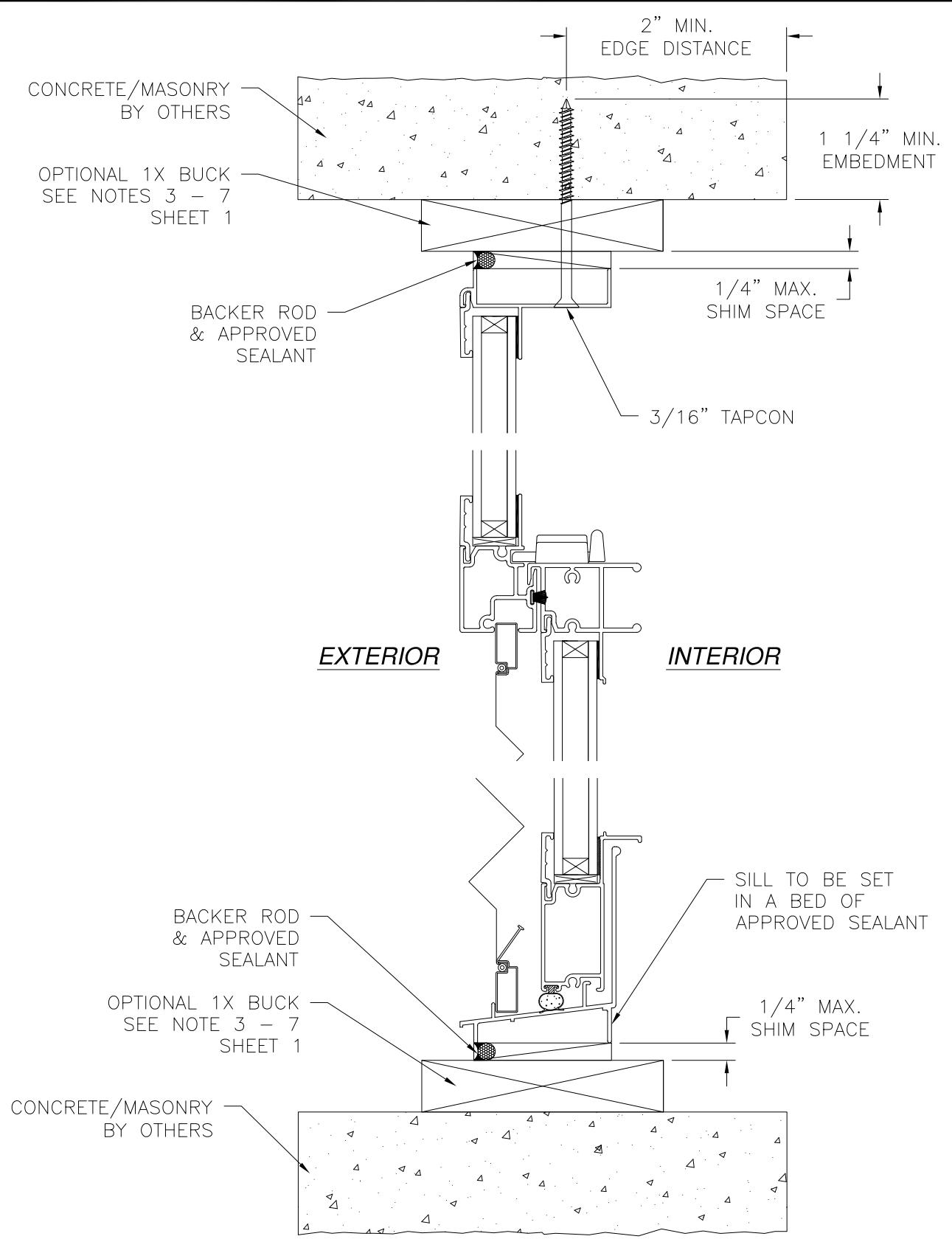
SERIES 185 ALUMINUM SINGLE HUNG WINDOW
NON-IMPACT 36" x 72"
FINLESS INSTALLATION DETAILS

DRAWN: A.R.	DWG NO. 08-03393	REV -
SCALE NTS	DATE 03/12/19	SHEET 6 OF 10

L. ROBERTO LOMAS P.E.
1432 WOODFORD RD LEWISVILLE, NC 27023
434-688-0609 rllomas@rlomaspe.com

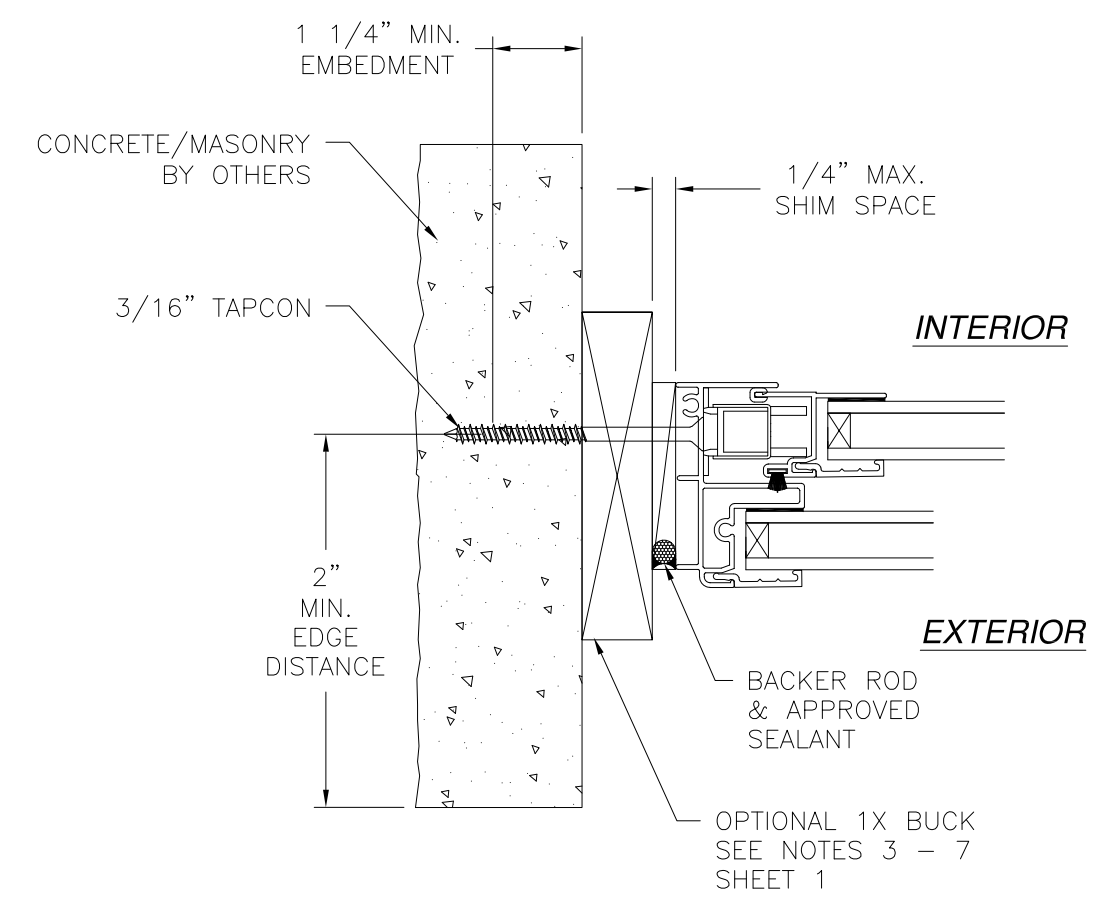


Luis R. Lomas P.E.
TX No.: 101889



**VERTICAL CROSS SECTION
CONCRETE/MASONRY INSTALLATION**

REVISIONS			
REV	DESCRIPTION	DATE	APPROVED



**JAMB INSTALLATION DETAIL
CONCRETE/MASONRY INSTALLATION**

- NOTES:**
1. INTERIOR AND EXTERIOR FINISHES, BY OTHERS, NOT SHOWN FOR CLARITY.
 2. PERIMETER AND JOINT SEALANT BY OTHERS TO BE DESIGNED IN ACCORDANCE WITH ASTM E2112

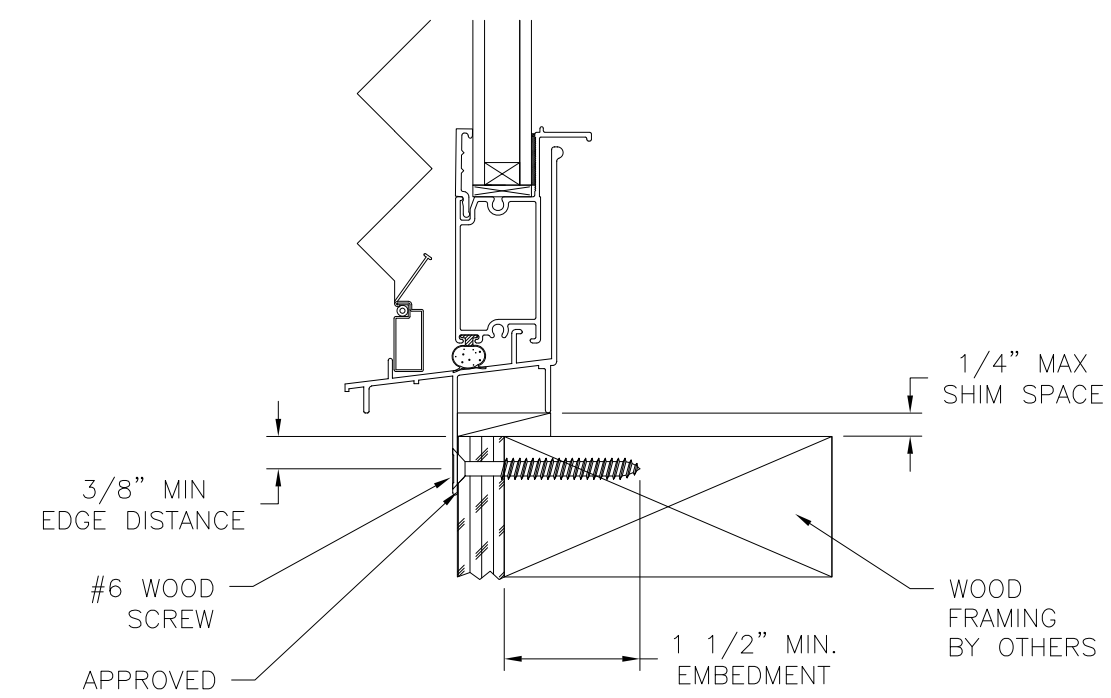
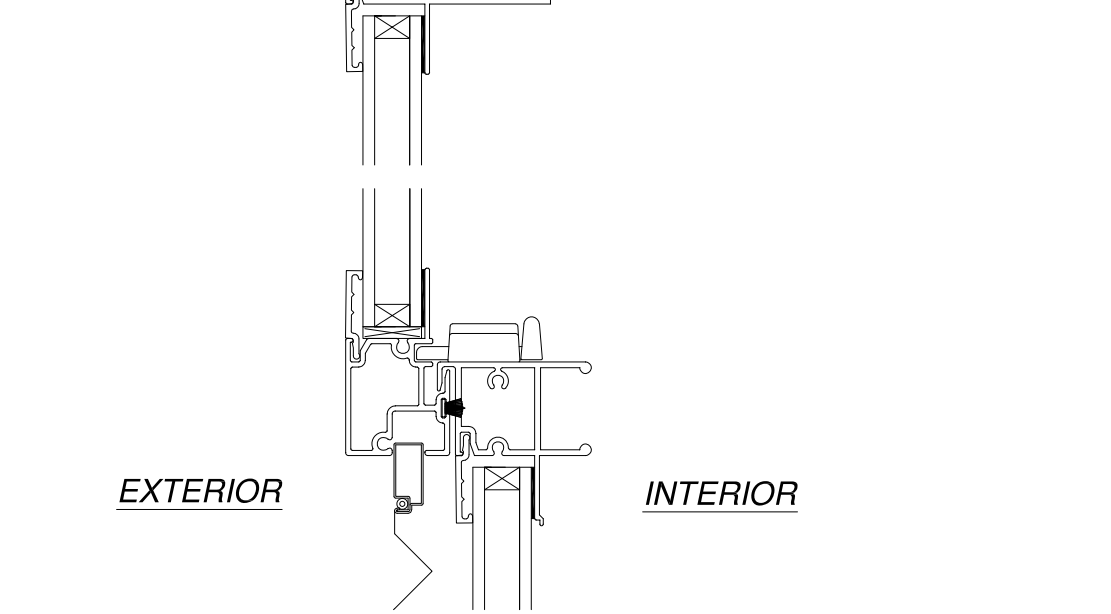
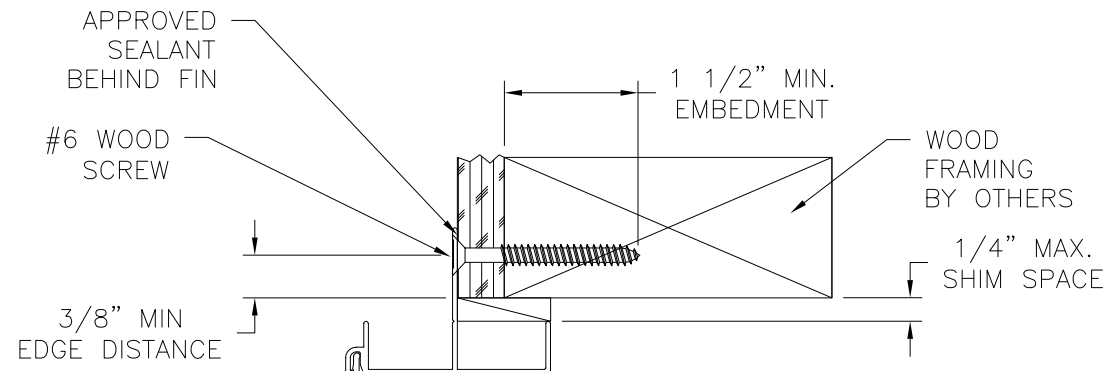
SIGNED: 03/12/2019

<p>MI WINDOW AND DOORS, LLC. 650 WEST MARKET STREET GRATZ, PA 17030</p>		
<p>SERIES 185 ALUMINUM SINGLE HUNG WINDOW NON-IMPACT 36" x 72" FINLESS INSTALLATION DETAILS</p>		
DRAWN: A.R.	DWG NO. 08-03393	REV -
SCALE NTS	DATE 03/12/19	SHEET 7 OF 10
<p>L. ROBERTO LOMAS P.E. 1432 WOODFORD RD LEWISVILLE, NC 27023 434-688-0609 rllomas@rlomaspe.com</p>		

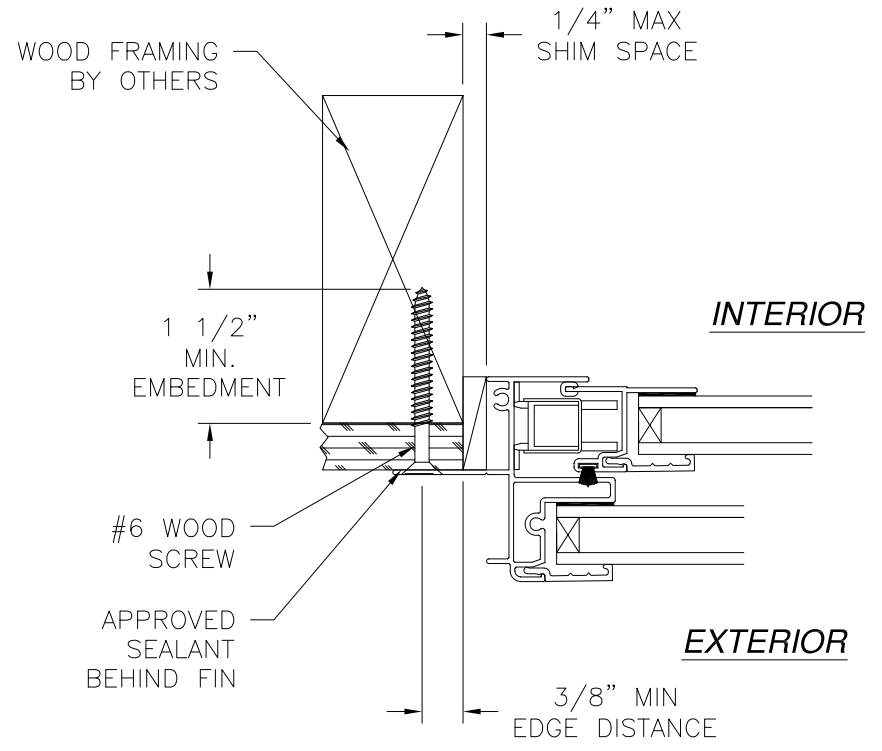


Luis R. Lomas P.E.
TX No.: 101889

REVISIONS			
REV	DESCRIPTION	DATE	APPROVED



VERTICAL CROSS SECTION
WOOD FRAMING OR 2X BUCK INSTALLATION



JAMB INSTALLATION DETAIL
WOOD FRAMING OR 2X BUCK INSTALLATION

- NOTES:**
1. INTERIOR AND EXTERIOR FINISHES, BY OTHERS, NOT SHOWN FOR CLARITY.
 2. PERIMETER AND JOINT SEALANT BY OTHERS TO BE DESIGNED IN ACCORDANCE WITH ASTM E2112

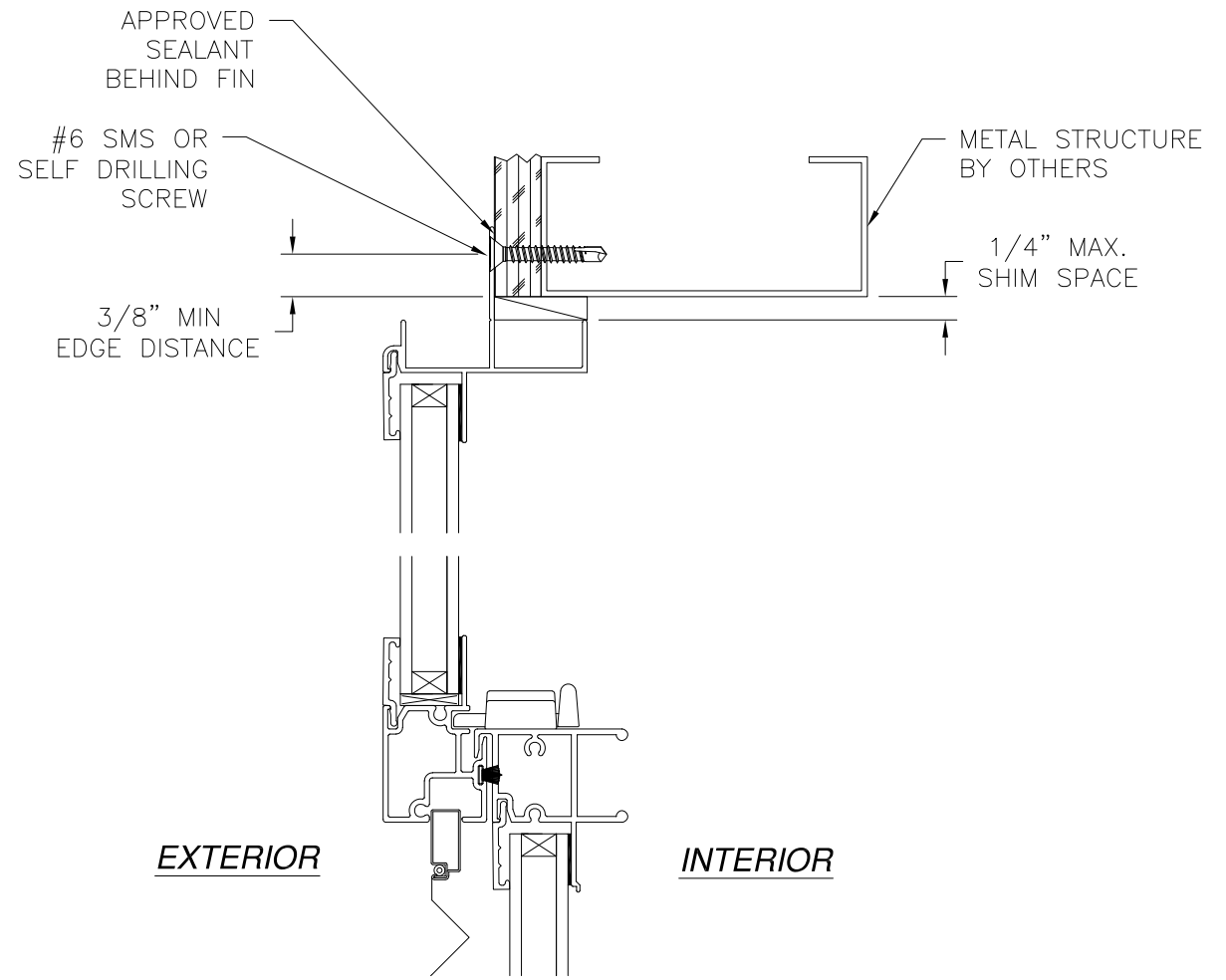
SIGNED: 03/12/2019

MI WINDOW AND DOORS, LLC. 650 WEST MARKET STREET GRATZ, PA 17030		
SERIES 185 ALUMINUM SINGLE HUNG WINDOW NON-IMPACT 36" x 72" FIN INSTALLATION DETAILS		
DRAWN: A.R.	DWG NO. 08-03393	REV -
SCALE NTS	DATE 03/12/19	SHEET 8 OF 10
L. ROBERTO LOMAS P.E. 1432 WOODFORD RD LEWISVILLE, NC 27023 434-688-0609 rllomas@rlomaspe.com		

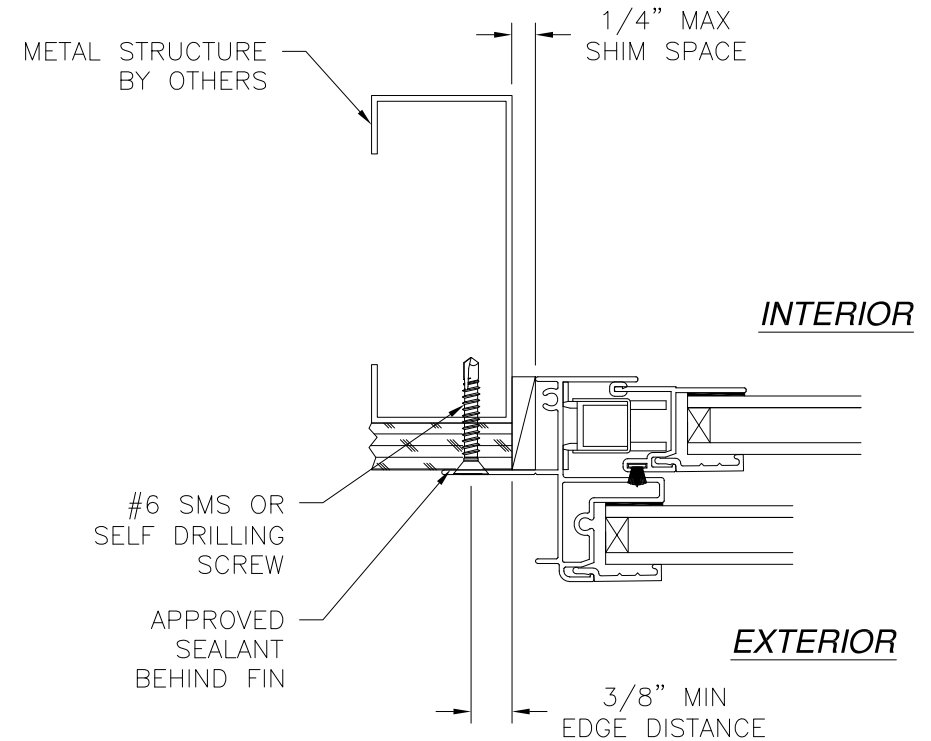


Luis R. Lomas P.E.
TX No.: 101889

REVISIONS			
REV	DESCRIPTION	DATE	APPROVED



VERTICAL CROSS SECTION
METAL STRUCTURE INSTALLATION



JAMB INSTALLATION DETAIL
METAL STRUCTURE INSTALLATION

- NOTES:**
1. INTERIOR AND EXTERIOR FINISHES, BY OTHERS, NOT SHOWN FOR CLARITY.
 2. PERIMETER AND JOINT SEALANT BY OTHERS TO BE DESIGNED IN ACCORDANCE WITH ASTM E2112

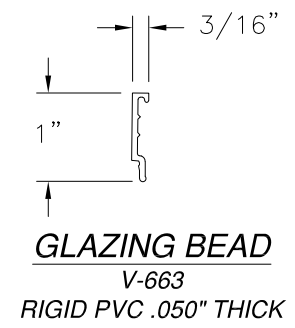
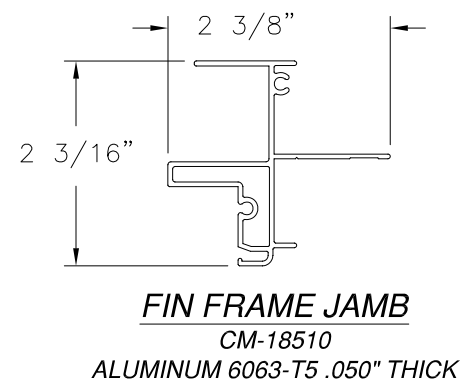
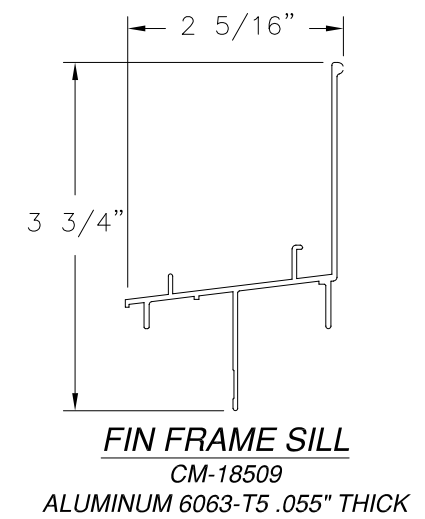
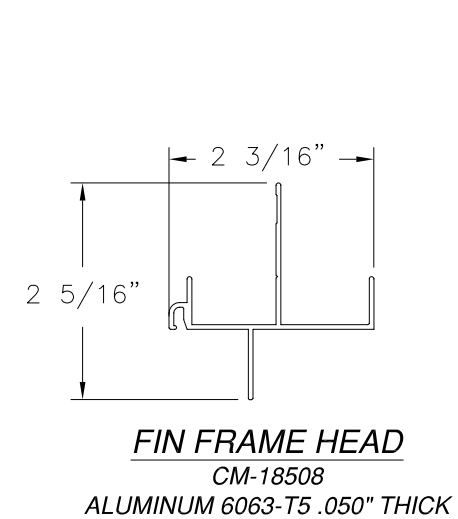
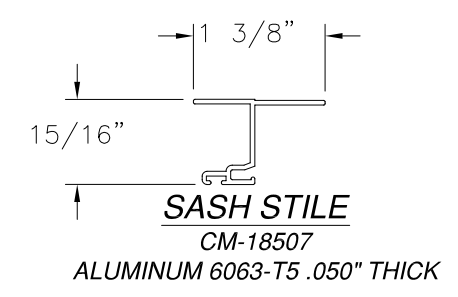
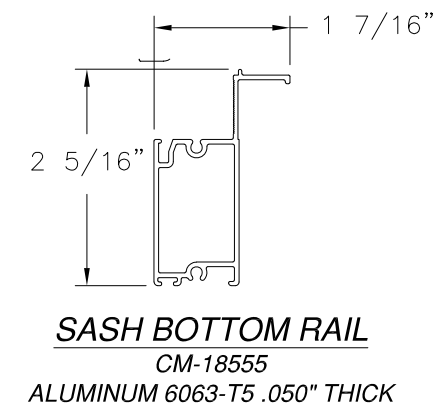
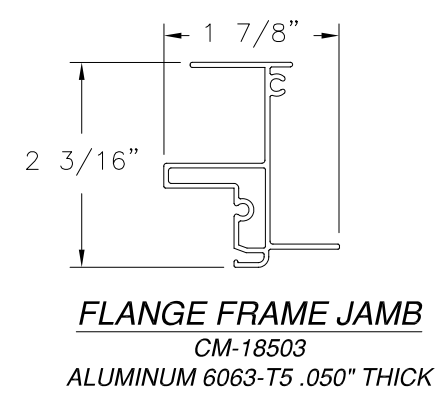
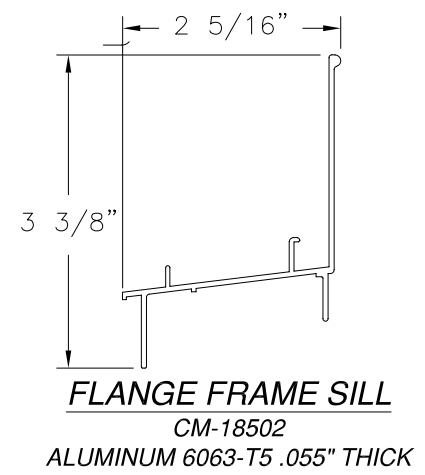
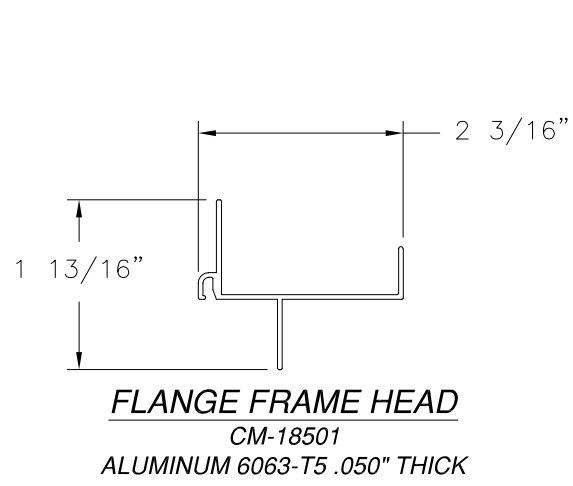
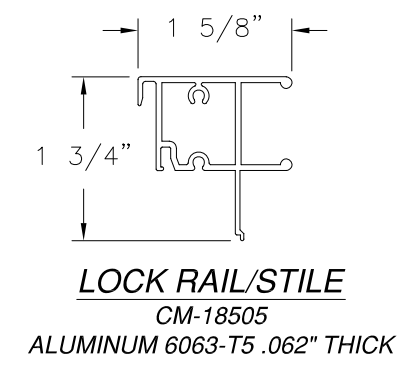
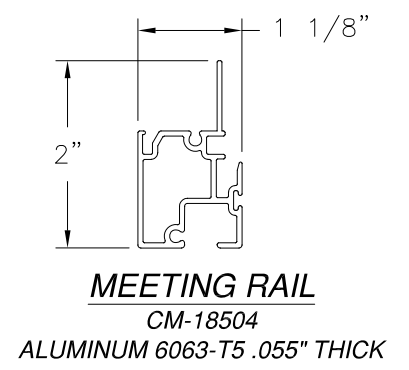
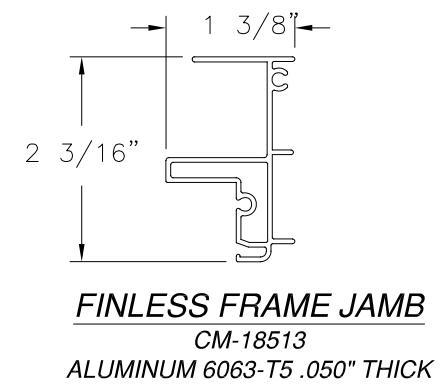
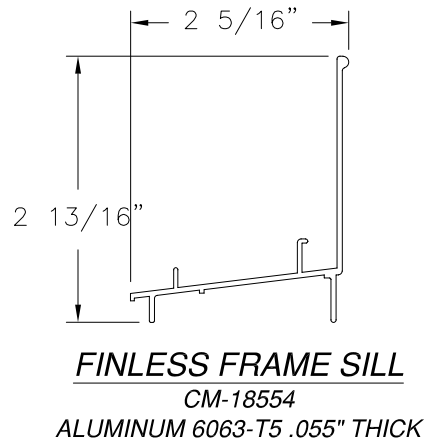
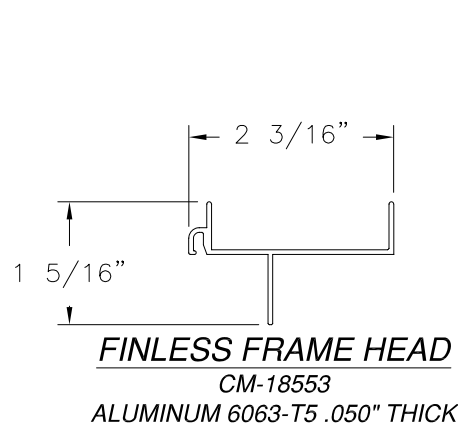
SIGNED: 03/12/2019

MI WINDOW AND DOORS, LLC. 650 WEST MARKET STREET GRATZ, PA 17030		
SERIES 185 ALUMINUM SINGLE HUNG WINDOW NON-IMPACT 36" x 72" FIN INSTALLATION DETAILS		
DRAWN: A.R.	DWG NO. 08-03393	REV -
SCALE NTS	DATE 03/12/19	SHEET 9 OF 10
L. ROBERTO LOMAS P.E. 1432 WOODFORD RD LEWISVILLE, NC 27023 434-688-0609 rllomas@rlomaspe.com		



Luis R. Lomas P.E.
TX No.: 101889

REVISIONS			
REV	DESCRIPTION	DATE	APPROVED



SIGNED: 03/12/2019

MI WINDOW AND DOORS, LLC.
650 WEST MARKET STREET
GRATZ, PA 17030

SERIES 185 ALUMINUM SINGLE HUNG WINDOW
NON-IMPACT 36" x 72"
COMPONENTS

DRAWN: A.R.	DWG NO. 08-03393	REV -
SCALE NTS	DATE 03/12/19	SHEET 10 OF 10

L. ROBERTO LOMAS P.E.
1432 WOODFORD RD LEWISVILLE, NC 27023
434-688-0609 rllomas@rlomaspe.com



Luis R. Lomas P.E.
TX No.: 101889