

REVISIONS			
REV	DESCRIPTION	DATE	APPROVED

NOTES:

1. THE PRODUCT SHOWN HEREIN IS DESIGNED AND MANUFACTURED TO COMPLY WITH REQUIREMENTS OF THE 2006 IBC AND THE 2006 IRC WITH STATE OF TEXAS MODIFICATIONS AND WITH THE 2009 IBC, 2009 IRC, 2012 IBC, 2012 IRC, 2015 IBC AND 2015 IRC.
2. WOOD FRAMING AND MASONRY OPENING TO BE DESIGNED AND ANCHORED TO PROPERLY TRANSFER ALL LOADS TO STRUCTURE. FRAMING AND MASONRY OPENING IS THE RESPONSIBILITY OF THE ARCHITECT OR ENGINEER OF RECORD.
3. 1X BUCK OVER MASONRY/CONCRETE IS OPTIONAL.
4. WHERE SHIM OR BUCK THICKNESS IS LESS THAN 1-1/2" WINDOW UNITS MUST BE ANCHORED THROUGH THE FRAME IN ACCORDANCE WITH MANUFACTURER'S PUBLISHED INSTALLATION INSTRUCTIONS. ANCHORS SHALL BE SECURELY FASTENED DIRECTLY INTO MASONRY, CONCRETE OR OTHER STRUCTURAL SUBSTRATE MATERIAL.
5. WHERE WOOD BUCK THICKNESS IS 1-1/2" OR GREATER, BUCK SHALL BE SECURELY FASTENED TO MASONRY, CONCRETE OR OTHER STRUCTURAL SUBSTRATE. WINDOW UNITS MAY BE ANCHORED THROUGH FRAME TO SECURED WOOD BUCK IN ACCORDANCE WITH MANUFACTURER'S PUBLISHED INSTALLATION INSTRUCTIONS.
6. WHERE 1X BUCK IS NOT USED DISSIMILAR MATERIALS MUST BE SEPARATED WITH APPROVED COATING OR MEMBRANE. SELECTION OF COATING OR MEMBRANE IS THE RESPONSIBILITY OF THE ARCHITECT OR ENGINEER OF RECORD.
7. BUCKS SHALL EXTEND BEYOND WINDOW INTERIOR FACE SO THAT FULL FRAME SUPPORT IS PROVIDED.
8. SHIM AS REQUIRED AT EACH ANCHOR LOCATION WITH LOAD BEARING SHIM. SHIM WHERE SPACE OF 1/16" OR GREATER OCCURS. MAXIMUM ALLOWABLE SHIM STACK TO BE 1/4".
9. SHIMS SHALL BE LOCATED, APPLIED AND MADE FROM MATERIALS AND THICKNESS CAPABLE OF SUSTAINING APPLICABLE LOADS.
10. WIND LOAD DURATION FACTOR Cd=1.6 WAS USED FOR WOOD ANCHOR CALCULATIONS.
11. FRAME MATERIAL: EXTRUDED ALUMINUM 6063-T5.
12. UNITS MUST BE GLAZED PER ASTM E1300-04/09, SEE GLAZING DETAIL SHEET 10.
13. APPROVED IMPACT PROTECTIVE SYSTEM IS NOT REQUIRED FOR THIS PRODUCT IN WIND BORNE DEBRIS REGIONS.
14. FOR ANCHORING THROUGH FIN INTO WOOD FRAMING OR 2X BUCK USE #6 WOOD SCREWS WITH SUFFICIENT LENGTH TO ACHIEVE A 1 1/2" MINIMUM EMBEDMENT INTO SUBSTRATE. LOCATE ANCHORS AS SHOWN IN ELEVATIONS AND INSTALLATION DETAILS.
15. FOR ANCHORING THROUGH FIN INTO METAL STRUCTURE USE #6 SMS OR SELF DRILLING SCREWS WITH SUFFICIENT LENGTH TO ACHIEVE 3 THREADS MINIMUM BEYOND STRUCTURE INTERIOR WALL. LOCATE ANCHORS AS SHOWN IN ELEVATIONS AND INSTALLATION DETAILS.
16. FOR ANCHORING THROUGH FRAME INTO WOOD FRAMING OR 2X BUCK USE #10 WOOD SCREWS WITH SUFFICIENT LENGTH TO ACHIEVE A 1 1/4" MINIMUM EMBEDMENT INTO SUBSTRATE. LOCATE ANCHORS AS SHOWN IN ELEVATIONS AND INSTALLATION DETAILS.
17. FOR ANCHORING THROUGH FRAME INTO MASONRY/CONCRETE USE 3/16" TAPCONS WITH SUFFICIENT LENGTH TO ACHIEVE A 1 1/4" MINIMUM EMBEDMENT INTO SUBSTRATE WITH 2" MINIMUM EDGE DISTANCE. LOCATE ANCHORS AS SHOWN IN ELEVATIONS AND INSTALLATION DETAILS.
18. FOR ANCHORING THROUGH FRAME INTO METAL STRUCTURE USE #10 SMS OR SELF DRILLING SCREWS WITH SUFFICIENT LENGTH TO ACHIEVE 3 THREADS MINIMUM BEYOND STRUCTURE INTERIOR WALL. LOCATE ANCHORS AS SHOWN IN ELEVATIONS AND INSTALLATION DETAILS.
19. ALL FASTENERS TO BE CORROSION RESISTANT.
20. INSTALLATION ANCHORS SHALL BE INSTALLED IN ACCORDANCE WITH ANCHOR MANUFACTURER'S INSTALLATION INSTRUCTIONS AND ANCHORS SHALL NOT BE USED IN SUBSTRATES WITH STRENGTHS LESS THAN THE MINIMUM STRENGTH SPECIFIED BELOW:
 - A. WOOD: MINIMUM SPECIFIC GRAVITY OF G=0.42
 - B. CONCRETE: MINIMUM COMPRESSIVE STRENGTH OF 2,000 PSI.
 - C. MASONRY: HOLLOW/FILLED BLOCK PER ASTM C90 WITH Fm=2,000PSI MINIMUM.
 - D. METAL STRUCTURE: STEEL 18GA (.048") FY=33KSI/FU=52KSI OR ALUMINUM 6063-T5 FU=30KSI .048" THICK MINIMUM

SIGNED: 03/26/2019

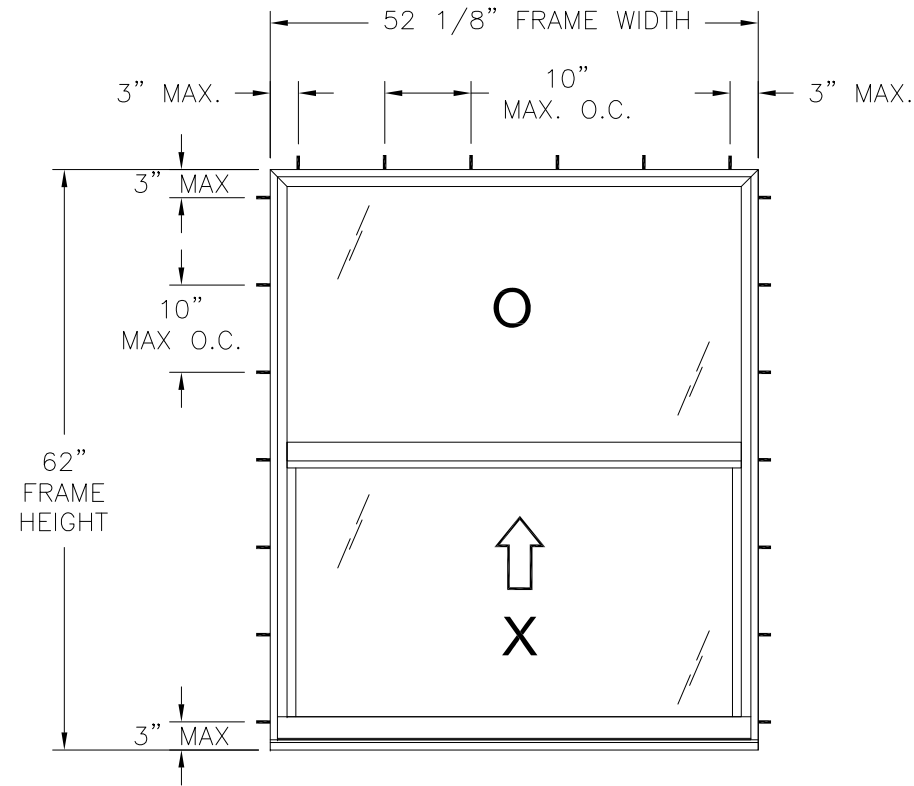
TABLE OF CONTENTS	
SHEET NO.	DESCRIPTION
1	NOTES
2 - 3	ELEVATIONS
4 - 9	INSTALLATION DETAILS
10	COMPONENTS AND GLAZING DETAIL

MI WINDOW AND DOORS, LLC. 650 WEST MARKET STREET GRATZ, PA 17030		
SERIES 185 ALUMINUM SINGLE HUNG WINDOW IMPACT 52" X 62" NOTES		
DRAWN: A.R.	DWG NO. 08-03390	REV -
SCALE NTS	DATE 03/12/19	SHEET 1 OF 10
L. ROBERTO LOMAS P.E. 1432 WOODFORD RD LEWISVILLE, NC 27023 434-688-0609 rllomas@rlomaspe.com		

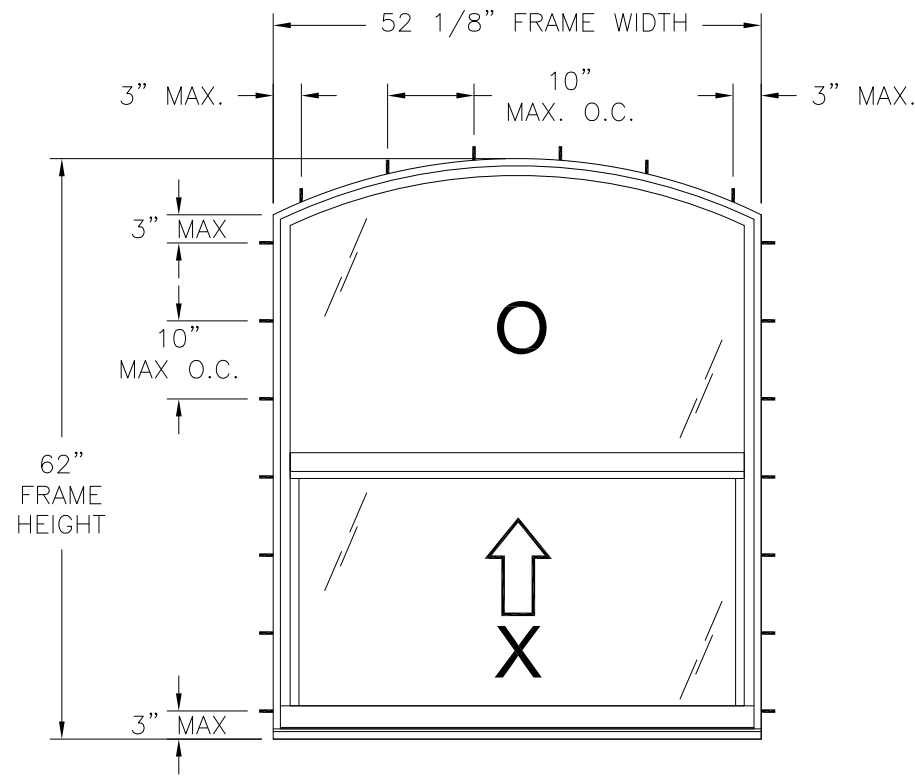


Luis R. Lomas P.E.
TX No.: 101889

REVISIONS			
REV	DESCRIPTION	DATE	APPROVED



185 ALUMINUM SINGLE HUNG WINDOW
EXTERIOR VIEW
FLANGE & FINLESS INSTALLATION



185 ALUMINUM SINGLE HUNG WINDOW DESIGNER
EXTERIOR VIEW
FLANGE & FINLESS INSTALLATION

DESIGN PRESSURE RATING	IMPACT RATING
+50.0/-63.0PSF	LARGE AND SMALL MISSILE IMPACT

MISSILE LEVEL D, WIND ZONE 3

52 1/8" X 62" UNIT SHOWN. OTHER SIZES APPROVED AS LONG AS FRAME AREA DOES NOT EXCEED 22.44 FT²

- NOTES:
- SASH SIZE: 50 1/2" X 31 3/16"
 - D.L.O.: 49 5/16" X 27 9/16"

HARDWARE SCHEDULE	
A.	(1) MULTI-POINT LOCK WITH KEEPERS WITH HANDLE AT CENTER OF VENT BOTTOM RAIL
B.	(3) LOCK BUTTONS AT LOCK SLIDE BAR

MI WINDOW AND DOORS, LLC.
650 WEST MARKET STREET
GRATZ, PA 17030

SERIES 185 ALUMINUM SINGLE HUNG WINDOW
IMPACT 52" X 62"
FLANGE & FINLESS ELEVATIONS

DRAWN: A.R.	DWG NO. 08-03390	REV -
SCALE NTS	DATE 03/12/19	SHEET 2 OF 10

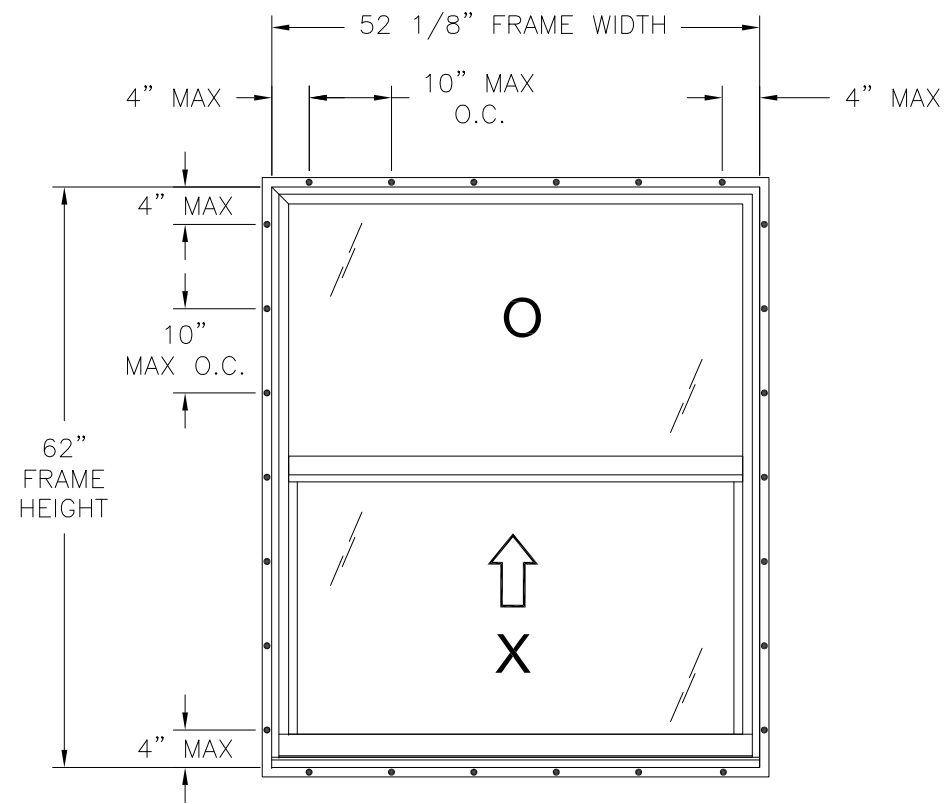
L. ROBERTO LOMAS P.E.
1432 WOODFORD RD LEWISVILLE, NC 27023
434-688-0609 rllomas@rlomaspe.com

SIGNED: 03/26/2019

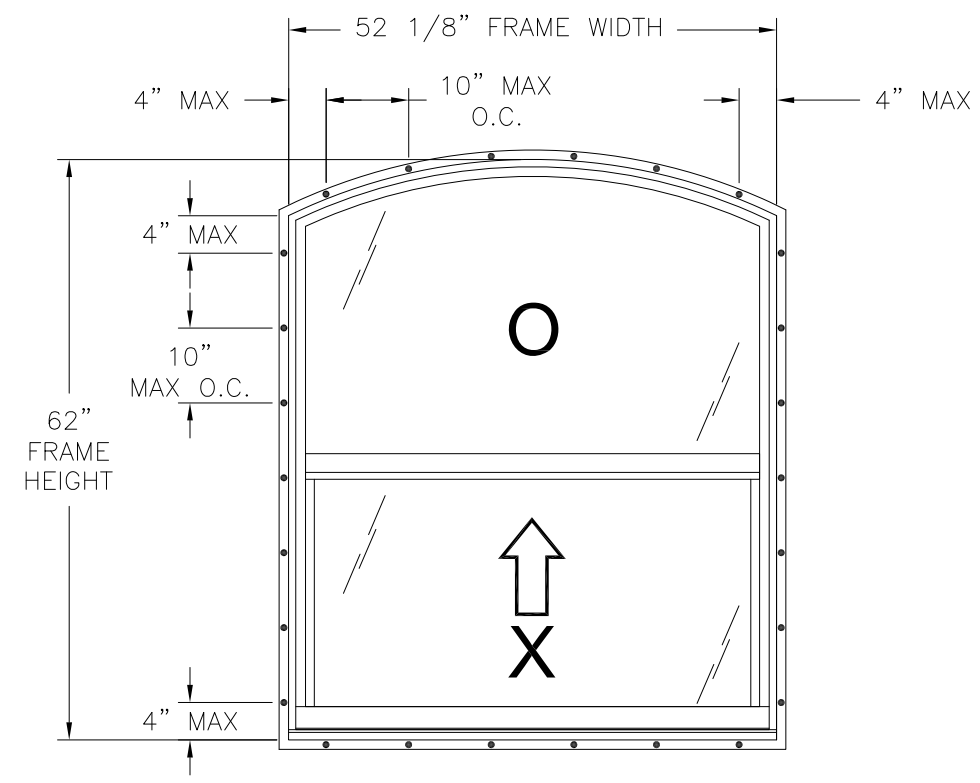


Luis R. Lomas P.E.
TX No.: 101889

REVISIONS			
REV	DESCRIPTION	DATE	APPROVED



185 ALUMINUM SINGLE HUNG WINDOW
EXTERIOR VIEW
FIN INSTALLATION



185 ALUMINUM SINGLE HUNG WINDOW DESIGNER
EXTERIOR VIEW
FIN INSTALLATION

DESIGN PRESSURE RATING	IMPACT RATING
+50.0/-63.0PSF	LARGE AND SMALL MISSILE IMPACT

MISSILE LEVEL D, WIND ZONE 3

52 1/8" X 62" UNIT SHOWN. OTHER SIZES APPROVED AS LONG AS FRAME AREA DOES NOT EXCEED 22.44 FT²

- NOTES:
- SASH SIZE: 50 1/2" X 31 3/16"
 - D.L.O.: 49 5/16" X 27 9/16"

HARDWARE SCHEDULE	
A.	(1) MULTI-POINT LOCK WITH KEEPERS WITH HANDLE AT CENTER OF VENT BOTTOM RAIL
B.	(3) LOCK BUTTONS AT LOCK SLIDE BAR

MI WINDOW AND DOORS, LLC.
650 WEST MARKET STREET
GRATZ, PA 17030

SERIES 185 ALUMINUM SINGLE HUNG WINDOW
IMPACT 52" X 62"
FIN ELEVATIONS

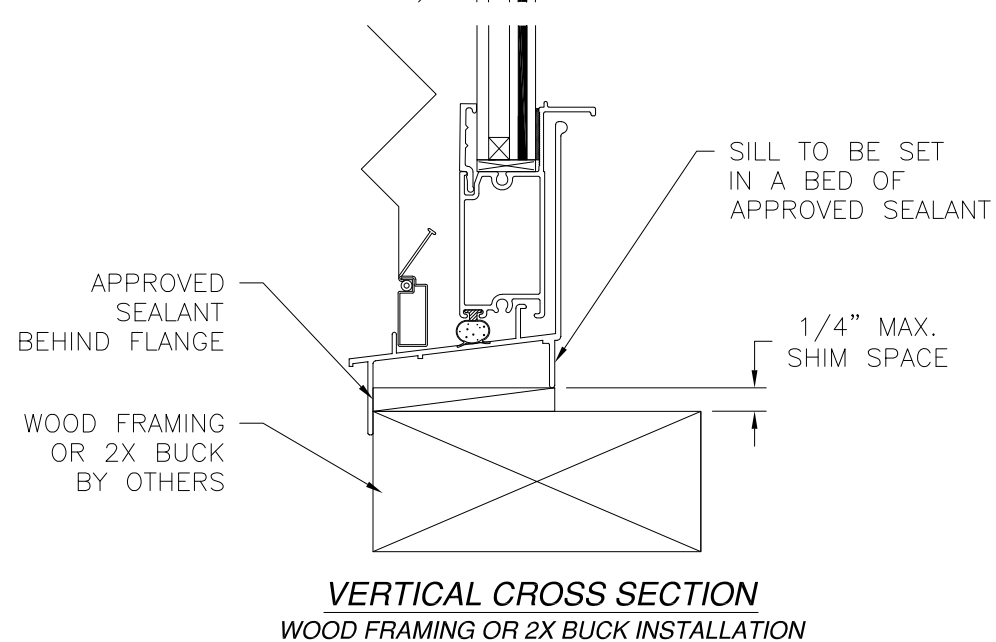
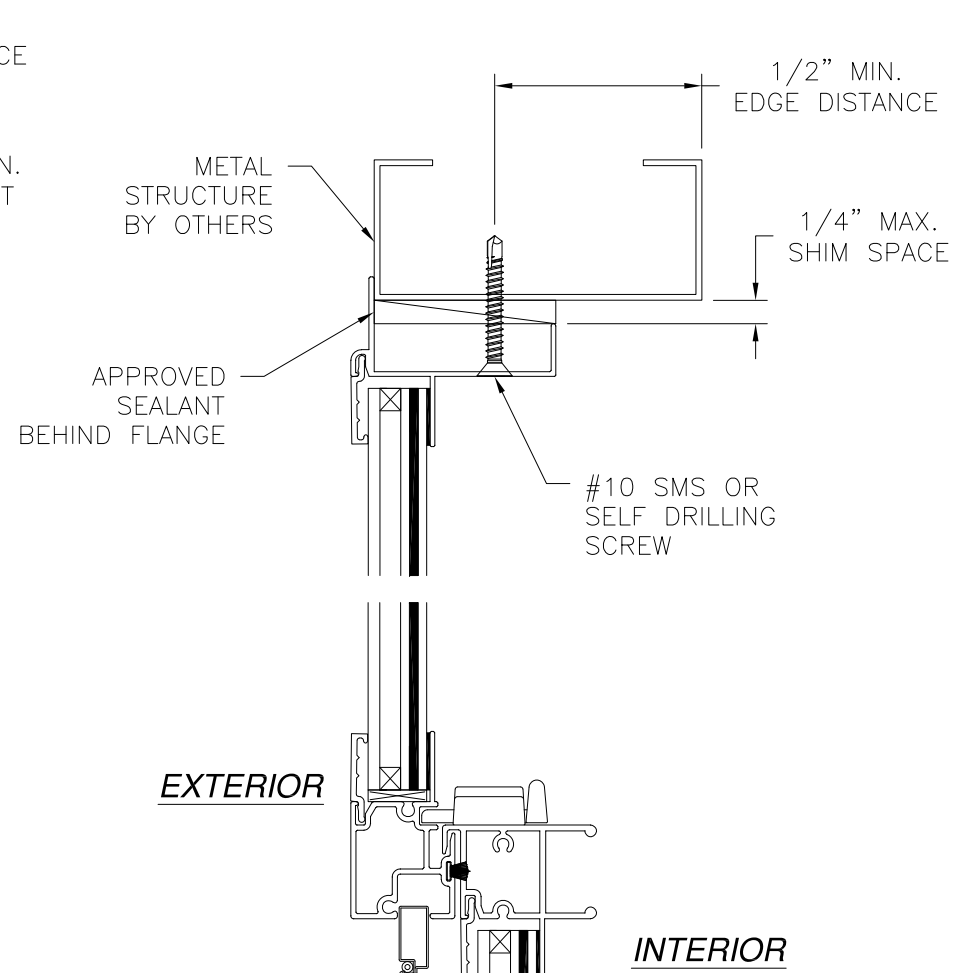
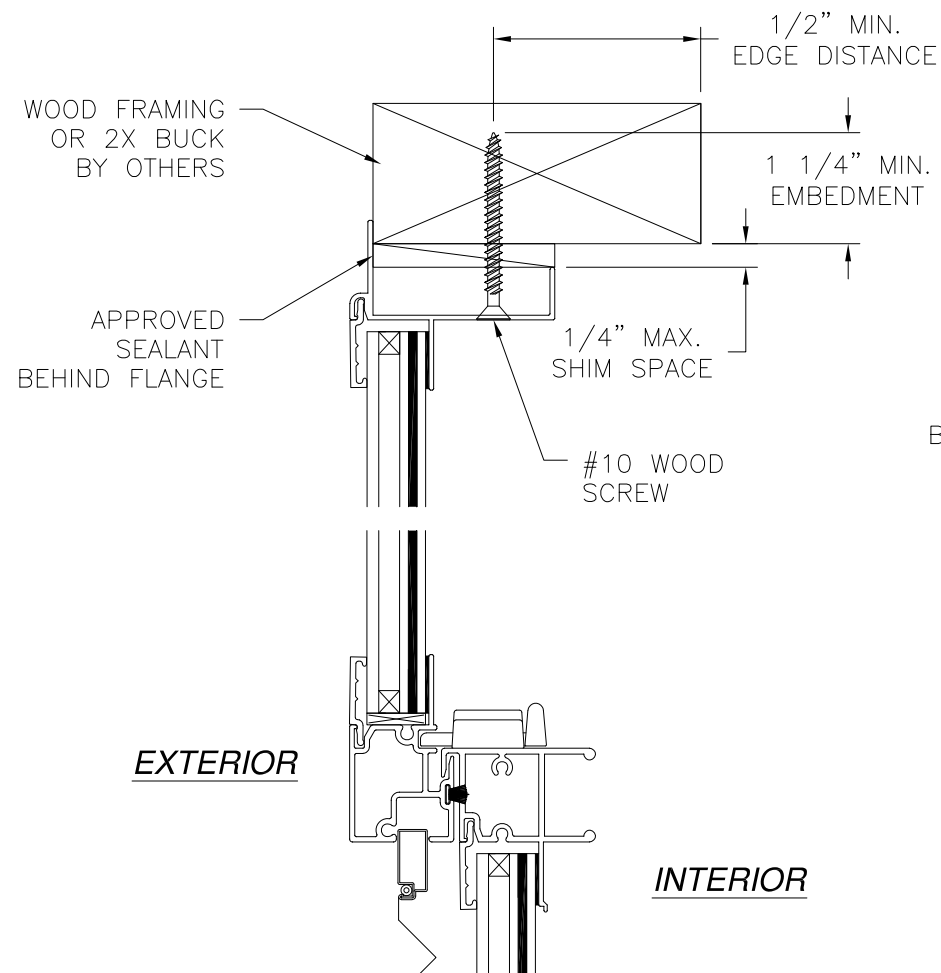
DRAWN: A.R.	DWG NO. 08-03390	REV -
SCALE NTS	DATE 03/12/19	SHEET 3 OF 10

L. ROBERTO LOMAS P.E.
1432 WOODFORD RD LEWISVILLE, NC 27023
434-688-0609 rllomas@lrlomaspe.com

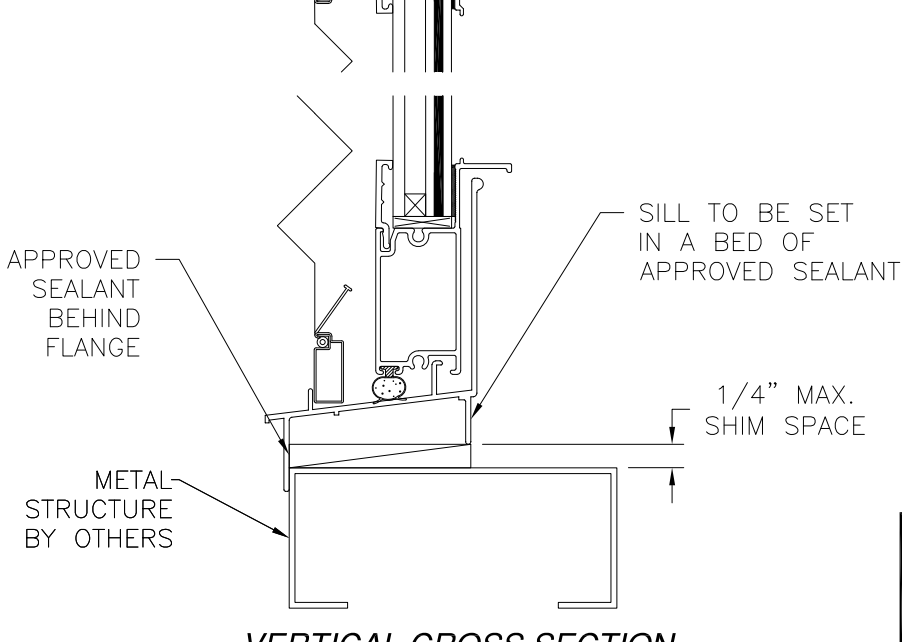
SIGNED: 03/26/2019



Luis R. Lomas P.E.
TX No.: 101889



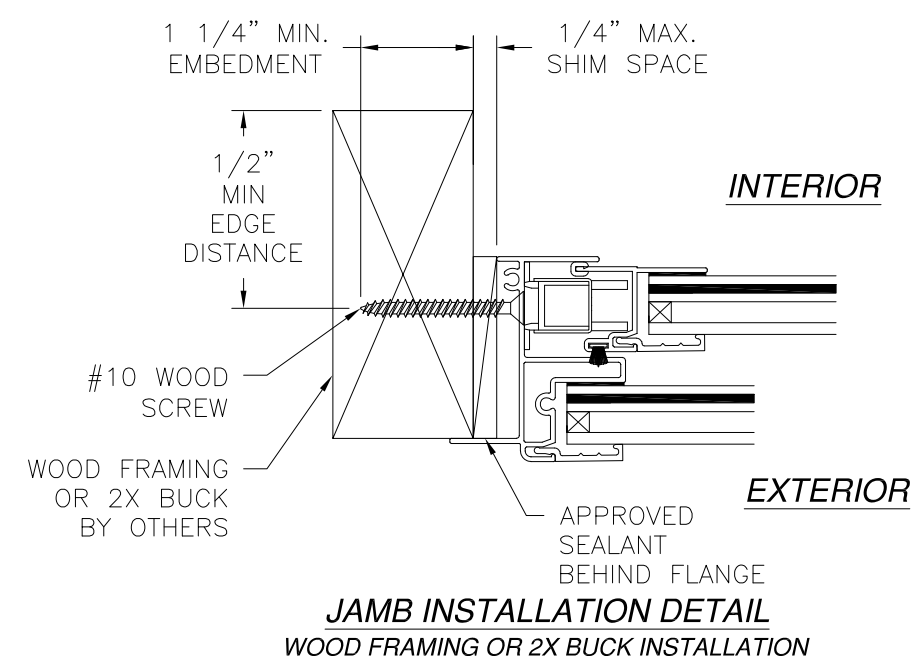
VERTICAL CROSS SECTION
WOOD FRAMING OR 2X BUCK INSTALLATION



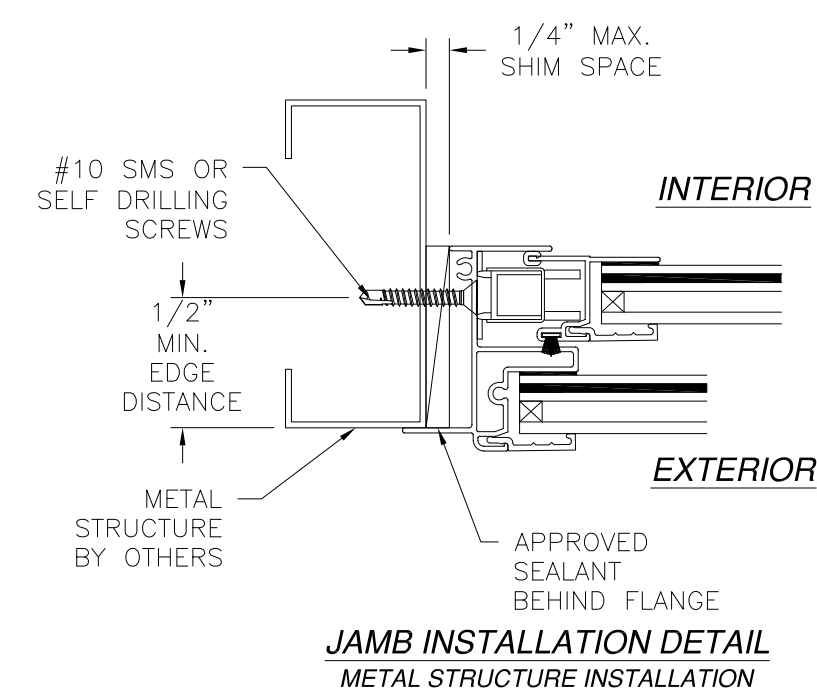
VERTICAL CROSS SECTION
METAL STRUCTURE INSTALLATION

NOTES:
1. INTERIOR AND EXTERIOR FINISHES, BY OTHERS, NOT SHOWN FOR CLARITY.
2. PERIMETER AND JOINT SEALANT BY OTHERS TO BE DESIGNED IN ACCORDANCE WITH ASTM E2112

REVISIONS			
REV	DESCRIPTION	DATE	APPROVED



JAMB INSTALLATION DETAIL
WOOD FRAMING OR 2X BUCK INSTALLATION



JAMB INSTALLATION DETAIL
METAL STRUCTURE INSTALLATION

SIGNED: 03/26/2019

MI WINDOW AND DOORS, LLC.
650 WEST MARKET STREET
GRATZ, PA 17030

SERIES 185 ALUMINUM SINGLE HUNG WINDOW
IMPACT 52" X 62"
FLANGE INSTALLATION DETAILS

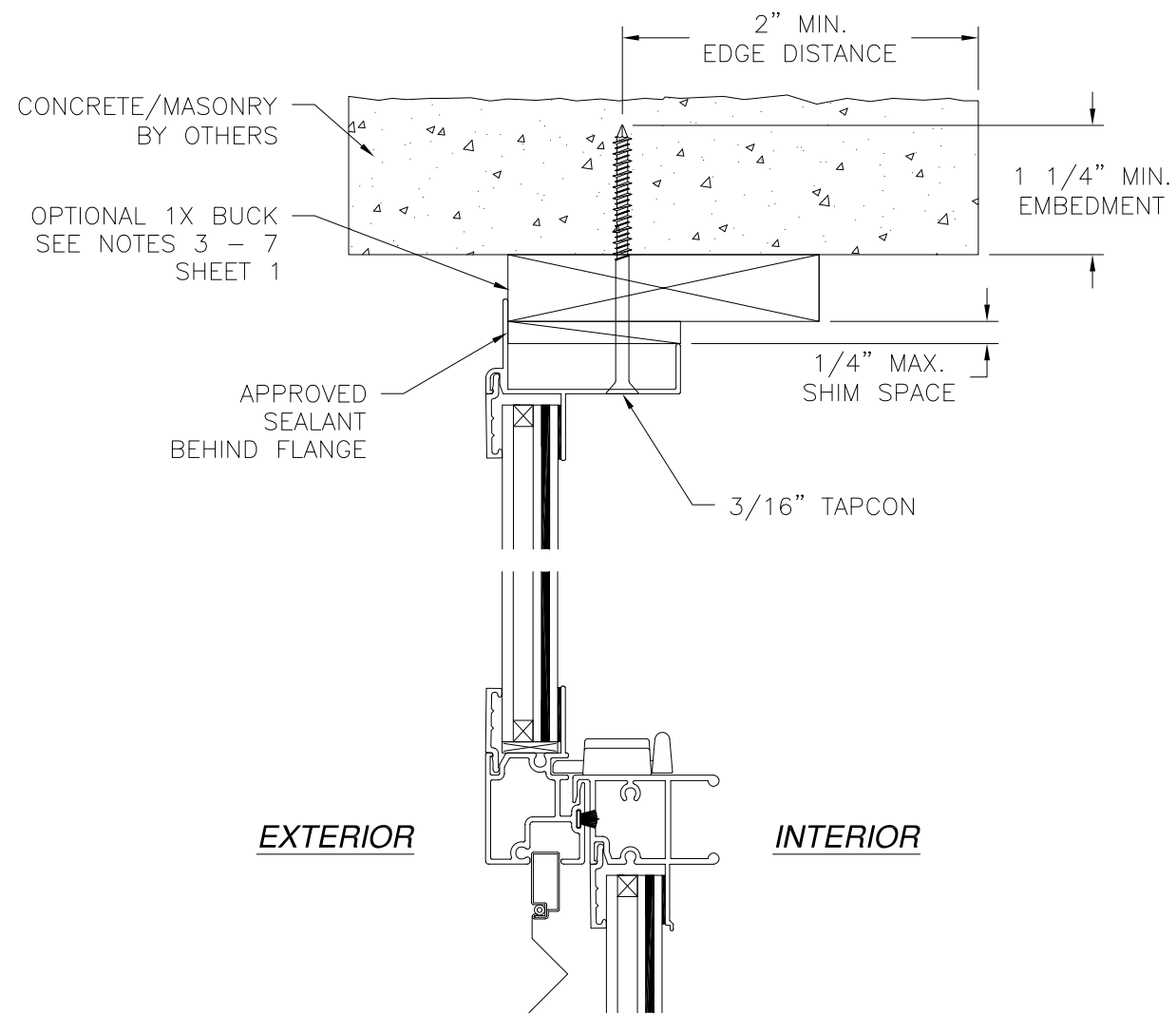
DRAWN: A.R.	DWG NO. 08-03390	REV -
SCALE NTS	DATE 03/12/19	SHEET 4 OF 10

L. ROBERTO LOMAS P.E.
1432 WOODFORD RD LEWISVILLE, NC 27023
434-688-0609 rllomas@lrlomaspe.com



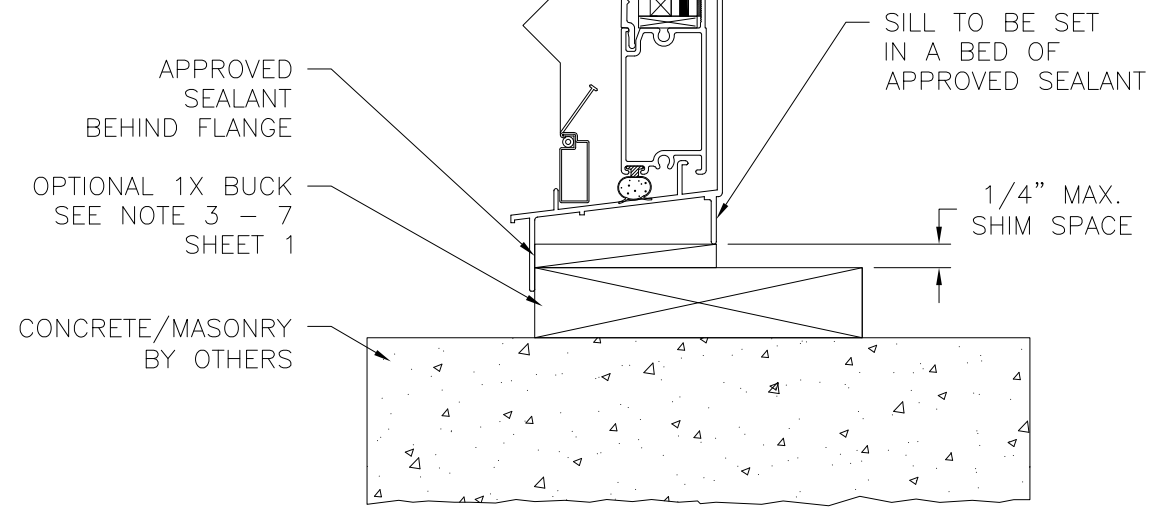
Luis R. Lomas P.E.
TX No.: 101889

REVISIONS			
REV	DESCRIPTION	DATE	APPROVED

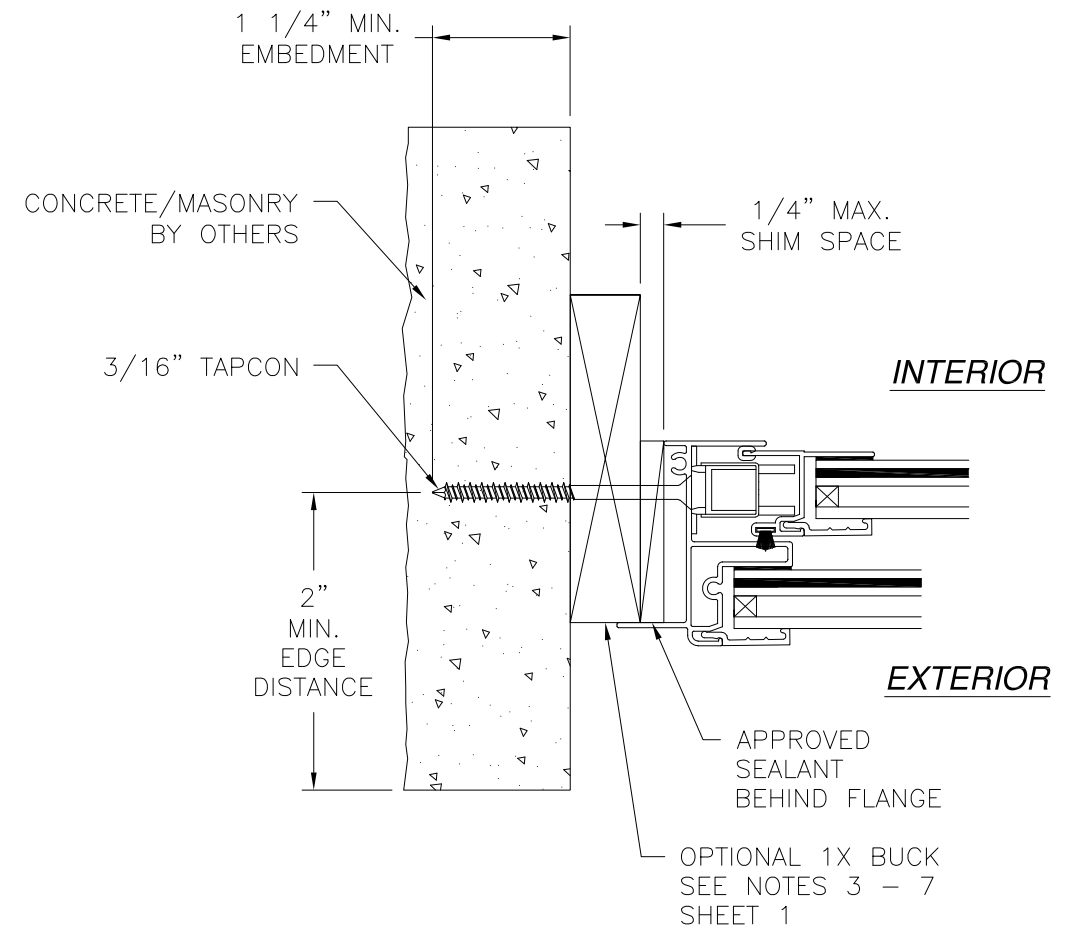


EXTERIOR

INTERIOR



VERTICAL CROSS SECTION
CONCRETE/MASONRY INSTALLATION



INTERIOR

EXTERIOR

JAMB INSTALLATION DETAIL
CONCRETE/MASONRY INSTALLATION

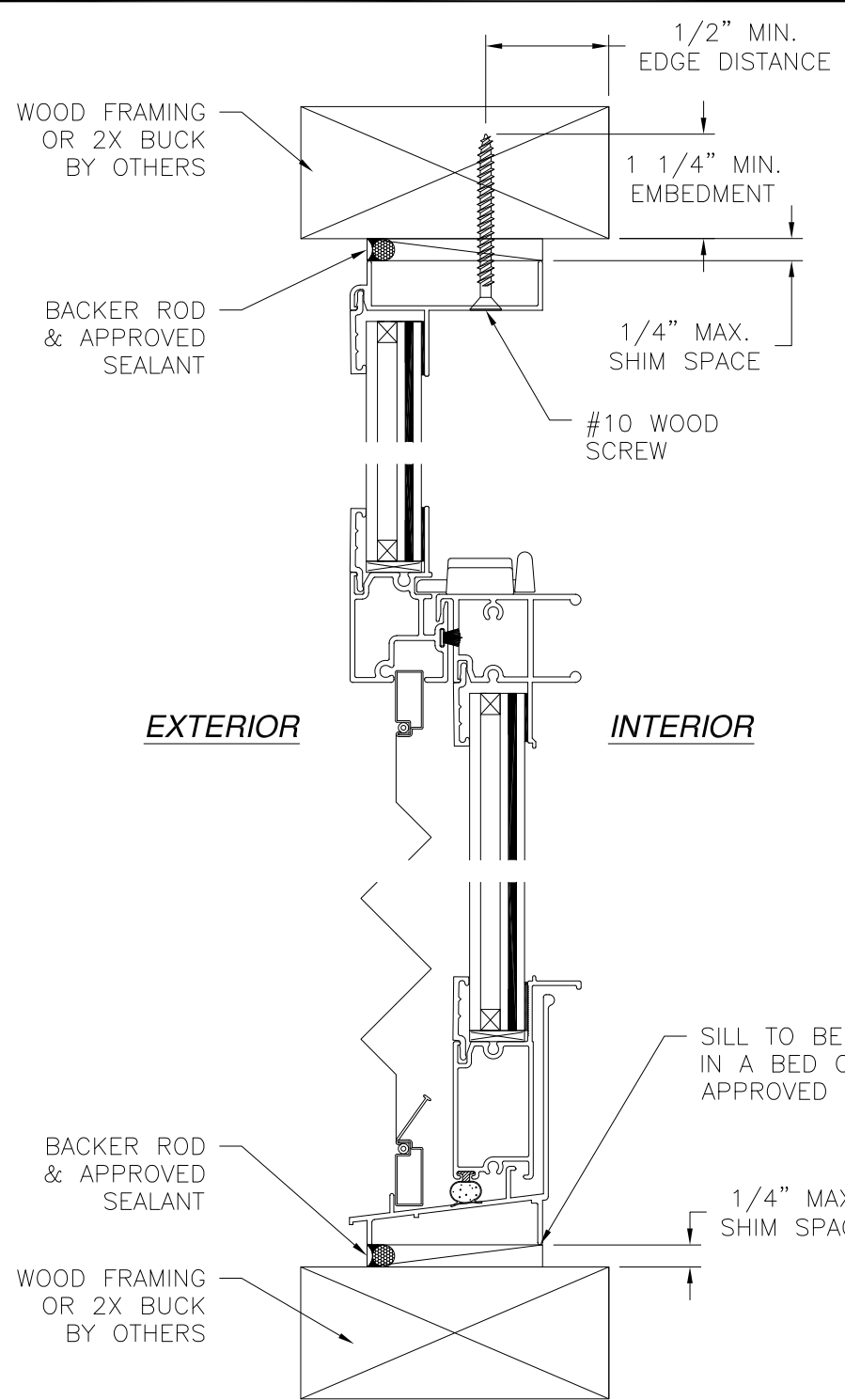
- NOTES:**
1. INTERIOR AND EXTERIOR FINISHES, BY OTHERS, NOT SHOWN FOR CLARITY.
 2. PERIMETER AND JOINT SEALANT BY OTHERS TO BE DESIGNED IN ACCORDANCE WITH ASTM E2112

SIGNED: 03/26/2019

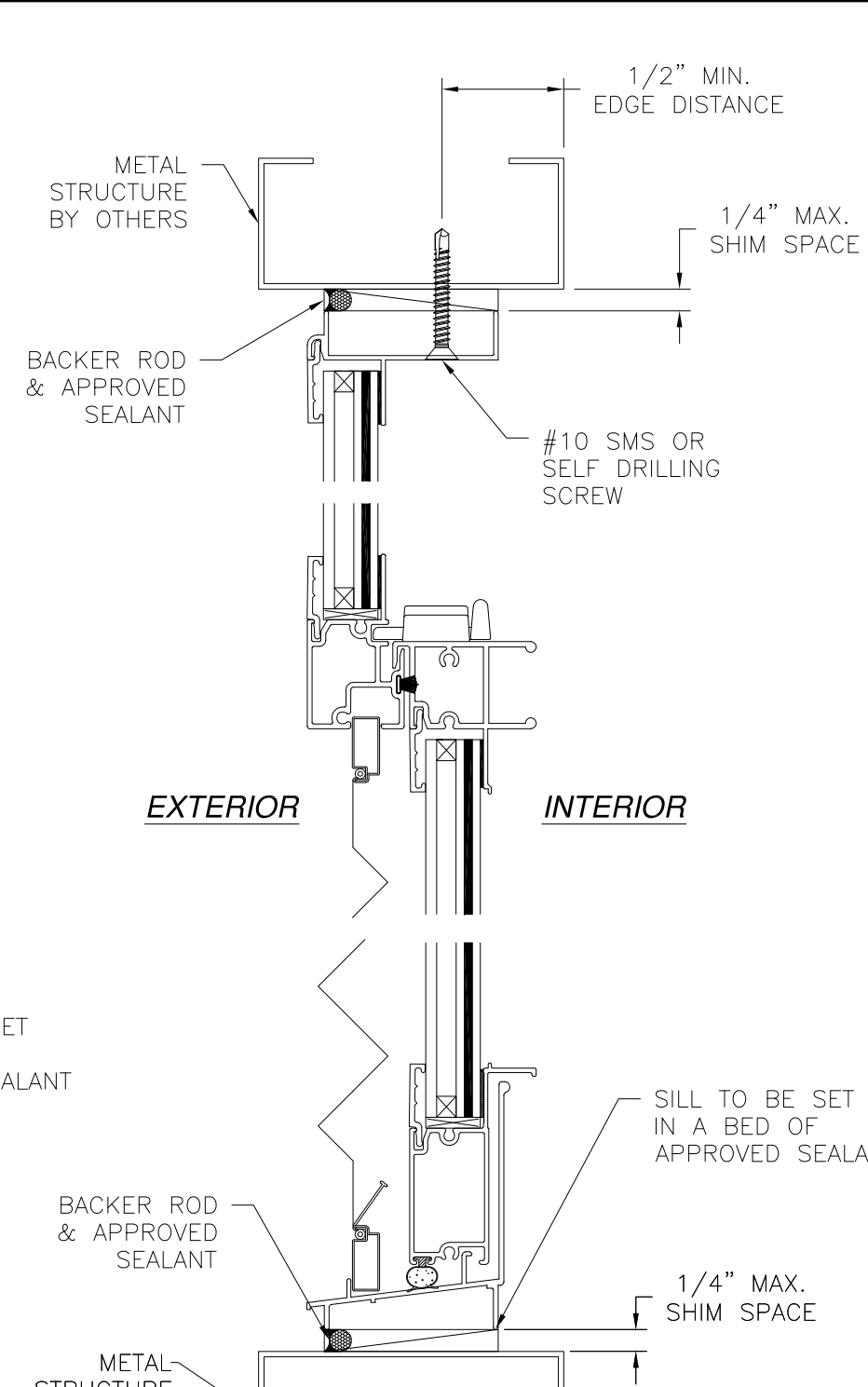
MI WINDOW AND DOORS, LLC. 650 WEST MARKET STREET GRATZ, PA 17030		
SERIES 185 ALUMINUM SINGLE HUNG WINDOW IMPACT 52" X 62" FLANGE INSTALLATION DETAILS		
DRAWN: A.R.	DWG NO. 08-03390	REV -
SCALE NTS	DATE 03/12/19	SHEET 5 OF 10
L. ROBERTO LOMAS P.E. 1432 WOODFORD RD LEWISVILLE, NC 27023 434-688-0609 rllomas@rlomaspe.com		



Luis R. Lomas P.E.
TX No.: 101889

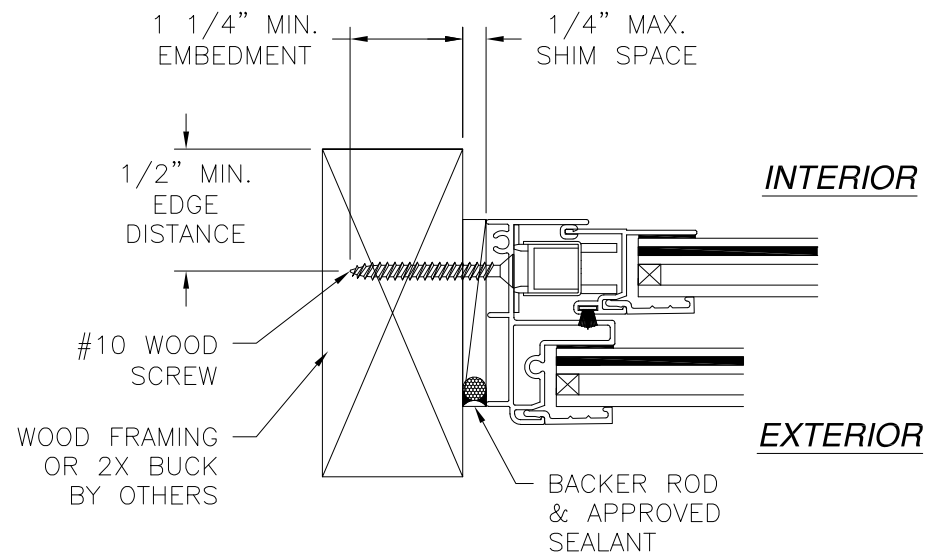


VERTICAL CROSS SECTION
WOOD FRAMING OR 2X BUCK INSTALLATION

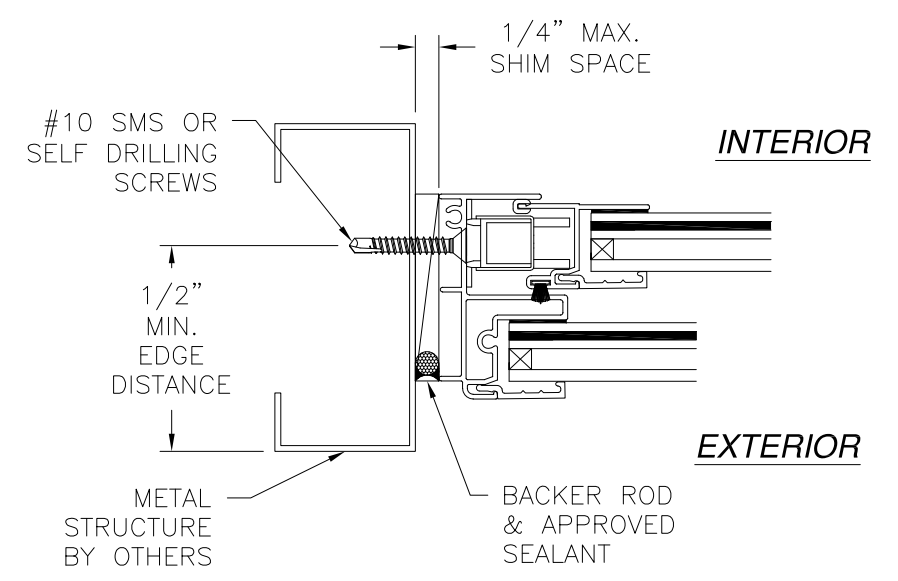


VERTICAL CROSS SECTION
METAL STRUCTURE INSTALLATION

REVISIONS			
REV	DESCRIPTION	DATE	APPROVED



JAMB INSTALLATION DETAIL
WOOD FRAMING OR 2X BUCK INSTALLATION



JAMB INSTALLATION DETAIL
METAL STRUCTURE INSTALLATION

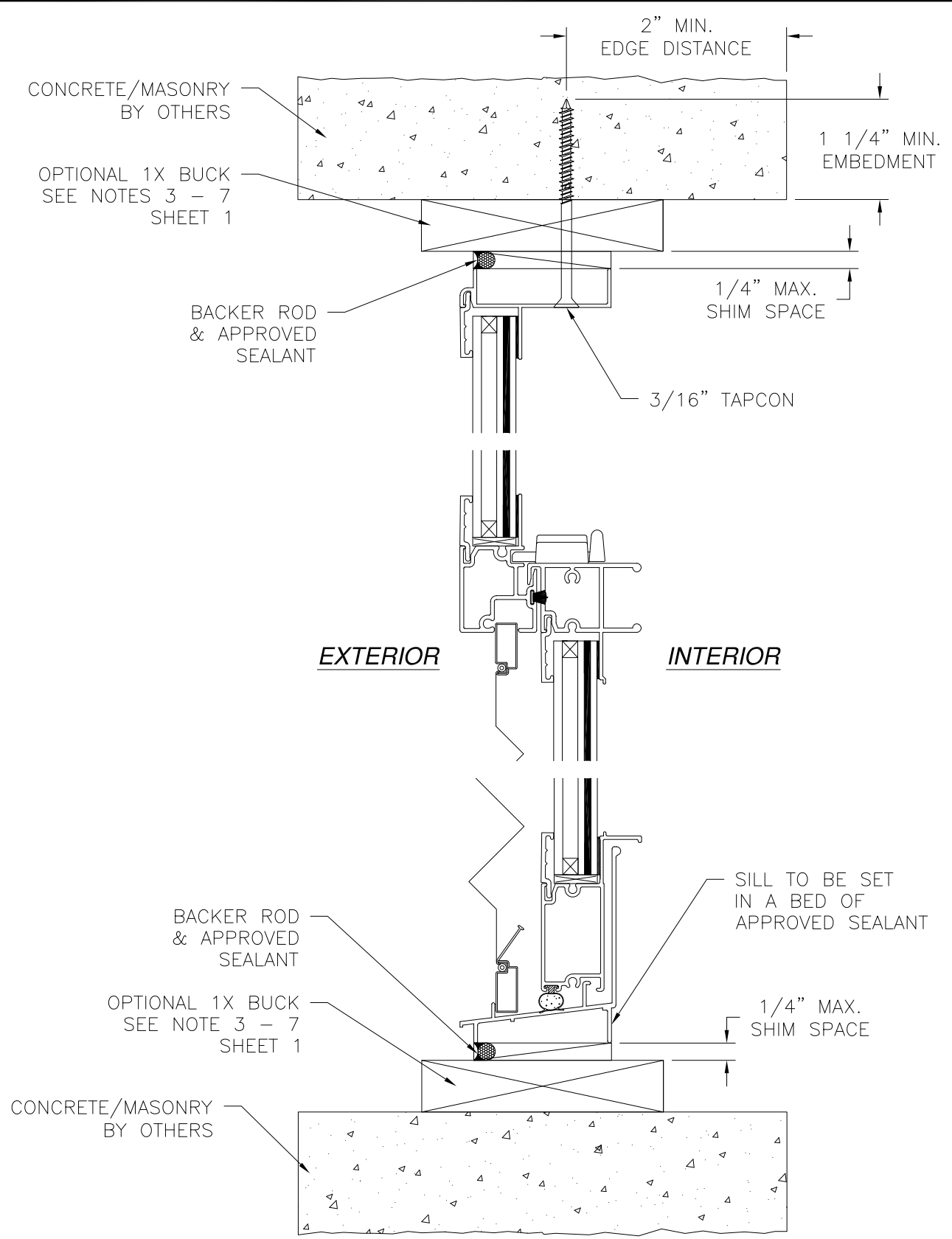
SIGNED: 03/26/2019

NOTES:
1. INTERIOR AND EXTERIOR FINISHES, BY OTHERS, NOT SHOWN FOR CLARITY.
2. PERIMETER AND JOINT SEALANT BY OTHERS TO BE DESIGNED IN ACCORDANCE WITH ASTM E2112

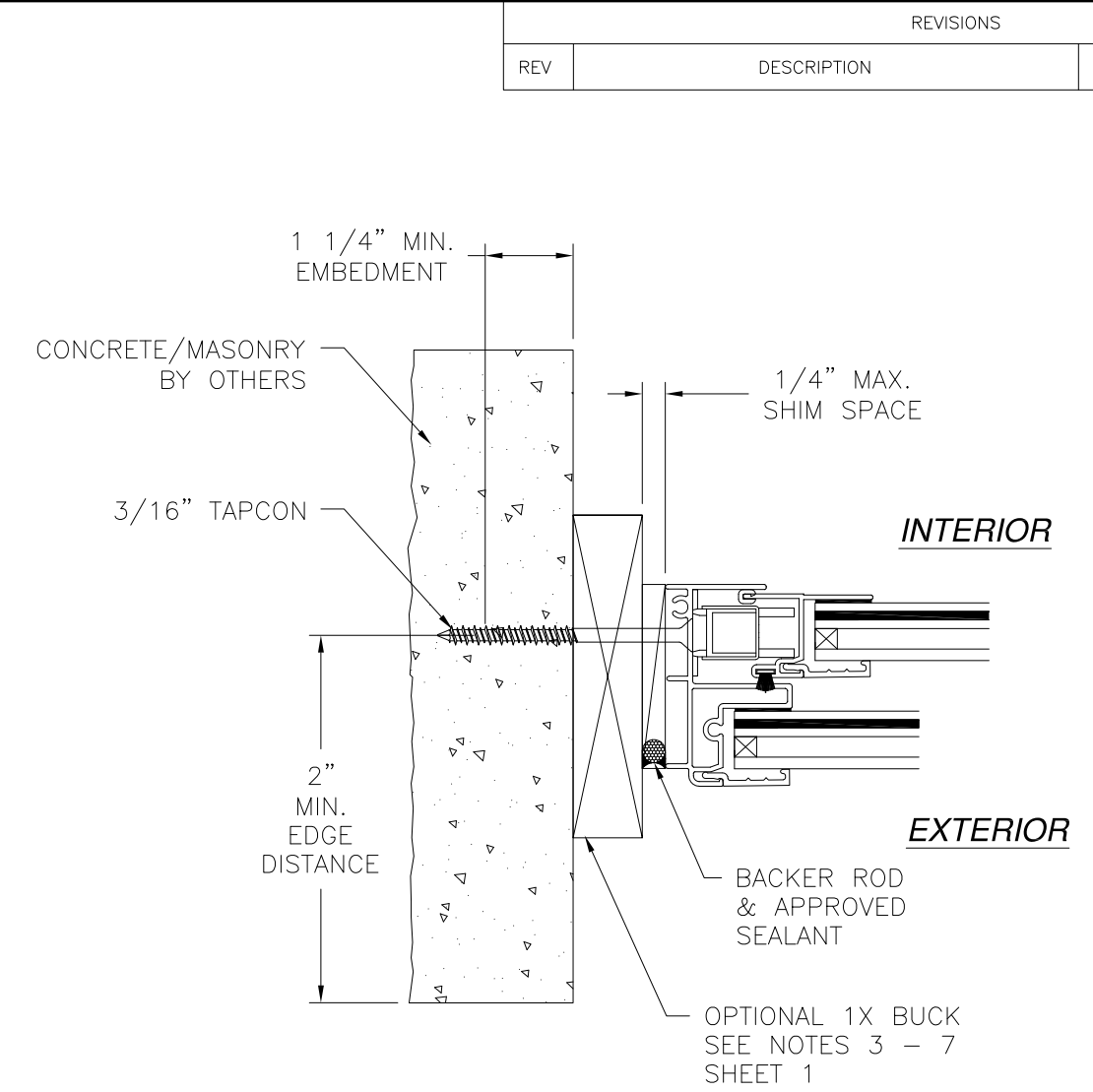
MI WINDOW AND DOORS, LLC. 650 WEST MARKET STREET GRATZ, PA 17030		
SERIES 185 ALUMINUM SINGLE HUNG WINDOW IMPACT 52" X 62" FINLESS INSTALLATION DETAILS		
DRAWN: A.R.	DWG NO. 08-03390	REV -
SCALE NTS	DATE 03/12/19	SHEET 6 OF 10
L. ROBERTO LOMAS P.E. 1432 WOODFORD RD LEWISVILLE, NC 27023 434-688-0609 rllomas@lrlomaspe.com		



Luis R. Lomas P.E.
TX No.: 101889



**VERTICAL CROSS SECTION
CONCRETE/MASONRY INSTALLATION**



**JAMB INSTALLATION DETAIL
CONCRETE/MASONRY INSTALLATION**

- NOTES:**
1. INTERIOR AND EXTERIOR FINISHES, BY OTHERS, NOT SHOWN FOR CLARITY.
 2. PERIMETER AND JOINT SEALANT BY OTHERS TO BE DESIGNED IN ACCORDANCE WITH ASTM E2112

REVISIONS			
REV	DESCRIPTION	DATE	APPROVED

SIGNED: 03/26/2019

MI WINDOW AND DOORS, LLC.
 650 WEST MARKET STREET
 GRATZ, PA 17030

SERIES 185 ALUMINUM SINGLE HUNG WINDOW
 IMPACT 52" X 62"
 FINLESS INSTALLATION DETAILS

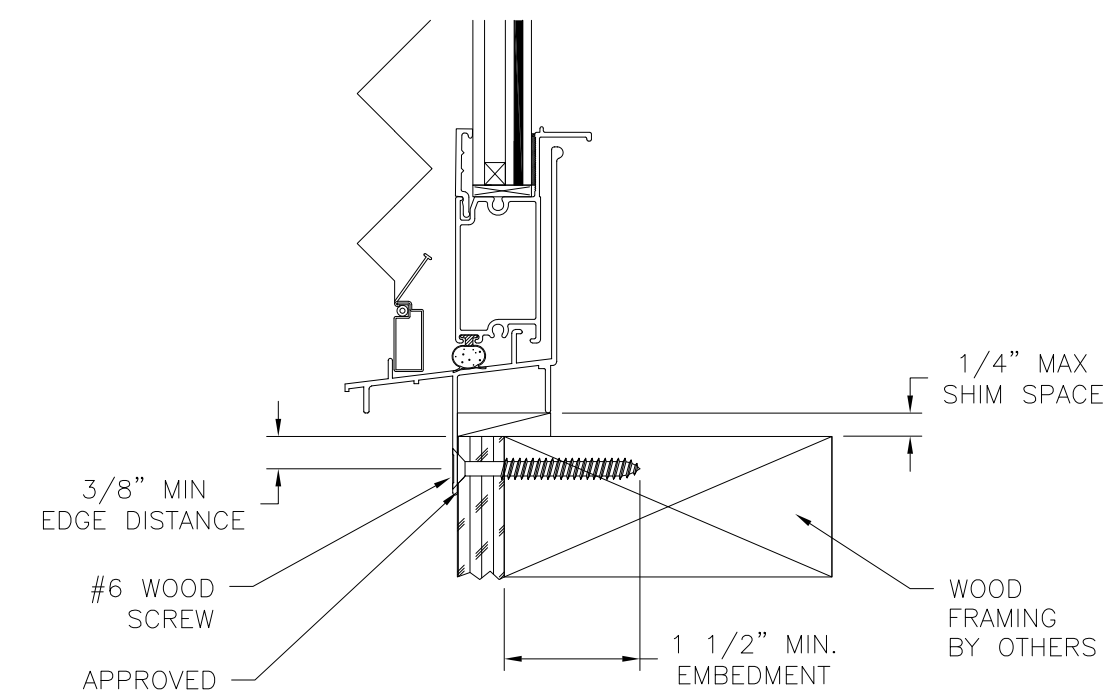
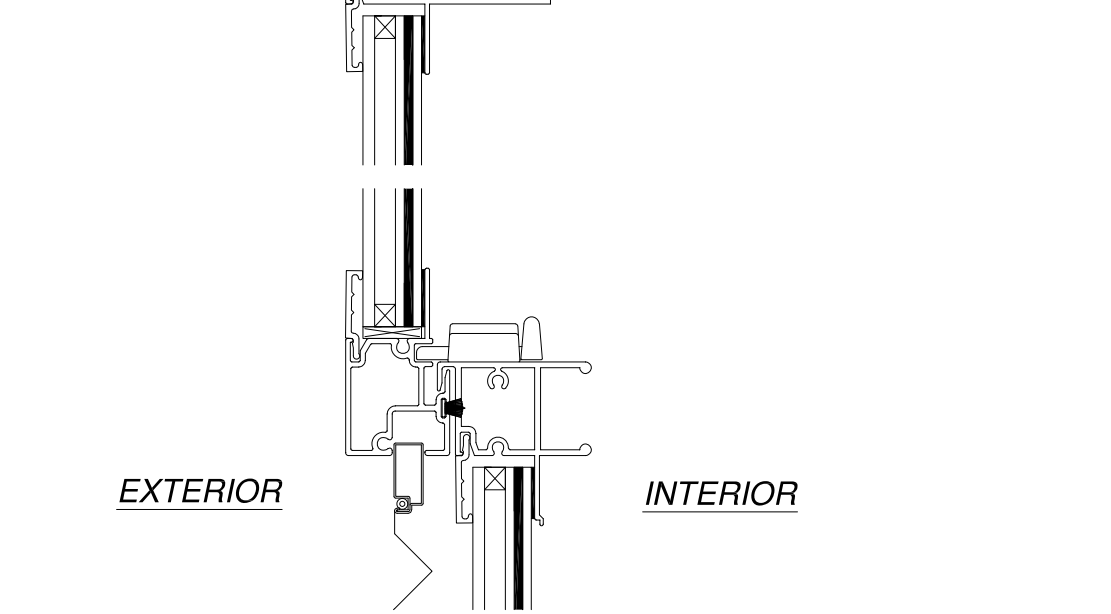
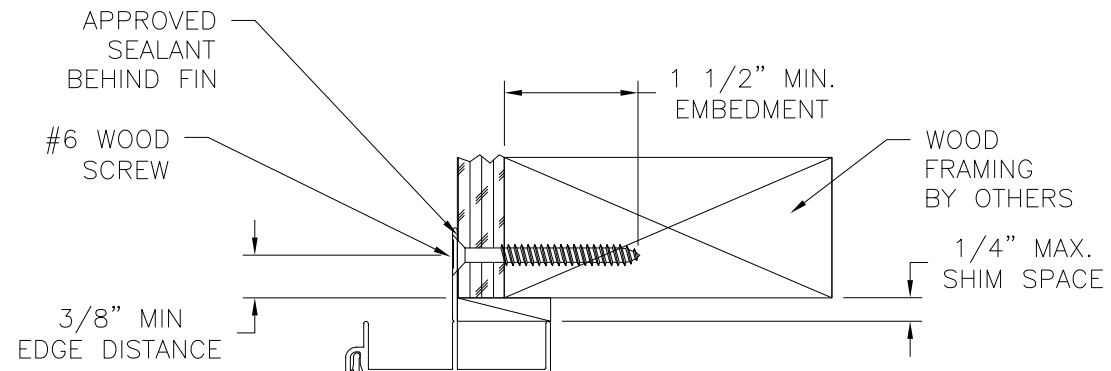
DRAWN: A.R.	DWG NO. 08-03390	REV -
SCALE NTS	DATE 03/12/19	SHEET 7 OF 10

L. ROBERTO LOMAS P.E.
 1432 WOODFORD RD LEWISVILLE, NC 27023
 434-688-0609 rllomas@rlomaspe.com

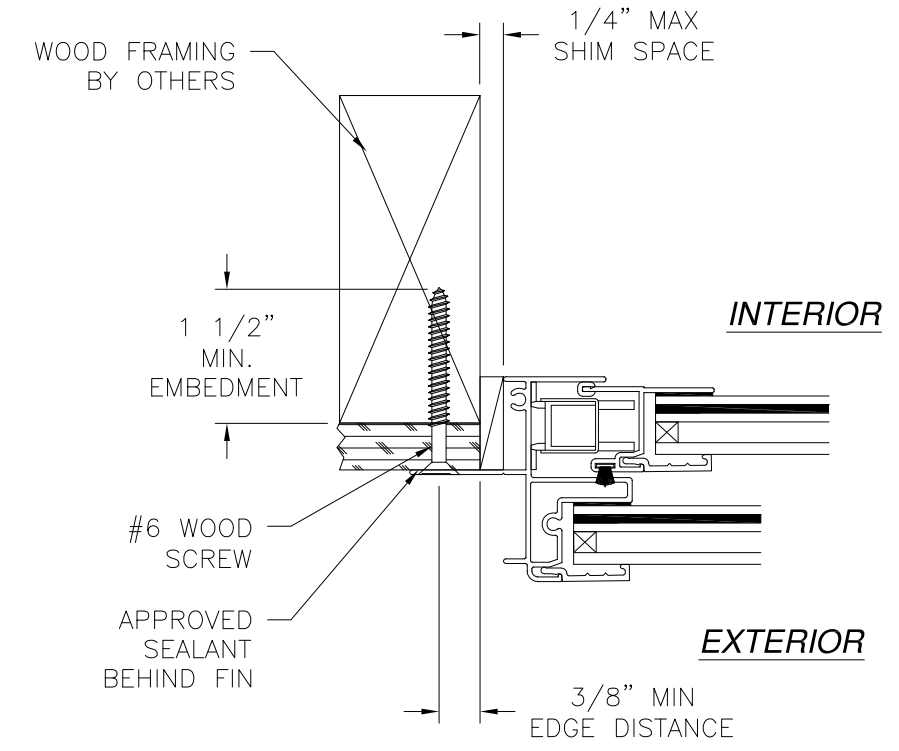


Luis R. Lomas P.E.
 TX No.: 101889

REVISIONS			
REV	DESCRIPTION	DATE	APPROVED



VERTICAL CROSS SECTION
WOOD FRAMING OR 2X BUCK INSTALLATION



JAMB INSTALLATION DETAIL
WOOD FRAMING OR 2X BUCK INSTALLATION

- NOTES:**
1. INTERIOR AND EXTERIOR FINISHES, BY OTHERS, NOT SHOWN FOR CLARITY.
 2. PERIMETER AND JOINT SEALANT BY OTHERS TO BE DESIGNED IN ACCORDANCE WITH ASTM E2112

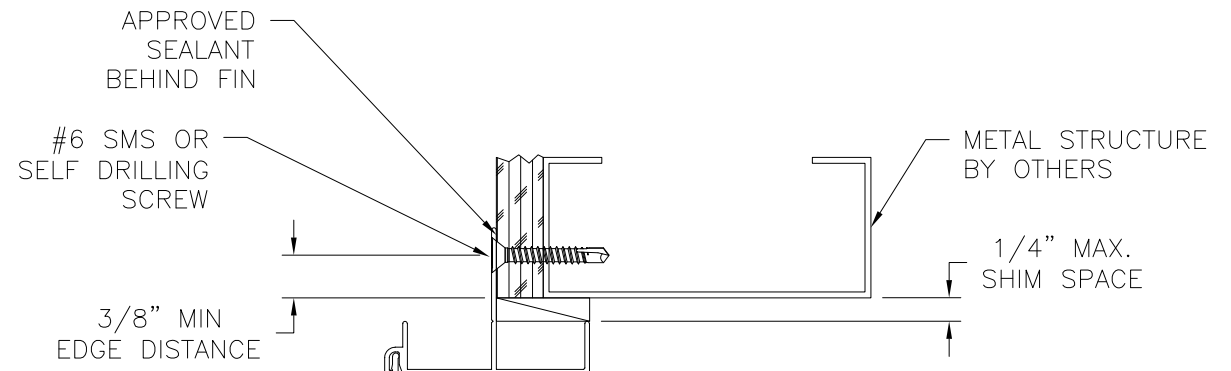
SIGNED: 03/26/2019

MI WINDOW AND DOORS, LLC. 650 WEST MARKET STREET GRATZ, PA 17030		
SERIES 185 ALUMINUM SINGLE HUNG WINDOW IMPACT 52" X 62" FIN INSTALLATION DETAILS		
DRAWN: A.R.	DWG NO. 08-03390	REV -
SCALE NTS	DATE 03/12/19	SHEET 8 OF 10
L. ROBERTO LOMAS P.E. 1432 WOODFORD RD LEWISVILLE, NC 27023 434-688-0609 rllomas@rlomaspe.com		



Luis R. Lomas P.E.
TX No.: 101889

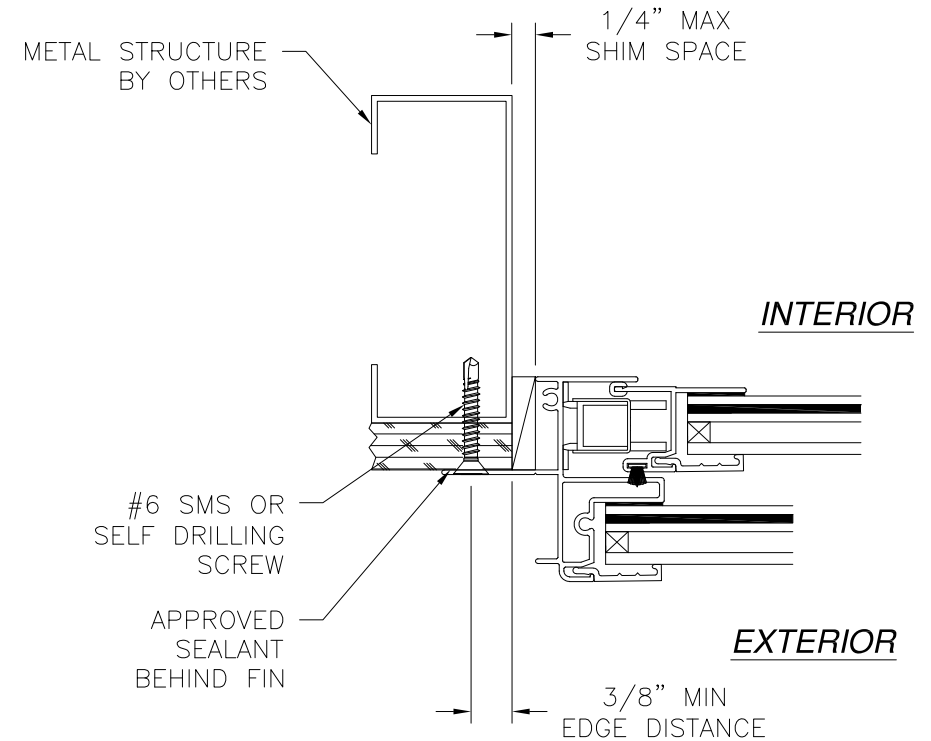
REVISIONS			
REV	DESCRIPTION	DATE	APPROVED



EXTERIOR

INTERIOR

**VERTICAL CROSS SECTION
METAL STRUCTURE INSTALLATION**

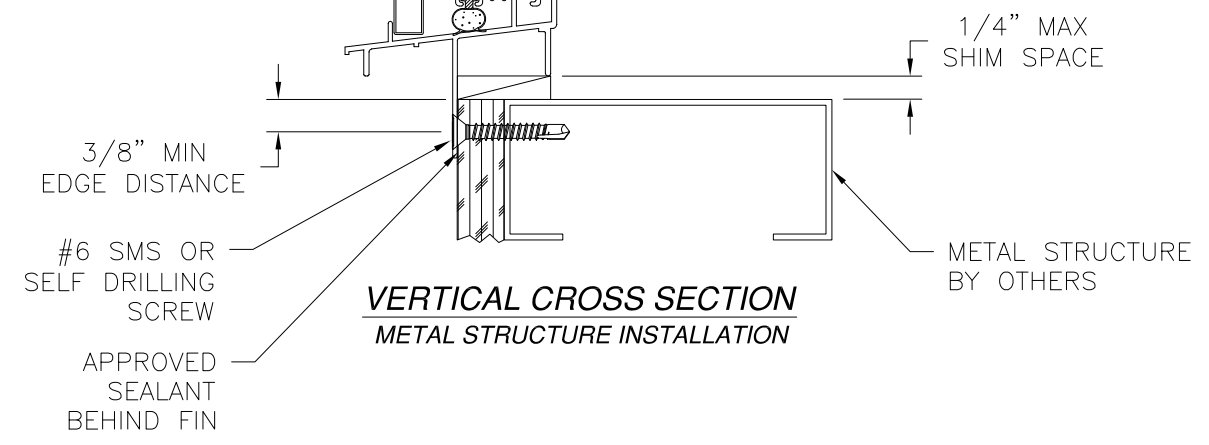


INTERIOR

EXTERIOR

**JAMB INSTALLATION DETAIL
METAL STRUCTURE INSTALLATION**

- NOTES:**
1. INTERIOR AND EXTERIOR FINISHES, BY OTHERS, NOT SHOWN FOR CLARITY.
 2. PERIMETER AND JOINT SEALANT BY OTHERS TO BE DESIGNED IN ACCORDANCE WITH ASTM E2112



3/8" MIN
EDGE DISTANCE

#6 SMS OR
SELF DRILLING
SCREW

APPROVED
SEALANT
BEHIND FIN

1/4" MAX
SHIM SPACE

METAL STRUCTURE
BY OTHERS

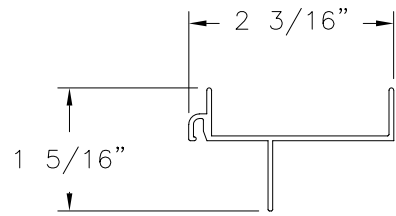
MI WINDOW AND DOORS, LLC. 650 WEST MARKET STREET GRATZ, PA 17030		
SERIES 185 ALUMINUM SINGLE HUNG WINDOW IMPACT 52" X 62" FIN INSTALLATION DETAILS		
DRAWN: A.R.	DWG NO. 08-03390	REV -
SCALE NTS	DATE 03/12/19	SHEET 9 OF 10
L. ROBERTO LOMAS P.E. 1432 WOODFORD RD LEWISVILLE, NC 27023 434-688-0609 rllomas@rlomaspe.com		

SIGNED: 03/26/2019

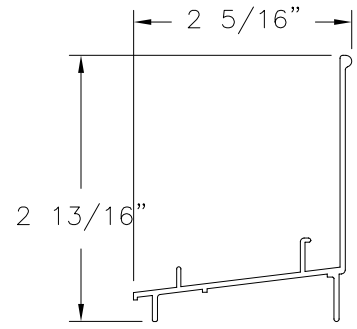


Luis R. Lomas P.E.
TX No.: 101889

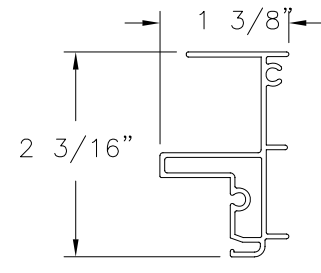
REVISIONS			
REV	DESCRIPTION	DATE	APPROVED



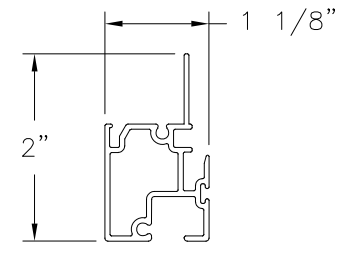
FINLESS FRAME HEAD
CM-18553
ALUMINUM 6063-T5 .050" THICK



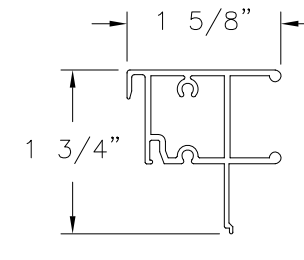
FINLESS FRAME SILL
CM-18554
ALUMINUM 6063-T5 .055" THICK



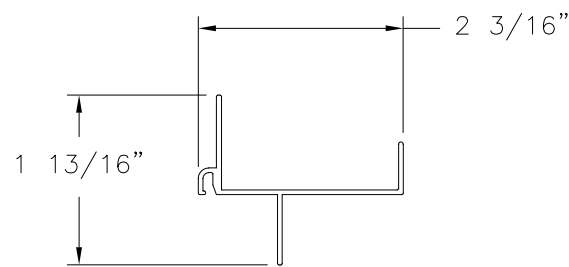
FINLESS FRAME JAMB
CM-18513
ALUMINUM 6063-T5 .050" THICK



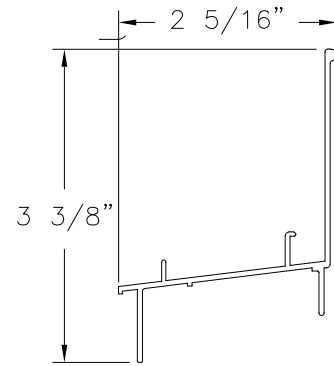
MEETING RAIL
CM-18504
ALUMINUM 6063-T5 .055" THICK



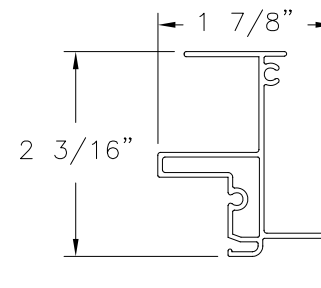
LOCK RAIL/STILE
CM-18505
ALUMINUM 6063-T5 .062" THICK



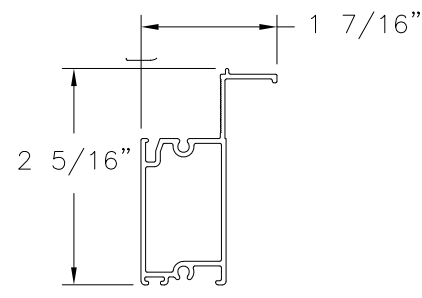
FLANGE FRAME HEAD
CM-18501
ALUMINUM 6063-T5 .050" THICK



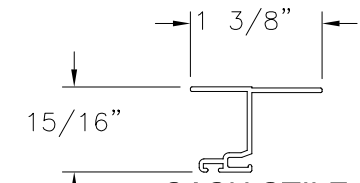
FLANGE FRAME SILL
CM-18502
ALUMINUM 6063-T5 .055" THICK



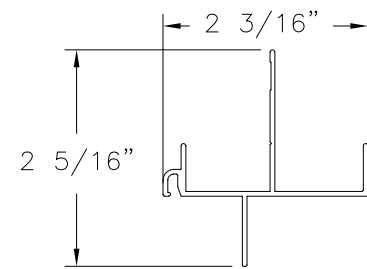
FLANGE FRAME JAMB
CM-18503
ALUMINUM 6063-T5 .050" THICK



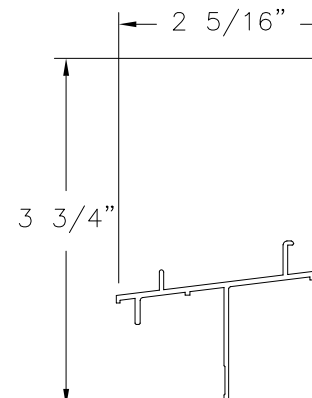
SASH BOTTOM RAIL
CM-18555
ALUMINUM 6063-T5 .050" THICK



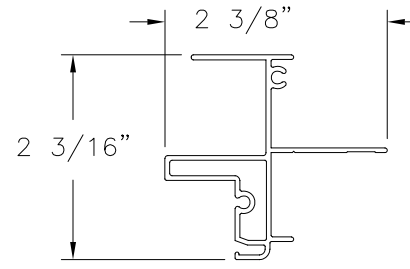
SASH STILE
CM-18507
ALUMINUM 6063-T5 .050" THICK



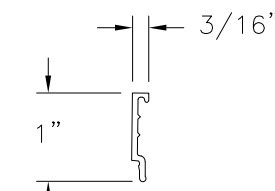
FIN FRAME HEAD
CM-18508
ALUMINUM 6063-T5 .050" THICK



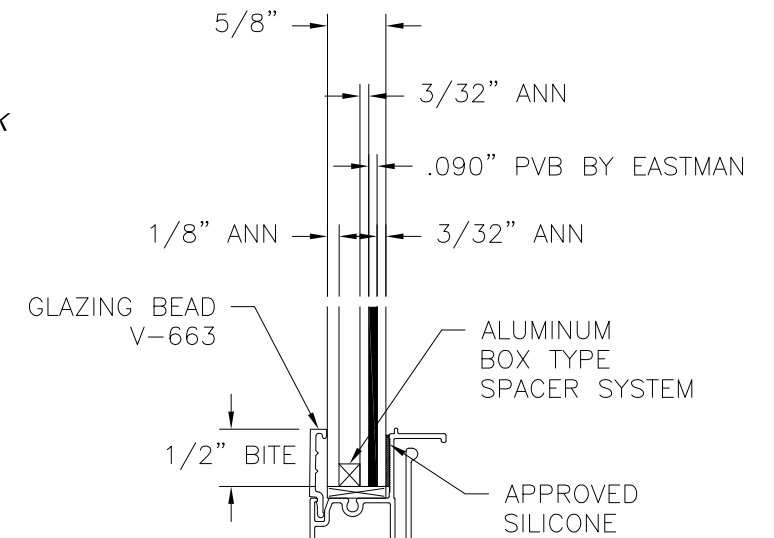
FIN FRAME SILL
CM-18509
ALUMINUM 6063-T5 .055" THICK



FIN FRAME JAMB
CM-18510
ALUMINUM 6063-T5 .050" THICK



GLAZING BEAD
V-663
RIGID PVC .070" THICK



GLAZING DETAIL

SIGNED: 03/26/2019

MI WINDOW AND DOORS, LLC.

650 WEST MARKET STREET
GRATZ, PA 17030

SERIES 185 ALUMINUM SINGLE HUNG WINDOW
IMPACT 52" X 62"
COMPONENTS AND GLAZING DETAIL

DRAWN: A.R.	DWG NO. 08-03390	REV -
SCALE NTS	DATE 03/12/19	SHEET 10 OF 10

L. ROBERTO LOMAS P.E.
1432 WOODFORD RD LEWISVILLE, NC 27023
434-688-0609 rllomas@rlomaspe.com



Luis R. Lomas P.E.
TX No.: 101889