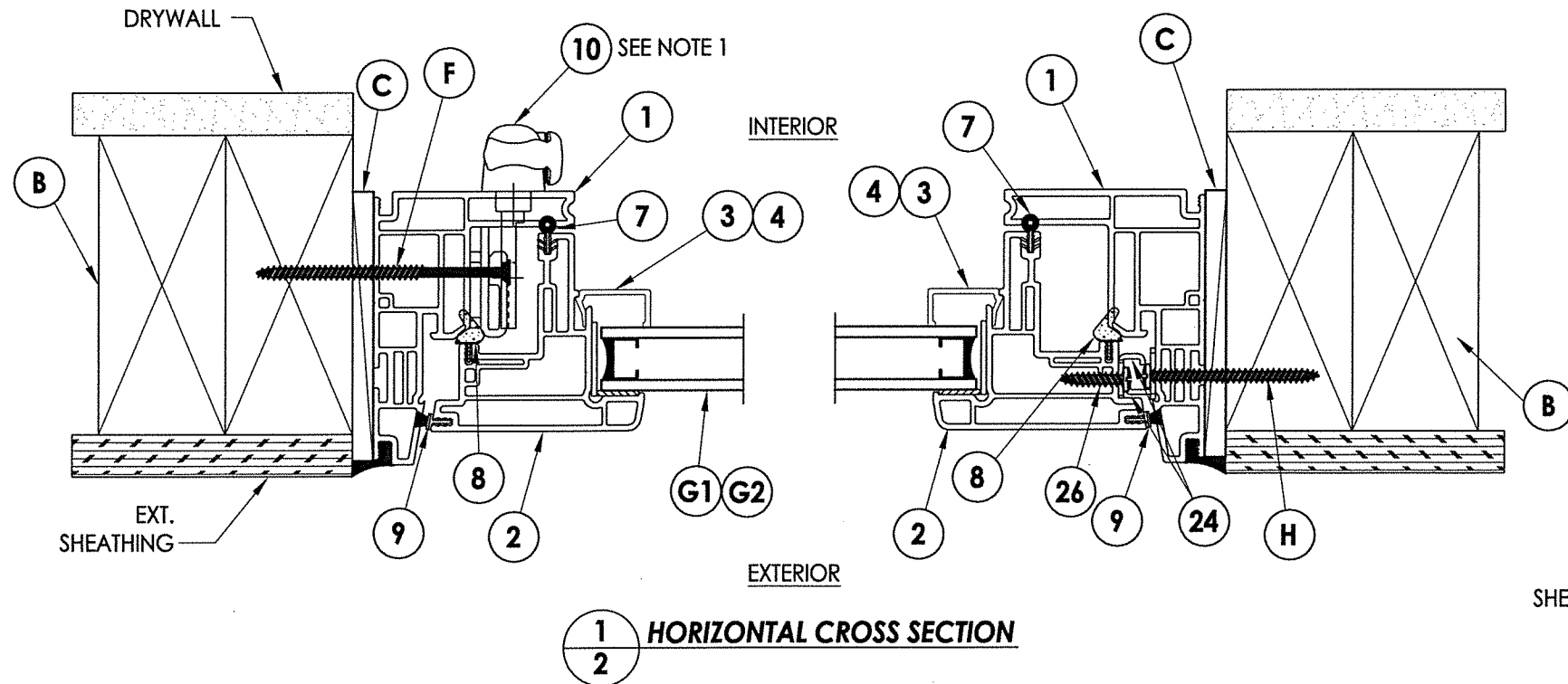
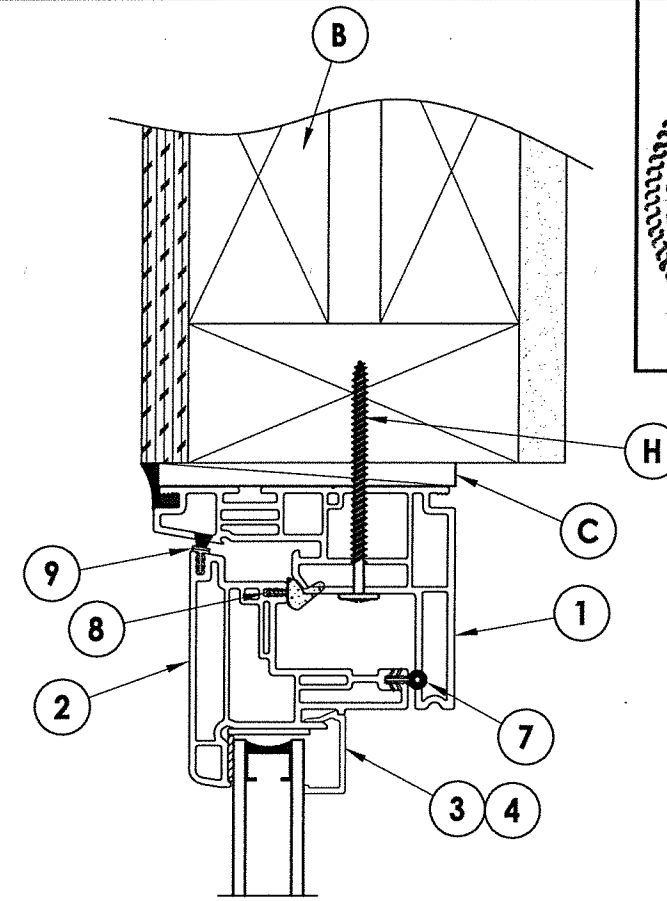


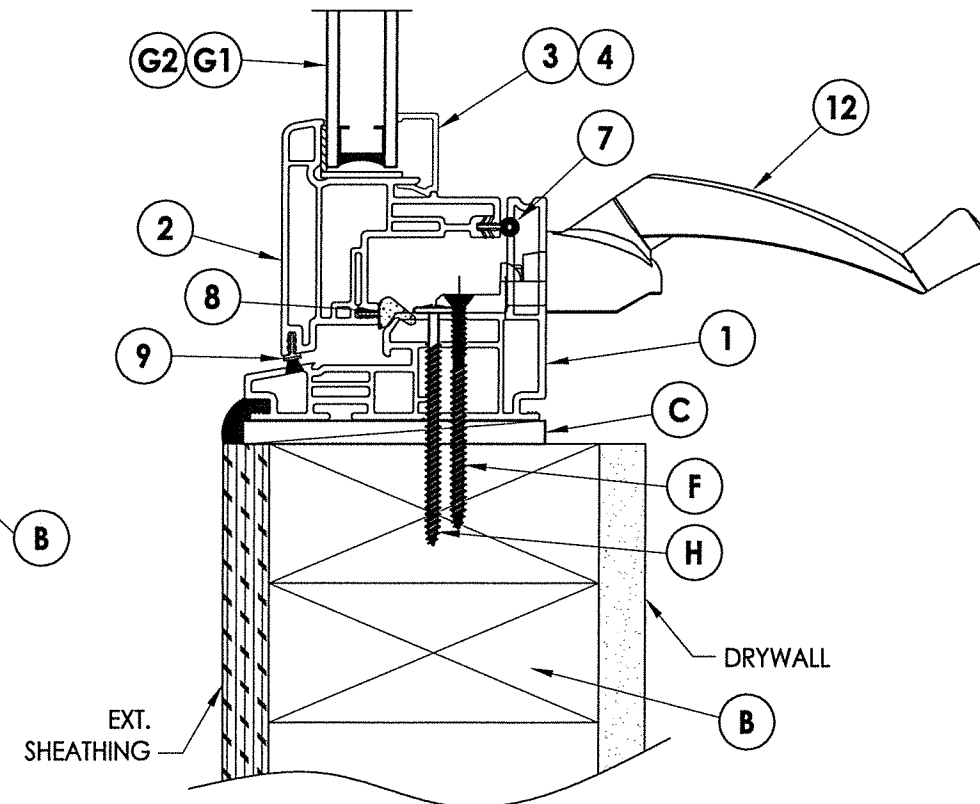
NOTE:
1. Multi-point locks/keepers (4) located at 5.5", 27.5", 50.5" and 73.5" from the bottom of sash.



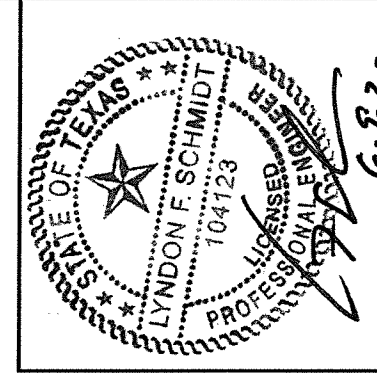
1
2 HORIZONTAL CROSS SECTION



EXTERIOR INTERIOR



2
2 VERTICAL CROSS SECTION



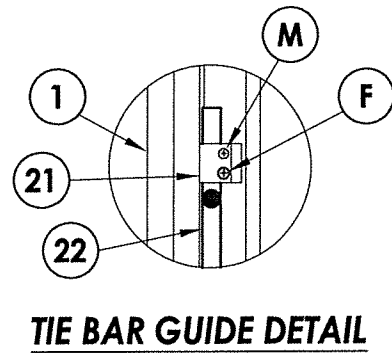
Documents Prepared By: Lyndon F. Schmidt, P.E.
TEXAS P.E. #104123

RW BUILDING CONSULTANTS, INC.
P.O. Box 230 Valrico FL 33595
Phone No.: 813.659.9197
TEXAS BOARD OF PROFESSIONAL ENGINEERS
CERTIFICATE OF REGISTRATION # F-11852

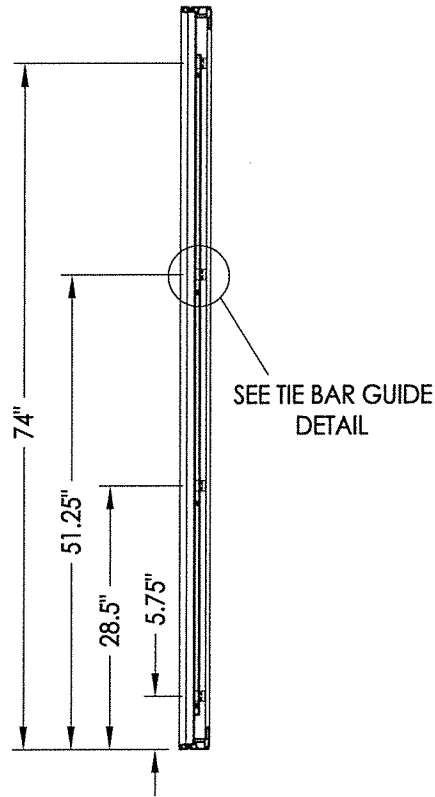
PRODUCT: Vinyl Outswing Casement Window
PART OR ASSEMBLY: HORIZONTAL & VERTICAL CROSS SECTIONS

NO.	DATE	REVISIONS
1	3/23/20	UPDATE TO 2018 IBC/IRC
		LFS BY

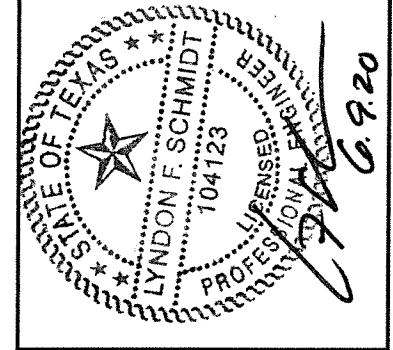
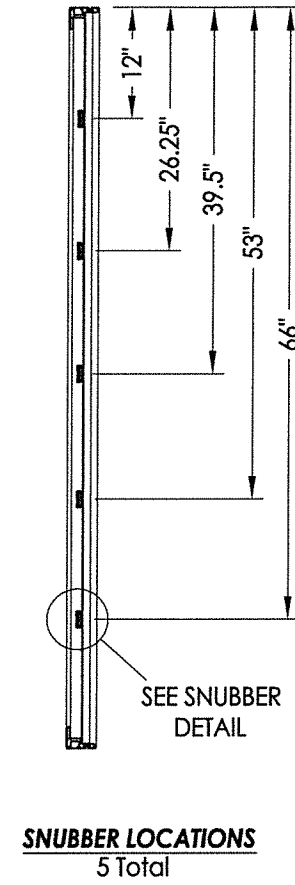
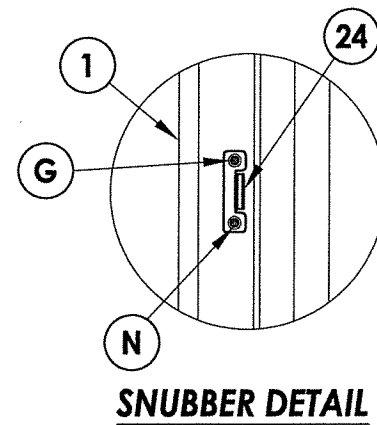
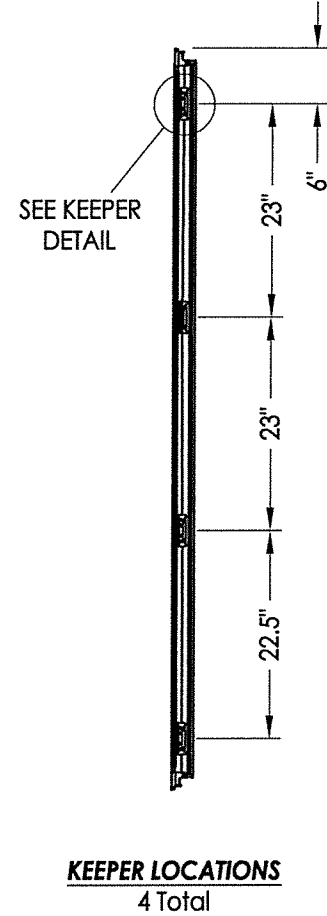
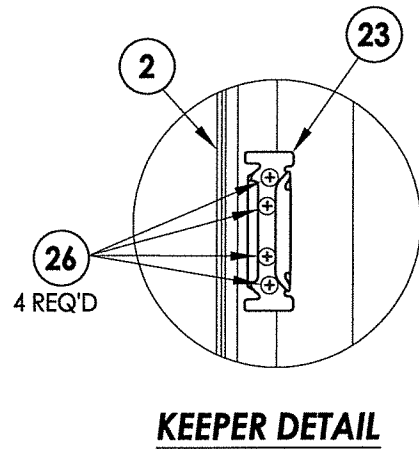
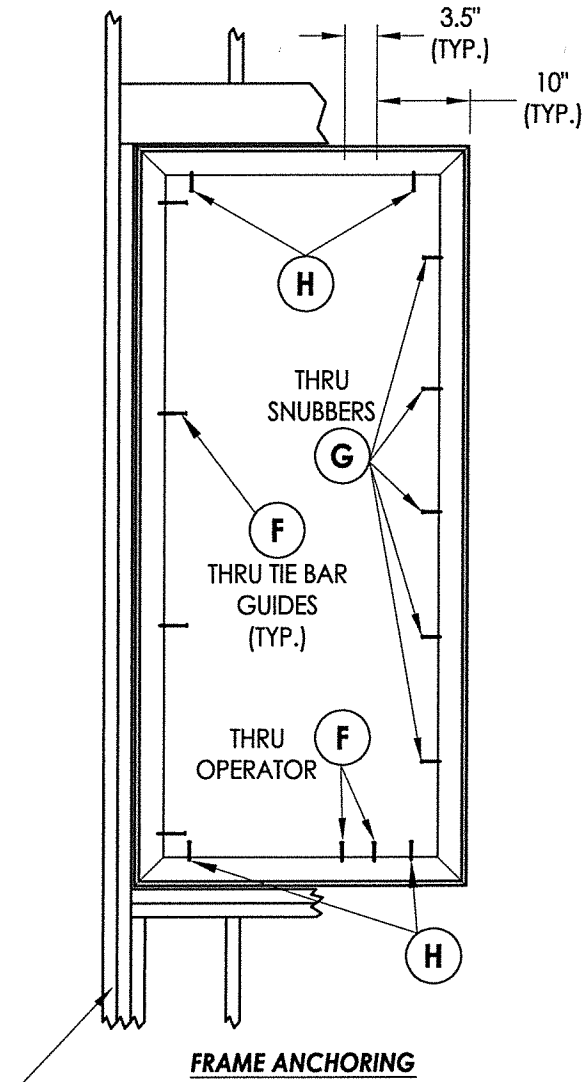
DATE: 8/13/14
SCALE: N.T.S.
DWG. BY: JK
CHK. BY: LFS
DRAWING NO.: TX-4454
SHEET 2 of 4



TIE BAR GUIDE LOCATIONS
4 Total



2x framing to be designed by the engineer or architect of record based on wind loads and the cladding being used.



Documents Prepared By: Lyndon F. Schmidt, P.E.
TEXAS P.E. #104123

R.W. BUILDING CONSULTANTS, INC.
P.O. Box 230 Valrico FL, 33595
Phone No.: 813.659.9197

TEXAS BOARD OF PROFESSIONAL ENGINEERS
CERTIFICATE OF REGISTRATION # F-11852

PRODUCT: Vinyl Outswing Casement Window

PART OR ASSEMBLY: FRAME ANCHORING

NO.	DATE	REVISIONS
1	3/23/20	UPDATE TO 2018 IBC/IRC
		LFS
		BY

DATE: 8/13/14

SCALE: N.T.S.

DWG. BY: JK

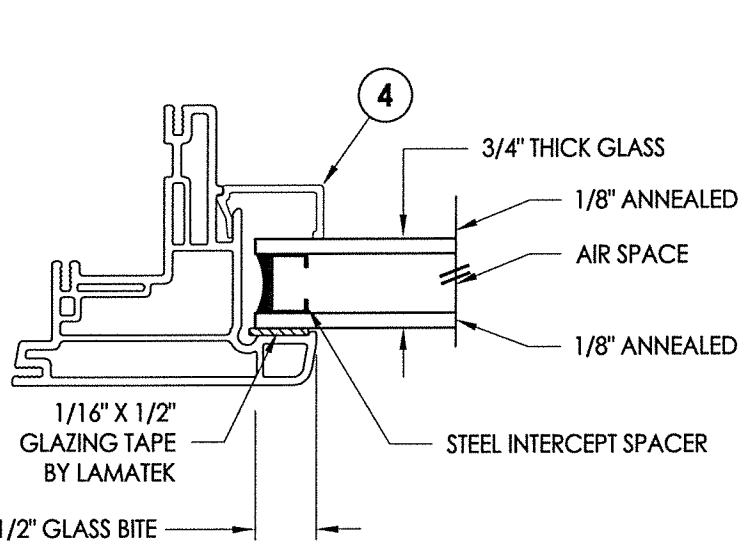
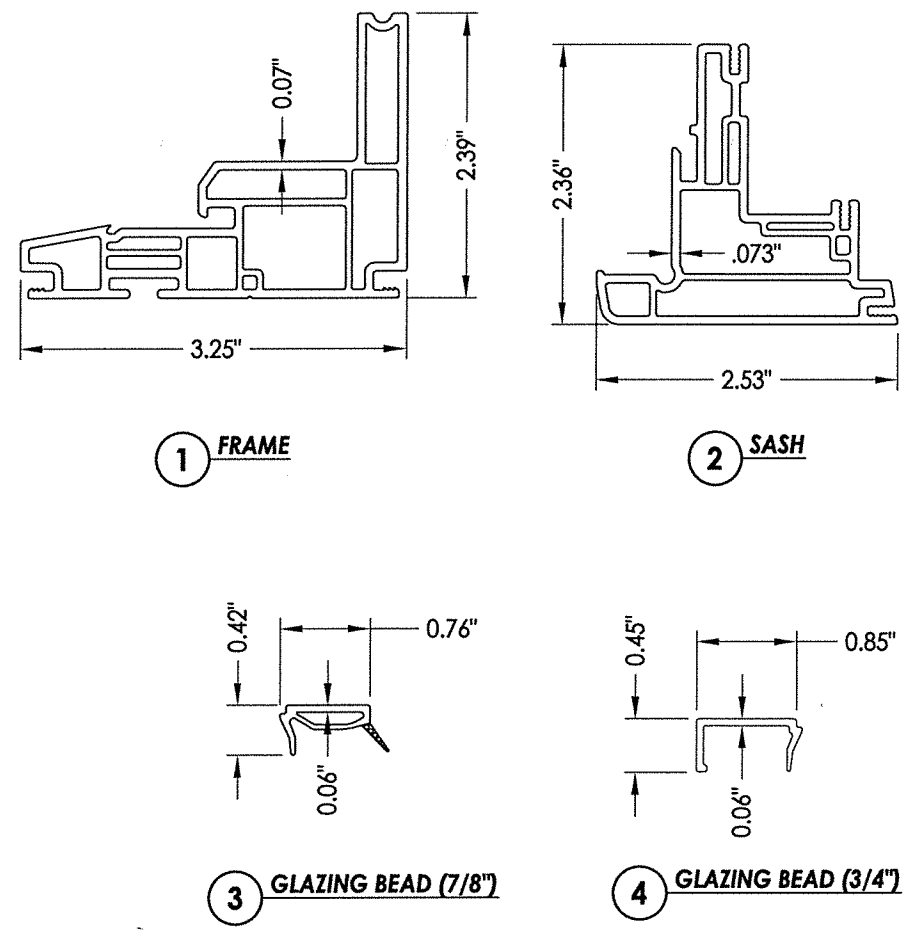
CHK. BY: LFS

DRAWING NO.: TX-4454

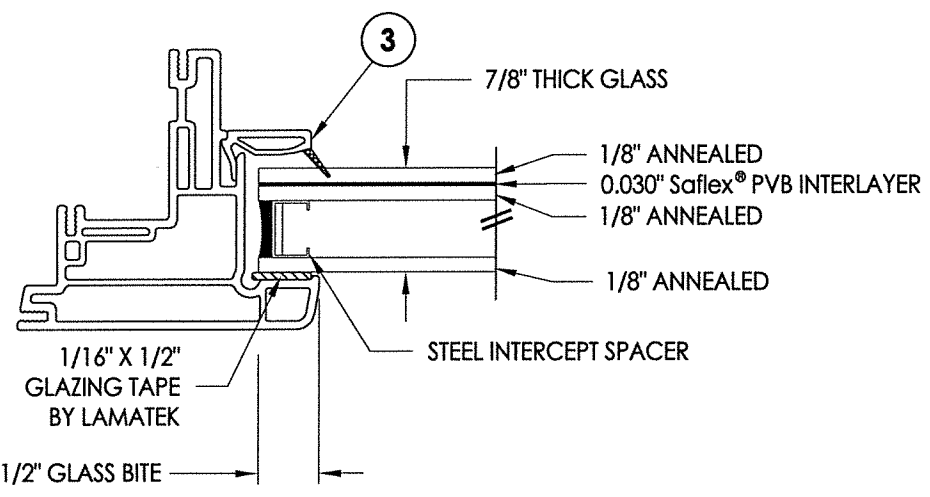
SHEET 3 OF 4

BILL OF MATERIALS		
ITEM #	DESCRIPTION	MATERIAL
B	2X FRAMING (SG >= 0.42)	WOOD
C	1/4" MAX. SHIM SPACE	-
F	#8 X 3" FH WOOD SCREW (1-1/4" MIN. EMB. @ JAMB, 7/8" @ SILL)	STEEL
G	#8 X 2" PH WOOD SCREW (1-1/8" MIN. EMBEDMENT)	STEEL
H	#8 X 2-1/2" MODIFIED TRUSS HEAD WOOD SCREW (1-1/8" MIN. EMB.)	STEEL
M	#8 X 1-1/4" PFH WOOD SCREW	STEEL
N	#8 X 5/8" PFH SMS	STEEL
1	FRAME*	PVC
2	SASH*	PVC
3	GLAZING BEAD*	PVC
4	GLAZING BEAD*	PVC
7	WEATHERSTRIP AMESBURY (CS 120 33-SEAL)	FOAM
8	WEATHERSTRIP AMESBURY (12300 SEAL)	VINYL
9	WEATHERSTRIP ULTRA FAB .250 (PILE - 250 - KP52)	VINYL
10	MULTI-POINT LOCK (TRUTH) W1495-20	-
12	OPERATOR (TRUTH) 2003587	-
21	TIE BAR GUIDE (TRUTH) 2008741	-
22	TIE BAR (TRUTH) WCMS4734003	-
23	KEEPER (TRUTH) W1495-01W11	-
24	SNUBBER (TRUTH) (SASH/FRAME) WCS1-1496-85	-
26	#8 X 3/4" FH SMS	S.S.

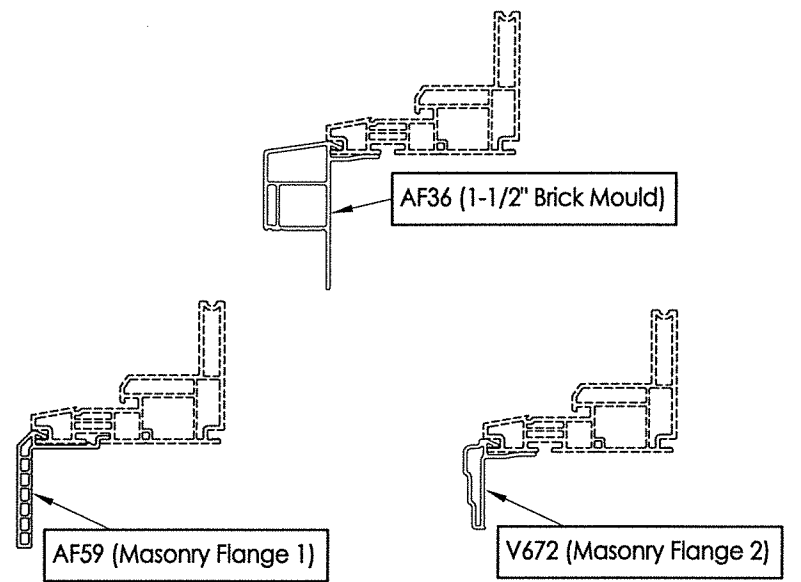
* THE APPROVED WHITE RIGID PVC EXTERIOR EXTRUSIONS FOR WINDOWS ARE TO BE PRODUCED BY EXTRUDERS LICENSEES IN "CERTIFICATION PROGRAMS FOR RIGID PVC EXTRUSIONS".



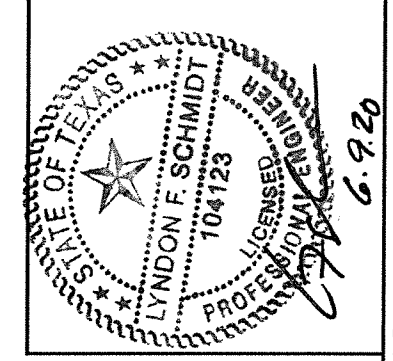
G1 GLAZING DETAIL
(See General Note 2, Sheet 1)



G2 GLAZING DETAIL
(See General Note 2, Sheet 1)



OPTIONAL COSMETIC FLANGES



Documents Prepared By: Lyndon F. Schmidt, P.E.
TEXAS P.E. #104123

RW BUILDING CONSULTANTS, INC.
P.O. Box 230 Valrico FL 33595
Phone No.: 813.659.9197

TEXAS BOARD OF PROFESSIONAL ENGINEERS
CERTIFICATE OF REGISTRATION # F-11852

PRODUCT:	Vinyl Outswing Casement Window	
PART OR ASSEMBLY:	BILL OF MATERIALS, COMPONENTS AND GLAZING DETAIL	
NO.	DATE	BY
1	3/23/20	LFS
UPDATE TO 2018 IBC/IRC		
REVISIONS		
DATE:	8/13/14	
SCALE:	N.T.S.	
DWG. BY:	JK	
CHK. BY:	LFS	
DRAWING NO.:	TX-4454	
SHEET	4	OF 4