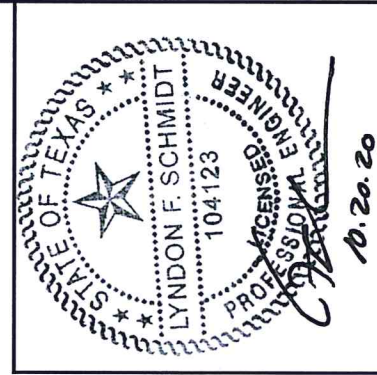
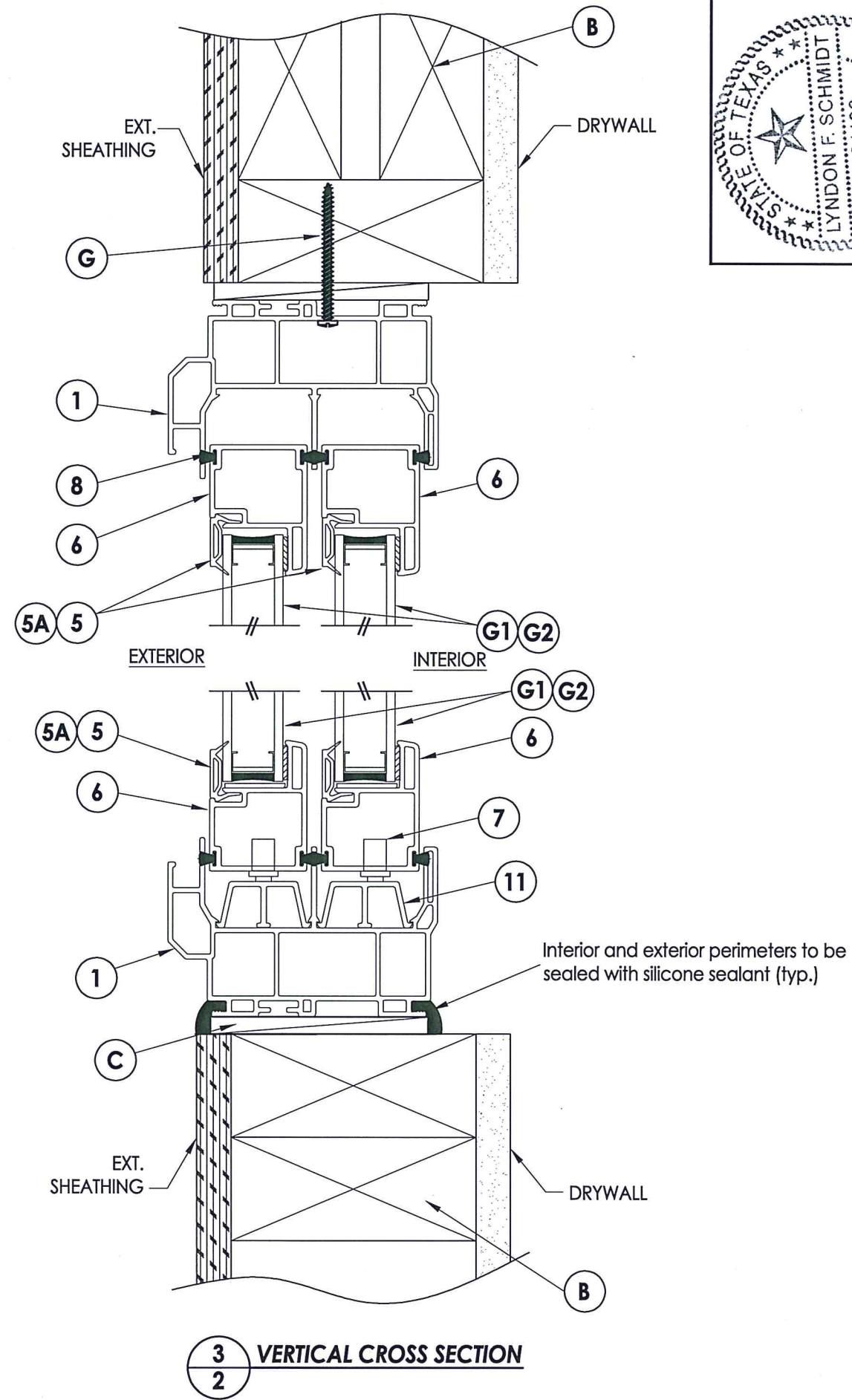
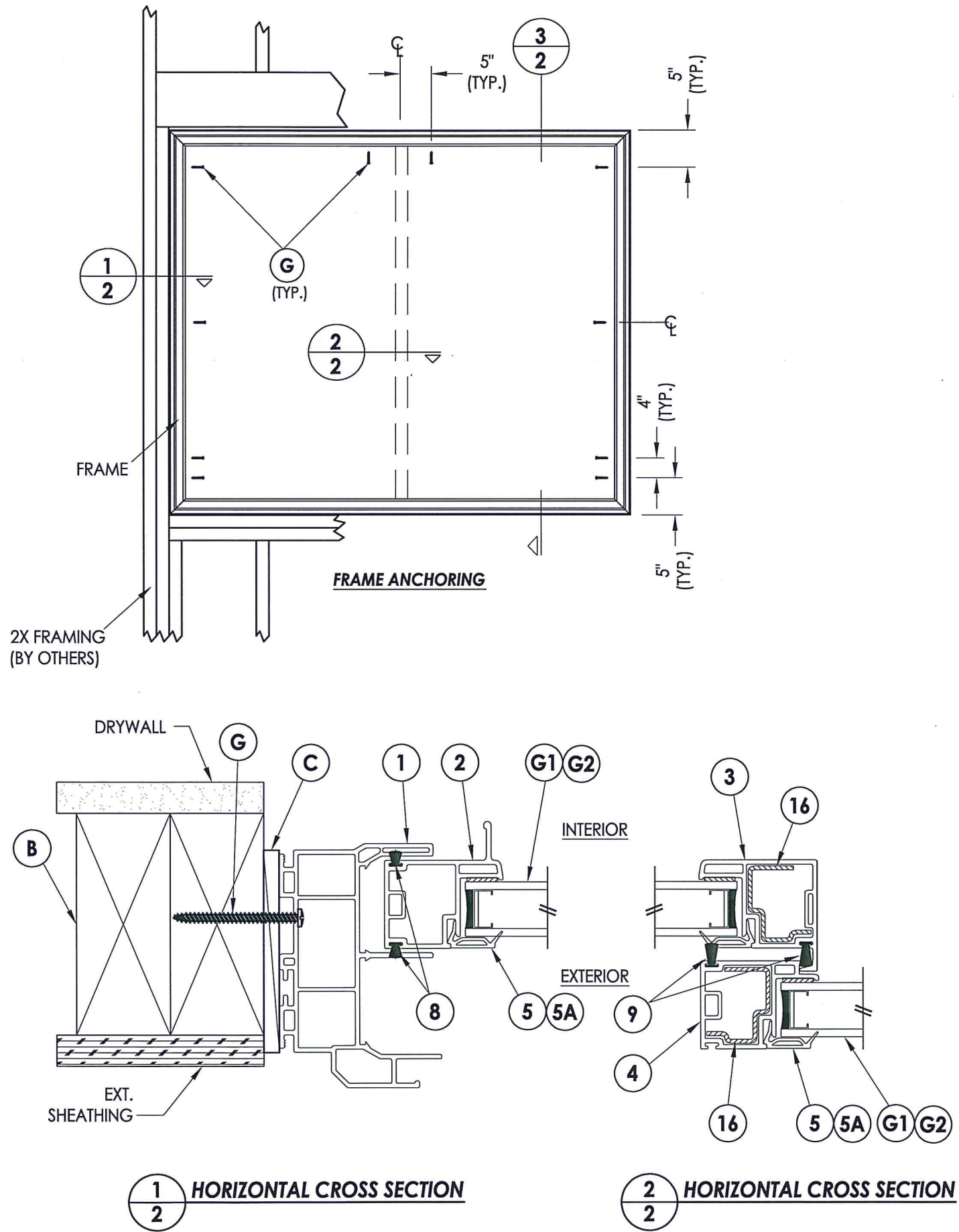


R:\Clients\Wincore PERMANENT\B - (2018) Texas Dept of Ins\WIN 1140 - Hors Slider 7700 - 9900 (ADDED TO WIN-1137)\C - Drawings\2018 IBC UPDATE\TX-4325.dwg, 2.1



Documents Prepared By: Lyndon F. Schmidt, P.E.
TEXAS P.E. #104123

RW BUILDING CONSULTANTS, INC.
P.O. Box 230 Valrico FL, 33595
Phone No.: 813.659.9197
TEXAS BOARD OF PROFESSIONAL ENGINEERS
CERTIFICATE OF REGISTRATION # F-11852

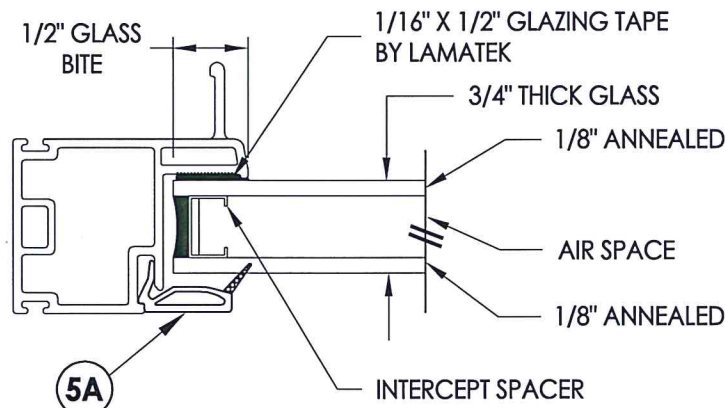
PRODUCT:	7700/9900 SERIES
PART OR ASSEMBLY:	HORIZONTAL & VERTICAL CROSS SECTIONS & FRAME ANCHORING
DATE	1/21/20
NO.	1
BY	LFS
REVISIONS	
DATE	5/02/13
SCALE	N.T.S.
DWG. BY	JK
CHK. BY	LFS
DRAWING NO.:	TX-4325
SHEET	2 of 3

© 2013 R.W. BUILDING CONSULTANTS INC.

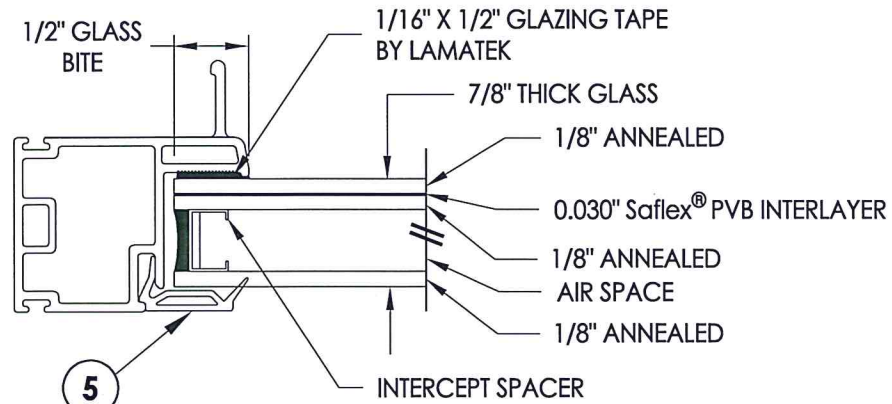
R:\Clients\Wincore PERMANENT\B - (2018) Texas Dept of Ins\WIN 1140 - Hors Slider 7700 - 9900 (ADDED TO WIN-1137)C - Drawings\2018 IBC UPDATE\TX-4325.dwg, 3.1

BILL OF MATERIALS		
ITEM #	DESCRIPTION	MATERIAL
B	2X FRAMING (SG >= 0.42)	WOOD
C	1/4" MAX. SHIM SPACE	-
G	#8 X 2" PPH WOOD SCREW	STEEL
1	FRAME*	PVC
2	SLIDER PULL STILE*	PVC
3	LOCK STILE*	PVC
4	KEEPER STILE*	PVC
5	GLAZING BEAD (BV79)*	PVC
5A	GLAZING BEAD (BV62)*	PVC
6	SLIDER COMMON RAIL*	PVC
7	METAL ROLLERS w/ PLASTIC HOUSING	-
8	WEATHERSTRIP (0.230")	-
9	WEATHERSTRIP (0.380")	-
11	SILL TRACK	ALUM
16	REINFORCEMENT (LOCK & MEETING STILE)	STEEL

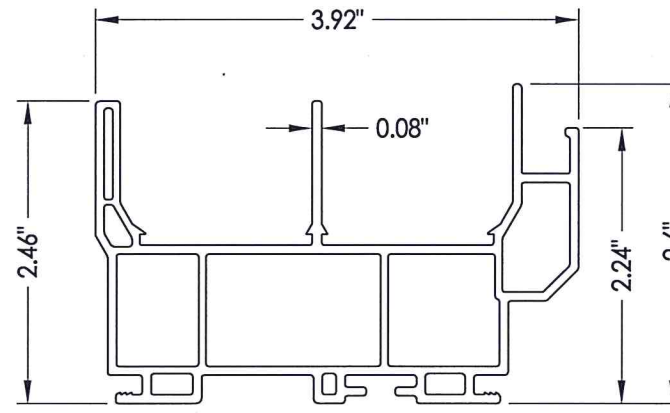
* THE APPROVED WHITE RIGID PVC EXTERIOR EXTRUSIONS FOR WINDOWS ARE TO BE PRODUCED BY EXTRUDERS LICENSEES IN "CERTIFICATION PROGRAMS FOR RIGID PVC EXTRUSIONS".



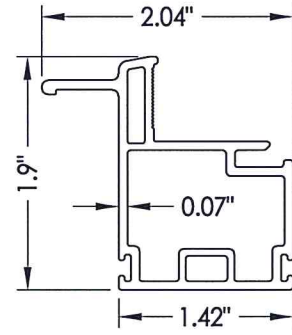
G1 GLAZING DETAIL



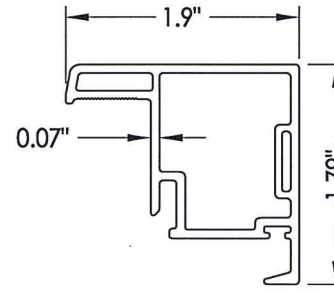
G2 GLAZING DETAIL



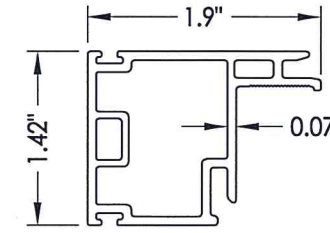
1 FRAME



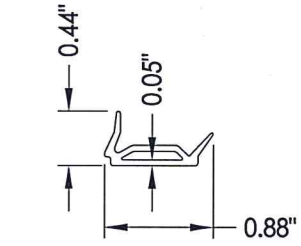
2 SLIDER PULL STILE



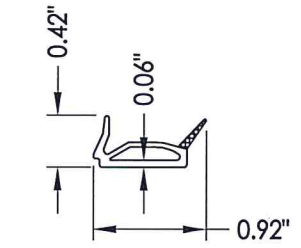
3 LOCK STILE



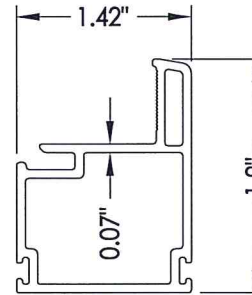
4 KEEPER STILE



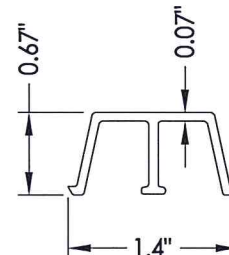
5 GLAZING BEAD (7/8")



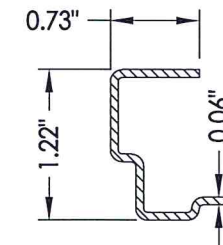
5A GLAZING BEAD (3/4")



6 SLIDER COMMON RAIL



11 SILL TRACK



16 REINFORCEMENT
Lock & Meeting Stile



Documents Prepared By: Lyndon F. Schmidt, P.E.
TEXAS P.E. #104123

RW BUILDING CONSULTANTS, INC.
P.O. Box 230 Valrico FL 33595
Phone No.: 813.659.9197
TEXAS BOARD OF PROFESSIONAL ENGINEERS
CERTIFICATE OF REGISTRATION # F-11852

PRODUCT: 7700/9900 SERIES
PART OR ASSEMBLY: BILL OF MATERIALS, GLAZING DETAIL & COMPONENTS

NO.	DATE	REVISIONS	LFS	BY
1	1/21/20	UPDATE TO 2018 IBC/IRC	LFS	BY

DATE: 5/02/13

SCALE: N.T.S.

DWG. BY: JK

CHK. BY: LFS

DRAWING NO.: TX-4325

SHEET 3 OF 3