



3773 STATE ROAD
 CUYAHOGA FALLS, OH 44223

MODEL 0204 PVC FIXED WINDOW "NON-IMPACT"

ALSO DISTRIBUTED UNDER THE FOLLOWING TRADE NAMES:

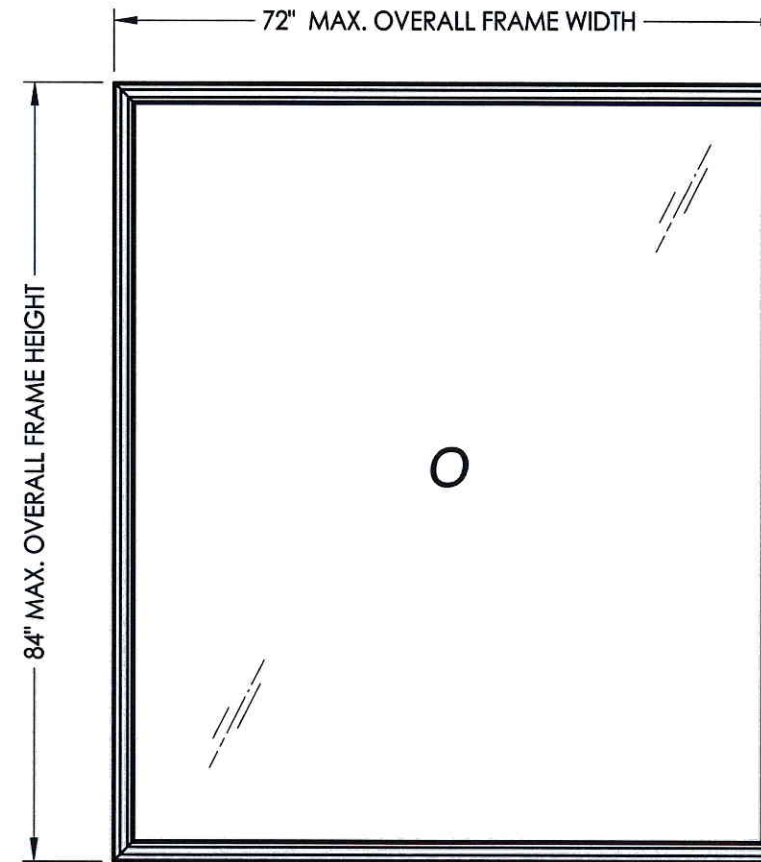
- ASSOCIATED MATERIALS, INC.
- GENTEK BUILDING PRODUCTS
- REVERE BUILDING PRODUCTS

EVALUATED FOR USE IN THE STATE OF TEXAS

The Fixed Window described herein complies with the 2006 International Residential Code (IRC), Sections R301 & R613 and the 2006 International Building Code (IBC), Sections 1405.12, 1609, 1714.5, 2403 and 2404 (including Texas revisions) subject to the following conditions:

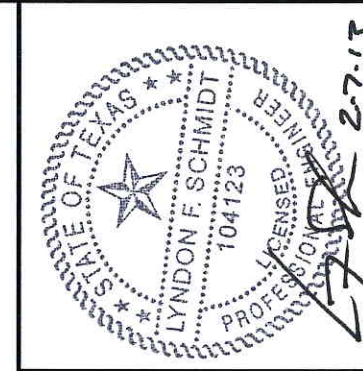
1. Anchors shall be as listed and spaced as shown in the details. Anchor embedment to base material shall be beyond wall dressing or stucco.
2. When used in areas requiring wind-borne debris protection this product is required to be protected with an impact resistant covering that complies with Section R301.2.1.2 of the IRC and Section 1609.1.2 of the IBC.
3. Allowable design pressure requirements must be equal to or less than the design pressure rating shown in the design pressure chart, sheet 1 of this drawing.
4. Conditions not covered by this drawing are subject to further engineering analysis.

TABLE OF CONTENTS	
SHEET#	DESCRIPTION
1	Typical elevations, design pressures & general notes
2	Frame anchoring & cross sections
3	Bill of materials , glazing details and components



72.00" X 84.00" FRAME SHOWN

OVERALL FRAME DIMENSION	OVERALL DAY LIGHT DIMENSION	GLASS TYPE	DESIGN PRESSURE (PSF)	
			POS.	NEG.
72.0" X 84.0"	67.5" X 79.5"	G1	+35.0	-35.0
96.0" X 60.0"	91.5" X 55.5"		+45.0	-45.0
72.0" X 63.0"	67.5" X 58.5"	G2	+45.0	-45.0
60.0" X 60.0"	55.5" X 55.5"		+55.0	-55.0
48.0" X 72.0"	43.5" X 67.5"		+65.0	-65.0
72.0" X 72.0"	67.5" X 67.5"	G3	+50.0	-50.0



Documents Prepared By: Lyndon F. Schmidt, P.E.
 TEXAS P.E. #104123

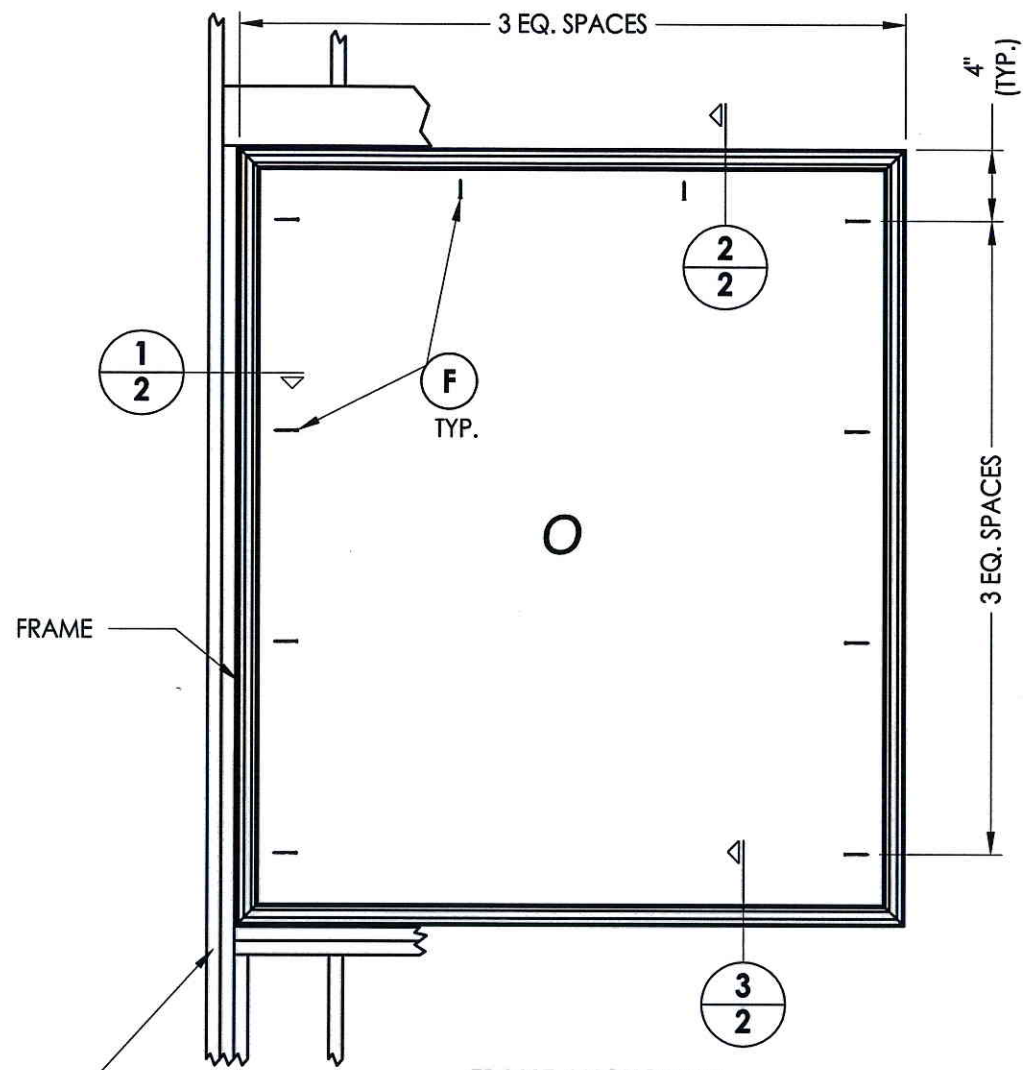
RW BUILDING CONSULTANTS, INC.
 P.O. Box 230 Vairico FL 33595
 Phone No.: 813.659.9197

TEXAS BOARD OF PROFESSIONAL ENGINEERS
 CERTIFICATE OF REGISTRATION # F-11852

PRODUCT: FIXED WINDOW
 PART OR ASSEMBLY: TYPICAL ELEVATION, DESIGN PRESSURES & GENERAL NOTES

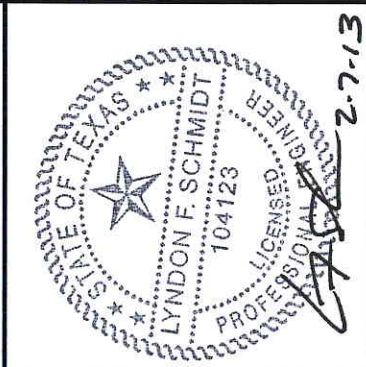
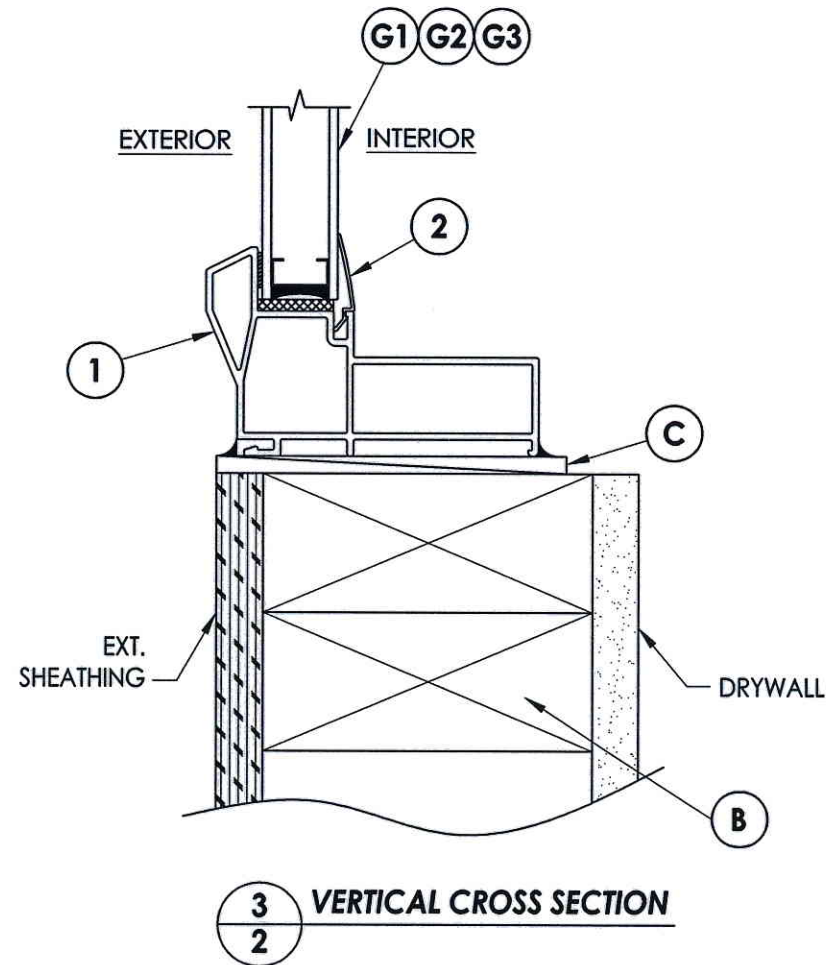
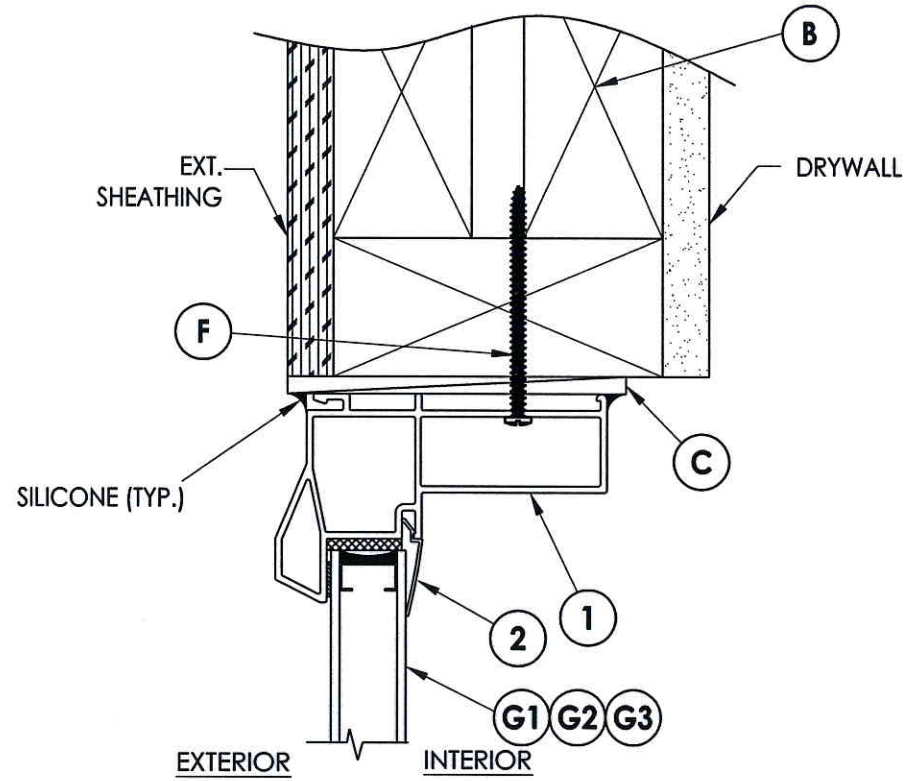
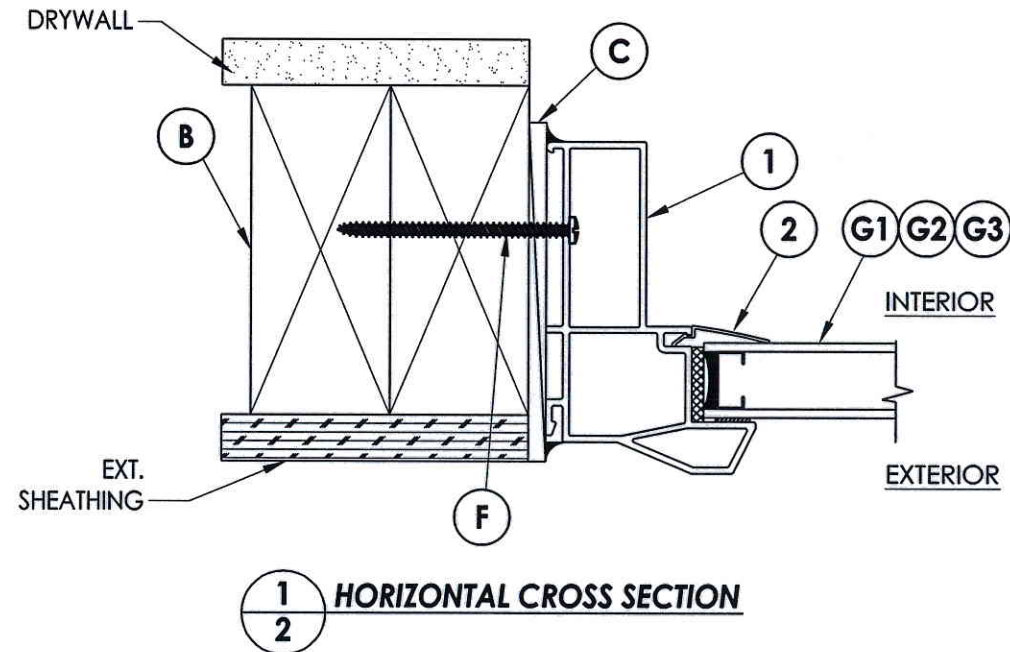
NO.	DATE	BY

DATE: 2/7/13
 SCALE: N.T.S.
 DWG. BY: JK
 CHK. BY: LFS
 DRAWING NO.: TX-4272
 SHEET 1 OF 3



2x framing to be designed by the engineer or architect of record based on wind loads and the cladding being used.

FRAME ANCHORING
2X Stud Construction



Documents Prepared By: Lyndon F. Schmidt, P.E.
TEXAS P.E. #104123

RW BUILDING CONSULTANTS, INC.
P.O. Box 230 Valrico FL 33595
Phone No.: 813.659.9197

TEXAS BOARD OF PROFESSIONAL ENGINEERS
CERTIFICATE OF REGISTRATION # F-11852

PRODUCT: FIXED WINDOW

PART OR ASSEMBLY: FRAME ANCHORING & CROSS SECTIONS

NO.	DATE	BY	REVISIONS

DATE: 2/7/13

SCALE: N.T.S.

DWG. BY: JK

CHK. BY: LFS

DRAWING NO.: TX-4272

SHEET 2 OF 3

