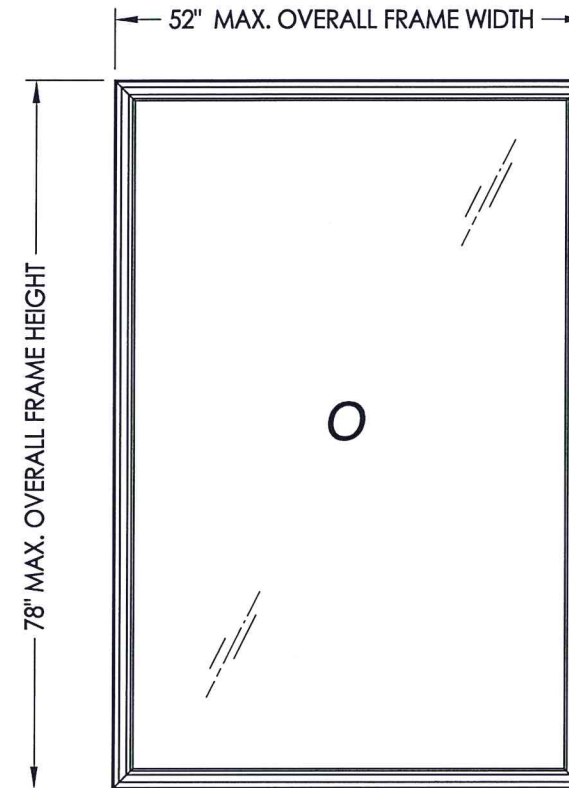


**MODEL "i" 970
PVC FIXED WINDOW
"NON-IMPACT"**



VERTICAL ORIENTATION SHOWN
(Horizontal orientation optional)

OVERALL FRAME DIMENSION	OVERALL DAY LIGHT DIMENSION	GLASS TYPE	DESIGN PRESSURE (PSF)	
			POS.	NEG.
52.0" x 78.0"	46.5" x 72.5"	G1	+60.0	-60.0

EVALUATED FOR USE IN THE STATE OF TEXAS

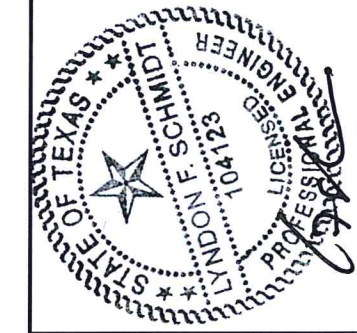
TDI WIN-894

The Fixed Window described herein complies with the 2018 International Residential Code (IRC), Sections R301 & R609 and the 2018 International Building Code (IBC), Sections 1404.13, 1609, 1709.5, 2403 and 2404 subject to the following conditions:

1. Anchors shall be as listed and spaced as shown in the details. Anchor embedment to base material shall be beyond wall dressing or stucco.
2. When used in areas requiring wind-borne debris protection this product is required to be protected with an impact resistant covering that complies with Section R301.2.1.2 of the IRC and Section 1609.2 of the IBC.
3. Allowable design pressure requirements must be equal to or less than the design pressure rating shown in the design pressure chart, sheet 1 of this drawing.
4. Conditions not covered by this drawing are subject to further engineering analysis.

TABLE OF CONTENTS

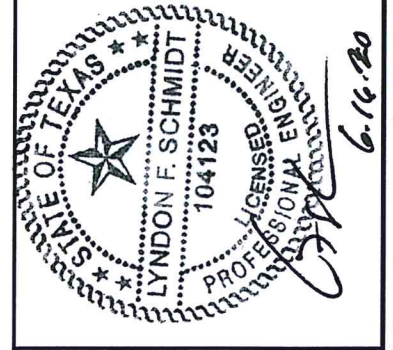
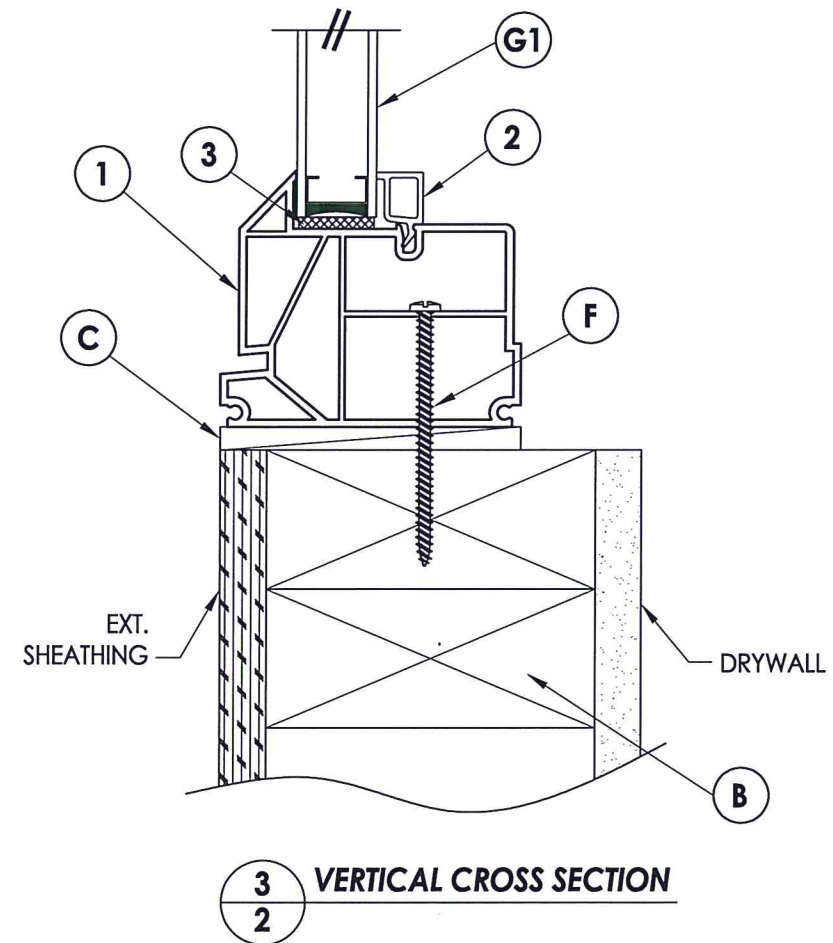
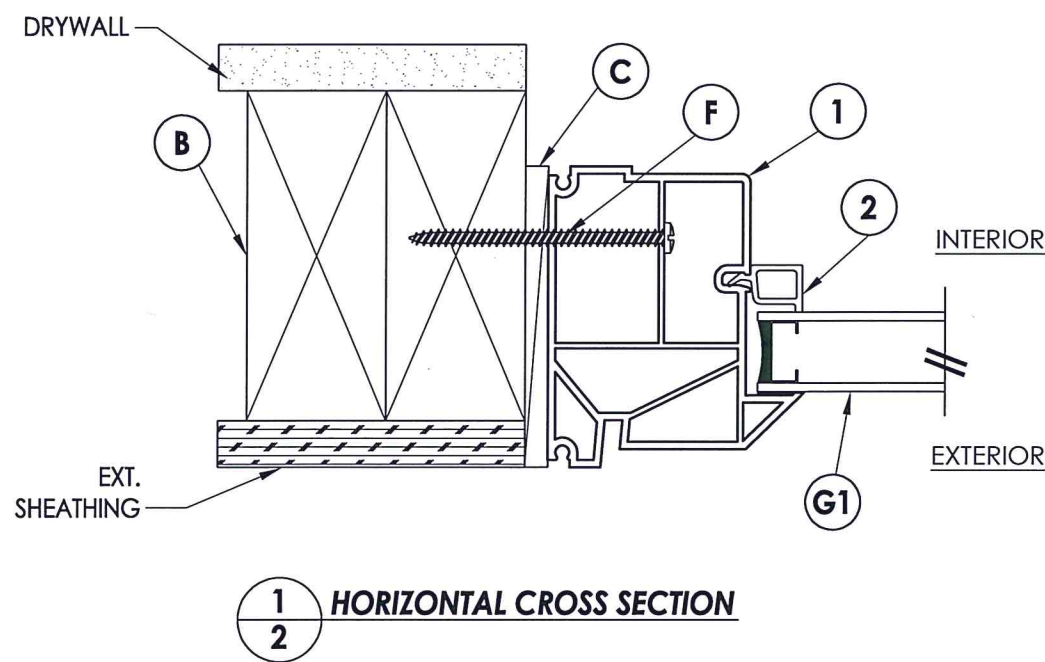
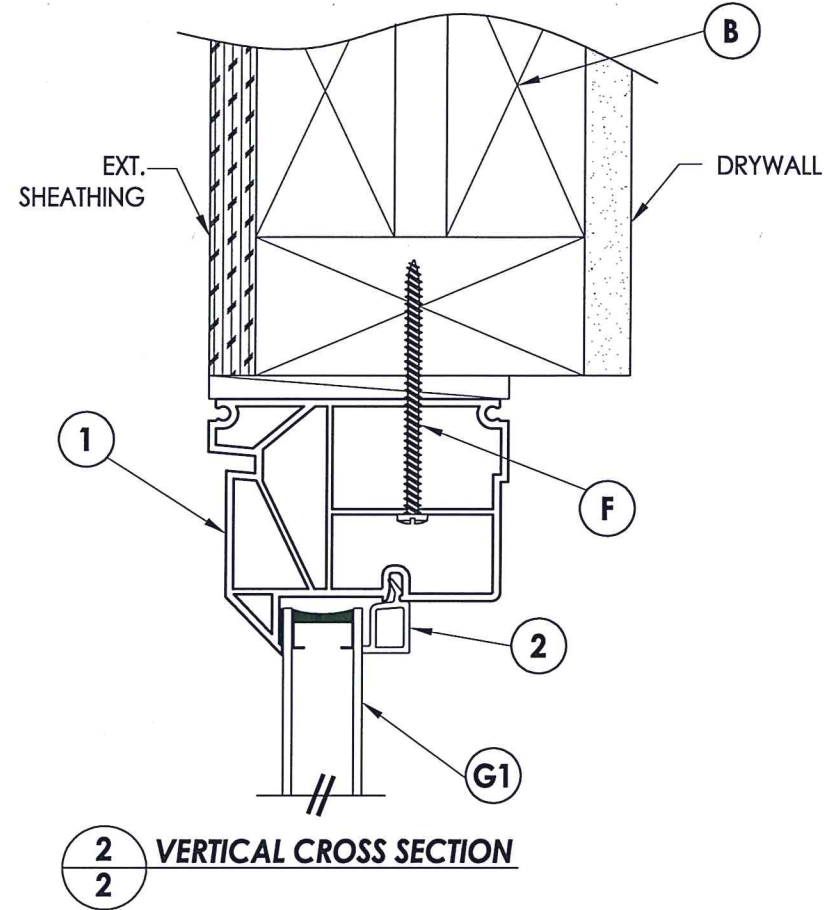
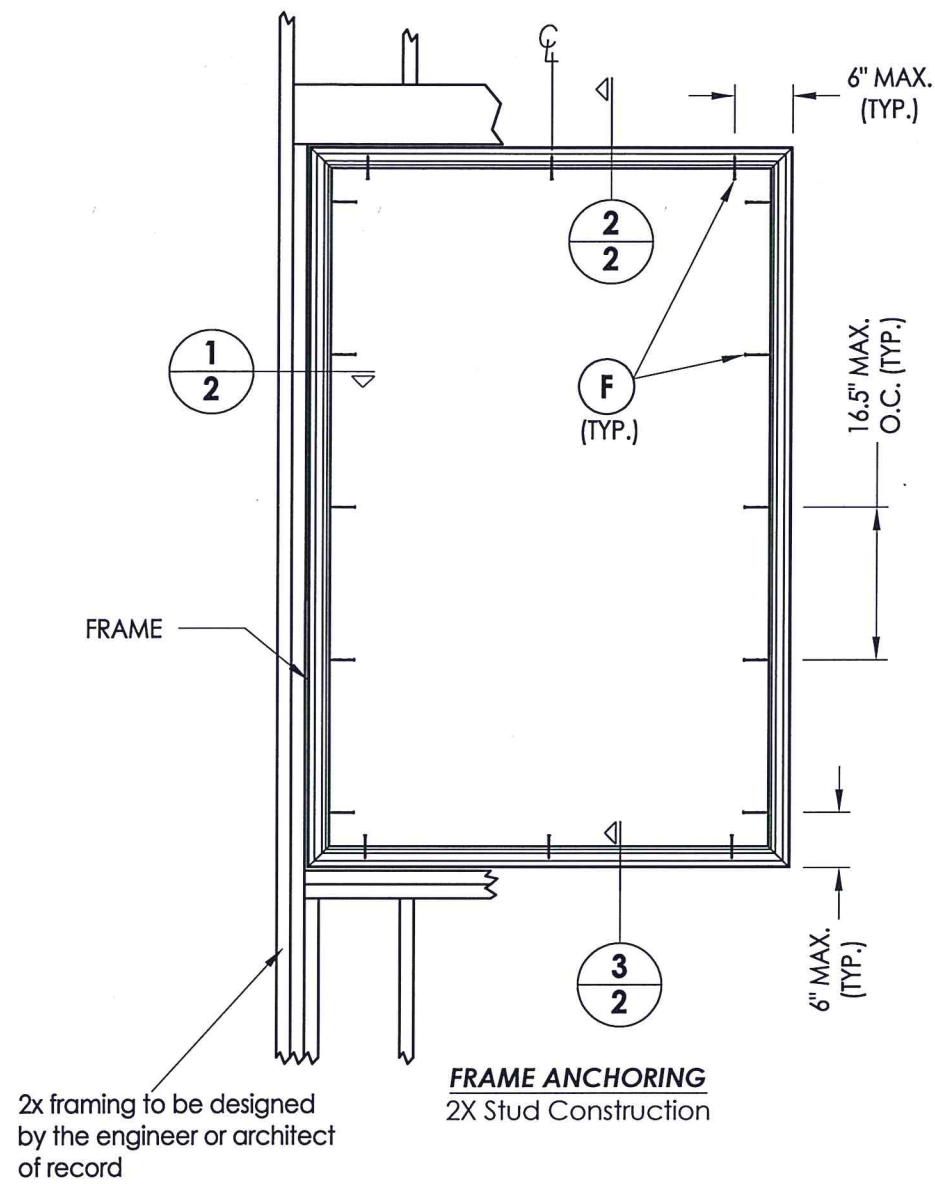
SHEET#	DESCRIPTION
1	Typical elevations, design pressures & general notes
2	Frame anchoring & cross sections
3	Bill of materials, glazing details and components



Documents Prepared By: Lyndon F. Schmidt, P.E.
TEXAS P.E. #104123
RW BUILDING CONSULTANTS, INC.
P.O. Box 230 Valrico FL 33595
Phone No.: 813.659.9197
TEXAS BOARD OF PROFESSIONAL ENGINEERS
CERTIFICATE OF REGISTRATION # F-11852

PRODUCT:	FIXED WINDOW
PART OR ASSEMBLY:	TYPICAL ELEVATION DESIGN PRESSURES & GENERAL NOTES
DATE:	11/25/13
SCALE:	N.T.S.
DWG. BY:	JK
CHK. BY:	LFS
DRAWING NO.:	TX-4411
SHEET	1 OF 3

R:\Clients\Associated PERMANENT\B - Texas Dept of Ins\Fixed\WIN 894 Fixed Windows\C - Drawings\TX-4411.dwg, 2.1



Documents Prepared By: Lyndon F. Schmidt, P.E.
TEXAS P.E. #104123

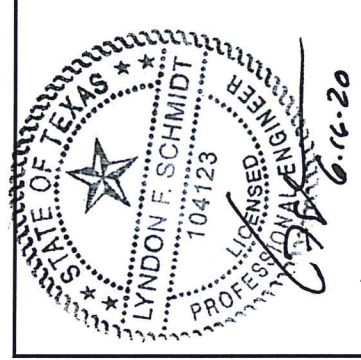
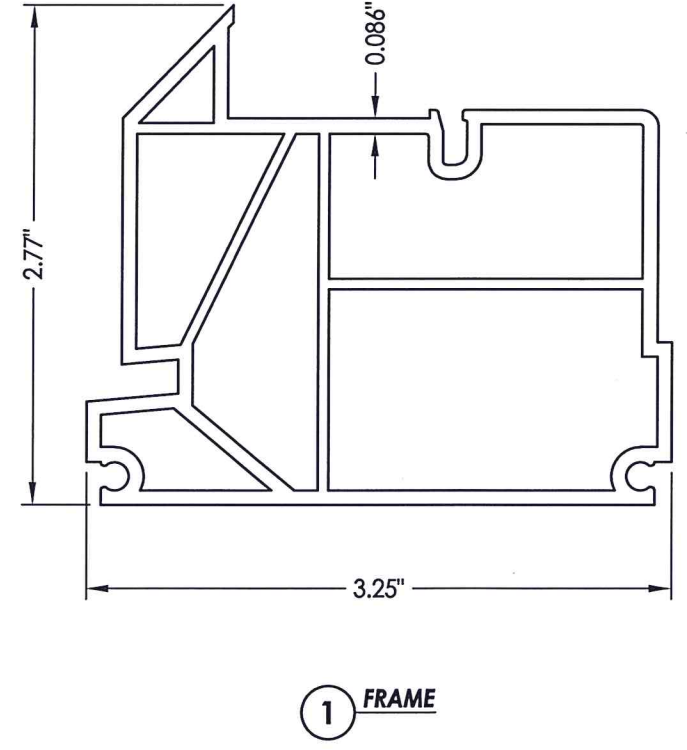
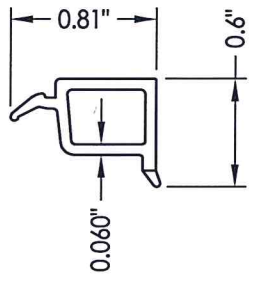
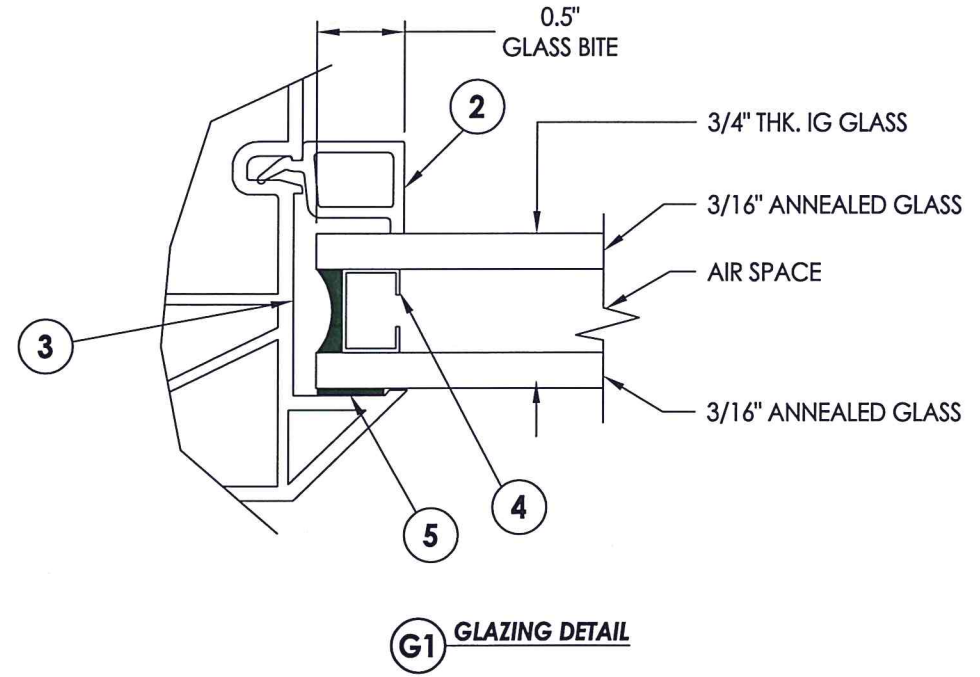
RW BUILDING CONSULTANTS, INC.
P.O. Box 230 Valrico FL 33595
Phone No.: 813.659.9197

TEXAS BOARD OF PROFESSIONAL ENGINEERS
CERTIFICATE OF REGISTRATION # F-11652

PRODUCT:	FIXED WINDOW	
PART OR ASSEMBLY:	FRAME ANCHORING & CROSS SECTIONS	
NO.	DATE	BY
1	6/16/20	LFS
UPDATE TO 2018 IBC/IRC AND FOR NEW TESTING		
REVISIONS		
DATE:	11/25/13	
SCALE:	N.T.S.	
DWG. BY:	JK	
CHK. BY:	LFS	
DRAWING NO.:	TX-4411	
SHEET	2	OF 3

BILL OF MATERIALS		
ITEM #	DESCRIPTION	MATERIAL
B	2X FRAMING (SG >= 0.42)	WOOD
C	1/4" MAX. SHIM SPACE	-
F	#8 X 2-3/4" PPH SMS (1-1/4" MIN. EMBEDMENT)	STEEL
1	EXTRUDED VINYL FRAME *	RIGID PVC
2	EXTRUDED VINYL GLAZING BEAD *	RIGID PVC
3	GLASS SETTING BLOCK	-
4	GLAZING SPACER	ALUM
5	SEALANT	SILICONE

* THE APPROVED WHITE RIGID PVC EXTERIOR EXTRUSIONS FOR WINDOWS ARE TO BE PRODUCED BY EXTRUDERS LICENSEES IN "AAMA CERTIFICATION PROGRAMS FOR RIGID PVC EXTRUSIONS".



Documents Prepared By: Lyndon F. Schmidt, P.E.
TEXAS P.E. #104123

RW BUILDING CONSULTANTS, INC.
P.O. Box 230 Valrico FL 33595
Phone No.: 813.659.9197

TEXAS BOARD OF PROFESSIONAL ENGINEERS
CERTIFICATE OF REGISTRATION # F-11852

PRODUCT:	FIXED WINDOW		
PART OR ASSEMBLY:	BILL OF MATERIALS, GLAZING DETAILS & COMPONENTS		
NO.	DATE	BY	REVISIONS
1	6/16/20	LFS	UPDATE TO 2018 IBC/IRC AND FOR NEW TESTING
DATE: 11/25/13			
SCALE: N.T.S.			
DWG. BY: JK			
CHK. BY: LFS			
DRAWING NO.: TX-4411			
SHEET 3 OF 3			