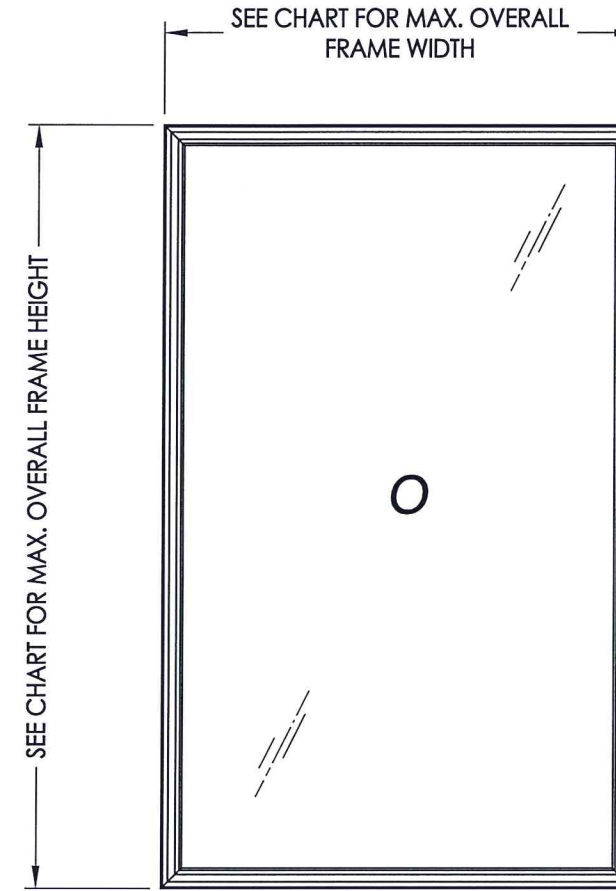


**MODEL "i" 204
PVC FIXED WINDOW
"NON-IMPACT"**



OVERALL FRAME DIMENSION	OVERALL DAY LIGHT DIMENSION	GLASS TYPE	DESIGN PRESSURE (PSF)	
			POS.	NEG.
52.0" x 84.0"	47.5" x 79.5"	G1	+55.0	-60.0
72.0" X 72.0"	67.5" X 67.5"	G1	+55.0	-55.0

EVALUATED FOR USE IN THE STATE OF TEXAS

TDI WIN-882

The Fixed Window described herein complies with the 2018 International Residential Code (IRC), Sections R301 & R609 and the 2018 International Building Code (IBC), Sections 1404.13, 1609, 1709.5, 2403 and 2404 subject to the following conditions:

1. Anchors shall be as listed and spaced as shown in the details. Anchor embedment to base material shall be beyond wall dressing or stucco.
2. When used in areas requiring wind-borne debris protection this product is required to be protected with an impact resistant covering that complies with Section R301.2.1.2 of the IRC and Section 1609.2 of the IBC.
3. Allowable design pressure requirements must be equal to or less than the design pressure rating shown in the design pressure chart, sheet 1 of this drawing.
4. Conditions not covered by this drawing are subject to further engineering analysis.

TABLE OF CONTENTS	
SHEET#	DESCRIPTION
1	Typical elevations, design pressures & general notes
2	Cross sections
3	Frame anchoring
4	Bill of materials, glazing details and components

6.16.20

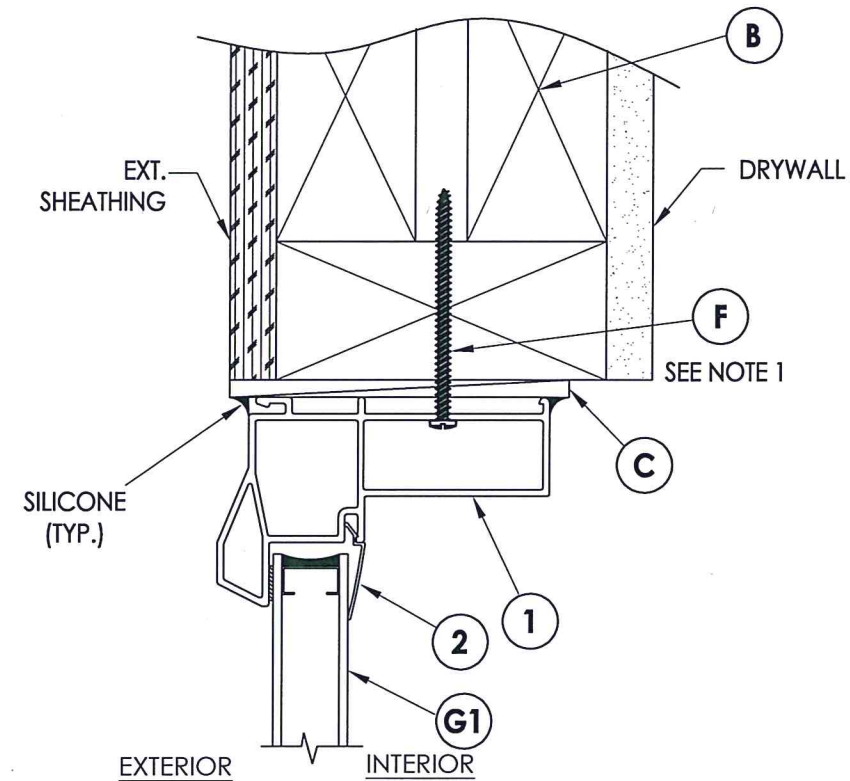
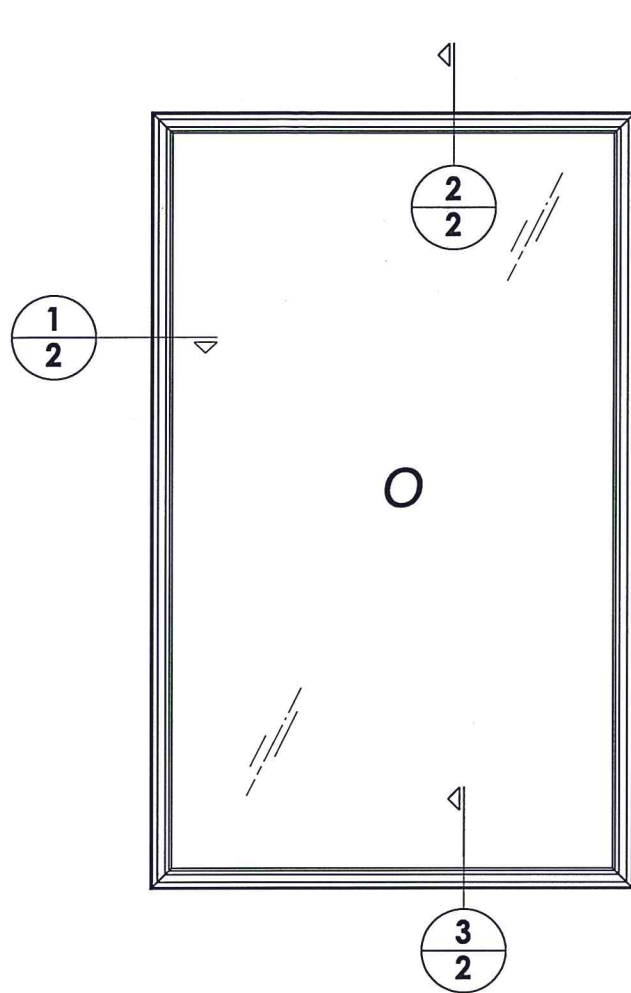
Documents Prepared By: Lyndon F. Schmidt, P.E.
TEXAS P.E. #104123

R.W. BUILDING CONSULTANTS, INC.
P.O. Box 230 Valrico FL 33595
Phone No.: 813.659.9197

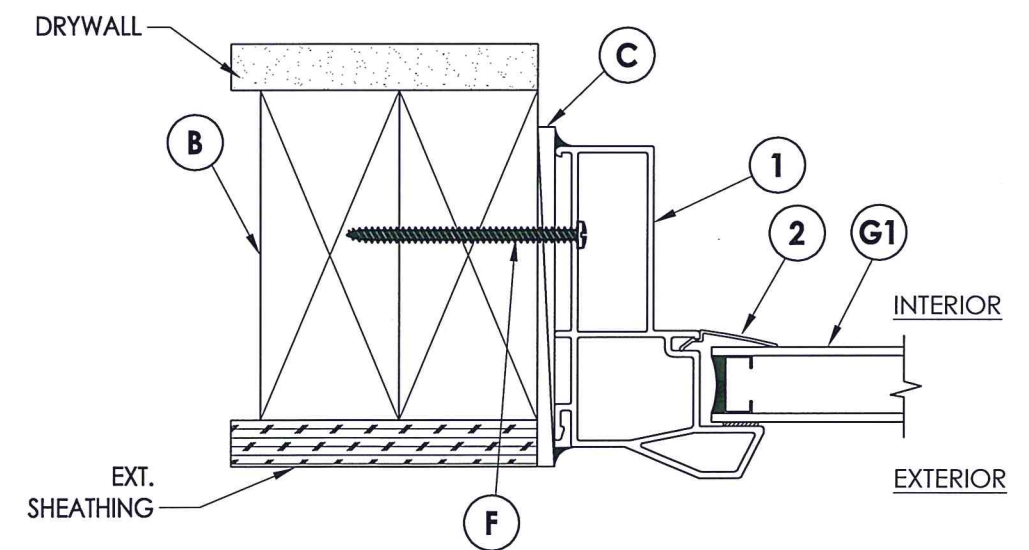
TEXAS BOARD OF PROFESSIONAL ENGINEERS
CERTIFICATE OF REGISTRATION # F-11852

PRODUCT:	FIXED WINDOW
PART OR ASSEMBLY:	TYPICAL ELEVATION, DESIGN PRESSURES & GENERAL NOTES
DATE:	11/25/13
SCALE:	N.T.S.
DWG. BY:	JK
CHK. BY:	LFS
DRAWING NO.:	TX-4409
SHEET	1 OF 4

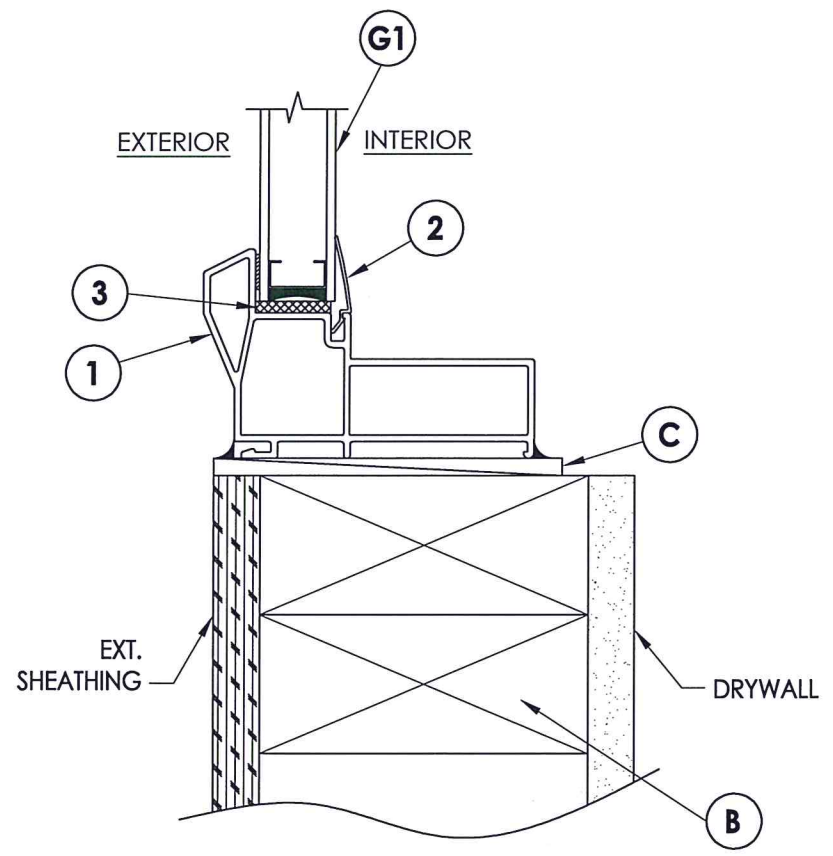
R:\Clients\Associated PERMANENT\B - Texas Dept of Ins\Fixed\WIN 882 Fixed Windows\C - Drawings\TX-4409.dwg, TX-4409



2
2 VERTICAL CROSS SECTION

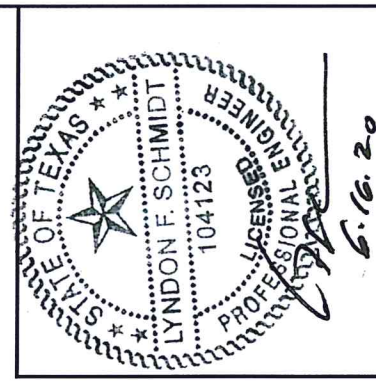


1
2 HORIZONTAL CROSS SECTION



3
2 VERTICAL CROSS SECTION

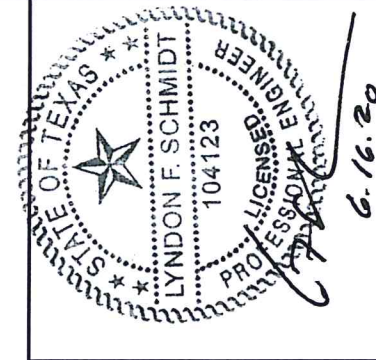
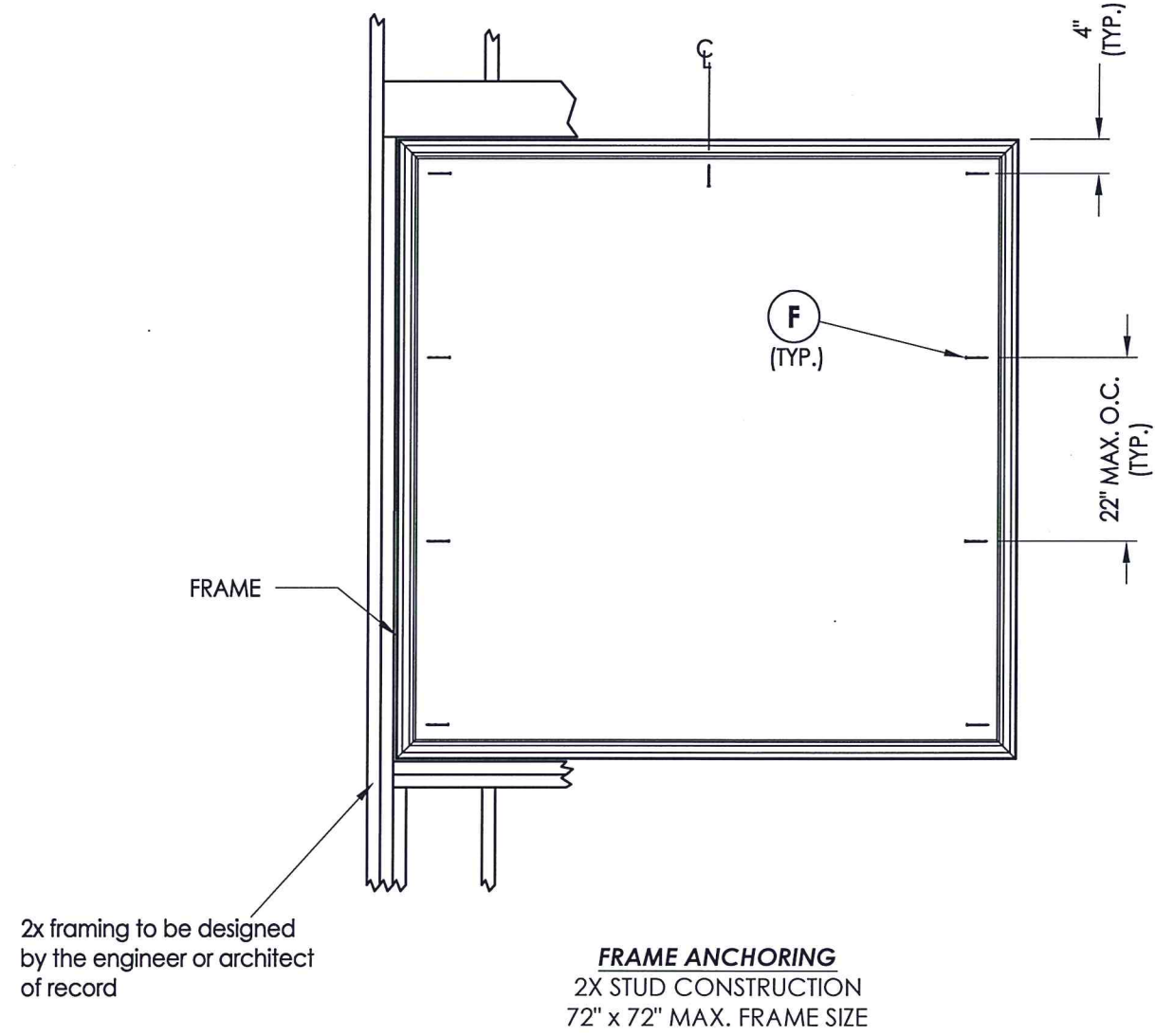
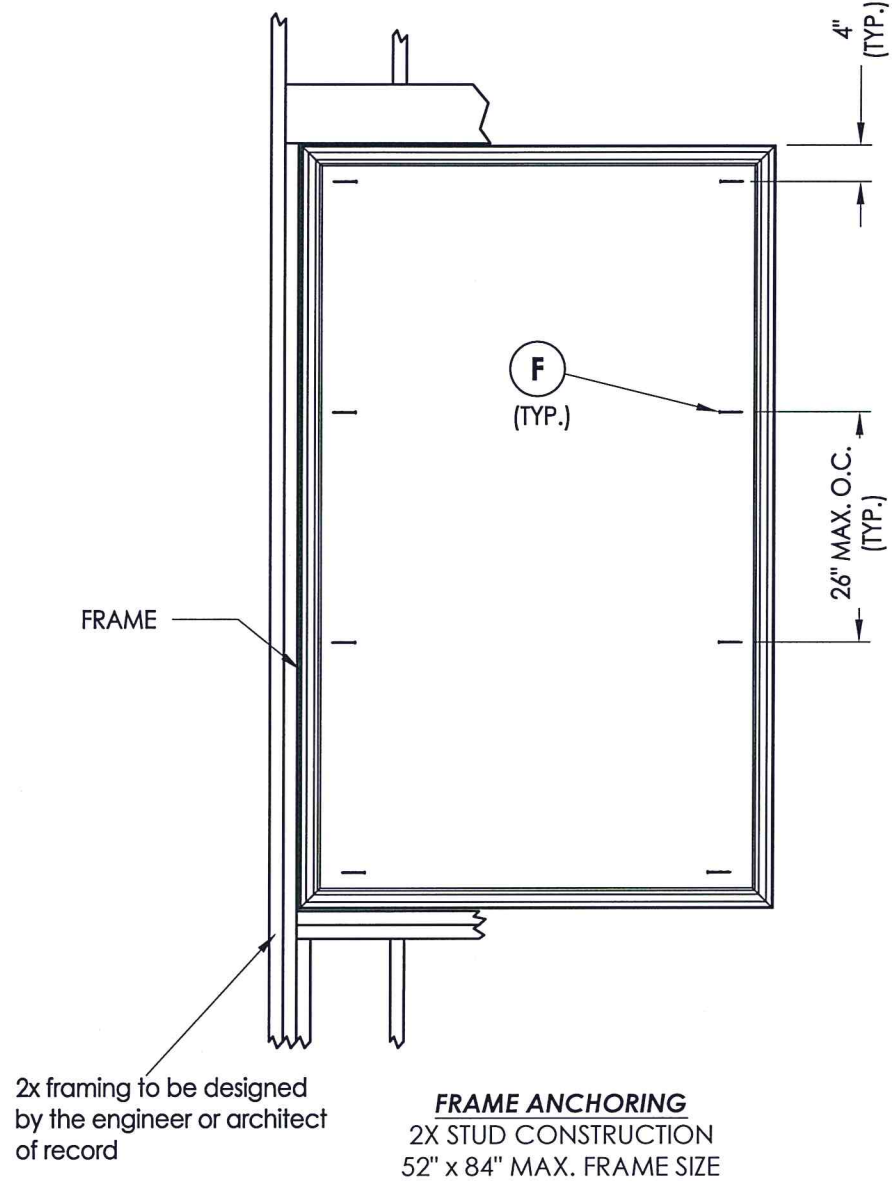
NOTE:
1. ANCHOR @ HEAD REQUIRED FOR FRAME WIDTH > 52"



Documents Prepared By: Lyndon F. Schmidt, P.E.
TEXAS P.E. #104123

RW BUILDING CONSULTANTS, INC.
P.O. Box 230 Valrico FL, 33595
Phone No.: 813.659.9197
TEXAS BOARD OF PROFESSIONAL ENGINEERS
CERTIFICATE OF REGISTRATION # F-11852

PRODUCT:	FIXED WINDOW		
PART OR ASSEMBLY:	FRAME ANCHORING & CROSS SECTIONS		
DATE:	11/25/13		
SCALE:	N.T.S.		
DWG. BY:	JK		
CHK. BY:	LFS		
DRAWING NO.:	TX-4409		
SHEET	2 OF 4		
NO.	DATE	BY	REVISIONS
1	6/16/20	LFS	UPDATE TO 2018 IBC/IRC AND REVISE FOR NEW TESTING



Documents Prepared By: Lyndon F. Schmidt, P.E.
TEXAS P.E. #104123

RW BUILDING CONSULTANTS, INC.
P.O. Box 230 Valrico FL 33595
Phone No.: 813.659.9197

TEXAS BOARD OF PROFESSIONAL ENGINEERS
CERTIFICATE OF REGISTRATION # F-11852

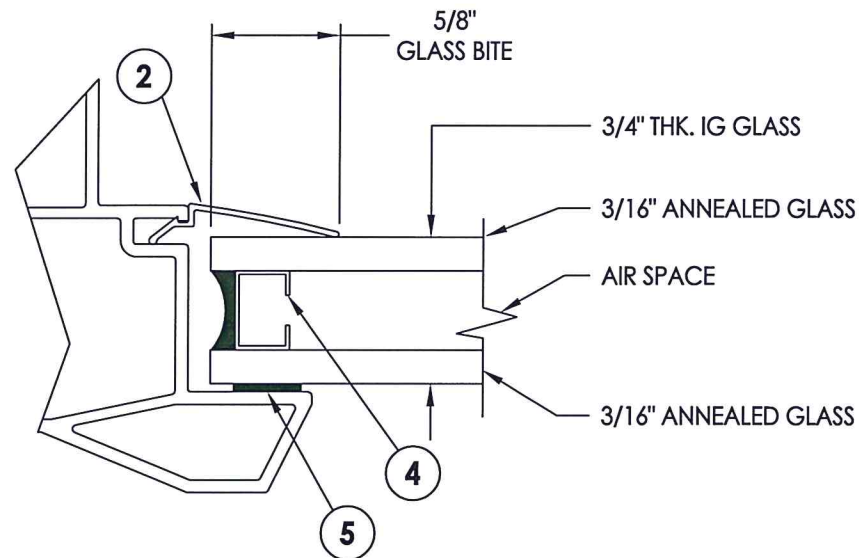
PRODUCT:	FIXED WINDOW
	PART OR ASSEMBLY:
	FRAME ANCHORING

NO.	DATE	REVISIONS	BY
1	6/16/20	UPDATE TO 2018 IBC/IRC AND REVISE FOR NEW TESTING	LFS

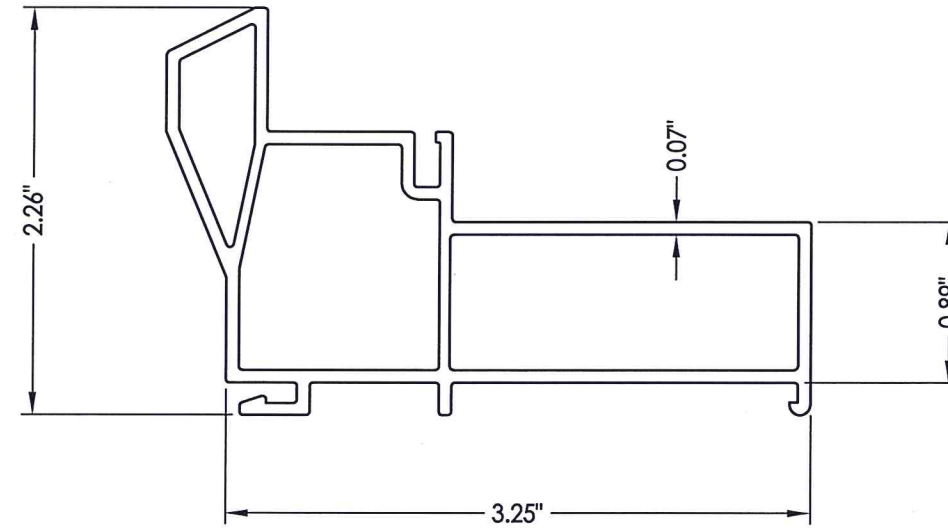
DATE: 11/25/13
SCALE: N.T.S.
DWG. BY: JK
CHK. BY: LFS
DRAWING NO.: TX-4409
SHEET 3 OF 4

BILL OF MATERIALS		
ITEM #	DESCRIPTION	MATERIAL
B	2X FRAMING (SG >= 0.42)	WOOD
C	1/4" MAX. SHIM SPACE	-
F	#8 X 2-1/2" PPH SMS (2" MIN. EMBEDMENT)	STEEL
1	EXTRUDED VINYL FRAME *	RIGID PVC
2	EXTRUDED VINYL GLAZING BEAD *	RIGID PVC
3	GLASS SETTING BLOCK	-
4	GLAZING SPACER	ALUM
5	SEALANT	SILICONE

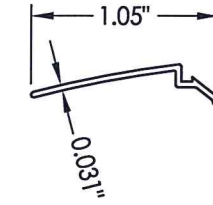
* THE APPROVED WHITE RIGID PVC EXTERIOR EXTRUSIONS FOR WINDOWS ARE TO BE PRODUCED BY EXTRUDERS LICENSEES IN "AAMA CERTIFICATION PROGRAMS FOR RIGID PVC EXTRUSIONS".



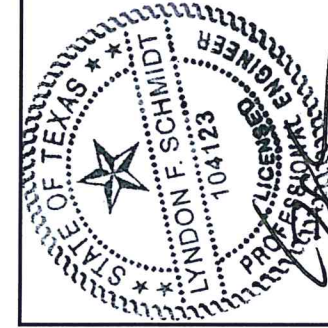
G1 GLAZING DETAIL



1 FRAME



2 GLAZING BEAD



Documents Prepared By: Lyndon F. Schmidt, P.E.
TEXAS P.E. #104123

RW BUILDING CONSULTANTS, INC.
P.O. Box 230 Valrico FL 33595
Phone No.: 813.659.9197

TEXAS BOARD OF PROFESSIONAL ENGINEERS
CERTIFICATE OF REGISTRATION # F-11852

PRODUCT: FIXED WINDOW

PART OR ASSEMBLY: BILL OF MATERIALS, GLAZING DETAILS & COMPONENTS

NO.	DATE	REVISIONS	BY
1	6/16/20	UPDATE TO 2018 IBC/IRC AND REVISE FOR NEW TESTING	LFS

DATE: 11/25/13

SCALE: N.T.S.

DWG. BY: JK

CHK. BY: LFS

DRAWING NO.: TX-4409

SHEET 4 OF 4