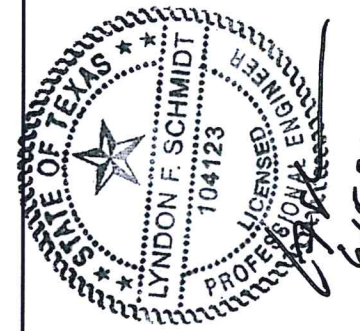
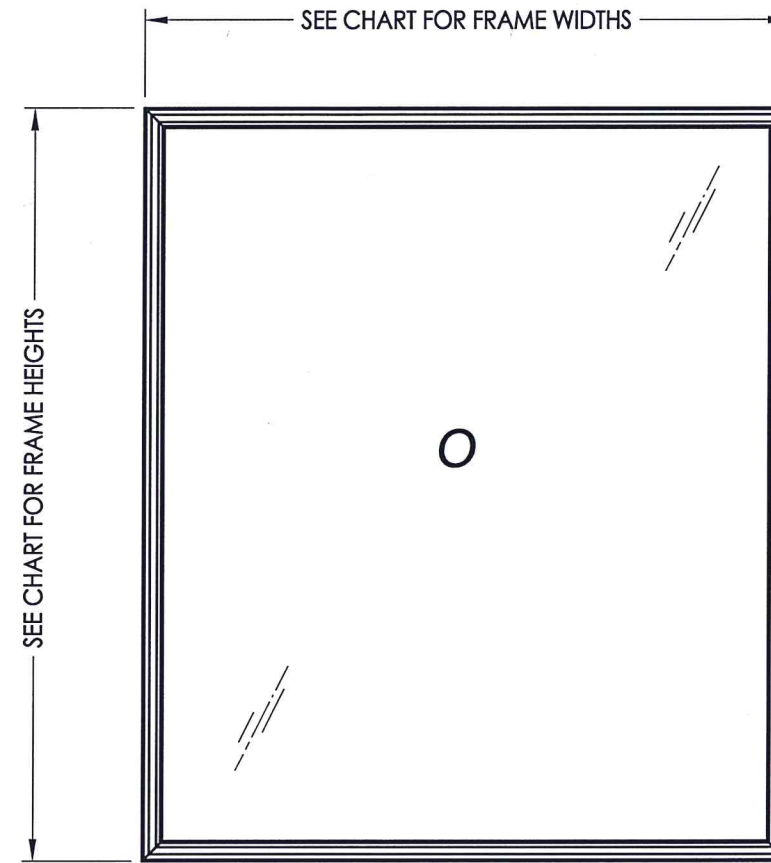


**MODEL L204
PVC FIXED WINDOW
"NON-IMPACT"**



Documents Prepared By: Lyndon F. Schmidt, P.E.
TEXAS P.E. #104123
RW BUILDING CONSULTANTS, INC.
P.O. Box 230 Valrico FL 33595
Phone No.: 813.659.9197
TEXAS BOARD OF PROFESSIONAL ENGINEERS
CERTIFICATE OF REGISTRATION # F-11852

PRODUCT: FIXED WINDOW
PART OR ASSEMBLY:
TYPICAL ELEVATION, DESIGN PRESSURES & GENERAL NOTES

EVALUATED FOR USE IN THE STATE OF TEXAS

TDI WIN-111

The Fixed Window described herein complies with the 2018 International Residential Code (IRC), Sections R301 & R609 and the 2018 International Building Code (IBC), Sections 1404.13, 1609, 1709.5, 2403 and 2404 subject to the following conditions:

1. Anchors shall be as listed and spaced as shown in the details. Anchor embedment to base material shall be beyond wall dressing or stucco.
2. When used in areas requiring wind-borne debris protection this product is required to be protected with an impact resistant covering that complies with Section R301.2.1.2 of the IRC and Section 1609.2 of the IBC.
3. Allowable design pressure requirements must be equal to or less than the design pressure rating shown in the design pressure chart, sheet 1 of this drawing.
4. Conditions not covered by this drawing are subject to further engineering analysis.

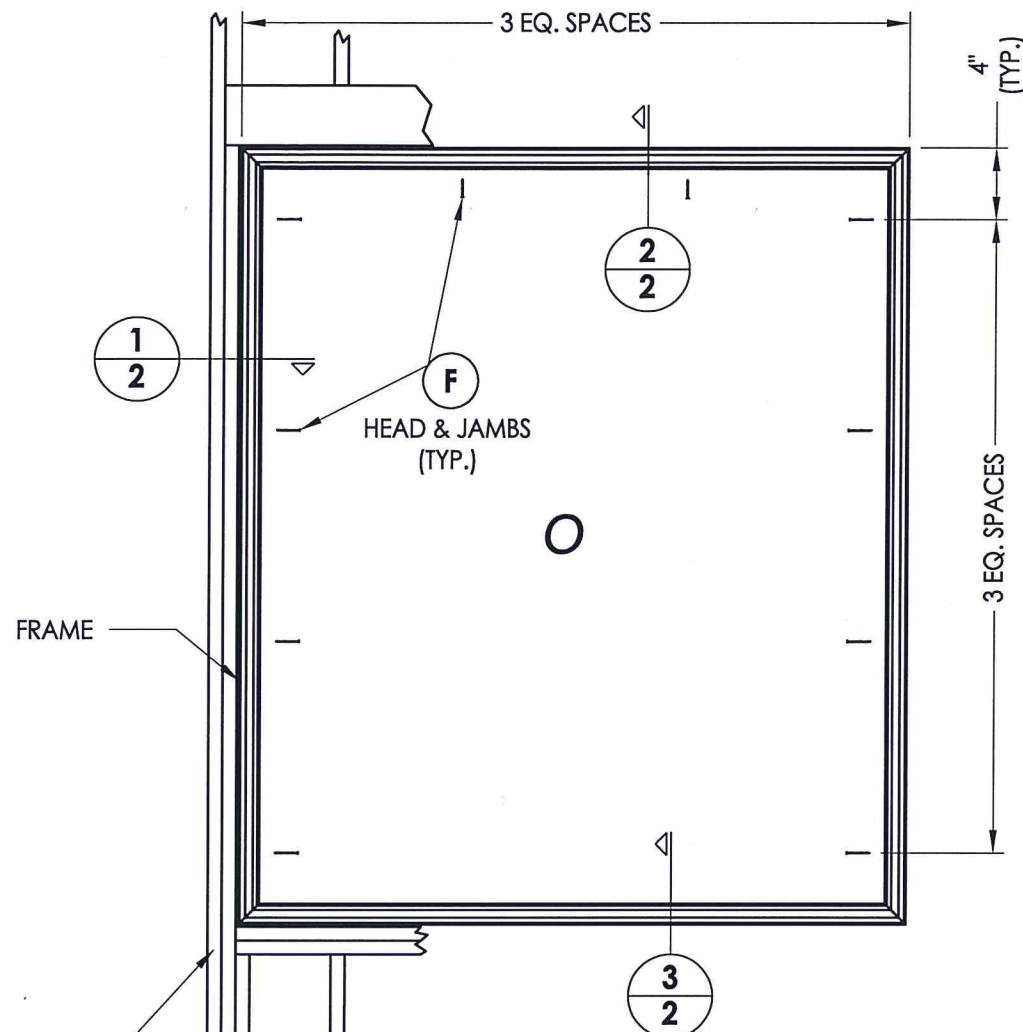
TABLE OF CONTENTS	
SHEET#	DESCRIPTION
1	Typical elevations, design pressures & general notes
2	Frame anchoring & cross sections
3	Frame anchoring & cross sections
4	Bill of materials, glazing details and components

OVERALL FRAME DIMENSION	OVERALL DAY LIGHT DIMENSION	GLASS TYPE	DESIGN PRESSURE (PSF)		ANCHORING DETAIL
			POS.	NEG.	
48.0" X 72.0"	43.5" X 67.5"	G1	+50.0	-60.0	SEE SHEET 2
72.0" X 72.0"	67.5" X 67.5"	G3	+35.0	-35.0	
60.0" X 60.0"	55.5" X 55.5"		+45.0	-60.0	
72.0" X 63.0"	67.5" X 58.5"	G3	+45.0	-55.0	SEE SHEET 3
72.0" X 84.0"	67.5" X 79.5"		+25.0	-25.0	
96.0" X 60.0"	91.5" X 55.5"	G2	+40.0	-40.0	

NO.	DATE	REVISIONS
2	6/15/20	UPDATE TO 2018 IBC/IRC AND FOR NEW TESTING
1	07/30/15	REVISE FOR NEW TESTING

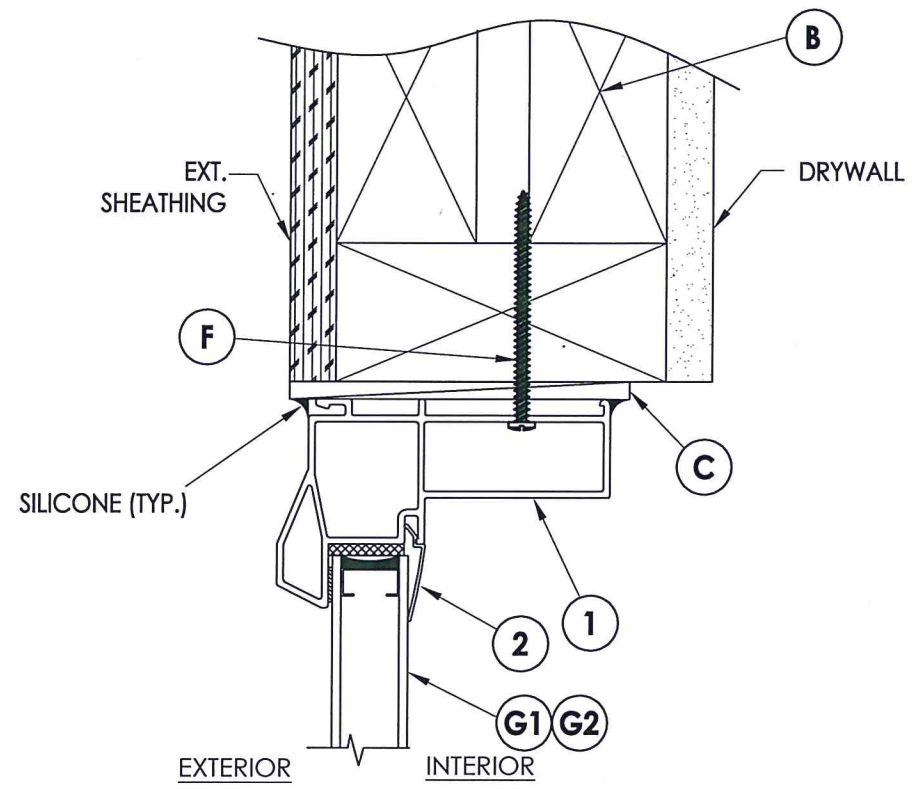
DATE: 2/7/13
SCALE: N.T.S.
DWG. BY: JK
CHK. BY: LFS
DRAWING NO.: TX-4272
SHEET 1 OF 4

R:\Clients\Associated PERMANENT\B - Texas Dept of Ins\Fixed\WIN 111 Fixed Windows\C - Drawings\2018 IBC Update\TX-4272.dwg, 2.1

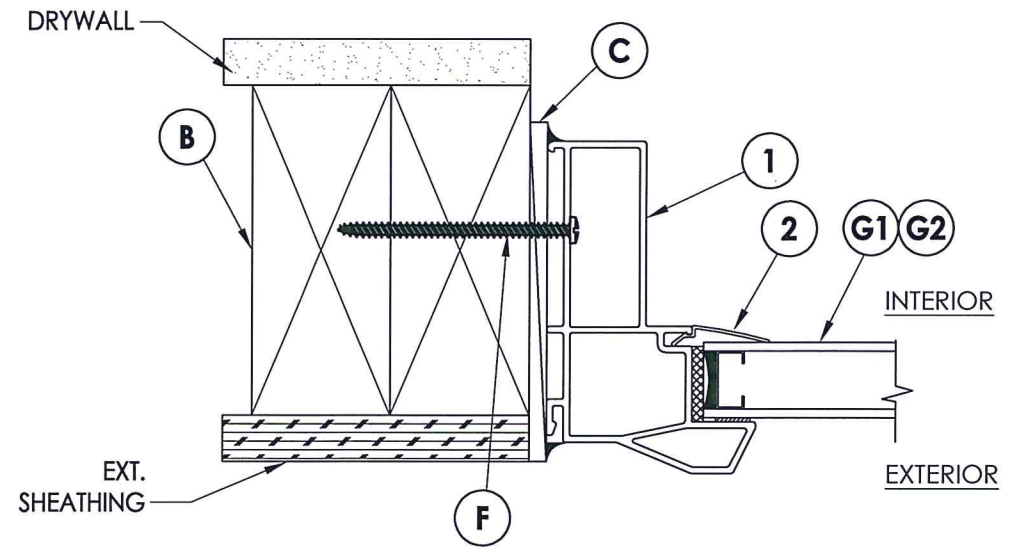


2x framing to be designed by the engineer or architect of record

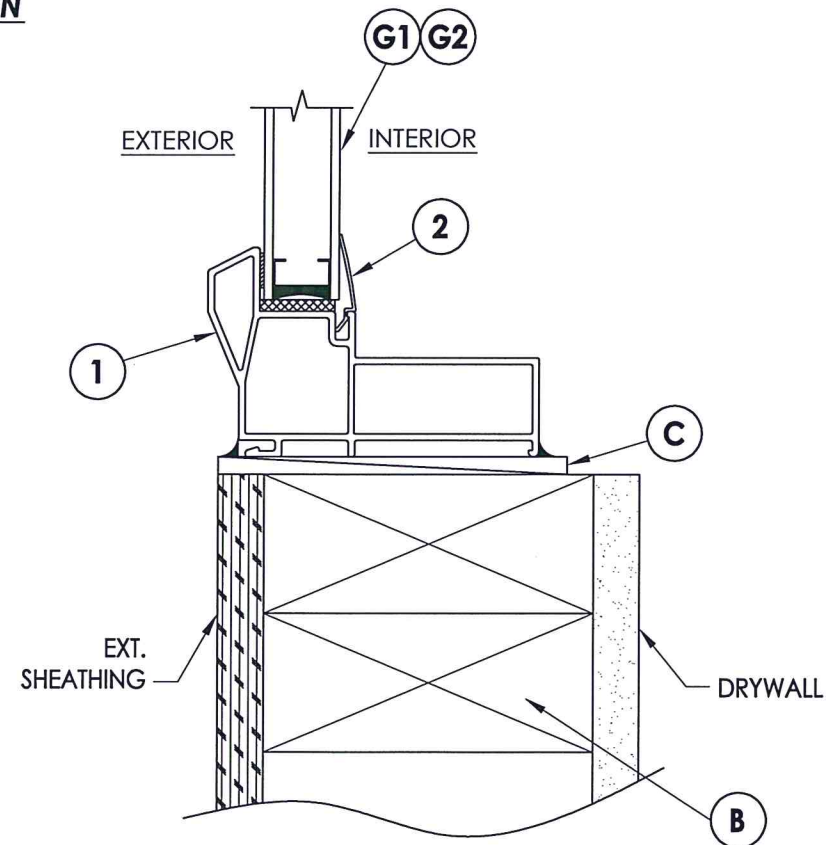
FRAME ANCHORING
2X Stud Construction



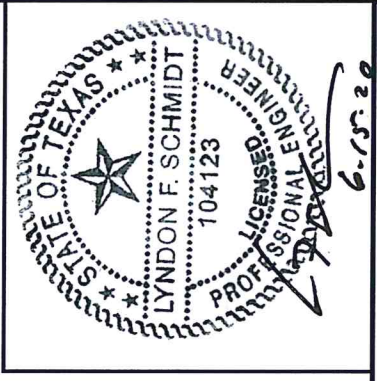
2 HORIZONTAL CROSS SECTION



1 HORIZONTAL CROSS SECTION



3 VERTICAL CROSS SECTION



Documents Prepared By: Lyndon F. Schmidt, P.E.
TEXAS P.E. #104123

RW BUILDING CONSULTANTS, INC.
P.O. Box 230 Valrico FL 33595
Phone No.: 813.659.9197

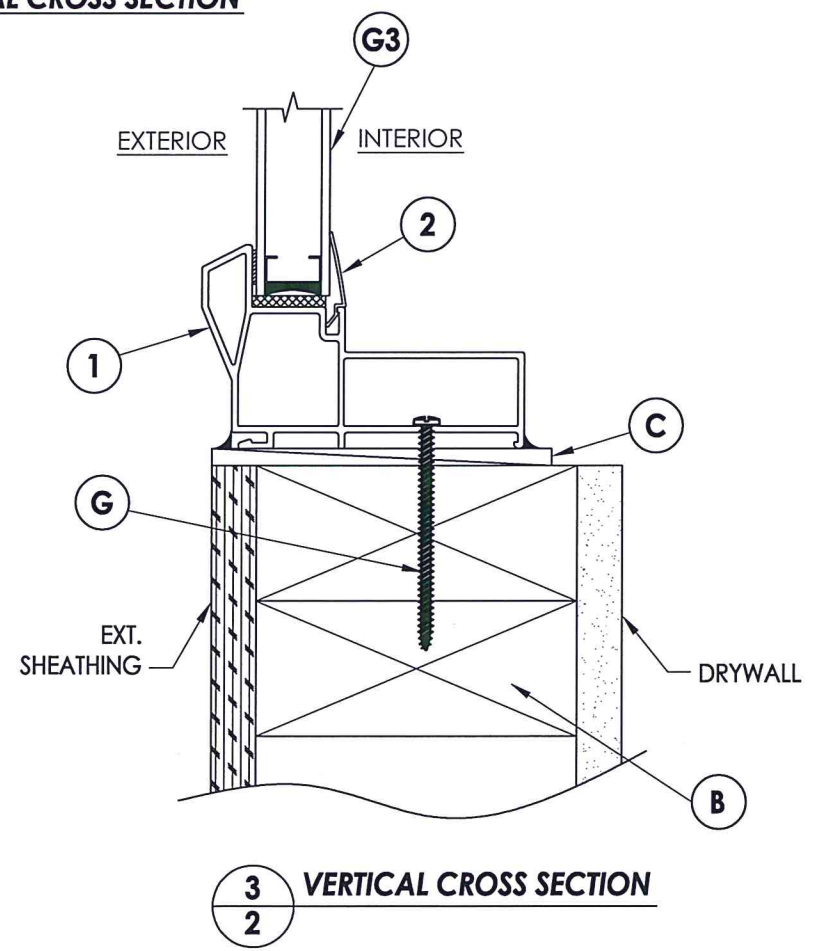
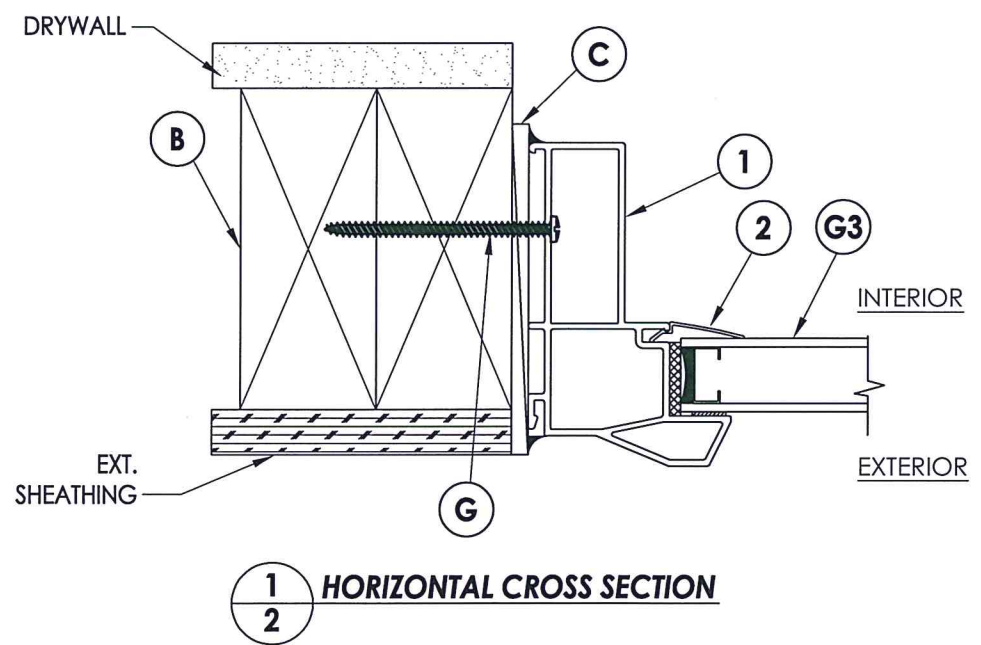
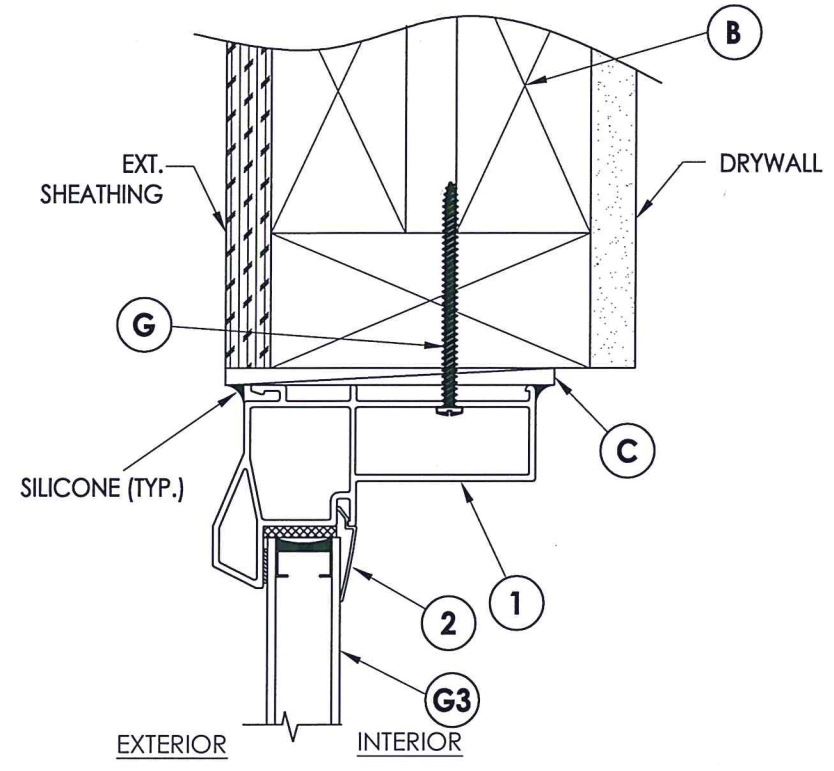
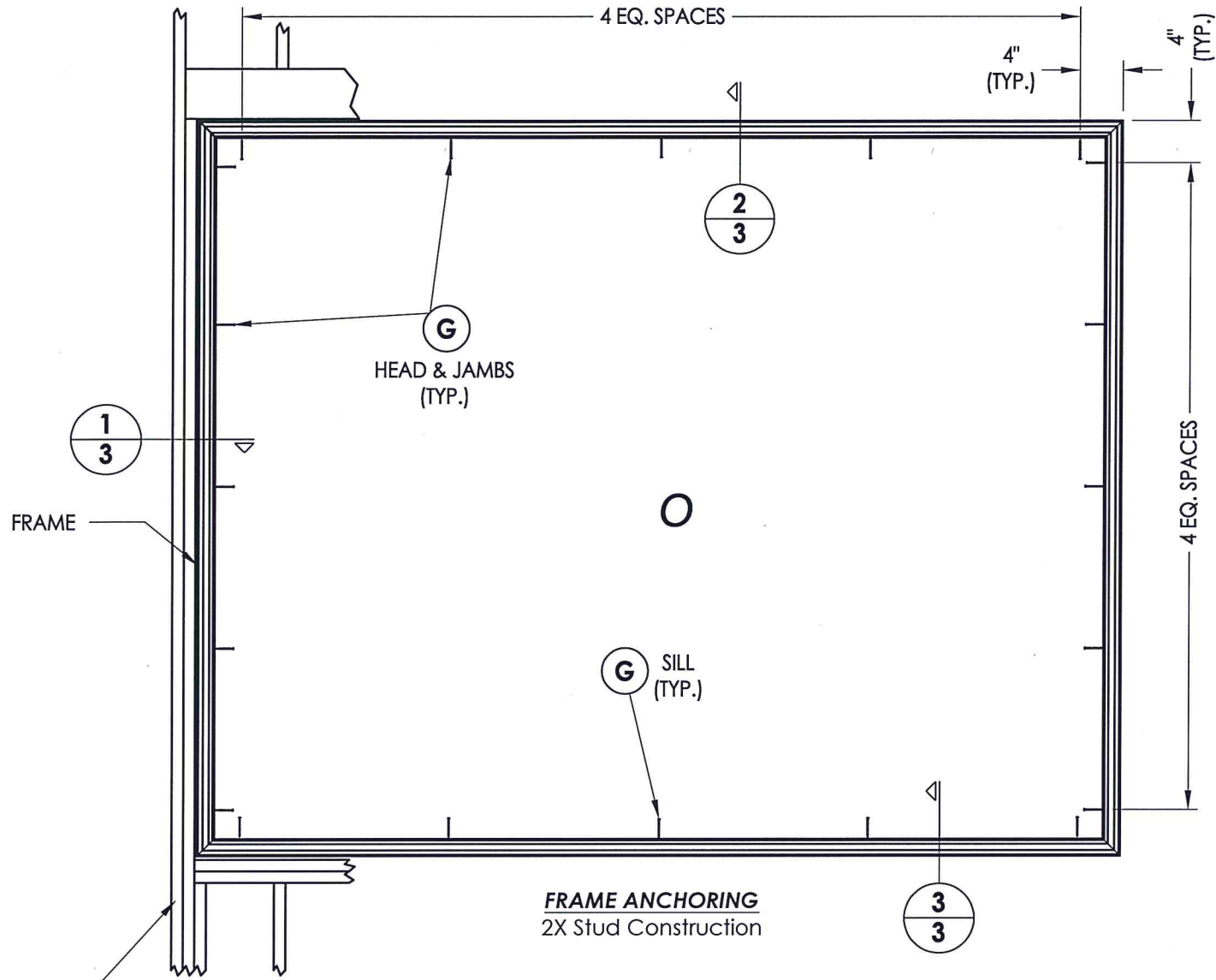
TEXAS BOARD OF PROFESSIONAL ENGINEERS
CERTIFICATE OF REGISTRATION # F-11852

PRODUCT:	FIXED WINDOW
PART OR ASSEMBLY:	FRAME ANCHORING & CROSS SECTIONS

NO.	DATE	REVISIONS
2	6/15/20	UPDATE TO 2018 IBC/IRC AND FOR NEW TESTING
1	07/30/15	REVISE FOR NEW TESTING
		BY

DATE:	2/7/13
SCALE:	N.T.S.
DWG. BY:	JK
CHK. BY:	LFS
DRAWING NO.:	TX-4272
SHEET	2 OF 4

R:\Clients\Associated PERMANENT\B - Texas Dept of Ins\Fixed\WIN 111 Fixed Windows\C - Drawings\2018 IBC Update\TX-4272.dwg, 3.1



Documents Prepared By: Lyndon F. Schmidt, P.E.
TEXAS P.E. #104123

RW BUILDING CONSULTANTS, INC.
P.O. Box 230 Vairico FL, 33595
Phone No.: 813.659.9197

TEXAS BOARD OF PROFESSIONAL ENGINEERS
CERTIFICATE OF REGISTRATION # F-11852

PRODUCT:	FIXED WINDOW		
PART OR ASSEMBLY:	FRAME ANCHORING & CROSS SECTIONS		
NO.	DATE	TESTING	BY
2	6/15/20	UPDATE TO 2018 IBC/IRC AND FOR NEW TESTING	LFS
1	07/30/15	REVISE FOR NEW TESTING	LFS
REVISIONS			
DATE:	2/7/13		
SCALE:	N.T.S.		
DWG. BY:	JK		
CHK. BY:	LFS		
DRAWING NO.:	TX-4272		
SHEET	3	OF	4

© 2013 R.W. BUILDING CONSULTANTS INC.

