

WINTECH WINDOW TECHNOLOGY INC.

SERIES 225 HORIZONTAL SLIDER (NON-IMPACT)

WINTeCH

WINDOW TECHNOLOGY, INC.

201 INDUSTRIAL DRIVE
MONETT, MO 65708
WWW.WINTECHINC.COM

PH: (417) 235-7821 FX: (417) 737-7140

INSTALLATION NOTES:

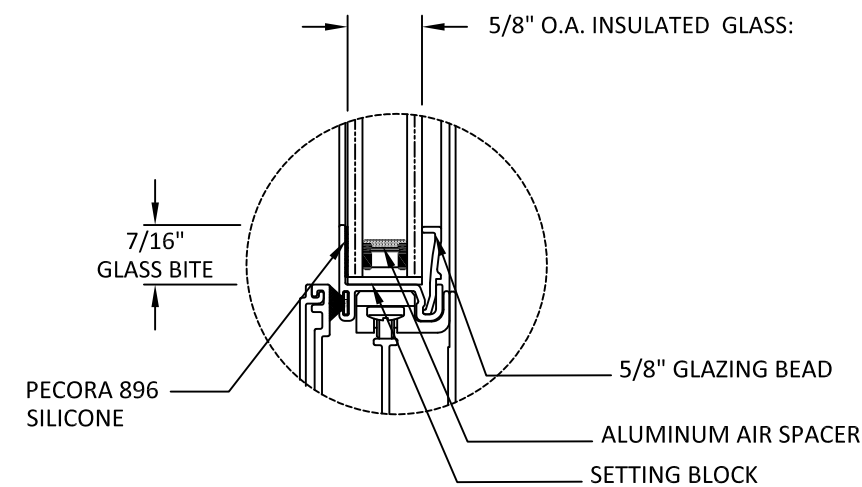
- ONE (1) INSTALLATION ANCHOR IS REQUIRED AT EACH ANCHOR LOCATION SHOWN, UNLESS OTHERWISE STATED.
- THE NUMBER OF INSTALLATION ANCHORS DEPICTED IS THE MINIMUM NUMBER OF ANCHORS TO BE USED FOR PRODUCT INSTALLATION.
- INSTALL INDIVIDUAL INSTALLATION ANCHORS WITHIN A TOLERANCE OF $\pm 1/16$ INCH OF THE DEPICTED LOCATION IN THE ANCHOR LAYOUT DETAIL (I.E., WITHOUT CONSIDERATION OF TOLERANCES). TOLERANCES ARE NOT CUMULATIVE FROM ONE INSTALLATION ANCHOR TO THE NEXT.
- NAIL FIN:** FOR INSTALLATION INTO 2X WOOD BUCK OR FRAMING, USE ONE #8 WOOD SCREW, TYPE INSTALLATION ANCHOR PER LOCATION OF SUFFICIENT LENGTH TO ACHIEVE A MINIMUM 1 1/2" EMBEDMENT.
- NAIL FIN:** FOR INSTALLATION INTO METAL STUD, USE ONE #8 SELF-DRILLING SCREW, TYPE INSTALLATION ANCHOR PER LOCATION OF SUFFICIENT LENGTH TO ACHIEVE MINIMUM PENETRATION OF 3 THREADS BEYOND METAL STRUCTURE.
- MINIMUM EMBEDMENT AND EDGE DISTANCE EXCLUDE WALL FINISHES, INCLUDING BUT NOT LIMITED TO STUCCO, FOAM, BRICK VENEER, AND SIDING.
- INSTALLATION ANCHORS AND ASSOCIATED HARDWARE MUST BE MADE OF CORROSION RESISTANT MATERIAL OR HAVE A CORROSION RESISTANT COATING.
- INSTALLATION ANCHORS SHALL BE INSTALLED IN ACCORDANCE WITH ANCHOR MANUFACTURER'S INSTALLATION INSTRUCTIONS, AND ANCHORS SHALL NOT BE USED IN SUBSTRATES WITH STRENGTHS LESS THAN THE MINIMUM STRENGTH SPECIFIED BY THE ANCHOR MANUFACTURER.
- INSTALLATION ANCHOR CAPACITIES FOR PRODUCTS HEREIN ARE BASED ON SUBSTRATE MATERIALS WITH THE FOLLOWING PROPERTIES:
 - STEEL - MIN. TENSILE YIELD STRENGTH OF 33 KSI. MIN. 18 GAUGE THICKNESS (0.0478"). MIN 1/2" EDGE DISTANCE.
 - WOOD - MINIMUM SPECIFIC GRAVITY = 0.42
 - ALUMINUM - MIN. 6063-T5, MIN 1/8" WALL THICKNESS, MIN. 1/2" EDGE DISTANCE.

GENERAL NOTES:

- THE PRODUCT SHOWN HEREIN IS DESIGNED AND MANUFACTURED TO COMPLY WITH THE 2018 INTERNATIONAL BUILDING CODE AND THE 2018 INTERNATIONAL RESIDENTIAL CODE(IRC) AND HAS BEEN EVALUATED TO THE FOLLOWING:
 - AAMA/WDAMA/CSA 101/I.S.2/A440-11
- ADEQUACY OF THE EXISTING STRUCTURAL 2X WOOD FRAMING OR METAL STUD FRAMING AS A MAIN WIND FORCE RESISTING SYSTEM CAPABLE OF WITHSTANDING AND TRANSFERRING APPLIED PRODUCT LOADS TO THE FOUNDATION IS THE RESPONSIBILITY OF THE ENGINEER OR ARCHITECT OF RECORD FOR THE PROJECT OF INSTALLATION.
- THE INSTALLATION DETAILS DESCRIBED HEREIN ARE GENERIC AND MAY NOT REFLECT ACTUAL CONDITIONS FOR A SPECIFIC SITE. IF SITE CONDITIONS CAUSE INSTALLATION TO DEVIATE FROM THE REQUIREMENTS DETAILED HEREIN, A LICENSED ENGINEER OR ARCHITECT SHALL PREPARE SITE SPECIFIC DOCUMENTS FOR USE WITH THIS DOCUMENT IN NON-HVHZ AREA.
- THE INSTALLATION DETAILS DESCRIBED HEREIN ARE GENERIC AND MAY NOT REFLECT ACTUAL CONDITIONS FOR A SPECIFIC SITE. IF SITE CONDITIONS CAUSE INSTALLATION TO DEVIATE FROM THE REQUIREMENTS DETAILED HEREIN, A LICENSED ENGINEER OR ARCHITECT SHALL PREPARE SITE SPECIFIC DOCUMENTS FOR THE USE WITH THIS DOCUMENT.
- APPROVED IMPACT PROTECTIVE SYSTEM **IS REQUIRED** TO PROTECT THIS PRODUCT IN AREAS REQUIRING IMPACT RESISTANCE.
- GLAZING COMPLIES WITH LOAD RESISTANCE REQUIREMENTS PER ASTM E1300-04.
- FRAME MATERIAL: 6063-T6 ALUMINUM
- DESIGNATION "X" AND "O" STAND FOR THE FOLLOWING
X: OPERABLE PANEL
O: FIXED PANEL

TABLE OF CONTENTS	
SHEET	SHEET DESCRIPTION
1	GENERAL AND INSTALLATION NOTES
2	ELEVATION & ANCHOR LAYOUTS
3	VERTICAL SECTIONS
4	HORIZONTAL SECTIONS
5	BILL OF MATERIALS & COMPONENTS

DESIGN PRESSURE			
MAX. OVERALL SIZE		DESIGN PRESSURE	IMPACT RATING
WIDTH (IN)	HEIGHT (IN)		
71.00	56.00	+/- 30 PSF	NON-IMPACT RATED
60.00	42.00	+/- 50 PSF	



GLAZING DETAIL 1

NOTES:

- GLASS TYPE SHALL COMPLY WITH ASTM E 1300 REQUIREMENT GLASS CHARTS AS WELL AS APPLICABLE SAFETY GLAZING REQUIREMENTS PER THE IBC. TEMPERED AND SAFETY GLAZING REQUIREMENTS SHALL BE REVIEWED ON A SITE SPECIFIC BASIS.

TITLE: SERIES 225 HORIZONTAL SLIDER
(NON-IMPACT)
GENERAL AND INSTALLATION NOTES

PREPARED BY:

BUILDING DROPS, INC.
398 E. DANIA BEACH BLVD., STE. 338
DANIA BEACH, FL 33004
PH: (954)399-8478
FAX: (954)744-4738
WEB: www.buildingdrops.com



REMARKS	BY	DATE

THE INSTALLATION DETAILS DESCRIBED HEREIN ARE GENERIC AND MAY NOT REFLECT ACTUAL CONDITIONS FOR A SPECIFIC SITE. IF SITE CONDITIONS CAUSE INSTALLATION TO DEVIATE FROM THE REQUIREMENTS DETAILED HEREIN, A LICENSED ENGINEER OR ARCHITECT SHALL PREPARE SITE SPECIFIC DOCUMENTS FOR USE WITH THIS DOCUMENT.



HERMES F. NORERO, P.E.
TEXAS P.E. No 118471
BUILDING DROPS, INC
398 E. DANIA BEACH BLVD. # 338
DANIA BEACH, FL 33004
TBPE CERT. OF AUTHORIZATION No. 13734

DATE: 02.27.2020

DWG. BY: YC
CHK. BY: HFN

SCALE: NTS

DWG. #: WNT006

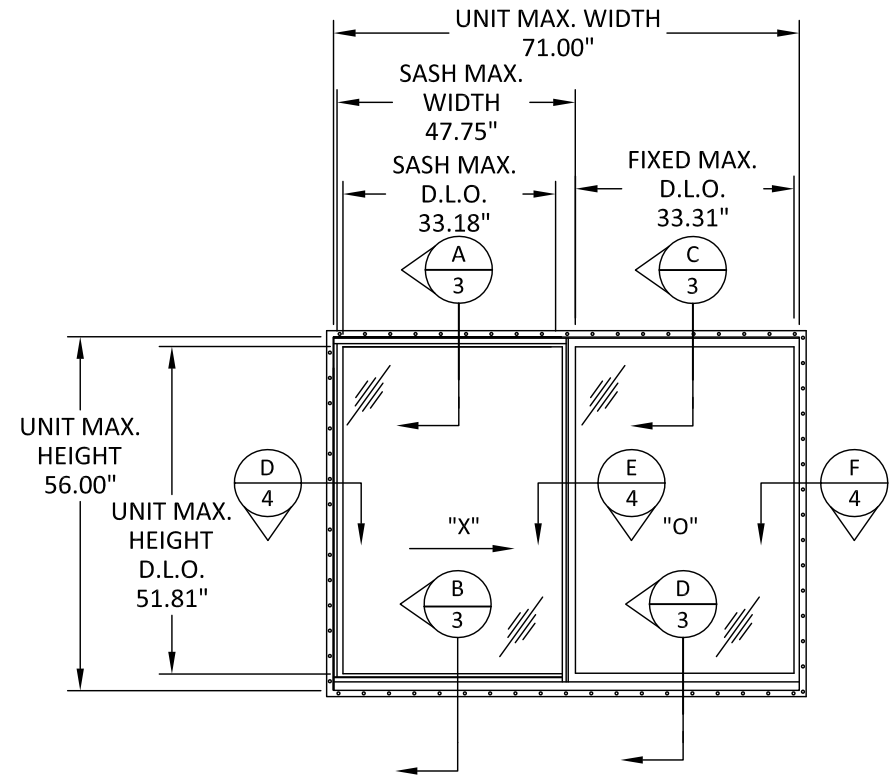
SHEET:

1

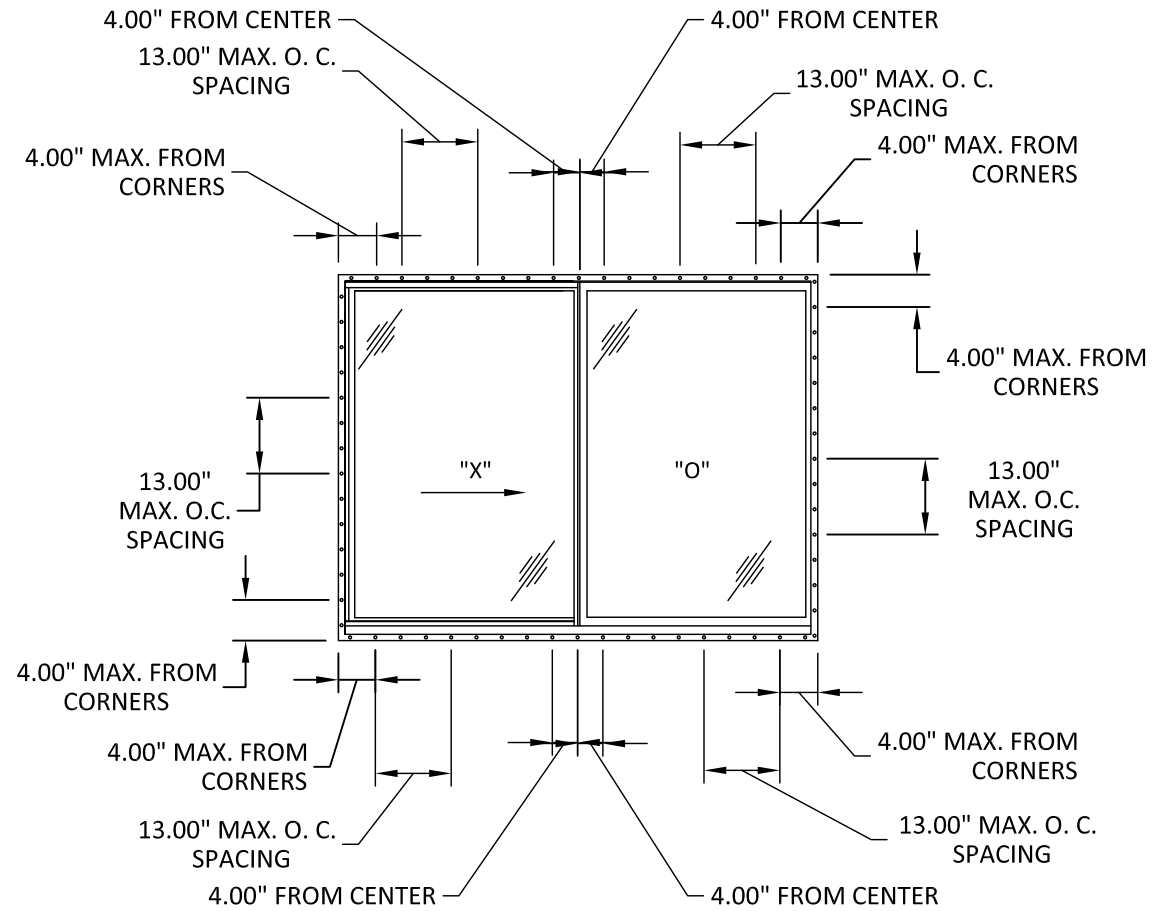
OF 5

4/27/2020 10:07 AM

s:\projects\wintech\tdl-20-0125 tdl submittal - series 225 horizontal slider window\dwgs\wnt006.dwg



EXTERIOR ELEVATION
HORIZONTAL SLIDER
1:1 SASH RATIO



EXTERIOR ELEVATION
HORIZONTAL SLIDER
1:1 SASH RATIO

WINTech

WINDOW TECHNOLOGY, INC.

201 INDUSTRIAL DRIVE
MONETT, MO 65708
WWW.WINTECHINC.COM

PH: (417) 235-7821 FX: (417) 737-7140

TITLE: **SERIES 225 HORIZONTAL SLIDER (NON-IMPACT) ELEVATIONS AND ANCHOR LAYOUTS**

PREPARED BY: **BUILDING DROPS, INC.**

398 E. DANIA BEACH BLVD., STE. 338
DANIA BEACH, FL 33004
PH: (954)399-8478
FAX: (954)744-4738
WEB: www.buildingdrops.com



REMARKS	BY	DATE

THE INSTALLATION DETAILS DESCRIBED HEREIN ARE GENERIC AND MAY NOT REFLECT ACTUAL CONDITIONS FOR A SPECIFIC SITE. IF SITE CONDITIONS CAUSE INSTALLATION TO DEVIATE FROM THE REQUIREMENTS DETAILED HEREIN, A LICENSED ENGINEER OR ARCHITECT SHALL PREPARE SITE SPECIFIC DOCUMENTS FOR USE WITH THIS DOCUMENT.



HERMES F. NORERO, P.E.
TEXAS P.E. No 118471
BUILDING DROPS, INC
398 E. DANIA BEACH BLVD. # 338
DANIA BEACH, FL 33004
TBPE CERT. OF AUTHORIZATION No. 13734

DATE: **02.27.2020**

DWG. BY: **YC** CHK. BY: **HFN**

SCALE: **NTS**

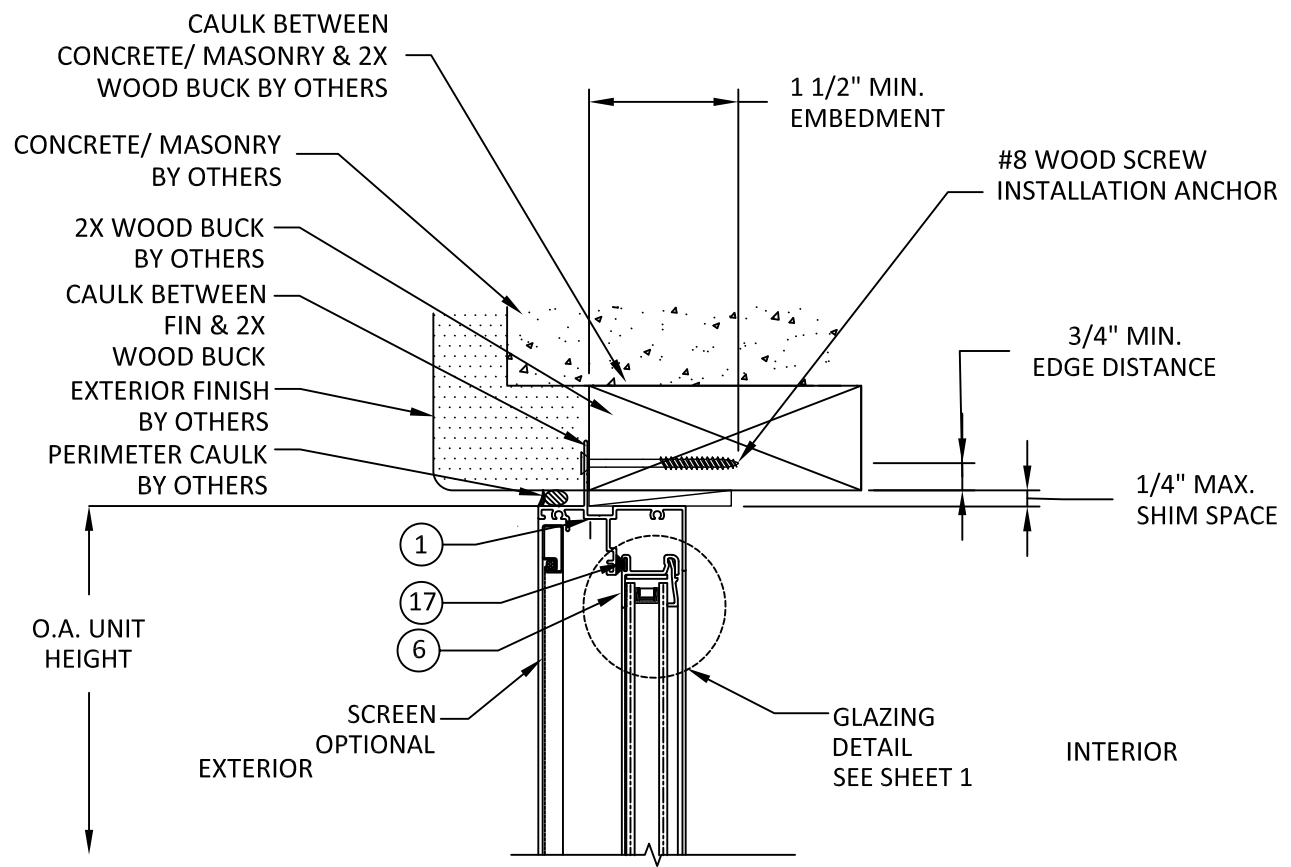
DWG. #: **WNT006**

SHEET:
2

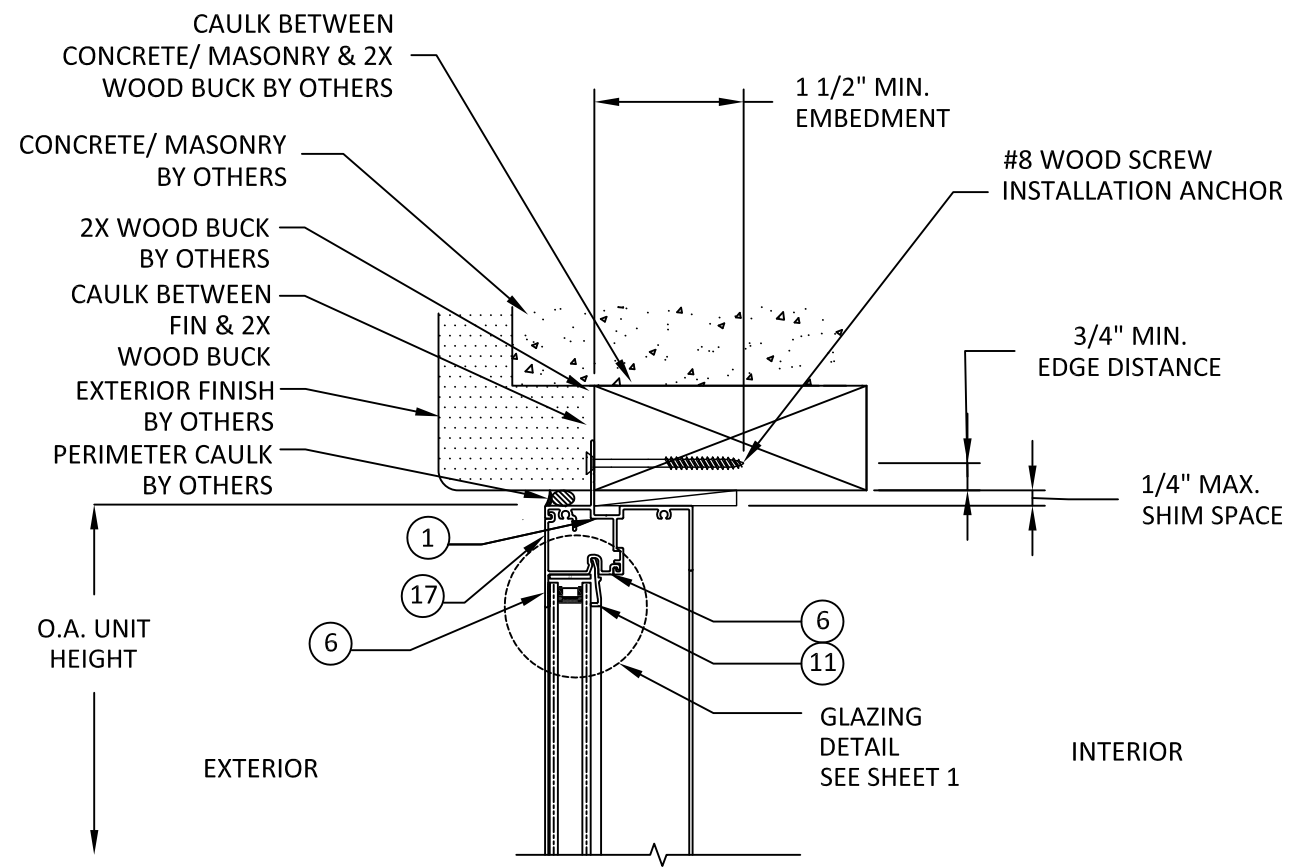
OF 5

4/27/2020 10:07 AM

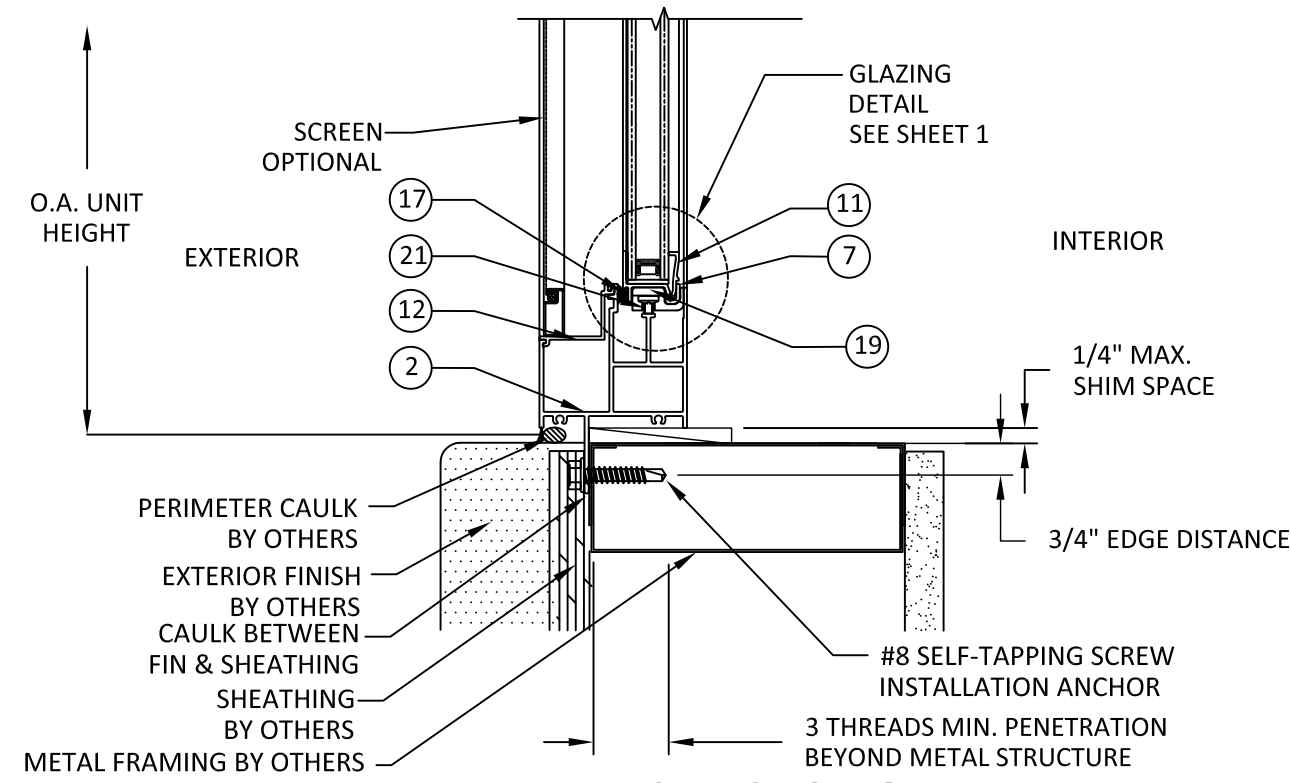
s:\projects\wintech\tdl-20-0125 tdi submittal - series 225 horizontal slider window\dwgs\wnt006.dwg



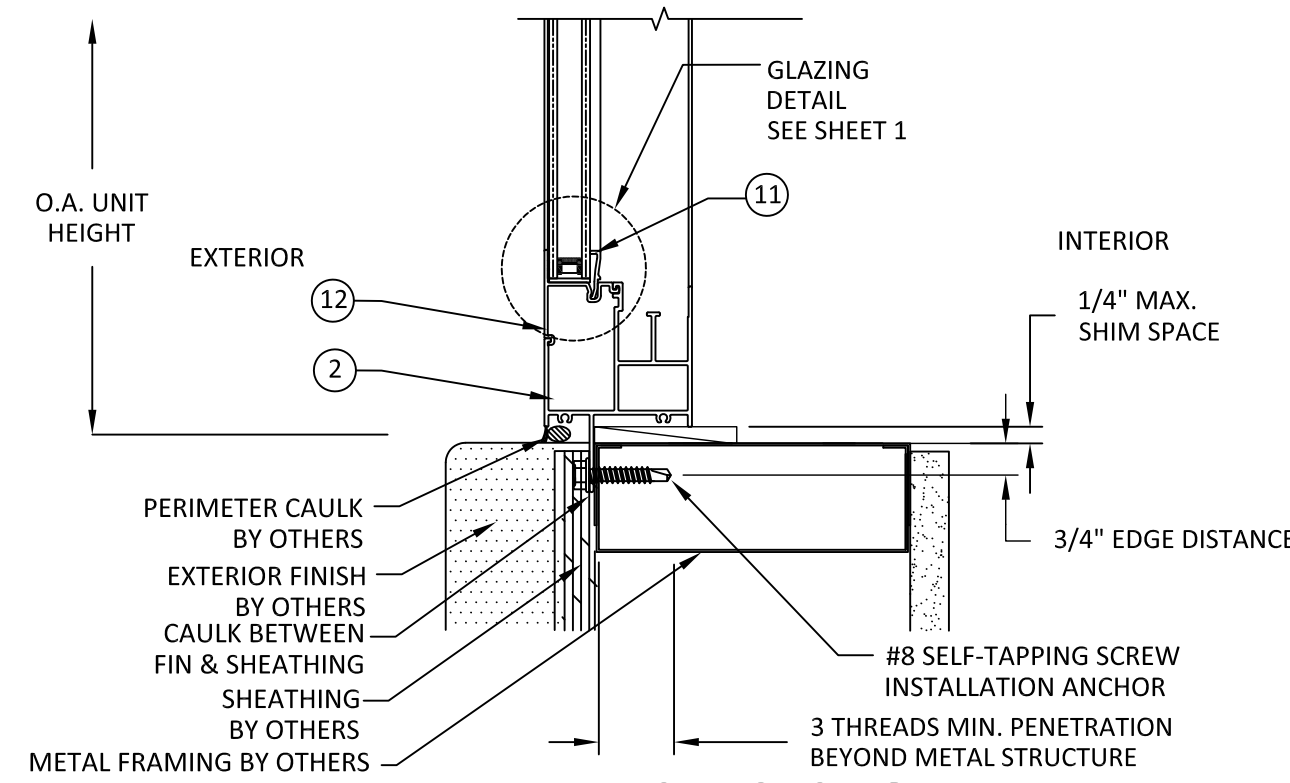
A
3 **VERTICAL SECTION**
SASH HEAD - 2X WOOD BUCK
NAIL FIN



C
3 **VERTICAL SECTION**
FIXED HEAD - 2X WOOD BUCK
NAIL FIN



B
3 **VERTICAL SECTION**
SASH SILL - METAL STUD FRAME
NAIL FIN INSTALLATION



D
3 **VERTICAL SECTION**
FIXED SILL - METAL STUD FRAME
NAIL FIN INSTALLATION

WINTech
WINDOW TECHNOLOGY, INC.
201 INDUSTRIAL DRIVE
MONETT, MO 65708
WWW.WINTECHINC.COM
PH: (417) 235-7821 FX: (417) 737-7140

TITLE: SERIES 225 HORIZONTAL SLIDER
(NON-IMPACT)
VERTICAL SECTIONS
PREPARED BY: BUILDING DROPS, INC.
398 E. DANIA BEACH BLVD., STE. 338
DANIA BEACH, FL 33004
PH: (954) 399-8478
FAX: (954) 744-4738
WEB: www.buildingdrops.com

REMARKS	BY	DATE

THE INSTALLATION DETAILS DESCRIBED HEREIN ARE GENERIC AND MAY NOT REFLECT ACTUAL CONDITIONS FOR A SPECIFIC SITE. IF SITE CONDITIONS CAUSE INSTALLATION TO DEVIATE FROM THE REQUIREMENTS DETAILED HEREIN, A LICENSED ENGINEER OR ARCHITECT SHALL PREPARE SITE SPECIFIC DOCUMENTS FOR USE WITH THIS DOCUMENT.



HERMES F. NORERO, P.E.
TEXAS P.E. No 118471
BUILDING DROPS, INC
398 E. DANIA BEACH BLVD. # 338
DANIA BEACH, FL 33004
TBPE CERT. OF AUTHORIZATION No. 13734

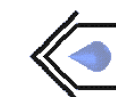
DATE: 02.27.2020	
DWG. BY: YC	CHK. BY: HFN
SCALE: NTS	
DWG. #: WNT006	

SHEET: 3 OF 5

TITLE: SERIES 225 HORIZONTAL SLIDER
(NON-IMPACT)
HORIZONTAL SECTIONS

PREPARED BY:

BUILDING DROPS, INC.
398 E. DANIA BEACH BLVD., STE. 338
DANIA BEACH, FL 33004
PH: (954)399-8478
FAX: (954)744-4738
WEB: www.buildingdrops.com



REMARKS	BY	DATE

THE INSTALLATION DETAILS DESCRIBED HEREIN ARE GENERIC AND MAY NOT REFLECT ACTUAL CONDITIONS FOR A SPECIFIC SITE. IF SITE CONDITIONS CAUSE INSTALLATION TO DEVIATE FROM THE REQUIREMENTS DETAILED HEREIN, A LICENSED ENGINEER OR ARCHITECT SHALL PREPARE SITE SPECIFIC DOCUMENTS FOR USE WITH THIS DOCUMENT.



HERMES F. NORERO, P.E.
TEXAS P.E. No. 118471
BUILDING DROPS, INC
398 E. DANIA BEACH BLVD. # 338
DANIA BEACH, FL 33004
TBPE CERT. OF AUTHORIZATION No. 13734

DATE: 02.27.2020

DWG. BY:
YC

CHK. BY:
HFN

SCALE: NTS

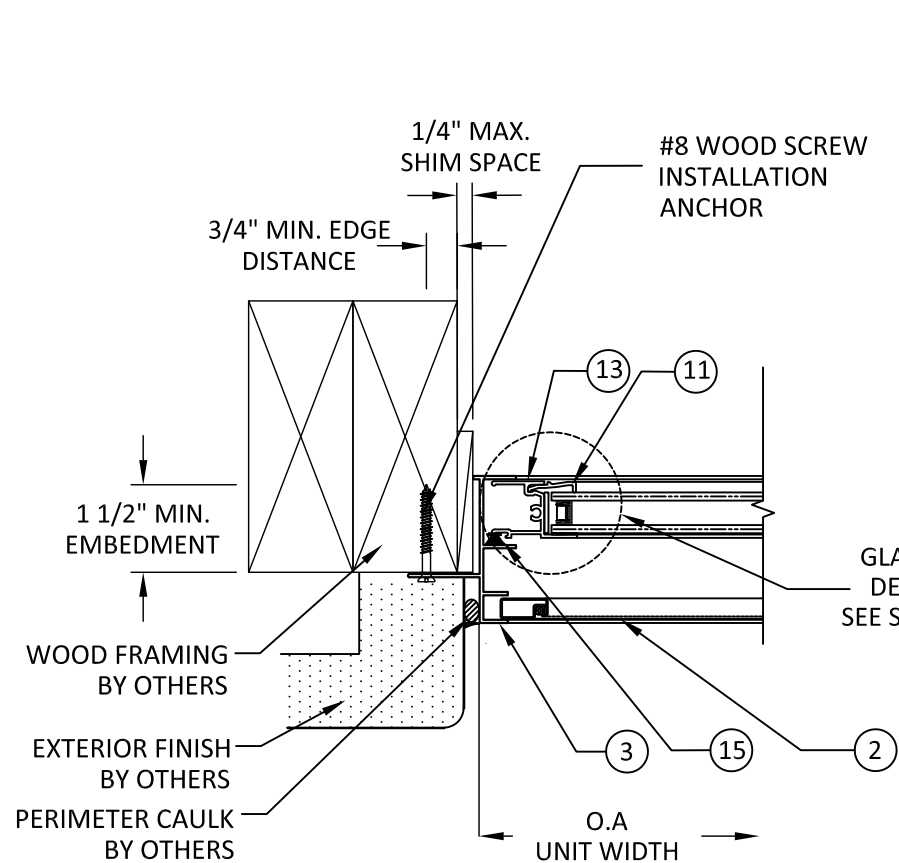
DWG. #: WNT006

SHEET:
4

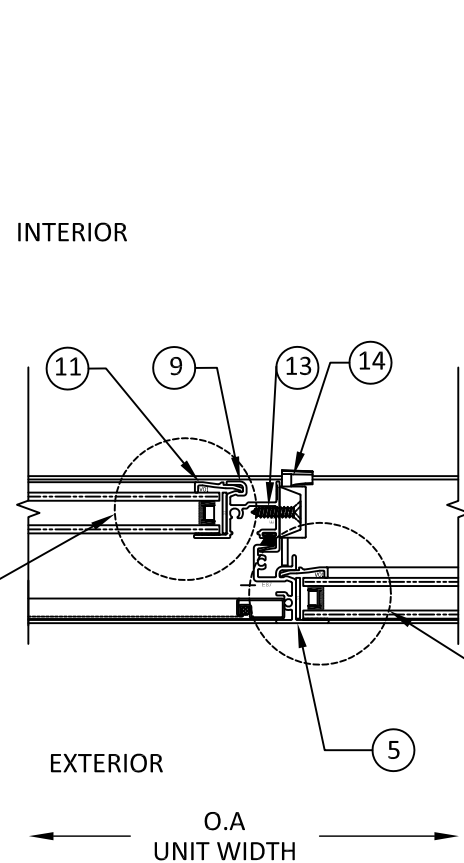
OF 5

4/27/2020 10:08 AM

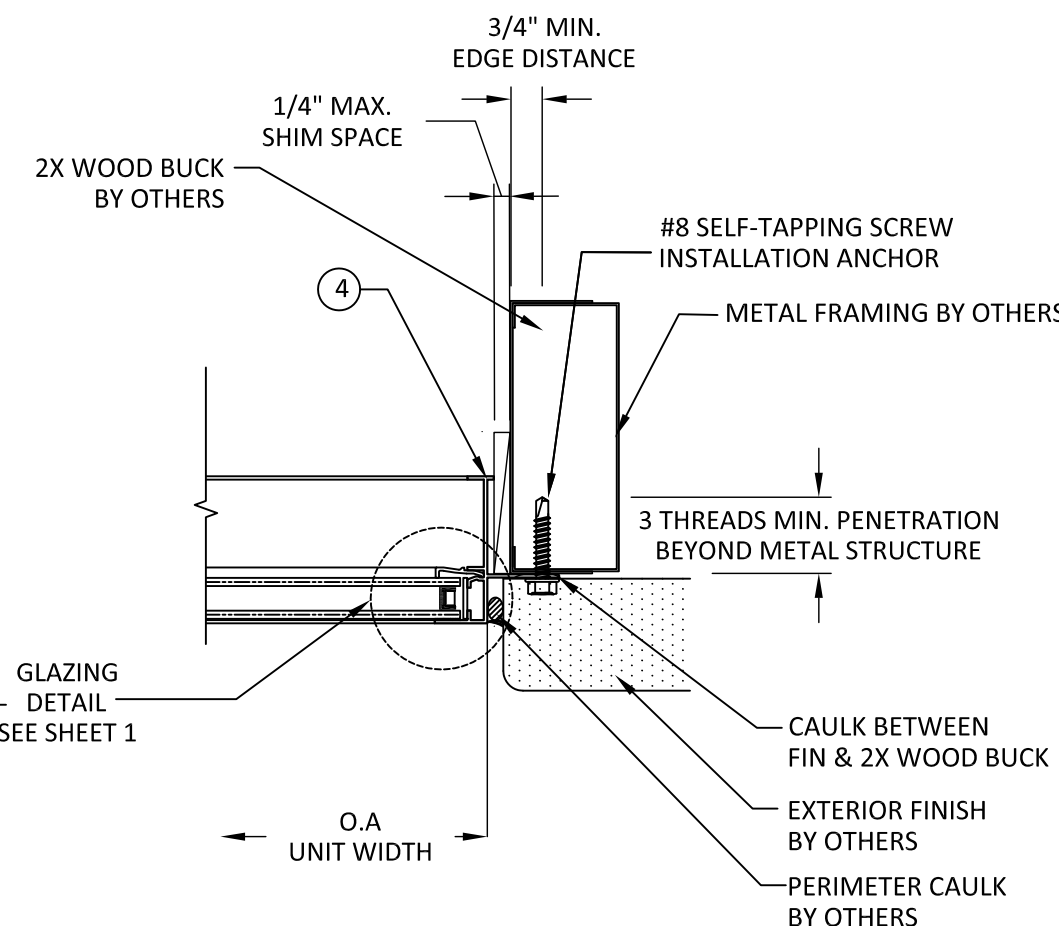
s:\projects\wintech\tdl-20-0125 tdl submittal - series 225 horizontal slider window.dwg\wnt006.dwg



D
4 **HORIZONTAL SECTION**
SASH JAMB - 2X WOOD FRAME
NAIL FIN INSTALLATION



E
4 **HORIZONTAL SECTION**
FRAME MEETING RAIL

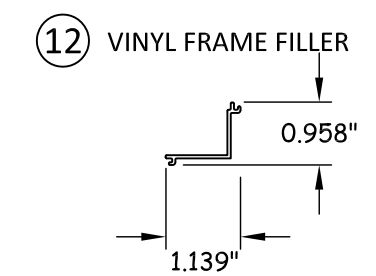
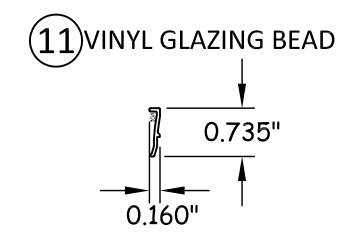
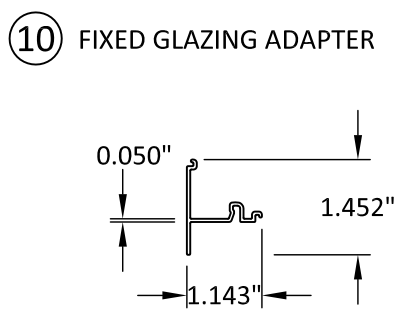
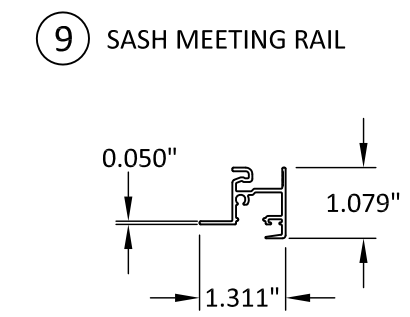
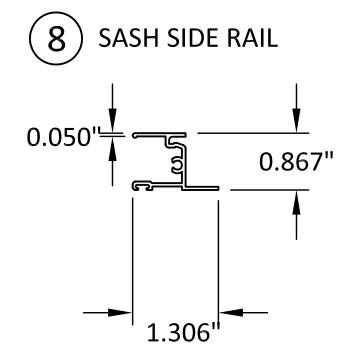
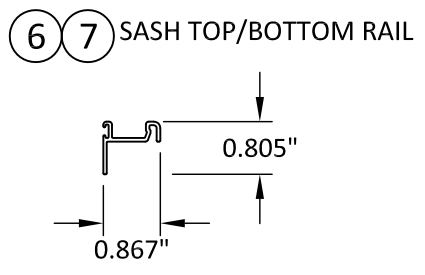
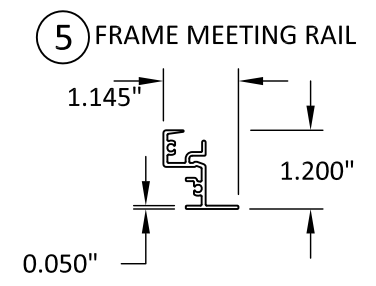
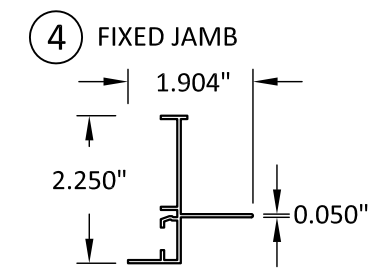
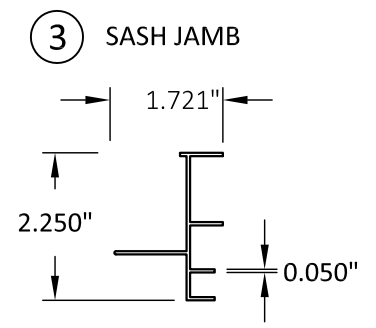
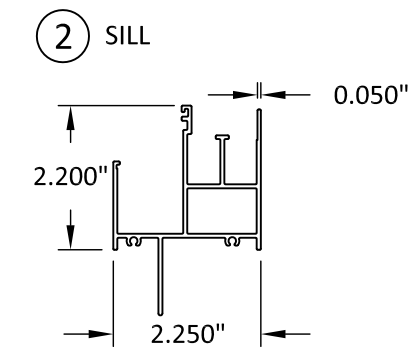
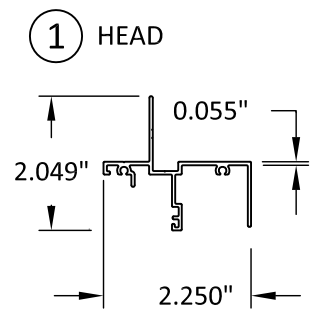


F
4 **HORIZONTAL SECTION**
FIXED JAMB-METAL STUD FRAME
NAIL FIN INSTALLATION

4/27/2020 10:08 AM

s:\projects\wintech\tdl-20-0125 tdl submittal - series 225 horizontal slider window\dwgs\wnt006.dwg

ITEM	PART #	DESCRIPTION	MFG
1	E182	HEAD	PLY GEM/ALENCO
2	E757	7.5 LB. SILL	PLY GEM/ALENCO
3	E184	SASH JAMB	PLY GEM/ALENCO
4	E185	FIXED JAMB	PLY GEM/ALENCO
5	E87	FRAME MEETING RAIL	PLY GEM/ALENCO
6	E102	SASH TOP RAIL	PLY GEM/ALENCO
7	E102	SASH BOTTOM RAIL	PLY GEM/ALENCO
8	E101	SASH SIDE RAIL	PLY GEM/ALENCO
9	E103	SASH MEETING RAIL	PLY GEM/ALENCO
10	E100	FIXED GLAZING ADAPTER	PLY GEM/ALENCO
11	V01	VINYL GLAZING BEAD	QUALITY PROFILE
12	V55	VINYL FRAME FILLER	QUALITY PROFILE
13	96	SWEEP LATCH SCREW	ALLOY FASTENER
14	610	SWEEP LOCK	ROYAL PLASTICS
15	NEW	VERTICAL RAILS	ULTRAFAB
16	33	SETTING BLOCK	SECON
17	72	SASH HORIZONTAL RAIL	AMESBURY
18	SL01	#6 X 1" PL-PH SMS	ALLOY FASTENER
19	SL02	#8 X 1" PL-PH SMS	ALLOY FASTENER
20	877	UPPER SASH GUIDES	FOSHAN KEYEE
21	32	SASH ROLLERS	GOSHAN KEYEE
22	768	HEAD TO SASH JAMB GASKET	SECON
23	769	HEAD TO FIXED JAMB GASKET	SECON
24	G049	FIXED JAMB TO SILL GASKET	SECON
25	G050	SASH JAM TO SILL GASKET	SECON
28		(5/8" IG) 2CLR (.125)	WINTech
29	37H	GLASS SPACER DURALITE	QUANEX
30		SCREEN ASSY	WINTech
31	SMSL008	SEAM SEALER	PECORA
32	8	SILICONE BACKBED	PECORA



WINTech

WINDOW TECHNOLOGY, INC.

201 INDUSTRIAL DRIVE
MONETT, MO 65708
WWW.WINTeCHINC.COM

PH: (417) 235-7821 FX: (417) 737-7140

TITLE: SERIES 225 HORIZONTAL SLIDER
(NON-IMPACT)
BILL OF MATERIAL AND
COMPONENTS

PREPARED BY:
BUILDING DROPS, INC.
398 E. DANIA BEACH BLVD., STE. 338
DANIA BEACH, FL 33004
PH: (954) 399-8478
FAX: (954) 744-4738
WEB: www.buildingdrops.com



REMARKS	BY	DATE

THE INSTALLATION DETAILS DESCRIBED HEREIN ARE GENERIC AND MAY NOT REFLECT ACTUAL CONDITIONS FOR A SPECIFIC SITE. IF SITE CONDITIONS CAUSE INSTALLATION TO DEVIATE FROM THE REQUIREMENTS DETAILED HEREIN, A LICENSED ENGINEER OR ARCHITECT SHALL PREPARE SITE SPECIFIC DOCUMENTS FOR USE WITH THIS DOCUMENT.



HERMES F. NORERO, P.E.
TEXAS P.E. No 118471
BUILDING DROPS, INC
398 E. DANIA BEACH BLVD. # 338
DANIA BEACH, FL 33004
TBPE CERT. OF AUTHORIZATION No. 13734

DATE: 02.27.2020	
DWG. BY: YC	CHK. BY: HFN
SCALE: NTS	
DWG. #: WNT006	
SHEET:	

5

OF 5