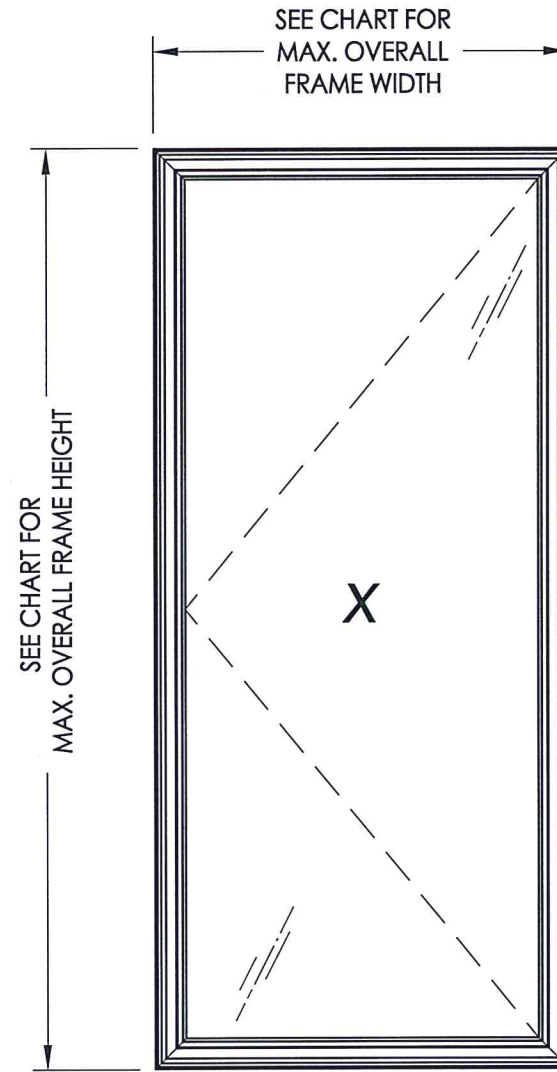




# "Restorations" Series Casement Window "NON-IMPACT"



**EVALUATED FOR USE IN THE STATE OF TEXAS**

The Casement Window described herein complies with the 2018 International Residential Code (IRC), Sections R301 & R609 and the 2018 International Building Code (IBC), Sections 1404.13, 1609, 1709.5, 2403 and 2404 subject to the following conditions:

1. Anchors shall be as listed and spaced as shown in the details. Anchor embedment to base material shall be beyond roof covering.
2. When used in areas requiring wind-borne debris protection this product is required to be protected with an impact resistant covering that complies with Section R301.2.1.2 of the IRC and Section 1609.2 of the IBC.
3. Allowable design pressure requirements must be equal to or less than the design pressure rating shown in the design pressure chart, sheet 1 of this drawing.
4. Conditions not covered by this drawing are subject to further engineering analysis.

TABLE OF CONTENTS	
SHEET #	DESCRIPTION
1	Typical Elevations, Design Pressures & General Notes
2	Frame Anchoring & Cross Section
3	Bill of Materials, Components & Glazing Details

OVERALL FRAME DIMENSION	OVERALL DAY LIGHT DIMENSION	GLASS TYPE	DESIGN PRESSURE (PSF)	
			POS.	NEG.
36.0" X 80.0"	30.5" X 74.5"	G1	+40.0	-40.0
36.0" X 72.0"	30.5" X 66.5"	G1	+45.0	-45.0
40.0" X 60.0"	34.5" X 54.5"	G1	+40.0	-40.0
32.0" X 60.0"	26.5" X 54.5"	G1	+50.0	-50.0
44.0" X 45.0"	38.5" X 39.5"	G1	+50.0	-50.0

Documents Prepared By: Lyndon F. Schmidt, P.E.  
TEXAS P.E. #104123

RW BUILDING CONSULTANTS, INC.  
P.O. Box 230 Valrico FL 33595  
Phone No.: 813.659.9197

STATE OF TEXAS  
LYNDON F. SCHMIDT  
104123  
PROFESSIONAL ENGINEER

2-23-21

PRODUCT: CASEMENT WINDOW

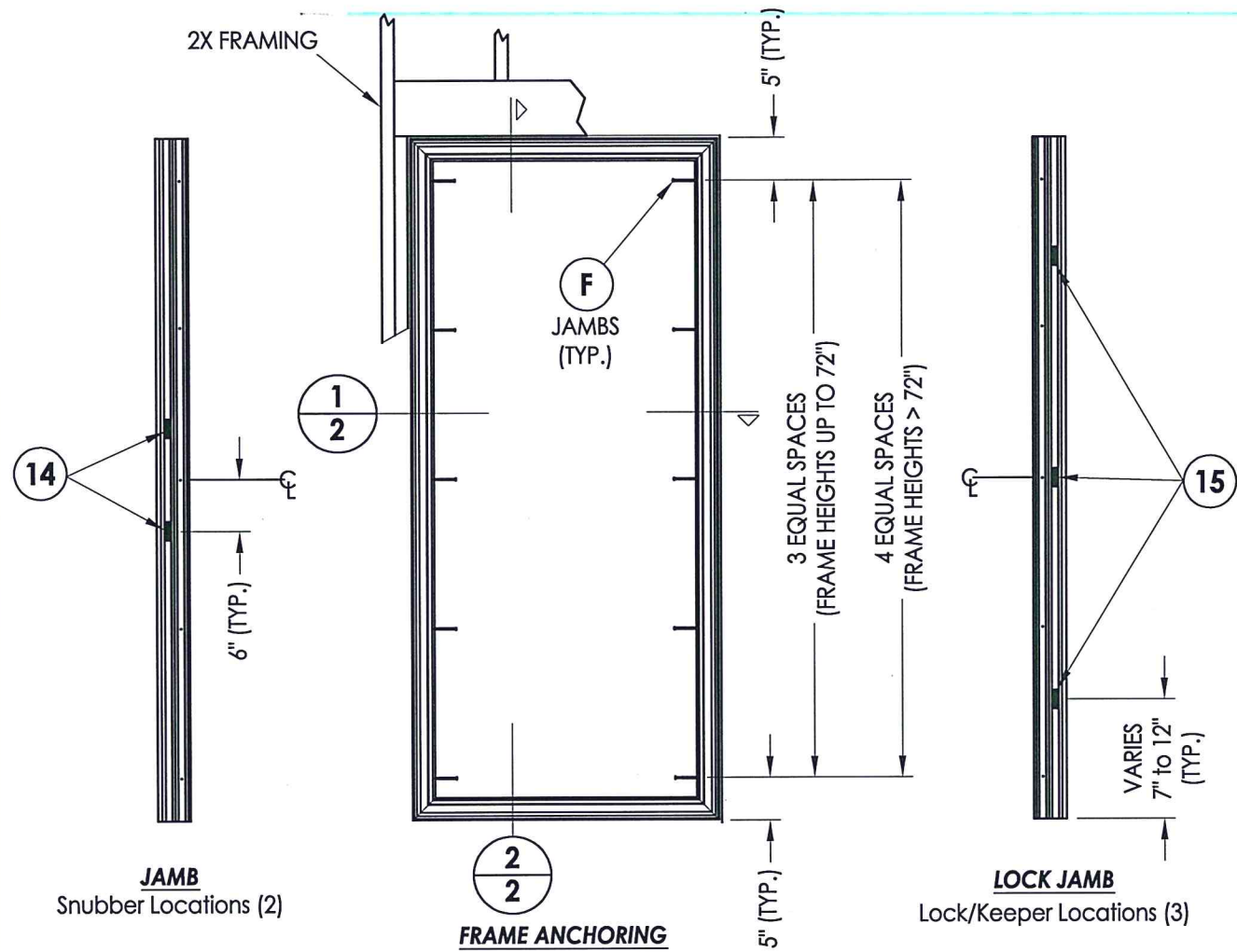
PART OR ASSEMBLY: TYPICAL ELEVATION, DESIGN PRESSURES & GENERAL NOTES

NO.	DATE	BY	REVISIONS

DATE: 4/29/20  
SCALE: N.T.S.  
DWG. BY: TRJ  
CHK. BY: LFS  
DRAWING NO.: TX-5032  
SHEET 1 OF 3

© 2020 R.W. BUILDING CONSULTANTS INC.

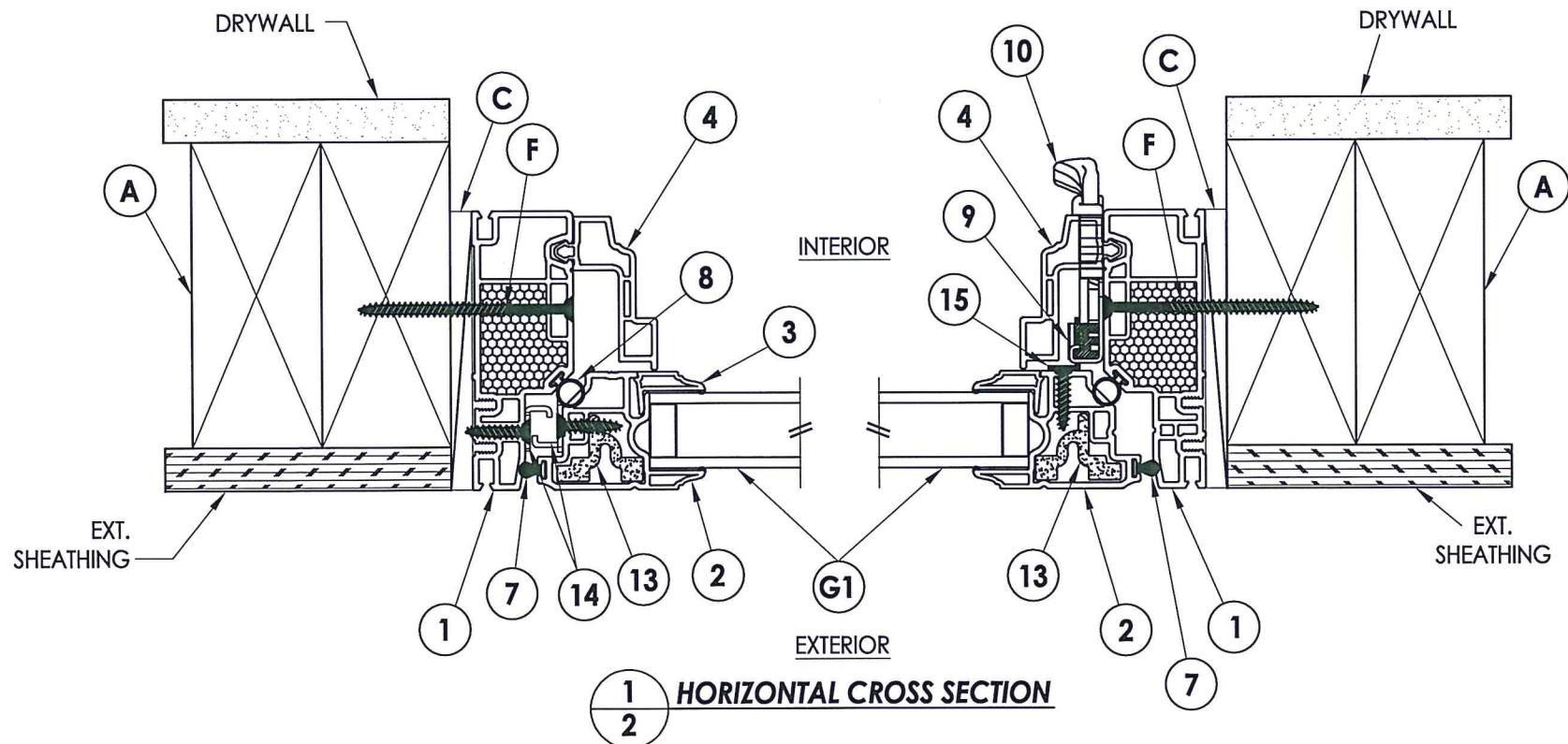
Z:\Clients\Sunrise Windows\B - Texas Dept of Ins\TDI - XXX ID 8816 Casement Restorations Series\C - Drawings\TX-5032.dwg



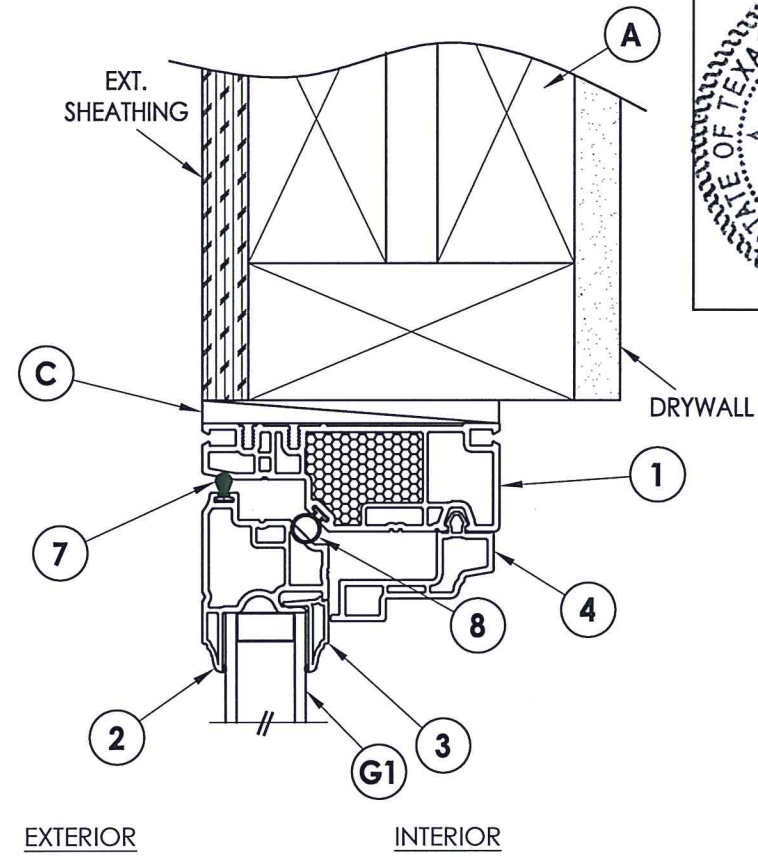
**JAMB**  
Snubber Locations (2)

**2/2**  
**FRAME ANCHORING**

**LOCK JAMB**  
Lock/Keeper Locations (3)



**1/2**  
**HORIZONTAL CROSS SECTION**



**2/2**  
**VERTICAL CROSS SECTION**



Documents Prepared By: Lyndon F. Schmidt, P.E.  
TEXAS P.E. #104123

**RW** BUILDING CONSULTANTS, INC.  
P.O. Box 230 Volrico FL 33595  
Phone No.: 813.659.9197

TEXAS BOARD OF PROFESSIONAL ENGINEERS  
CERTIFICATE OF REGISTRATION # F-11852

PRODUCT: CASEMENT WINDOW

PART OR ASSEMBLY: FRAME ANCHORING & CROSS SECTION

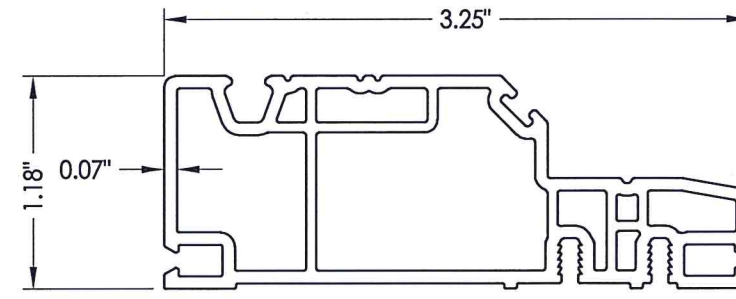
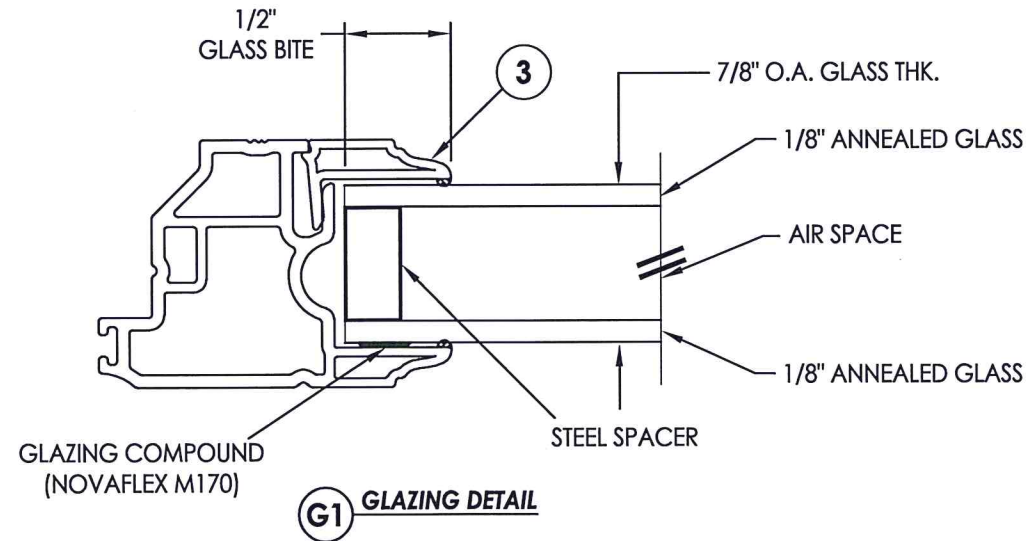
NO.	DATE	BY	REVISIONS

DATE: 4/29/20  
SCALE: N.T.S.  
DWG. BY: TRJ  
CHK. BY: LFS  
DRAWING NO.: TX-5032  
SHEET 2 OF 3

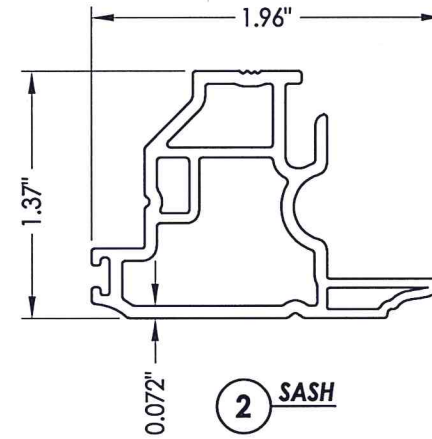
**BILL OF MATERIALS**

ITEM #	DESCRIPTION	MATERIAL
A	2X FRAMING (SG >= 0.42)	WOOD
C	1/4" MAX. SHIM SPACE	-
F	#8 X 2-1/2" PH or FH SMS (1-1/16" MIN. EMBEDMENT)	STEEL
1	EXTRUDED VINYL FRAME *	RIGID PVC
2	EXTRUDED VINYL SASH*	RIGID PVC
3	EXTRUDED VINYL GLAZING BEAD*	RIGID PVC
4	EXTRUDED VINYL FRAME CAP* (HEAD & JAMB)	RIGID PVC
5	EXTRUDED VINYL FRAME CAP* (SILL)	RIGID PVC
7	BULB WEATHERSTRIP	STEEL
8	BULB WEATHERSTRIP	STEEL
9	TIE BAR ASSEMBLY	STEEL
10	LOCK ASSEMBLY	-
11	SINGLE ARM OPERATOR	-
13	STILE REINFORCEMENT	COMP
14	SNUBBER	STEEL
15	KEEPER	STEEL

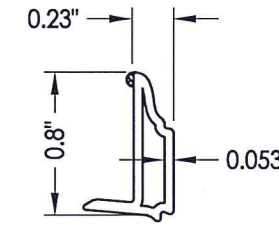
\* THE APPROVED WHITE RIGID PVC EXTERIOR EXTRUSIONS FOR WINDOWS ARE TO BE PRODUCED BY EXTRUDERS LICENSEES IN "CERTIFICATION PROGRAMS FOR RIGID PVC EXTRUSIONS".



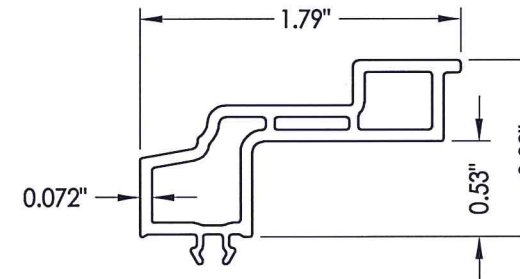
**1 FRAME**



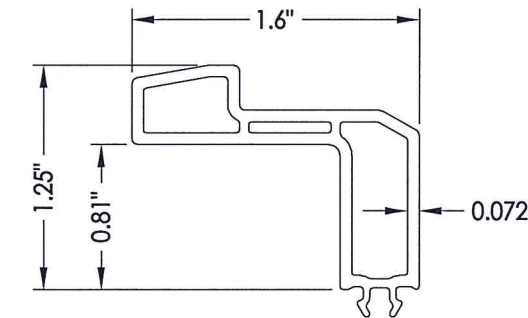
**2 SASH**



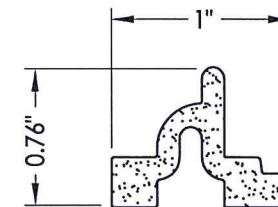
**3 GLAZING BEAD**



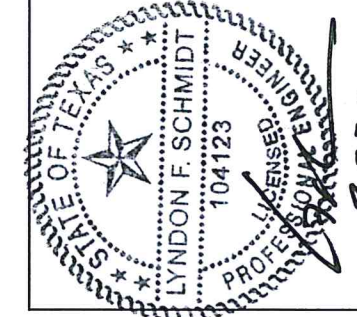
**4 FRAME CAP (HEAD & JAMBS)**



**5 FRAME CAP (SILL)**



**13 STILE REINFORCEMENT**



Documents Prepared By: Lyndon F. Schmidt, P.E.  
TEXAS P.E. #104123

**RW** BUILDING CONSULTANTS, INC.  
P.O. Box 230 Valrico FL 33595  
Phone No.: 813.659.9197

TEXAS BOARD OF PROFESSIONAL ENGINEERS  
CERTIFICATE OF REGISTRATION # F-11852

PRODUCT:	CASEMENT WINDOW
PART OR ASSEMBLY:	BILL OF MATERIALS, COMPONENTS & GLAZING DETAILS

NO.	DATE	BY	REVISIONS

DATE:	4/29/20
SCALE:	N.T.S.
DWG. BY:	TRJ
CHK. BY:	LFS
DRAWING NO.:	TX-5032
SHEET	3 OF 3