

**GENERAL NOTES:**

- ALL FASTENERS SHALL BE IN ACCORDANCE WITH THESE DRAWINGS. SPECIFIED ANCHOR EMBED TO BASE MATERIAL SHALL BE BEYOND WALL FINISH OR STUCCO.
- OPENINGS, BUCKING & BUCKING FASTENERS MUST BE PROPERLY DESIGNED & INSTALLED TO TRANSFER WIND LOADS TO THE STRUCTURE.
- THESE IMPACT RATED & NON-IMPACT RATED PRODUCT INSTALLATIONS ARE IN ACCORDANCE WITH AND MEET THE REQUIREMENTS OF THE 2018 INTERNATIONAL BUILDING CODE (IBC).
- ALL ANCHORS SECURING PRODUCT FRAME TO PRESSURE TREATED BUCKS OR WOOD FRAMING SHALL BE CAPABLE OF RESISTING CORROSION CAUSED BY THE PRESSURE TREATING CHEMICALS IN THE WOOD.
- TO THE BEST OF OUR KNOWLEDGE, THE PRODUCT SHOWN HEREIN IS CERTIFIED & QUALITY ASSURED BY A NATIONALLY ACCREDITED CERTIFICATION/QA ENTITY & SHALL BE LABELED IN ACCORDANCE WITH CERTIFICATION/QA ENTITIES SPECIFICATIONS. PRODUCT ASSEMBLY IS NOT PART OF THIS DRAWING AND SHALL BE IN ACCORDANCE WITH THE MANUFACTURER'S QUALITY ASSURANCE SPECIFICATIONS & TESTING REPORTS.
- CERTIFICATION OF THESE PRODUCT INSTALLATIONS SHALL BE CONSIDERED VOID IF ANY OF THE FOLLOWING APPLY:  
 1) THEY ARE INSTALLED WITHOUT A BUILDING PERMIT FROM THE APPLICABLE LOCAL BUILDING DEPARTMENT. 2) IF THEY ARE INSTALLED BY ANYONE OTHER THAN A LICENSED CONTRACTOR EXPERIENCED WITH WINDOW/DOOR INSTALLATIONS. 3) IF CHANGES HAVE OCCURRED TO THE PRODUCT'S CERTIFICATION ENTITY'S CERTIFICATE THAT CAUSE THESE INSTALLATIONS TO BE INCORRECT OR INCONSISTENT WITH WHAT HAS BEEN TESTED. 4) IF THE LEAST DESIGN PRESSURE SPECIFIED EITHER IN THIS DRAWING OR IN THE PRODUCTS CERTIFICATION SHALL CONTROL FOR THE INSTALLED PRODUCT.
- THESE DRAWINGS CERTIFY THE PRODUCT INSTALLATION ONLY. WATER PROOFING OF THE INSTALLED PRODUCT IS NOT PART OF THIS INSTALLATION CERTIFICATION. THAT RESPONSIBILITY SHALL BE THAT OF THE MANUFACTURER &/OR INSTALLER.

THESE DRAWINGS ARE APPLICABLE ONLY TO THE PRODUCT SPECIFIED. THEY MAY NOT BE USED FOR THE ASSEMBLY AND/OR INSTALLATION OF ANY OTHER PRODUCT NOR MAY THEY BE USED FOR RATIONAL AND/OR LOCAL APPROVAL OF ANY PRODUCT NOT PRODUCED BY THE MANUFACTURER STATED ON THESE DRAWINGS.

DRAWN BY: W.W.S.  
 CHECKED BY: W.W.S.  
 PLOT: 1=16  
 DATE: 11/17/17

INSTALLATION EVALUATION IS BASED ON APPLICABLE ANCHOR STANDARDS AND/OR INFORMATION & RESULTS FROM APPLICABLE TEST REPORTS. THE BUILDING CODE VERSION CONSIDERED WITH THE EVALUATION WAS THAT IN FORCE AT THE TIME OF THE EVALUATION. IN THE EVENT OF CODE VERSION CHANGES/UPDATES OR IN THE EVENT THAT NEW OR ADDITIONAL TESTING IS COMPLETED ON THE REFERENCED PRODUCT, PRIOR TO STATING CODE COMPLIANCE, THE MANUFACTURER SHALL CONFIRM WITH THE INSTALLATION EVALUATION ENGINEER OF RECORD THAT THE INSTALLATIONS SPECIFIED HERE-IN ARE CURRENT WITH THE THEN CURRENT TESTING, CODE AND APPLICABLE STANDARDS.

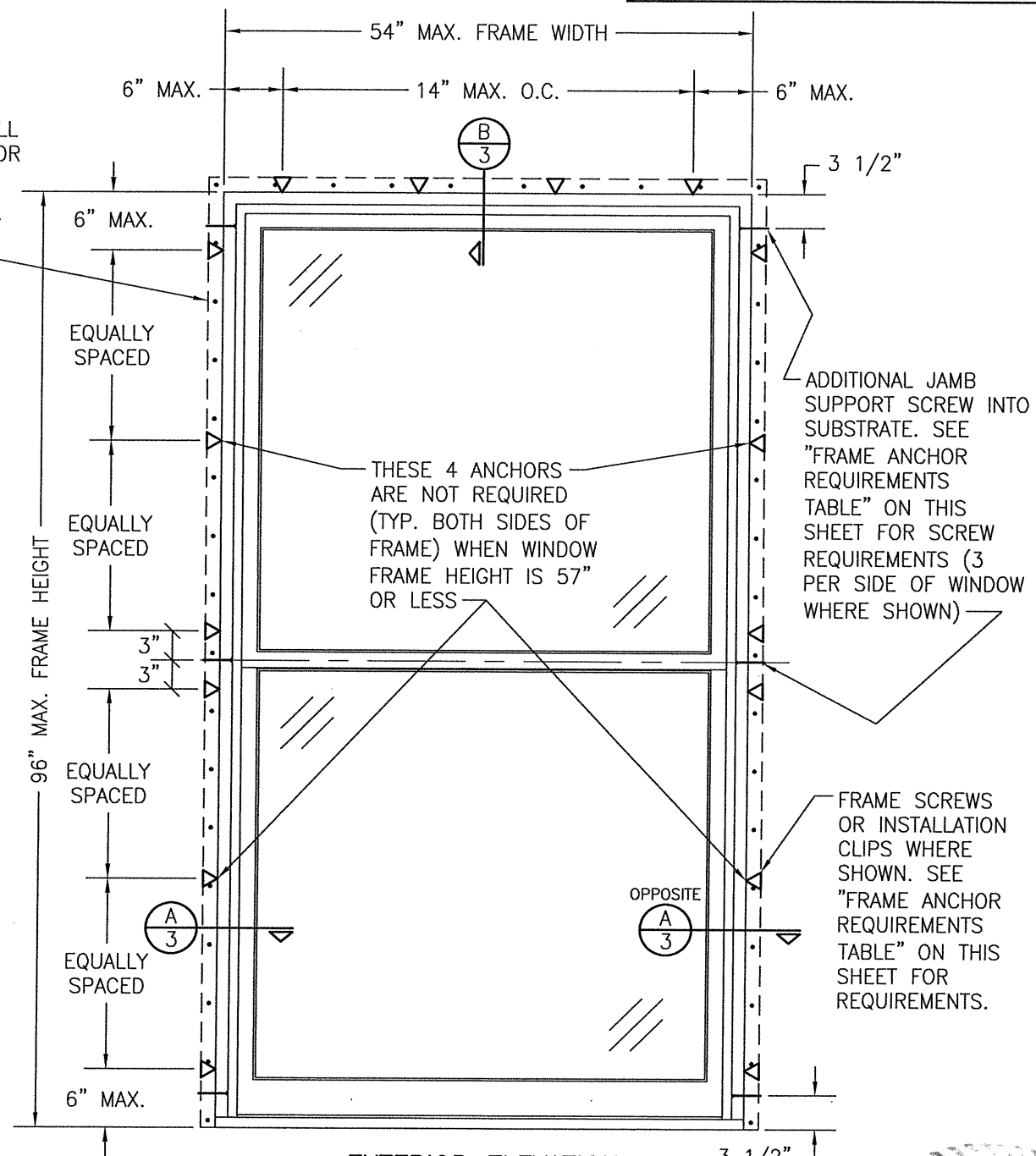
**FRAME ANCHOR REQUIREMENTS TABLE**

OPENING TYPE (SUBSTRATE)	FRAME/CLIP/NAIL FIN TO OPENING FASTENER TYPE	MINIMUM EMBED	MINIMUM EDGE DIST.
<b>FRAME &amp; ADDITIONAL JAMB SUPPORT SCREWS</b>			
MIN. 2X4 WOOD FRAME OR BUCK (MIN. GR. 3 & G=0.55)	NO. 10 SMS OR WOOD SCREW	1 1/4"	3/4"
MIN. 18 GA. 33 KSI METAL STUD	NO. 10 GR. 5 SELF TAP/DRILL SCREW	FULL	1/2"
MIN. 1/8" THK A36 STEEL	NO. 10 GR. 5 SELF TAP/DRILL SCREW	FULL	1/2"
MIN. 1/8" THK 6063-T5 ALUM.	NO. 10 GR. 5 SELF TAP/DRILL SCREW	FULL	1/2"
C-90 CMU/2500 PSI CONCRETE	(1) 1/4" CONCRETE SCREW	1 1/4"	2"
<b>(2) INSTALLATION CLIP SCREWS (STANDARD BENT CONDITION)</b>			
MIN. 2X4 WOOD FRAME OR BUCK (MIN. GR. 3 & G=0.55)	NO. 8 SMS OR WOOD SCREWS	1 3/8"	(2) N/A
MIN. 1/8" THK A36 STEEL	NO. 8 GR. 5 SELF TAP/DRILL SCREW	FULL	(2) N/A
MIN. 1/8" THK 6063-T5 ALUM.	NO. 8 GR. 5 SELF TAP/DRILL SCREW	FULL	(2) N/A
<b>INSTALLATION CLIP SCREWS (ALTERNATE STRAIGHT CONDITION)</b>			
MIN. 2X6 WOOD FRAME OR BUCK (MIN. GR. 3 & G=0.55)	NO. 8 SMS OR WOOD SCREWS	1 3/8"	3/4"
MIN. 18 GA. 33 KSI METAL STUD	NO. 8 GR. 5 SELF TAP/DRILL SCREW	FULL	1/2"
MIN. 1/8" THK A36 STEEL	NO. 8 GR. 5 SELF TAP/DRILL SCREW	FULL	1/2"
MIN. 1/8" THK 6063-T5 ALUM.	NO. 8 GR. 5 SELF TAP/DRILL SCREW	FULL	1/2"
<b>(3) NAILING FIN FASTENERS</b>			
MIN. 2X4 WOOD FRAME OR BUCK (MIN. GR. 3 & G=0.55)	NO. 8 X 1 1/2" SMS	1 3/8"	1/2"
MIN. 2X4 WOOD FRAME OR BUCK (MIN. GR. 3 & G=0.55)	11 GA. ROOFING NAIL	1 5/8"	1/2"
MIN. 1/8" THK A36 STEEL	NO. 8 GR. 5 SELF TAP/DRILL SCREW	FULL	1/2"
MIN. 1/8" THK 6063-T5 ALUM.	NO. 8 GR. 5 SELF TAP/DRILL SCREW	FULL	1/2"

- CONCRETE SCREWS SHALL BE ELCO ULTRACONS (C.S.), ELCO CRETE-FLEX (S.S.), ITW RAMSET/RED HEAD TAPCONS (C.S. OR S.S.) OR HILTI KWIK-CON II (C.S. OR S.S.).
- STANDARD BENT CLIP INSTALLATION SCREWS SHALL BE POSITIONED WITHIN 1/4" OF THE BUCK/SUBSTRATE EDGE AND, IF INTO WOOD, ANGLED 20 TO 30 DEGREES INTO THE BUCK.
- WHEN SCREWS ARE USED WITH THE NAIL FIN, THEY MUST BE A WAFFLE HEAD SCREW OR HAVE A FLAT WASHER AT THE SCREW HEAD.

**ALLOWABLE DESIGN PRESSURE**  
 +/-50 PSF

NAIL FIN AND ANCHORING OF NAIL FIN IS OPTIONAL & SHALL NOT ACT AS A SUBSTITUTE FOR THE FRAME ANCHORS SPECIFIED. FIN MAY BE REMOVED WHEN REQUIRED BY OPENING CONDITIONS



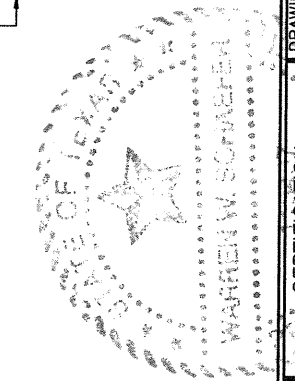
EDGE DISTANCE MAY BE DECREASED TO 1/2" IF SCREWS ARE ANGLED 15 TO 20 DEGREES AWAY FROM THE EDGE.

**INSTALLATION NOTE:**  
 WHEN NECESSARY, INSTALLATION METHODS MAY BE MIXED WITH ANY ONE WINDOW SUCH THAT INDIVIDUAL SIDES OF THE WINDOW MAY USE ONE OR THE OTHER ANCHOR METHOD (EXAMPLE: ONE SIDE MAY USE FRAME SCREW METHOD WHILE THE OTHER SIDE(S) USE CLIPS)

**ALTERNATE ANCHOR/SUBSTRATE EVALUATION NOTE:**  
 ALL ALTERNATE ANCHORS IN THEIR SPECIFIED SUBSTRATES HAVE BEEN ANALYZED IN ACCORDANCE WITH THEIR APPLICABLE STANDARD(S) AND ARE FOUND TO BE EQUIVALENT TO OR STRONGER THAN THE ANCHOR(S) USED IN TESTING WITH THIS PRODUCT.

CONDITIONS SHOWN ON THIS DRAWING ARE GOVERNED BY INSTALLATION REQUIREMENTS ONLY. THE GOVERNING CONDITIONS ON ANY SPECIFIC PRODUCT SHALL BE THE LESSER OF THOSE SPECIFIED IN THE PRODUCTS TDI APPROVAL OR THAT SHOWN IN THESE DRAWINGS.

**EXTERIOR ELEVATION:**  
**SINGLE WINDOW**  
 SCALE: 3/4" = 1'-0"  
 (FRAME SCREW OR CLIP MOUNT)



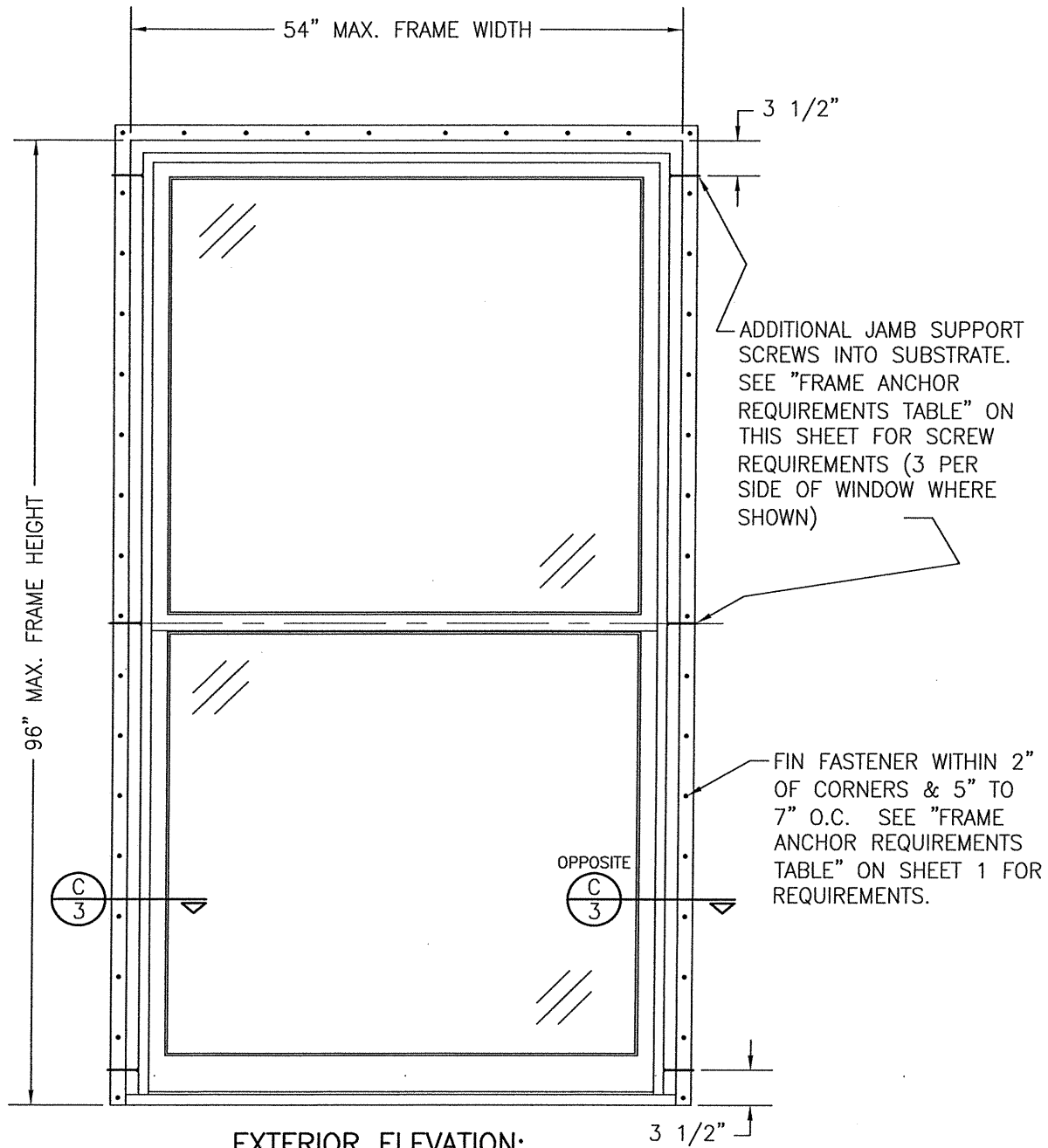
**PELLA CORPORATION**  
 102 MAIN STREET  
 PELLA, IA 50219  
 641-621-1000

**PELLA**

**W. W. SCHAEFER ENGINEERING & CONSULTING, P.A. (REG. NO. F-14980)**  
 7480 150TH COURT NORTH  
 PALM BEACH GARDENS, FL 33418  
 PHONE: 561-744-3424

**CERTIFICATION**  
 JUL 17 2020  
 WARREN W. SCHAEFER, P.E.  
 P.E. NO. 113497

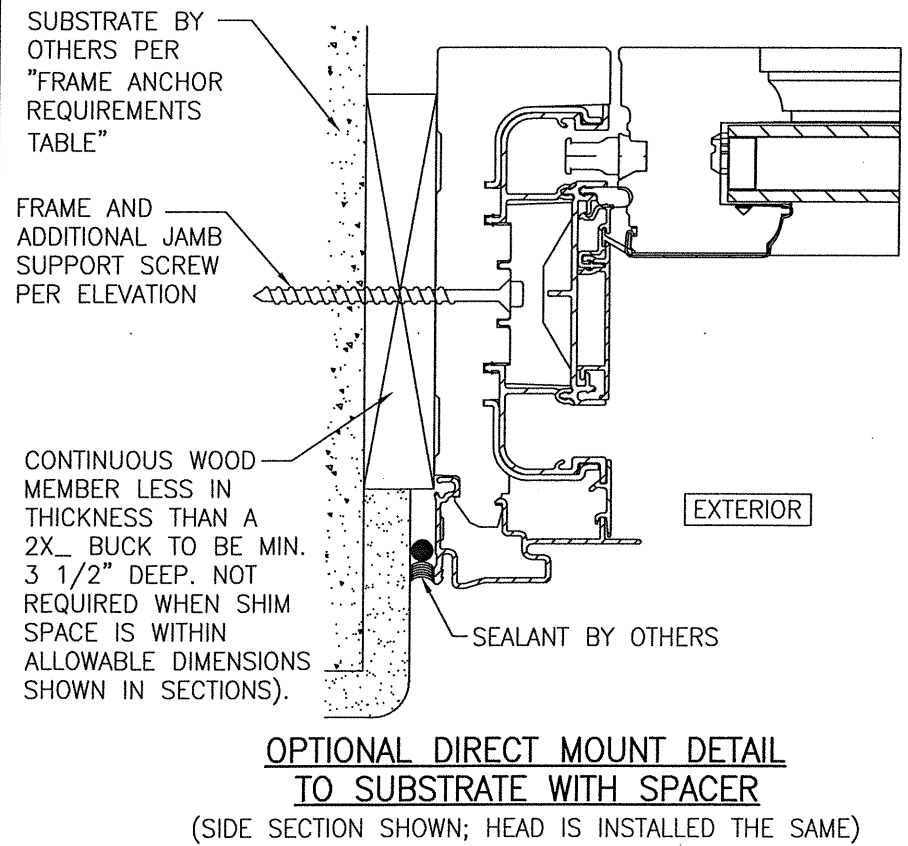
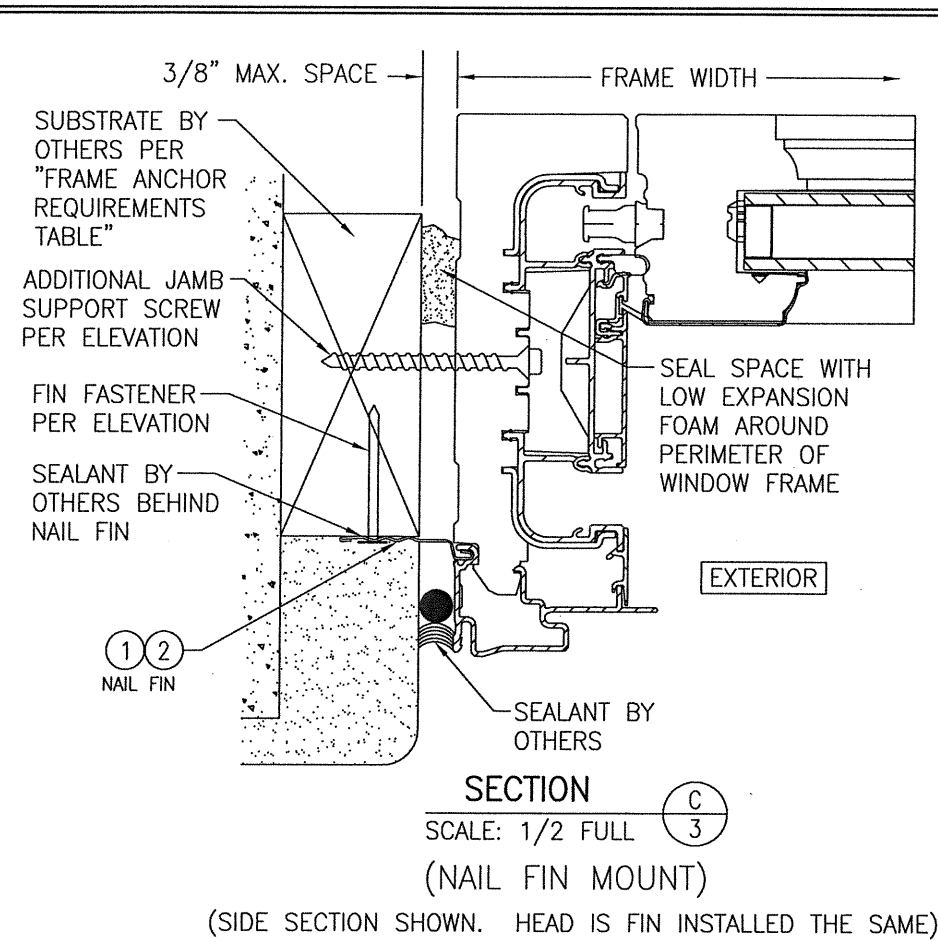
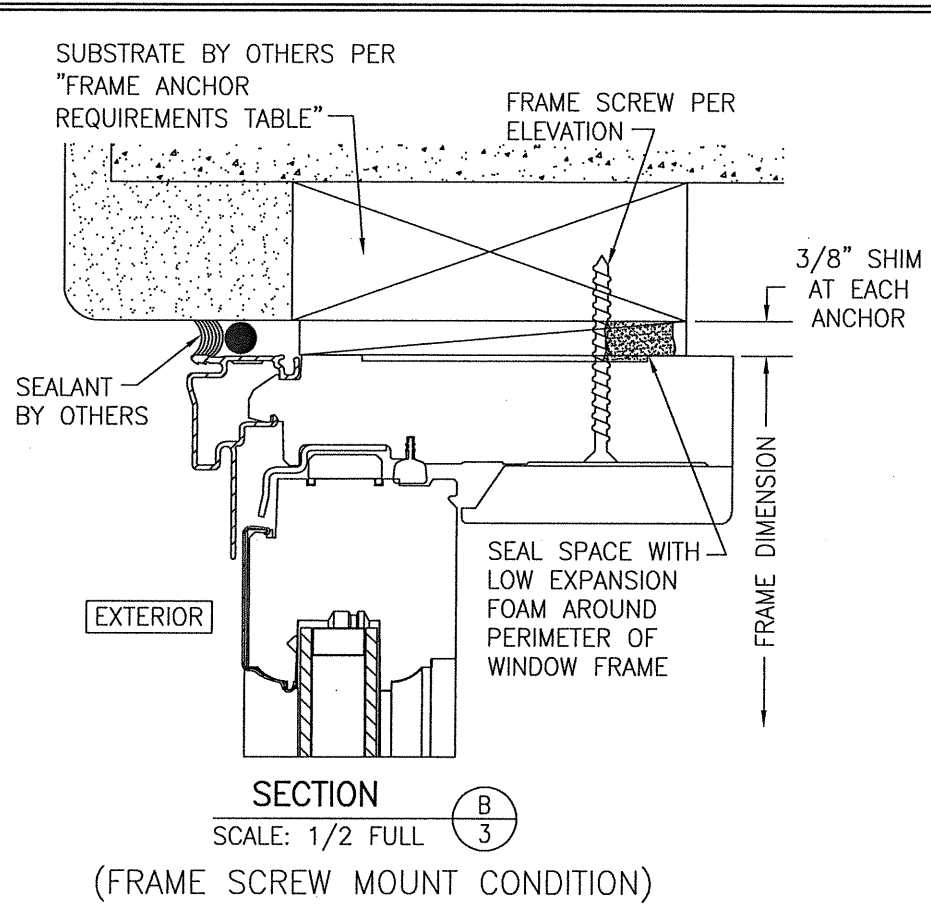
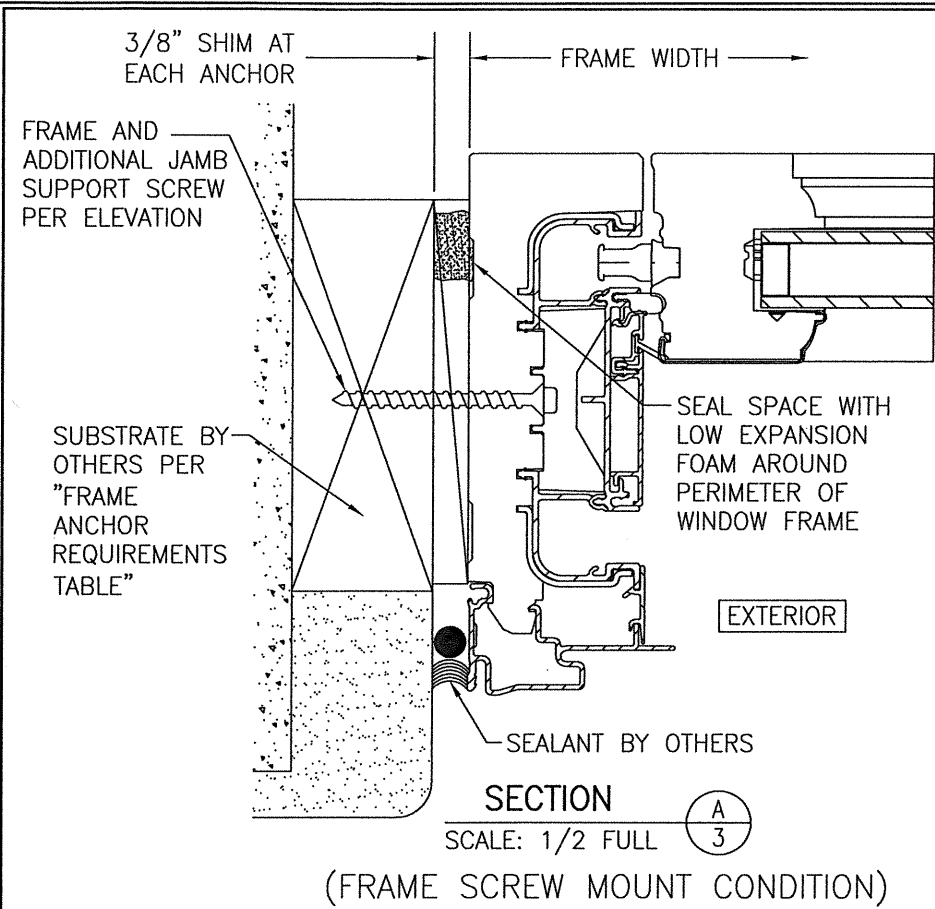
DRAWING NO. 1900T  
 SHEET NO. 1 OF 4



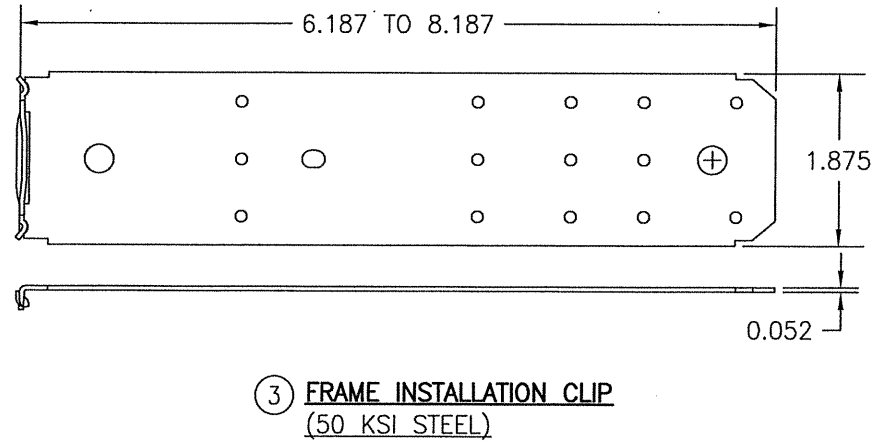
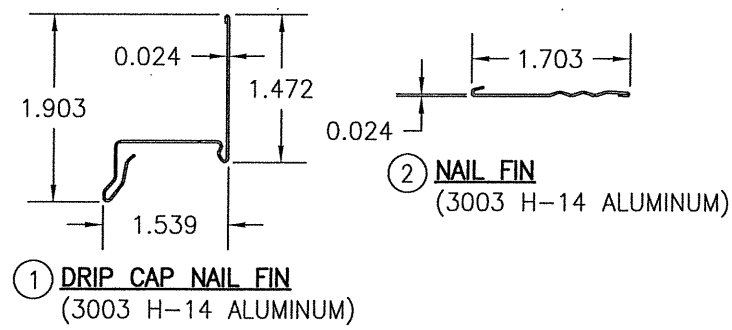
**EXTERIOR ELEVATION:**  
**SINGLE WINDOW**  
 SCALE: 3/4" = 1'-0"  
 (NAIL FIN MOUNT)

**NOTE:** NAIL FIN MOUNT WINDOWS ARE NON-IMPACT RATED ONLY & SHALL NOT BE USED AS IMPACT RATED WINDOWS.

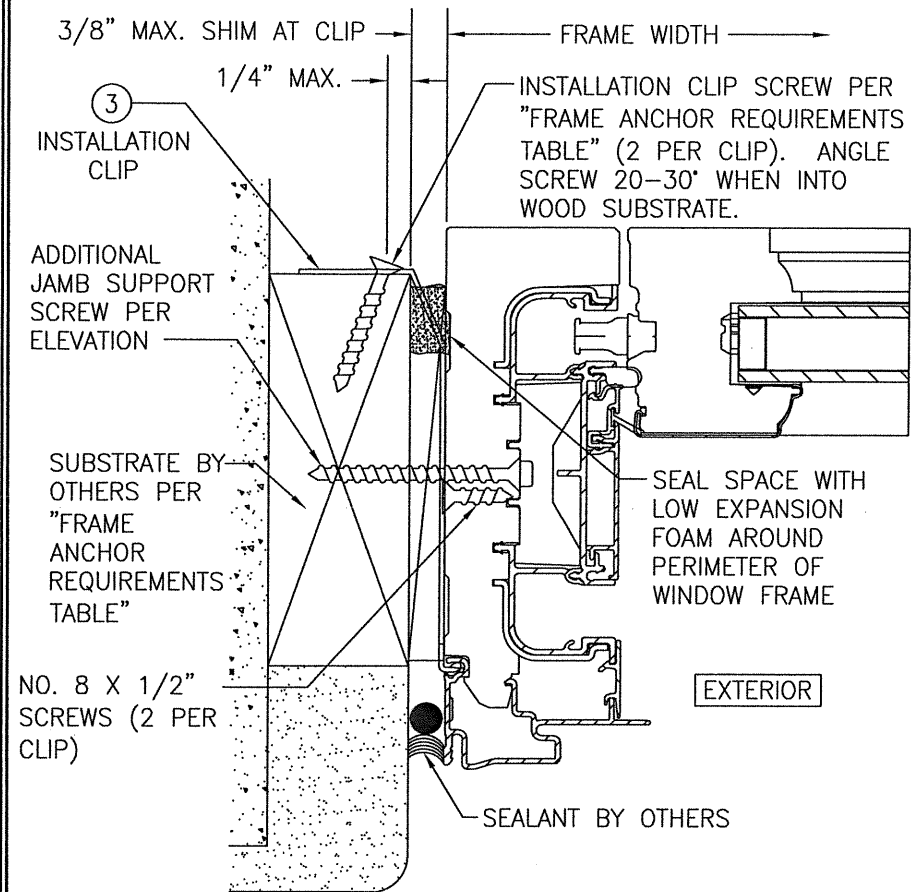
DRAWN BY: W.W.S.		CHECKED BY: W.W.S.	
PLOT: 1=16		DATE: 11/17/17	
NO.	REVISION DESCRIPTION	BY	DATE
DRAWING TITLE: PELLA/ARCHITECT SERIES MODEL 6 CLAD IMPACT & NON-IMPACT DOUBLE HUNG, SINGLE HUNG & SIMULATED HUNG WINDOWS			
CONSULTANTS		JOB INFORMATION:	
W. W. SCHAEFER ENGINEERING & CONSULTING, P.A. (REG. NO. F-14980) 7480 150TH COURT NORTH PALM BEACH GARDENS, FL 33418 PHONE: 561-744-3424		PELLA CORPORATION 102 MAIN STREET PELLA, IA 50219 641-621-1000	
DRAWING NO. 1900T		REV.	
SHEET NO. 2 OF 4			



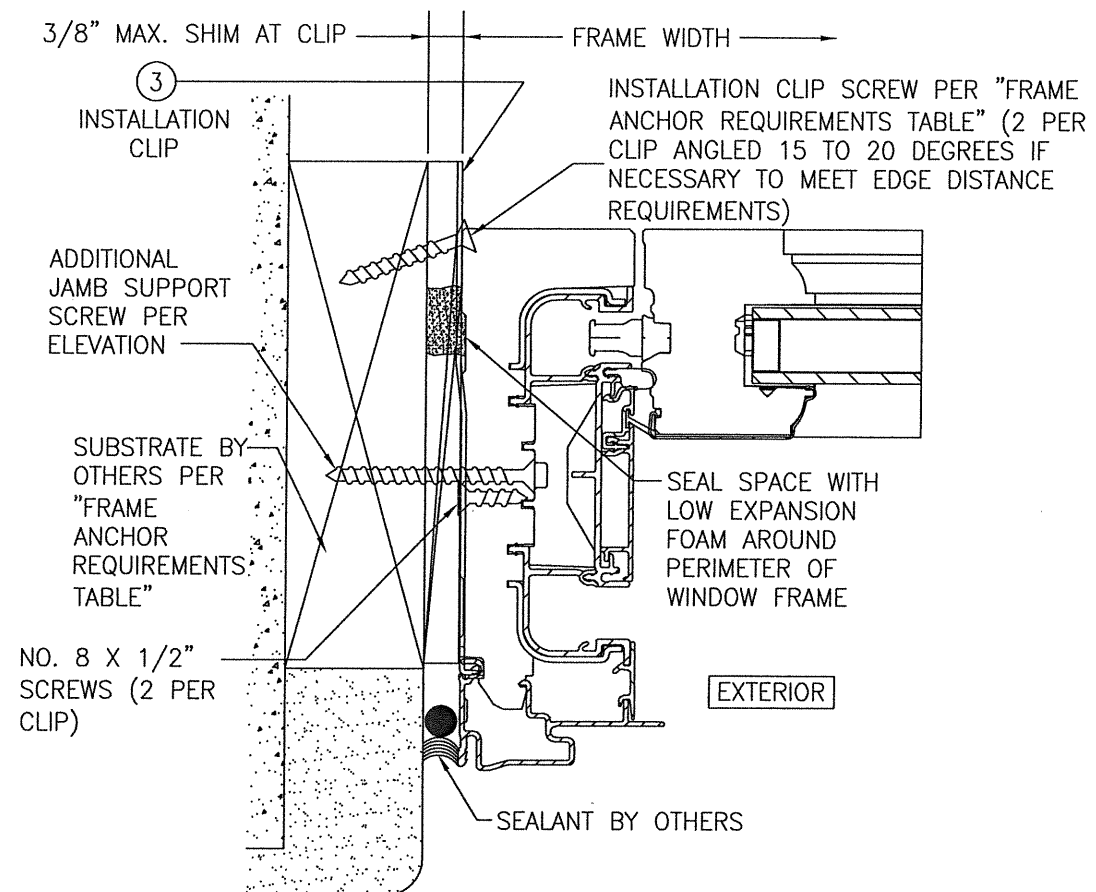
NON-IMPACT GLASS IS SHOWN IN ALL SECTIONS. IMPACT GLASS ALSO APPLIES TO FRAME SCREW AND CLIP MOUNTED WINDOWS.



DRAWN BY: W.W.S.	CHECKED BY: W.W.S.
PLOT: 1=2	DATE: 11/17/17
NO.	REVISION DESCRIPTION
DATE	BY
JOB INFORMATION:	
DRAWING TITLE: PELLA/ARCHITECT SERIES MODEL 6 CLAD IMPACT & NON-IMPACT DOUBLE HUNG, SINGLE HUNG & SIMULATED HUNG WINDOWS	
CONSULTANTS: PELLA CORPORATION 102 MAIN STREET PELLA, IA 50219 641-621-1000	
CONSULTANTS: W. W. SCHAEFER ENGINEERING & CONSULTING, P.A. (REG. NO. F-14980) 7480 150TH COURT NORTH PALM BEACH GARDENS, FL 33418 PHONE: 561-744-3424	
CERTIFICATION:	WARREN W. SCHAEFER, P.E. NO. 113497
DRAWING NO.	REV.
1900T	
SHEET NO.	
3	OF 4



**STANDARD INSTALLATION CLIP DETAIL**  
 (SIDE SECTION SHOWN. HEAD IS CLIP INSTALLED THE SAME)



**ALTERNATE INSTALLATION CLIP DETAIL**  
 (SIDE SECTION SHOWN. HEAD IS CLIP INSTALLED THE SAME)

DRAWN BY: W.W.S.		CHECKED BY: W.W.S.	
PLOT: 1-2		DATE: 11/17/17	
NO.	REVISION DESCRIPTION	BY	DATE
DRAWING TITLE: PELLA/ARCHITECT SERIES MODEL 6 CLAD IMPACT & NON-IMPACT DOUBLE HUNG, SINGLE HUNG & SIMULATED HUNG WINDOWS CONSULTANTS: W. W. SCHAEFER ENGINEERING & CONSULTING, P.A. (REG. NO. F-14980) 7480 150TH COURT NORTH PALM BEACH GARDENS, FL 33418 PHONE: 561-744-3424			
JOB INFORMATION: PELLA CORPORATION 102 MAIN STREET PELLA, IA 50219 641-621-1000			
CERTIFICATION JUL 17 2020 WARREN W. SCHAEFER, P.E. P.E. NO. 113497			
DRAWING NO. 1900T		REV.	
SHEET NO. 4 OF 4			

