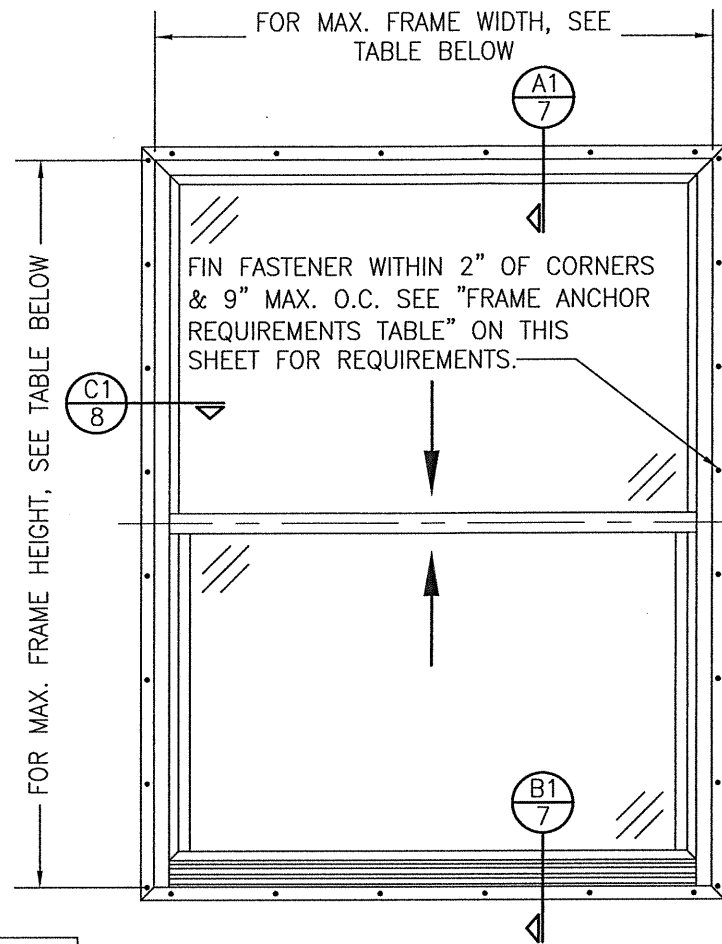


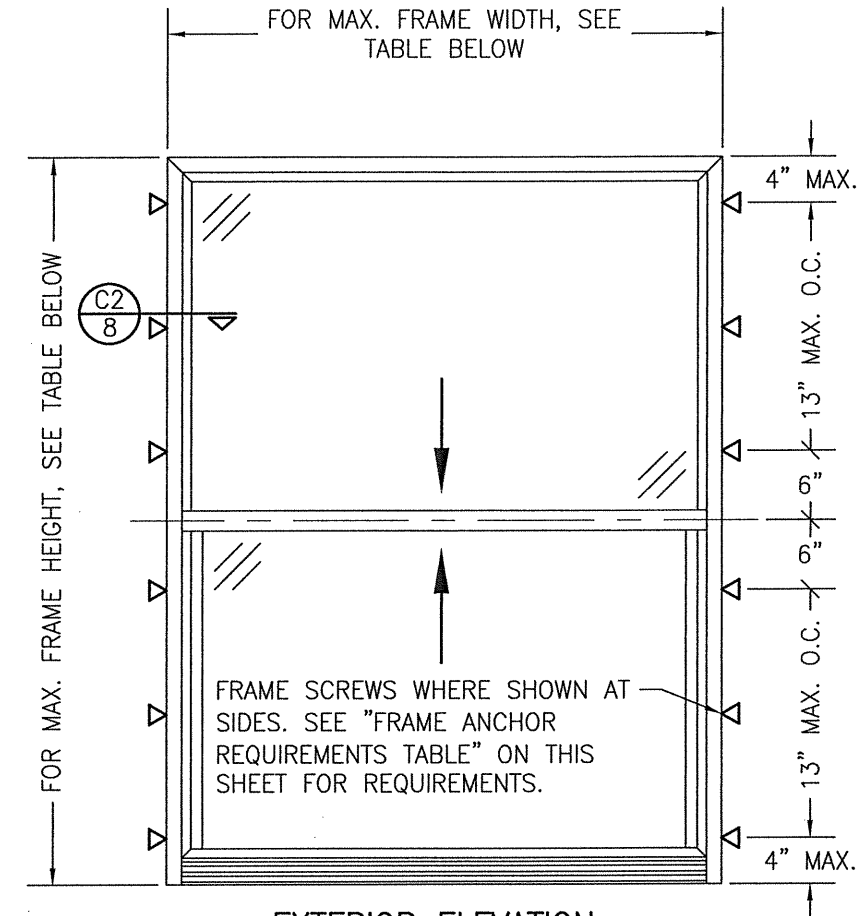
**GENERAL NOTES:**

- ALL FASTENERS SHALL BE IN ACCORDANCE WITH THESE DRAWINGS. SPECIFIED ANCHOR EMBED TO BASE MATERIAL SHALL BE BEYOND WALL FINISH OR STUCCO.
- OPENINGS, BUCKING & BUCKING FASTENERS MUST BE PROPERLY DESIGNED & INSTALLED TO TRANSFER WIND LOADS TO THE STRUCTURE.
- THESE NON-IMPACT RATED PRODUCT INSTALLATIONS ARE IN ACCORDANCE WITH AND MEET THE REQUIREMENTS OF THE 2018 INTERNATIONAL BUILDING CODE (IBC).
- ALL ANCHORS SECURING PRODUCT FRAME TO PRESSURE TREATED BUCKS OR WOOD FRAMING SHALL BE CAPABLE OF RESISTING CORROSION CAUSED BY THE PRESSURE TREATING CHEMICALS IN THE WOOD.
- TO THE BEST OF OUR KNOWLEDGE, THE PRODUCT SHOWN HEREIN IS CERTIFIED & QUALITY ASSURED BY A NATIONALLY ACCREDITED CERTIFICATION/QA ENTITY & SHALL BE LABELED IN ACCORDANCE WITH CERTIFICATION/QA ENTITIES SPECIFICATIONS. PRODUCT ASSEMBLY IS NOT PART OF THIS DRAWING AND SHALL BE IN ACCORDANCE WITH THE MANUFACTURER'S QUALITY ASSURANCE SPECIFICATIONS & TESTING REPORTS.
- CERTIFICATION OF THESE PRODUCT INSTALLATIONS SHALL BE CONSIDERED VOID IF ANY OF THE FOLLOWING APPLY: 1) THEY ARE INSTALLED WITHOUT A BUILDING PERMIT FROM THE APPLICABLE LOCAL BUILDING DEPARTMENT. 2) IF THEY ARE INSTALLED BY ANYONE OTHER THAN A LICENSED CONTRACTOR EXPERIENCED WITH WINDOW/DOOR INSTALLATIONS. 3) IF CHANGES HAVE OCCURRED TO THE PRODUCT'S CERTIFICATION ENTITY'S CERTIFICATE THAT CAUSE THESE INSTALLATIONS TO BE INCORRECT OR INCONSISTENT WITH WHAT HAS BEEN TESTED.
- THE LEAST DESIGN PRESSURE SPECIFIED EITHER IN THIS DRAWING OR IN THE PRODUCTS CERTIFICATION SHALL CONTROL FOR THE INSTALLED PRODUCT.
- THESE DRAWINGS CERTIFY THE PRODUCT INSTALLATION ONLY. WATER PROOFING OF THE INSTALLED PRODUCT IS NOT PART OF THIS INSTALLATION CERTIFICATION. THAT RESPONSIBILITY SHALL BE THAT OF THE MANUFACTURER &/OR INSTALLER.

INSTALLATION EVALUATION IS BASED ON APPLICABLE ANCHOR STANDARDS AND/OR INFORMATION & RESULTS FROM APPLICABLE TEST REPORTS. THE BUILDING CODE VERSION CONSIDERED WITH THE EVALUATION WAS THAT IN FORCE AT THE TIME OF THE EVALUATION. IN THE EVENT OF CODE VERSION CHANGES/UPDATES OR IN THE EVENT THAT NEW OR ADDITIONAL TESTING IS COMPLETED ON THE REFERENCED PRODUCT, PRIOR TO STATING CODE COMPLIANCE, THE MANUFACTURER SHALL CONFIRM WITH THE INSTALLATION EVALUATION ENGINEER OF RECORD THAT THE INSTALLATIONS SPECIFIED HERE-IN ARE CURRENT WITH THE THEN CURRENT TESTING, CODE AND APPLICABLE STANDARDS.



**EXTERIOR ELEVATION:  
SINGLE WINDOW**  
SCALE: 3/4" = 1'-0"  
(NAIL FIN MOUNT CONDITION)



**EXTERIOR ELEVATION:  
SINGLE WINDOW**  
SCALE: 3/4" = 1'-0"  
(FRAME SCREW MOUNT CONDITION)

**FRAME ANCHOR REQUIREMENTS TABLE**

OPENING TYPE (SUBSTRATE)	FRAME/CLIP/NAIL FIN TO OPENING FASTENER TYPE	MINIMUM EMBED	MINIMUM EDGE DIST.
(1) FRAME SCREWS			
MIN. 2X4 WOOD FRAME OR BUCK (MIN. GR. 3 & G=0.55)	NO. 10 SMS OR WOOD SCREW	1 1/4"	3/4"
MIN. 18 GA. 33 KSI METAL STUD	NO. 10 GR. 5 SELF TAP/DRILL SCREW	FULL	1/2"
MIN. 1/8" THK A36 STEEL	NO. 10 GR. 5 SELF TAP/DRILL SCREW	FULL	1/2"
MIN. 1/8" THK 6063-T5 ALUM.	NO. 10 GR. 5 SELF TAP/DRILL SCREW	FULL	1/2"
MIN. C-90 CMU OR 2500 PSI CONCRETE	(2) 1/4" CONCRETE SCREW	1 1/4"	2"
(1) INSTALLATION CLIP SCREWS			
MIN. 2X4 WOOD FRAME OR BUCK (MIN. GR. 3 & G=0.55)	NO. 10 SMS SCREW	1 1/4"	1/2"
MIN. 18 GA. 33 KSI METAL STUD	NO. 10 GR. 5 SELF TAP/DRILL SCREW	FULL	1/2"
MIN. 1/8" THK A36 STEEL	NO. 10 GR. 5 SELF TAP/DRILL SCREW	FULL	1/2"
MIN. 1/8" THK 6063-T5 ALUM.	NO. 10 GR. 5 SELF TAP/DRILL SCREW	FULL	1/2"
2500 PSI CONCRETE	(2) 3/16" CONCRETE SCREW	1 1/4"	2"
(3) NAILING FIN FASTENERS			
MIN. 2X4 WOOD FRAME OR BUCK (MIN. GR. 3 & G=0.55)	NO. 10 SMS SCREW	1 3/8"	1/2"
MIN. 2X4 WOOD FRAME OR BUCK (MIN. GR. 3 & G=0.55)	11 GA. ROOFING NAIL	1 3/8"	1/2"
MIN. 1/8" THK A36 STEEL	NO. 8 GR. 5 SELF TAP/DRILL SCREW	FULL	1/2"
MIN. 1/8" THK 6063-T5 ALUM.	NO. 8 GR. 5 SELF TAP/DRILL SCREW	FULL	1/2"

- FRAME AND INSTALLATION CLIP SCREWS SHALL BE A PAN OR HEX HEAD SCREW.
- CONCRETE SCREWS SHALL BE ELCO ULTRACONS (C.S.), ELCO CRETE-FLEX (S.S.), ITW RAMSET/RED HEAD TAPCONS (C.S. OR S.S.) OR HILTI KWIK-CON II (C.S OR S.S.).
- WHEN SCREWS ARE USED WITH THE NAIL FIN, THEY MUST BE A PAN HEAD OR WAFFLE HEAD SCREW OR HAVE A FLAT WASHER AT THE SCREW HEAD.

**INSTALLATION NOTE:**  
WHEN NECESSARY, INSTALLATION METHODS MAY BE MIXED WITH ANY ONE WINDOW SUCH THAT INDIVIDUAL SIDES OF THE WINDOW MAY USE ONE OR THE OTHER ANCHOR METHOD (EXAMPLE: SILL MAY USE FRAME SCREWS METHOD WHILE OTHER SIDES USE FIN)

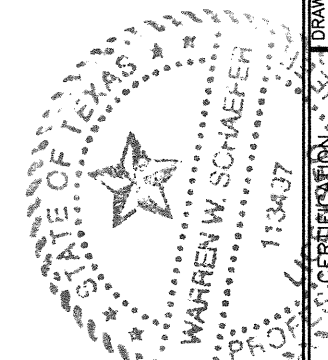
**ANCHOR/SUBSTRATE EVALUATION NOTE:**  
ALL ANCHORS IN THEIR SPECIFIED SUBSTRATES HAVE BEEN ANALYZED IN ACCORDANCE WITH THEIR APPLICABLE STANDARD(S) AND ARE FOUND TO BE CAPABLE OF SUPPORTING ALL LOADS IMPOSED ON THEM UNDER THE GUIDELINES OF THIS DOCUMENT. ANY SUBSTRATES OR CONDITIONS OUTSIDE OF WHAT IS SHOWN HERE-IN SHALL BE SUBJECT TO JOB SPECIFIC ENGINEER'S REVIEW & CERTIFICATION.

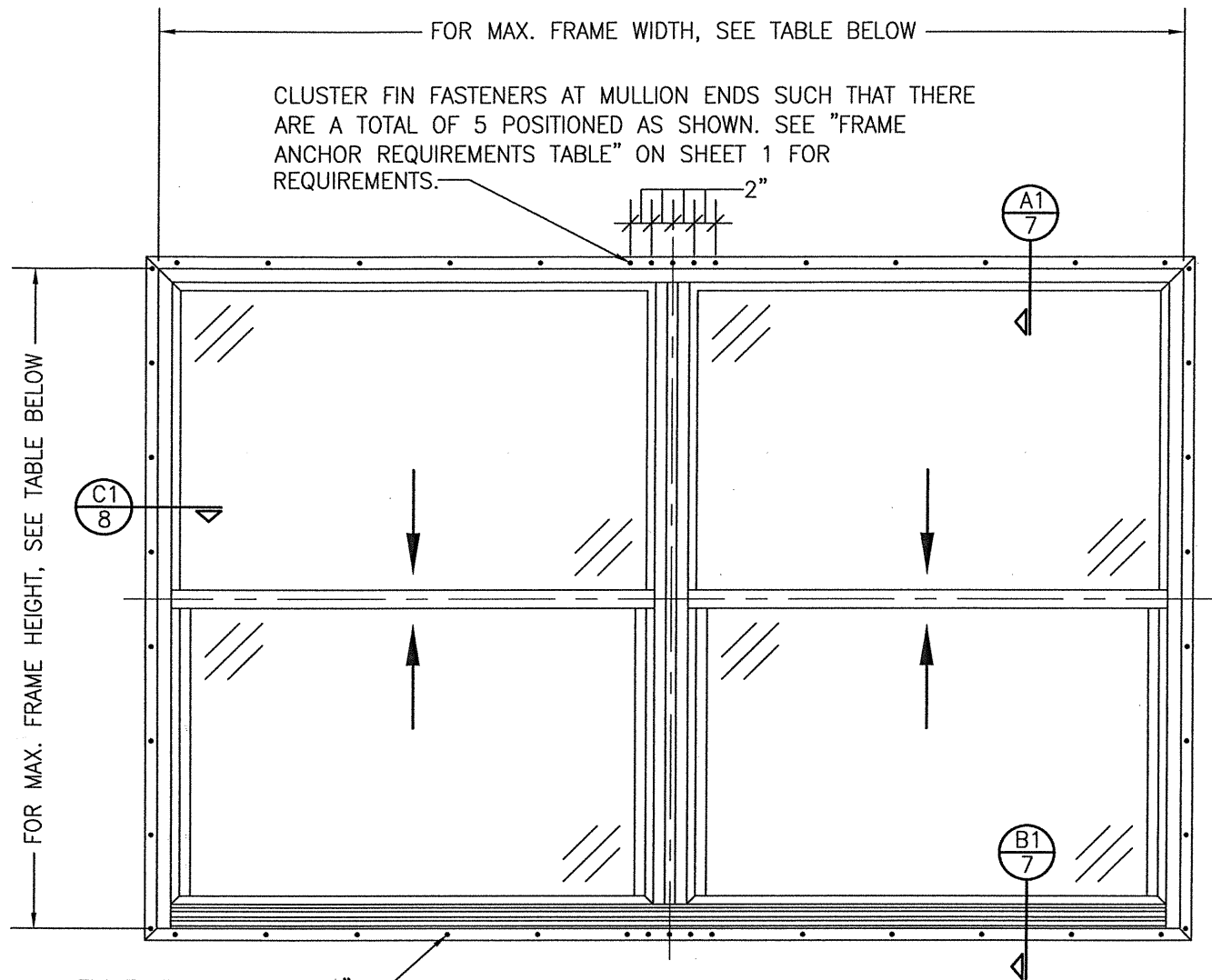
ALLOWABLE DESIGN PRESSURE (SINGLE WINDOWS)		
MAX. FRAME WIDTH (IN.)	MAX. FRAME HEIGHT (IN.)	ALLOWABLE PRESSURE (+/- PSF)
48	63	30
36	72	30
36	63	35

CONDITIONS SHOWN IN THESE DRAWINGS ARE GOVERNED BY INSTALLATION REQUIREMENTS ONLY. THE GOVERNING CONDITIONS ON ANY SPECIFIC PRODUCT SHALL BE THE LESSER OF THOSE SPECIFIED IN THE PRODUCTS TD1 APPROVAL OR THAT SHOWN IN THESE DRAWINGS.

THESE DRAWINGS ARE APPLICABLE ONLY TO THE PRODUCT SPECIFIED. THEY MAY NOT BE USED FOR THE ASSEMBLY AND/OR INSTALLATION OF ANY OTHER PRODUCT NOR MAY THEY BE USED FOR RATIONAL AND/OR LOCAL APPROVAL OF ANY PRODUCT NOT PRODUCED BY THE MANUFACTURER STATED ON THESE DRAWINGS.

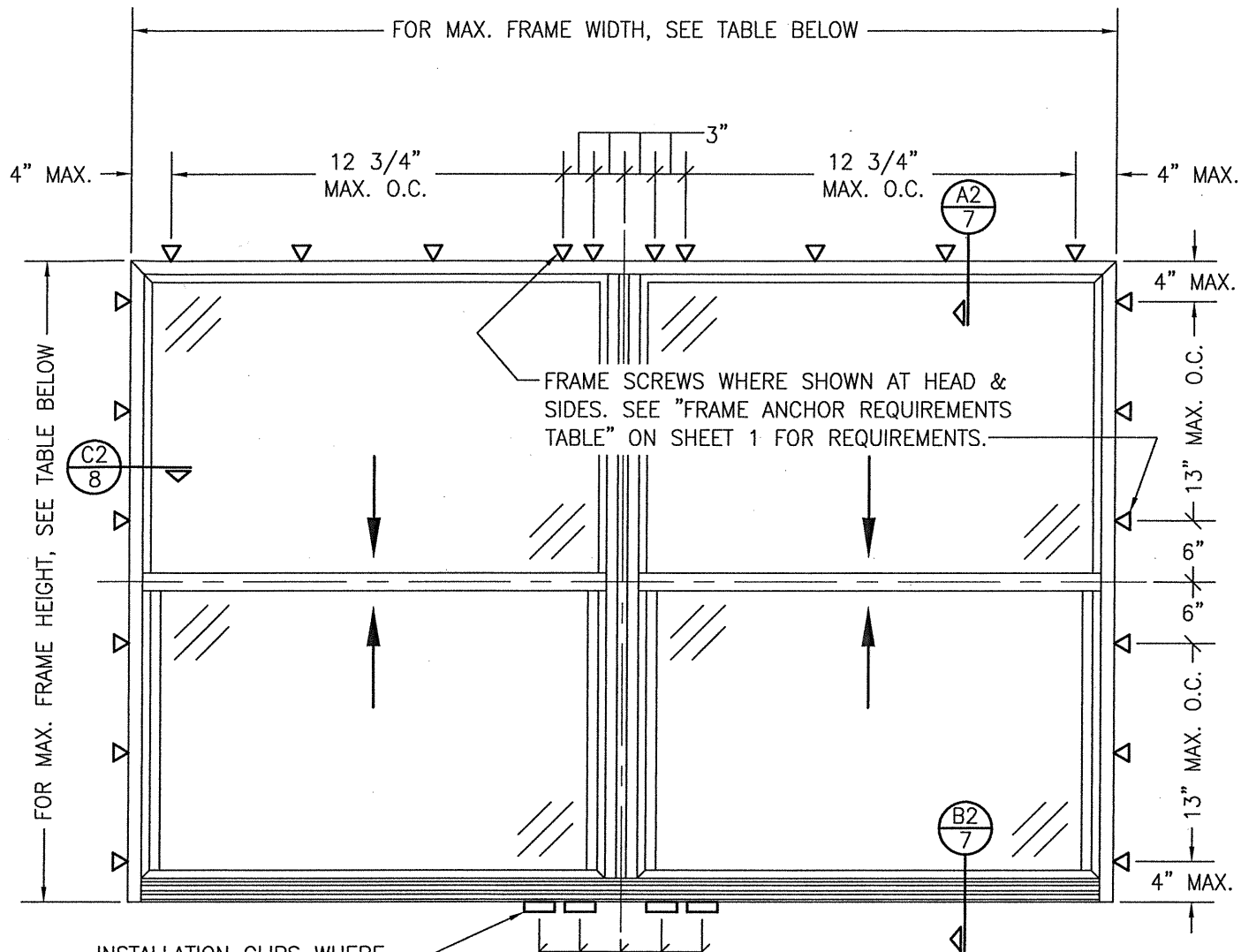
DRAWN BY: W.W.S.	CHECKED BY: W.W.S.	PLOT: 1=16	DATE: 04/20/20
DATE	BY	REVISION DESCRIPTION	NO.
JOB INFORMATION: <b>PELLA CORPORATION</b> 102 MAIN STREET PELLA, IA 50219 641-621-1000			
DRAWING TITLE: <b>250 SERIES VINYL DOUBLE HUNG NON-IMPACT STANDARD PERFORMANCE WINDOW</b>			
CONSULTANTS: <b>W. W. SCHAEFER ENGINEERING &amp; CONSULTING, P.A. (REG. NO. F-14980)</b> 7480 150TH COURT NORTH PALM BEACH GARDENS, FL 33418 PHONE: 561-744-3424			
DRAWING NO. <b>1868AT</b> REV. _____ SHEET NO. <b>1</b> OF <b>8</b>			





FIN FASTENER WITHIN 2" OF CORNERS & 9" MAX. O.C. SEE "FRAME ANCHOR REQUIREMENTS TABLE" ON SHEET 1 FOR REQUIREMENTS.

**EXTERIOR ELEVATION:  
DOUBLE WINDOW**  
SCALE: 3/4" = 1'-0"  
(NAIL FIN MOUNT CONDITION)

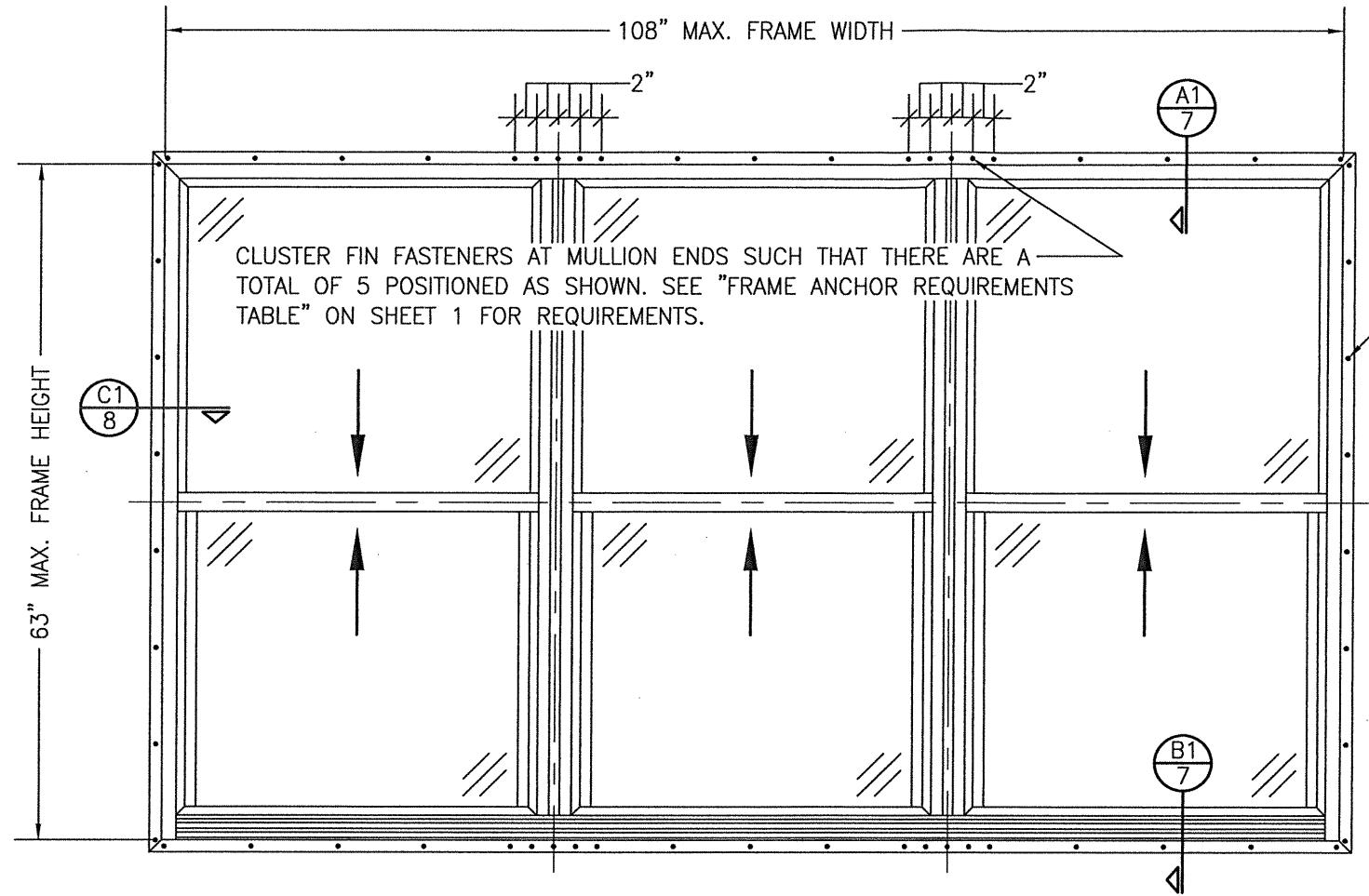


INSTALLATION CLIPS WHERE SHOWN AT SILL. SEE "FRAME ANCHOR REQUIREMENTS TABLE" ON SHEET 1 FOR REQUIREMENTS.

**EXTERIOR ELEVATION:  
DOUBLE WINDOW**  
SCALE: 3/4" = 1'-0"  
(FRAME SCREW AND CLIP MOUNT CONDITION)

ALLOWABLE DESIGN PRESSURE (DOUBLE WINDOWS)		
MAX. FRAME WIDTH (IN.)	MAX. FRAME HEIGHT (IN.)	ALLOWABLE PRESSURE (+/- PSF)
96	63	30
72 1/2	72	30
72 1/2	63	35

DRAWN BY: W.W.S.	CHECKED BY: W.W.S.
PLOT: 1=16	DATE: 04/20/20
DATE	BY
REVISION DESCRIPTION	NO.
DRAWING TITLE <b>250 SERIES VINYL DOUBLE HUNG NON-IMPACT STANDARD PERFORMANCE WINDOW</b>	
JOB INFORMATION: <b>PELLA CORPORATION</b> 102 MAIN STREET PELLA, IA 50219 641-621-1000	
CONSULTANTS <b>W. W. SCHAEFER ENGINEERING &amp; CONSULTING, P.A. (REG. NO. F-14980)</b> 7480 150TH COURT NORTH PALM BEACH GARDENS, FL 33418 PHONE: 561-744-3424	
STATE OF TEXAS WARREN W. SCHAEFER P.E. NO. 113497 JUL 17 2020	
DRAWING NO. <b>1868AT</b>	REV.
SHEET NO. <b>2</b>	OF <b>8</b>

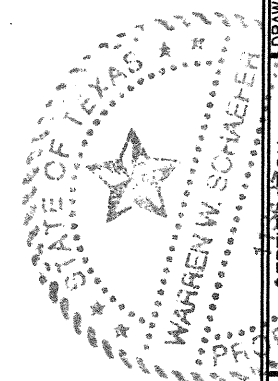



CLUSTER FIN FASTENERS AT MULLION ENDS SUCH THAT THERE ARE A TOTAL OF 5 POSITIONED AS SHOWN. SEE "FRAME ANCHOR REQUIREMENTS TABLE" ON SHEET 1 FOR REQUIREMENTS.

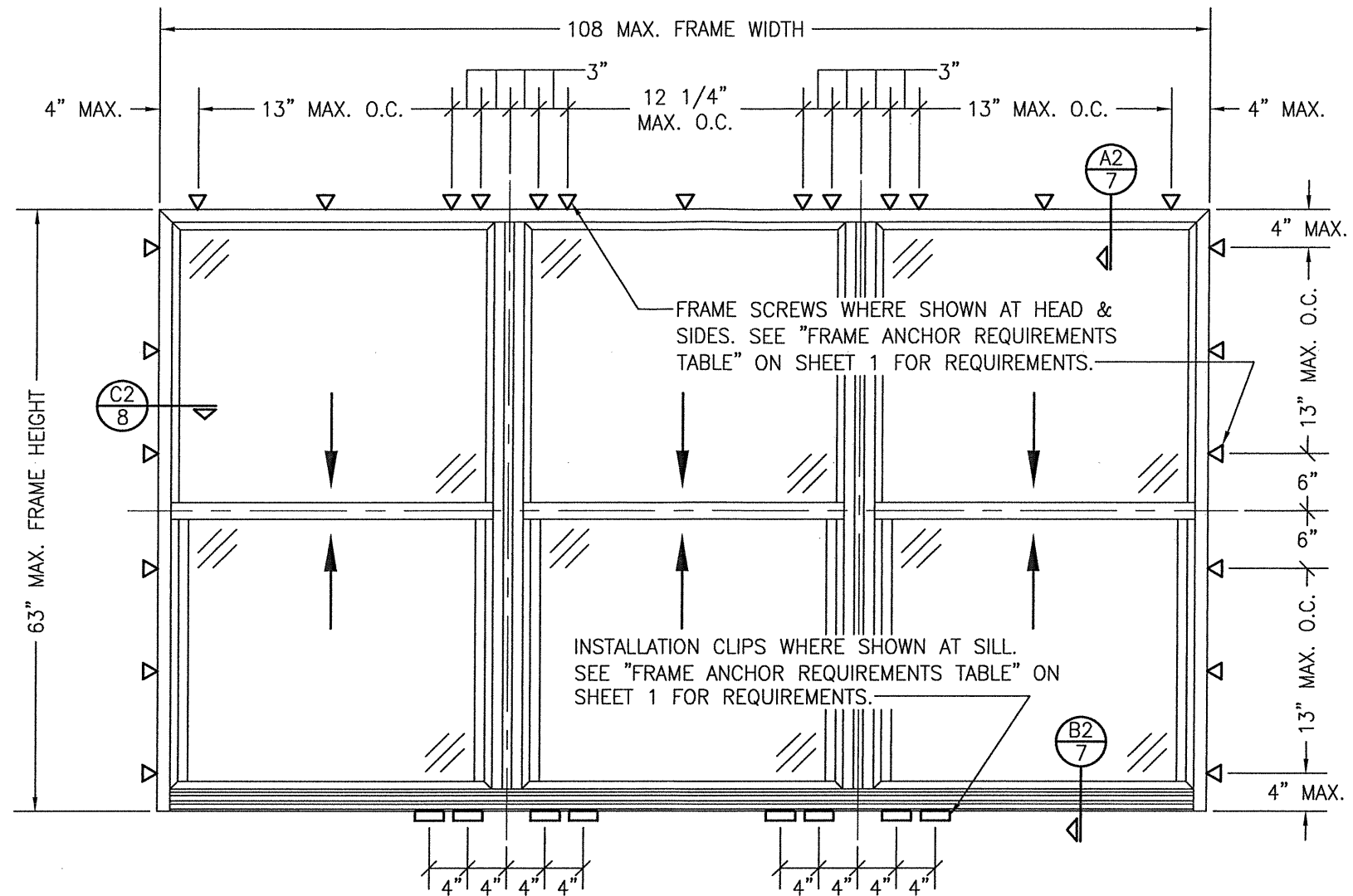
FIN FASTENER WITHIN 2" OF CORNERS & 9" MAX. O.C. SEE "FRAME ANCHOR REQUIREMENTS TABLE" ON SHEET 1 FOR REQUIREMENTS.

**EXTERIOR ELEVATION:**  
**TRIPLE WINDOW**  
 SCALE: 3/4" = 1'-0"  
 (NAIL FIN MOUNT CONDITION)

ALLOWABLE DESIGN PRESSURE (108" X 63" TRIPLE WINDOW UNITS) +/-35 PSF
--



DRAWN BY: W.W.S.		CHECKED BY: W.W.S.	
PLOT: 1=16		DATE: 04/20/20	
NO.	REVISION DESCRIPTION	BY	DATE
DRAWING TITLE 250 SERIES VINYL DOUBLE HUNG NON-IMPACT STANDARD PERFORMANCE WINDOW			
JOB INFORMATION: PELLA CORPORATION 102 MAIN STREET PELLA, IA 50219 641-621-1000 			
CONSULTANTS W. W. SCHAEFFER ENGINEERING & CONSULTING, P.A. (REG. NO. F-14980) 7480 150TH COURT NORTH PALM BEACH GARDENS, FL 33418 PHONE: 561-744-3424			
CERTIFICATION WARREN W. SCHAEFFER P.E. NO. 113487 JUL 17 2020		WARREN W. SCHAEFFER, P.E. P.E. NO. 113487	
DRAWING NO. 1868AT		REV.	
SHEET NO. 3 OF 8			



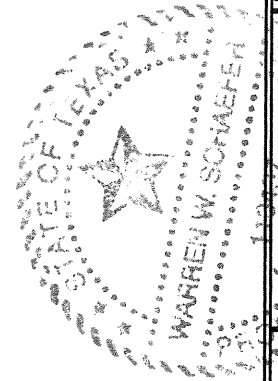
**EXTERIOR ELEVATION:  
TRIPLE WINDOW**

SCALE: 3/4" = 1'-0"

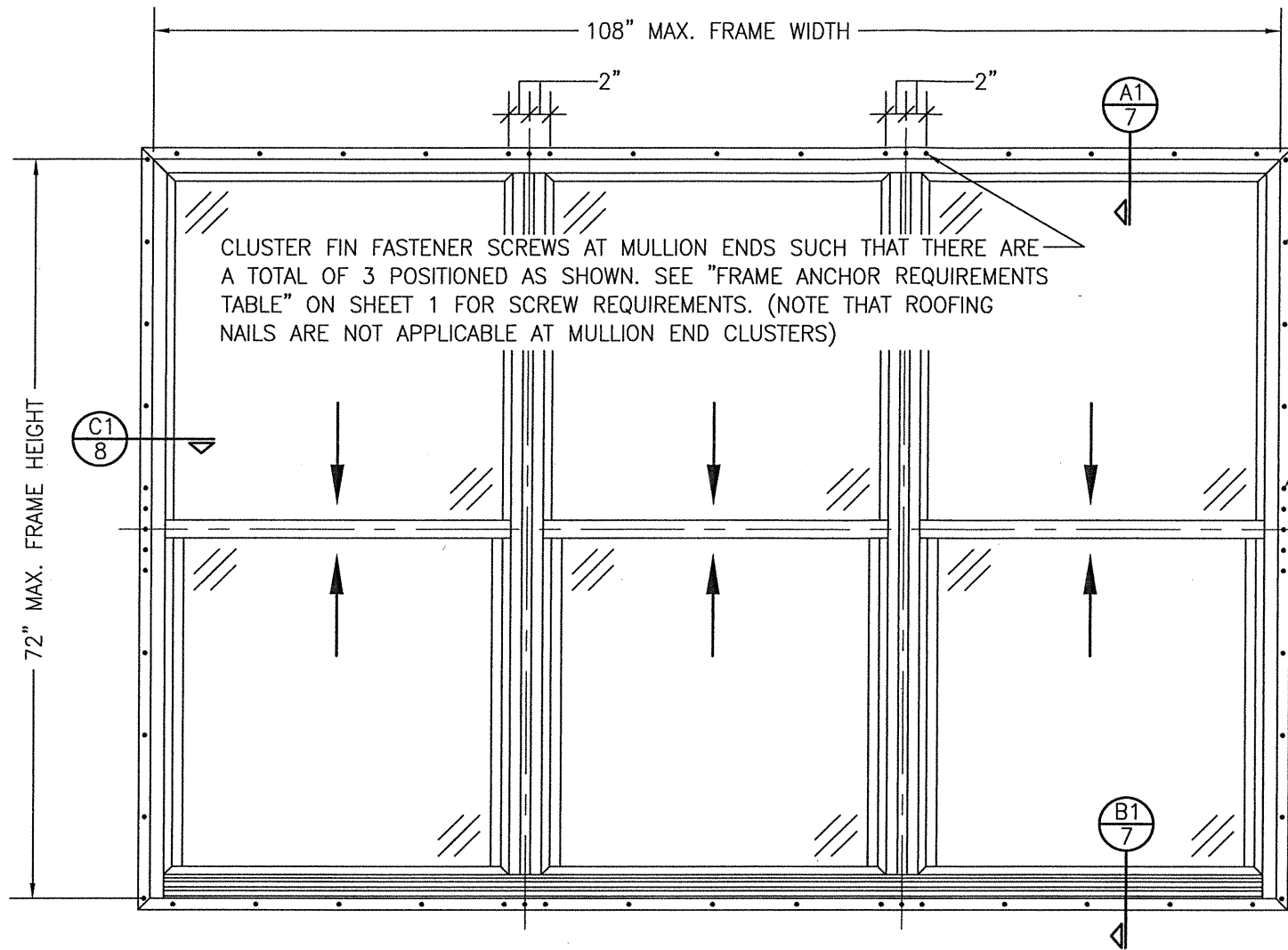
(FRAME SCREW AND CLIP MOUNT CONDITION)

**ALLOWABLE DESIGN PRESSURE  
(108" X 63" TRIPLE WINDOW UNITS)**

+/-35 PSF



DRAWN BY: W.W.S.		CHECKED BY: W.W.S.	
PLOT: 1=16		DATE: 04/20/20	
NO.	REVISION DESCRIPTION	BY	DATE
DRAWING TITLE: 250 SERIES VINYL DOUBLE HUNG NON-IMPACT STANDARD PERFORMANCE WINDOW CONSULTANTS: W. W. SCHAEFER ENGINEERING & CONSULTING, P.A. (REG. NO. F-14980) 7480 150TH COURT NORTH PALM BEACH GARDENS, FL 33418 PHONE: 561-744-3424			
JOB INFORMATION: PELLA CORPORATION 102 MAIN STREET PELLA, IA 50219 641-621-1000			
DRAWING NO. <b>1868AT</b>		REV. REV.	
SHEET NO. <b>4 OF 8</b>			



CLUSTER FIN FASTENER SCREWS AT MULLION ENDS SUCH THAT THERE ARE A TOTAL OF 3 POSITIONED AS SHOWN. SEE "FRAME ANCHOR REQUIREMENTS TABLE" ON SHEET 1 FOR SCREW REQUIREMENTS. (NOTE THAT ROOFING NAILS ARE NOT APPLICABLE AT MULLION END CLUSTERS)

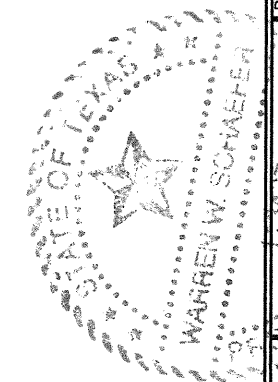
FIN FASTENER WITHIN 2" OF CORNERS & 9" MAX. O.C. SEE "FRAME ANCHOR REQUIREMENTS TABLE" ON SHEET 1 FOR REQUIREMENTS.

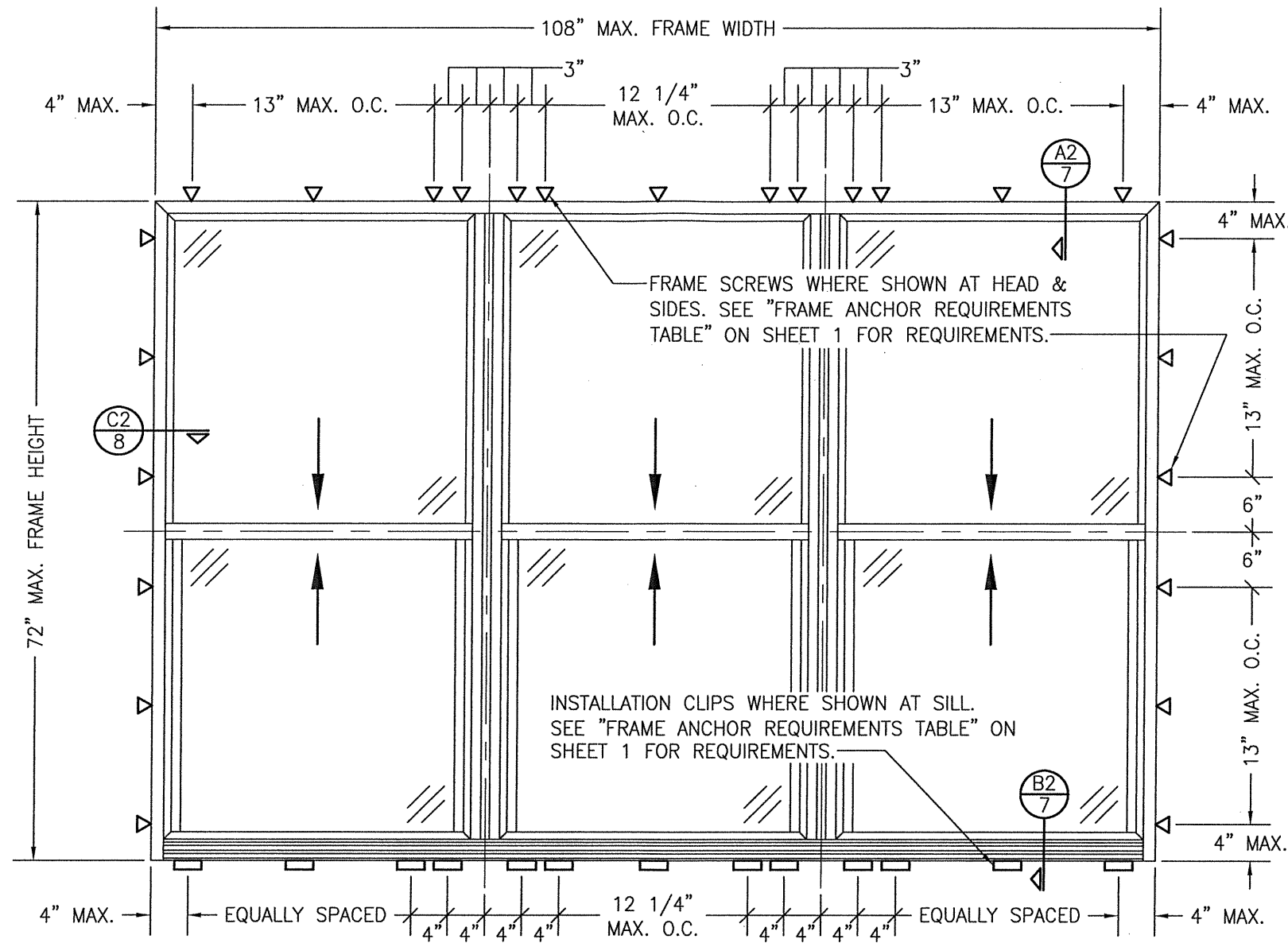
CLUSTER FIN FASTENERS AT MEETING RAIL ENDS SUCH THAT THERE ARE A TOTAL OF 5 POSITIONED AS SHOWN. SEE "FRAME ANCHOR REQUIREMENTS TABLE" ON SHEET 1 FOR REQUIREMENTS.

**EXTERIOR ELEVATION:  
TRIPLE WINDOW**  
SCALE: 3/4" = 1'-0"  
(NAIL FIN MOUNT CONDITION)

ALLOWABLE DESIGN PRESSURE  
(108" X 72" TRIPLE WINDOW UNITS WITH NAIL FIN MOUNT INSTALLATION ONLY)  
+/-30 PSF

DRAWN BY: W.W.S.		CHECKED BY: W.W.S.	
PLOT: 1=16		DATE: 04/20/20	
NO.	REVISION DESCRIPTION	BY	DATE
DRAWING TITLE: 250 SERIES VINYL DOUBLE HUNG NON-IMPACT STANDARD PERFORMANCE WINDOW			
CONSULTANTS: W. W. SCHAEFER ENGINEERING & CONSULTING, P.A. (REG. NO. F-14980) 7480 150TH COURT NORTH PALM BEACH GARDENS, FL 33418 PHONE: 561-744-3424			
JOB INFORMATION: PELLA CORPORATION 102 MAIN STREET PELLA, IA 50219 641-621-1000			
CERTIFICATION LICENSED PROFESSIONAL ENGINEER JUL 17 2020		WARREN W. SCHAEFER, P.E. P.E. NO. 113497	
DRAWING NO. 1868AT		REV.	
SHEET NO. 5 OF 8			





**EXTERIOR ELEVATION:  
TRIPLE WINDOW**

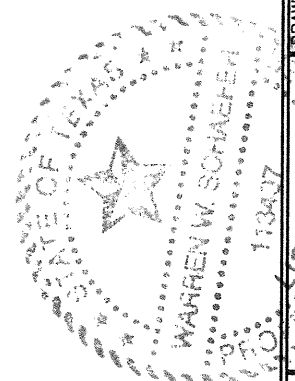
SCALE: 3/4" = 1'-0"

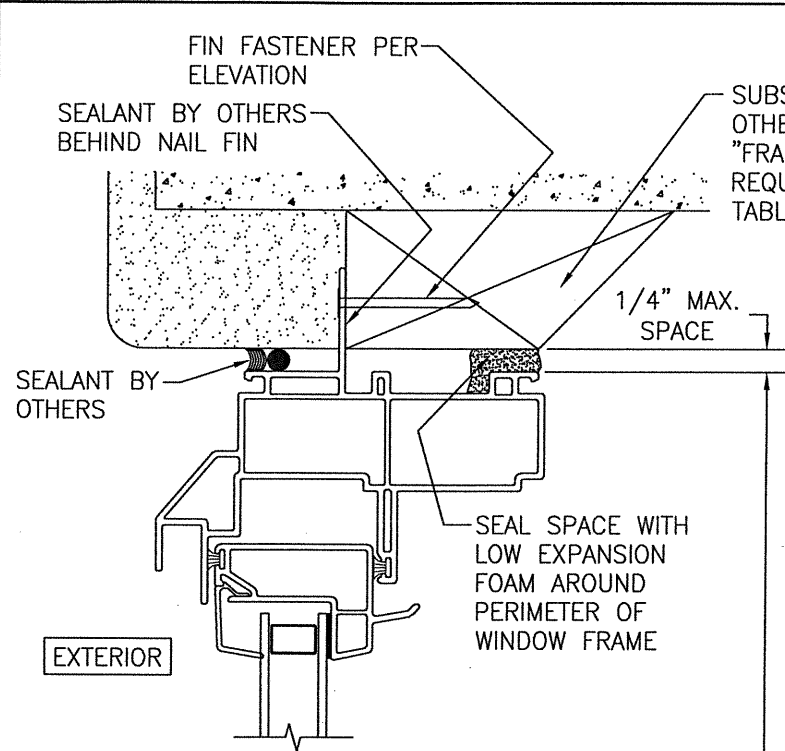
(FRAME SCREW AND CLIP MOUNT CONDITION)

ALLOWABLE DESIGN PRESSURE  
(108" X 72" TRIPLE WINDOW UNITS WITH FRAME SCREW & CLIP MOUNT INSTALLATION ONLY)

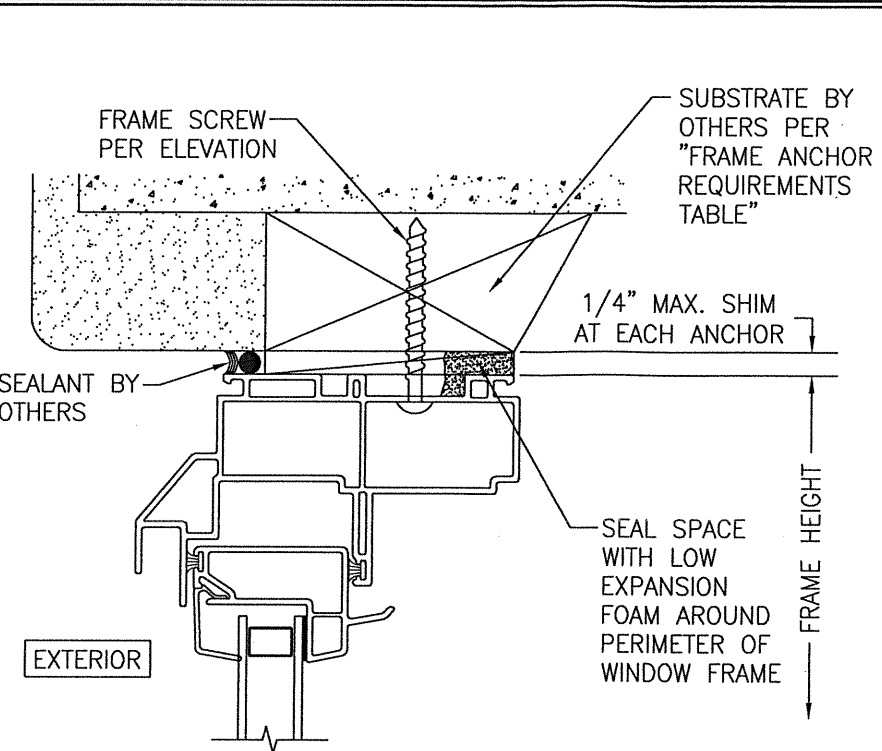
+/-30 PSF

DRAWN BY: W.W.S.	CHECKED BY: W.W.S.
PLOT: 1=16	DATE: 04/20/20
DATE	BY
REVISION DESCRIPTION	NO.
DRAWING TITLE <b>250 SERIES VINYL DOUBLE HUNG NON-IMPACT STANDARD PERFORMANCE WINDOW</b>	
JOB INFORMATION: <b>PELLA CORPORATION</b> 102 MAIN STREET PELLA, IA 50219 641-621-1000	
CONSULTANTS <b>W. W. SCHAEFER ENGINEERING &amp; CONSULTING, P.A. (REG. NO. F-14980)</b> 7480 150TH COURT NORTH PALM BEACH GARDENS, FL 33418 PHONE: 561-744-3424	
CERTIFICATION JUL 17 2020 WARREN W. SCHAEFER, P.E. P.E. NO. 113497	
DRAWING NO. <b>1868AT</b>	REV.
SHEET NO.	
<b>6 OF 8</b>	

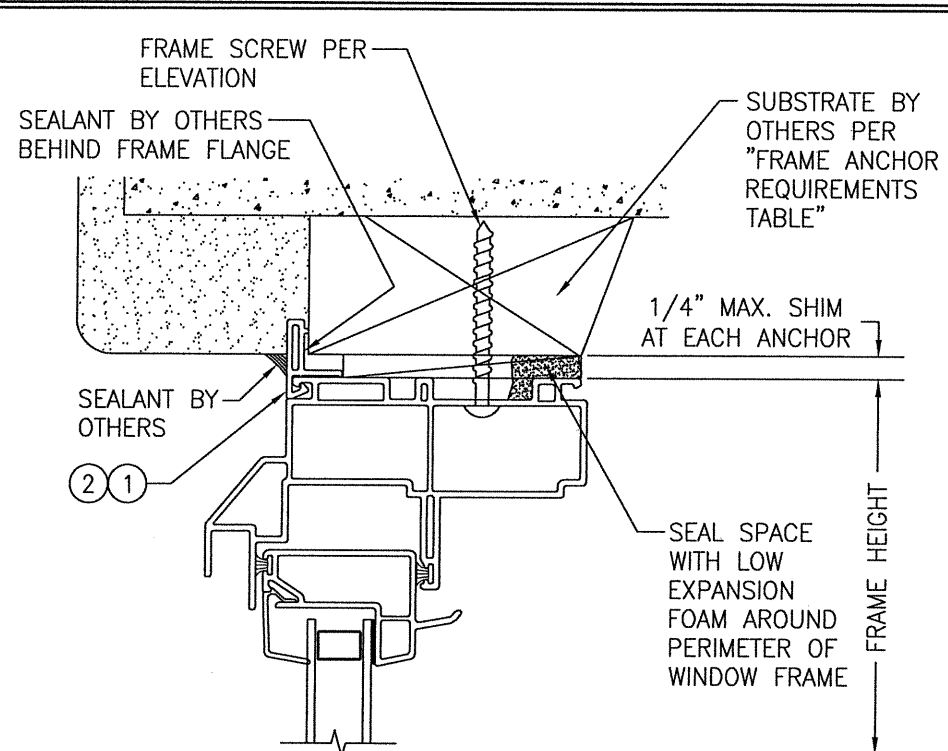




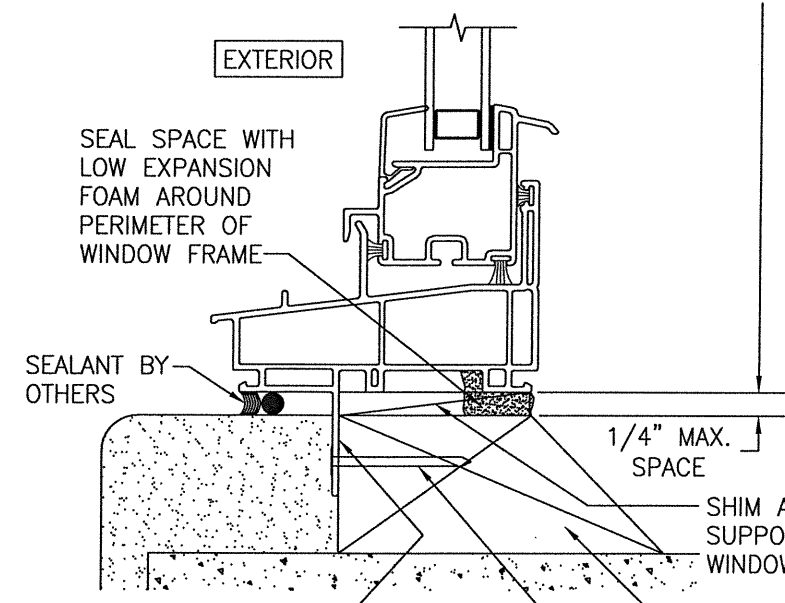
SECTION A1  
SCALE: 3/4 FULL  
(NAIL FIN MOUNT)



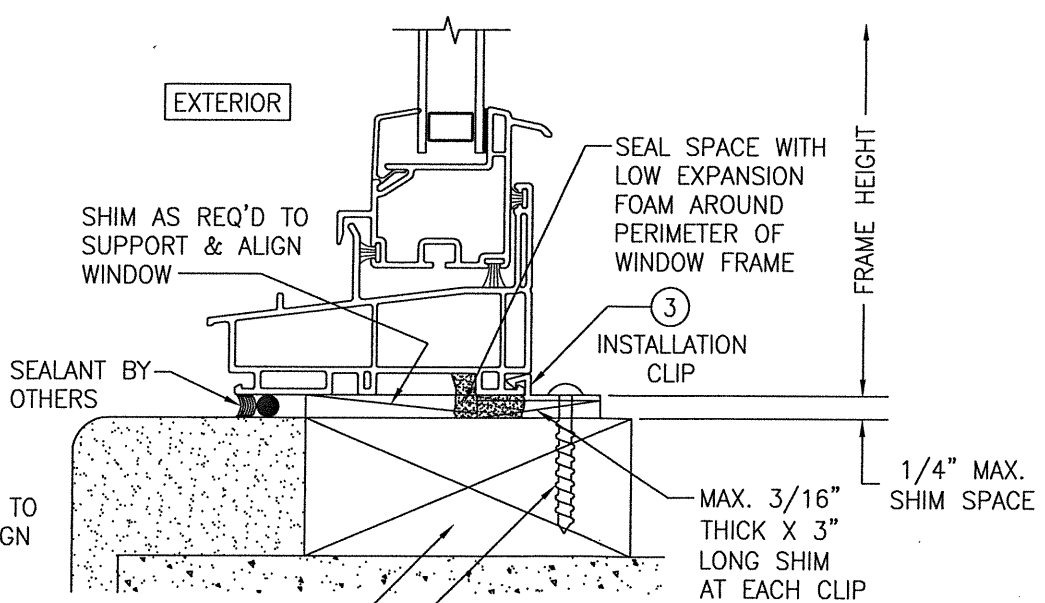
SECTION A2  
SCALE: 3/4 FULL  
(FRAME SCREW MOUNT CONDITION)



ALTERNATE SECTION A2  
SCALE: 1/2 FULL  
(FRAME SCREW MOUNT CONDITION WITH FLANGE)



SECTION B1  
SCALE: 3/4 FULL  
(NAIL FIN MOUNT)



SECTION B2  
SCALE: 3/4 FULL  
(INSTALLATION CLIP MOUNT CONDITION)

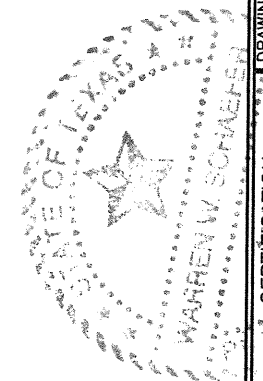
DRAWN BY: W.W.S.	CHECKED BY: W.W.S.
PLOT: 1=2	DATE: 04/20/20
NO.	REVISION DESCRIPTION
BY	DATE

250 SERIES VINYL DOUBLE HUNG NON-IMPACT STANDARD PERFORMANCE WINDOW

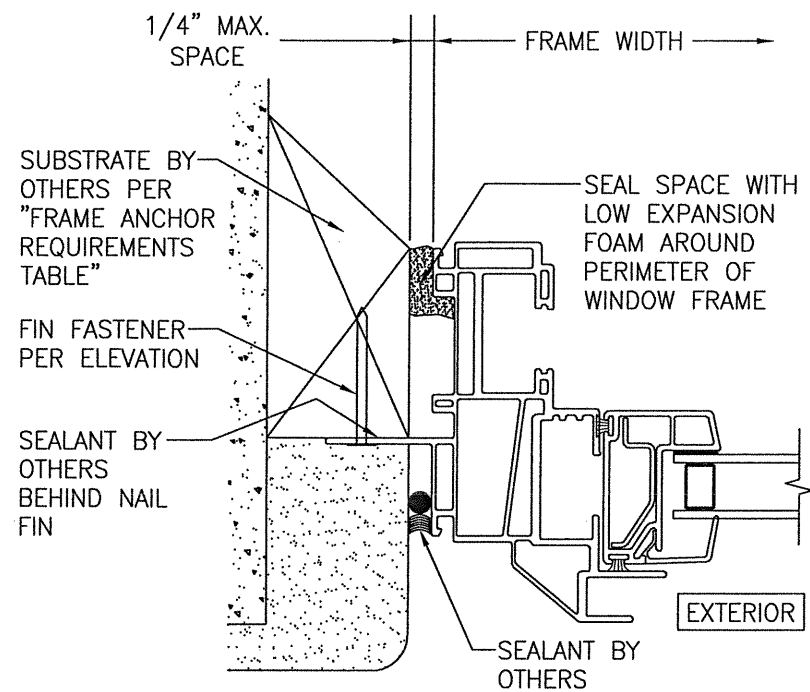


PELLA CORPORATION  
102 MAIN STREET  
PELLA, IA 50219  
641-621-1000

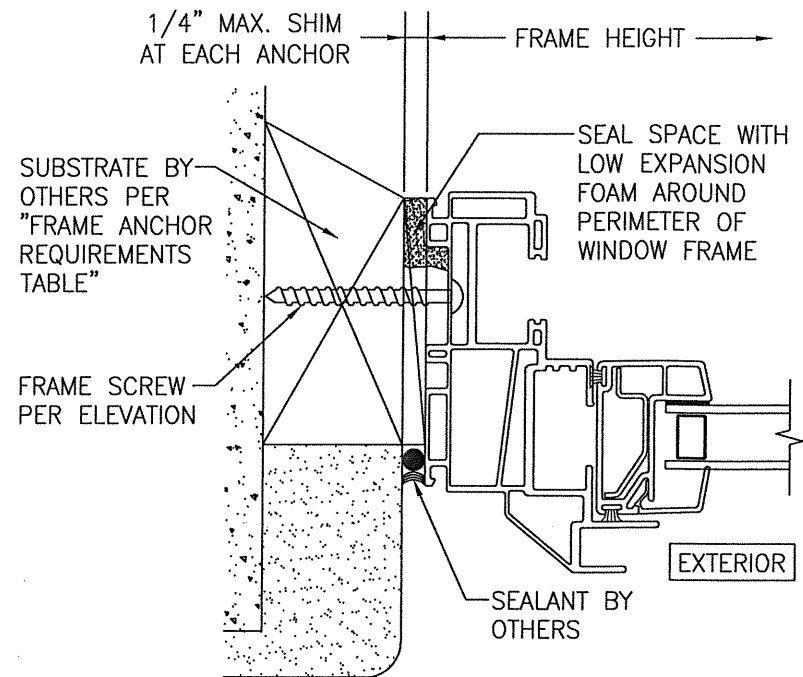
W. W. SCHAEFER ENGINEERING & CONSULTING, P.A. (REG. NO. F-14980)  
7480 150TH COURT NORTH  
PALM BEACH GARDENS, FL 33418  
PHONE: 561-744-3424



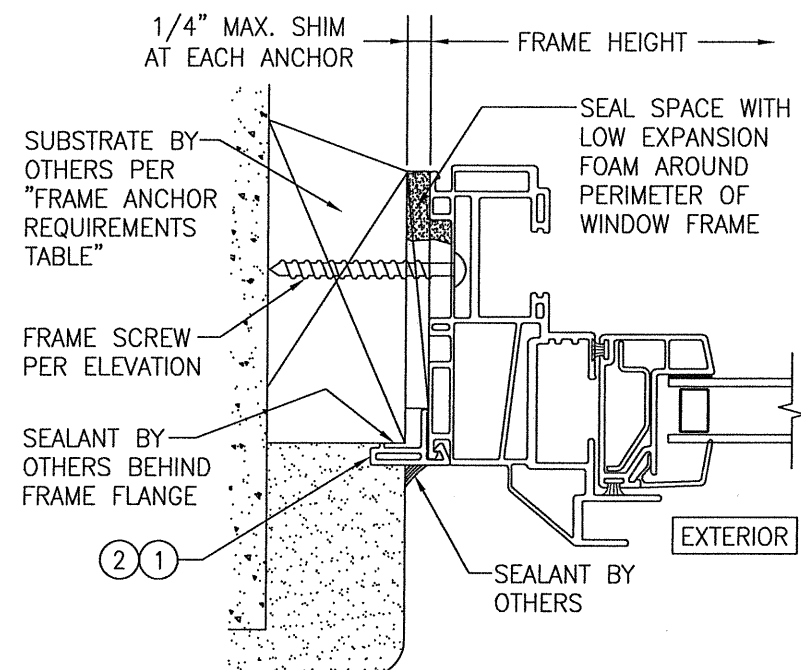
CERTIFICATION  
JUL 17 2020  
WARREN W. SCHAEFER, P.E.  
P.E. NO. 113497



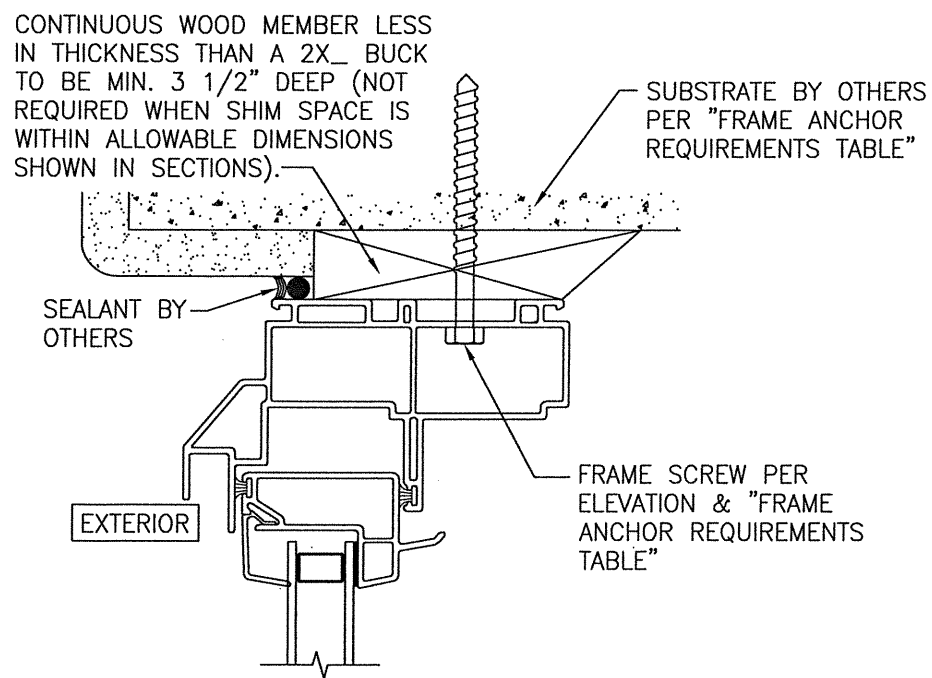
SECTION C1  
SCALE: 3/4 FULL  
(NAIL FIN MOUNT)



SECTION C2  
SCALE: 3/4 FULL  
(FRAME SCREW MOUNT CONDITION)

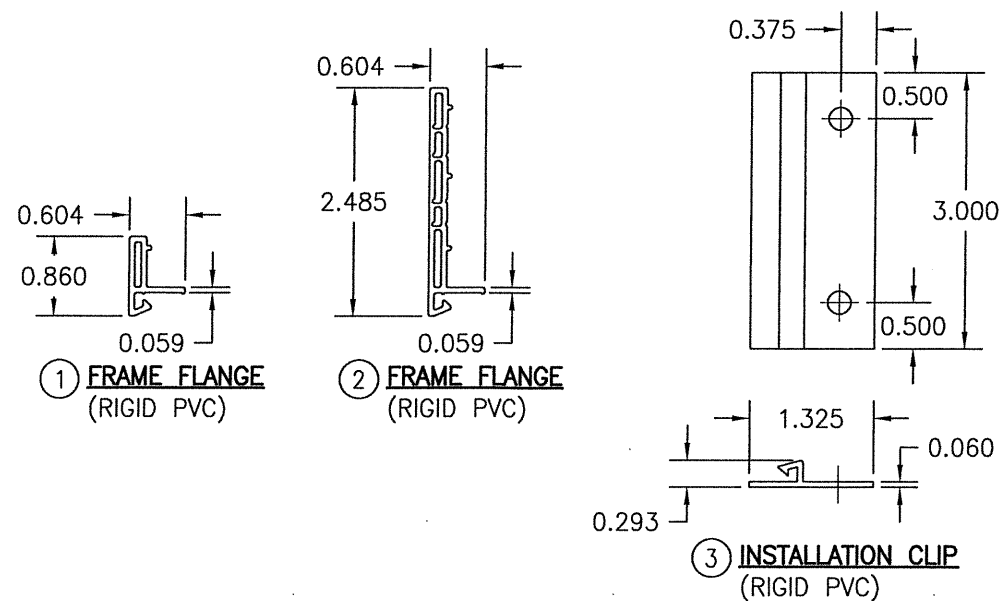


ALTERNATE SECTION C2  
SCALE: 1/2 FULL  
(FRAME SCREW MOUNT CONDITION WITH FLANGE)



**OPTIONAL DIRECT MOUNT DETAIL TO SUBSTRATE WITH SPACER**

(HEAD SECTION SHOWN; SIDES ARE INSTALLED THE SAME)  
(DIRECT MOUNT CONDITION IS NOT APPLICABLE AT SILL)  
(FOR DETAIL NOT SHOWN, SEE OTHER SECTIONS)



DRAWN BY: W.W.S.	CHECKED BY: W.W.S.
PLOT: 1=2	DATE: 04/20/20
DATE	BY
REVISION DESCRIPTION	
NO.	
DRAWING TITLE: 250 SERIES VINYL DOUBLE HUNG NON-IMPACT STANDARD PERFORMANCE WINDOW CONSULTANTS: W. W. SCHAEFER ENGINEERING & CONSULTING, P.A. (REG. NO. F-14980) 7480 150TH COURT NORTH, PALM BEACH GARDENS, FL 33418 PHONE: 561-744-3424	
JOB INFORMATION: PELLA CORPORATION 102 MAIN STREET PELLA, IA 50219 641-621-1000	
CERTIFICATION: WARREN W. SCHAEFER, P.E. LICENSED PROFESSIONAL ENGINEER JUL 17 2020 STATE OF TEXAS	
DRAWING NO. 1868AT	REV.
SHEET NO. 8	OF 8