

GENERAL NOTES:

1. ALL FASTENERS SHALL BE IN ACCORDANCE WITH THESE DRAWINGS. SPECIFIED ANCHOR EMBED TO BASE MATERIAL SHALL BE BEYOND WALL FINISH OR STUCCO.
2. OPENINGS, BUCKING & BUCKING FASTENERS MUST BE PROPERLY DESIGNED & INSTALLED TO TRANSFER WIND LOADS TO THE STRUCTURE.
3. THESE NON-IMPACT RATED PRODUCT INSTALLATIONS ARE IN ACCORDANCE WITH AND MEET THE REQUIREMENTS OF THE 2018 INTERNATIONAL BUILDING CODE (IBC).
4. ALL ANCHORS SECURING PRODUCT FRAME TO PRESSURE TREATED BUCKS OR WOOD FRAMING SHALL BE CAPABLE OF RESISTING CORROSION CAUSED BY THE PRESSURE TREATING CHEMICALS IN THE WOOD.
5. TO THE BEST OF OUR KNOWLEDGE, THE PRODUCT SHOWN HEREIN IS CERTIFIED & QUALITY ASSURED BY A NATIONALLY ACCREDITED CERTIFICATION/QA ENTITY & SHALL BE LABELED IN ACCORDANCE WITH CERTIFICATION/QA ENTITIES SPECIFICATIONS. PRODUCT ASSEMBLY IS NOT PART OF THIS DRAWING AND SHALL BE IN ACCORDANCE WITH THE MANUFACTURER'S QUALITY ASSURANCE SPECIFICATIONS & TESTING REPORTS.
6. CERTIFICATION OF THESE PRODUCT INSTALLATIONS SHALL BE CONSIDERED VOID IF ANY OF THE FOLLOWING APPLY: 1) THEY ARE INSTALLED WITHOUT A BUILDING PERMIT FROM THE APPLICABLE LOCAL BUILDING DEPARTMENT. 2) IF THEY ARE INSTALLED BY ANYONE OTHER THAN A LICENSED CONTRACTOR EXPERIENCED WITH WINDOW/DOOR INSTALLATIONS. 3) IF CHANGES HAVE OCCURRED TO THE PRODUCT'S CERTIFICATION ENTITY'S CERTIFICATE THAT CAUSE THESE INSTALLATIONS TO BE INCORRECT OR INCONSISTENT WITH WHAT HAS BEEN TESTED.
7. THE LEAST DESIGN PRESSURE SPECIFIED EITHER IN THIS DRAWING OR IN THE PRODUCT'S CERTIFICATION SHALL CONTROL FOR THE INSTALLED PRODUCT.
8. THESE DRAWINGS CERTIFY THE PRODUCT INSTALLATION ONLY. WATER PROOFING OF THE INSTALLED PRODUCT IS NOT PART OF THIS INSTALLATION CERTIFICATION. THAT RESPONSIBILITY SHALL BE THAT OF THE MANUFACTURER &/OR INSTALLER.

ALTERNATE ANCHOR/SUBSTRATE EVALUATION NOTE:
 ALL ALTERNATE ANCHORS IN THEIR SPECIFIED SUBSTRATES HAVE BEEN ANALYZED IN ACCORDANCE WITH THEIR APPLICABLE STANDARDS AND ARE FOUND TO BE EQUIVALENT TO OR STRONGER THAN THE ANCHOR(S) USED IN TESTING WITH THIS PRODUCT.

ALLOWABLE DESIGN PRESSURE		
MAX. FRAME WIDTH (IN.)	MAX. FRAME HEIGHT (IN.)	ALLOWABLE PRESSURE (+/- PSF) (1)
47.5	83.5	50
47.5	95.5	25

CONDITIONS SHOWN ON THIS DRAWING ARE GOVERNED BY INSTALLATION REQUIREMENTS ONLY. THE GOVERNING CONDITIONS ON ANY SPECIFIC WINDOW SHALL BE THE LESSER OF THOSE SPECIFIED IN THE WINDOWS TDI APPROVAL OR THAT SHOWN IN THESE DRAWINGS.

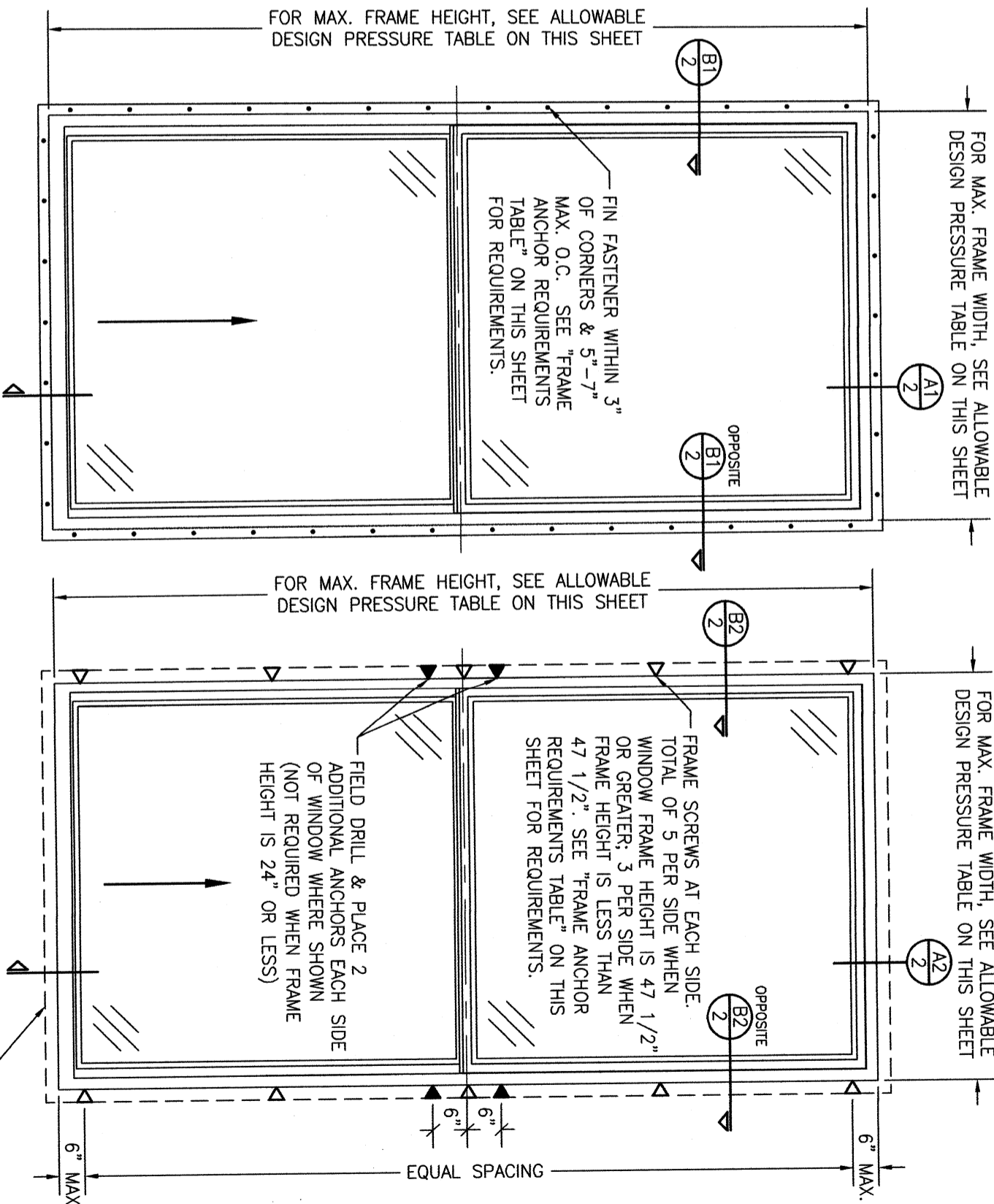
FRAME ANCHOR REQUIREMENTS TABLE

(3) FRAME SCREWS			
OPENING TYPE (SUBSTRATE)	FRAME TO OPENING FASTENER TYPE	MINIMUM EMBED	MINIMUM EDGE DIST.
MIN. 2X4 WOOD FRAME OR BUCK (MIN. GR. 3 & G=0.55)	NO. 10 SMS OR WOOD SCREW	1 1/4"	3/4"
MIN. 18 GA. 33 KSI METAL STUD	NO. 10 GR. 5 SELF TAP/DRILL SCREW	FULL	1/2"
MIN. 1/8" THK A36 STEEL	NO. 10 GR. 5 SELF TAP/DRILL SCREW	FULL	1/2"
MIN. 1/8" THK 6063-T5 ALUM.	NO. 10 GR. 5 SELF TAP/DRILL SCREW	FULL	1/2"
C-90 CMU/2500 PSI CONCRETE	(1) 1/4" CONCRETE SCREW	1 1/4"	2"

(2) NAILING FIN FASTENERS

MIN. 2X4 WOOD FRAME OR BUCK (MIN. GR. 3 & G=0.55)	NO. 8 X 1 1/2" SMS	1 3/8"	1/2"
MIN. 2X4 WOOD FRAME OR BUCK (MIN. GR. 3 & G=0.55)	1 1/2" X 11 GA. ROOFING NAIL	1 3/8"	1/2"
MIN. 1/8" THK A36 STEEL	NO. 8 GR. 5 SELF TAP/DRILL SCREW	FULL	1/2"
MIN. 1/8" THK 6063-T5 ALUM.	NO. 8 GR. 5 SELF TAP/DRILL SCREW	FULL	1/2"

(1) CONCRETE SCREWS SHALL BE ELCO ULTRACONS (C.S.), ELCO CRETE-FLEX (S.S.), ITW RAMSET/RED HEAD TAPCONS (C.S. OR S.S.) OR HILTI KWIK-CON II (C.S. OR S.S.).
 (2) WHEN SCREWS ARE USED WITH THE NAIL FIN, THEY MUST BE A WAFFLE HEAD SCREW OR HAVE A FLAT WASHER AT THE SCREW HEAD.
 (3) FRAME SCREWS MUST BE A PAN OR HEX HEAD SCREW.

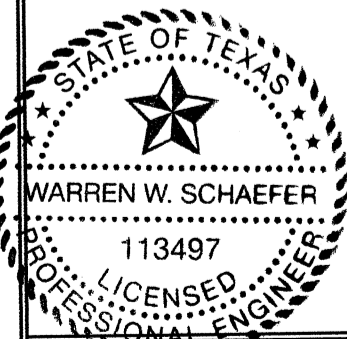


**EXTERIOR ELEVATION:
 SINGLE WINDOW**
 SCALE: 3/4" = 1'-0"
 (NAIL FIN MOUNT CONDITION)

**EXTERIOR ELEVATION:
 SINGLE WINDOW**
 SCALE: 3/4" = 1'-0"
 (FRAME SCREW MOUNT CONDITION)

INSTALLATION EVALUATION IS BASED ON APPLICABLE ANCHOR STANDARDS AND/OR INFORMATION & RESULTS FROM APPLICABLE TEST REPORTS. THE BUILDING CODE VERSION CONSIDERED WITH THE EVALUATION WAS THAT IN FORCE AT THE TIME OF THE EVALUATION. IN THE EVENT OF CODE VERSION CHANGES/UPDATES OR IN THE EVENT THAT NEW OR ADDITIONAL TESTING IS COMPLETED ON THE REFERENCED PRODUCT PRIOR TO STATING CODE COMPLIANCE, THE MANUFACTURER SHALL CONFIRM WITH THE INSTALLATION EVALUATION ENGINEER OF RECORD THAT THE INSTALLATIONS SPECIFIED HERE-IN ARE CURRENT WITH THE THEN CURRENT TESTING, CODE AND APPLICABLE STANDARDS.

THESE DRAWINGS ARE APPLICABLE ONLY TO THE PRODUCT SPECIFIED. THEY MAY NOT BE USED FOR THE ASSEMBLY AND/OR INSTALLATION OF ANY OTHER PRODUCT NOR MAY THEY BE USED FOR RATIONAL AND/OR LOCAL APPROVAL OF ANY PRODUCT NOT PRODUCED BY THE MANUFACTURER STATED ON THESE DRAWINGS.



WARREN W. SCHAEFER
 113497
 PROFESSIONAL ENGINEER
 STATE OF TEXAS
 SEP 14 2022
 WARREN W. SCHAEFER, P.E.
 P.E. NO. 113497

DRAWING TITLE
 IMPERVIA NON-IMPACT SINGLE HUNG WINDOW

CONSULTANTS
 W. W. SCHAEFER ENGINEERING & CONSULTING, P.A. (REG. NO. F-14980)
 7480 150TH COURT NORTH
 PALM BEACH GARDENS, FL 33418
 PHONE: 561-744-3424

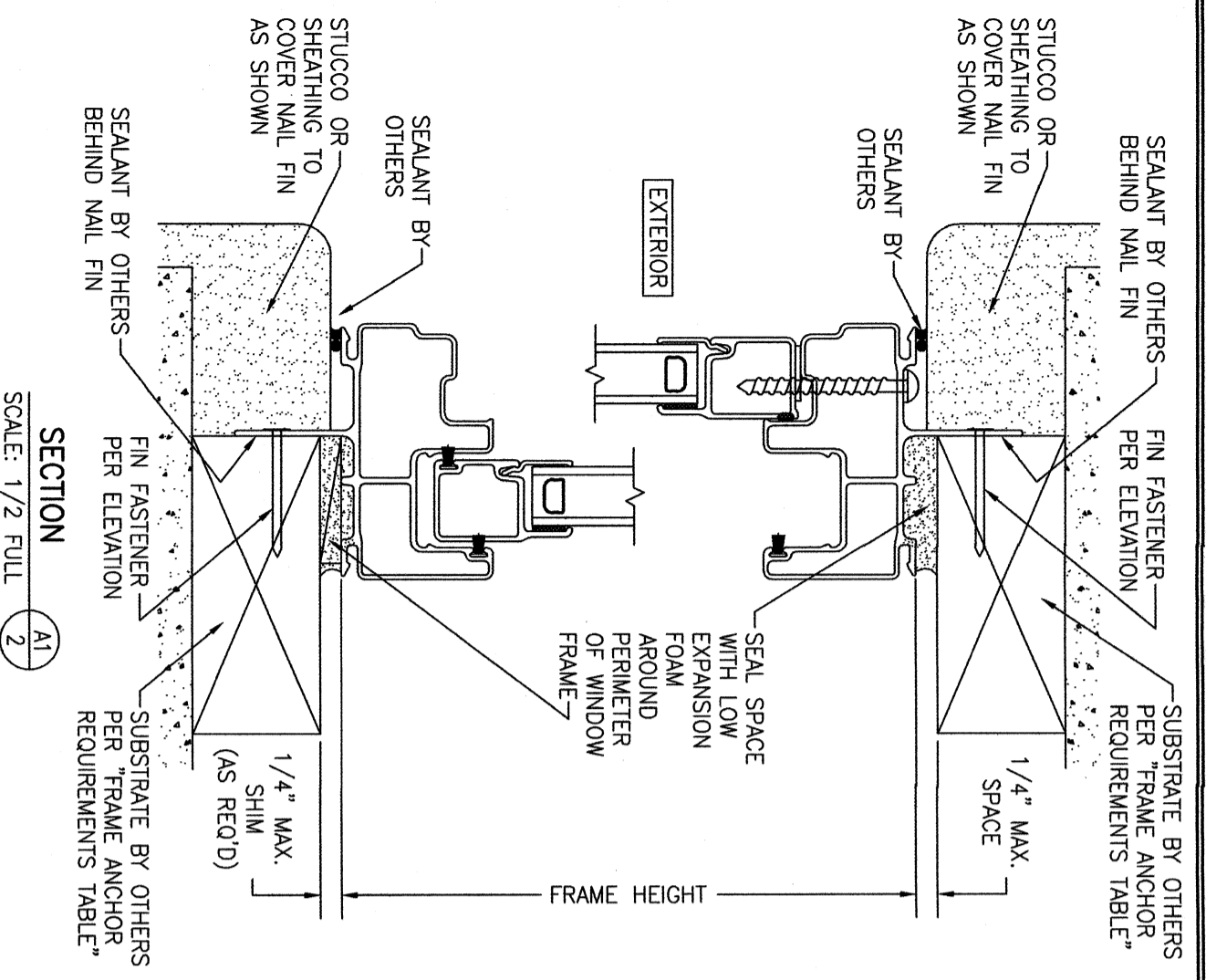
JOB INFORMATION:

PELLA CORPORATION
 102 MAIN STREET
 PELLA, IA 50219
 641-621-1000

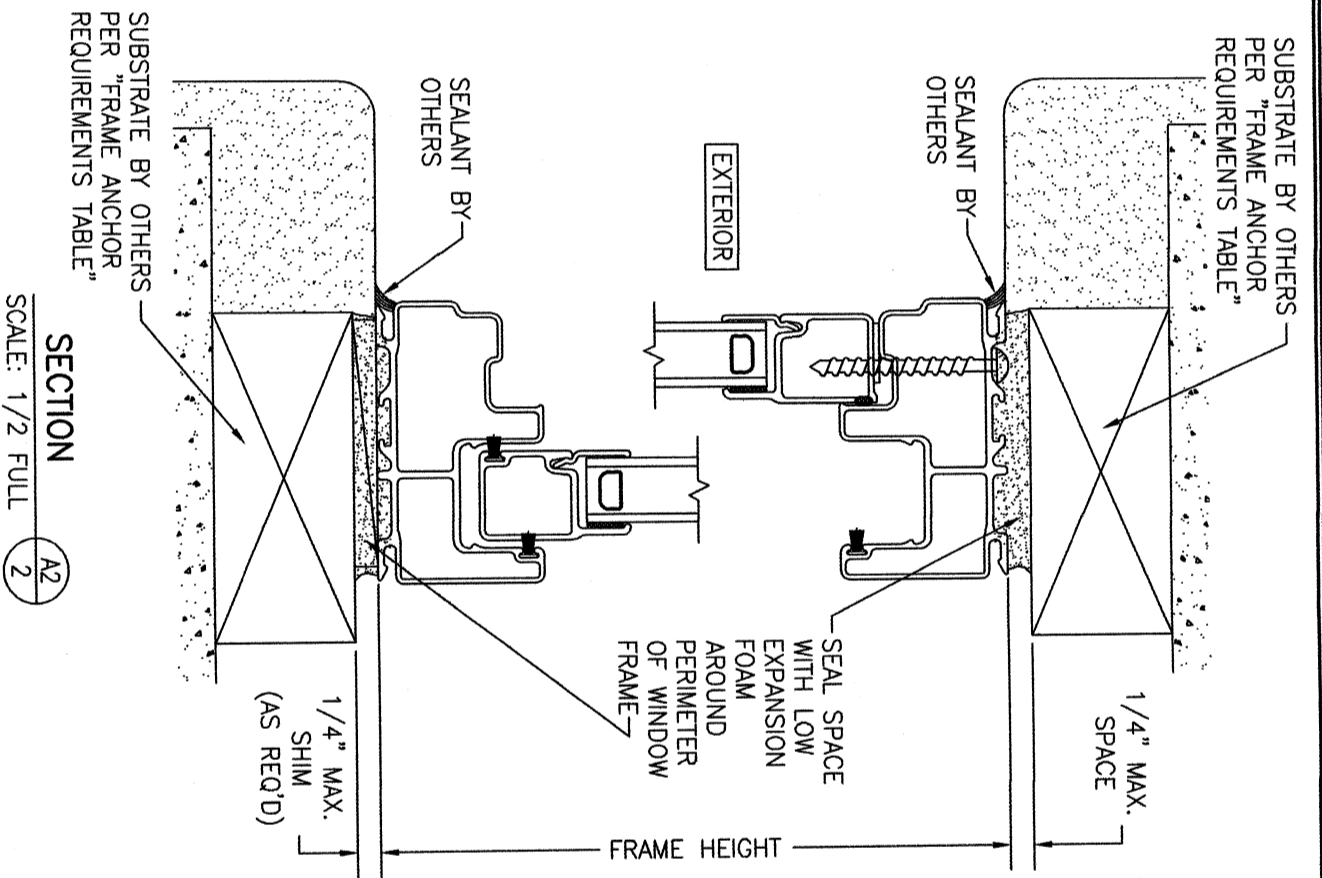
NO.	REVISION DESCRIPTION	BY	DATE

DRAWN BY: W.W.S.
 CHECKED BY: W.W.S.
 DATE: 07/08/14
 PLOT: 1=16

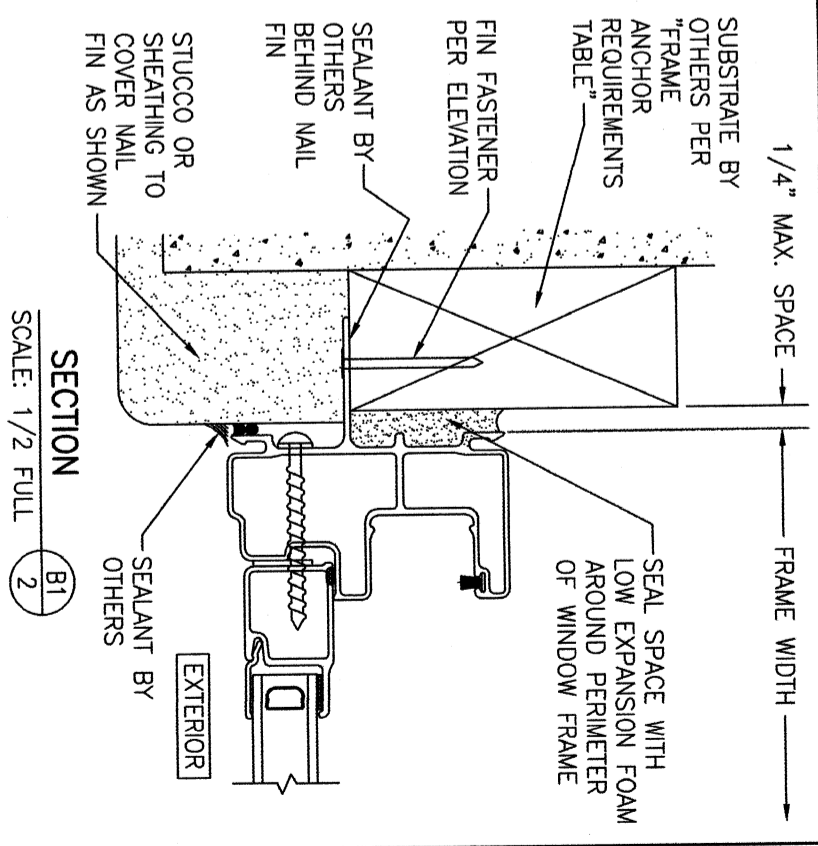
CERTIFICATION
 1653T
 SHEET NO. 1 OF 3



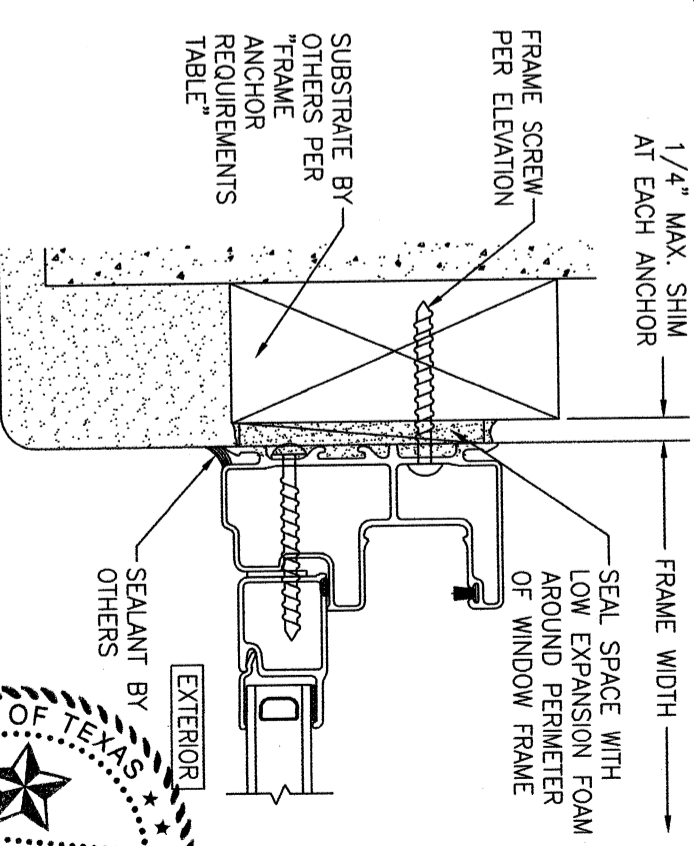
INTEGRAL NAIL FIN MOUNT CONDITION SHOWN. SEE DETAIL ON SHEET 3 FOR SLIDE-IN NAIL FIN MOUNT CONDITION.



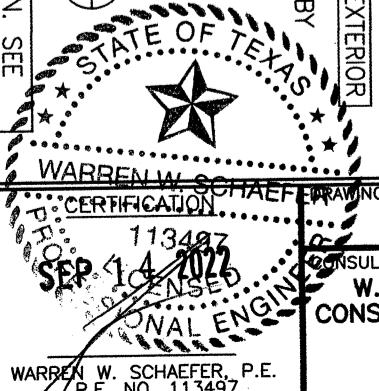
TYPICAL FRAME CONDITION SHOWN. SEE DETAILS ON SHEET 3 FOR FLANGED FRAME & DIRECT MOUNT CONDITIONS.



INTEGRAL NAIL FIN MOUNT CONDITION SHOWN. SEE DETAIL ON SHEET 3 FOR SLIDE-IN NAIL FIN MOUNT CONDITION.

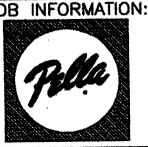


TYPICAL FRAME CONDITION SHOWN. SEE DETAILS ON SHEET 3 FOR FLANGED FRAME & DIRECT MOUNT CONDITIONS.



IMPERVIA NON-IMPACT SINGLE HUNG WINDOW

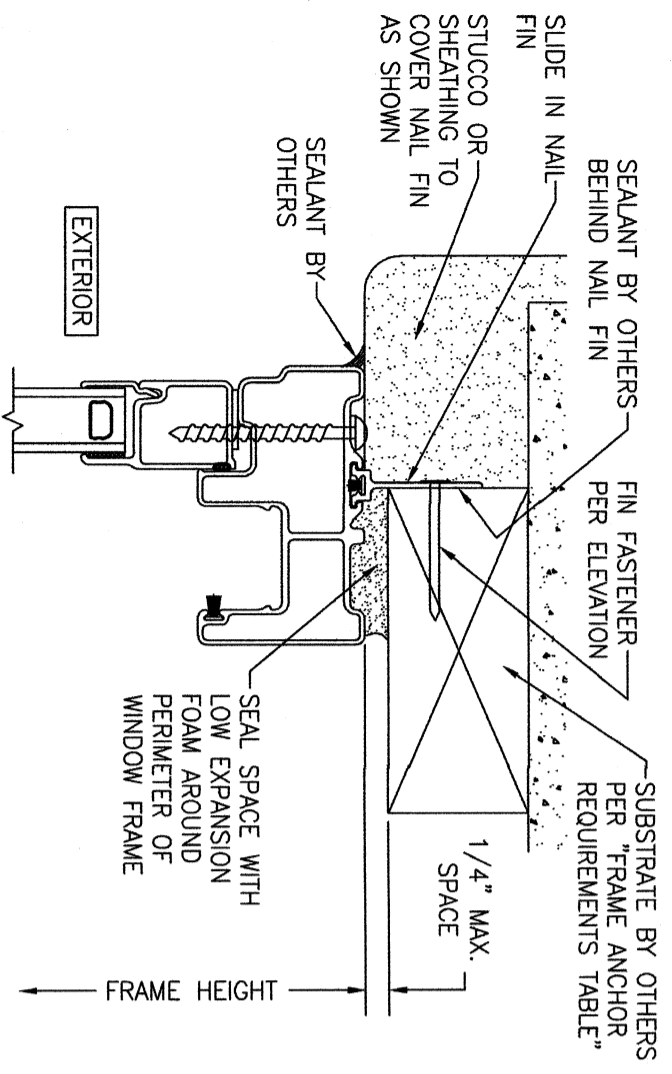
CONSULTANTS
W. W. SCHAEFER ENGINEERING & CONSULTING, P.A. (REG. NO. F-14980)
 7480 150TH COURT NORTH
 PALM BEACH GARDENS, FL 33418
 PHONE: 561-744-3424



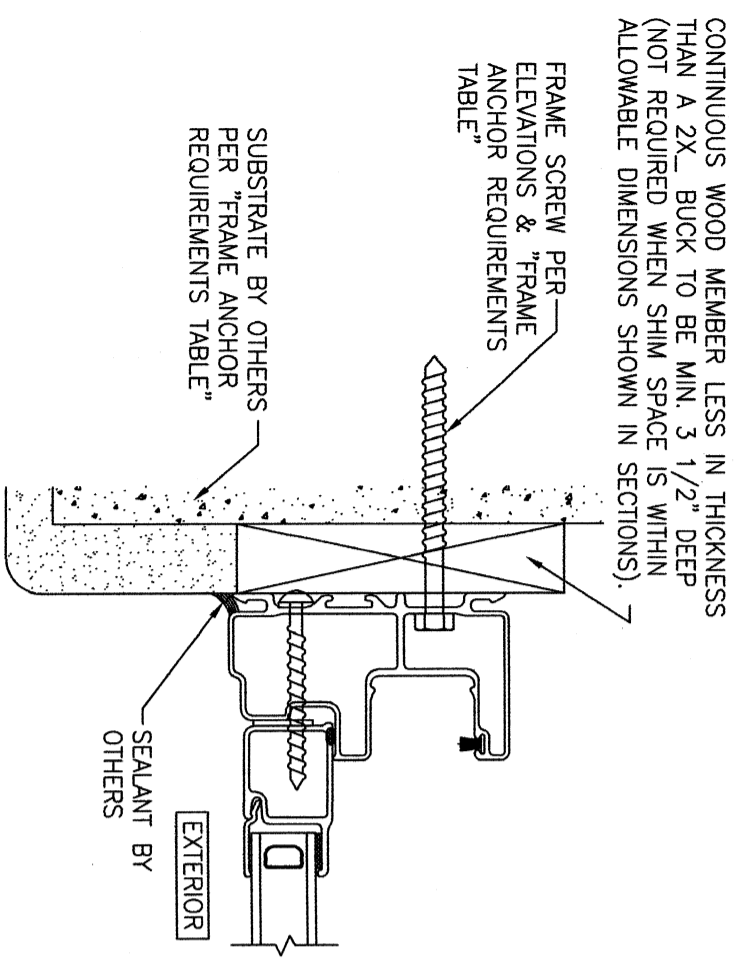
PELLA CORPORATION
 102 MAIN STREET
 PELLA, IA 50219
 641-621-1000

NO.	REVISION DESCRIPTION	BY	DATE
1-2			07/08/14

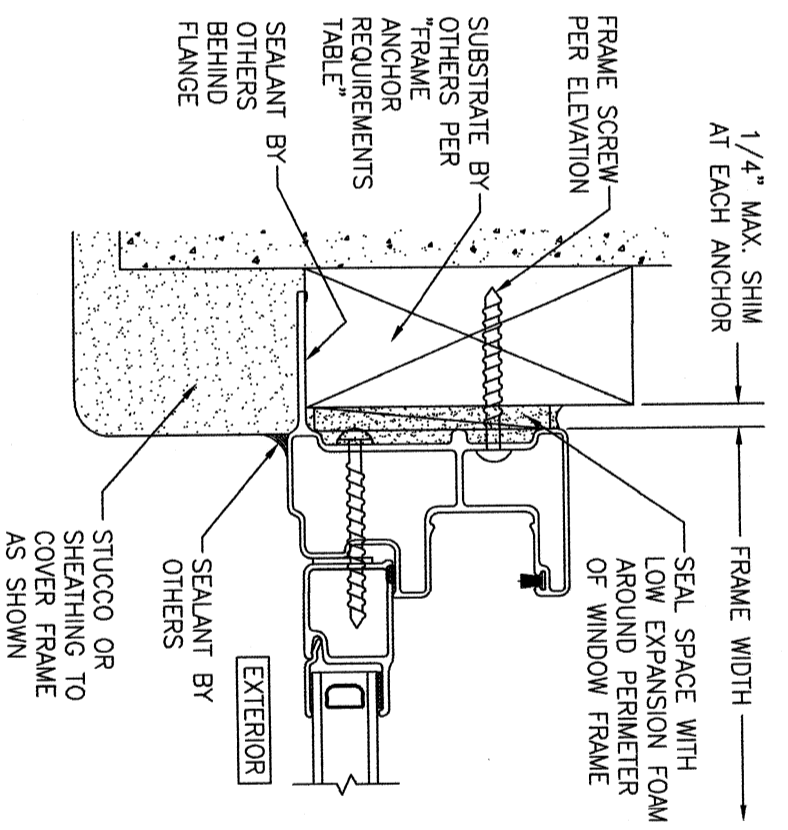
DRAWING NO.: 1653T
 SHEET NO.: 2 OF 3



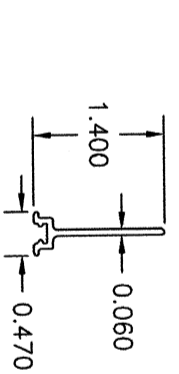
OPTIONAL SLIDE-IN NAIL FIN INSTALLATION DETAIL
(HEAD SECTION SHOWN, SILL & SIDES ARE INSTALLED THE SAME)



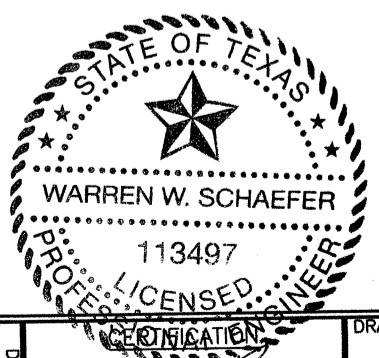
OPTIONAL DIRECT MOUNT DETAIL TO SUBSTRATE WITH SPACER



OPTIONAL FLANGED FRAME INSTALLATION DETAIL




RIGID PVC SLIDE-IN NAIL FIN



SEP 14 2022

WARREN W. SCHAEFER, P.E.
P.E. NO. 113497

DRAWING TITLE IMPERVIA NON-IMPACT SINGLE HUNG WINDOW		JOB INFORMATION:  PELLA CORPORATION 102 MAIN STREET PELLA, IA 50219 641-621-1000	
CONSULTANTS W. W. SCHAEFER ENGINEERING & CONSULTING, P.A. (REG. NO. F-14980) 7480 150TH COURT NORTH PALM BEACH GARDENS, FL 33418 PHONE: 561-744-3424			

NO.	REVISION DESCRIPTION	BY	DATE
1-2			

DRAWING NO. 1653T
SHEET NO. 3 OF 3