

REVISIONS			
REV	DESCRIPTION	DATE	APPROVED
A	REVISED PER NEW CODE	12/14/2021	R.L.

NOTES:

1. THE PRODUCT SHOWN HEREIN IS DESIGNED AND MANUFACTURED TO COMPLY WITH REQUIREMENTS OF THE 2018 IBC AND 2018 IRC.
2. WOOD FRAMING AND MASONRY OPENING TO BE DESIGNED AND ANCHORED TO PROPERLY TRANSFER ALL LOADS TO STRUCTURE. FRAMING AND MASONRY OPENING IS THE RESPONSIBILITY OF THE ARCHITECT OR ENGINEER OF RECORD.
3. 1X BUCK OVER MASONRY/CONCRETE IS OPTIONAL. WHERE 1X BUCK IS NOT USED DISSIMILAR MATERIALS MUST BE SEPARATED WITH APPROVED COATING OR MEMBRANE. SELECTION OF COATING OR MEMBRANE IS THE RESPONSIBILITY OF THE ARCHITECT OR ENGINEER OF RECORD.
4. ALLOWABLE STRESS INCREASE OF 1/3 WAS NOT USED IN THE DESIGN OF THE PRODUCT SHOWN HEREIN. WIND LOAD DURATION FACTOR Cd=1.6 WAS USED FOR WOOD ANCHOR CALCULATIONS.
5. FRAME MATERIAL: EXTRUDED RIGID PVC.
6. UNITS MUST BE GLAZED PER ASTM E1300, SEE SHEET 2 FOR GLASS DETAILS.
7. APPROVED IMPACT PROTECTIVE SYSTEM IS NOT REQUIRED FOR THIS PRODUCT IN WIND BORNE DEBRIS REGIONS.
8. SHIM AS REQUIRED AT EACH INSTALLATION ANCHOR WITH LOAD BEARING SHIM. SHIM WHERE SPACE OF 1/16" OR GREATER OCCURS. MAXIMUM ALLOWABLE SHIM STACK TO BE 1/4".
9. FOR ANCHORING THROUGH FIN INTO WOOD FRAMING OR 2X BUCK USE #8 WOOD SCREWS WITH SUFFICIENT LENGTH TO ACHIEVE A 1 1/4" MINIMUM EMBEDMENT INTO SUBSTRATE. LOCATE ANCHORS AS SHOWN IN ELEVATIONS AND INSTALLATION DETAILS.
10. FOR ANCHORING THROUGH FIN INTO WOOD FRAMING OR 2X BUCK USE 6D COMMON NAILS WITH SUFFICIENT LENGTH TO ACHIEVE A 1 1/2" MINIMUM EMBEDMENT INTO SUBSTRATE. LOCATE ANCHORS AS SHOWN IN ELEVATIONS AND INSTALLATION DETAILS.
11. FOR ANCHORING THROUGH FRAME INTO WOOD FRAMING OR 2X BUCK USE #8 WOOD SCREWS WITH SUFFICIENT LENGTH TO ACHIEVE A 1 1/4" MINIMUM EMBEDMENT INTO SUBSTRATE. LOCATE ANCHORS AS SHOWN IN ELEVATIONS AND INSTALLATION DETAILS.
12. FOR ANCHORING THROUGH FRAME INTO MASONRY/CONCRETE USE 3/16" TAPCONS WITH SUFFICIENT LENGTH TO ACHIEVE A 1 1/4" MINIMUM EMBEDMENT INTO SUBSTRATE WITH 2" MINIMUM EDGE DISTANCE. LOCATE ANCHORS AS SHOWN IN ELEVATIONS AND INSTALLATION DETAILS.
13. FOR ANCHORING THROUGH FRAME INTO METAL STRUCTURE USE #8 SMS OR SELF DRILLING SCREWS WITH SUFFICIENT LENGTH TO ACHIEVE 3 THREADS MINIMUM BEYOND STRUCTURE INTERIOR WALL. LOCATE ANCHORS AS SHOWN IN ELEVATIONS AND INSTALLATION DETAILS.
14. ALL FASTENERS TO BE CORROSION RESISTANT.
15. INSTALLATION ANCHORS SHALL BE INSTALLED IN ACCORDANCE WITH ANCHOR MANUFACTURER'S INSTALLATION INSTRUCTIONS AND ANCHORS SHALL NOT BE USED IN SUBSTRATES WITH STRENGTHS LESS THAN THE MINIMUM STRENGTH SPECIFIED BELOW:
  - A. WOOD – MINIMUM SPECIFIC GRAVITY OF G=0.42
  - B. CONCRETE – MINIMUM COMPRESSIVE STRENGTH OF 3,192 PSI.
  - C. MASONRY – STRENGTH CONFORMANCE TO ASTM C-90, GRADE N, TYPE 1 (OR GREATER).
  - D. METAL STRUCTURE: STEEL 18GA, 33KSI OR ALUMINUM 6063-T5 1/8" THICK MINIMUM

SIGNED: 02/02/2022

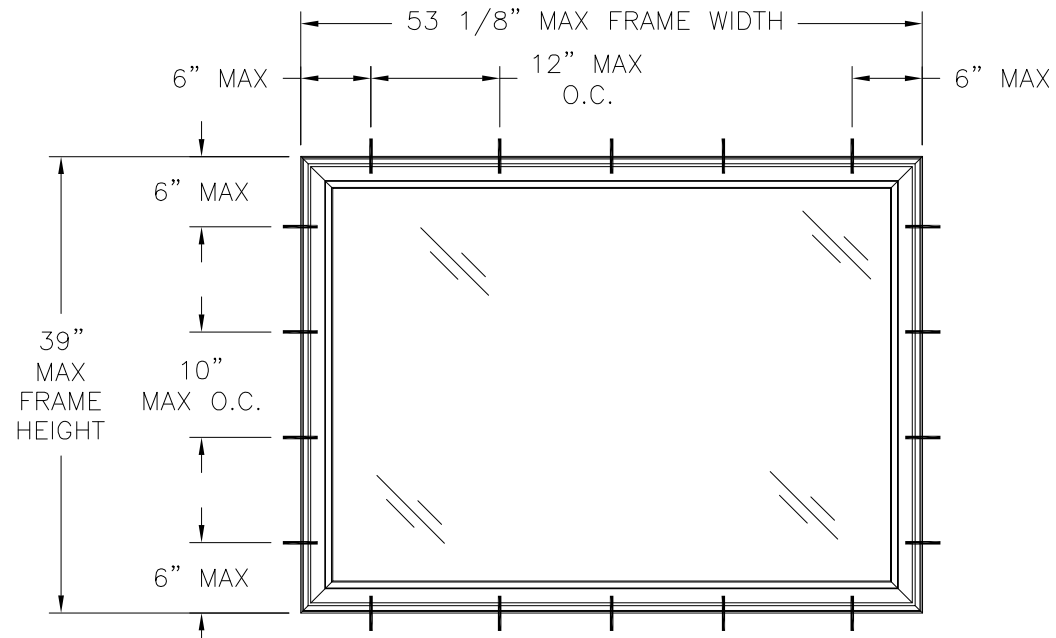
TABLE OF CONTENTS	
SHEET NO.	DESCRIPTION
1	NOTES
2	ELEVATIONS
3 - 7	INSTALLATION DETAILS

<b>SHOWCASE CUSTOM WINDOWS &amp; DOORS</b> 12613 CITYPARK DRIVE, SUITE 100 MISSOURI CITY, TX 77489		
MODEL 143.191 VINYL AWNING WINDOW NC/REP IMPACT 53 1/8" X 39" NOTES		
DRAWN: A.R.	DWG NO. 08-03104	REV A
SCALE NTS	DATE 05/01/17	SHEET 1 OF 7
L. ROBERTO LOMAS P.E. 1432 WOODFORD RD LEWISVILLE, NC 27023 434-688-0609 rllomas@rlomaspe.com		

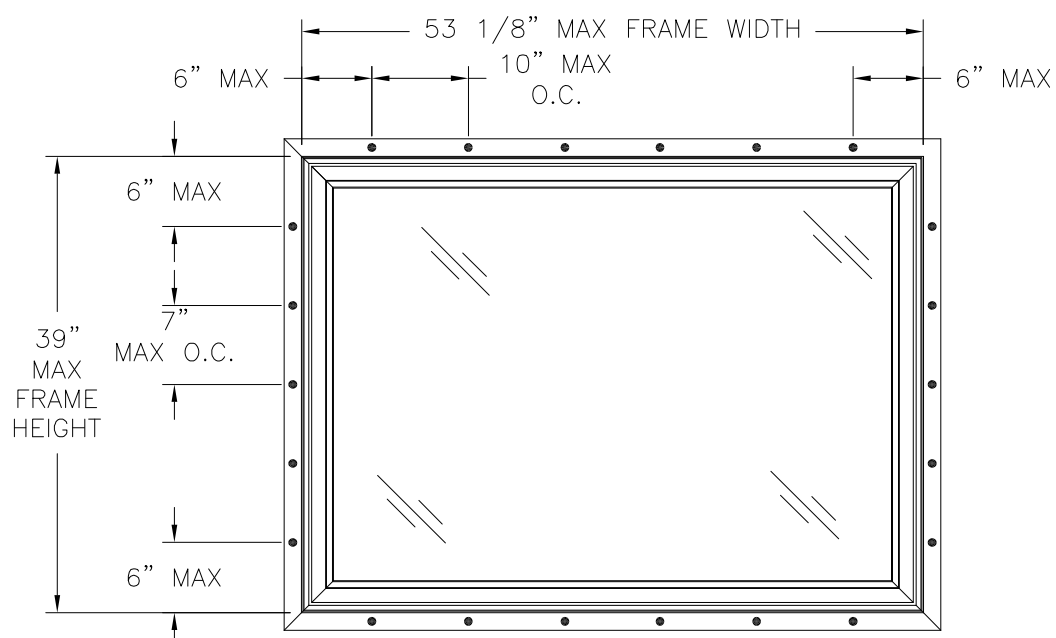


Luis R. Lomas P.E.  
 TX No.: 101889  
 Firm No: F-23130

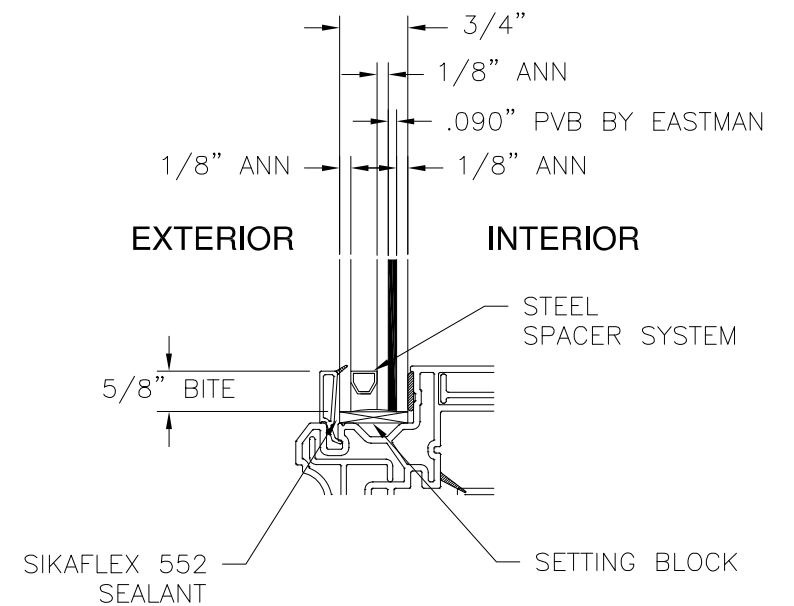
REVISIONS			
REV	DESCRIPTION	DATE	APPROVED
A	REVISED PER NEW CODE	12/14/2021	R.L.



**143.191 VINYL AWNING WINDOW, REP**  
EXTERIOR VIEW  
FRAME INSTALLATION



**143.19 VINYL AWNING WINDO, NC**  
EXTERIOR VIEW  
FIN INSTALLATION



**GLAZING DETAIL**

DESIGN PRESSURE RATING	IMPACT RATING
<b>±50.0PSF</b>	<b>LARGE AND SMALL MISSILE IMPACT</b>

MISSILE LEVEL D, WIND ZONE 4

**NOTES:**

1. MAXIMUM SASH SIZE: 52" x 37 5/8"
2. MAXIMUM D.L.O.: 48 3/16" x 34 1/16"

**HARDWARE SCHEDULE**

A.	(1) MAXIM HINGED DUAL ARM OPERATOR AT CENTER MID-SPAN OF FRAME SILL
B.	(2) MAXIM MULTI-POINT LOCK BARS AT 9" FROM CORNER EACH OF FRAME LOCK JAMB
C.	(3) KEEPER LOCKING POINT AT 12", 25" AND 38" ON SASH LOCK RAIL FROM TOP OF SASH TOP LOCK STILE
D.	(2) LONG ALUMINUM IMPACT SNUBBERS ( 1 1/2") AT 18" AND 36" ON FRAME HEAD
E.	(1) EXTRUDED ALUMINUM REINFORCEMENT (10500006-A) AT EXTERIOR LEG OF SASH STILES AND RAILS
F.	(1) EXTRUDED ALUMINUM REINFORCEMENT (10300091) AT INTERIOR LEG OF SASH STILES AT EACH FRAME JAMB

SIGNED: 02/02/2022

**SHOWCASE CUSTOM WINDOWS & DOORS**  
12613 CITYPARK DRIVE, SUITE 100  
MISSOURI CITY, TX 77489

MODEL 143.191 VINYL AWNING WINDOW NC/REP  
IMPACT 53 1/8" X 39"  
ELEVATIONS

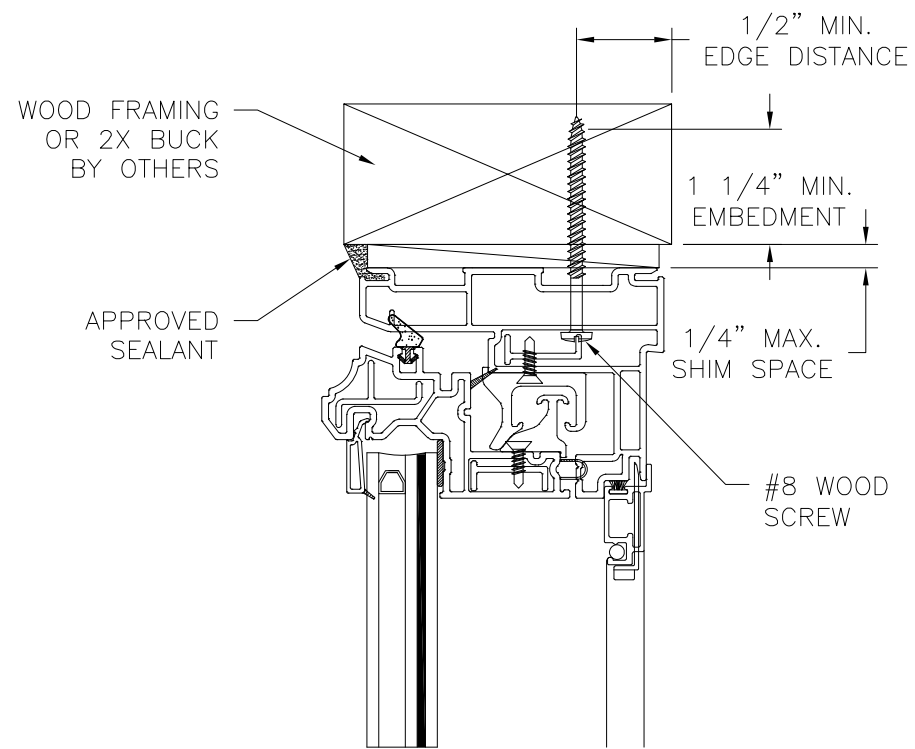
DRAWN: A.R.	DWG NO. 08-03104	REV A
SCALE NTS	DATE 05/01/17	SHEET 2 OF 7

L. ROBERTO LOMAS P.E.  
1432 WOODFORD RD LEWISVILLE, NC 27023  
434-688-0609 rllomas@rlomaspe.com



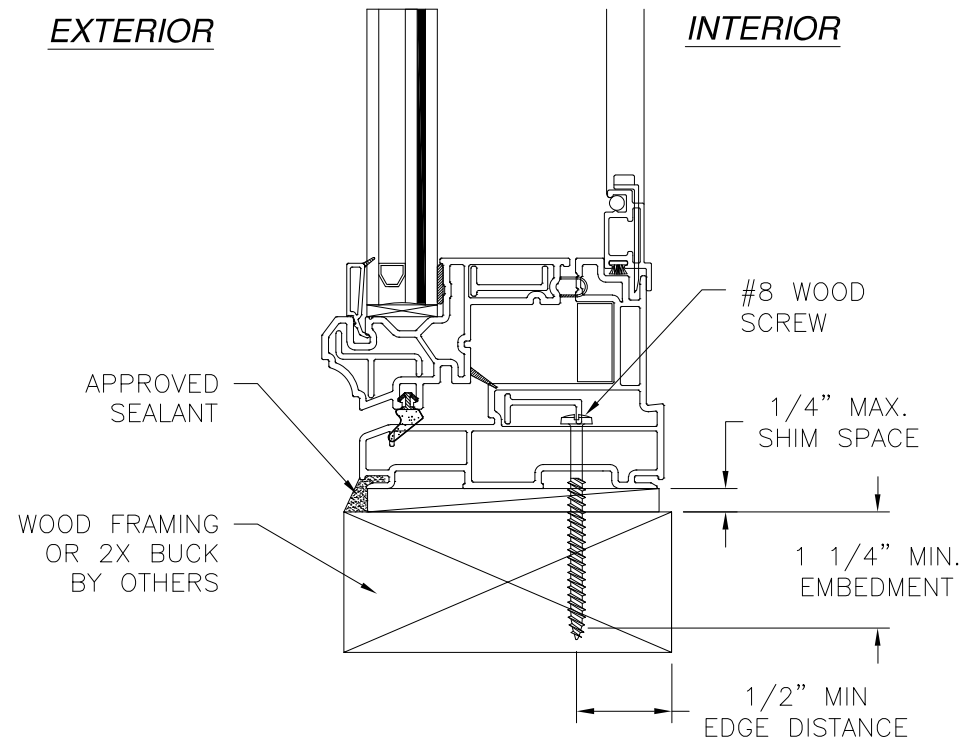
Luis R. Lomas P.E.  
TX No.: 101889  
Firm No: F-23130

REVISIONS			
REV	DESCRIPTION	DATE	APPROVED
A	REVISED PER NEW CODE	12/14/2021	R.L.

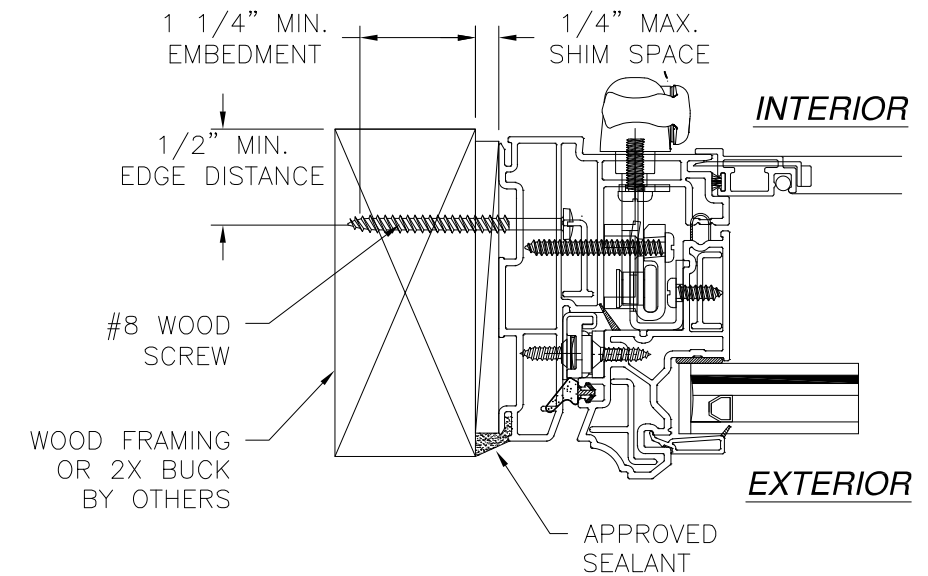


**EXTERIOR**

**INTERIOR**



**VERTICAL CROSS SECTION**  
WOOD FRAMING OR 2X BUCK INSTALLATION



**JAMB INSTALLATION DETAIL**  
WOOD FRAMING OR 2X BUCK INSTALLATION

**NOTES:**

1. INTERIOR AND EXTERIOR FINISHES, BY OTHERS, NOT SHOWN FOR CLARITY.
2. PERIMETER AND JOINT SEALANT BY OTHERS TO BE DESIGNED IN ACCORDANCE WITH ASTM E2112

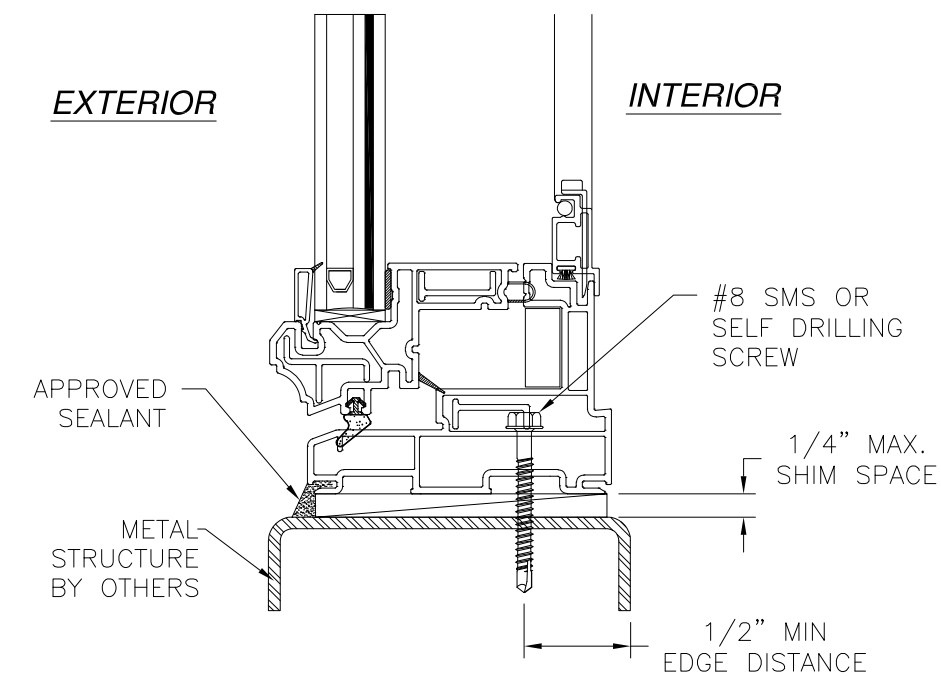
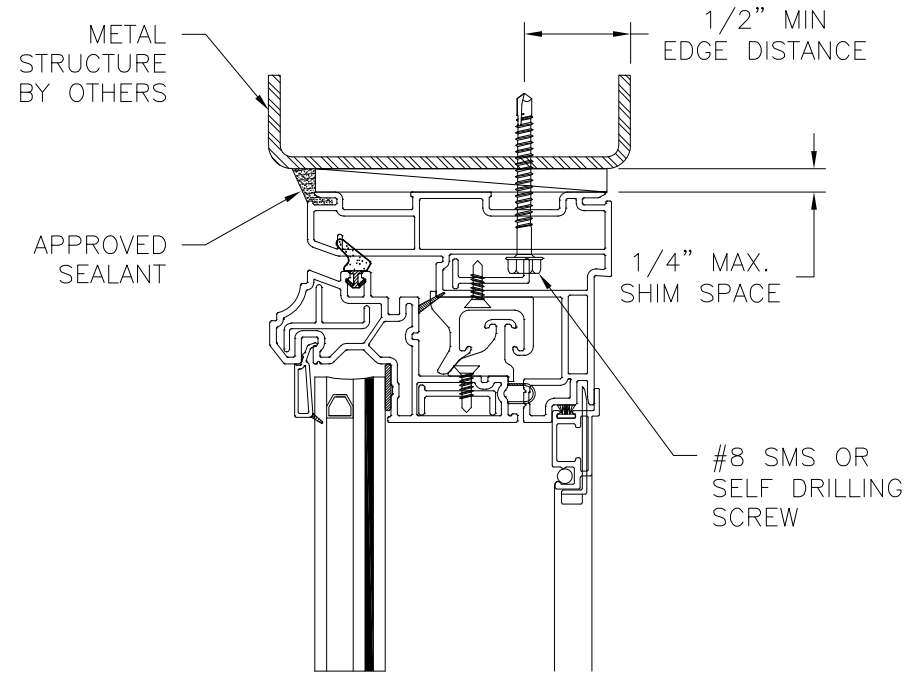
SIGNED: 02/02/2022

<b>SHOWCASE CUSTOM WINDOWS &amp; DOORS</b> 12613 CITYPARK DRIVE, SUITE 100 MISSOURI CITY, TX 77489		
MODEL 143.191 VINYL AWNING WINDOW NC/REP IMPACT 53 1/8" X 39" INSTALLATION DETAILS		
DRAWN: A.R.	DWG NO. 08-03104	REV A
SCALE NTS	DATE 05/01/17	SHEET 3 OF 7
L. ROBERTO LOMAS P.E. 1432 WOODFORD RD LEWISVILLE, NC 27023 434-688-0609 rllomas@lrlomaspe.com		

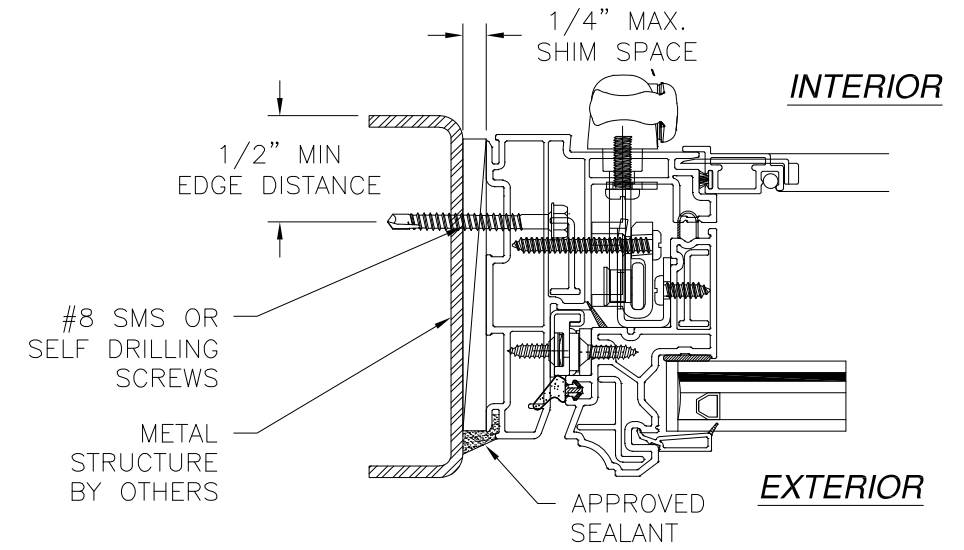


Luis R. Lomas P.E.  
TX No.: 101889  
Firm No: F-23130

REVISIONS			
REV	DESCRIPTION	DATE	APPROVED
A	REVISED PER NEW CODE	12/14/2021	R.L.



**VERTICAL CROSS SECTION**  
METAL STRUCTURE INSTALLATION



**JAMB INSTALLATION DETAIL**  
METAL STRUCTURE INSTALLATION

- NOTES:**
1. INTERIOR AND EXTERIOR FINISHES, BY OTHERS, NOT SHOWN FOR CLARITY.
  2. PERIMETER AND JOINT SEALANT BY OTHERS TO BE DESIGNED IN ACCORDANCE WITH ASTM E2112

SIGNED: 02/02/2022

**SHOWCASE CUSTOM WINDOWS & DOORS**  
12613 CITYPARK DRIVE, SUITE 100  
MISSOURI CITY, TX 77489

MODEL 143.191 VINYL AWNING WINDOW NC/REP  
IMPACT 53 1/8" X 39"  
INSTALLATION DETAILS

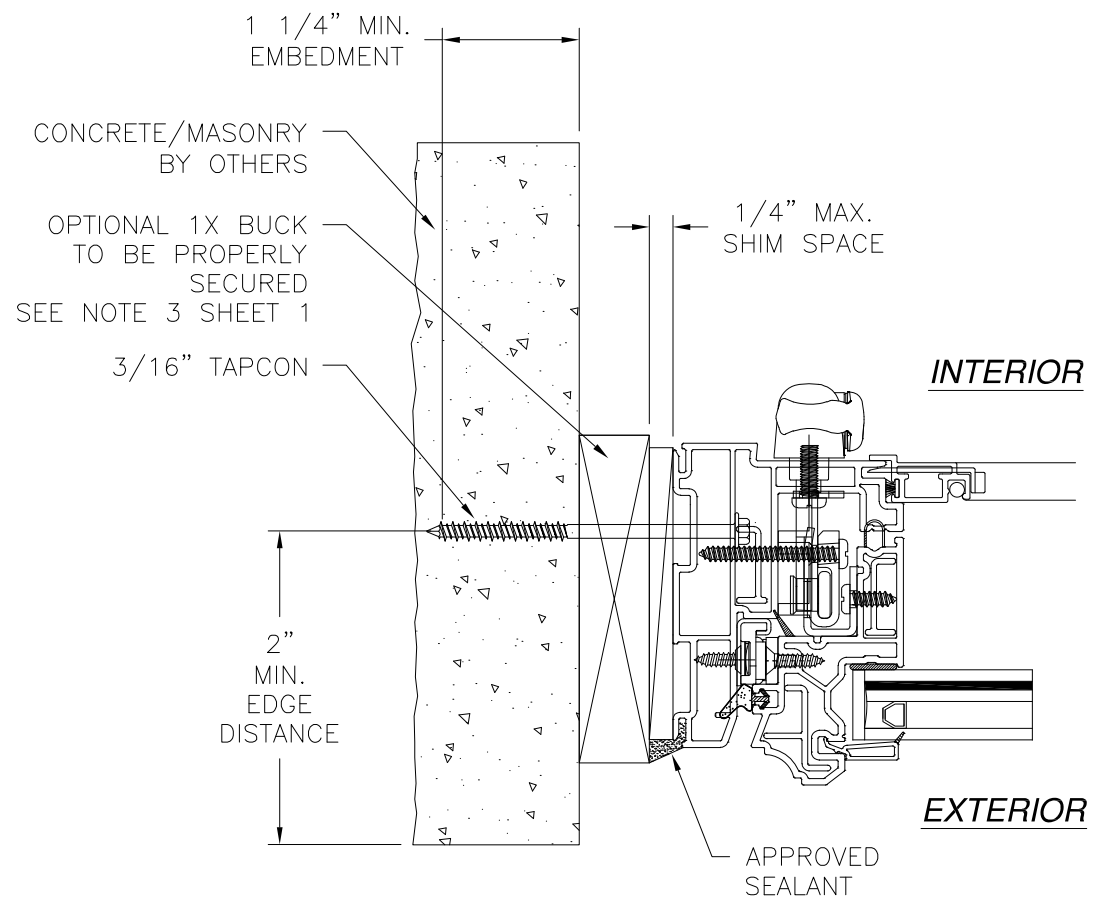
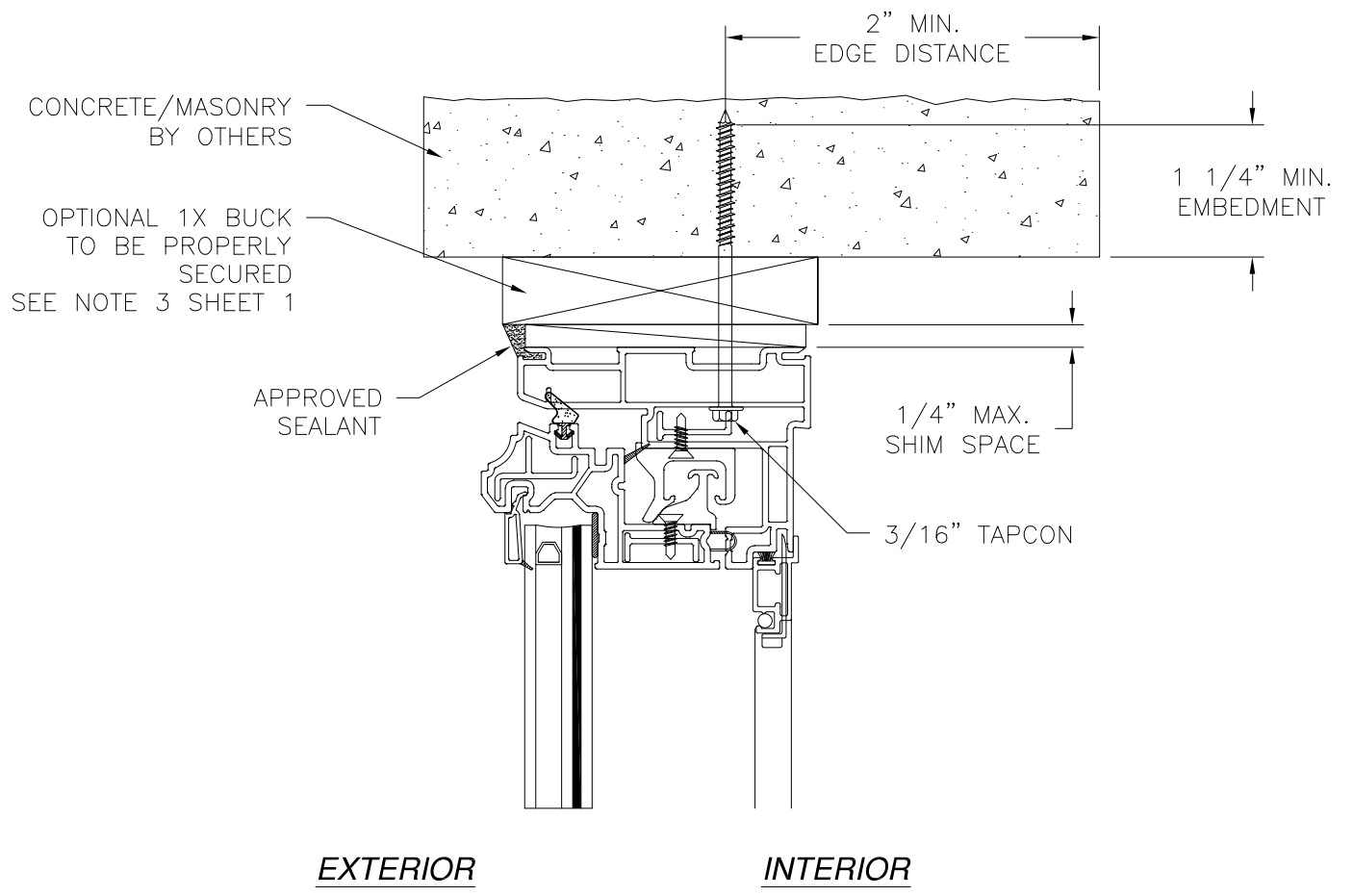
DRAWN: A.R.	DWG NO. 08-03104	REV A
SCALE NTS	DATE 05/01/17	SHEET 4 OF 7

L. ROBERTO LOMAS P.E.  
1432 WOODFORD RD LEWISVILLE, NC 27023  
434-688-0609 rllomas@rlomaspe.com

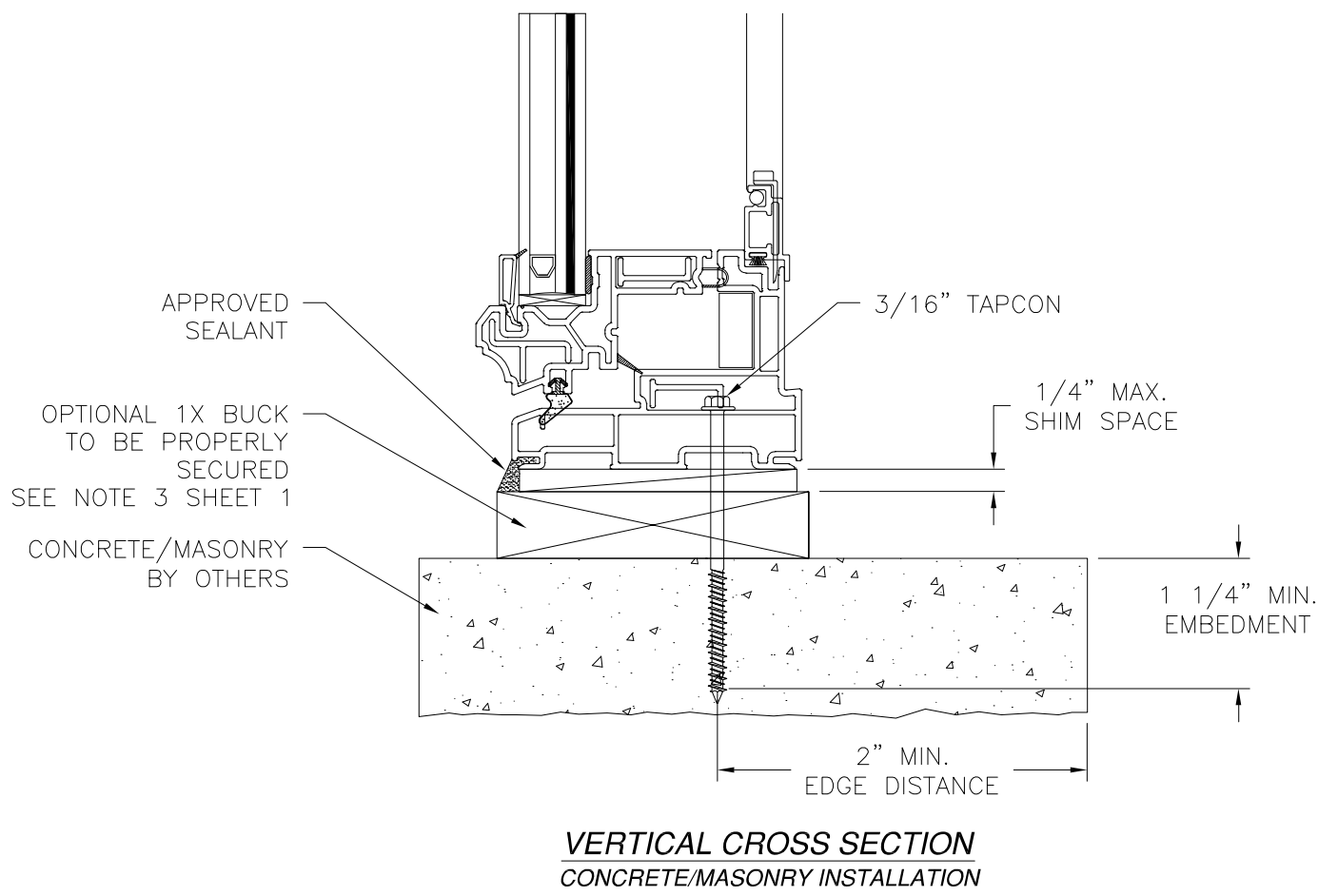


Luis R. Lomas P.E.  
TX No.: 101889  
Firm No: F-23130

REVISIONS			
REV	DESCRIPTION	DATE	APPROVED
A	REVISED PER NEW CODE	12/14/2021	R.L.



**JAMB INSTALLATION DETAIL**  
CONCRETE/MASONRY INSTALLATION



**VERTICAL CROSS SECTION**  
CONCRETE/MASONRY INSTALLATION

- NOTES:**
1. INTERIOR AND EXTERIOR FINISHES, BY OTHERS, NOT SHOWN FOR CLARITY.
  2. PERIMETER AND JOINT SEALANT BY OTHERS TO BE DESIGNED IN ACCORDANCE WITH ASTM E2112

SIGNED: 02/02/2022

**SHOWCASE CUSTOM WINDOWS & DOORS**  
12613 CITYPARK DRIVE, SUITE 100  
MISSOURI CITY, TX 77489

MODEL 143.191 VINYL AWNING WINDOW NC/REP  
IMPACT 53 1/8" X 39"  
INSTALLATION DETAILS

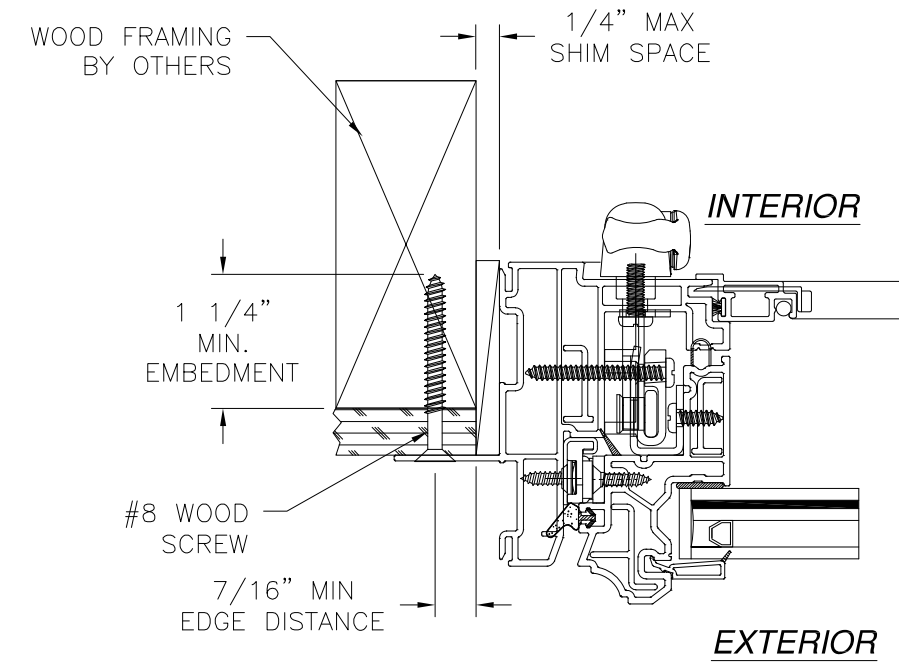
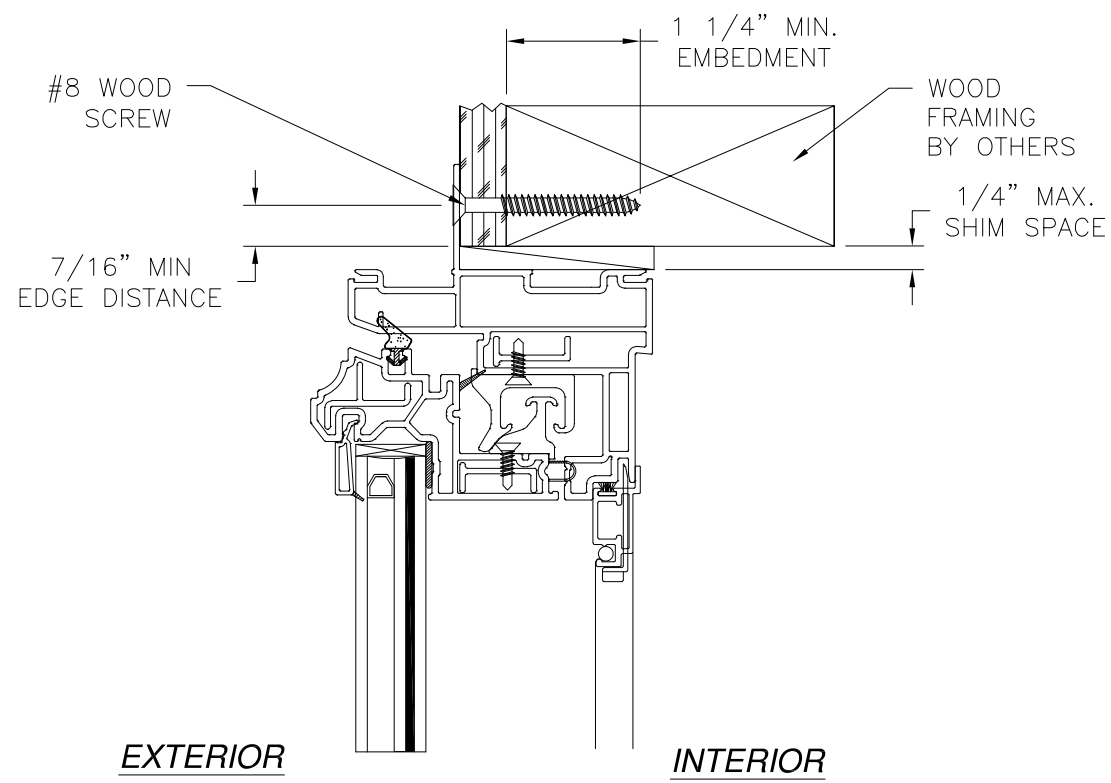
DRAWN: A.R.	DWG NO. 08-03104	REV A
SCALE NTS	DATE 05/01/17	SHEET 5 OF 7

L. ROBERTO LOMAS P.E.  
1432 WOODFORD RD LEWISVILLE, NC 27023  
434-688-0609 rllomas@rlomaspe.com

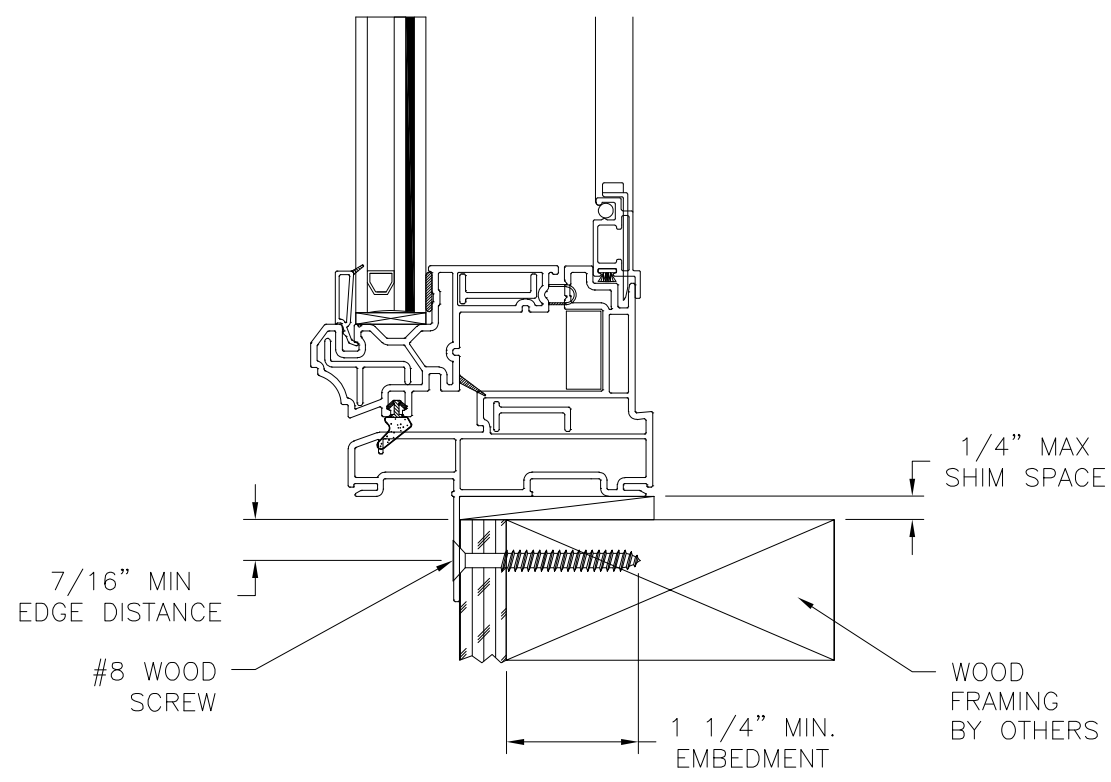


Luis R. Lomas P.E.  
TX No.: 101889  
Firm No: F-23130

REVISIONS			
REV	DESCRIPTION	DATE	APPROVED
A	REVISED PER NEW CODE	12/14/2021	R.L.



**JAMB INSTALLATION DETAIL**  
WOOD FRAMING OR 2X BUCK INSTALLATION



**VERTICAL CROSS SECTION**  
WOOD FRAMING OR 2X BUCK INSTALLATION

- NOTES:**
1. INTERIOR AND EXTERIOR FINISHES, BY OTHERS, NOT SHOWN FOR CLARITY.
  2. PERIMETER AND JOINT SEALANT BY OTHERS TO BE DESIGNED IN ACCORDANCE WITH ASTM E2112

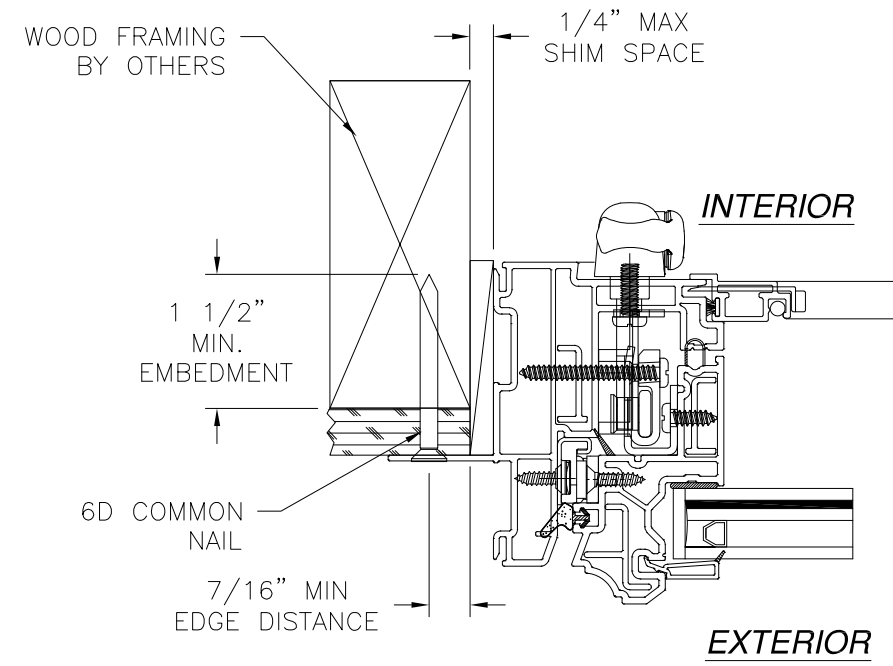
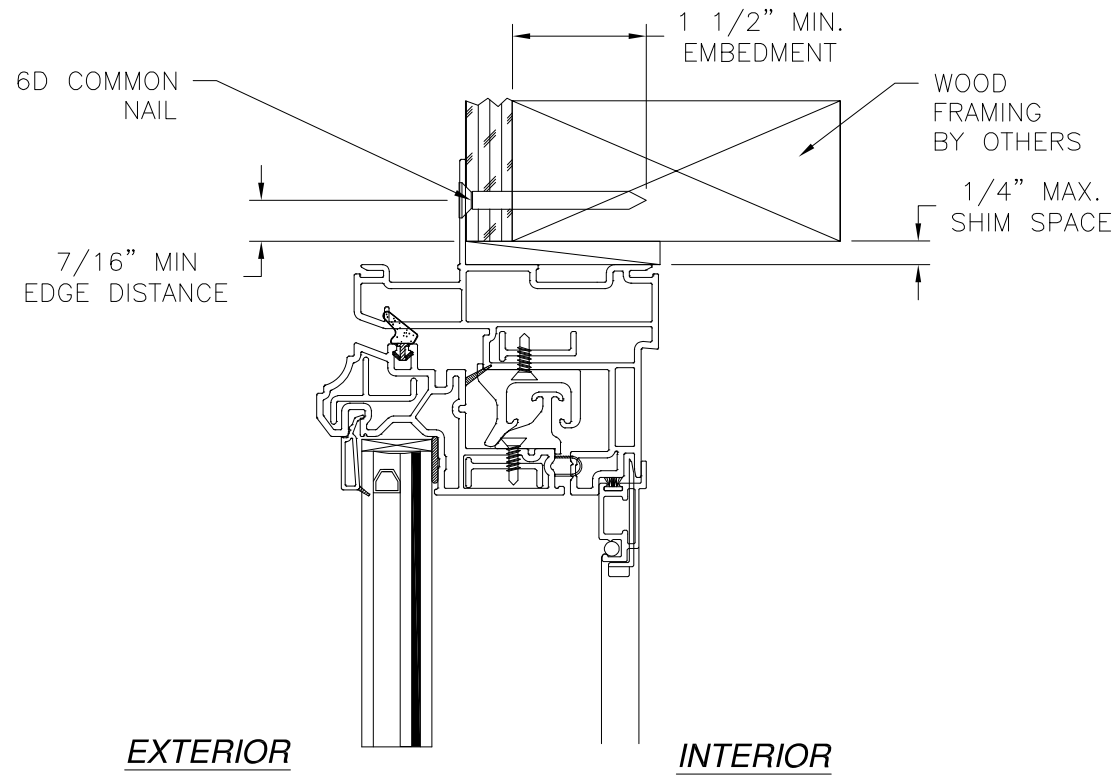
SIGNED: 02/02/2022

<b>SHOWCASE CUSTOM WINDOWS &amp; DOORS</b> 12613 CITYPARK DRIVE, SUITE 100 MISSOURI CITY, TX 77489		
MODEL 143.191 VINYL AWNING WINDOW NC/REP IMPACT 53 1/8" X 39" INSTALLATION DETAILS		
DRAWN: A.R.	DWG NO. 08-03104	REV A
SCALE NTS	DATE 05/01/17	SHEET 6 OF 7
L. ROBERTO LOMAS P.E. 1432 WOODFORD RD LEWISVILLE, NC 27023 434-688-0609 rllomas@lrlomaspe.com		

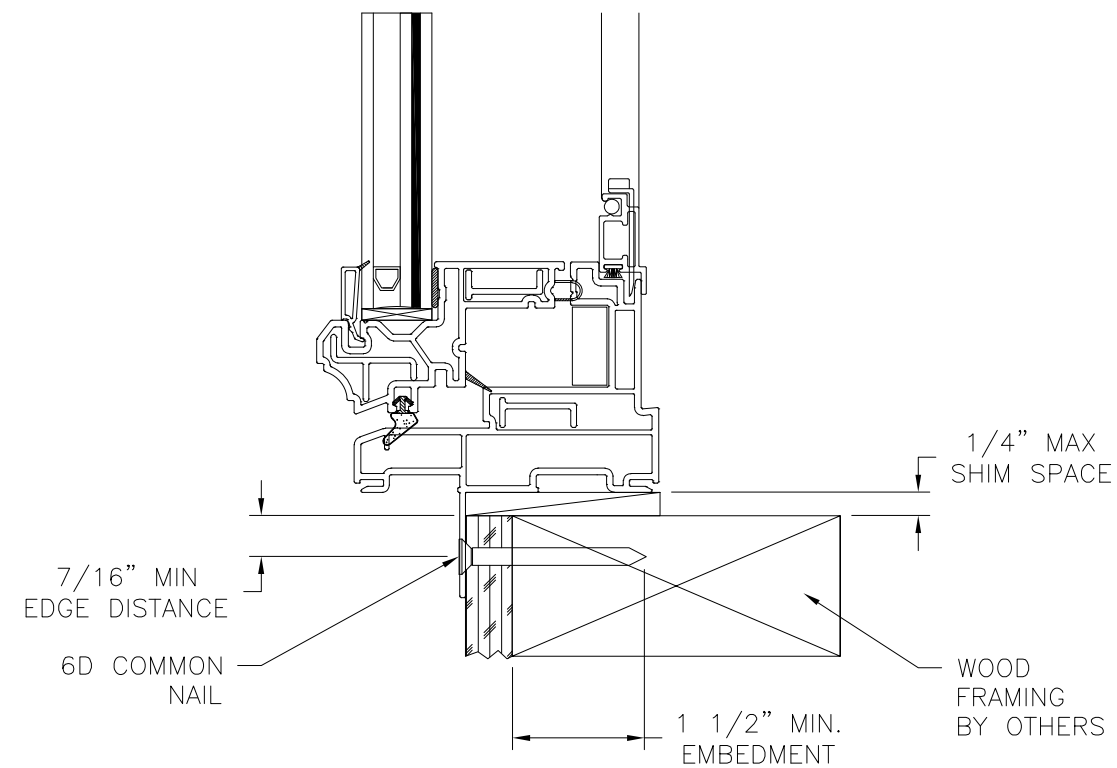


Luis R. Lomas P.E.  
TX No.: 101889  
Firm No: F-23130

REVISIONS			
REV	DESCRIPTION	DATE	APPROVED
A	REVISED PER NEW CODE	12/14/2021	R.L.



**JAMB INSTALLATION DETAIL**  
WOOD FRAMING OR 2X BUCK INSTALLATION



**VERTICAL CROSS SECTION**  
WOOD FRAMING OR 2X BUCK INSTALLATION

**NOTES:**

1. INTERIOR AND EXTERIOR FINISHES, BY OTHERS, NOT SHOWN FOR CLARITY.
2. PERIMETER AND JOINT SEALANT BY OTHERS TO BE DESIGNED IN ACCORDANCE WITH ASTM E2112

SIGNED: 02/02/2022

<b>SHOWCASE CUSTOM WINDOWS &amp; DOORS</b> 12613 CITYPARK DRIVE, SUITE 100 MISSOURI CITY, TX 77489		
MODEL 143.191 VINYL AWNING WINDOW NC/REP IMPACT 53 1/8" X 39" INSTALLATION DETAILS		
DRAWN: A.R.	DWG NO. 08-03104	REV A
SCALE NTS	DATE 05/01/17	SHEET 7 OF 7
L. ROBERTO LOMAS P.E. 1432 WOODFORD RD LEWISVILLE, NC 27023 434-688-0609 rllomas@lrlomaspe.com		



Luis R. Lomas P.E.  
TX No.: 101889  
Firm No: F-23130