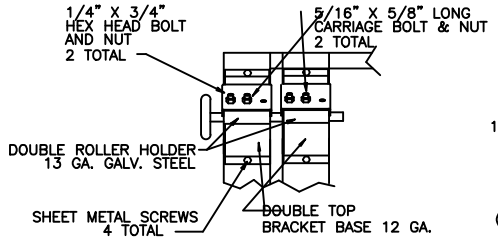
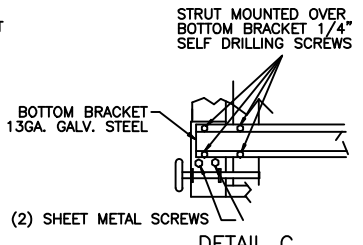


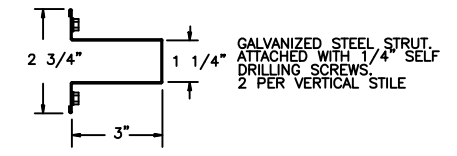
DETAIL F (ALTERNATE)



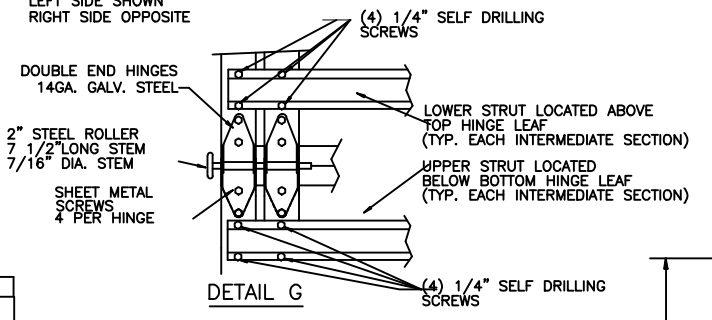
DETAIL F



DETAIL C



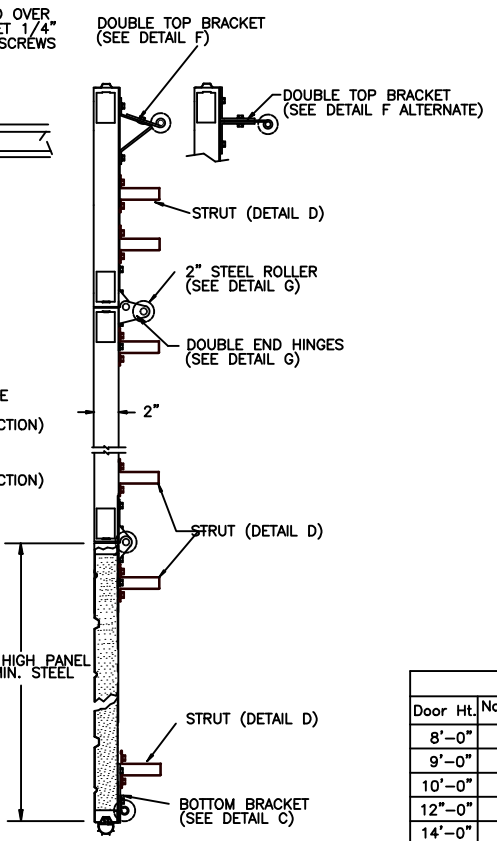
DETAIL D



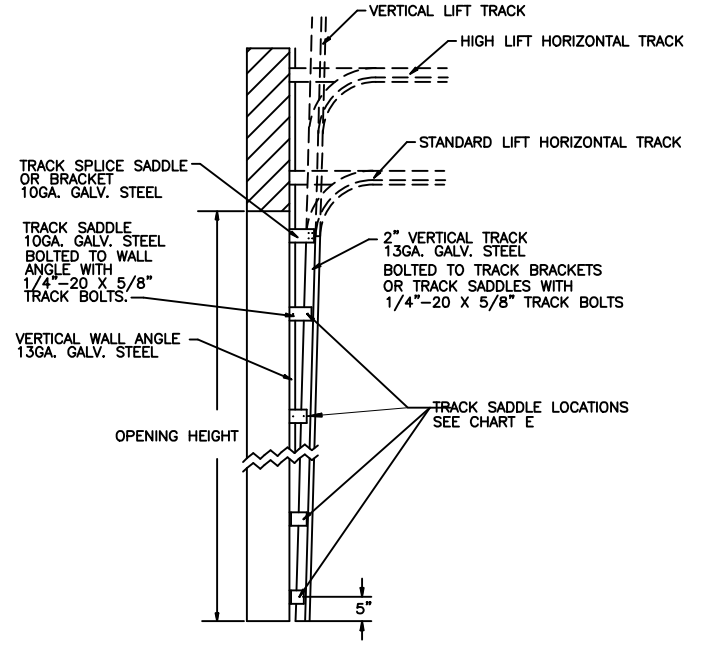
DETAIL G

| STRUTTING SCHEDULE | |
|--------------------|---|
| BOTTOM SECTION: | 2 STRUTS (1) Over Bottom Bracket "DETAIL C" (1) Below Hinge "DETAIL G" |
| INTERM. SECTION: | 2 STRUTS (1) Above Hinge "DETAIL G" (1) Below Hinge "DETAIL G" |
| TOP SECTION: | 2 STRUTS (1) Above Hinge "DETAIL G" (1) Below Top Roller Carrier |

NOTE: UNLESS SPECIFIED OTHERWISE, ALL FASTENERS ARE 1/4"-14 X 3/4" HEX HEAD SHEET METAL SCREWS OR 1/4" X 3/4" HEX HEAD SELF DRILLING SCREWS.

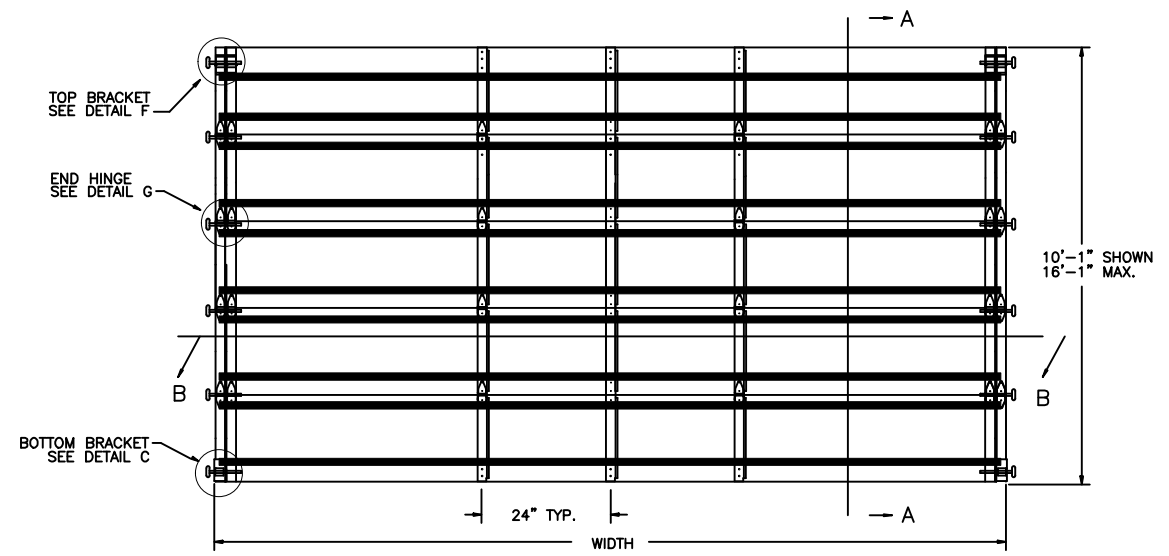


SECTION A-A



| CHART E | | |
|----------|----------------------|---|
| Door Ht. | No. of Track Saddles | TRACK SADDLE LOCATIONS |
| 8'-0" | 8 | 5",17",29",41",53",65",77" |
| 9'-0" | 9 | 5",17",29",41",53",65",77",89" |
| 10'-0" | 10 | 5",17",29",41",53",65",77",89",101" |
| 12'-0" | 12 | 5",17",29",41",53",65",77",89",101",113",125" |
| 14'-0" | 14 | 5",17",29",41",53",65",77",89",101",113",125",137",149" |
| 16'-0" | 16 | 5",17",29",41",53",65",77",89",101",113",125",137",149",161",173" |

NOTE: Anchor bolts are located 3/4" above centerline of track saddle. One anchor bolt per track saddle.



| DOOR SIZE | | | | P.S.F. TABLE | |
|-----------|--------|--------------------|---------------|--------------------------|--------------------------|
| WIDTH | HEIGHT | NO. OF CEN. STILES | STILE SPACING | DESIGN PRESSURE POSITIVE | DESIGN PRESSURE NEGATIVE |
| 12'-2" | 16'-1" | 3 | 24" | +38.3 | -43.0 |

COMPLIES WITH THE WINDLOAD REQUIREMENTS OF THE IBC/IRC 2018.

PRESSURES TABULATED ARE BASED ON TESTS OF MODEL 240 (24ga. Panel) MODEL 200 (20ga. Panel) WILL WITHSTAND EQUAL OR HIGHER PRESSURES

DOORS SHOWN ON THIS DRAWING HAVE BEEN DEMONSTRATED TO WITHSTAND THE PRESSURES LISTED IN THE TABLE ABOVE VIA TESTING TO ANSI/DASMA 108-05/12/17.

DETERMINATION OF SUITABILITY FOR SPECIFIC SITES IS THE RESPONSIBILITY OF OTHERS.

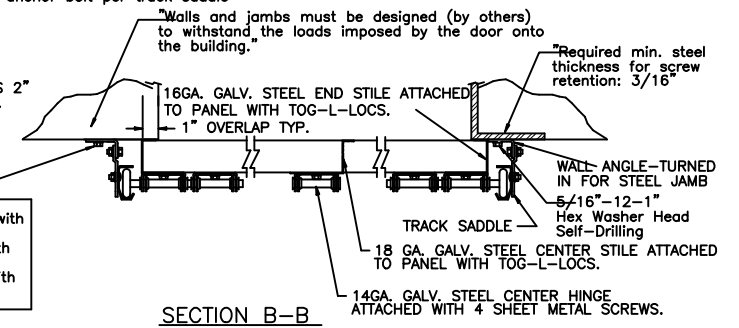
John E. Scates PE
2560 King Arthur Blvd #124-54
Lewisville, TX 75056
TX-PE 56308, F-2203
FL-PE-51737

Professional Engineer's seal provided only for verification of windload construction details.

| REV. | DATE | CHANGE |
|------|----------|---------------------|
| D | 6/03/20 | PE ADDRESS |
| C | 12/15/11 | NEW LOGO/ENG. STAMP |
| B | 08/20/09 | |
| A | 07/09/09 | |

NOTE: OPENING WIDTH IS 2" LESS THAN DOOR WIDTH.

FOR CONCRETE WALLS (Angle OUT Track)
ITW Buildex "Carbon Steel Tapcon XL", 5/16" with 1.75" embed min. (3000psi concrete)
Powers Fasteners "Lok/Bolt" anchor, 5/16" with 1.75" embed min. (2000psi concrete)
Power Fasteners "Power Stud" anchor, 3/8" with 1.63" embed min. (2000psi concrete)



SECTION B-B

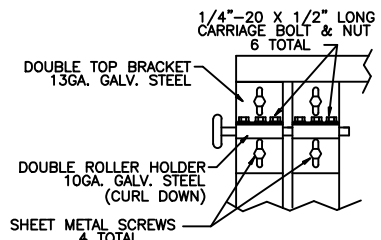


5800 SCOTT HAMILTON DR.
LITTLE ROCK, AR 72209
(501) 562-1872

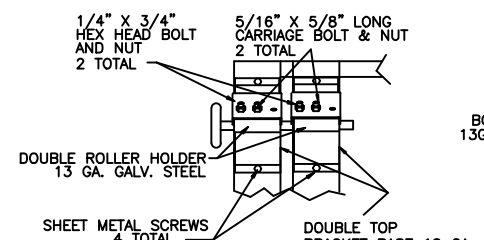
MODELS: MODEL 240(24GA.)/200(20GA.) DOUBLE STRUTS

PART NAME: 12'-2" x 16'-1" DESIGN LOAD +38.3 -43.0

| TOLERANCE | FRAC. ± 1/64 DEC. ± .015 ANG. ± 1° | SCALE | PLOT SCALE | DRN. BY | DWG. NO. | SHT |
|-----------|------------------------------------|-------|------------|---------|----------|--------|
| | | NONE | | BNB | 99-B-093 | 1 OF 2 |

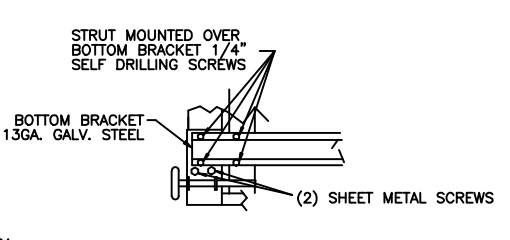


DETAIL F (ALTERNATE)



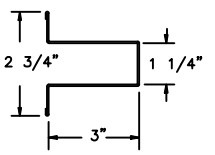
DETAIL F

LEFT SIDE SHOWN
RIGHT SIDE OPPOSITE



DETAIL C

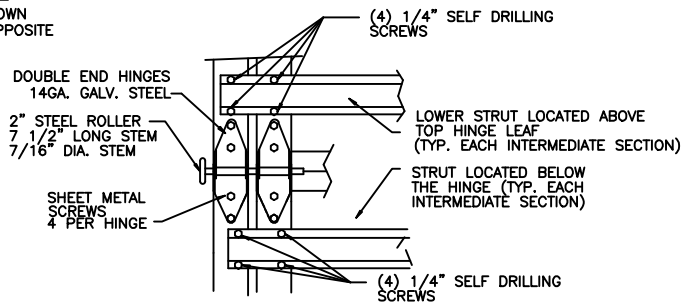
GALVANIZED STEEL STRUT,
ATTACHED WITH 1/4" SELF
DRILLING SCREWS,
2 PER VERTICAL STILE



DETAIL D

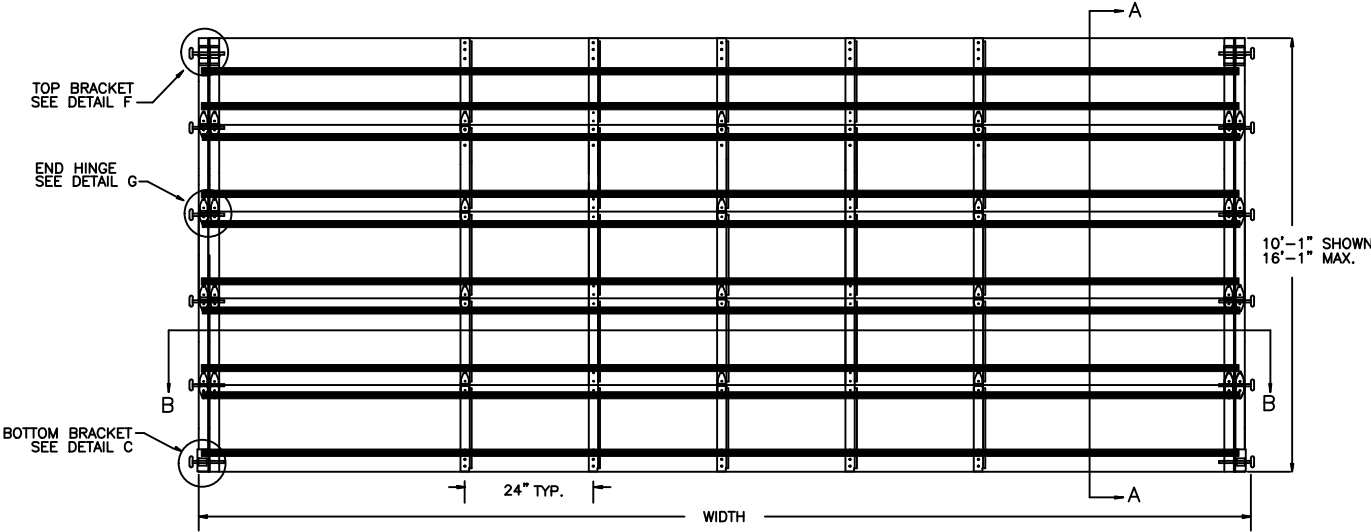
3" 18GA. (0.044") WIDE STRUT

NOTE: UNLESS SPECIFIED OTHERWISE
ALL FASTENERS ARE 1/4"-14 X 3/4"
HEX HEAD SHEET METAL SCREWS
OR 1/4" X 3/4" HEX HEAD SELF
DRILLING SCREWS.



DETAIL G

| STRUTTING SCHEDULE | |
|--------------------|---|
| BOTTOM SECTION: | 2 STRUTS (1) Over Bottom Bracket "DETAIL C" |
| | (1) Below Hinge "DETAIL G" |
| INTERM. SECTION: | 2 STRUTS (1) Above Hinge "DETAIL G" |
| | (1) Below Hinge "DETAIL G" |
| TOP SECTION: | 2 STRUTS (1) Above Hinge "DETAIL G" |
| | (1) Below Top Roller Carrier |



SECTION A-A

24" MAX. HIGH PANEL
24GA. MIN. STEEL

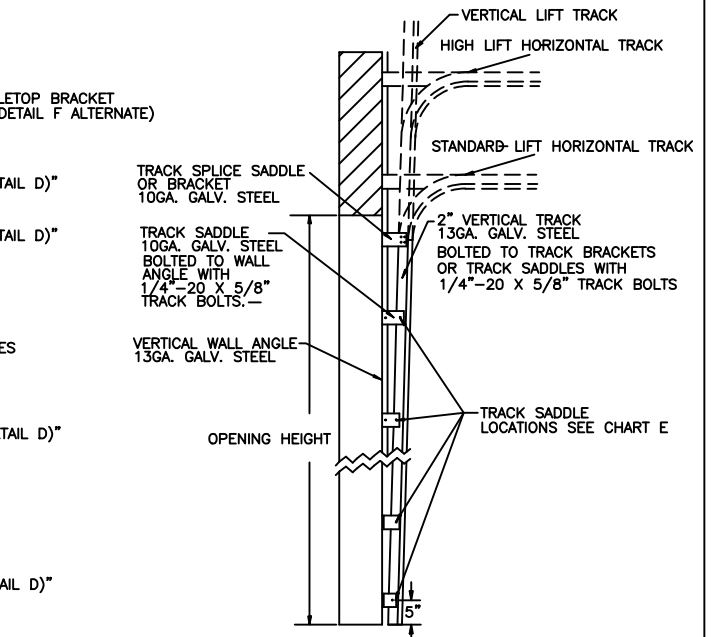
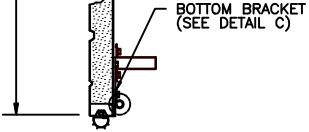


CHART E

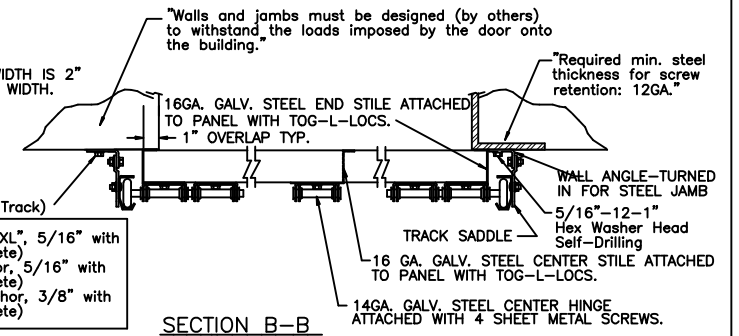
| Door Ht. | TRACK BRACKETS | TRACK SADDLE LOCATIONS |
|----------|----------------|---|
| 8'-0" | 8 | 5",17",29",41",53",65",77" |
| 9'-0" | 9 | 5",17",29",41",53",65",77",89" |
| 10'-0" | 10 | 5",17",29",41",53",65",77",89",101" |
| 12'-0" | 12 | 5",17",29",41",53",65",77",89",101",113",125" |
| 14'-0" | 14 | 5",17",29",41",53",65",77",89",101",113",125",137",149" |
| 16'-0" | 16 | 5",17",29",41",53",65",77",89",101",113",125",137",149",161",173" |

NOTE: Anchor bolts are located 3/4" above centerline of track saddle.
One anchor bolt per track saddle

NOTE: OPENING WIDTH IS 2"
LESS THAN DOOR WIDTH.

FOR CONCRETE WALLS (Angle OUT Track)

ITW Buildex "Carbon Steel Tapcon XL", 5/16" with 1.75" embed min. (3000psi concrete)
Powers Fasteners "Lok/Bolt" anchor, 5/16" with 1.75" embed min. (2000psi concrete)
Power Fasteners "Power Stud" anchor, 3/8" with 1.63" embed min. (2000psi concrete)



SECTION B-B

| | | | | P.S.F. TABLE | |
|-----------|--------|-------------|-----------------|--------------|----------|
| DOOR SIZE | NO. OF | STILE | DESIGN PRESSURE | POSITIVE | NEGATIVE |
| WIDTH | HEIGHT | CEN. STILES | SPACING | | |
| 14'-2" | 16'-1" | 5 | 24" | +29.8 | -33.3 |
| 16'-2" | 16'-1" | 5 | 24" | +26.1 | -29.1 |

PRESSURES TABULATED ARE BASED ON TESTS OF MODEL 240 (24ga. Panel)
MODEL 200 (20ga. Panel) WILL WITHSTAND EQUAL OR HIGHER PRESSURES

DOORS SHOWN ON THIS DRAWING HAVE BEEN DEMONSTRATED TO WITHSTAND THE PRESSURES LISTED IN THE TABLE ABOVE VIA TESTING TO ANSI/DASMA 108-05/12/17.

DETERMINATION OF SUITABILITY FOR SPECIFIC SITES IS THE RESPONSIBILITY OF OTHERS.

John E. Scates PE
2560 King Arthur Blvd #124-54
Lewisville, TX 75056
TX-PE 56308, F-2203
FL-PE-51737

Professional Engineer's seal
provided only for verification of
windload construction details.

| REV. | DATE | CHANGE |
|------|----------|---------------------|
| D | 6/03/20 | PE ADDRESS |
| B | 12/15/11 | NEW LOGO/ENG. STAMP |
| A | 07/09/09 | |

COMPLIES WITH THE WINDLOAD REQUIREMENTS OF THE IBC/IRC 2018.

5800 SCOTT HAMILTON DR.
LITTLE ROCK, AR 72209
(501) 562-1872

MODELS: MODEL 240(24GA.)/200(20GA.)
DOUBLE STRUTS

PART NAME: 16'-2" x 16'-1"
DESIGN LOAD +26.1 -29.1

| TOLERANCE | FRAC. ± 1/64" DEC. ± .015 ANG. ± 1° | SCALE | PLOT SCALE | DRN. BY | BIB | DWG. NO. | SHT 2 OF 2 |
|-----------|-------------------------------------|-------|------------|---------|-----|----------|------------|
| | | NONE | | | | 99-B-093 | |