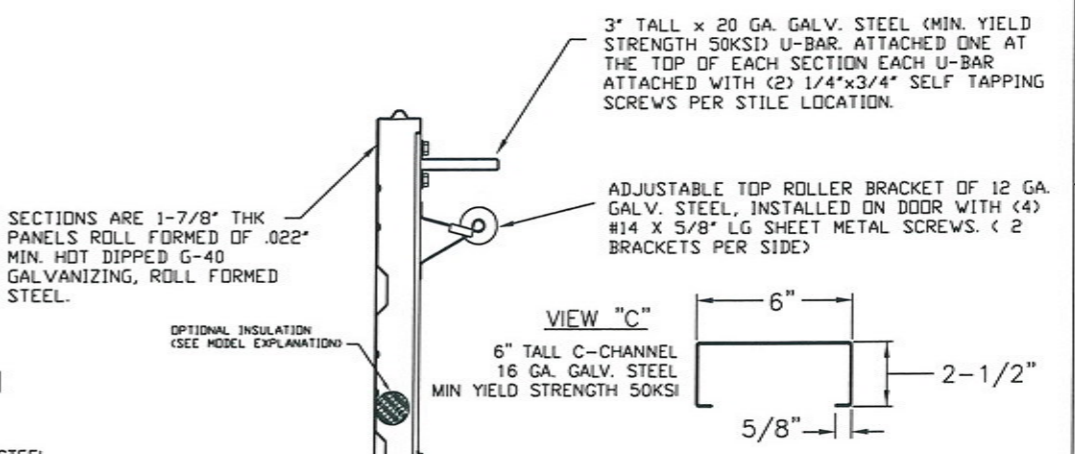
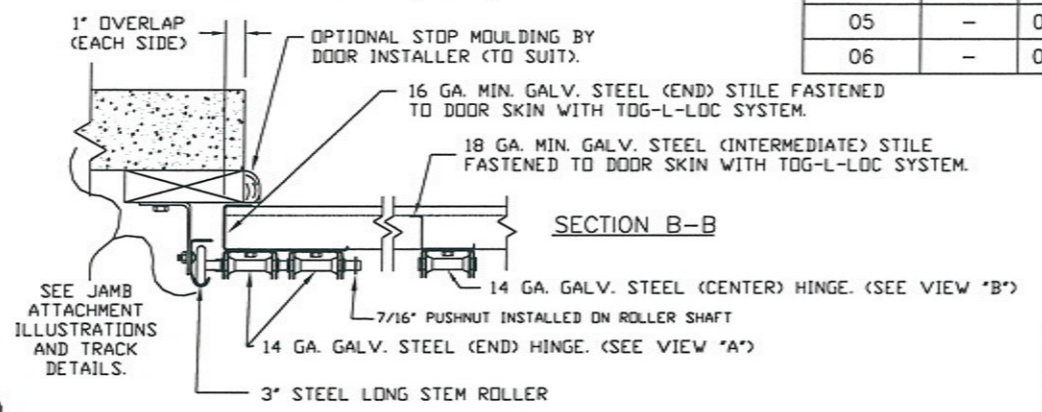
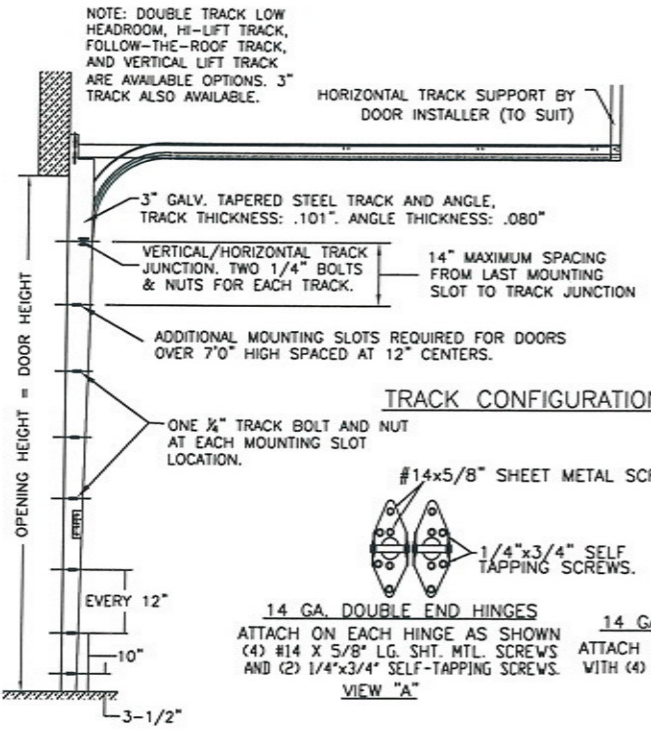


UP TO 22'-2" WIDE X 18'-0" HIGH

MODELS AVAILABLE (CLOPAY/ HOLMES/ IDEAL)
 MODELS 524, 520/ 224/ C4ST, C0ST
 INSULATED MODELS 524S, 520S, 524V/ 224S/ C4SS, COSS, C4SV

REVISIONS					
REV. NO.	ZONE:	DATE:	ECN NO.	APPVD:	DESCRIPTION
03	-	02/2012	-	-	UPDATED WINDCODE CHART
04	-	08/2012	-	-	REVISED FOR TDI
05	-	06/2013	-	-	REMOVED ACRYLIC GLAZING OPTION.
06	-	08/2016	-	-	REMOVED WIND SPEED TABLE.



TRACK CONFIGURATION

ONE 1/4" TRACK BOLT AND NUT AT EACH MOUNTING SLOT LOCATION.

ADDITIONAL MOUNTING SLOTS REQUIRED FOR DOORS OVER 7'0" HIGH SPACED AT 12" CENTERS.

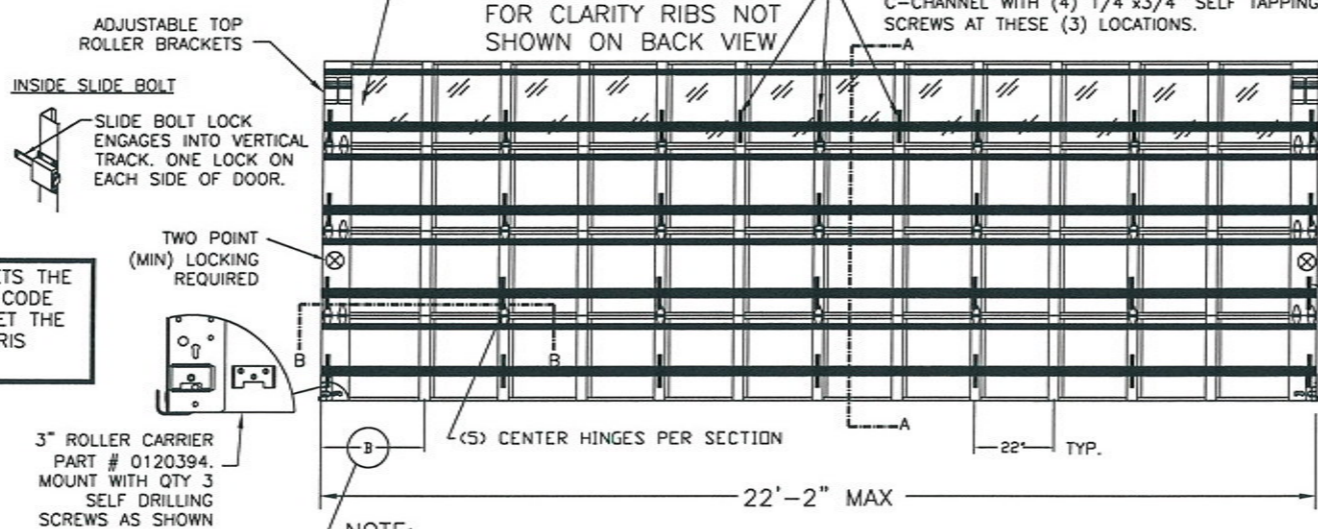
EVERY 12"

3-1/2"

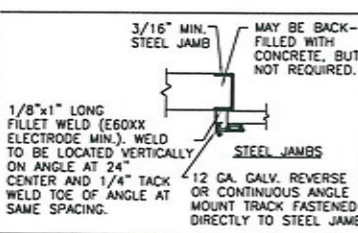
DOOR HEIGHT 'A'	NUMBER OF SECTIONS
8'-0"	4
8'-3" THRU 10'-0"	5
10'-3" THRU 12'-0"	6
12'-3" THRU 14'-0"	7
14'-3" THRU 16'-0"	8
16'-3" THRU 18'-0"	9

MAX. SECTION HEIGHT: 24"

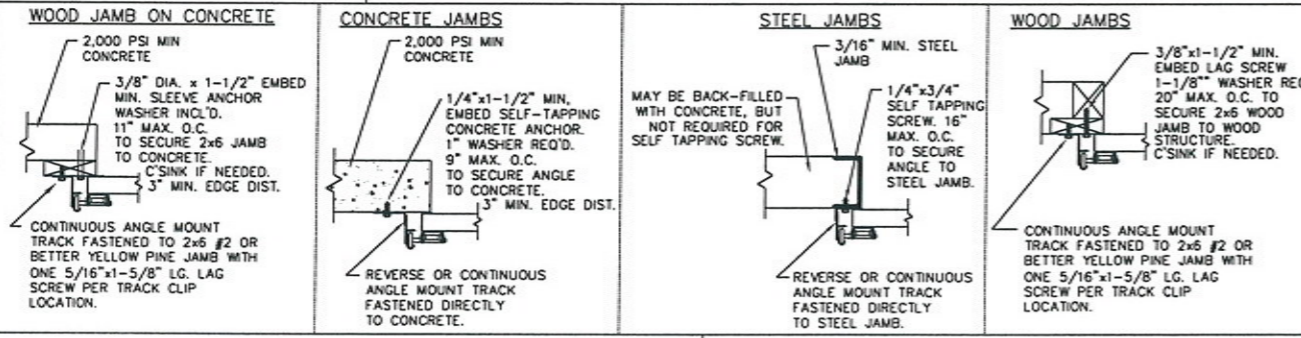
DOOR HEIGHT "L"	"L"
8'-0"	88"
9'-0"	100"
10'-0"	112"
12'-0"	136"
14'-0"	160"
15'-0"	172"
16'-0"	184"
17'-0"	196"
18'-0"	208"



THE OPTIONAL GLAZING SHOWN ON THIS DRAWING MEETS THE WIND LOAD REQUIREMENTS OF THE FLORIDA BUILDING CODE OR INTERNATIONAL BUILDING CODE BUT DOES NOT MEET THE IMPACT RESISTANT REQUIREMENT FOR WINDBORNE DEBRIS REGIONS (FBC / IBC CHAPTER 16).



ANCHOR NOTE: FIRST (BOTTOM) ANCHOR STARTING AT NO MORE THAN HALF OF THE MAXIMUM ON-CENTER DISTANCE. HIGHEST ANCHOR INSTALLED AT LEAST AS HIGH AS THE DOOR OPENING.



MARK WESTERFIELD, P.E.
 FLORIDA P.E. No. 48495,
 NC P.E. #23832, TEXAS P.E. #91513

THE DESIGN OF THE SUPPORTING STRUCTURAL ELEMENTS IS THE RESPONSIBILITY OF THE BUILDING ENGINEER OR ARCHITECT OF RECORD.

CLOPAY CORP.
 ALL RIGHTS RESERVED.

Unless Stated Otherwise TOLERANCES are
 .00 = ±.015
 .000 = ±.005
 .0000 = ±.001
 Degrees ± 1/2"

Clopay
 Building Products Company

8585 Duke Boulevard
 Mason, OH 45040 USA
 Tel. No. 513-770-4800
 Fax No. 513-770-4853

MANUFACTURING PRODUCT CODE:
MPC: C-PAN-1E448

CLOPAY WINDLOAD RATING
W5

DESIGN LOADS: +30 & -30 P.S.F. TEST LOADS: +45 & -45 P.S.F.		DESCRIPTION: COMMERCIAL RIBBED DOOR, +30/-30 PSF DESIGN LOAD	
DRAWN BY: RJK	DATE: 11/02/04	SCALE: NONE	DWG. SIZE: B
CHECKED BY: MWW	DATE: -	SHEET 1 OF 1	VER: TDI
DWG. NO.: 103319			