

MAX 20'-2" WIDE X 18'-0" HIGH

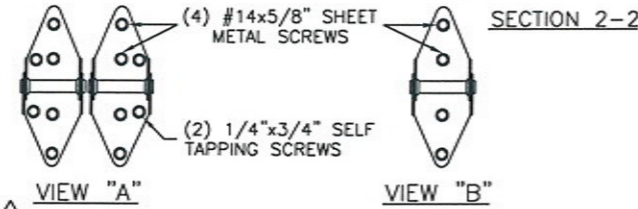
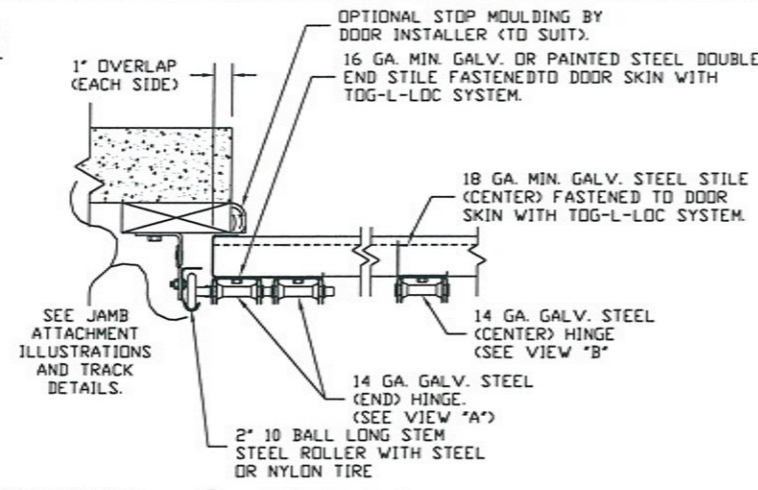
MODELS AVAILABLE (CLOPAY/ HOLMES/ IDEAL)  
 MODELS 524, 520/ 224/ C4ST, COST  
 INSULATED MODELS 524S, 520S, 524V/ 224S/ C4SS, COSS, C4SV

DOOR HEIGHT 'A'	NUMBER OF SECTIONS
UP TO 8'-0"	4
8'-3" THRU 10'-0"	5
10'-3" THRU 12'-0"	6
12'-3" THRU 14'-0"	7
14'-3" THRU 16'-0"	8
16'-3" THRU 18'-0"	9

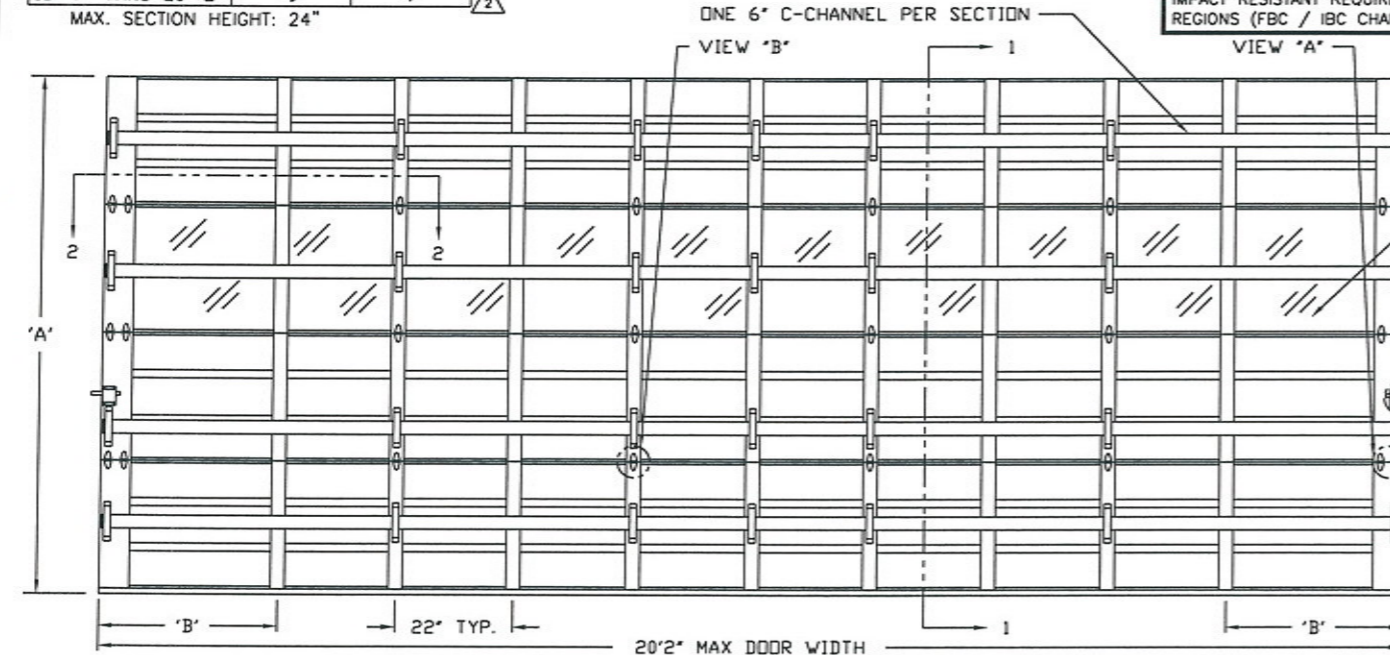
  

DOOR WIDTH	NUMBER OF CENTER STILES	NUMBER OF C-CHANNEL STRAPS
16'-3" THRU 16'-6"	7	6
16'-7" THRU 20'-2"	9	7

MAX. SECTION HEIGHT: 24"

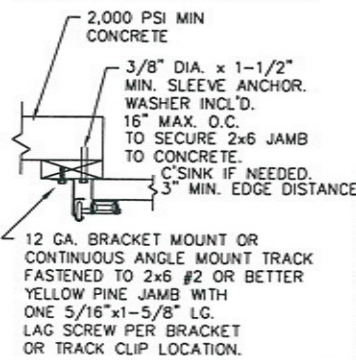


THE OPTIONAL GLAZING SHOWN ON THIS DRAWING MEETS THE WIND LOAD REQUIREMENTS OF THE FLORIDA BUILDING CODE OR INTERNATIONAL BUILDING CODE BUT DOES NOT MEET THE IMPACT RESISTANT REQUIREMENT FOR WINDBORNE DEBRIS REGIONS (FBC / IBC CHAPTER 16).

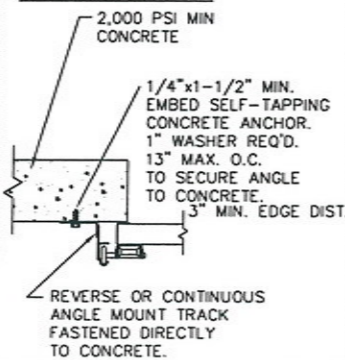


ANCHOR NOTE: FIRST (BOTTOM) ANCHOR STARTING AT NO MORE THAN HALF OF THE MAXIMUM ON-CENTER DISTANCE. HIGHEST ANCHOR INSTALLED AT LEAST AS HIGH AS THE DOOR OPENING.

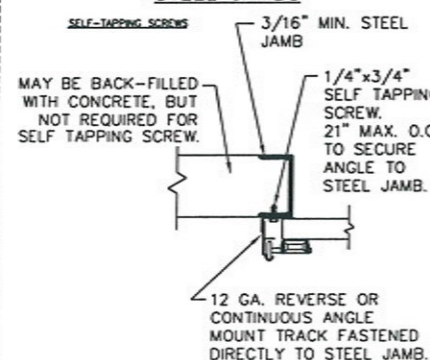
WOOD JAMB ON CONCRETE



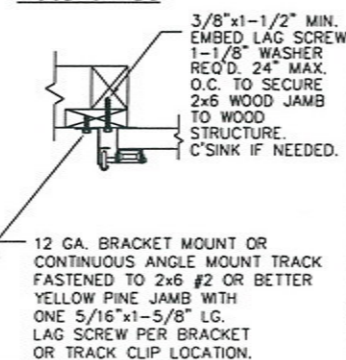
CONCRETE JAMBS



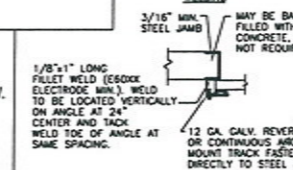
STEEL JAMBS



WOOD JAMBS

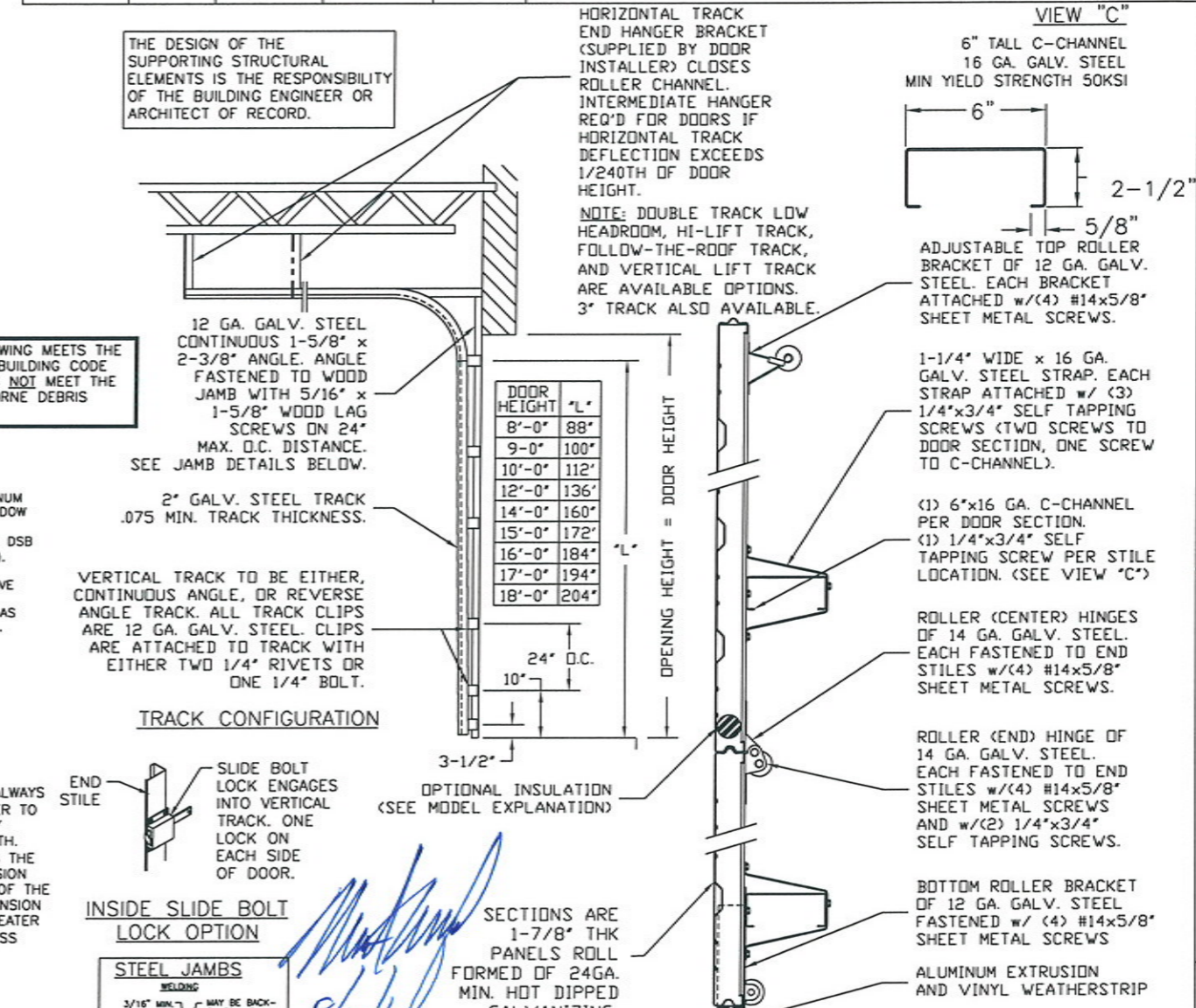


STEEL JAMBS



CLOPAY CORP. ALL RIGHTS RESERVED.  
 Third Angle Projection

REVISIONS					
REV. NO.	ZONE:	DATE:	ECN NO.	APPVD:	DESCRIPTION
08	-	11/2008	-	-	ADDED MPC, FULL-VISION OPTION.
09	-	02/2012	-	-	UPDATED WINDCODE CHART
10	-	08/2012	-	-	REVISED FOR TDI
11	-	06/2013	-	-	REMOVED ACRYLIC/WIRE GLAZING. SPECIFIED GLAZING DIMENSION.
12	-	08/2016	-	-	REMOVED WIND SPEED TABLE.



SECTIONS ARE 1-7/8" THK PANELS ROLL FORMED OF 24GA. MIN. HOT DIPPED GALVANIZING, ROLL FORMED STEEL.  
 MARK WESTERFIELD, P.E. FLORIDA P.E. #48495, NC P.E. #23832, TEXAS P.E. #91513  
 SECTION 1 - 1

DESIGN LOADS: +25 & -25 P.S.F. TEST LOADS +37.5 & -37.5 P.S.F.  
 MANUFACTURING PRODUCT CODE: MPC: C-PAN-1E448  
 CLOPAY WINDLOAD RATING W4

8585 Duke Boulevard Mason, OH 45040 USA Tel. No. 513-770-4800 Fax No. 513-770-4853		CLOPAY WINDLOAD RATING <b>W4</b>	
DESCRIPTION: COMMERCIAL RIBBED DOOR, +/- 25 PSF DESIGN LOAD			
DRAWN BY: JJM CHECKED BY: MWW DWG. NO.: 102126	DATE: 3/28/00 DATE: 3/00	SCALE: NTS SHEET 1 OF 1	DWG. SIZE B
VER: TDI		VER: TDI	

*Mark Westerfield*  
 8/12/16  
 STATE OF TEXAS  
 PROFESSIONAL ENGINEER  
 No. 48495  
 EXPIRES 08/31/2018

Unless Stated Otherwise, TOLERANCES are:  
 .00 = ±.015  
 .080 = ±.005  
 .0000 = ±.001  
 Degrees = ±1/2"  
 Unless Stated Otherwise, DIMENSIONS ARE IN INCHES.