

UP TO 12'-2" WIDE X 18'-0" HIGH (MAX. SIZE)

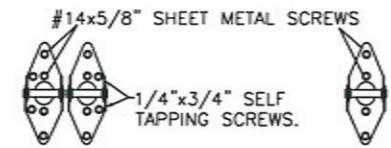
PAGE 1 OF 1

REVISIONS

REV. NO.	ZONE:	DATE:	ECN NO.	APPVD:	DESCRIPTION
08	-	08/2012	-	-	REVISED FOR TDI
09	-	06/2013	-	-	REMOVED GLAZING OPTIONS.
10	-	08/2016	-	-	REMOVED WIND SPEED TABLE.

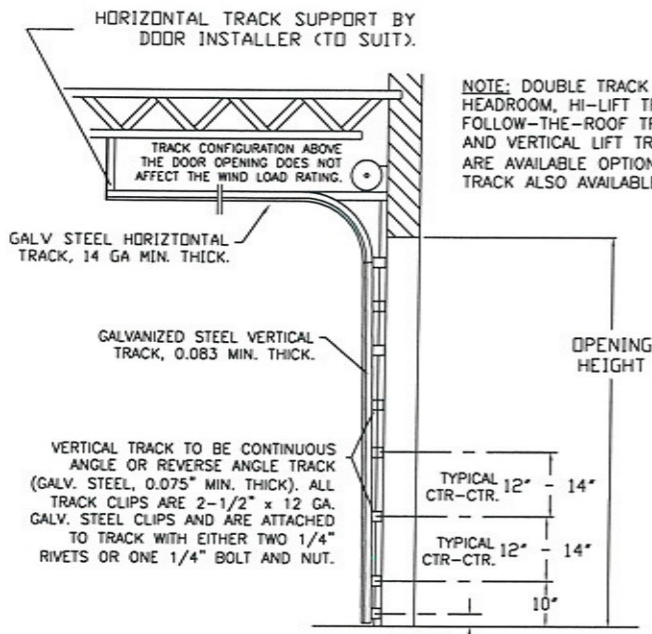
MODELS AVAILABLE

CLOPAY MODEL 3200 (24 GA MIN EXT SKIN WITH MINOR RIBS).
 CLOPAY MODEL 3205 (24 GA MIN EXT SKIN FLUSH).
 CLOPAY MODEL 3220 (20 GA MIN EXT SKIN WITH MINOR RIBS).
 HOLMES MODEL 240, 240G (24 GA MIN EXT SKIN WITH MINOR RIBS).



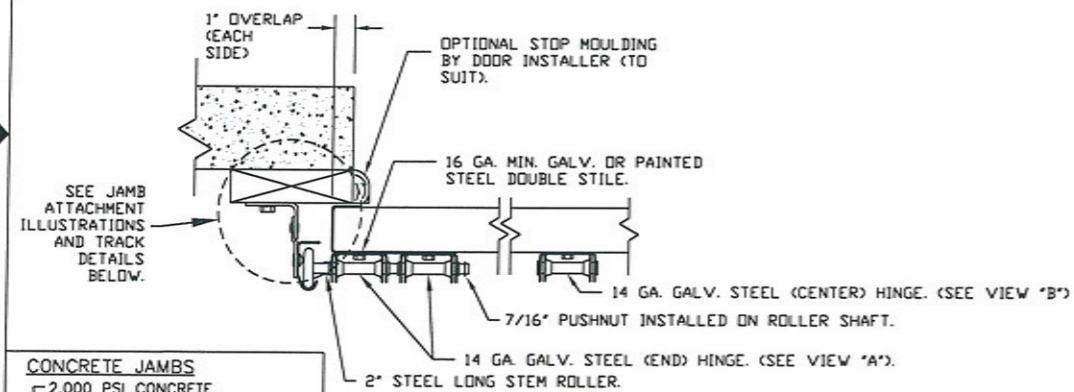
VIEW "A"
 14 GA. DOUBLE END HINGES ATTACH ON EACH HINGE AS SHOWN (4) #14 X 5/8" LG. SHIT. MTL. SCREWS AND (2) 1/4"x3/4" SELF-TAPPING SCREWS.

VIEW "B"
 14 GA. INTERMEDIATE HINGE ATTACH ON EACH HINGE AS SHOWN WITH (4) 1/4" X 5/8" SHEET METAL SCREWS.



STANDARD-LIFT TRACK DETAILS

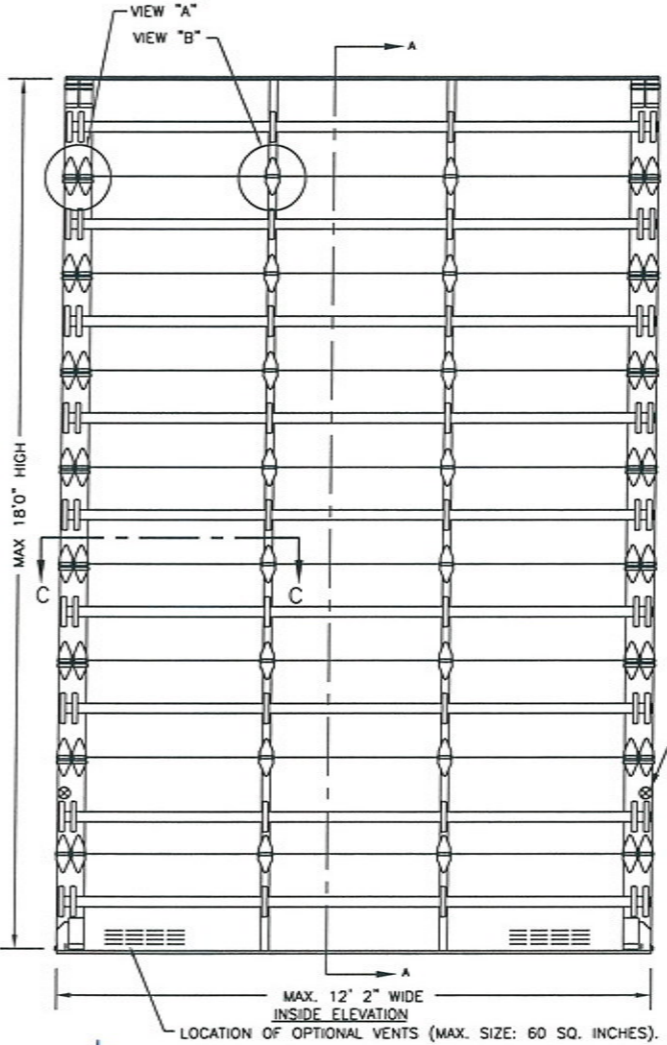
SECTION C-C



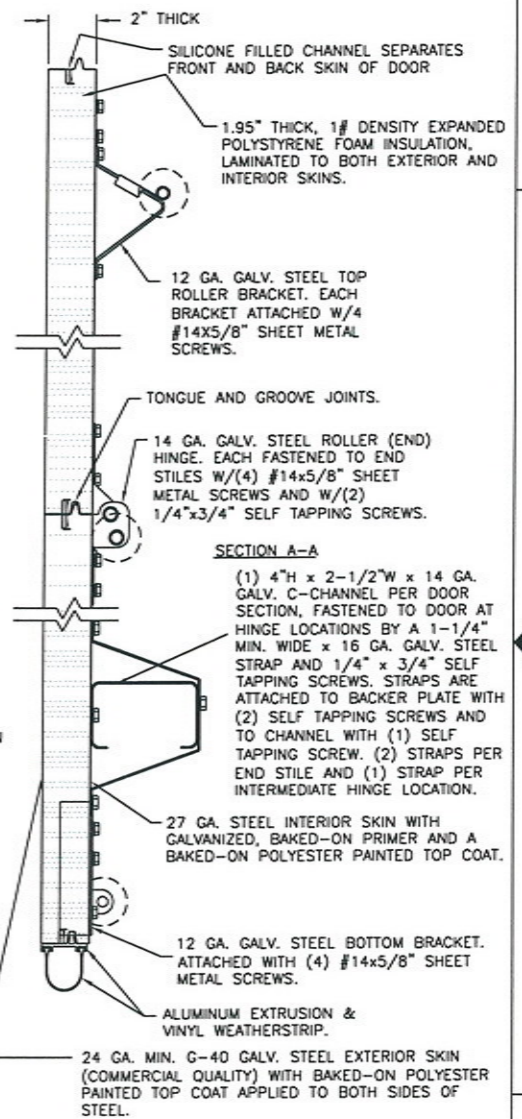
THIS DOOR MEETS THE REQUIREMENTS OF THE LARGE MISSILE IMPACT AND CYCLIC TESTING.

DOOR HEIGHT 'A'	NUMBER OF SECTIONS
8'-0"	4
8'-3" THRU 10'-0"	5
10'-3" THRU 12'-0"	6
12'-3" THRU 14'-0"	7
14'-3" THRU 16'-0"	8
16'-3" THRU 18'-0"	9

MAX. SECTION HEIGHT: 24"



SECTION A-A



SECTION A-A
 (1) 4" x 2-1/2" x 14 GA. GALV. C-CHANNEL PER DOOR SECTION, FASTENED TO DOOR AT HINGE LOCATIONS BY A 1-1/4" MIN. WIDE x 16 GA. GALV. STEEL STRAP AND 1/4" x 3/4" SELF TAPPING SCREWS. STRAPS ARE ATTACHED TO BACKER PLATE WITH (2) SELF TAPPING SCREWS AND TO CHANNEL WITH (1) SELF TAPPING SCREW. (2) STRAPS PER END STILE AND (1) STRAP PER INTERMEDIATE HINGE LOCATION.

CONCRETE JAMBS
 2,000 PSI CONCRETE.
 3/16"x1-3/4" MIN. EMBED TAPCON CONCRETE ANCHOR. 12" MAX. O.C. TO SECURE ANGLE TO CONCRETE. 1-7/8" MIN. EDGE DIST. (SHOWN) OR 3/8" DIA. x 1-3/4" MIN. EMBED ANKR-TITE CONCRETE ANCHOR 12" MAX. O.C. TO CONCRETE. 2-1/2" MIN. EDGE DIST. (NOT SHOWN).

CMU BLOCK JAMBS
 90 CMU BLOCK. BLOCK CELLS MAY BE BACK-FILLED WITH CONCRETE BUT NOT REQ'D.
 1/4" DIA. x 1" MIN. EMBED TAPCON CONCRETE ANCHOR. 7-1/2" MAX. O.C. TO CONCRETE. 2" MIN. EDGE DIST.

ANCHOR NOTE: FIRST (BOTTOM) ANCHOR SHALL BE INSTALLED AT NO MORE THAN HALF OF THE MAXIMUM ON-CENTER DISTANCE. HIGHEST ANCHOR SHALL BE INSTALLED AT LEAST AS HIGH AS THE DOOR OPENING. HORIZONTAL JAMBS DO NOT TRANSFER LOAD.

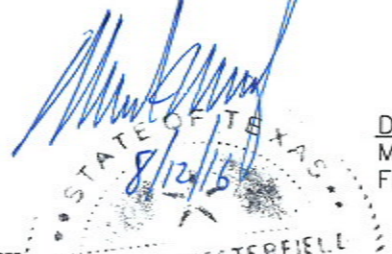
WOOD JAMB ON CONCRETE
 2,000 PSI CONCRETE.
 3/8" DIA. x 1-3/4" EMBED MIN. ANKR-TITE CONCRETE ANCHOR. 12" MAX. O.C. TO SECURE WOOD TO CONCRETE. C'SINK IF NEEDED. 2-1/2" MIN. EDGE DIST.

STEEL JAMBS (3/16" MIN.)
 MAY BE BACK-FILLED WITH CONCRETE, BUT NOT REQUIRED FOR SELF TAPPING SCREW.
 3/16" MIN. STEEL JAMB.
 5/16"x1" SELF TAPPING SCREW. 12" MAX. O.C. TO SECURE ANGLE TO STEEL JAMB. 1/2" MIN. EDGE DIST.

WOOD JAMBS
 1/2"x1-5/8" MIN. EMBED LAG SCREW 1-1/8" WASHER REQ'D. 20" MAX. O.C. TO SECURE 2x6 WOOD JAMB TO WOOD STRUCTURE. C'SINK IF NEEDED.

NOTE:
 1. A 1/3 STRAP INCREASE FOR WIND LOAD WAS NOT USED IN THE CALCULATION OF ALLOWABLE LOADS FOR ANCHORS AND FASTENERS FOR STEEL, CONCRETE, AND MASONRY.

ATTENTION: THE DESIGN OF THE SUPPORTING STRUCTURAL ELEMENTS ARE THE RESPONSIBILITY OF THE PROFESSIONAL OF RECORD FOR THE BUILDING OR STRUCTURE AND IN ACCORDANCE WITH CURRENT BUILDING CODES FOR THE LOADS LISTED ON THIS DRAWING.



DESIGN ENGINEER
 MARK W. WESTERFIELD, P.E.
 FLORIDA P.E. #48495, NC P.E. #23832, TEXAS P.E. #91513

Unless Stated Otherwise TOLERANCES are

.0	= ±.031
.00	= ±.015
.000	= ±.005
.0000	= ±.001
Degrees	= ±1/2°

Unless Stated Otherwise DIMENSIONS ARE IN INCHES.

Glopay Building Products Company
 8585 Duke Boulevard
 Mason, OH 45040 USA
 Tel. No. 513-770-4800
 Fax No. 513-770-4853

MANUFACTURING PRODUCT CODE:
 MPC: C-DSIE-1F447
 PART NO.: N/A

WINDLOAD RATING
 W8

DESCRIPTION: COMMERCIAL EPS DOOR, +52/-58 PSF DESIGN LOAD			
DRAWN BY: RJK	DATE: 11/13/02	SCALE: NTS	DWG. SIZE: B
CHECKED BY: MWW	DATE: 11/02	SHEET 1 OF 1	
DWG. NO.: 101705	VER: TDI		

DESIGN LOADS: +52.0 P.S.F. & -58.0 P.S.F.
 TEST LOADS: +78.0 P.S.F. & -87.0 P.S.F.