

**NOTES:**

1. IMPACT RESISTANT GLAZING OPTION - IMPACT RESISTANT GLAZING SYSTEM MAY BE INSTALLED IN TOP OR INTERMEDIATE SECTION (WITH OR WITHOUT DECORATIVE INSERTS). GLAZING SHALL BE 1/4" POLYCARBONATE. MAXIMUM GLAZING DIMENSIONS SHALL BE 14" x 46" CUTOUT, FASTENED WITH A MINIMUM #8 X 1" SMS: 3X ALONG THE HORIZONTAL AND 3X ALONG THE VERTICAL. SEE DETAIL E ON SHEET 2 FOR ASSEMBLY DETAILS.

2. NON-IMPACT RESISTANT GLAZING OPTION - .090" MINIMUM SSB GLAZING IN MOLDED FRAMES SCREWED TOGETHER WITH A MINIMUM OF (10) #8x1" SCREWS (3X ALONG THE HORIZONTAL AND 2X ALONG THE VERTICAL) INSTALLED IN TOP OR INTERMEDIATE SECTION (WITH OR WITHOUT DECORATIVE INSERTS) MEETS UNIFORM STATIC WIND PRESSURES SHOWN ON THIS DRAWING. MAXIMUM GLAZING DIMENSIONS SHALL BE 15" x 46" CUTOUT. GLAZING IS NOT IMPACT RESISTANT AND DOES NOT MEET THE REQUIREMENTS FOR WIND-BORNE DEBRIS REGIONS.

3. VINYL OR WOOD DOOR STOP NAILED A MAXIMUM OF 6" O.C. MUST OVERLAP TOP AND BOTH ENDS OF PANELS MINIMUM 7/16" TO MEET NEGATIVE PRESSURES.

4. KEY LOCK, SLIDE LOCK, OR OPERATOR REQUIRED.

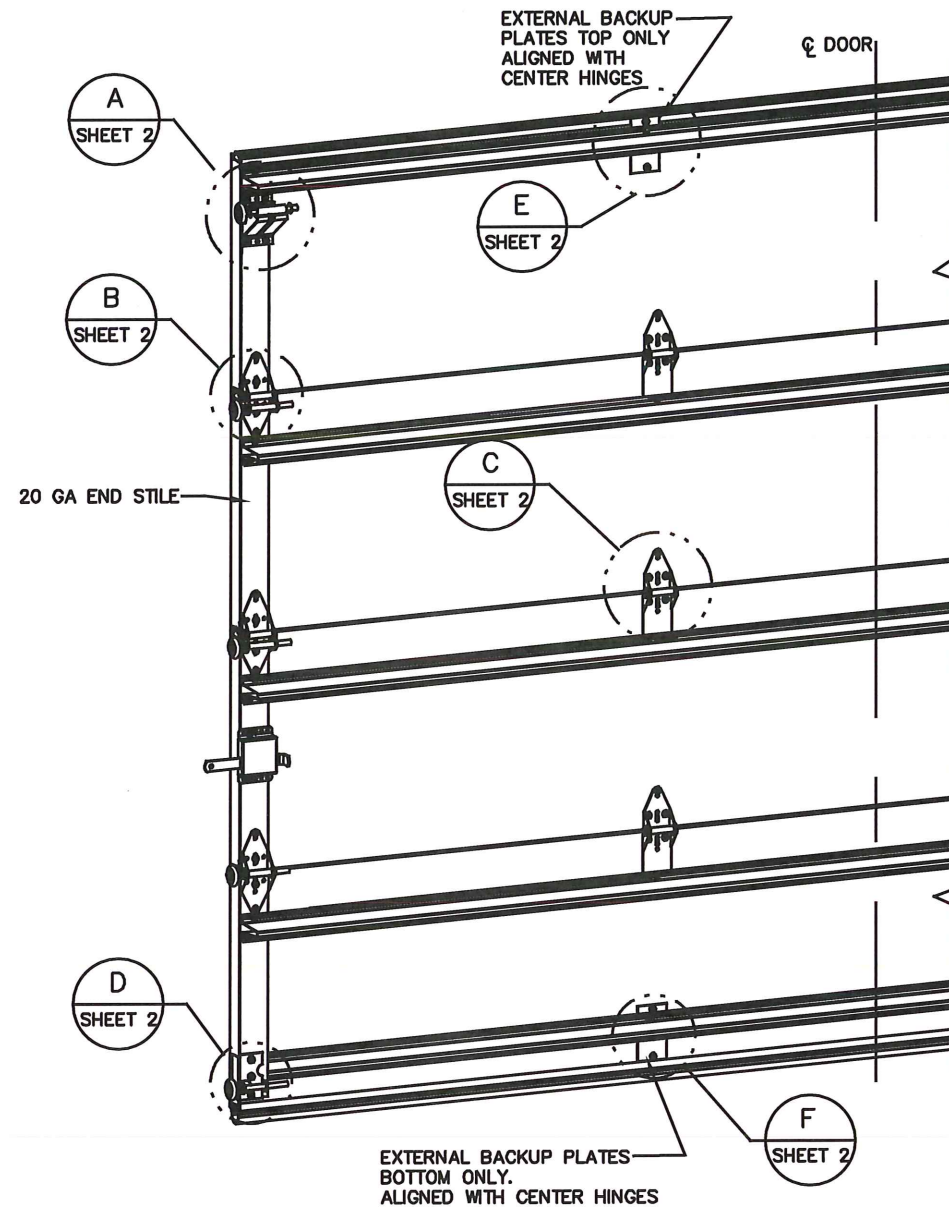
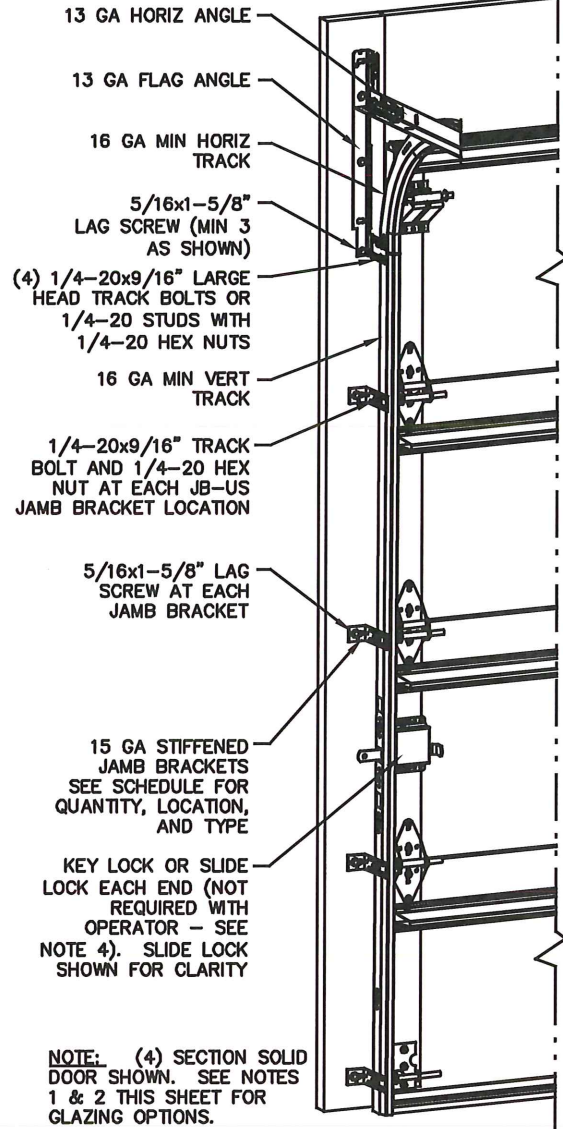
5. FACER STEEL TO HAVE A MINIMUM 29 GA THICKNESS AND BACKER STEEL TO HAVE A MINIMUM 29 GA THICKNESS.

6. EACH SECTION HAS AN INTERNAL 1"WIDE X 20 GA CONTINUOUS STEEL STRIP AT THE TOP AND BOTTOM OF THE SECTION.

7. THE DESIGN OF THE SUPPORTING STRUCTURAL ELEMENTS SHALL BE THE RESPONSIBILITY OF THE PROFESSIONAL OF RECORD FOR THE BUILDING OR STRUCTURE AND IN ACCORDANCE WITH CURRENT BUILDING CODES FOR THE LOADS LISTED ON THIS DRAWING.

8. DOOR JAMB TO BE MINIMUM 2x6 STRUCTURAL GRADE LUMBER. REFER TO JAMB CONNECTION SUPPLEMENT FOR ATTACHMENT TO SUPPORTING STRUCTURE.

9. FOR LOW HEAD ROOM LIFT CONDITIONS, TOP BRACKET SHALL BE A 13 GA LHR 7/4 TOP BRACKET WITH A MINIMUM OF (3) 1/4-20x3/4" SELF DRILLING CRIMPITE SCREWS IN LIEU OF THE BRACKET SHOWN ON THIS DRAWING. U-BAR ON TOP SECTION SHALL BE INSTALLED ON TOP OF LHR TOP BRACKETS.



**REVISIONS**

P1 REVISED MODELS PER WLO08  
SW 9/14/2020

REV A - UPDATED DRAWING TO SHOW GLAZING CROSS-SECTION  
TLC 4/1/21

**SUPERIMPOSED DESIGN PRESSURE LOADS ON SUPPORTING STRUCTURE**

DOOR WIDTH	DOOR HEIGHT	UNIFORM LOAD EACH JAMB (PLF)
8'-2"	ALL	+167.4/-189.1
9'-2"	ALL	+187.9/-212.2

**JAMB BRACKET SCHEDULE**

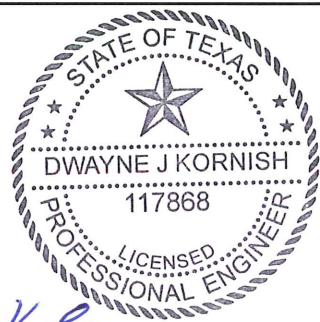
DOOR HEIGHT	NO. OF SECTIONS	NO. OF JAMB BRACKETS (EACH JAMB)	LOCATION OF CENTERLINE OF JAMB BRACKETS MEASURED FROM BOTTOM OF TRACK (ALL DIMENSIONS ± 2")
6'-6"	4	7	2" (JB-US), 10" (JB-US), 21-3/4" (JB-US), 29-3/4" (JB-US), 39" (JB-US), 48" (JB-US), 57-1/4" (JB-US)
7'-0"	4	7	2" (JB-US), 10" (JB-US), 21-3/4" (JB-US), 29-3/4" (JB-US), 42" (JB-US), 52-1/2" (JB-US), 63-1/4" (JB-US)
7'-6"	4 OR 5	8	2" (JB-US), 10" (JB-US), 18-3/4" (JB-US), 26-3/4" (JB-US), 36" (JB-US), 45" (JB-US), 54-1/4" (JB-US), 74-1/2" (JB-US)
8'-0"	4 OR 5	8	2" (JB-US), 10" (JB-US), 21-3/4" (JB-US), 29-3/4" (JB-US), 39" (JB-US), 48" (JB-US), 57-1/2" (JB-US), 75-1/2" (JB-US)
> 8'-0"			SEE NOTE BELOW

**NOTE:**

(JB-US) FOLLOWING DIMENSION DENOTES SLOTTED JAMB BRACKET ATTACHED TO TRACK WITH 1/4-20x9/16" TRACK BOLT AND NUT AS SHOWN ABOVE.

ALL DOORS GREATER THAN 8' IN HEIGHT REQUIRE USE OF CONTINUOUS WALL ANGLE. SEE SUPPLEMENT TRACK CHART FOR DETAILS.

COMPLIES WITH THE REQUIREMENTS OF IBC/IRC 2018.



Dwayne J. Kornish, PE  
4576 COUNTY ROAD 160  
MOUNT HOPE, OHIO  
FL PE 77945  
TX PE 117868

PROFESSIONAL ENGINEER'S SEAL PROVIDED ONLY FOR VERIFICATION OF WINDLOAD CONSTRUCTION DETAILS.

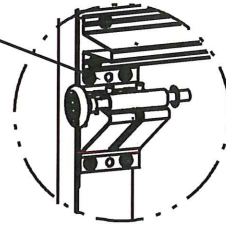


A DIVISION OF OVERHEAD DOOR CORP  
3395 ADDISON DRIVE  
PENSACOLA, FLORIDA 32514  
(850) 474-9890

STATIC PRESSURE RATINGS	APPROVED SIZES	SCALE: N.T.S.	SIZE: A
DESIGN (PSF): +22.40/-25.10	MAX WIDTH: 12'-2"	DATE	NAME
TEST (PSF): +33.60/-37.65	MAX HEIGHT: 24'-0"	DRAWN	5/21/20 SW
IMPACT/CYCLIC RATED (YES/NO): YES	MAX SECTION HEIGHT: 24"	CHECKED	4/1/21 TLC
MODELS 190/490/160/593/594/591/592/596/599/5740/5760/7560		SHEET 1 OF 3	
WINDLOAD SPECIFICATION OPTION CODE 2212		DRAWING PART NO.	REV.
		411712	A

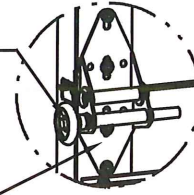


16 GA 'A' FRAME BRACKET WITH 13 GA ROLLER CARRIER ATTACHED WITH (4) 1/4-20x3/4" SELF DRILLING SCREWS



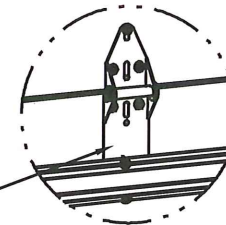
DETAIL A

2" STEEL ROLLER WITH 5-1/4" STEM (OPTIONAL BALL BEARING NYLON ROLLERS)



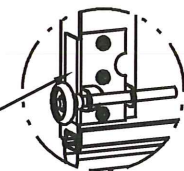
DETAIL B

14 GA WIDE BODY END HINGE ATTACHED WITH (4) 1/4-20x3/4" SELF DRILLING SCREWS



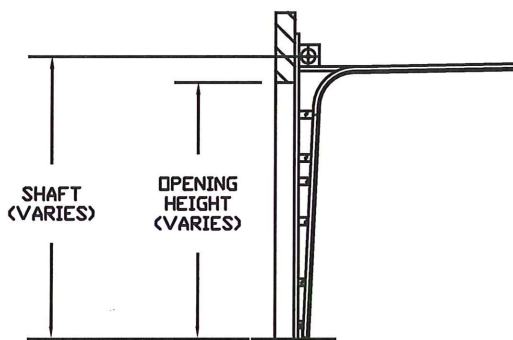
DETAIL C

14 GA WIDE BODY EXTENDED HINGE ATTACHED WITH (7) 1/4-20x3/4" SELF DRILLING SCREWS. (2 THROUGH STRUT AND HINGE)



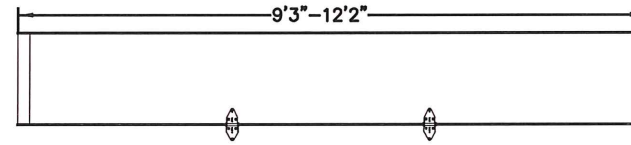
DETAIL D

14 GA BOTTOM BRACKET ATTACHED WITH (3) 1/4-20x3/4" SELF DRILLING SCREWS

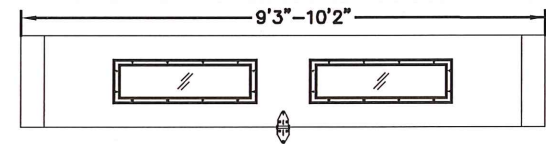
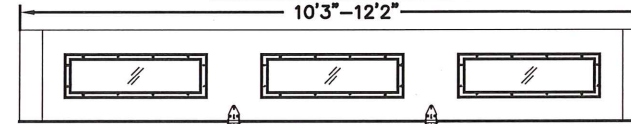


OPTIONAL 2-PIECE TRACK DETAIL

HINGE & BACKER PLATE LOCATIONS



LONG LITE GLAZING LAYOUT

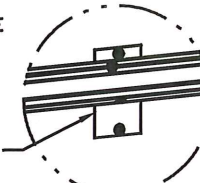


20 GA BACK PLATE ATTACHED WITH DOUBLE SIDED TAPE AND (2) 1/4-20x3/4" SELF DRILLING SCREWS AT TAPE LOCATION. UBAR ATTACHED WITH (2) 1/4-20x3/4" THROUGH STRUT AND PLATE.



DETAIL E

20 GA BACK PLATE ATTACHED WITH DOUBLE SIDED TAPE AND (2) 1/4-20x3/4" SELF DRILLING SCREWS AT TAPE LOCATION. UBAR ATTACHED WITH (2) 1/4-20x3/4" THROUGH STRUT AND PLATE.



DETAIL F

(10) SECTION DOORS WITH (11) 3" 20 GA 80 KSI U-BARS LOCATED AS SHOWN

(9) SECTION DOORS WITH (10) 3" 20 GA 80 KSI U-BARS LOCATED AS SHOWN

(8) SECTION DOORS WITH (9) 3" 20 GA 80 KSI U-BARS LOCATED AS SHOWN

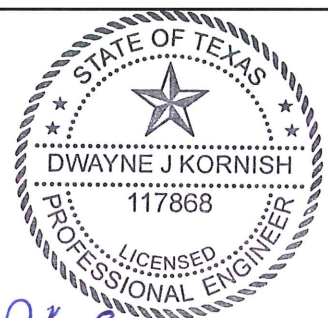
(7) SECTION DOORS WITH (8) 3" 20 GA 80 KSI U-BARS LOCATED AS SHOWN

(6) SECTION DOORS WITH (7) 3" 20 GA 80 KSI U-BARS LOCATED AS SHOWN

(5) SECTION DOORS WITH (6) 3" 20 GA 80 KSI U-BARS LOCATED AS SHOWN

(4) SECTION DOORS WITH (5) 3" 20 GA 80 KSI U-BARS LOCATED AS SHOWN

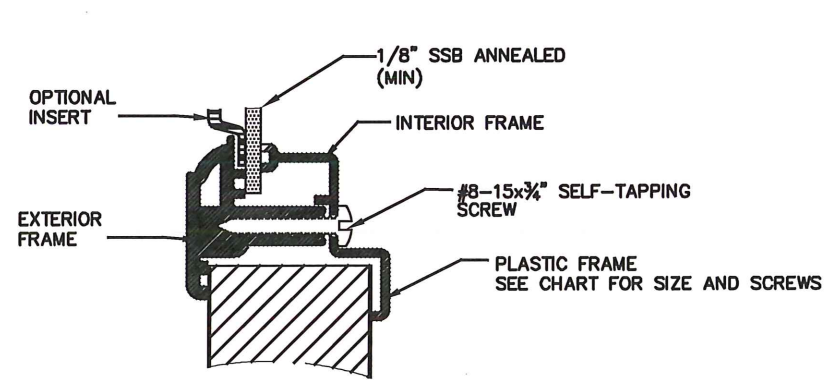
ALL U-BARS SHALL BE ATTACHED WITH (2) 1/4-20x3/4" SELF DRILLING SCREWS AT EACH HINGE LOCATION AND BETWEEN ALL END HINGES AND INTERMEDIATE HINGES. A MINIMUM OF (10) FASTENERS ARE TO BE USED.



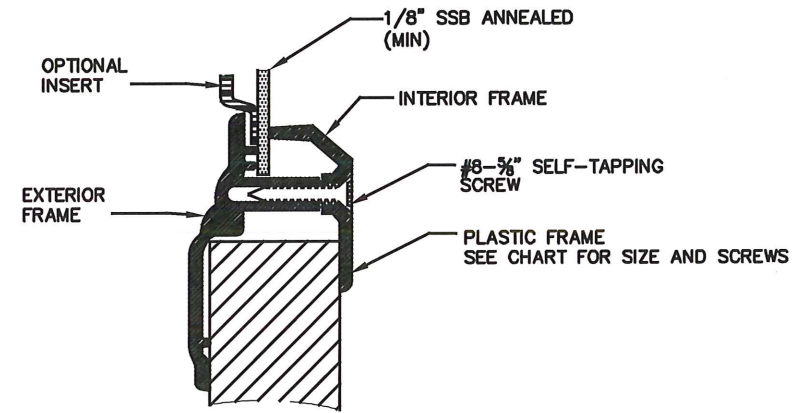
DWAYNE J. KORNISH, PE  
4576 COUNTY ROAD 180  
MOUNT HOPE, OHIO  
FL PE 77945  
TX PE 117868

PROFESSIONAL ENGINEER'S SEAL PROVIDED ONLY FOR VERIFICATION OF WINDLOAD CONSTRUCTION DETAILS.

<p>The Genuine. The Original.</p> <p>A DIVISION OF OVERHEAD DOOR CORP. 3395 ADDISON DRIVE PENSACOLA, FLORIDA 32514 (850) 474-9890</p>	<p>STATIC PRESSURE RATINGS</p>		<p>APPROVED SIZES</p>		<p>SCALE: N.T.S.</p>		<p>SIZE: A</p>	
	DESIGN (PSF):	+22.40/-25.10	MAX WIDTH:	12'-2"	DATE	5/21/20		
	TEST (PSF):	+33.60/-37.65	MAX HEIGHT:	24'-0"	DRAWN	SW		
	IMPACT/CYCLIC RATED (YES/NO):	YES	MAX SECTION HEIGHT:	24"	CHECKED	4/1/21		
<p>MODELS 190/490/160/593/594/591/592/596/599/5740/5760/7560</p>					<p>SHEET 2 OF 3</p>			
<p>WINDLOAD SPECIFICATION OPTION CODE 2212</p>					<p>DRAWING PART NO.</p>		<p>REV.</p>	
					<p>411712</p>		<p>A</p>	

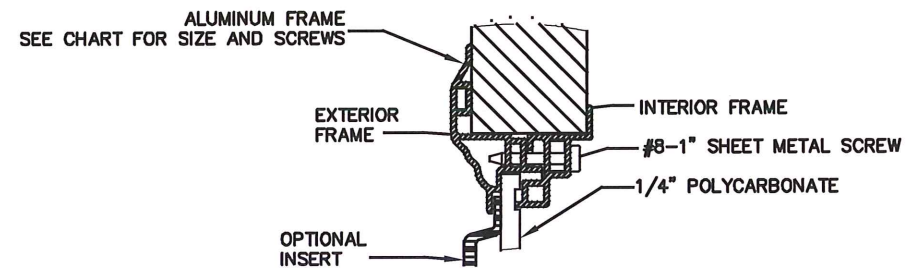


DETAIL G  
NON-IMPACT GLAZING

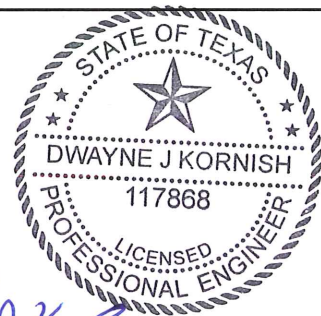


DETAIL H  
NON-IMPACT GLAZING

OUTSIDE FRAME SIZE	DAYLIGHT OPENING (DLO)	SCREW QTY EA HORIZ LEG	SCREW QTY EA VERT LEGS	SCREW QTY TOTAL	DETAIL
17"X51"	14X48	5	3	16	G
15.1X44"	11.5"X40.5"	8	3	22	H
14.9X20.8"	11"X17"	3	3	12	H
7"X40.8	4"X37.8"	5	2	14	H
15.3"X44.1"	11.3"X40.1"	6	3	18	I
14.6"X20.8"	10.6"X16.8"	3	2	10	I
13"X38"	9"X34"	5	2	14	I



DETAIL I  
IMPACT GLAZING



*DJK*  
*4/6/20*  
DWAYNE J. KORNISH, PE  
4576 COUNTY ROAD 180  
MOUNT HOPE, OHIO  
FL PE 77945  
TX PE 117868

PROFESSIONAL ENGINEER'S SEAL PROVIDED ONLY FOR VERIFICATION OF WINDLOAD CONSTRUCTION DETAILS.

The Genuine. The Original.



A DIVISION OF OVERHEAD DOOR CORP  
3395 ADDISON DRIVE  
PENSACOLA, FLORIDA 32514  
(850) 474-9890

STATIC PRESSURE RATINGS	APPROVED SIZES	SCALE: N.T.S.	SIZE: A
DESIGN (PSF): +22.40/-25.10	MAX WIDTH: 12'-2"	DATE	NAME
TEST (PSF): +33.60/-37.65	MAX HEIGHT: 24'-0"	DRAWN	5/21/20
IMPACT/CYCLIC RATED (YES/NO): YES	MAX SECTION HEIGHT: 24"	CHECKED	4/1/21
MODELS 190/490/160/593/594/591/592/596/599/5740/5760/7560		SHEET 3 OF 3	
WINDLOAD SPECIFICATION OPTION CODE 2212		DRAWING PART NO.	REV.
		411712	A