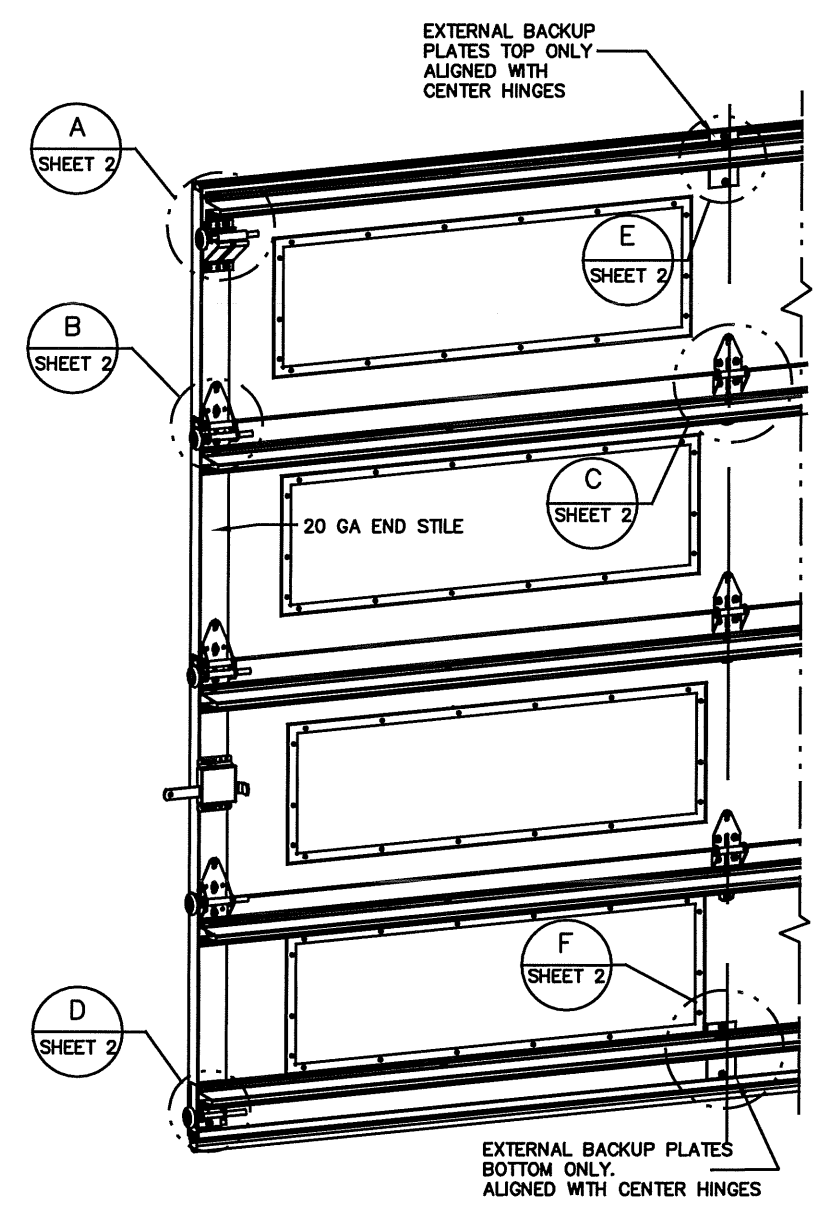
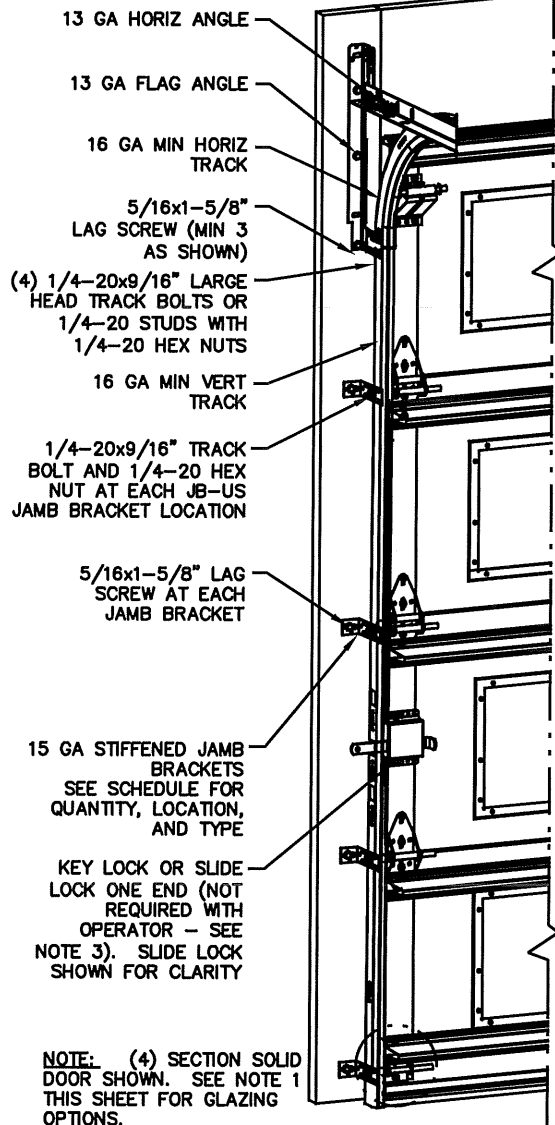


NOTES:

- NON-IMPACT RESISTANT GLAZING OPTION - 3/32" MINIMUM SSB GLAZING IN MOLDED FRAMES SCREWED TOGETHER WITH A MINIMUM OF (14) #8x1" SCREWS (2X ALONG THE HORIZONTAL AND 5X ALONG THE VERTICAL) INSTALLED IN ANY OR ALL SECTIONS MEETS UNIFORM STATIC WIND PRESSURES SHOWN ON THIS DRAWING. MAXIMUM GLAZING DIMENSIONS SHALL BE 38.5" x 13" CUTOUT. GLASS IS NOT IMPACT RESISTANT AND DOES NOT MEET THE REQUIREMENTS FOR WIND-BORNE DEBRIS REGIONS. SEE DETAIL G, H ON SHEET 3 FOR ASSEMBLY DETAILS. ALTERNATE OPTION- 1/2" DSB ANNEALED GLAZING IN ALUMINUM EXTERIOR FRAME/PLASTIC MOLDED INTERIOR FRAME SCREWED TOGETHER WITH A MINIMUM OF (14) #8x1" SCREWS (2X ALONG THE HORIZONTAL AND 5X ALONG THE HORIZONTAL) INSTALLED IN ANY OR ALL SECTIONS MEETS UNIFORM STATIC WIND PRESSURES SHOWN ON THIS DRAWING. MAXIMUM GLAZING DIMENSIONS SHALL BE 39" X 5-1/8" CUTOUT. GLASS IS NOT IMPACT RESISTANT AND DOES NOT MEET THE REQUIREMENTS FOR WIND-BORNE DEBRIS REGIONS. DLO = 4"x37.8"
- VINYL OR WOOD DOOR STOP NAILED A MAXIMUM OF 6" O.C. MUST OVERLAP TOP AND BOTH ENDS OF PANELS MINIMUM 7/16" TO MEET NEGATIVE PRESSURES.
- KEY LOCK, SLIDE LOCK, OR OPERATOR REQUIRED.
- FACER STEEL TO HAVE A MINIMUM 29 GA THICKNESS AND BACKER STEEL TO HAVE A MINIMUM 29 GA THICKNESS.
- EACH SECTION HAS AN INTERNAL 1" WIDE X 20 GA CONTINUOUS STEEL STRIP AT THE TOP AND BOTTOM OF THE SECTION.
- THE DESIGN OF THE SUPPORTING STRUCTURAL ELEMENTS SHALL BE THE RESPONSIBILITY OF THE PROFESSIONAL OF RECORD FOR THE BUILDING OR STRUCTURE AND IN ACCORDANCE WITH CURRENT BUILDING CODES FOR THE LOADS LISTED ON THIS DRAWING.
- DOOR JAMB TO BE MINIMUM 2x6 SOUTHERN PINE LUMBER. REFER TO JAMB CONNECTION SUPPLEMENT FOR ATTACHMENT TO SUPPORTING STRUCTURE.
- FOR LOW HEAD ROOM LIFT CONDITIONS, TOP BRACKET SHALL BE A 13 GA LHR 7/4 TOP BRACKET WITH A MINIMUM OF (3) 1/4-14x7/8" SELF DRILLING CRIMPTITE SCREWS IN LIEU OF THE BRACKET SHOWN ON THIS DRAWING. U-BAR ON TOP SECTION SHALL BE INSTALLED ON TOP OF LHR TOP BRACKETS.
- COMPLIES WITH THE REQUIREMENTS OF IBC/IRC 2018.



REVISIONS
- RELEASE DRAWING
SW 3/23/2021

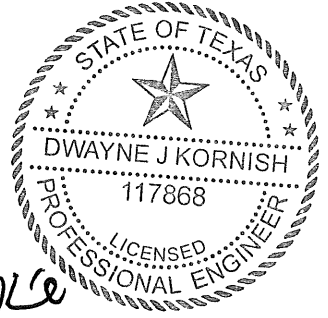
SUPERIMPOSED DESIGN PRESSURE LOADS ON SUPPORTING STRUCTURE

DOOR WIDTH	DOOR HEIGHT	UNIFORM LOAD EACH JAMB (PLF)
8'-2"	ALL	+75.2/-83.0
9'-2"	ALL	+84.4/-95.4

JAMB BRACKET SCHEDULE

DOOR HEIGHT	NO. OF SECTIONS	NO. OF JAMB BRACKETS (EACH JAMB)	LOCATION OF CENTERLINE OF JAMB BRACKETS MEASURED FROM BOTTOM OF TRACK (ALL DIMENSIONS ± 2")
6'-6"	4	4	2" (JB-US), 21-3/4" (JB-US), 48" (JB-US), 57-1/4" (JB-US)
7'-0"	4	4	2" (JB-US), 21-3/4" (JB-US), 42" (JB-US), 63-1/4" (JB-US)
7'-6"	4 OR 5	4	2" (JB-US), 26-3/4" (JB-US), 45" (JB-US), 74-1/2" (JB-US)
8'-0"	4 OR 5	4	2" (JB-US), 21-3/4" (JB-US), 48" (JB-US), 75-1/2" (JB-US)
> 8'-0"			SEE NOTE BELOW

NOTE: (JB-US) FOLLOWING DIMENSION DENOTES SLOTTED JAMB BRACKET ATTACHED TO TRACK WITH 1/4-20x9/16" TRACK BOLT AND NUT AS SHOWN ABOVE.
ALL DOORS GREATER THAN 8' IN HEIGHT REQUIRE USE OF CONTINUOUS WALL ANGLE. SEE SUPPLEMENT TRACK CHART FOR DETAILS.



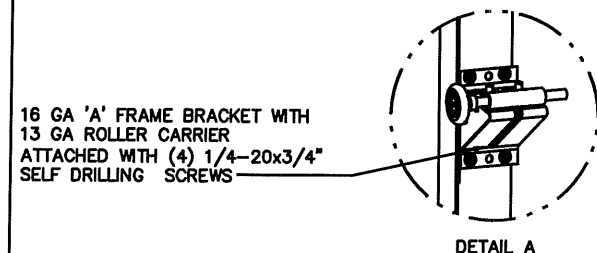
DWAYNE J. KORNISH, PE
4576 COUNTY ROAD 160
MOUNT HOPE, OHIO
FL PE 77945
TX PE 117868

PROFESSIONAL ENGINEER'S SEAL PROVIDED ONLY FOR VERIFICATION OF WINDLOAD CONSTRUCTION DETAILS.

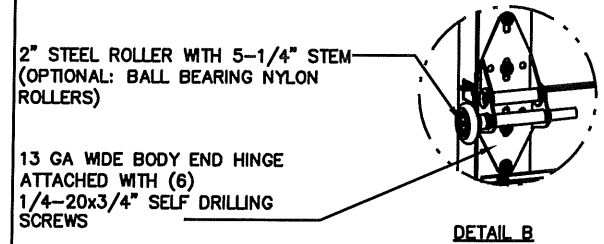
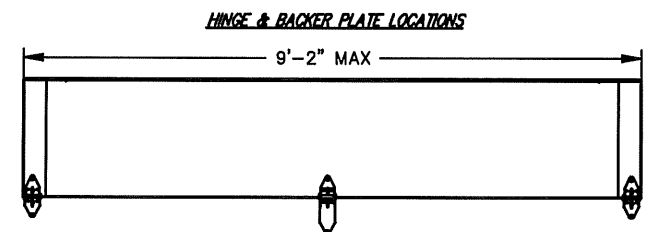
The Genuine. The Original.

A DIVISION OF OVERHEAD DOOR CORP
3395 ADDISON DRIVE
PENSACOLA, FLORIDA 32514
(850) 474-9890

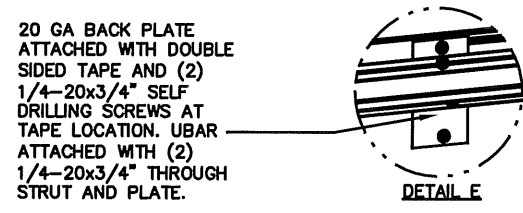
STATIC PRESSURE RATINGS	APPROVED SIZES	SCALE: N.T.S.	SIZE: A
DESIGN (PSF): +18.40/-20.80	MAX WIDTH: 9'-2"	DATE	NAME
TEST (PSF): +27.60/-31.20	MAX HEIGHT: 24'-0"	DRAWN 03/23/21	SW
IMPACT/CYCLIC RATED (YES/NO): NO	MAX SECTION HEIGHT: 24"	CHECKED	
MODELS 5740/5760/190/490/7560/591-596/599		SHEET 1 OF 3	
WINDLOAD SPECIFICATION OPTION CODE 2601		DRAWING PART NO. 411821	REV. -



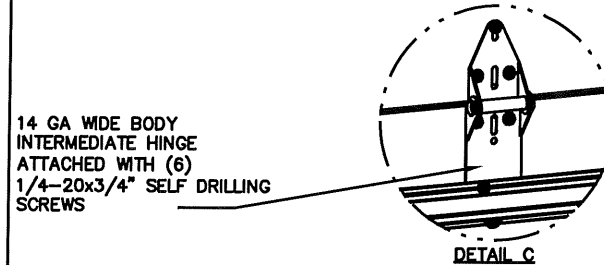
DETAIL A



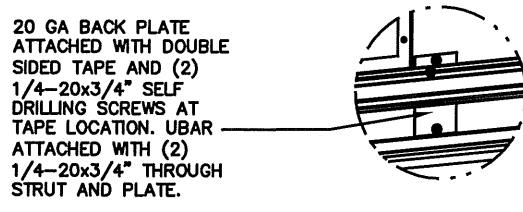
DETAIL B



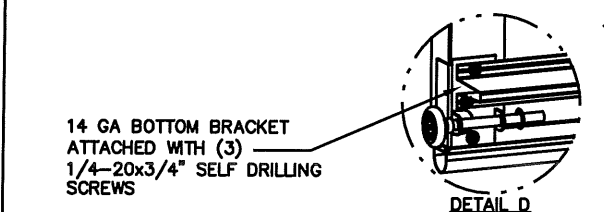
DETAIL E



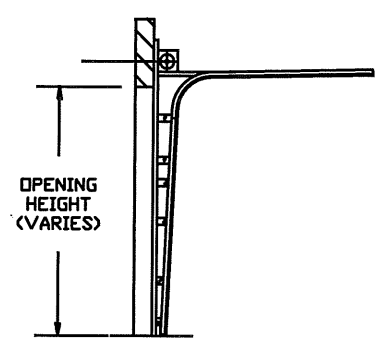
DETAIL C



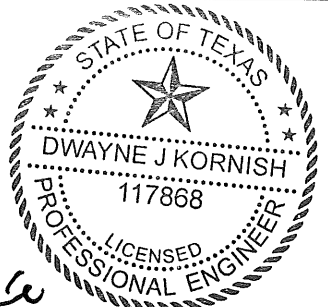
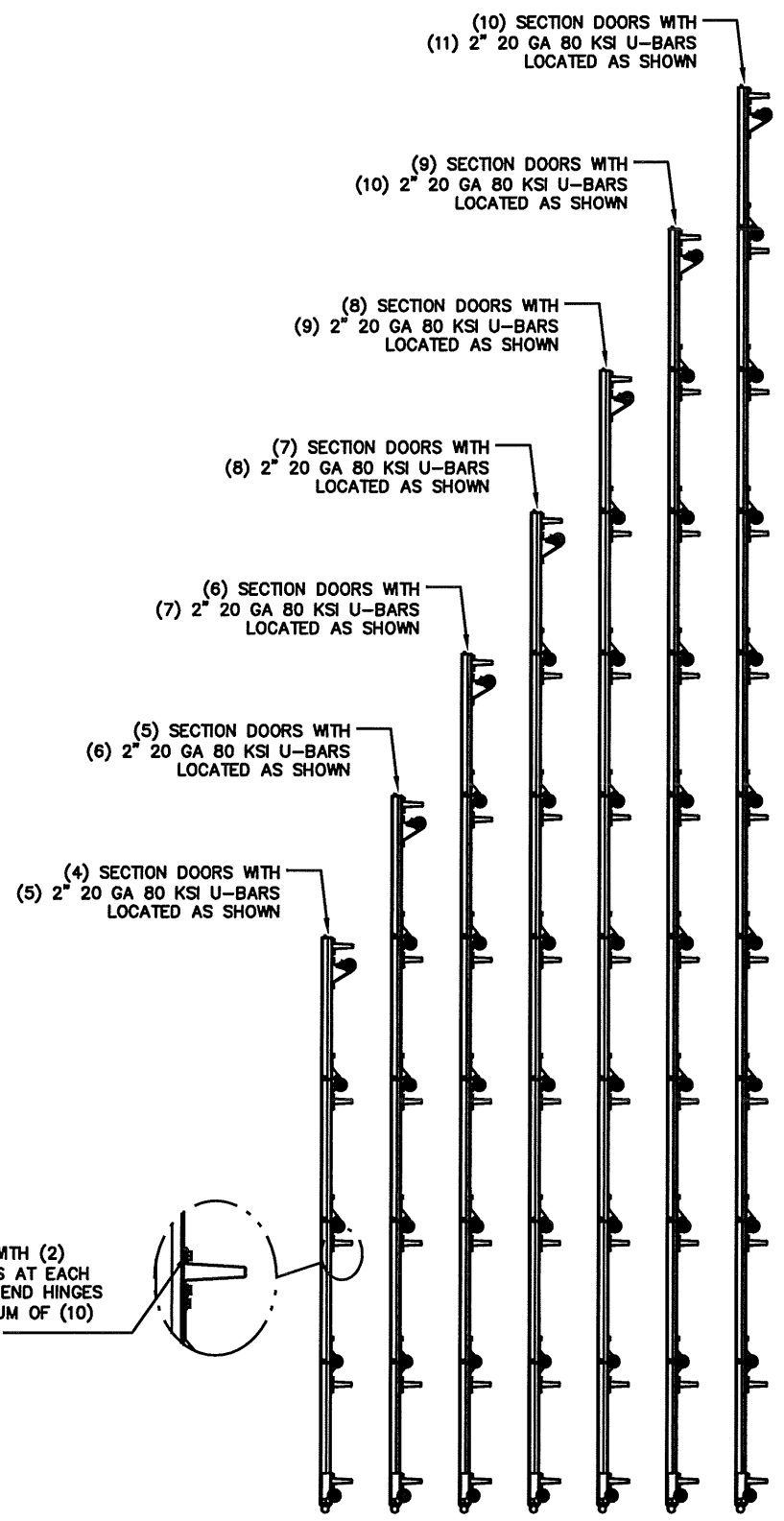
DETAIL D



DETAIL F



ALL U-BARS SHALL BE ATTACHED WITH (2) 1/4-20x3/4" SELF DRILLING SCREWS AT EACH HINGE LOCATION AND BETWEEN ALL END HINGES AND INTERMEDIATE HINGES. A MINIMUM OF (10) FASTENERS ARE TO BE USED.



DWAYNE J. KORNISH, PE
4576 COUNTY ROAD 160
MOUNT HOPE, OHIO
FL PE 77945
TX PE 117868

PROFESSIONAL ENGINEER'S SEAL PROVIDED ONLY FOR VERIFICATION OF WINDLOAD CONSTRUCTION DETAILS.

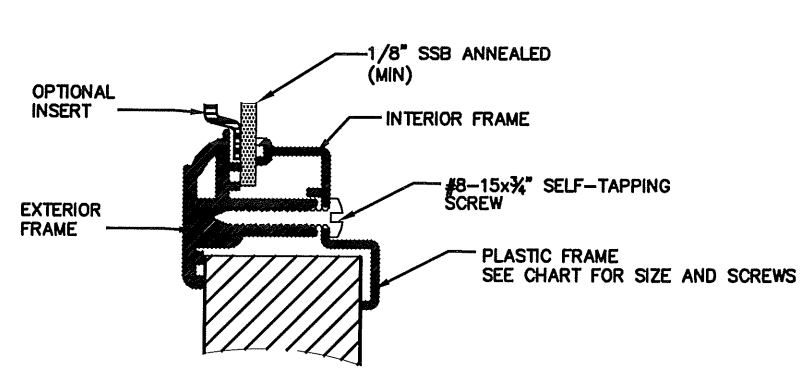
The Genuine. The Original.



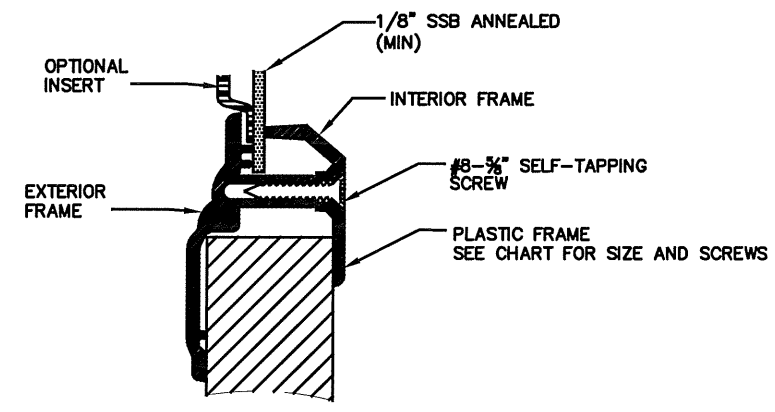
A DIVISION OF OVERHEAD DOOR CORP
3395 ADDISON DRIVE
PENSACOLA, FLORIDA 32514
(850) 474-9880

STATIC PRESSURE RATINGS		APPROVED SIZES		SCALE: N.T.S.		SIZE: A	
DESIGN (PSF):	+18.40/-20.80	MAX WIDTH:	9'-2"	DATE	03/23/21	NAME	SW
TEST (PSF):	+27.60/-31.20	MAX HEIGHT:	24'-0"	DRAWN			
IMPACT/CYCLIC RATED (YES/NO):	NO	MAX SECTION HEIGHT:	24"	CHECKED			
MODELS 5740/5760/190/490/7560/591-596/599				SHEET 2 OF 3			
WINDLOAD SPECIFICATION OPTION CODE 2601				DRAWING PART NO.		REV.	
				411821			

REVISIONS

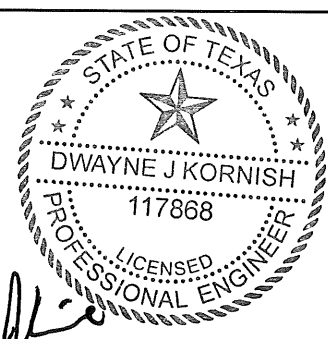


DETAIL G
NON-IMPACT GLAZING



DETAIL H
NON-IMPACT GLAZING

OUTSIDE FRAME SIZE	DAYLIGHT OPENING (DLO)	SCREW QTY EA HORIZ LEG	SCREW QTY EA VERT LEGS	SCREW QTY TOTAL	DETAIL
17"X51"	14X48	5	3	16	G
15.1X44"	11.5"X40.5"	8	3	22	H
14.9X20.8"	11"X17"	3	3	12	H
7"X40.8	4"X37.8"	5	2	14	H



DJK
5/20/2021
DWAYNE J. KORNISH, PE
4578 COUNTY ROAD 160
MOUNT HOPE, OHIO
FL PE 77845
TX PE 117868

PROFESSIONAL ENGINEER'S SEAL PROVIDED ONLY FOR VERIFICATION OF WINDLOAD CONSTRUCTION DETAILS.

The Genuine. The Original.



A DIVISION OF OVERHEAD DOOR CORP.
3395 ADDISON DRIVE
PENSACOLA, FLORIDA 32514
(850) 474-9890

STATIC PRESSURE RATINGS		APPROVED SIZES		SCALE: N.T.S.	SIZE: A
DESIGN (PSF):	+18.40/-20.80	MAX WIDTH:	9'-2"	DATE	NAME
TEST (PSF):	+27.60/-31.20	MAX HEIGHT:	24'-0"	DRAWN	03/23/21
IMPACT/CYCLIC RATED (YES/NO): NO		MAX SECTION HEIGHT: 24"	CHECKED		
MODELS 5740/5760/190/490/7560/591-596/599				SHEET 3 OF 3	
WINDLOAD SPECIFICATION OPTION CODE 2601				DRAWING PART NO.	REV.
				411821	