

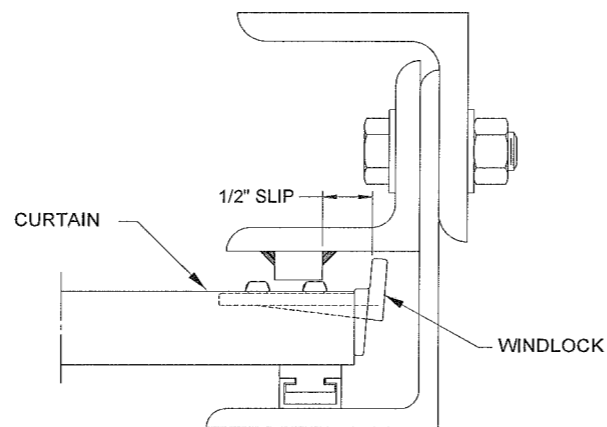
NOTES: (UNLESS OTHERWISE SPECIFIED)

- DESIGNED AND TESTED IN ACCORDANCE FLORIDA BLDG CODE AND INTERNATIONAL BLDG CODE. PROFESSIONAL ENGINEER'S SEAL PROVIDED ONLY FOR VERIFICATION OF WIND LOAD CONSTRUCTION DETAILS.
- WALL ANGLES MAY BE WELDED TO STEEL JAMBS. PLUG WELDS IN THE WALL ANGLE SLOTS THE THICKNESS OF THE ANGLE, OR FILLET WELDS AT THE HEEL AND TOE OF THE WALL ANGLE, 2" LONG AT EACH SPECIFIED BOLT LOCATION, REQUIRED TO HOLD THE LOADS EXERTED ON THE GUIDE.
- STEEL JAMBS MUST BE MINIMUM ASTM A36 5/16" THICK
- RATED DESIGN PRESSURE: ±38 PSF.
- (-W/L) = NEGATIVE WIND LOAD
(+W/L) = POSITIVE WIND LOAD
- WIND LOCKS ATTACHED TO THE END OF EVERY SLAT (CONTINUOUS).
- GUIDE MATERIAL: ASTM A36
CURTAIN MATERIAL: ASTM A-653 CS TYPE B
- THIS DOOR IS CAPABLE OF INTERIOR OR EXTERIOR MOUNTING.

| MOUNT | (E-MOUNT) LOADS * | (Z-MOUNT) LOADS * |
|----------|-------------------|-------------------|
| REACTION | 6052 | 2887 |
| NORMAL | 418 | 418 |
| PARALLEL | 1705 | 1705 |

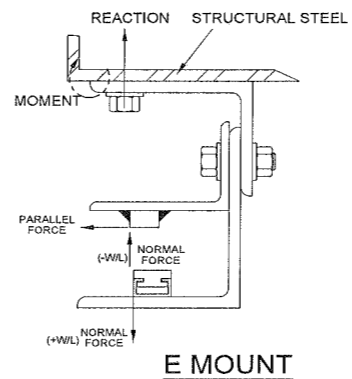
* LOADS - PER FOOT OF HEIGHT (LBS)

LOAD TABLE

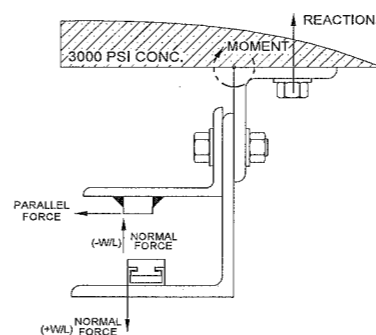


WINDLOCK/WINDBAR RELATIONSHIP DETAIL

SECTION "B-B"

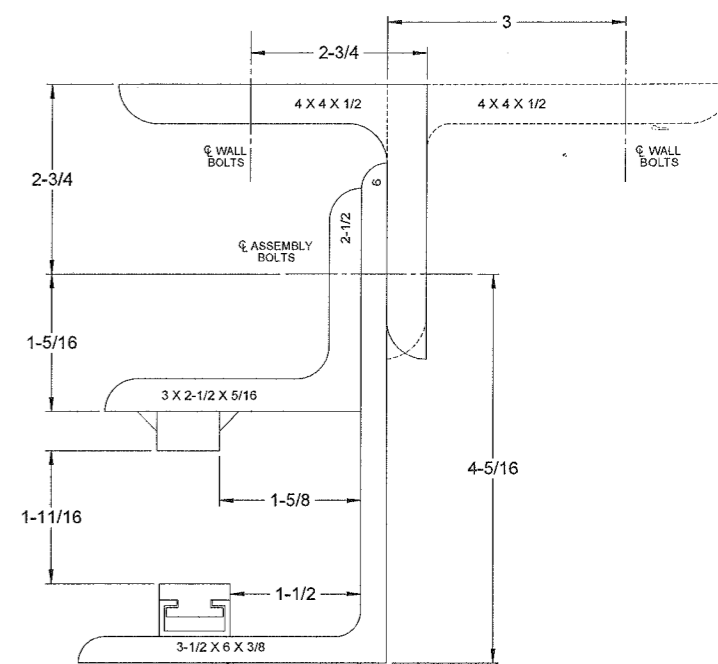


E MOUNT

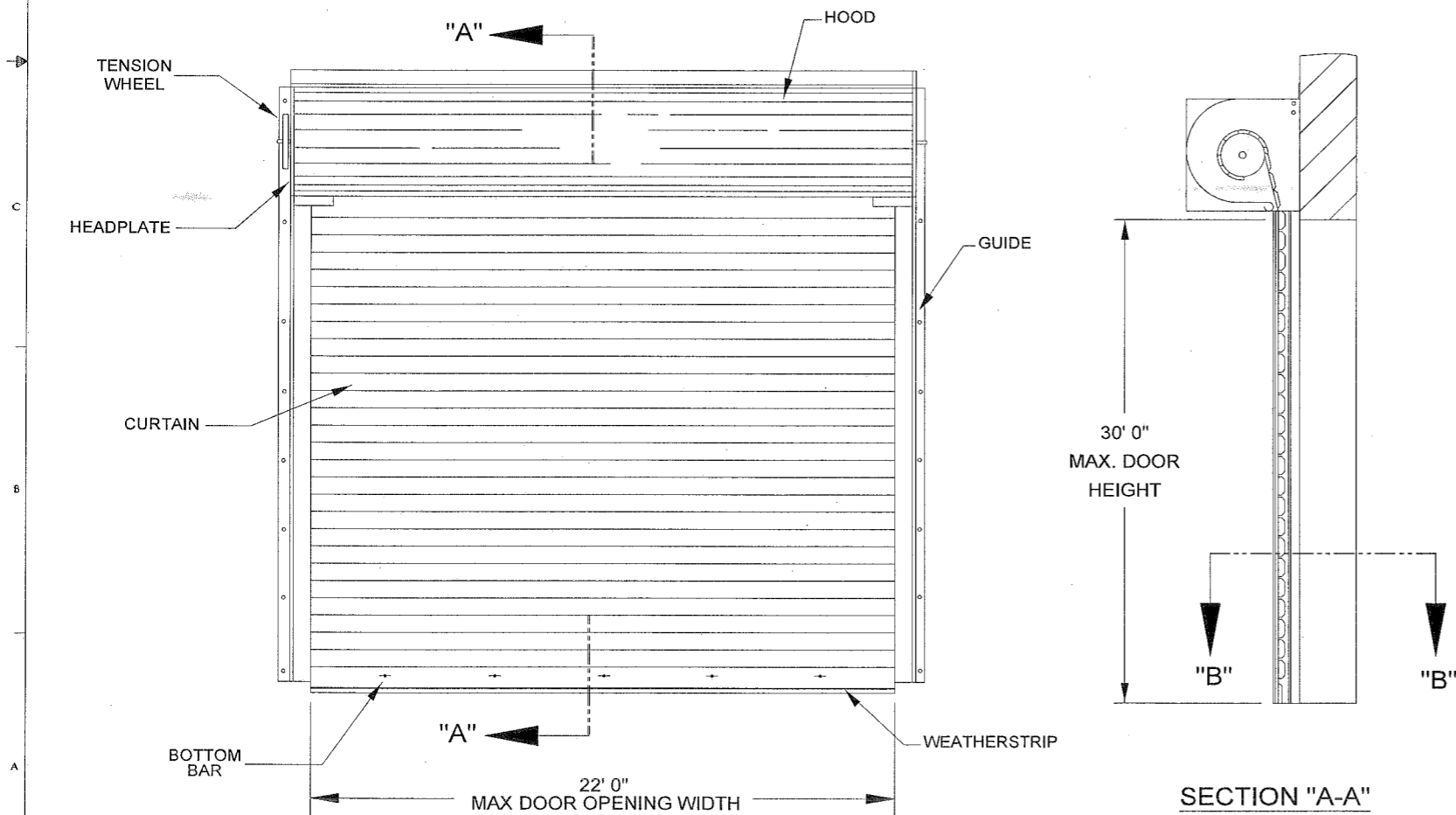


Z MOUNT

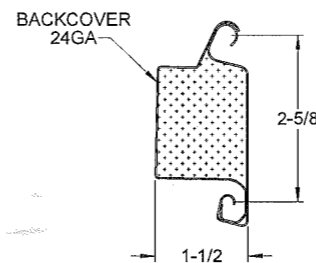
| REVISIONS | | | | |
|-----------|-----|------------------------|--------|------|
| EN | REV | DESCRIPTION | DATE | APVL |
| 502944 | REL | RELEASE FOR PRODUCTION | 6/2/15 | TS |



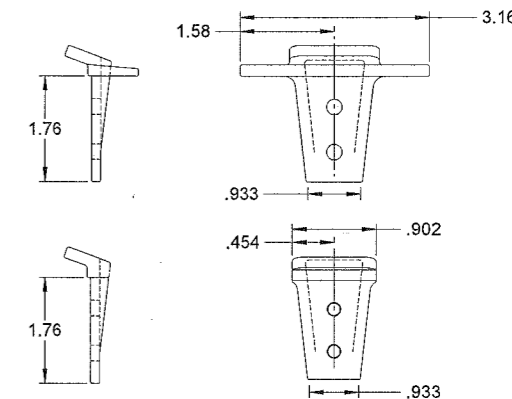
GUIDE DETAIL



SECTION "A-A"



SLAT DETAIL
FRONT SLAT GAUGE OPTIONS: 22, 20, 18

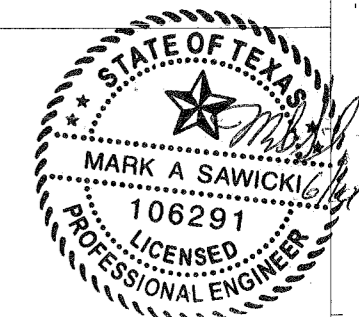


FIT265 WINDLOCK DETAIL
ALTERNATING (TOP), CONTINUOUS (BOTTOM)

| SLAT | ASSEMBLY BOLT | WALL BOLT STEEL JAMB | WALL ATTACHMENT CONCRETE JAMB* |
|--------|------------------------|------------------------|---|
| FIT265 | 5/8" GRADE 5, 12" O.C. | 5/8" GRADE 5, 15" O.C. | 5/8" X 4.38" EMB HILTI KWIK BOLT 3 10" O.C. |

*ANCHORS MUST BE INSTALLED INTO UN-CRACKED, MIN. 3000 PSI, MIN. 8" THICK, NORMAL WEIGHT CONCRETE

HARDWARE DETAIL



OVERHEAD DOOR CORPORATION
2501 SOUTH STATE HWY 121 BUSINESS
LEWISVILLE, TX 75067
MARK A. SAWICKI, TX PE 106291

| | | | | |
|---|---|--|---|---|
| <small>THE DRAWINGS AND ALL OTHER INFORMATION CONTAINED HEREIN ARE THE CONFIDENTIAL PROPRIETARY PROPERTY OF OVERHEAD DOOR CORPORATION, INCLUDING ITS AFFILIATED SUBSIDIARIES AND AFFILIATES. THIS DRAWING INFORMATION, IN WHOLE OR IN PART, MAY NOT BE COPIED IN ANY MANNER OR DISCLOSED TO ANYONE WITHOUT PRIOR WRITTEN CONSENT OF OVERHEAD DOOR CORPORATION. DISCLOSURE OF ANY DRAWING OR INFORMATION IS INTENDED NOT TO AND SHALL NOT OPERATE AS A LICENSE OR AUTHORIZATION TO USE IT FOR ANY PURPOSE WITHOUT SPECIFIC WRITTEN CONSENT OF OVERHEAD DOOR CORPORATION.</small> | UNLESS OTHERWISE SPECIFIED INTERPRET DIMS & TOLS PER ASME Y14.5M ALL DIMS ARE IN INCHES DO NOT SCALE DIMS CIRCLED WITH SYMBOL ARE CRITICAL TO QUALITY DESIGN FEATURES & MUST MEET APPLICABLE IN-PROCESS INSPECTION STANDARDS. | TOLERANCES: X = ± .1 .XX = ± .03 .XXX = ± .010 ANGULAR = ± .5° HOLES: < Ø .251 = +.004/- .003 Ø .251-Ø .500 = +.006/- .003 > Ø .500 = +.008/- .003 ALL GEOMETRY GOVERNED BY 3D CAD DATABASE | APPROVALS DATE DRAWN M. PORTO 5/22/2014 CHECKED G. FINERAN 5/29/14 APPROVED M. SAWICKI 5/29/14 MATERIAL N/A FINISH N/A | The Genuine. The Original. OVERHEAD DOOR CORPORATION OVERHEAD DOOR CORP LEWISVILLE, TEXAS DESCRIPTION MODEL 627, ROLLING SERVICE DOOR, 22' TDI, 38PSF SIZE DWG NO. D 308738 SCALE 1:1 UOM: IN. SHEET 1 OF 1 |
| | <small>REVISIONS</small> | | | REV REL |