

STILE TABLE FOR SHORT EMBOSS DOORS

DOOR WIDTH	# OF HINGES	# OF STD. INTERM. STILES
6'2" TO 7'6"	2	2
7'8" TO 9'0"	3	3

STILE TABLE FOR LONG EMBOSS DOORS

DOOR WIDTH	# OF HINGES	# OF STD. INTERM. STILES	# OF COMM. STILES
6'2" TO 7'6"	N/A	N/A	N/A
7'8" TO 9'0"	3	1	2

MODELS	STANDARD		INSULATED	
	CLOPAY IDEAL HOLMES	G4S, GS4, G4L, GL4, GD4S, GD4L, GR4S, GR4L	G4SV, GS4V, G4LV, GL4V, GD4SV, GD4LV, GR4SV, GR4LV	E4S, E4L, ED4S, ED4L, MR4S, MR4L
			SS4, SL4, AR4S, AR4L	SS4V, SL4V, AR4SV, AR4LV

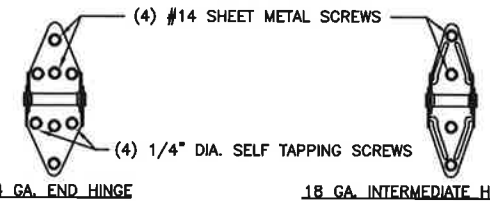
TRACK CONFIGURATION ABOVE THE DOOR OPENING DOES NOT AFFECT THE WIND LOAD RATING.

REV	DATE	DESCRIPTION
03	04/30/07	ADDED NEW MODEL NUMBERS
04	08/14/08	ADDED GLAZING TEXT AND A/B MODEL NUMBERS
05	10/21/08	ADDED PUSHNUTS
06	02/10/12	UPDATED WINDLOAD CHART
07	08/20/12	REVISED FOR TDI
08	06/05/13	REMOVED GLAZING OPTION.
09	08/2016	REMOVED WIND SPEED TABLE.
10	11/23/20	UPDATED TITLE BLOCK AND ADDED COMPLIANCE STATEMENT.

20 GA. MIN. END STILES ATTACHED TO DOOR SKIN WITH PATENTED TOG-L-LOC SYSTEM (TOP, BOTTOM & CENTER).

LOCK POSITION (BOTH SIDES) TWO POINT LOCKING

SECTIONS WITH ONE U-BAR: POSITION AT TOP OF SECTION AS SHOWN OVER HINGES. SECTIONS WITH TWO U-BARS: POSITION ONE AT TOP AND ONE AT BOTTOM OF SECTION ABOVE HINGE OR ABOVE BOTTOM BRACKET AS SHOWN. (SEE HEIGHT CHART FOR U-BAR ARRANGEMENT)



FOR MODELS G4L, GD4L, G4LV, GD4LV, E4L, ED4L, E4LV, ED4LV, MR4L, MR4LV, GL4, GR4L, GL4V, GR4LV, SL4, AR4L, SL4V, AR4LV ONLY (LONG EMBOSS DOORS): ADDITIONAL 18 GA. COMMERCIAL INTERM. STILES REQUIRED FROM 11'6" WIDE TO 16'0" WIDE. SEE 'STILE TABLE FOR LONG EMBOSS DOORS'. THESE COMMERCIAL CENTER STILES ARE ATTACHED MIDPOINT BETWEEN THE EXISTING RESIDENTIAL CENTER STILES. COMMERCIAL CENTER STILES ARE ATTACHED WITH TOG-L-LOC (TOP & BOTTOM) OR (4) 3/16" POP RIVETS OR (4) #8 SHEET METAL SCREWS.

DOOR AVAILABLE IN SHORT OR LONG EMBOSS. DOOR MAY CONSIST OF A MIXTURE OF LONG AND SHORT PANEL SECTIONS.

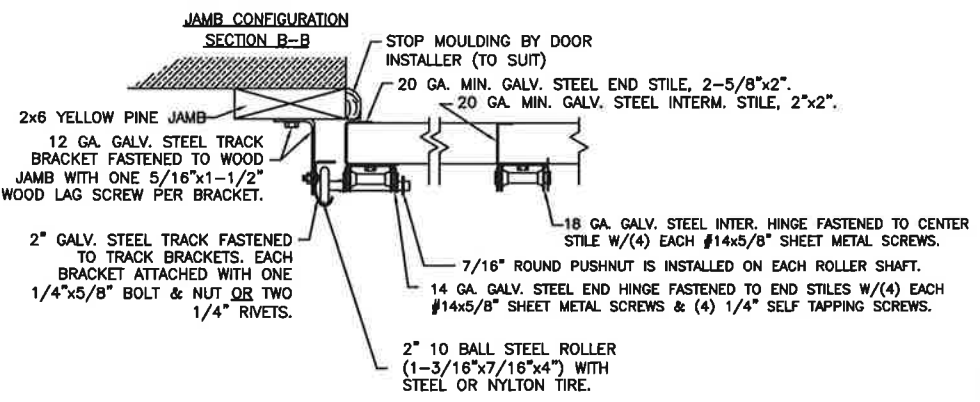
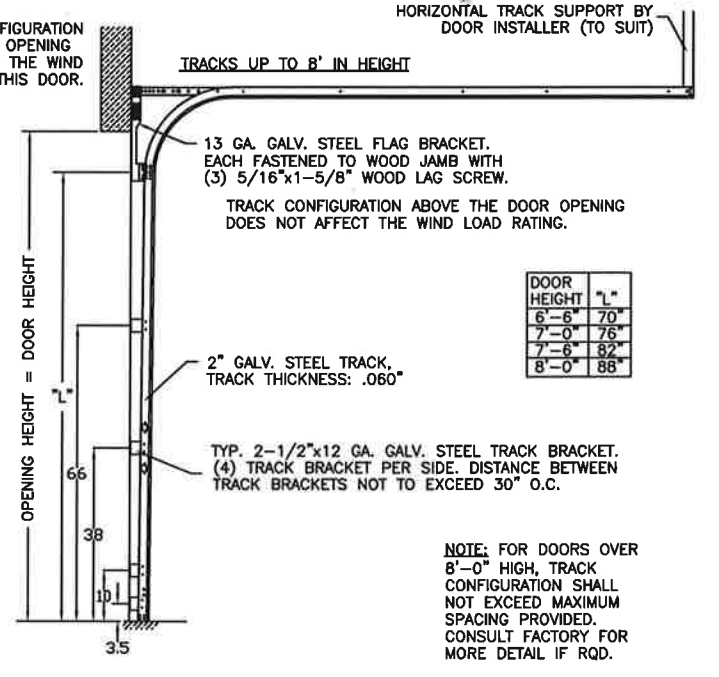
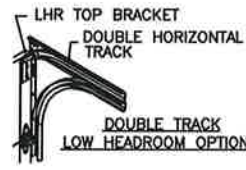
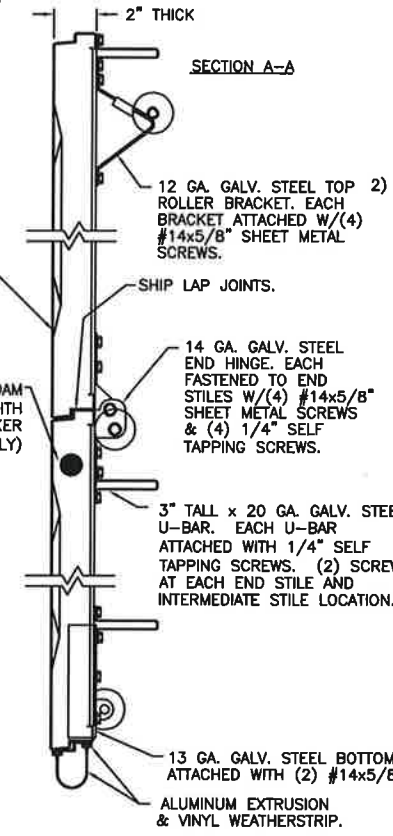
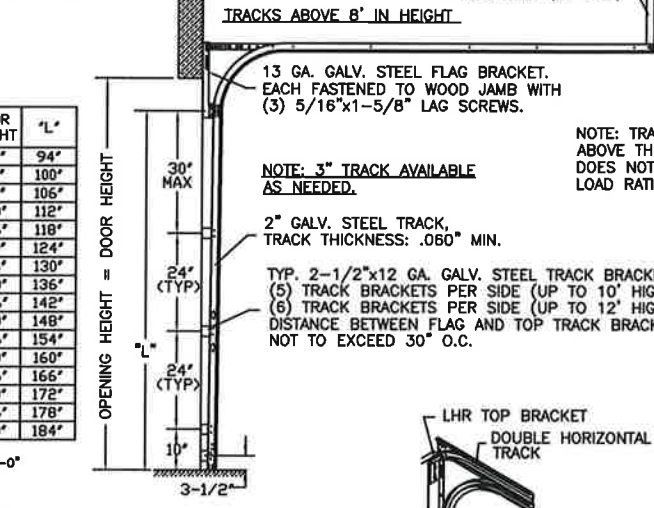
GALLERY 24GA W6-09		NO. OF STRUTS PER SECTION							
DOOR HEIGHT	SECTION NUMBER	1	2	3	4	5	6	7	8
6'-0"	1	0	0	0	0	0	0	0	0
6'-6"	2	0	0	0	0	0	0	0	0
7'-0"	3	0	0	0	0	0	0	0	0
7'-6"	4	0	0	0	0	0	0	0	0
8'-0"	5	0	0	0	0	0	0	0	0
8'-6"	6	0	0	0	0	0	0	0	0
9'-0"	7	0	0	0	0	0	0	0	0
9'-6"	8	0	0	0	0	0	0	0	0
10'-0"	9	0	0	0	0	0	0	0	0
10'-6"	10	0	0	0	0	0	0	0	0
11'-0"	11	0	0	0	0	0	0	0	0
11'-6"	12	0	0	0	0	0	0	0	0
12'-0"	13	0	0	0	0	0	0	0	0
12'-6"	14	0	0	0	0	0	0	0	0
13'-0"	15	0	0	0	0	0	0	0	0
13'-6"	16	0	0	0	0	0	0	0	0
14'-0"	17	0	0	0	0	0	0	0	0
14'-6"	18	0	0	0	0	0	0	0	0
15'-0"	19	0	0	0	0	0	0	0	0
15'-6"	20	0	0	0	0	0	0	0	0
16'-0"	21	0	0	0	0	0	0	0	0

NOTE: FOR DOORS OVER 12'-0" HIGH, TRACK CONFIGURATION SHALL NOT EXCEED MAXIMUM SPACING PROVIDED. CONSULT FACTORY FOR MORE DETAIL IF REQ.

24 GA. MIN. G-40 GALV. STEEL SKIN WITH A BAKED-ON PRIMER AND A BAKED-ON POLYESTER TOP COAT APPLIED TO BOTH SIDES OF STEEL SKIN.

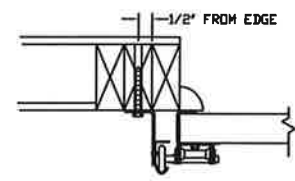
1# DENSITY POLYSTYRENE FOAM INSULATION 1-5/16" THICK WITH VINYL HAIRCELL BACKER (INSULATED MODELS ONLY)

DOOR HEIGHT	# OF SECTIONS
6'-0"	3
6'-3" TO 6'-0"	4
8'-3" TO 10'-0"	5
10'-3" TO 12'-0"	6
12'-3" TO 14'-0"	7
14'-3" TO 16'-0"	8
MAX SECTION HEIGHT:	24'



EQUIVALENT SECTION CONSTRUCTION: FOR ANY OF THE MODELS LISTED ON THIS DRAWING, THE FOLLOWING W-LEVEL DOORS USE EQUIVALENT SECTIONS (UP TO THE MAXIMUM WIDTH ALLOWED ON THIS DRAWING). W6, W8. ANY OF THESE W-LEVELS MAY BE SHOWN ON THE OPTIONAL SHIPPING LABEL ON THE END STILE.

IN THE CASE OF GYPSUM WALLBOARD LOCATED AT OR NEAR THE DOOR OPENING LOCATION THERE ARE TWO ACCEPTABLE ALTERNATIVES:  
 1) THE WALLBOARD CAN BE CUT AWAY FROM THE DOOR OPENING AND 2X6 SOUTHERN YELLOW PINE WOOD JAMBS MOUNTED DIRECTLY TO THE SUPPORTING STRUCTURE TO CREATE THE MOUNTING SURFACE. ALTERNATIVELY, THE BRACKETS MAY BE ATTACHED DIRECTLY TO THE SUPPORTING STRUCTURE. SEE DETAIL BELOW. THE CENTER OF SCREW HOLE MUST BE AT LEAST 1/2" FROM BOTH EDGES FOR A 5/16" LAG SCREW.  
 2) IF THE WALLBOARD IS NOT CUT AWAY TO EXPOSE THE UNDERLYING STRUCTURE (WOOD FRAMING MEMBERS), A 2X6 SOUTHERN YELLOW PINE WOOD BUCK OVER SHALL BE INSTALLED THE WALLBOARD FRAMING THE OPENING USING THE JAMB ATTACHMENT FASTENERS LISTED BELOW. HOWEVER, THE JAMB ATTACHMENT FASTENERS MUST BE OF A SUFFICIENT INCREASED LENGTH TO ACCOUNT FOR THE THICKNESS OF THE WALLBOARD TO ENSURE PROPER FASTENER EMBEDMENT INTO THE STRUCTURAL FRAMING MEMBERS OF THE SUPPORTING STRUCTURE.



NOTE: THE DESIGN OF THE SUPPORTING STRUCTURAL ELEMENTS SHALL BE THE RESPONSIBILITY OF THE PROFESSIONAL OF RECORD FOR THE BUILDING OR STRUCTURE AND IN ACCORDANCE WITH CURRENT BUILDING CODES FOR THE LOADS LISTED ON THIS DRAWING.

PREPARATION OF JAMBS BY OTHERS.

VERTICAL JAMB ATTACHMENT (WOOD FRAME BUILDINGS): 3/8"x3" LAG SCREWS ON 24" CENTERS. 1-1/8" O.D. WASHER REQUIRED. LAG SCREWS MAY BE COUNTERSUNK (BUT NOT REQUIRED) TO PROVIDE A FLUSH MOUNTING SURFACE. HORIZONTAL JAMBS DO NOT TRANSFER LOAD.

VERTICAL JAMB ATTACHMENT (C-90 BLOCK OR 2,000 PSI MIN. CONCRETE COLUMN): 3/8"x3" SLEEVE ANCHOR BOLTS ON 24" CENTERS (2,000 PSI MIN. CONCRETE). WASHERS INCLUDED WITH SLEEVE ANCHORS.

OR 1/4"x3" TAPCON SCREWS ON 20" CENTERS (2,000 PSI MIN. CONCRETE) OR 11" CENTERS (C-90 BLOCK), 1" O.D. WASHERS REQUIRED WITH TAPCONS. ANCHORS MAY BE COUNTERSUNK (BUT NOT REQUIRED) TO PROVIDE A FLUSH MOUNTING SURFACE. HORIZONTAL JAMBS DO NOT TRANSFER LOAD.

OTHER JAMB CONFIGURATIONS: REFER TO DASMA TDS-161. A LICENSED DESIGN PROFESSIONAL MAY ALSO BE EMPLOYED TO APPROVE ALTERNATE FASTENERS AND/OR JAMB CONFIGURATIONS.

ORIGINAL DRAWINGS ARE SIGNED IN BLUE INK WITH A RAISED SEAL (EMBOSSED).

DESIGN ENGINEER: MARK WESTERFIELD, P.E.  
 FLORIDA P.E. #48495,  
 NC P.E. #23832,  
 TEXAS P.E. #91513

DESIGN LOADS: +37.0 P.S.F. & -37.0 P.S.F.  
 TEST LOADS: +55.5 P.S.F. & -55.5 P.S.F.

THIS PRODUCT COMPLIES WITH THE 2018 IBC/IRC.

	CLOPAY CORPORATION 8585 DUKE BLVD. MASON, OH 45040 (513) 770 - 4800	MANUFACTURING PRODUCT CODE SHORT: PAN-2F443 LONG: PAN-2F446	WINDLOAD RATING W6	MAXIMUM DOOR SIZE: 9'0"W X 16'0"H
		DATE: 6/1/05 DRAWN BY: RJK	DESCRIPTION: G4S, G4L, G4SV, G4LV +37/-37 PSF	DRAWING NUMBER: B 103488