

NOTE: Track configuration above the door opening does not affect the wind load rating of the door.

This product has been evaluated per ANSI/DASMA 108 for static air pressure.
 This product has been evaluated per ANSI/DASMA 115 for large missile impact and cyclic wind pressure.

Jamb bracket quantities shown are for use with grade 2 or better southern pine jambs.

Supporting structural elements are to be designed by a registered professional engineer for specific wind loads.

Door Widths Up To	Design Pressures		End Stiles	Model Number						Impact Resistant
	+ psf	- psf		HT 5_80 SERIES		HT 5_70 SERIES		HT 5_10 SERIES HT 5_12 SERIES HT 5_14 SERIES HT 5_16 SERIES		
8'-2"	48.0	-52.0	Single	1	1	1	1	1	1	YES
9'-2"	48.0	-52.0	Single	1	1	1	1	1	1	YES
10'-2"	48.0	-52.0	Single	2	2	1	1	2	2	YES

This product is designed and sold by PSF. The AHJ or Engineer of Record is responsible for determining the PSF required for any given site.

Door Height	Total # of Sections	Total # of Struts	Jamb Brkts per Side
6'-0"	3	3	4
6'-0"	4	4	4
6'-3"	4	4	4
6'-6"	4	4	5
6'-9"	4	4	5
7'-0"	4	4	5
7'-3"	4	4	5
7'-6"	4	4	5
7'-6"	5	5	5
7'-9"	4	4	5
7'-9"	5	5	5
8'-0"	4	4	5
8'-0"	5	5	5

NOTICE: These drawings are a supplement to the installation instructions for a standard door and only covers those procedures that vary from standard door installation. If these specific procedures are not followed, the door may not perform as designed.

Maximum section height is 24 in.
 Maximum door height is 20 ft.

All doors, even those above the tested height, are available with jamb brackets or commercial full angle. The maximum spacing of the jamb brackets/track clips should be maintained.

IMPACT RESISTANT

COMPLIES WITH IBC/IRC 2018

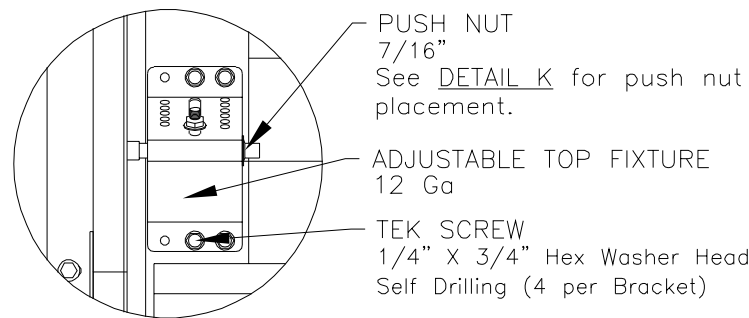
John E. Scates, P.E.
 2560 King Arthur Blvd. Ste 124-54
 Lewisville, Texas 75056
 Texas P.E. 56308/F2203

Professional Engineer seal provided only for verification of wind load construction details.



DESCRIPTION: 10' 2" HT 5000 ALUMINUM SERIES WIND LOAD SECTIONAL DOOR DESIGN PRESSURE +48.0/-52.0 PSF			
DRAWING NO.: WLTI-5000-0122-08-48-52	REV. A		
DATE DRN: 11/17/18	DRAWN BY: MVS	REV. DATE: 2/22/22	
MODEL(S): See Sheet 3	SHEET: 1 OF 4		

320 Sycamore
 Wauseon, Ohio 43567
 © Copyright 2014

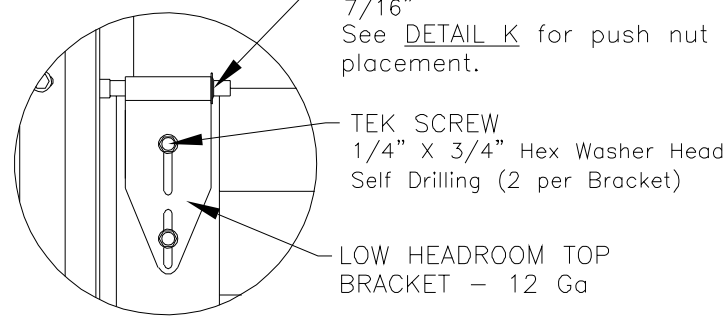


DETAIL A

PUSH NUT
7/16"
See DETAIL K for push nut placement.

ADJUSTABLE TOP FIXTURE
12 Ga

TEK SCREW
1/4" X 3/4" Hex Washer Head
Self Drilling (4 per Bracket)

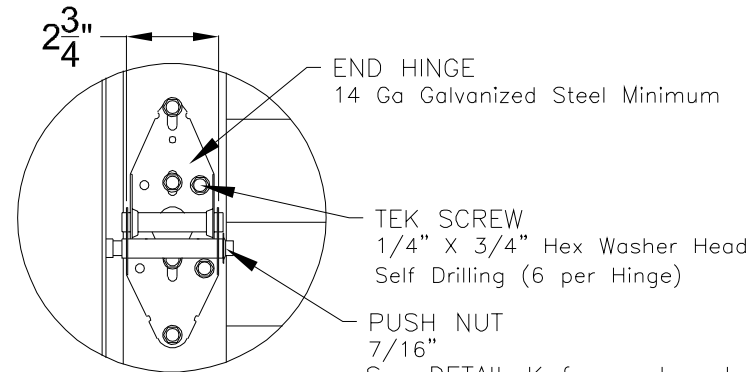


LOW HEADROOM TOP BRACKET

PUSH NUT
7/16"
See DETAIL K for push nut placement.

TEK SCREW
1/4" X 3/4" Hex Washer Head
Self Drilling (2 per Bracket)

LOW HEADROOM TOP BRACKET - 12 Ga

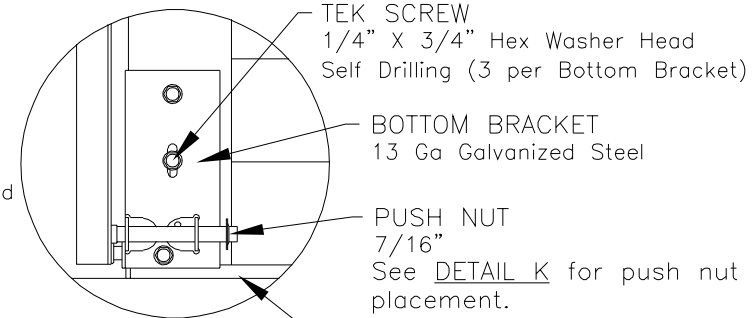


DETAIL B

END HINGE
14 Ga Galvanized Steel Minimum

TEK SCREW
1/4" X 3/4" Hex Washer Head
Self Drilling (6 per Hinge)

PUSH NUT
7/16"
See DETAIL K for push nut placement.



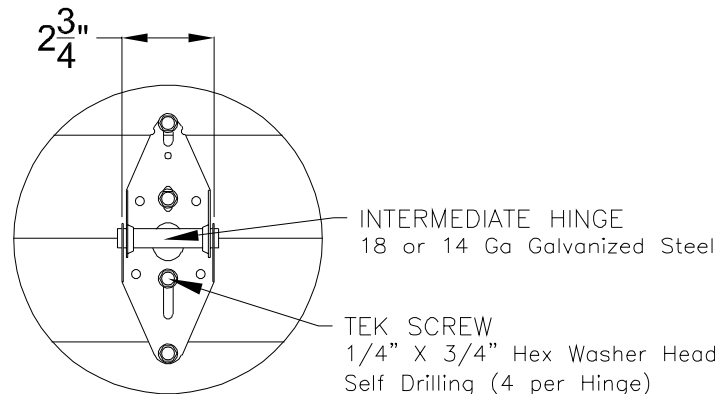
DETAIL C

TEK SCREW
1/4" X 3/4" Hex Washer Head
Self Drilling (3 per Bottom Bracket)

BOTTOM BRACKET
13 Ga Galvanized Steel

PUSH NUT
7/16"
See DETAIL K for push nut placement.

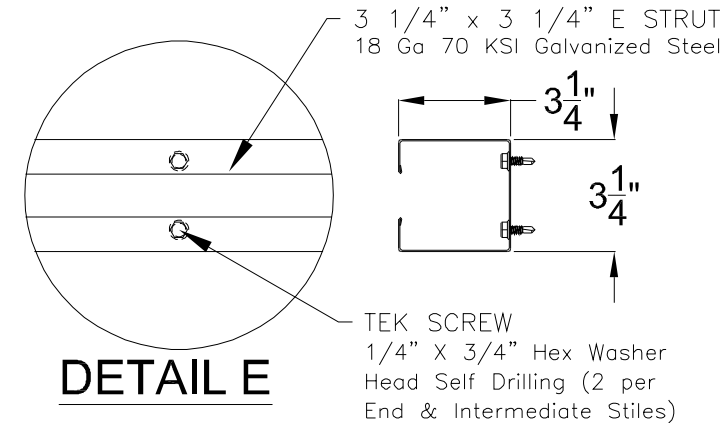
BOTTOM SEAL



DETAIL D

INTERMEDIATE HINGE
18 or 14 Ga Galvanized Steel

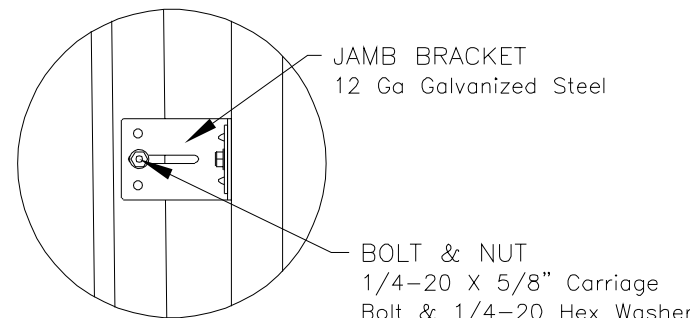
TEK SCREW
1/4" X 3/4" Hex Washer Head
Self Drilling (4 per Hinge)



DETAIL E

3 1/4" x 3 1/4" E STRUT
18 Ga 70 KSI Galvanized Steel

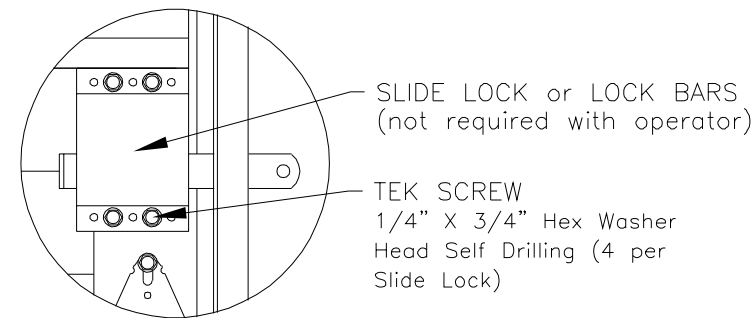
TEK SCREW
1/4" X 3/4" Hex Washer Head
Self Drilling (2 per End & Intermediate Stiles)



DETAIL F

JAMB BRACKET
12 Ga Galvanized Steel

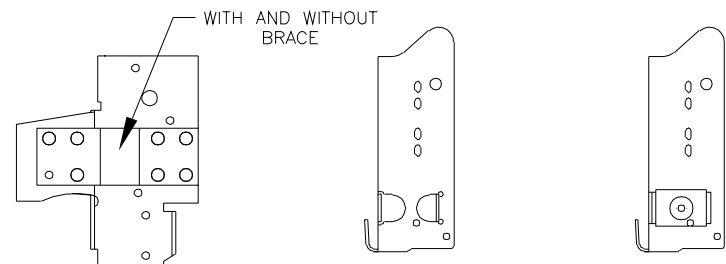
BOLT & NUT
1/4-20 X 5/8" Carriage Bolt & 1/4-20 Hex Washer Nut (1 per Jamb Bracket)



DETAIL G

SLIDE LOCK or LOCK BARS
(not required with operator)

TEK SCREW
1/4" X 3/4" Hex Washer Head
Self Drilling (4 per Slide Lock)



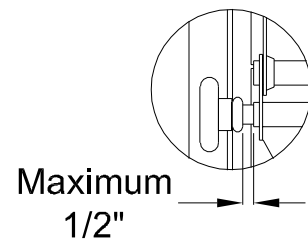
RESIDENTIAL & LIGHT COMMERCIAL
For Low Headroom With 2" Track and Single End Stiles

COMMERCIAL
For Standard, High & Vertical Lift With 2" Track and Single End Stiles

COMMERCIAL
For Standard, High & Vertical Lift With 3" Track and Single End Stiles

ALTERNATE BOTTOM BRACKETS

NOTE: The bottom bracket tested (shown in DETAIL C) is the lightest bracket available.

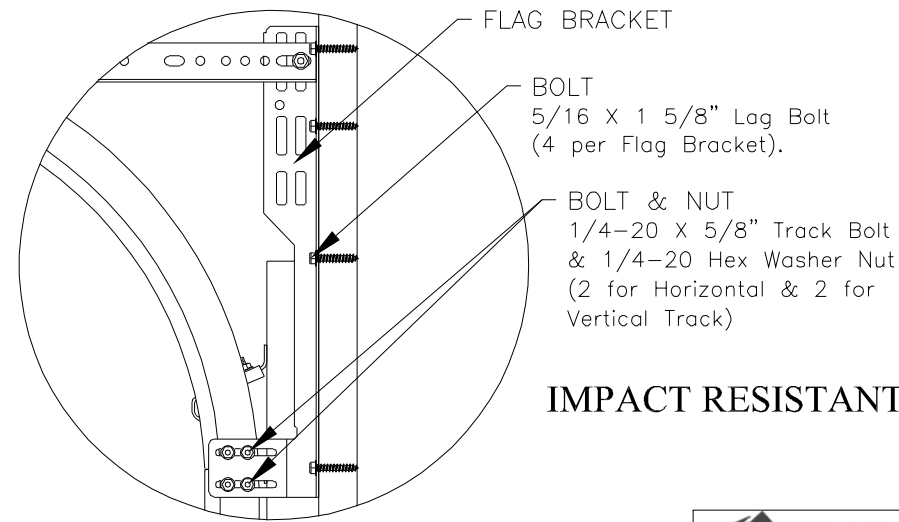


DETAIL K

Maximum 1/2"

There should be a space of maximum 1/2" between the roller hub and the outside edge of the roller holder which is set by the push nut.

NOTE: Details on some views omitted for clarity. Double end stiles and end hardware may be provided on wider or heavier doors.



DETAIL H

FLAG BRACKET

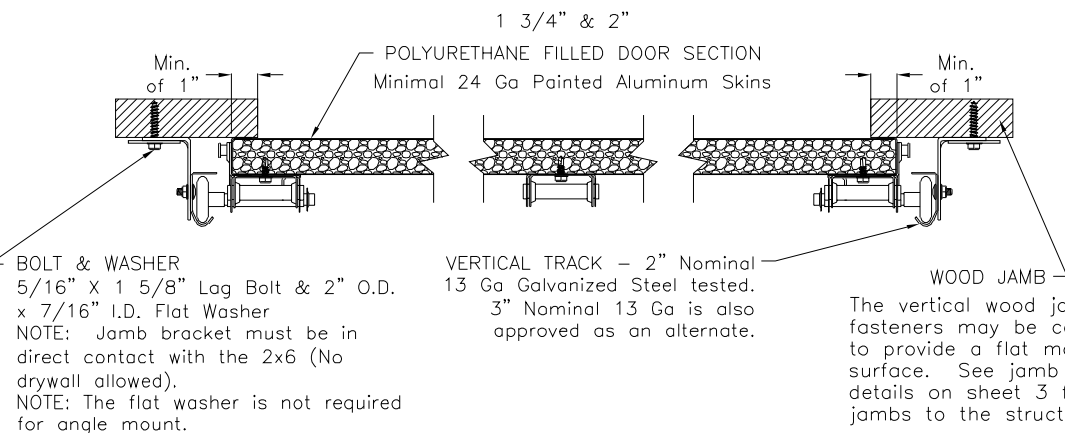
BOLT
5/16 X 1 5/8" Lag Bolt (4 per Flag Bracket).

BOLT & NUT
1/4-20 X 5/8" Track Bolt & 1/4-20 Hex Washer Nut (2 for Horizontal & 2 for Vertical Track)

IMPACT RESISTANT

John E. Scates, P.E.
2560 King Arthur Blvd. Ste 124-54
Lewisville, Texas 75056
Texas P.E. 56308/F2203

Professional Engineer seal provided only for verification of wind load construction details.



ROLLER

2" Diameter Nominal Eleven Ball Nylon or Ten Ball Steel with a Minimum Workable Shaft Length Shown.

BOLT & WASHER
5/16" X 1 5/8" Lag Bolt & 2" O.D. x 7/16" I.D. Flat Washer
NOTE: Jamb bracket must be in direct contact with the 2x6 (No drywall allowed).
NOTE: The flat washer is not required for angle mount.

POLYURETHANE FILLED DOOR SECTION
Minimal 24 Ga Painted Aluminum Skins

VERTICAL TRACK - 2" Nominal
13 Ga Galvanized Steel tested.
3" Nominal 13 Ga is also approved as an alternate.

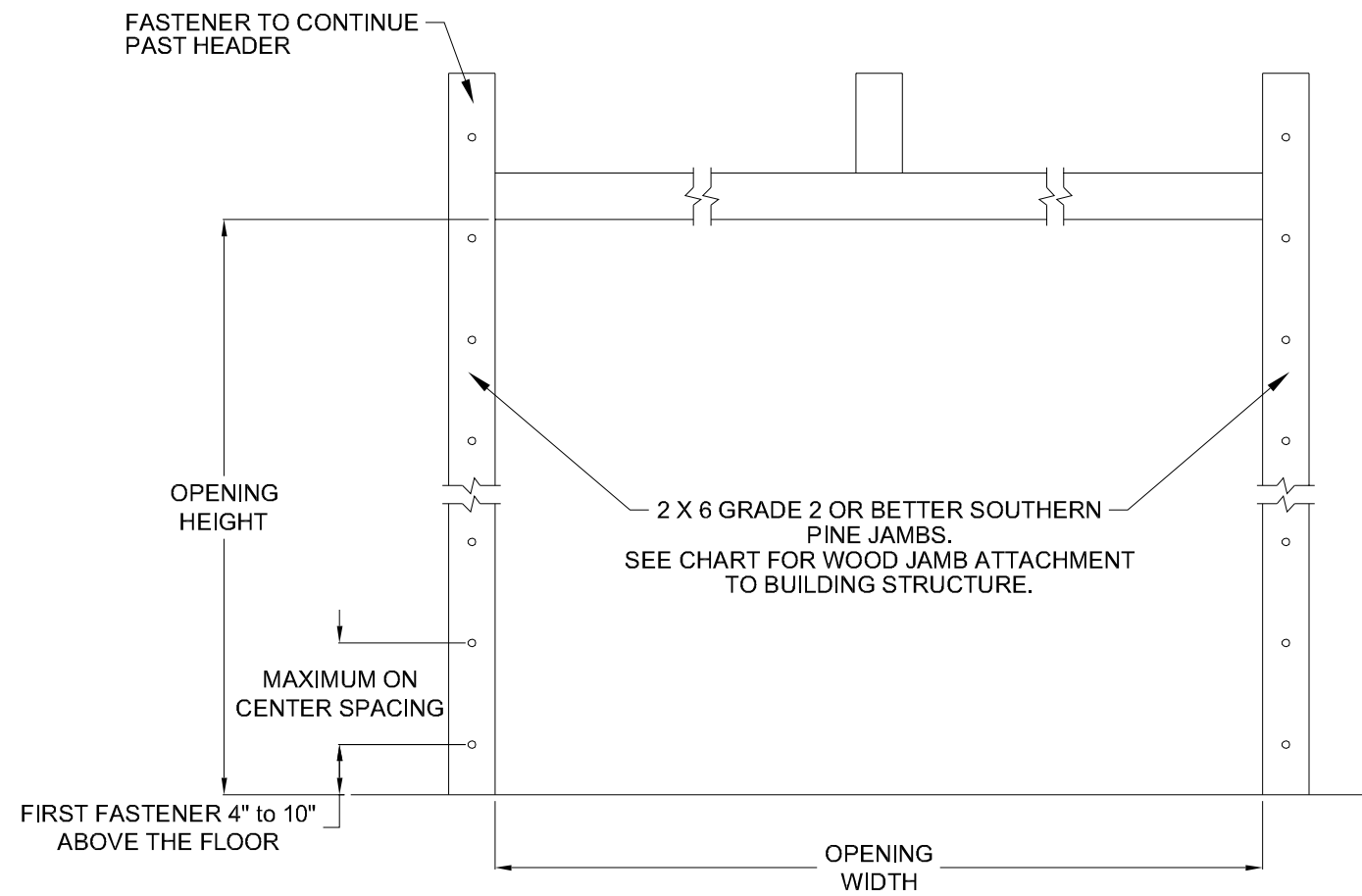
WOOD JAMB
The vertical wood jamb fasteners may be counter sunk to provide a flat mounting surface. See jamb attachment details on sheet 3 for attaching jambs to the structure.



DESCRIPTION:
10' 2" HT 5000 ALUMINUM SERIES WIND LOAD SECTIONAL DOOR DESIGN PRESSURE +48.0-52.0 PSF

DRAWING NO.: WLTI-5000-0122-08-48-52	REV.: A
DATE DRN: 11/17/18	DRAWN BY: MVS
MODEL(S): See Sheet 3	REV. DATE: 2/22/22
SHEET: 2 OF 4	

320 Sycamore
Wauseon, Ohio 43567
© Copyright 2014



MODEL NUMBERS

MODEL NUMBERS AVAILABLE
HT 5 _10 SERIES
HT 5 _12 SERIES
HT 5 _14 SERIES
HT 5 _16 SERIES
HT 5 _70 SERIES
HT5 _80 SERIES

WOOD JAMB ATTACHMENT						
Building Structure	Fastener Type	Minimum Embedment	Minimum Edge Distance	Minimum on Center Spacing	Maximum on Center Spacing	Allowable Tension Load
Min. 2500 PSI to 4000 PSI Concrete	Tapcon + (PLUS) 1/4" w/ 1" OD washer	2"	2.50"	5.00"	24"	551
Southern Pine	3/8" Lag w/ 1 1/8" OD washer	1.50"	1.50"	1.50"	24"	620
Spruce Pine Fir	3/8" Lag w/ 1 1/8" OD washer	1.50"	1.50"	1.50"	23"	482

NOTE: 2X6 mounted to the wall must be Southern Pine Grade 2 or better.

IMPACT RESISTANT

John E. Scates, P.E.
2560 King Arthur Blvd. Ste 124-54
Lewisville, Texas 75056
Texas P.E. 56308/F2203

Professional Engineer seal provided only for verification of wind load construction details.



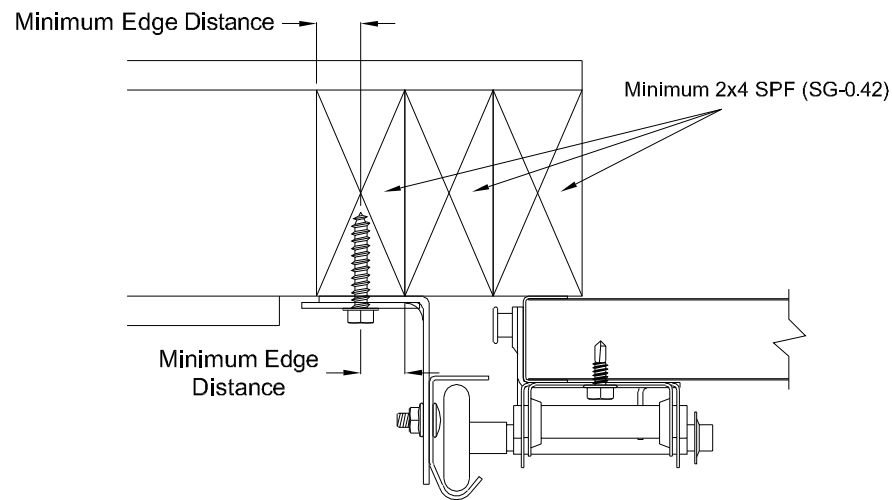
DESCRIPTION:
10' 2" HT 5000 ALUMINUM SERIES
WIND LOAD SECTIONAL DOOR
DESIGN PRESSURE +48.0/-52.0 PSF

DRAWING NO.: WLTI-5000-0122-08-48-52 **REV.** A

DATE DRN: 11/17/18 **DRAWN BY:** MVS **REV. DATE:** 2/22/22

MODEL(S): See Sheet 3 **SHEET:** 3 OF 4

320 Sycamore
Wauseon, Ohio 43567
© Copyright 2014



Direct Wood Mounting Detail

Bracket Mount Shown, Reverse and Continuous Angle Mount Also Approved As Alternate.

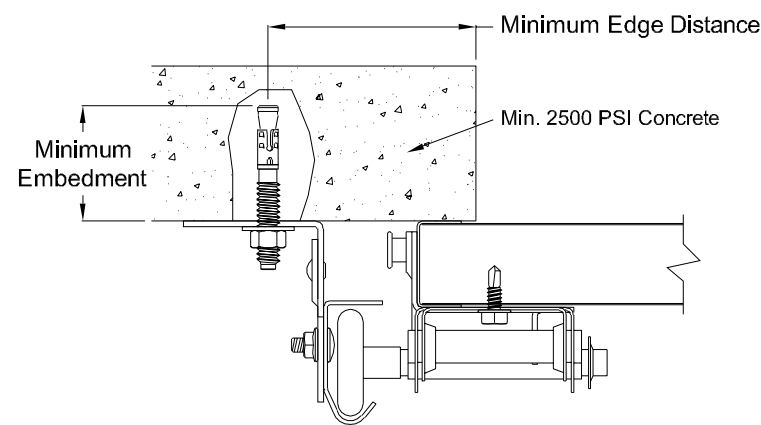
439 lbs. per anchor allowable load

5/16" Dia. Lag Screw w/1-1/8" O.D. Flat Washer (shall conform to ANSI/ASME standard B18.2.1)

Minimum Screw Length: Spruce-Pine-Fur (SPF) - 2-1/2"
Southern Pine - 1-5/8"

Minimum Edge Distance: 1/2"

Maximum on Center Spacing: 22"



Direct Concrete Mounting Detail

Continuous Angle Clip Mount Shown, Bracket and Reverse Continuous Angle Mount Also Approved As Alternate.

831 lbs. per anchor allowable load

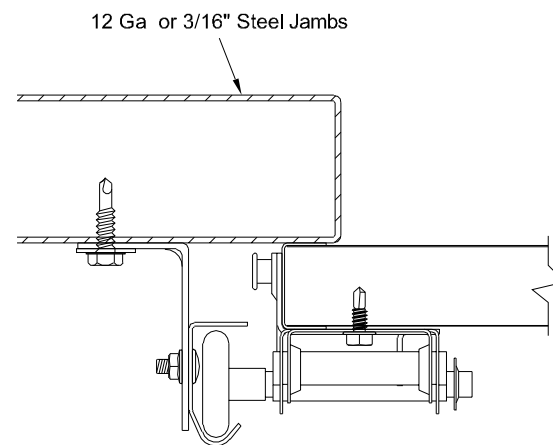
3/8" Dia. Ankr-Tite CCAT w/1-1/8" O.D. Flat Washer (by Wej-It Fastening Systems)

Minimum Embedment: 2-5/8"

Minimum Edge Distance: 2-1/2"

Minimum on Center Spacing: 6"

Maximum on Center Spacing: 24"



Direct Steel Mounting Detail

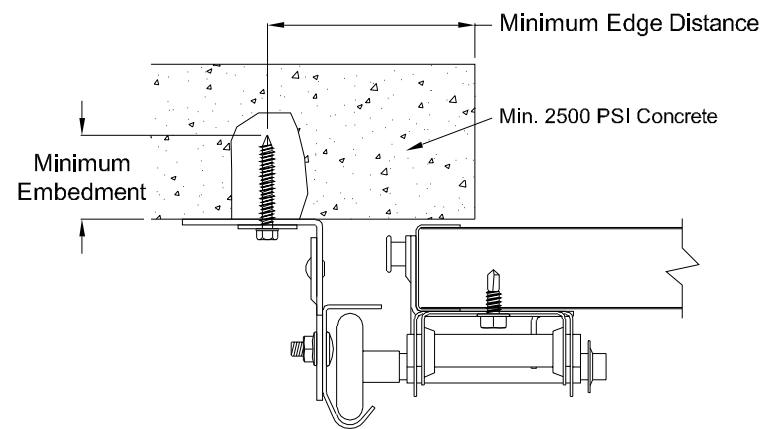
Bracket Mount Shown, Reverse and Continuous Angle Mount Also Approved As Alternate.

232 lbs. per anchor allowable load - 12 Ga Steel

569 lbs. per anchor allowable load - 3/16" Ga Steel
5/16"-12 Tek Self-Drilling Screw w/9/16" O.D. Flat Washer

12 Ga Maximum on Center Spacing: 11"

3/16" Maximum on Center Spacing: 24"



Direct Concrete Mounting Detail

Continuous Angle Clip Mount Shown, Bracket and Reverse Continuous Angle Mount Also Approved As Alternate.

562 lbs. per anchor allowable load

1/4" Dia. Concrete Self-Tapping & Wedge Anchor w/1" O.D. Flat Washer (Includes Tapcon+ (by ITW), Wedge-Bolt+ (by Powers Fasteners) & Red Head

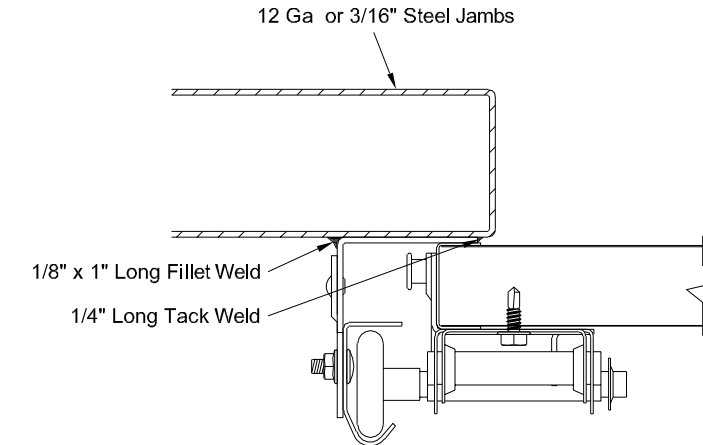
TruBolt wedge anchor (by ITW))

Minimum Embedment: 2"

Minimum Edge Distance: 2-1/2"

Minimum on Center Spacing: 5"

Maximum on Center Spacing: 24"



Direct Steel Mounting Detail

Reverse Continuous Angle Clip Mount Shown, Continuous Angle Mount Also Approved As Alternate.

1272 lbs. per anchor allowable load

1/8" Nom. x 1" Long Fillet and 1/4" Long Tack Weld (E60xx Electrodes Min.)

Welds performed by a certified welder or inspected by a certified welding inspector to verify integrity of the welds.

Maximum on Center Spacing: Apply welds at each roller location not to exceed 24"

IMPACT RESISTANT

John E. Scates, P.E.
2560 King Arthur Blvd. Ste 124-54
Lewisville, Texas 75056
Texas P.E. 56308/F2203

Professional Engineer seal provided only for verification of wind load construction details.



DESCRIPTION:
10' 2" HT 5000 ALUMINUM SERIES
WIND LOAD SECTIONAL DOOR
DESIGN PRESSURE +48.0/-52.0 PSF

DRAWING NO.: WLTI-5000-0122-08-48-52 **REV.** A

DATE DRN: 11/17/18 **DRAWN BY:** MVS **REV. DATE:** 2/22/22

MODEL(S): See Sheet 3 **SHEET:** 4 OF 4

320 Sycamore
Wauseon, Ohio 43567
© Copyright 2014