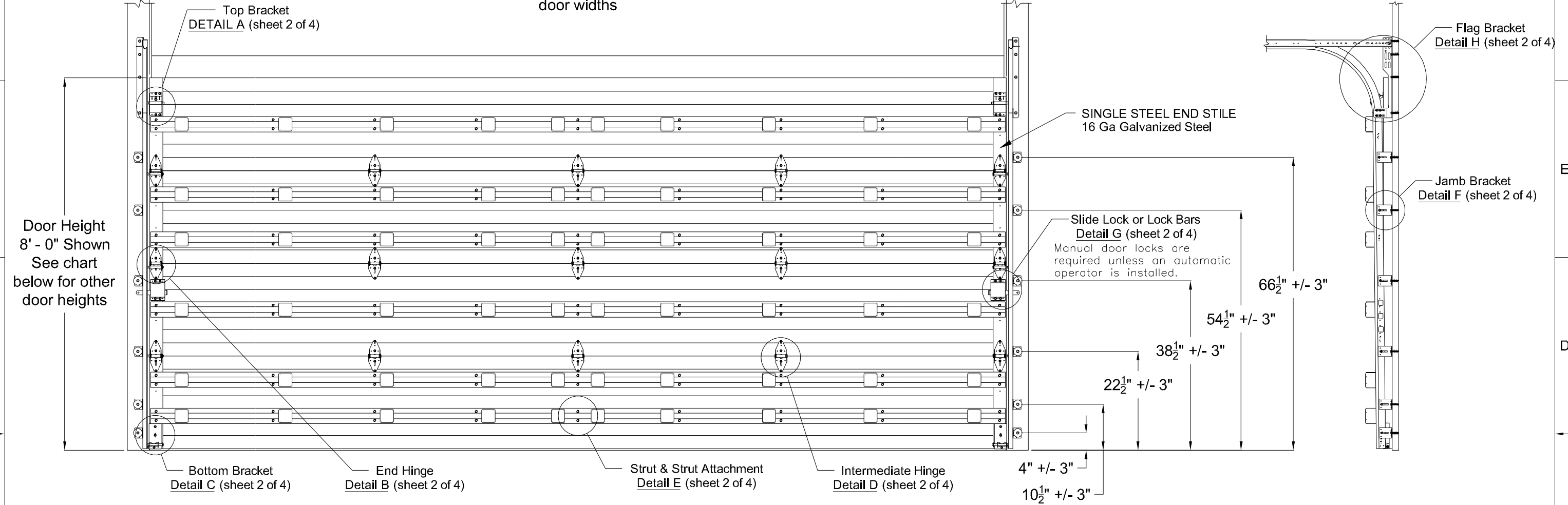


Door Width 16' - 2" Shown  
See chart below for other door widths

NOTE: Track configuration above the door opening does not affect the wind load rating of the door.



This product has been evaluated per ANSI/DASMA 108 for static air pressure.  
This product has been evaluated per ANSI/DASMA 115 for large missile impact and cyclic wind pressure.

Jamb bracket quantities shown are for use with grade 2 or better southern pine jambs.  
Supporting structural elements are to be designed by a registered professional engineer for specific wind loads.

Model Number	
HT_60 & 2_60 SERIES	
HT_61 & 2_61 SERIES	
HT_63 & 2_63 SERIES	
HT_64 & 2_64 SERIES	
HT_70 & 2_70 SERIES	
HT_71 & 2_71 SERIES	
HT_72 & 2_72 SERIES	
HT_73 & 2_73 SERIES	
HT_74 & 2_74 SERIES	
HT_80 & 2_80 SERIES	
HT_81 & 2_81 SERIES	
HT_82 & 2_82 SERIES	
HT_83 & 2_83 SERIES	
HT_84 & 2_84 SERIES	
HT_85 & 2_85 SERIES	
HT_86 & 2_86 SERIES	
HT_87 & 2_87 SERIES	
HT_88 & 2_88 SERIES	
HT_89 & 2_89 SERIES	
HT_90 & 2_90 SERIES	
American Tradition 900/9000 SERIES	
HT_10 & 2_10 SERIES	
HT_12 & 2_12 SERIES	
HT_14 & 2_14 SERIES	
HT_16 & 2_16 SERIES	
HT_32 & 2_32 SERIES	
HT_33 & 2_33 SERIES	

Door Widths Up To	Design Pressures		End Backers	Minimum Center		Minimum Center		Minimum Center		Impact Resistant
	+ psf	- psf		Stiles	Hinges	Stiles	Hinges	Stiles	Hinges	
10'-2"	37.4	-41.7	Single	4	2	3	1	3	1	YES
12'-2"	37.4	-41.7	Single	5	2	5	2	5	2	YES
14'-2"	37.4	-41.7	Single	6	4	5	2	7	3	YES
16'-2"	37.4	-41.7	Single	7	3	7	3	7	3	YES

Door Height	Total # of Sections	Total # of Struts	Jamb Brkts/Side
6'-0"	3	5	5
6'-0"	4	6	5
6'-3"	4	6	5
6'-6"	4	6	6
6'-9"	4	6	6
7'-0"	4	6	6
7'-3"	4	6	6
7'-6"	4	6	6
7'-6"	5	8	6
7'-9"	4	6	6
7'-9"	5	8	6
8'-0"	4	6	6
8'-0"	5	8	6

**NOTICE:**  
These drawings are a supplement to the installation instructions for a standard door and only covers those procedures that vary from standard door installation. If these specific procedures are not followed, the door may not perform as designed.

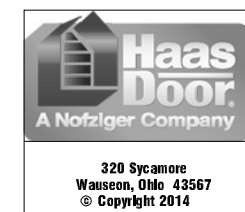
**IMPACT RESISTANT**

John E. Scates, P.E.  
2560 King Arthur Blvd. Ste 124-54  
Lewisville, Texas 75056  
Texas P.E. 56308/F2203

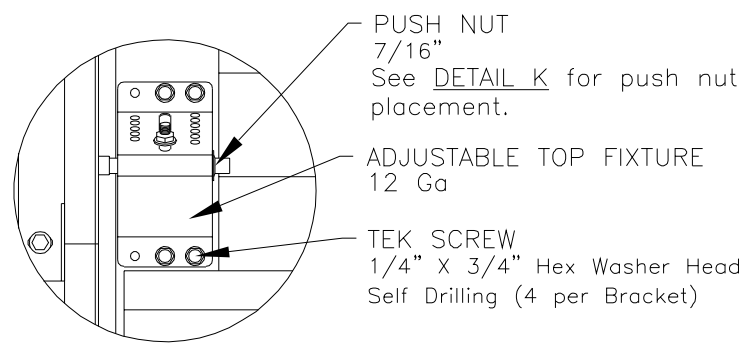
COMPLIES WITH IBC/IRC 2018 Professional Engineer seal provided only for verification of wind load construction details.

This product is available in narrower sizes with the same PSF and constructed as shown.  
This product is designed and sold by PSF. The AHJ or Engineer of Record is responsible for determining the PSF required for any given site.

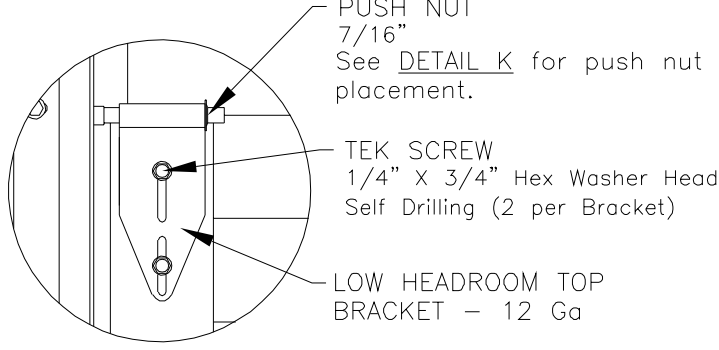
Maximum section height is 24 in.  
Maximum door height is 20 ft.  
All doors, even those above the tested height, are available with jamb brackets or commercial full angle. The maximum spacing of the jamb brackets/track clips should be maintained.



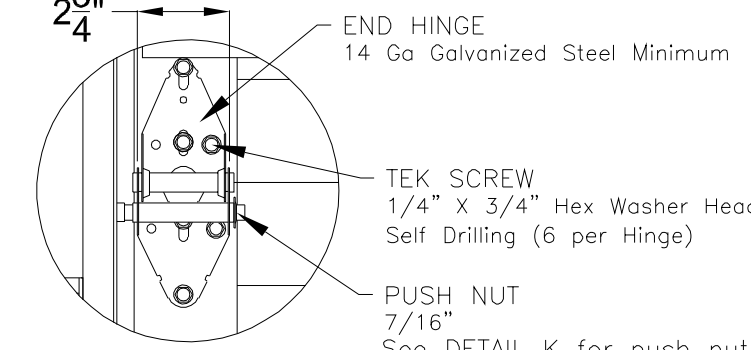
<b>DESCRIPTION:</b> 16' 2" HT 600, 700, 2000, 800 & 900/9000 AMERICAN TRADITION SERIES WIND LOAD SECTIONAL DOOR DESIGN PRESSURE +37.4/-41.7 PSF			
<b>DRAWING NO.:</b> WLTl-0600-0194-08-37-42	<b>REV.:</b> A		
<b>DRAWN BY:</b> MVS	<b>DATE DRAWN:</b> 10/25/18	<b>REV. DATE:</b> 2/28/22	
<b>MODEL(S):</b> See Sheet 3	<b>SHEET: 1 OF 4</b>		



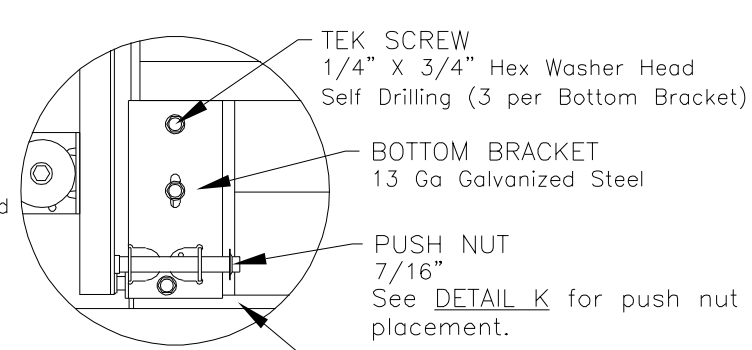
**DETAIL A**



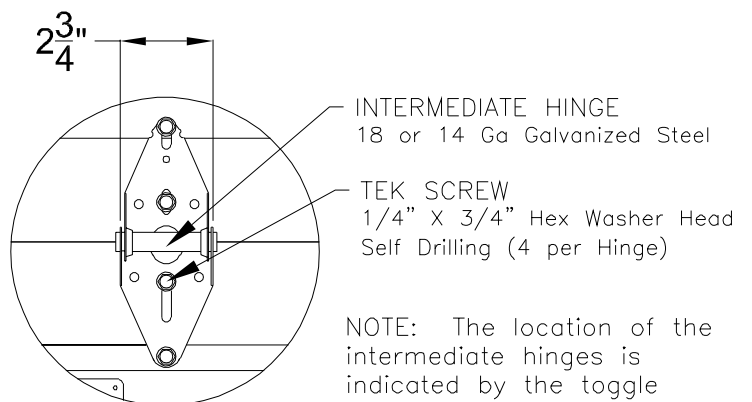
**LOW HEADROOM TOP BRACKET**



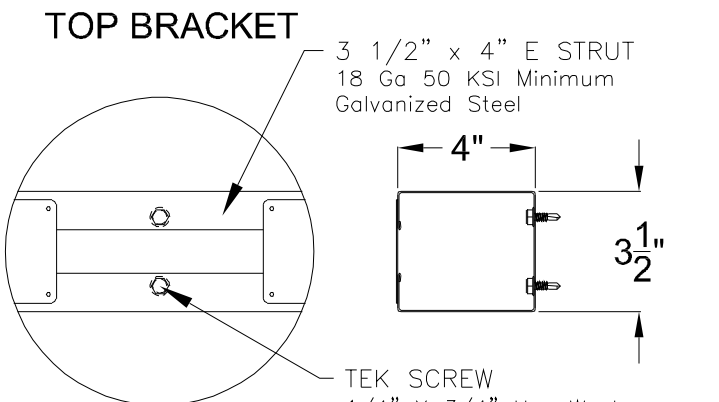
**DETAIL B**



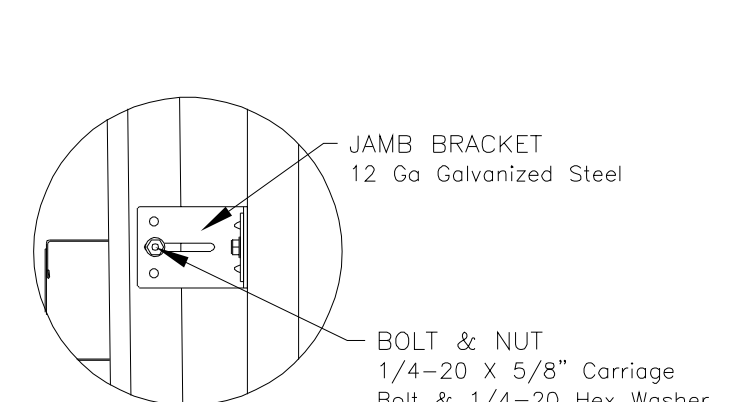
**DETAIL C**



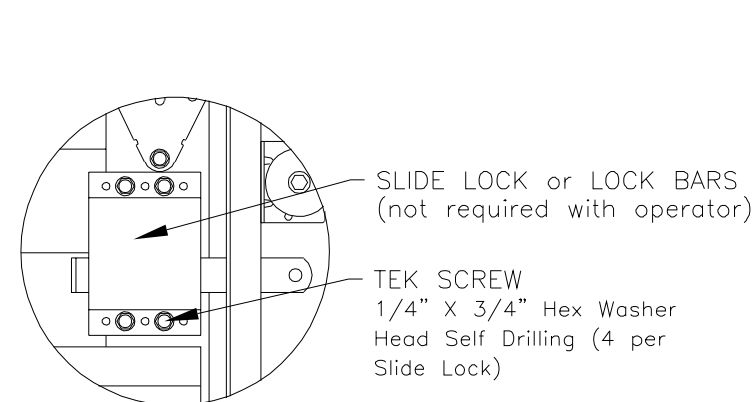
**DETAIL D**



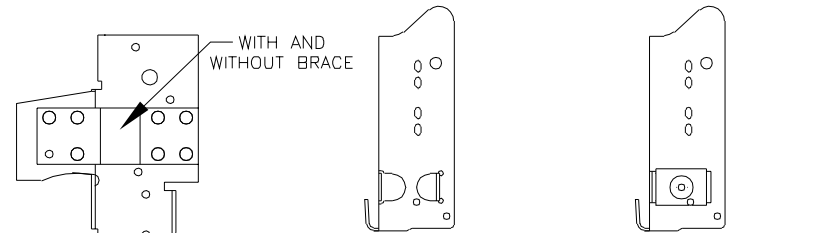
**DETAIL E**



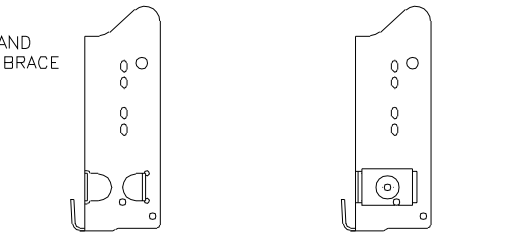
**DETAIL F**



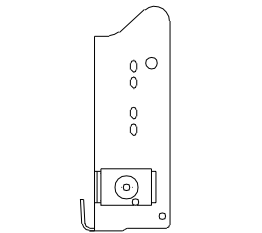
**DETAIL G**



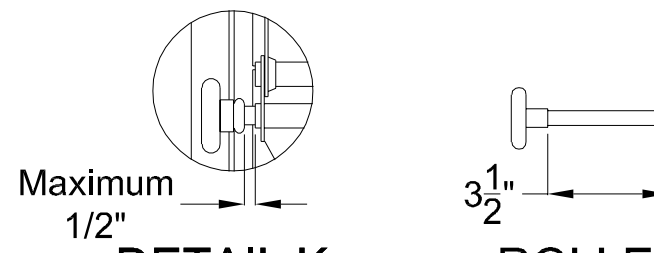
**RESIDENTIAL & LIGHT COMMERCIAL**  
For Low Headroom With 2" Track and Single End Stiles



**COMMERCIAL**  
For Standard, High & Vertical Lift With 2" Track and Single End Stiles

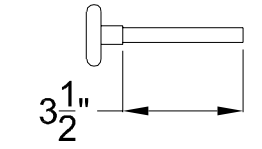


**COMMERCIAL**  
For Standard, High & Vertical Lift With 3" Track and Single End Stiles



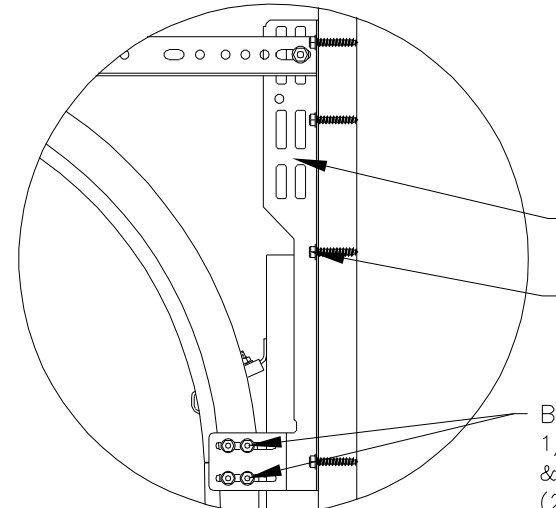
**DETAIL K**

There should be a space of maximum 1/2" between the roller hub and the outside edge of the roller holder which is set by the push nut.



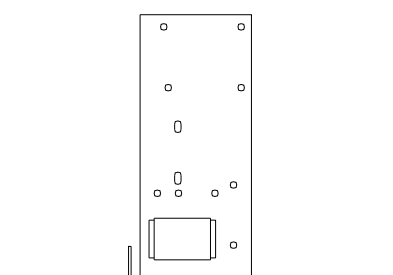
**ROLLER**

2" Diameter Nominal Eleven Ball Nylon or Ten Ball Steel with a Minimum Workable Shaft Length Shown.

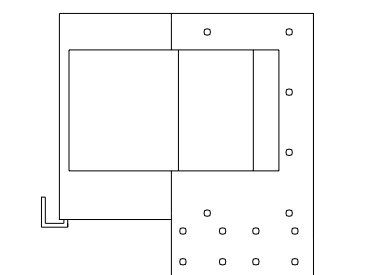


**DETAIL H**

NOTE: Details on some views omitted for clarity. Double end stiles and end hardware may be provided on wider or heavier doors.



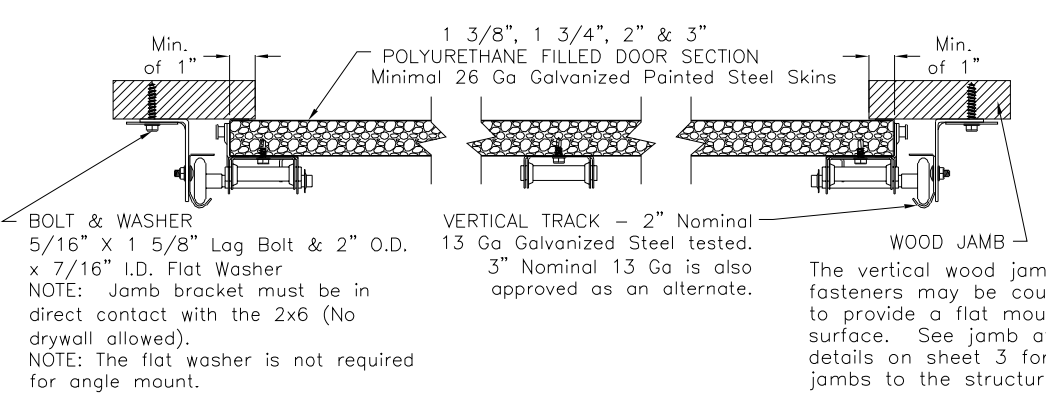
**COMMERCIAL HEAVY DUTY**  
For Standard, High & Vertical Lift With 3" Track and Double End Stiles



**COMMERCIAL HEAVY DUTY**  
For Low Headroom With 3" Track and Double End Stiles

**ALTERNATE BOTTOM BRACKETS**

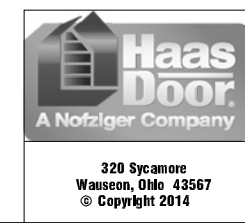
NOTE: The bottom bracket tested (shown in DETAIL C) is the lightest bracket available.



**IMPACT RESISTANT**

John E. Scates, P.E.  
2560 King Arthur Blvd. Ste 124-54  
Lewisville, Texas 75056  
Texas P.E. 56308/F2203

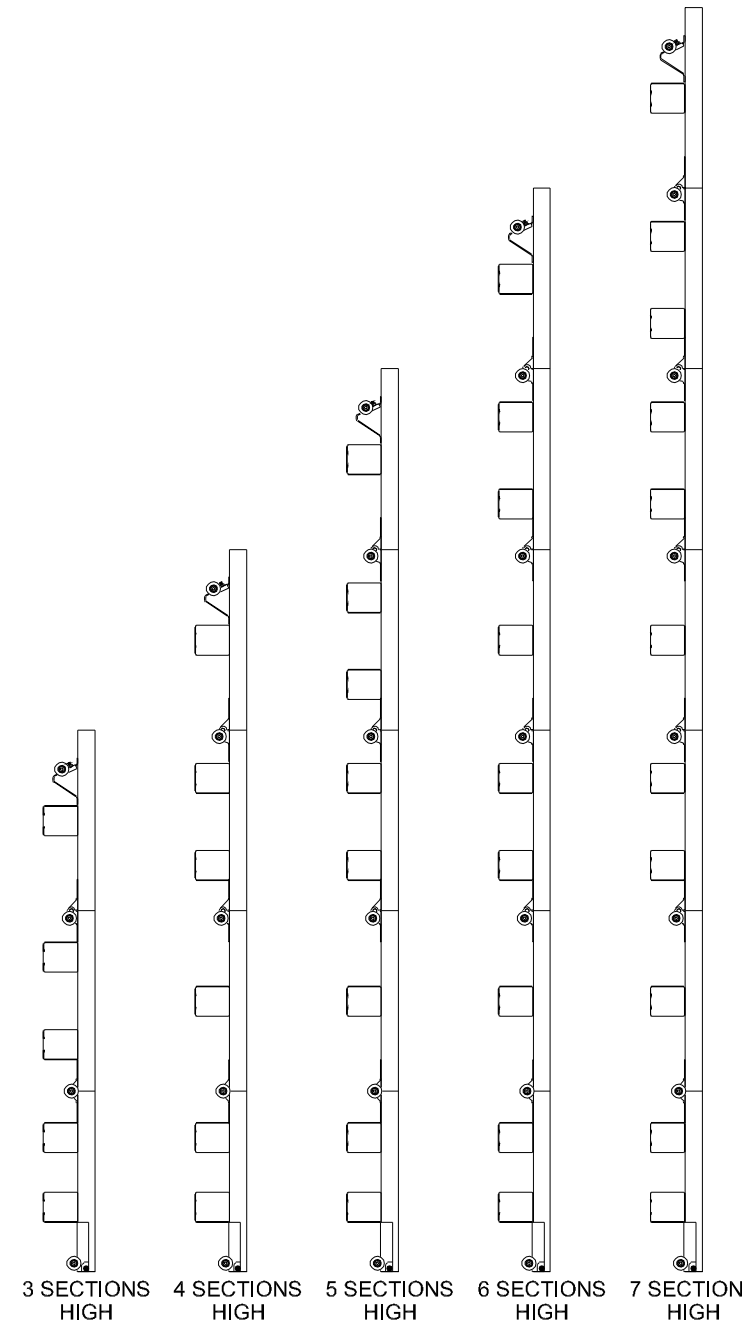
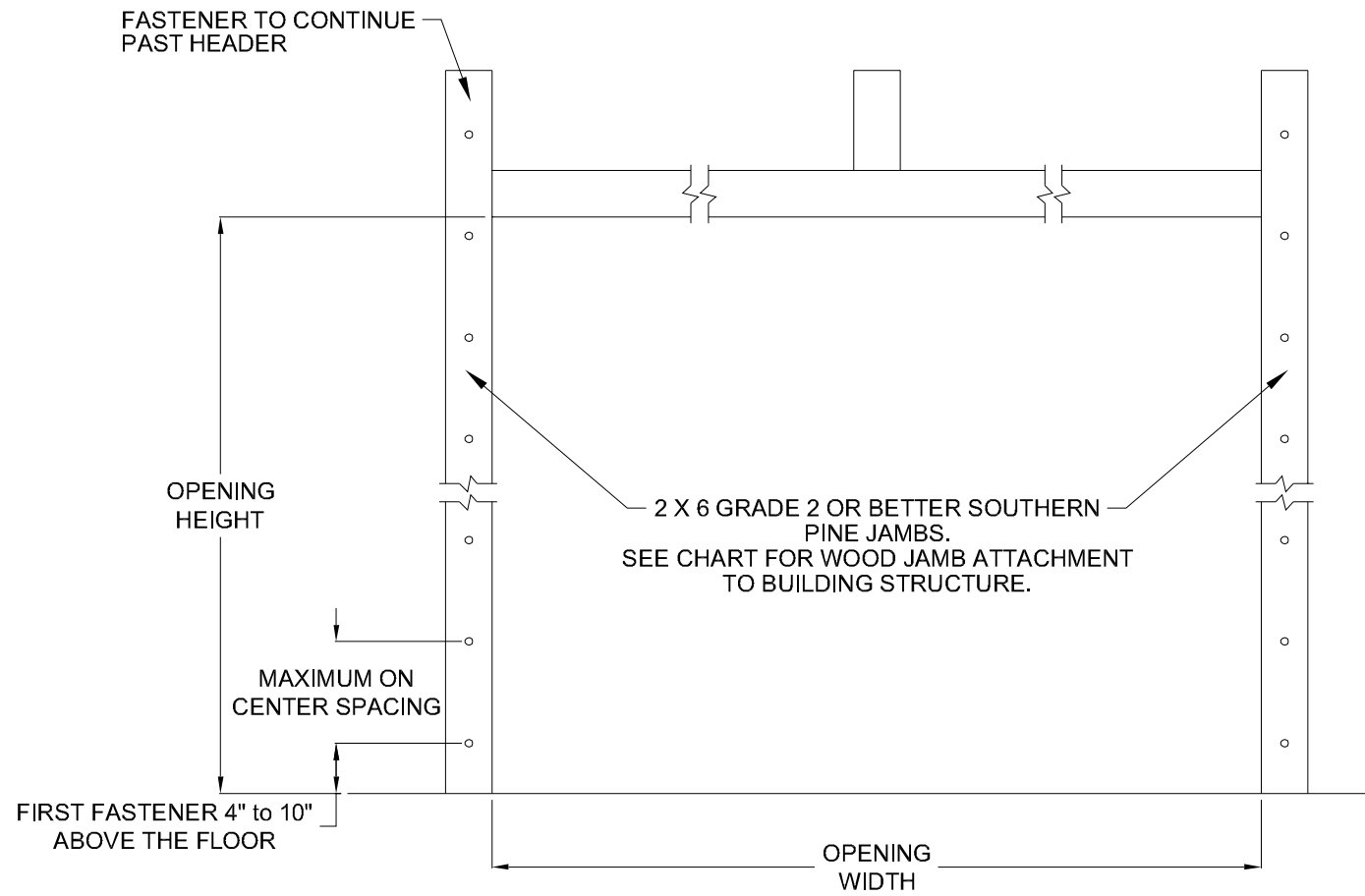
Professional Engineer seal provided only for verification of wind load construction details.



<b>DESCRIPTION:</b> 16' 2" HT 600, 700, 2000, 800 & 900/9000 AMERICAN TRADITION SERIES WIND LOAD SECTIONAL DOOR DESIGN PRESSURE +37.4/-41.7 PSF			
<b>DRAWING NO.:</b> WLTI-0600-0194-08-37-42	<b>REV.:</b> A		
<b>DRAWN BY:</b> MVS	<b>DATE DRAWN:</b> 10/25/18	<b>REV. DATE:</b> 2/28/22	
<b>MODEL(S):</b> See Sheet 3	<b>SHEET: 2 OF 4</b>		

# MODEL NUMBERS

MODEL NUMBERS AVAILABLE
HT_14 & 2_14 SERIES
HT_16 & 2_16 SERIES
HT_32 & 2_32 SERIES
HT_33 & 2_33 SERIES
HT_10 & 2_10SERIES
HT_12 & 2_12 SERIES
HT_60 & 2_60 SERIES
HT_61 & 2_61 SERIES
HT_63 & 2_63 SERIES
HT_64 & 2_64 SERIES
HT_70 & 2_70 SERIES
HT_71 & 2_71 SERIES
HT_72 & 2_72 SERIES
HT_73 & 2_73 SERIES
HT_74 & 2_74 SERIES
HT_80 & 2_80 SERIES
HT_81 & 2_81 SERIES
HT_82 & 2_82 SERIES
HT_90 & 2_90 SERIES
American Tradition 900/9000 SERIES



## STRUT CONFIGURATION

## IMPACT RESISTANT

WOOD JAMB ATTACHMENT						
Building Structure	Fastener Type	Minimum Embedment	Minimum Edge Distance	Minimum on Center Spacing	Maximum on Center Spacing	Allowable Tension Load
Min. 2500 PSI to 4000 PSI Concrete	Tapcon + (PLUS) 1/4" w/ 1" OD washer	2"	2.50"	5.00"	21"	551
Southern Pine	3/8" Lag w/ 1 1/8" OD washer	1.50"	1.50"	1.50"	24"	620
Spruce Pine Fir	3/8" Lag w/ 1 1/8" OD washer	1.50"	1.50"	1.50"	19"	482

NOTE: 2X6 mounted to the wall must be Southern Pine Grade 2 or better.

John E. Scates, P.E.  
 2560 King Arthur Blvd. Ste 124-54  
 Lewisville, Texas 75056  
 Texas P.E. 56308/F2203

Professional Engineer seal provided only for verification of wind load construction details.



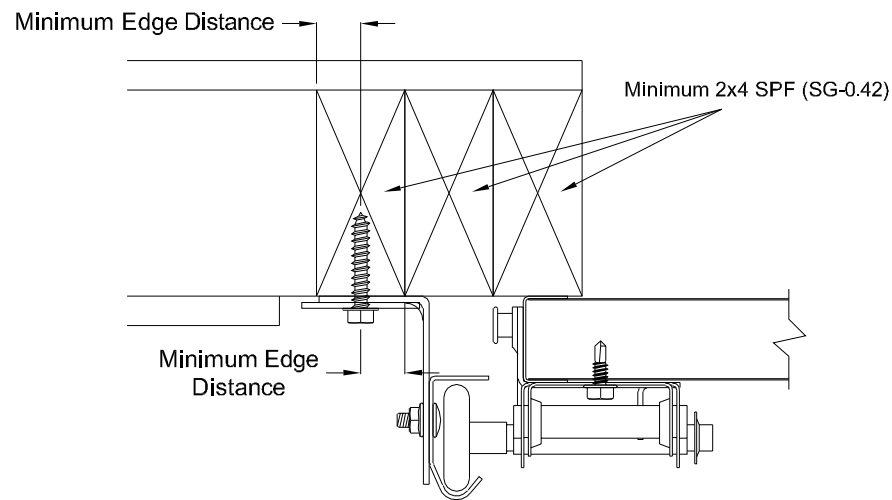
**DESCRIPTION:**  
 16' 2" HT 600, 700, 2000, 800 & 900/9000 AMERICAN TRADITION SERIES WIND LOAD SECTIONAL DOOR DESIGN PRESSURE +37.4/-41.7 PSF

**DRAWING NO.:** WLTl-0600-0194-08-37-42 **REV.:** A

**DRAWN BY:** MVS **DATE DRAWN:** 10/25/18 **REV. DATE:** 2/28/22

**MODEL(S):** See Sheet 3 **SHEET: 3 OF 4**

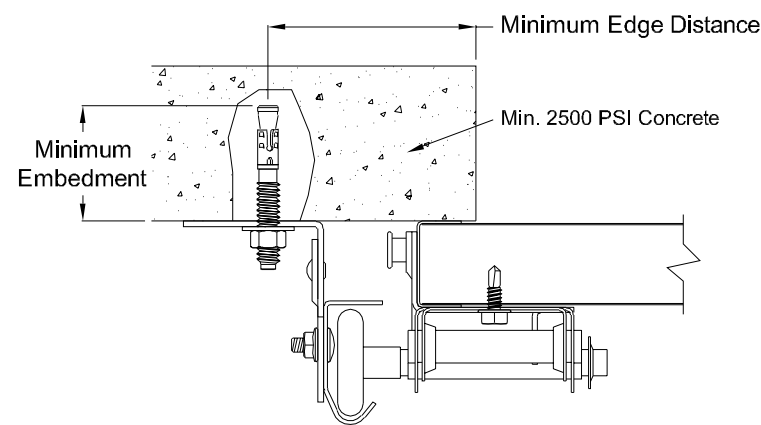
320 Sycamore  
 Wauseon, Ohio 43567  
 © Copyright 2014



### Direct Wood Mounting Detail

Bracket Mount Shown, Reverse and Continuous Angle Mount Also Approved As Alternate.

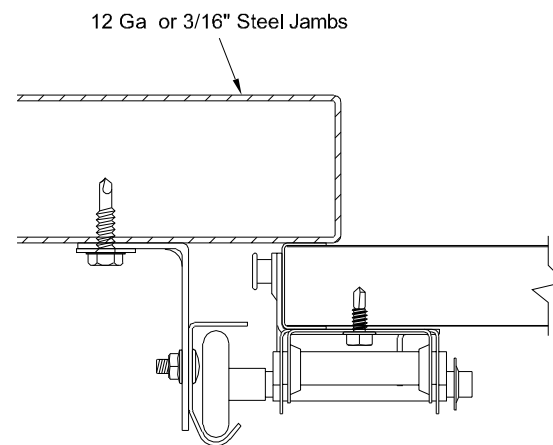
- 439 lbs. per anchor allowable load
- 5/16" Dia. Lag Screw w/1-1/8" O.D. Flat Washer (shall conform to ANSI/ASME standard B18.2.1)
- Minimum Screw Length: Spruce-Pine-Fur (SPF) - 2-1/2"  
Southern Pine - 1-5/8"
- Minimum Edge Distance: 1/2"
- Maximum on Center Spacing: 17"



### Direct Concrete Mounting Detail

Continuous Angle Clip Mount Shown, Bracket and Reverse Continuous Angle Mount Also Approved As Alternate.

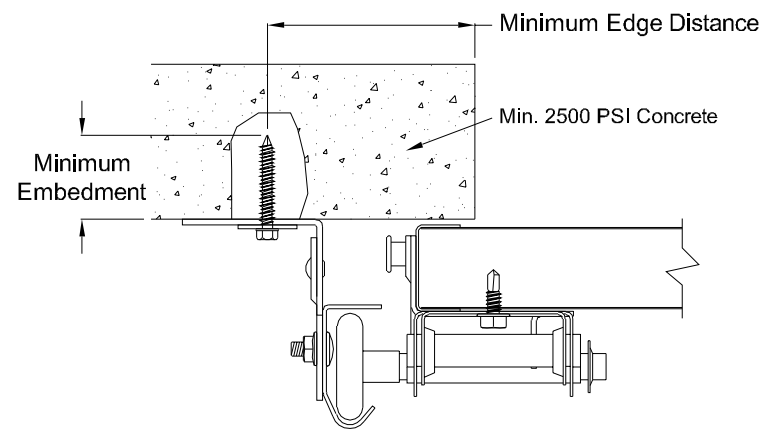
- 831 lbs. per anchor allowable load
- 3/8" Dia. Ankr-Tite CCAT w/1-1/8" O.D. Flat Washer (by Wej-It Fastening Systems)
- Minimum Embedment: 2-5/8"
- Minimum Edge Distance: 2-1/2"
- Minimum on Center Spacing: 6"
- Maximum on Center Spacing: 24"



### Direct Steel Mounting Detail

Bracket Mount Shown, Reverse and Continuous Angle Mount Also Approved As Alternate.

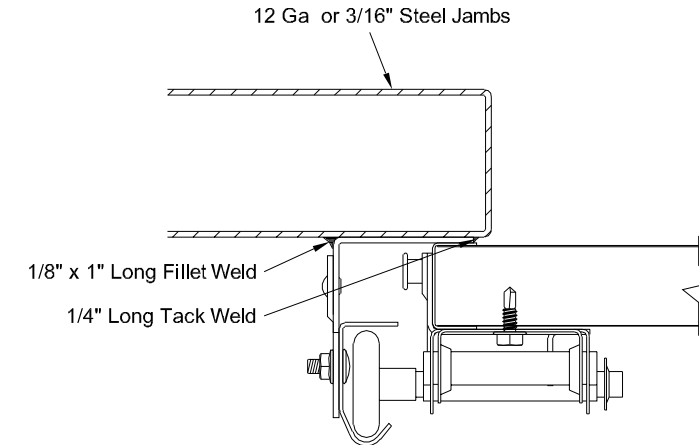
- 232 lbs. per anchor allowable load - 12 Ga Ste569el
- lbs. per anchor allowable load - 3/16" Ga Steel
- 5/16"-12 Tek Self-Drilling Screw w/9/16" O.D. Flat Washer
- 12 Ga Maximum on Center Spacing: 9"
- 3/16" Maximum on Center Spacing: 23"



### Direct Concrete Mounting Detail

Continuous Angle Clip Mount Shown, Bracket and Reverse Continuous Angle Mount Also Approved As Alternate.

- 562 lbs. per anchor allowable load
- 1/4" Dia. Concrete Self-Tapping & Wedge Anchor w/1" O.D. Flat Washer (Includes Tapcon+ (by ITW), Wedge-Bolt+ (by Powers Fasteners) & Red Head TruBolt wedge anchor (by ITW))
- Minimum Embedment: 2"
- Minimum Edge Distance: 2-1/2"
- Minimum on Center Spacing: 5"
- Maximum on Center Spacing: 22"



### Direct Steel Mounting Detail

Reverse Continuous Angle Clip Mount Shown, Continuous Angle Mount Also Approved As Alternate.

- 1272 lbs. per anchor allowable load
- 1/8" Nom. x 1" Long Fillet and 1/4" Long Tack Weld (E60xx Electrodes Min.)
- Welds performed by a certified welder or inspected by a certified welding inspector to verify integrity of the welds.
- Maximum on Center Spacing: Apply welds at each roller location not to exceed 24"

**IMPACT RESISTANT**

John E. Scates, P.E.  
2560 King Arthur Blvd. Ste 124-54  
Lewisville, Texas 75056  
Texas P.E. 56308/F2203

Professional Engineer seal provided only for verification of wind load construction details.



<b>DESCRIPTION:</b> 16' 2" HT 600, 700, 2000, 800 & 900/9000 AMERICAN TRADITION SERIES WIND LOAD SECTIONAL DOOR DESIGN PRESSURE +37.4/-41.7 PSF			
<b>DRAWING NO.:</b> WLTl-0600-0194-08-37-42	<b>REV.:</b> A		
<b>DRAWN BY:</b> MVS	<b>DATE DRAWN:</b> 10/25/18	<b>REV. DATE:</b> 2/28/22	
<b>MODEL(S):</b> See Sheet 3	<b>SHEET: 4 OF 4</b>		

320 Sycamore  
Wauseon, Ohio 43567  
© Copyright 2014