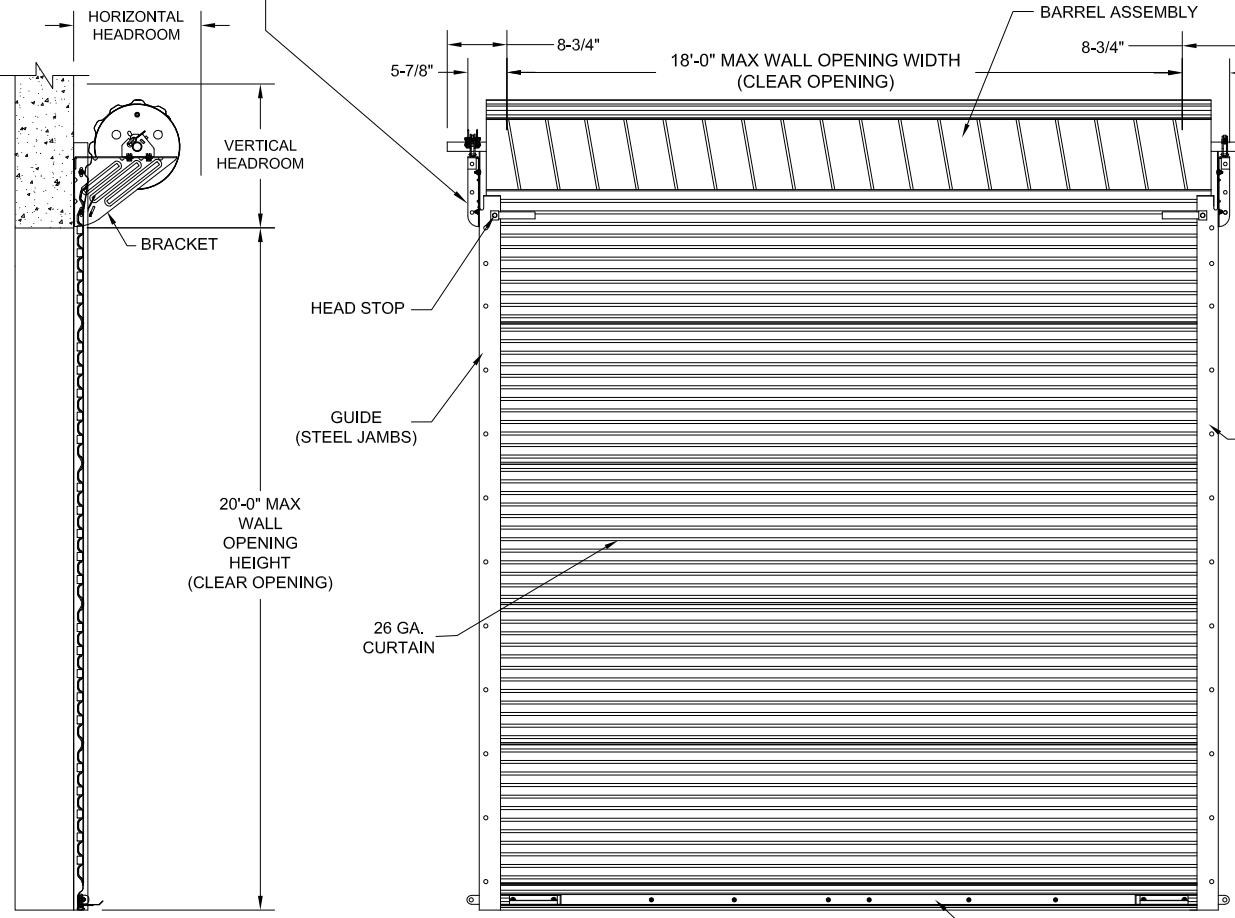


BRACKET ATTACHMENT
 CONCRETE/FILLED BLOCK: DEWALT SCREW-BOLT+, 3/8 X 1-3/4" LONG
 WOOD: LAG BOLT, 3/8 X 3" LONG
 STEEL: HEX BOLT, GR.5, 3/8-16 X 1-1/4" LONG

(*) FOR PUSH-UP OPERATION:.....5-7/8"
 FOR HAND CHAIN OPERATION:..6-5/8"
 FOR ELECTRIC OPERATION:.....7-3/8"
 FOR OUTSIDE OF CHAIN DRIVE:..8-1/8"
 NOTE: RIGHT SIDE DRIVE SHOWN



SIDE VIEW

INSIDE ELEVATION

3100 HEADROOM REQUIRED 1850 HEADROOM REQUIRED

OPENING HEIGHT	VERTICAL HEADROOM	HORIZONTAL HEADROOM	OPENING HEIGHT	VERTICAL HEADROOM	HORIZONTAL HEADROOM
THRU 8'-0"	20"	20"	THRU 8'-0"	19"	19"
OVER 8'-0" THRU 10'-0"	21"	21"	OVER 8'-0" THRU 10'-0"	20"	20"
OVER 10'-0" THRU 14'-0"	21-1/2"	21"	OVER 10'-0" THRU 14'-0"	20-1/2"	20"
OVER 14'-0" THRU 16'-0"	22"	22"			
OVER 16'-0" THRU 18'-0"	22"	22"			
OVER 18'-0" THRU 20'-0"	22"	22"			

GUIDE CONCRETE/FILLED BLOCK JAMBS

ALLOWABLE TRANSVERSE DESIGN WIND LOADS NON-IMPACT RATED SERIES 1850 & 3100 DOORS ONLY

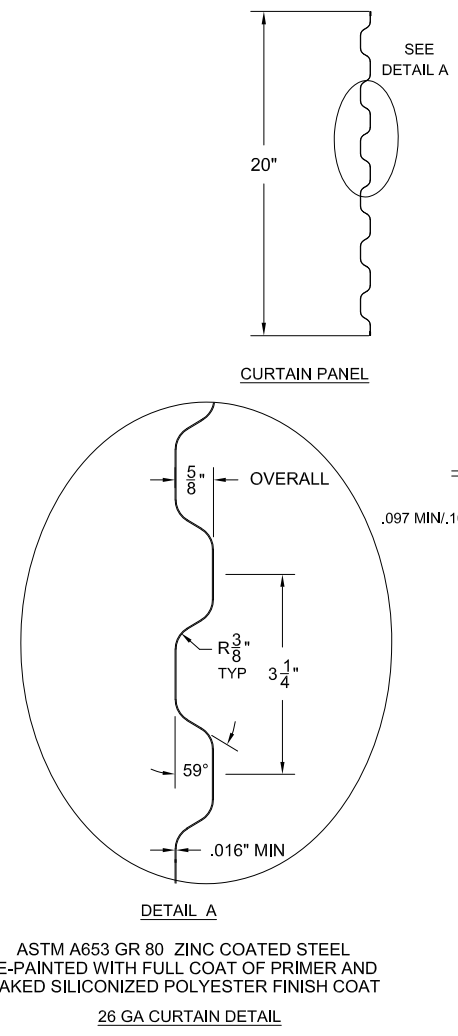
(PSF)

MAX OPENING WIDTH	MAX OPENING HEIGHT	DESIGN LOAD POSITIVE (PSF)	DESIGN LOAD NEGATIVE (PSF)
10'-0"	20'-0"	55.3	55.3
11'-0"	20'-0"	50.5	50.5
12'-0"	20'-0"	46.4	46.4
13'-0"	20'-0"	42.9	42.9
14'-0"	20'-0"	40.0	40.0
15'-0"	20'-0"	35.6	35.6
16'-0"	20'-0"	32.0	32.0
17'-0"	20'-0"	29.0	29.0
18'-0"	20'-0"	26.4	26.4

ALLOWABLE TRANSVERSE DESIGN WIND LOADS IMPACT RATED SERIES 1850-IM & 3100-IM DOORS ONLY

(PSF)

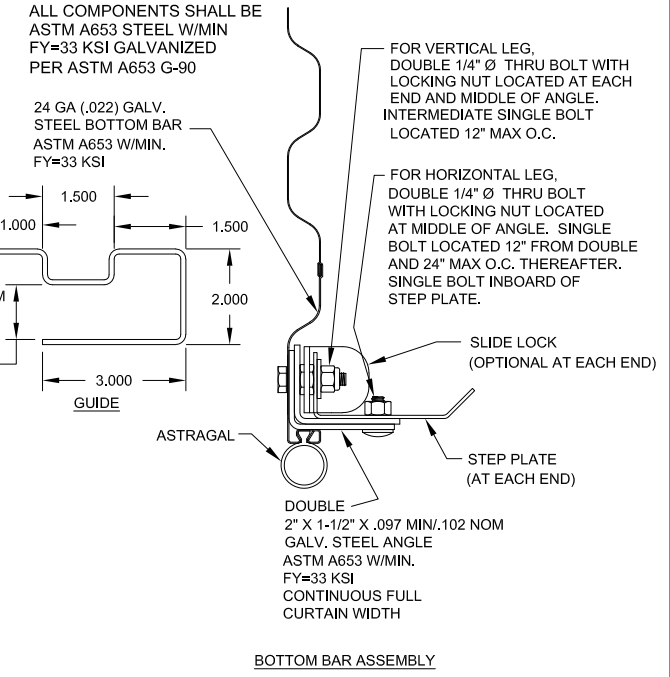
MAX OPENING WIDTH	MAX OPENING HEIGHT	DESIGN LOAD POSITIVE (PSF)	DESIGN LOAD NEGATIVE (PSF)
14'-0"	20'-0"	40.0	40.0



ASTM A653 GR 80 ZINC COATED STEEL PRE-PAINTED WITH FULL COAT OF PRIMER AND BAKED SILICONIZED POLYESTER FINISH COAT
26 GA CURTAIN DETAIL

REVISIONS

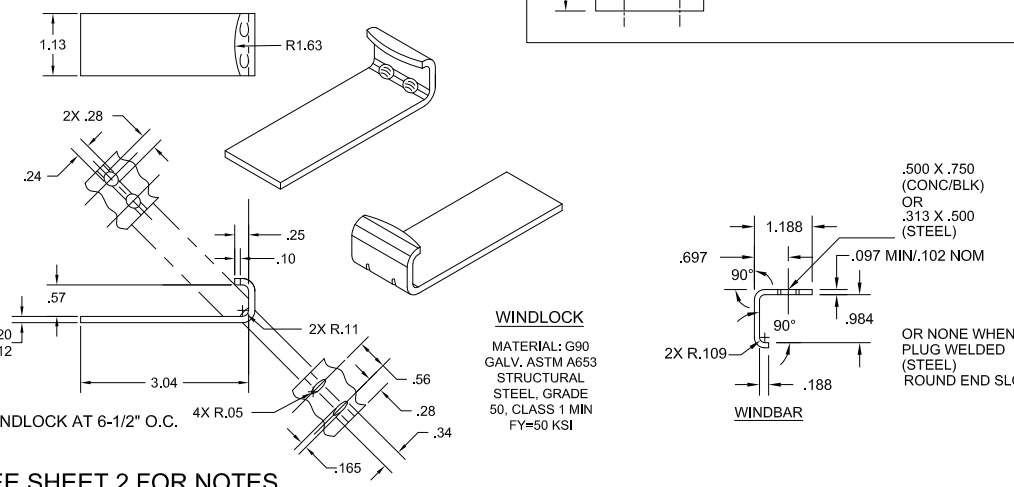
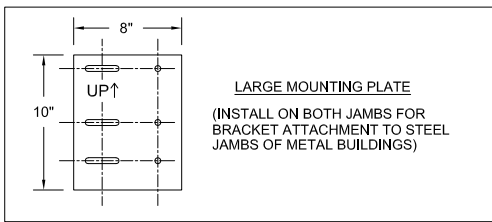
REV	DESCRIPTION	DATE	APPROVAL
	DRAWING RELEASE	4-28-18	CS
A	Added Table For Non-Impact Wind Load Ratings	8-09-18	SR
B	Editorial Changes	7-30-19	SR
C	Add 1850 & 1850-IM	8-7-2020	CS
D	ADD IBC/IRC 2018 COMPLIANCE TO NOTES	11-11-2021	BA



BOTTOM BAR ASSEMBLY

John E. Scates, P.E.
 2560 King Arthur Blvd, Ste 124-54
 Lewisville, TX 75056
 FL PE 51737_TX PE 56308/F2203

Professional Engineer's seal provided only for verification of windload construction details.
 Printed copies of this document are not considered signed and sealed and the signature must be verified on any electronic copies.



SEE SHEET 2 FOR NOTES

THESE CONFIDENTIAL DOCUMENTS SUBMITTED BY JANUS CONTAIN INFORMATION OF A PROPRIETARY NATURE AND MAY NOT BE REPRODUCED OR USED TO MANUFACTURE ANYTHING IN PART OR IN WHOLE FOR ANY PURPOSE OTHER THAN THAT WHICH IS NECESSARY FOR PREPARATION OF BIDS OF ENGINEERING WITHOUT THE EXPRESS PERMISSION OF JANUS WHICH MAY RECALL DOCUMENTS AT ANY TIME.

UNLESS OTHERWISE SPECIFIED DIMENSIONS ARE IN INCHES. TOLERANCES LISTED BELOW.

DECIMAL	FRACTIONS	ANGLES	HOLE DIAMETERS
X.XX	+/-0.030"	+/-1/16"	+/- 0° 30'
X.XXX	+/-0.005"		
			UNDER 0.251 +0.004 -0.003
			0.251 - 0.500 +0.006 -0.003
			OVER 0.500 +0.008 -0.003

PART NUMBER:
 MATERIAL:
 APPLIED FINISH:
 UNIT OF MEASURE:
 APPROVALS DATE
 DRAWN: SCOTT ROBILLARD 04-24-18
 CHECKED: CURT SCHROEDER 04-24-18
 APPROVED: CURT SCHROEDER 04-24-18

JANUS INTERNATIONAL GROUP, LLC.
 135 JANUS INTERNATIONAL BLVD TEMPLE, GA 30179
 770-562-2850/Fax 770-562-2264
 © 2018 Janus International Group, LLC. All Rights Reserved

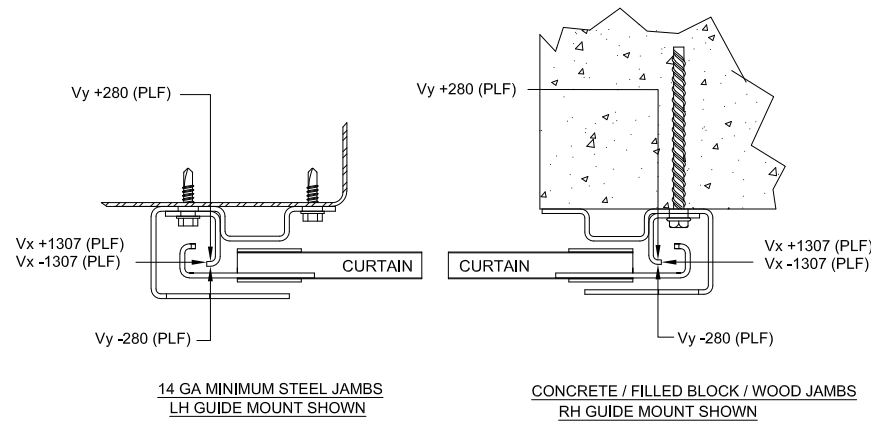
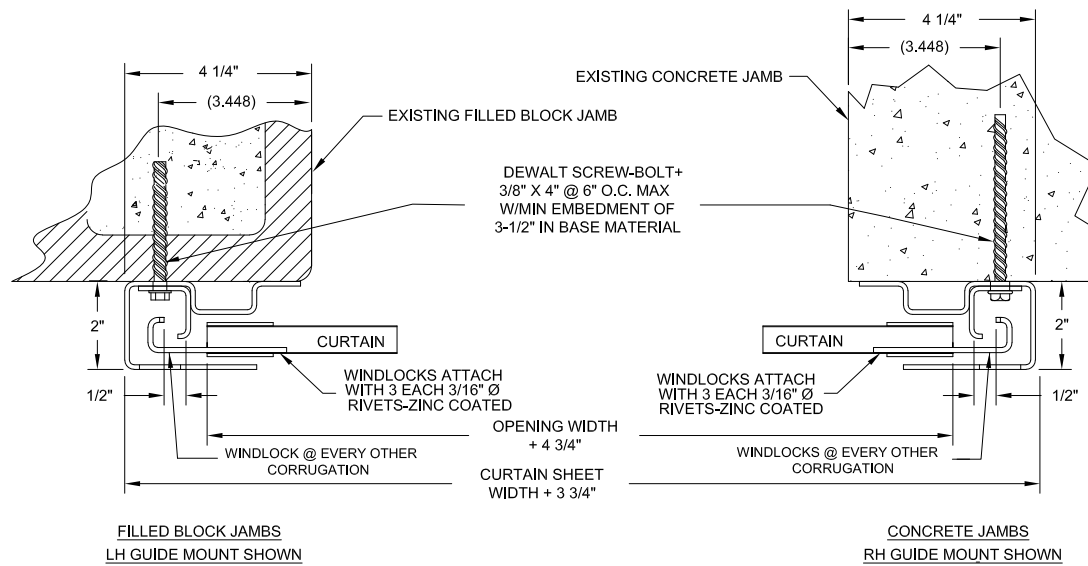
CERTIFIED WIND LOAD RATED 26 GA. SERIES 1850/1850-IM & 3100/3100-IM DOOR ASSEMBLY

SIZE **B** DRAWING NUMBER: **T1015TX** REV. **D**

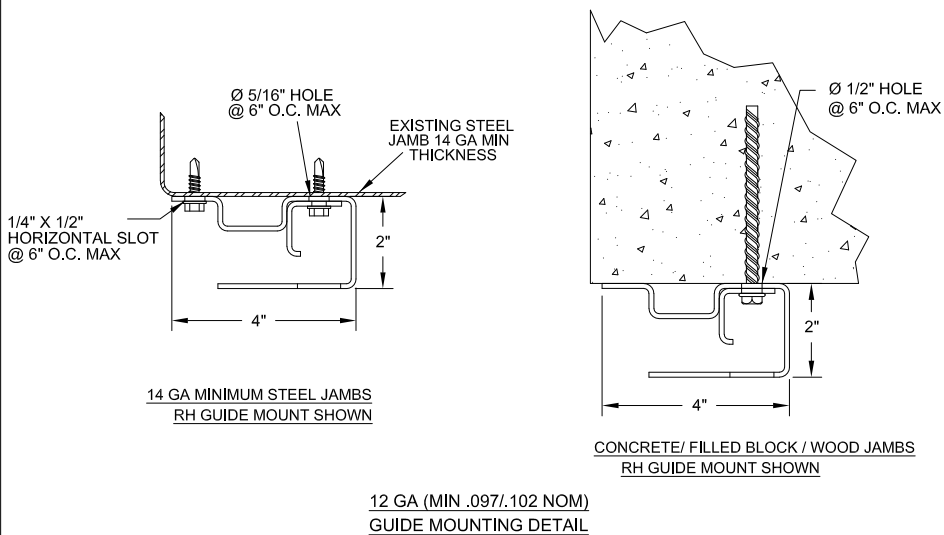
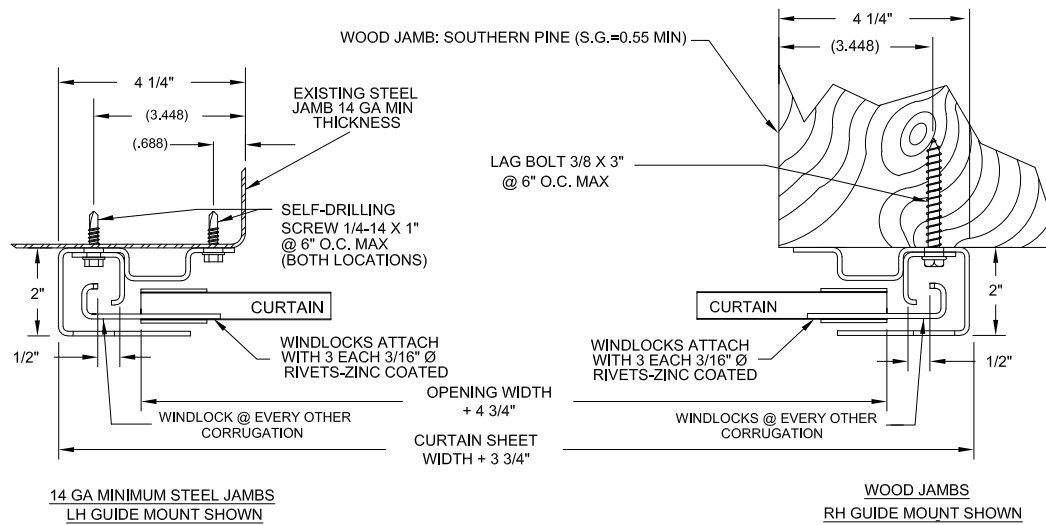
SCALE: NONE SHEET: 1 OF 2

GENERAL NOTES:

1. TESTING:
 - 1.1. TESTED PER DASMA 108 (STATIC) AND DASMA 115 (IMPACT AND CYCLIC).
 - 1.2. TESTING PERFORMED IN AN INDEPENDENT LAB.
 - 1.3. DESIGN PRESSURE: +40.0/-40.0 PSF AT 14'-0" OPENING WIDTH.
2. DESIGN WINDLOAD REQUIREMENTS FOR BUILDING OPENINGS SHALL BE DETERMINED BY OTHERS.
3. SUPERIMPOSED LOADS ON THE JAMBS FROM THIS DOOR ARE DESIGNATED AS Vx and Vy HEREIN. OTHERS SHALL VERIFY ADEQUACY OF BUILDING STRUCTURE TO RESIST SUPERIMPOSED LOADS Vx, Vy.
4. ALL WELDING SHALL BE PERFORMED BY QUALIFIED WELDERS IN ACCORDANCE WITH A.W.S. SPECIFICATIONS. WELDING ELECTRODES SHALL CONFORM TO A.W.S. A5.1 GRADE E-70
5. DOORS SHALL BE PROVIDED WITH LOCK MECHANISMS AT THE OPTION OF THE OWNER
6. ALL BOLTS AND WASHERS SHALL BE GALVANIZED OR STAINLESS STEEL WITH A MINIMUM TENSILE STRENGTH OF 60 KSI.
7. ANCHOR NOTES:
 - 7.1. EMBEDMENT LENGTH DOES NOT INCLUDE STUCCO FINISH.
 - 7.2. FOR HOLLOW BLOCK, FILL ALL CELLS @ANCHOR WITH 2000 PSI GROUT.
 - 7.3. CONCRETE TO BE 2500 PSI MIN.
 - 7.4. ANCHORS SHALL BE INSTALLED IN ACCORDANCE WITH MANUFACTURER'S SPECIFICATIONS
 - 7.5. APPROVED CONCRETE AND FILLED-CMU ANCHORS:
 - 7.5.1. 3/8" DEWALT SCREW-BOLT+
 - 7.5.2. 3/8" SIMPSON TITEN HD.
8. DOOR OPERATION TYPE MAY BE PUSH-UP, HAND CHAIN, OR ELECTRIC.
9. GUIDE-TO-JAMB ATTACHMENT FASTENERS BEGIN 4" FROM FLOOR AND END 4" BELOW THE TOP OF WALL OPENING.
10. COMPLIES WITH THE WINDLOAD REQUIREMENTS OF IBC/IRC 2018



SUPERIMPOSED LOAD DIAGRAM



THESE CONFIDENTIAL DOCUMENTS SUBMITTED BY JANUS CONTAIN INFORMATION OF A PROPRIETARY NATURE AND MAY NOT BE REPRODUCED OR USED TO MANUFACTURE ANYTHING IN PART OR IN WHOLE FOR ANY PURPOSE OTHER THAN THAT WHICH IS NECESSARY FOR PREPARATION OF BIDS OF ENGINEERING WITHOUT THE EXPRESS PERMISSION OF JANUS WHICH MAY RECALL DOCUMENTS AT ANY TIME.

UNLESS OTHERWISE SPECIFIED DIMENSIONS ARE IN INCHES. TOLERANCES LISTED BELOW.

DECIMAL	FRACTIONS	ANGLES	HOLE DIAMETERS
X.XX	+/-0.030"	+/-1/16"	+/- 0° 30'
X.XXX	+/-0.005"		
			UNDER 0.251
			0.251 - 0.500
			OVER 0.500

PART NUMBER:	
MATERIAL:	
APPLIED FINISH:	
UNIT OF MEASURE:	
APPROVALS	DATE
DRAWN: SCOTT ROBILLARD	04-24-18
CHECKED: CURT SCHROEDER	04-24-18
APPROVED: CURT SCHROEDER	04-24-18

JANUS INTERNATIONAL GROUP, LLC.
 135 JANUS INTERNATIONAL BLVD TEMPLE, GA 30179
 770-562-2850/Fax 770-562-2264
 © 2018 Janus International Group, LLC. All Rights Reserved

CERTIFIED WIND LOAD RATED 26 GA.
 SERIES 1850/1850-IM & 3100/3100-IM
 DOOR ASSEMBLY

SIZE B	DRAWING NUMBER: T1015TX	REV. D
SCALE: NONE	SHEET: 2	OF 2