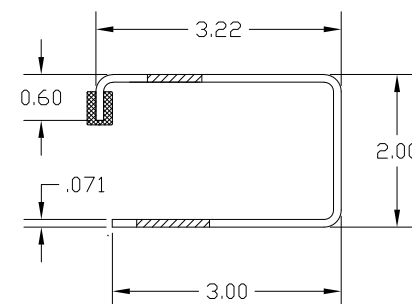


REVISIONS

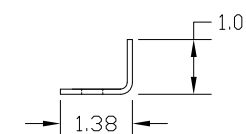
REV	DESCRIPTION	DATE	APPROVAL
-	RELEASE PER DRN		
1	NOTE ADD: IBC/IRC 2018 COMPLIANCE	8-2-22	B.D.A.

MINIMUM HEADROOM DIMENSIONS

OPENING HEIGHT	THRU 8'-0"	OVER 8'-0" THRU 10'-0"	OVER 10'-0" THRU 14'-0"	OVER 14'-0" THRU 16'-0"	OVER 16'-0" THRU 18'-0"	OVER 18'-0" THRU 20'-0"
VERTICAL HEADROOM	18"	20"	21"	22"	23"	24"
HORIZONTAL HEADROOM	19"	21"	22"	23"	24"	25"

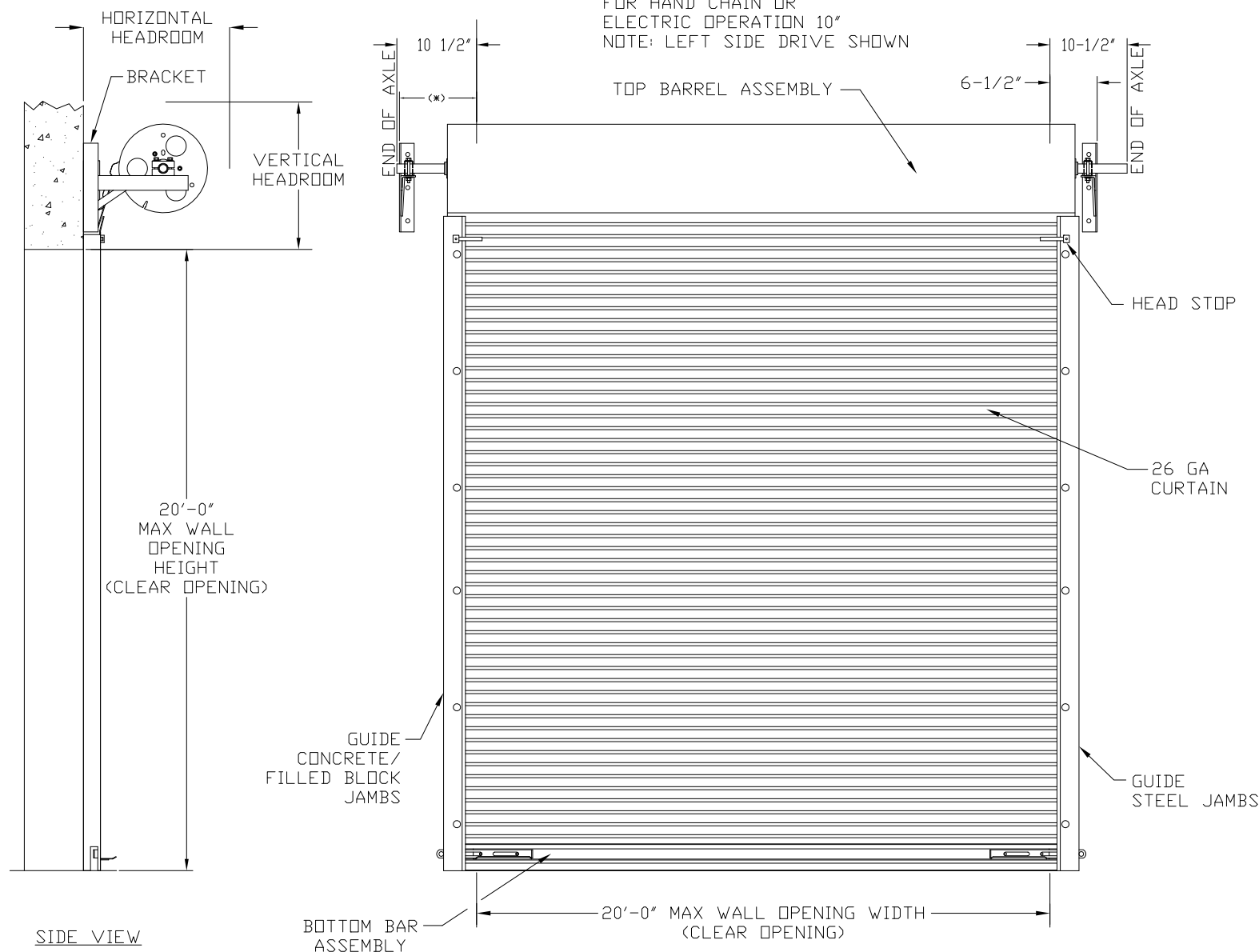


ASTM A653 GALVANIZED CS TYPE B GUIDE DETAIL



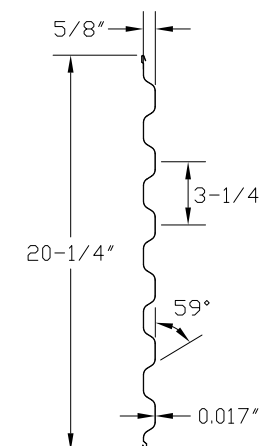
ASTM A653 GALVANIZED CS TYPE B WINDBAR DETAIL

(\* ) FOR PUSH-UP OPERATION 6-1/2" FOR HAND CHAIN OR ELECTRIC OPERATION 10" NOTE: LEFT SIDE DRIVE SHOWN

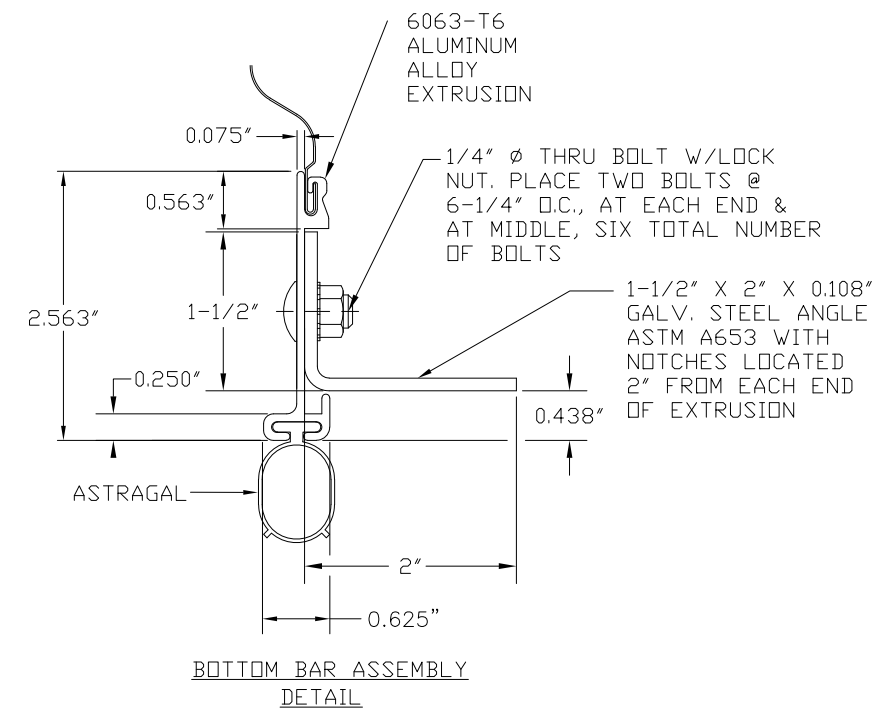


SIDE VIEW

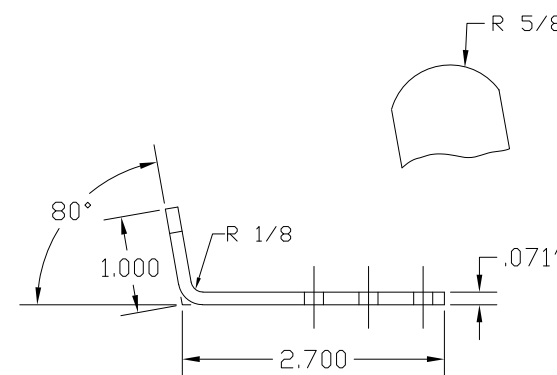
INSIDE ELEVATION



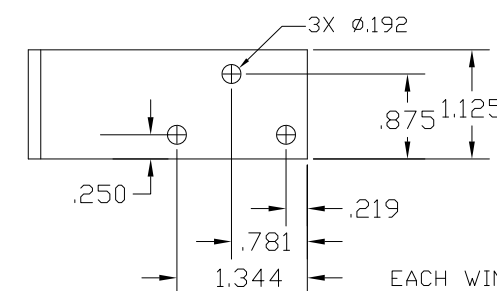
ASTM A653 GRADE 80 WITH FULL COAT OF PRIMER AND BAKED POLYESTER FINISH COAT TYPICAL PANEL (26 GA.) DETAIL



BOTTOM BAR ASSEMBLY DETAIL



WINDLOCK DETAIL



EACH WINDLOCK IS ATTACHED TO CURTAIN WITH THREE STEEL RIVETS WITH THE BODY 3/16" DIA.

JOHN E. SCATES, P.E.  
2560 King Arthur Blvd, Ste 124-54  
Lewisville, TX 75056

FL PE 51737  
TX PE 56308/F-2203

PRINTED COPIES OF THIS DOCUMENT ARE NOT CONSIDERED SIGNED AND SEALED AND THE SIGNATURE MUST BE VERIFIED ON ANY ELECTRONIC COPIES.

THESE CONFIDENTIAL DOCUMENTS SUBMITTED BY DBCI CONTAIN INFORMATION OF A PROPRIETARY NATURE AND MAY NOT BE REPRODUCED OR USED TO MANUFACTURE ANYTHING IN PART OR IN WHOLE FOR ANY PURPOSE OTHER THAN THAT WHICH IS NECESSARY FOR PREPARATION OF BIDS OR ENGINEERING WITHOUT THE EXPRESS PERMISSION OF DBCI WHICH MAY RECALL DOCUMENTS AT ANY TIME.

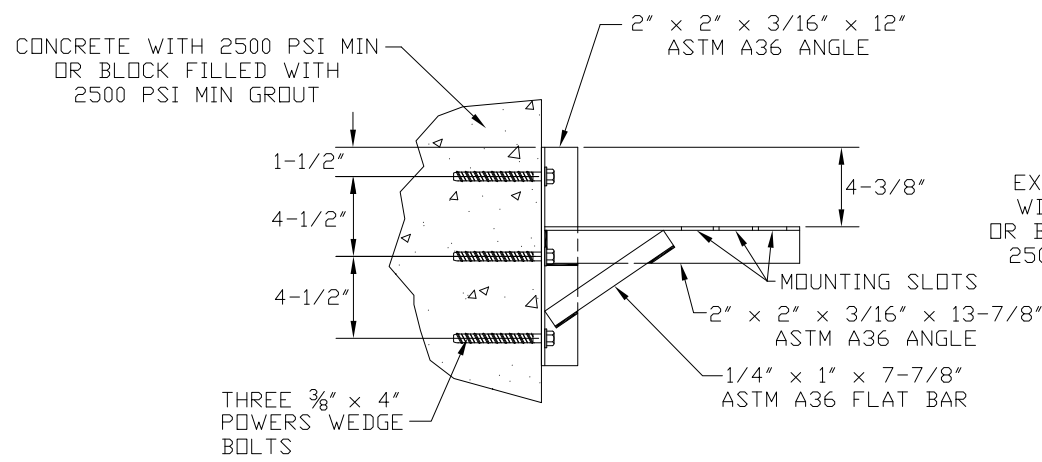
PART NUMBER: N/A	
MATERIAL: N/A	
APPLIED FINISH: N/A	
UNIT OF MEASURE: N/A	
APPROVALS	DATE:
DRAWN BRAY ALLEN	09/15/14
CHECKED	
APPROVED	

**DBCI** DOORS & BUILDING COMPONENTS  
DOUGLASVILLE, GA CHANDLER, AZ HOUSTON, TX  
©2000 DBCI ALL RIGHTS RESERVED

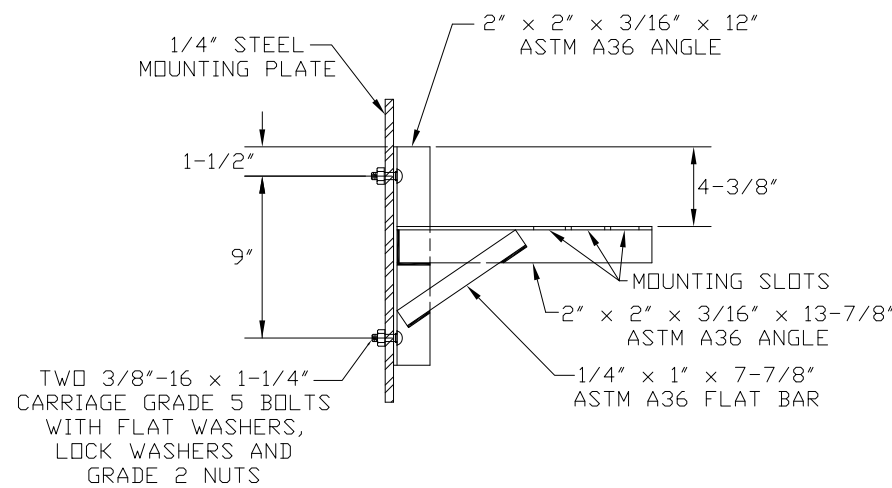
26 GA. WIND LOAD, MAX. SIZE 16'-0" x 20'-0"

3000 DOOR ASSEMBLY

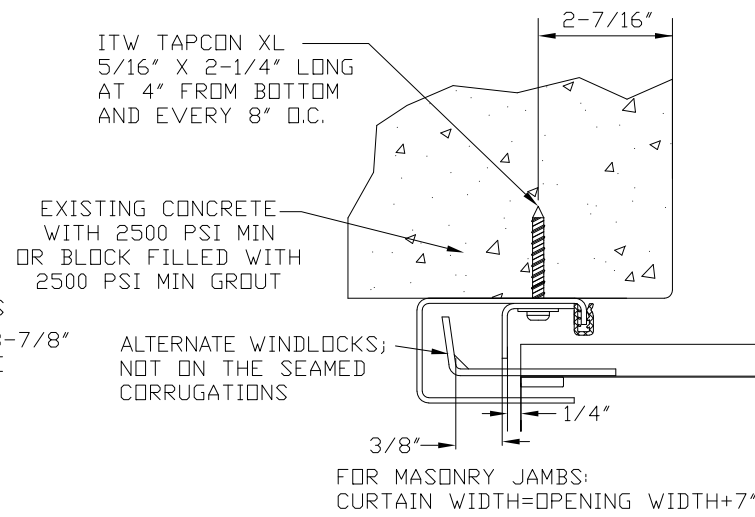
SIZE B	DRAWING NUMBER -3000-14-0001	REV. 1
SCALE: NONE	SHEET 1	OF 2



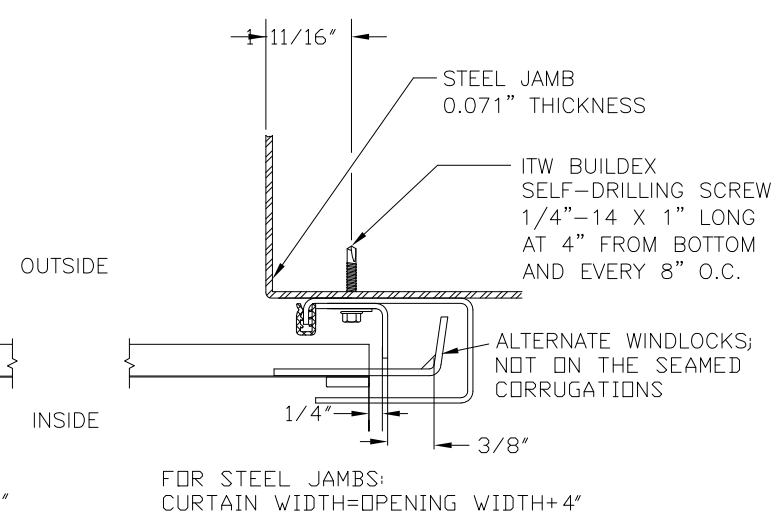
DOOR MOUNTING BRACKET TO MASONRY DETAIL



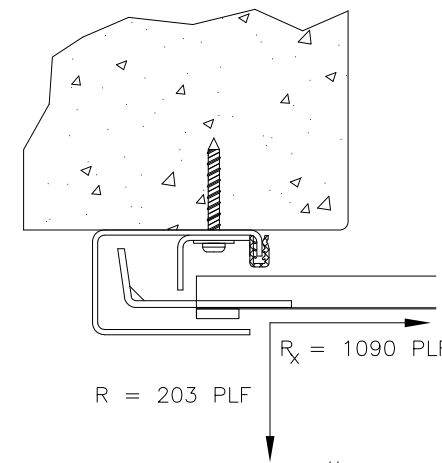
DOOR MOUNTING BRACKET TO STEEL DETAIL



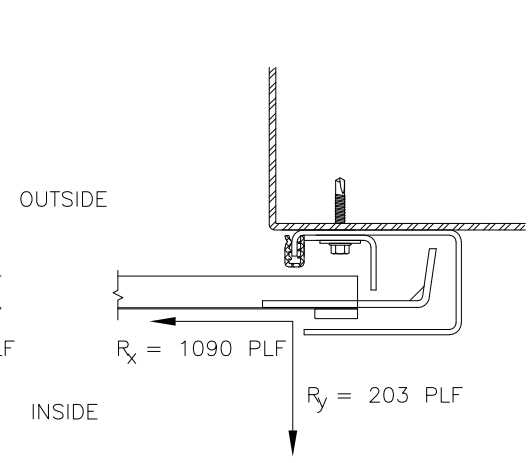
CONCRETE/FILLED BLOCK JAMBS  
LH GUIDE MOUNT SHOWN



STEEL JAMBS  
RH GUIDE MOUNT SHOWN



CONCRETE/FILLED BLOCK JAMBS  
LH GUIDE MOUNT SHOWN



STEEL JAMBS  
RH GUIDE MOUNT SHOWN

SUPERIMPOSED LOAD DIAGRAM

GENERAL NOTES:

1. THIS DOOR EVALUATED IN ACCORDANCE WITH TEST METHODS ASTM E330-02 AND ANSI/DASMA 108.
2. THIS PRODUCT EVALUATION IS GENERIC. IT DOES NOT INCLUDE INFORMATION PREPARED FOR A SPECIFIC SITE.
3. IT IS THE RESPONSIBILITY OF OTHER, TO VERIFY THE STRUCTURAL CAPACITY OF THE SUBSTRATE (JAMB) TO RESIST THE LOADS IMPOSED BY THE ROLL-UP DOOR.
4. ALL DOOR JAMBS (MASONRY OR STEEL) MUST BE DESIGNED TO RESIST THE FORCES IN SUPERIMPOSED LOAD DIAGRAM.
5. THE DOOR ASSEMBLY SHALL BE INSTALLED IN ACCORDANCE WITH THE MANUFACTURERS INSTALLATION INSTRUCTIONS.
6. COMPLIES WITH IBC/IRC 2018.
7. PROFESSIONAL ENGINEER'S SEAL PROVIDED ONLY FOR VERIFICATION OF WINDLOAD CONSTRUCTION DETAIL.

DOOR SCHEDULE	
DOOR WIDTH	DESIGN PRESSURE (PSF)
</= 8'-0"	+40.8
	-46.7
9'-0"	+36.6
	-41.9
10'-0"	+32.2
	-38.0
11'-0"	+30.3
	-34.7
12'-0"	+28.0
	-32.0
13'-0"	+24.4
	-27.9
14'-0"	+21.5
	-24.7
15'-0"	+19.2
	-22.0
16'-0"	+17.3
	-19.8

JOHN E. SCATES, P.E.  
2560 King Arthur Blvd, Ste 124-54  
Lewisville, TX 75056

FL PE 51737  
TX PE 56308/F-2203

PRINTED COPIES OF THIS DOCUMENT ARE NOT  
CONSIDERED SIGNED AND SEALED AND THE  
SIGNATURE MUST BE VERIFIED ON ANY  
ELECTRONIC COPIES.

THESE CONFIDENTIAL DOCUMENTS SUBMITTED BY DBCI CONTAIN INFORMATION OF A PROPRIETARY NATURE AND MAY NOT BE REPRODUCED OR USED TO MANUFACTURE ANYTHING IN PART OR IN WHOLE FOR ANY PURPOSE OTHER THAN THAT WHICH IS NECESSARY FOR PREPARATION OF BIDS OR ENGINEERING WITHOUT THE EXPRESS PERMISSION OF DBCI WHICH MAY RECALL DOCUMENTS AT ANY TIME.

PART NUMBER: N/A	
MATERIAL: N/A	
APPLIED FINISH: N/A	
UNIT OF MEASURE: N/A	
APPROVALS	DATE:
DRAWN BRAY ALLEN	09/15/14
CHECKED BRAY ALLEN	
APPROVED	

**DBCI** DOORS & BUILDING COMPONENTS  
DOUGLASVILLE, GA CHANDLER, AZ HOUSTON, TX  
©2000 DBCI ALL RIGHTS RESERVED

26 GA. WIND LOAD, MAX. SIZE 16'-0" x 20'-0"

3000 DOOR ASSEMBLY

SIZE <b>B</b>	DRAWING NUMBER -3000-14-0001	REV. 1
SCALE: NONE	SHEET 2	OF 2