

DERBY BUILDING PRODUCTS LLC

POLYPROPYLENE SIDING

INSTALLATION ANCHORAGE DETAILS

GENERAL NOTES:

1. THE SYSTEM DEPICTED HEREIN HAS BEEN TESTED & EVALUATED IN ACCORDANCE WITH THE 2018 INTERNATIONAL BUILDING AND 2018 INTERNATIONAL RESIDENTIAL CODE.
2. APPLICABLE DESIGN WIND PRESSURES FOR THE INSTALLATION OF THIS SYSTEM SHALL BE DETERMINED BY OTHERS ON A SITE-SPECIFIC BASIS IN ACCORDANCE WITH THE GOVERNING CODE.
3. THE SYSTEM DETAILED HEREIN IS GENERIC AND DOES NOT PROVIDE INFORMATION FOR A SPECIFIC SITE. FOR SITE CONDITIONS DIFFERENT FROM THE CONDITIONS DETAILED HEREIN, A LICENSED PROFESSIONAL ENGINEER OR REGISTERED ARCHITECT SHALL PREPARE SITE-SPECIFIC DOCUMENTS FOR USE IN CONJUNCTION WITH THIS APPROVAL.
4. PERMIT HOLDER SHALL VERIFY THE ADEQUACY OF THE EXISTING STRUCTURE TO WITHSTAND SUPERIMPOSED LOADS.
5. ALL SIDING PANELS SHALL BE FABRICATED FROM POLYPROPYLENE WITH FILLER AS SPECIFIED FOR EACH PROFILE AND NOMINAL THICKNESS t=0.090".
6. PRODUCT BOX OR CONTAINER SHALL BE LABELED WITH THE TDI PRODUCT APPROVAL NUMBER IN ADDITION TO MANUFACTURER'S INFORMATION: DERBY BUILDING PRODUCTS LLC, MIAMI, FL.
7. SIDING PANELS SHALL BE INSTALLED ON VERTICAL WALLS OR OTHER SURFACES WITH SLOPE GREATER THAN 45:12.
8. SIDING PANELS SHALL BE INSTALLED ON A SMOOTH, FLAT SURFACE AS FOLLOWS.
 - 8.1. 2X WOOD-FRAME WITH 15/32" MIN. PLYWOOD OR OSB SHEATHING HOST STRUCTURE .
 - 8.2. HOLLOW-BLOCK OF CONCRETE HOST STRUCTURE.
 - 8.3. METAL STUD WITH 15/32" MIN. PLYWOOD OR OSB SHEATHING HOST STRUCTURE .
 - 8.4. AREAS BETWEEN FURRING STRIPS (WHERE USED) SHALL BE FILLED TO ENSURE A SMOOTH, FLAT SURFACE.
9. THIS SYSTEM DOES NOT PROVIDE WEATHER RESISTANCE AND SHALL BE INSTALLED OVER A WEATHER RESISTANT BARRIER SYSTEM IN ACCORDANCE WITH BUILDING CODE REQUIREMENTS.
10. ALL NAILS AND SCREWS SHALL BE GALVANIZED STEEL OR STAINLESS STEEL WITH A MINIMUM TENSILE YIELD STRENGTH OF 60 KSI.
11. PLASTIC COMPONENTS SATISFY ALL APPLICABLE FIRE/SMOKE/UV PERFORMANCE REQUIREMENTS AS SET FORTH IN THE ABOVE NOTED BUILDING CODE.

ANCHOR NOTES:

1. IN ORDER TO ALLOW FOR THERMAL EXPANSION AND CONTRACTION, ALL ANCHORS SHALL BE INSTALLED INTO THE CENTER OF PRE-PUNCHED ANCHOR SLOTS, WITHOUT EXERTING PRESSURE UNDER THE ANCHOR HEADS. EXCEPTION: CENTER ANCHOR OF EACH PANEL MAY BE INSTALLED INTO PRE-PUNCHED OR FIELD-DRILLED HOLE.
2. ENSURE THAT ALL LOCKING TABS ARE PROPERLY ENGAGED WITH ADJACENT PANELS PRIOR TO INSTALLING ANCHORS.
3. NOT USED.
4. ENSURE MINIMUM 3/4" EDGE DISTANCE FOR ALL ANCHORS INTO WOOD FRAMING (i.e. ANCHOR SHALL BE LOCATED IN CENTER OF STUD WHERE FASTENED TO NARROW FACE OF NOMINAL 2x FRAMING).
5. ENSURE 2-1/2" EDGE DISTANCE FOR ALL ANCHORS INTO CONCRETE OR HOLLOW BLOCK.
6. ENSURE 1/2" MINIMUM EDGE DISTANCE FOR ALL ANCHORS INTO STEEL STUDS.
7. MINIMUM EMBEDMENT SHALL BE AS NOTED IN ANCHOR SCHEDULE. MINIMUM EMBEDMENT AND EDGE DISTANCE EXCLUDES STUCCO, FOAM, BRICK AND OTHER WALL FINISHES.
8. HOST STRUCTURE STRENGTH REQUIREMENTS:
 - 8.1. WOOD HOST STRUCTURE SHALL BE "HEM-FIR", "DOUGLAS FIR", "SOUTHERN PINE", "SPRUCE-PINE-FIR", OR ANY OTHER SPECIES WITH G = 0.42 OR GREATER SPECIFIC GRAVITY.
 - 8.2. CONCRETE HOST STRUCTURE SHALL BE 2000 PSI OR GREATER.
 - 8.3. HOLLOW BLOCK (CMU) HOST STRUCTURE SHALL BE ASTM C90 LIGHT WEIGHT (DENSITY > 95 PCF) CMU OR GREATER.
 - 8.4. STEEL STUDS SHALL BE A MINIMUM 18 ga. THICKNESS AND SHALL HAVE A MINIMUM YIELD STRENGTH OF 33 KSI AND MINIMUM ULTIMATE STRENGTH OF 45 KSI.

HOST STRUCTURE ANCHOR SCHEDULE:

1. 2X WOOD-FRAME WITH 15/32" MIN. PLYWOOD OR OSB SHEATHING HOST STRUCTURE:
 - 1.1. 11 ga. x 2" (3/8" HEAD DIAMETER MIN.) SMOOTH SHANK ROOFING NAILS WITH FULL PENETRATION IN HOST STRUCTURE SHEATHING.
 - 1.2. NO. 10 PH TAPPING (METAL) SCREWS WITH 1-1/2" MINIMUM EMBEDMENT INTO HOST STRUCTURE WOOD FRAMING STUDS AND FULL THREAD ENGAGEMENT INTO HOST STRUCTURE SHEATHING.
2. HOLLOW BLOCK OR CONCRETE HOST STRUCTURE:
 - 2.1. CONCRETE: 3/16" DIA. PH OF HWH TAPCONS (ADVANCED THREADFORM) WITH 1" MINIMUM EMBEDMENT AND 1-1/8" MINIMUM EDGE DISTANCE.
 - 2.2. HOLLOW BLOCK (CMU): 3/16" DIA. TAPCONS (ADVANCED THREADFORM) WITH 1" MINIMUM EMBEDMENT AND 2" MINIMUM EDGE DISTANCE.
 - 2.3. METAL STUD WITH 15/32" MIN. PLYWOOD OR OSB SHEATHING HOST STRUCTURE:
 - 2.3.1. NO. 10 PH TAPPING (METAL SCREWS) (#10-16 OR #10-24) WITH FULL THREAD ENGAGEMENT.

DESIGN PRESSURE SCHEDULE

SCHEDULE BELOW PROVIDES ALLOWABLE NEGATIVE DESIGN PRESSURES
NO LIMITATION APPLICABLE TO POSITIVE PRESSURES

ANCHOR TYPE	ANCHOR SPACING	TANDOSHAKETM RUSTIC CEDAR 9	TANDOSHAKETM HAND-SPLIT SHAKE	TANDOSHAKETM ROUGHSAWN CEDAR DUAL	TANDOSHAKETM ROUGHSAWN CEDAR SINGLE	TANDOSHAKETM R&R 4.5"	TANDOSHAKETM SCALLOPED PERFECTION	TANDOSHAKETM BRICK	TANDOSTONETM HAND-CUT STONE OR TANDOSTONETM CRAFTSMAN CUT STONE	TANDOSTONETM STACKED STONE OR NOVIKSTONETM MS OR ATLAS STONE STACKED	TANDOSTONETM CREEK LEDGESTONE OR NOVIKSTONETM CS	PORTSMOUTH SHAKE S9
11 ga. x 2" ROOFING NAILS	2" OC	104 PSF	--- (1)	--- (1)	146.8 PSF	--- (1)	--- (1)	--- (1)	31.9 PSF	49.3 PSF	52 PSF	101.2 PSF
	3.5" OC	--- (1)	--- (1)	41.1 PSF	--- (1)	39.3 PSF	40.8 PSF	--- (1)	--- (1)	--- (1)	--- (1)	--- (1)
	4" OC	52 PSF	26.7 PSF	--- (1)	73.4 PSF	--- (1)	--- (1)	26.2 PSF	26.9 PSF	25.8 PSF	26 PSF	50.6 PSF
	6" OC	34.7 PSF	--- (1)	--- (1)	48.9 PSF	--- (1)	--- (1)	--- (1)	--- (2A)	--- (2)	17.3 PSF	33.7 PSF
#10 TAPPING SCREWS (NOTE 3)	2" OC	154.3 PSF	--- (1)	--- (1)	163.5 PSF	--- (1)	--- (1)	--- (1)	31.9 PSF	49.3 PSF	55.6 PSF	114.3 PSF
	3.5" OC	--- (1)	--- (1)	118.9 PSF	--- (1)	113.5 PSF	117.8 PSF	--- (1)	--- (1)	--- (1)	--- (1)	--- (1)
	4" OC	150.3 PSF	49.4 PSF	--- (1)	163.5 PSF	--- (1)	--- (1)	34.4 PSF	31.9 PSF	49.3 PSF	55.6 PSF	114.3 PSF
	6" OC	100.2 PSF	--- (1)	--- (1)	141.5 PSF	--- (1)	--- (1)	--- (1)	31.9 PSF	--- (2)	50.1 PSF	97.5 PSF
3/16" ITW TAPCONS	2" OC	154.3 PSF	--- (1)	--- (1)	163.5 PSF	--- (1)	--- (1)	--- (1)	31.9 PSF	49.3 PSF	55.6 PSF	114.3 PSF
	3.5" OC	--- (1)	--- (1)	118.9 PSF	--- (1)	113.5 PSF	117.8 PSF	--- (1)	--- (1)	--- (1)	--- (1)	--- (1)
	4" OC	150.3 PSF	49.4 PSF	--- (1)	163.5 PSF	--- (1)	--- (1)	34.4 PSF	31.9 PSF	49.3 PSF	55.6 PSF	114.3 PSF
	6" OC	100.2 PSF	--- (1)	--- (1)	141.5 PSF	--- (1)	--- (1)	--- (1)	31.9 PSF	--- (2)	50.1 PSF	97.5 PSF

Notes:

- 1) LIMITATIONS DUE TO PROFILE'S ANCHOR SLOT SPACING.
- 2) LIMITATIONS DUE TO TESTED ANCHOR SPACING. 2A) LIMITATIONS DUE TO ANCHOR TYPE.
- 3) TAPPING SCREWS APPROVED FOR WOOD AND METAL SUBSTRATE INSTALLATION. WOOD SCREWS NOT RECOMMENDED FOR WOOD SUBSTRATE INSTALLATION DUE TO NOT BEING THREADED THEIR FULL LENGTH.

PROJECT NO. 419-1011

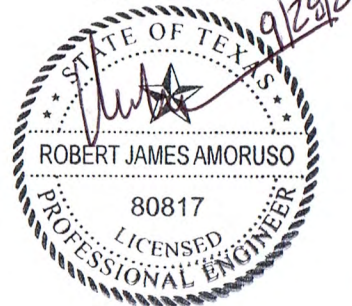
DERBY BUILDING PRODUCTS LLC
1111 NW 165TH ST.
MIAMI, FL 33169

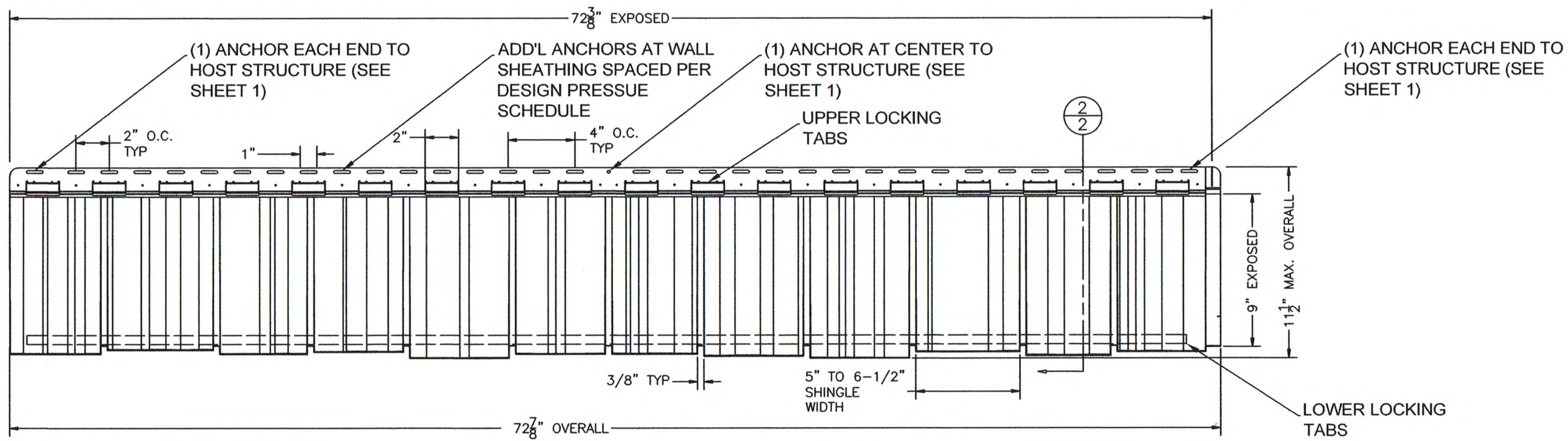
TITLE: EXTERIOR WALL CLADDING (VARIOUS PROFILES)
POLYPROPYLENE SIDING (VARIOUS PROFILES)

DATE: 6/22/18
DRAWING NO: DERBY1001
SHEET: 1 OF 12
DRAWN BY: RJA
SCALE: N.T.S.
REV: 2

PREPARED BY: **RJE**
PTC Product Design Group, LLC
PO Box 520775
Longwood, FL 32752-0775
Phone: 321.690.1788
Fax: 321.690.1789
Email: info@ptc-corp.com
TEXAS REG. NO. F-13740

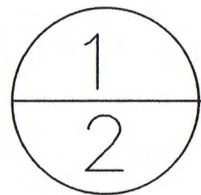
Robert J. Amoruso, P.E.
Texas PE No. 80817





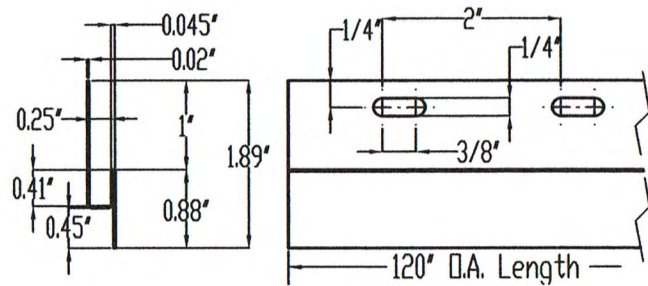
TANDOSTONE™ RUSTIC CEDAR 9

EXTERIOR ELEVATION

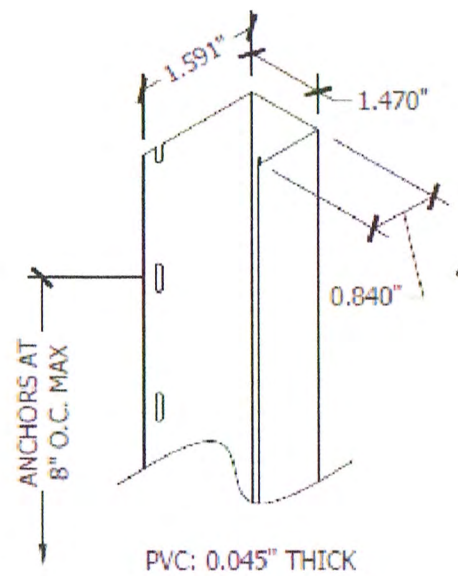


NOMINAL THICKNESS: 0.090"

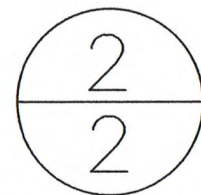
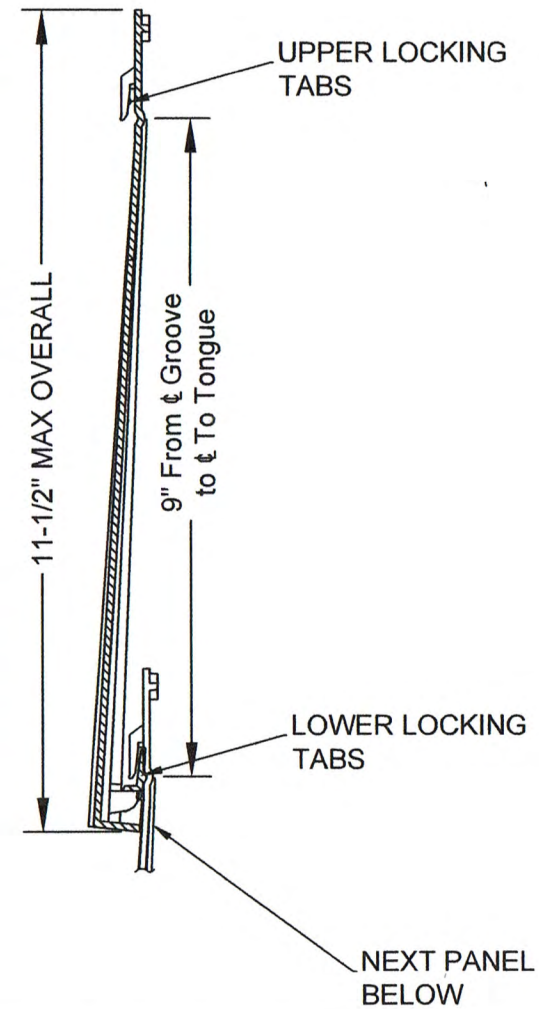
ALTERNATE SHINGLE PATTERNS AVAILABLE



STARTER STRIP AT BOTTOM PANEL ROW
ISOMETRIC



"J" CHANNEL (1-1/8") AT WALL ENDS
ISOMETRIC



TYPICAL SECTION
VERTICAL SECTION

PROJECT NO. 419-1011

DERBY BUILDING PRODUCTS LLC
1111 NW 165TH ST.
MIAMI, FL 33169

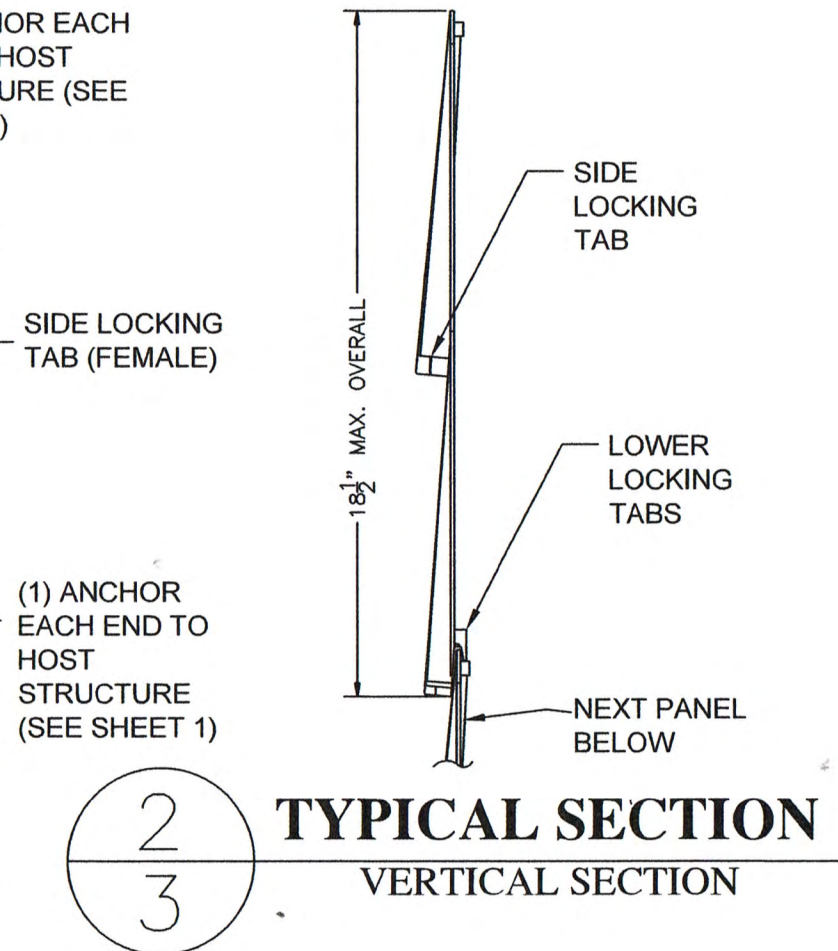
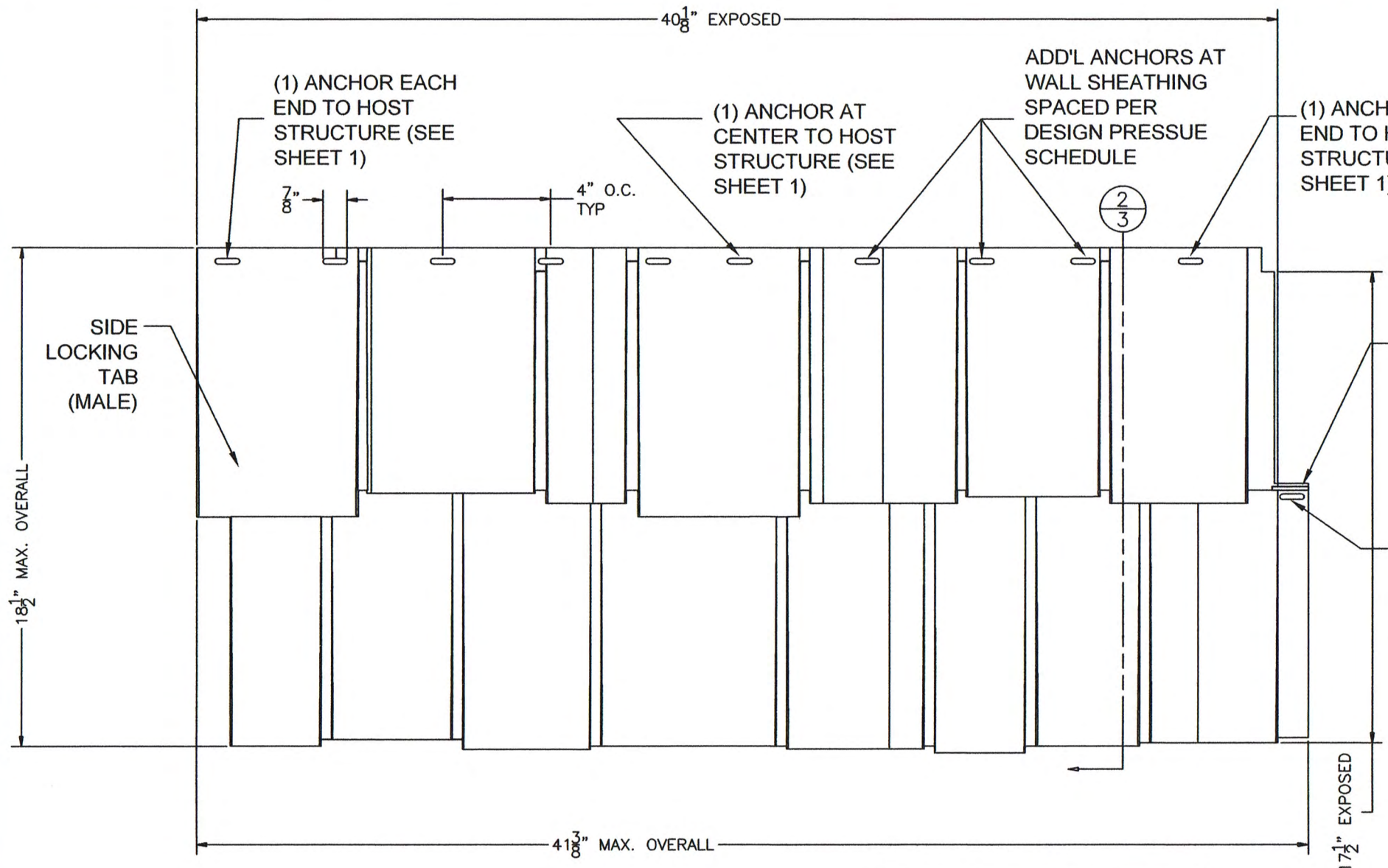
EXTERIOR WALL CLADDING
POLYPROPYLENE SIDING (VARIOUS PROFILES)

DATE:	6/22/18
DRAWING NO.:	DERBY1001
SCALE:	N.T.S.
REV:	2
SHEET:	2 OF 12

REV	DESCRIPTION	DATE	BY
2	ADDED PORTSOUTH S9	1/16/20	RJA

Robert J. Amoruso, P.E.
Texas PE No. 80817





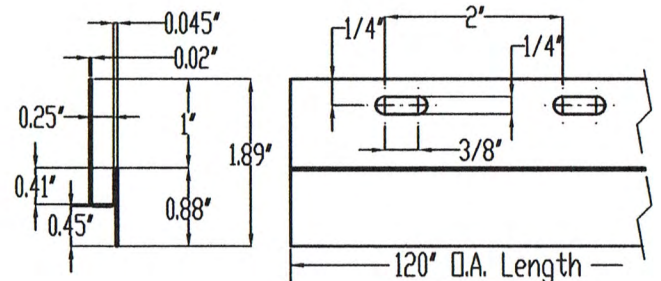
2
3

TYPICAL SECTION
VERTICAL SECTION

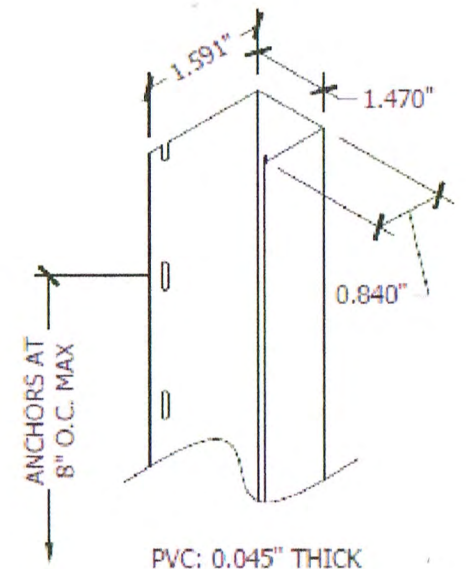
1
3

TANDOSHAKE™
HAND SPLIT SHAKE
EXTERIOR ELEVATION

NOMINAL THICKNESS: 0.090"



STARTER STRIP AT
BOTTOM PANEL ROW
ISOMETRIC



"J" CHANNEL (1-1/8") AT
WALL ENDS
ISOMETRIC

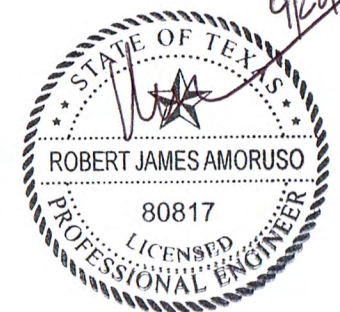
PROJECT NO. 419-1011

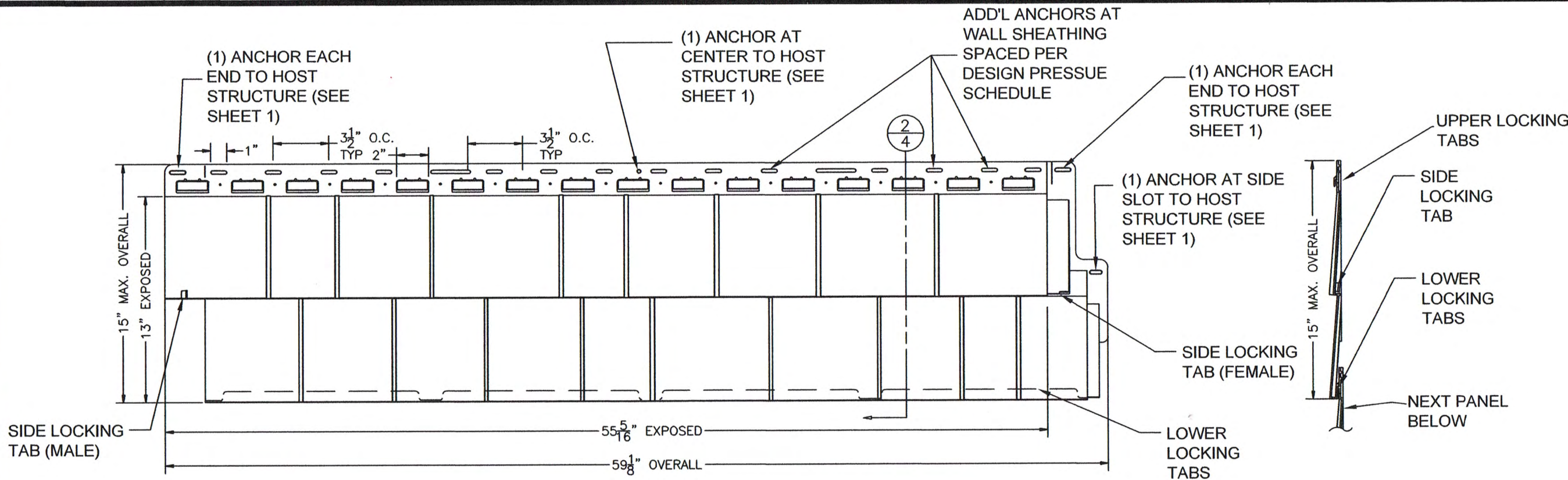
DERBY BUILDING PRODUCTS LLC
1111 NW 165TH ST.
MIAMI, FL 33169

DATE	DESCRIPTION	REV
1/16/20	ADDED PORTSOUTH S9	2

TITLE:	EXTERIOR WALL CLADDING POLYPROPYLENE SIDING (VARIOUS PROFILES)
DRAWN BY:	RJA
DATE:	6/22/18
SCALE:	N.T.S.
DRAWING NO.:	DERBY1001
REV:	2
SHEET:	3 OF 12

Robert J. Amoruso, P.E.
Texas PE No. 80817





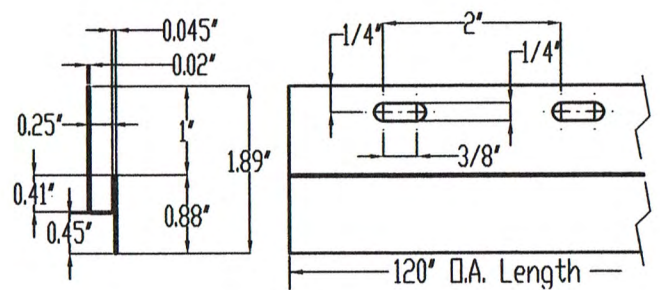
1
4

TANDOSHAKE™
ROUGHSAWN CEDAR DUAL
 EXTERIOR ELEVATION

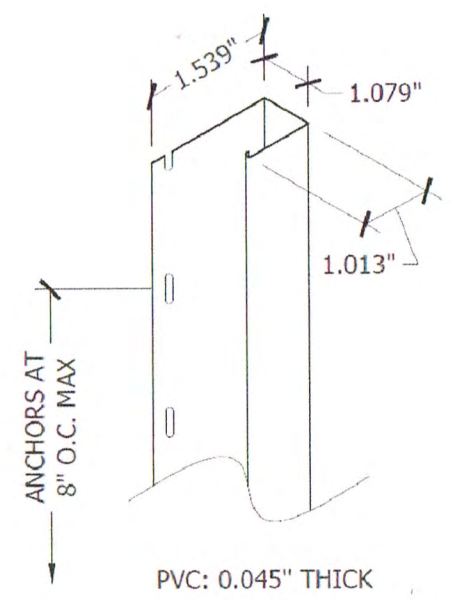
NOMINAL THICKNESS: 0.090"

2
4

TYPICAL SECTION
 VERTICAL SECTION



**STARTER STRIP AT
 BOTTOM PANEL ROW**
 ISOMETRIC



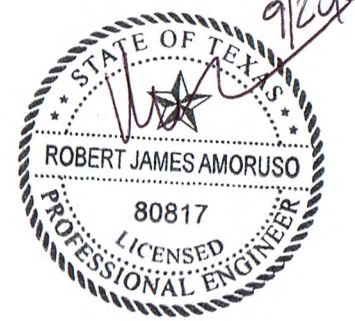
**"J" CHANNEL (3/4") AT
 WALL ENDS**
 ISOMETRIC

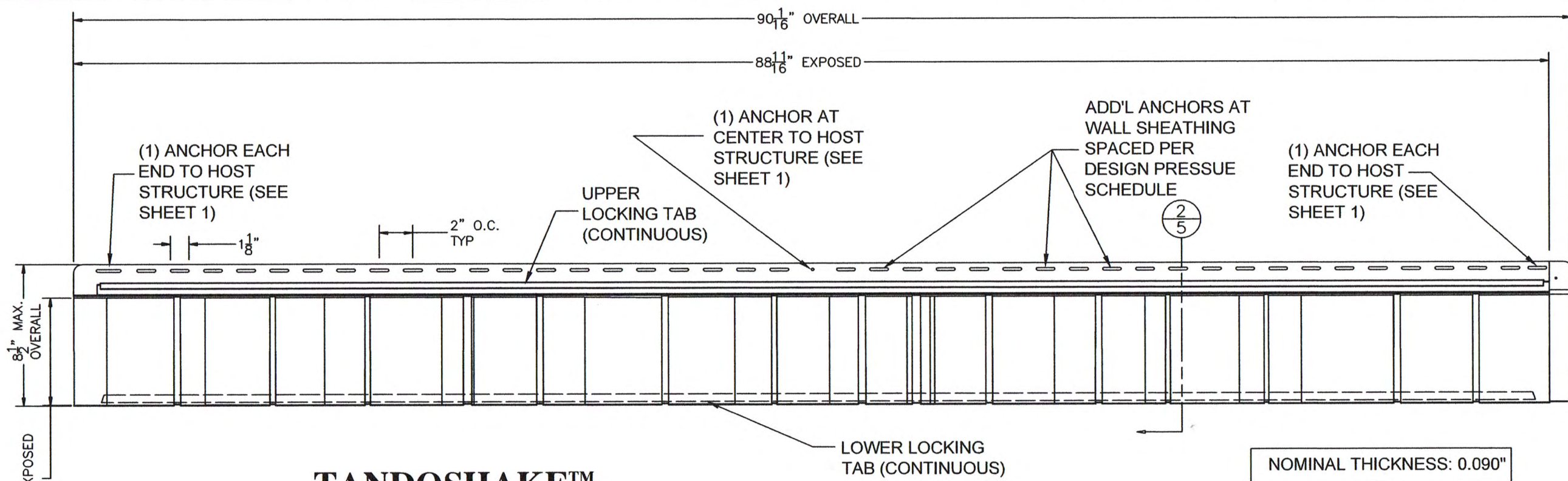
PROJECT NO. 419-1011

REV	DESCRIPTION	DATE	BY
2	ADDED PORTSOUTH S9	1/16/20	RJA

DERBY BUILDING PRODUCTS LLC 1111 NW 165TH ST. MIAMI, FL 33169		DATE: 6/22/18	
TITLE: EXTERIOR WALL CLADDING POLYPROPYLENE SIDING (VARIOUS PROFILES)		DRAWN BY: RJA	DRAWING NO: DERBY1001
PREPARED BY: PTC	SCALE: N.T.S.	REV: 2	SHEET: 4 OF 12
PTC Product Design Group, LLC PO Box 75 Lubbock, TX 79402 Phone: 321.690.1788 Fax: 321.690.1789 Lubbock, TX 79402 TEXAS REG. NO. F-13740 Email: info@ptc-corp.com			

Robert J. Amoruso, P.E.
 Texas PE No. 80817

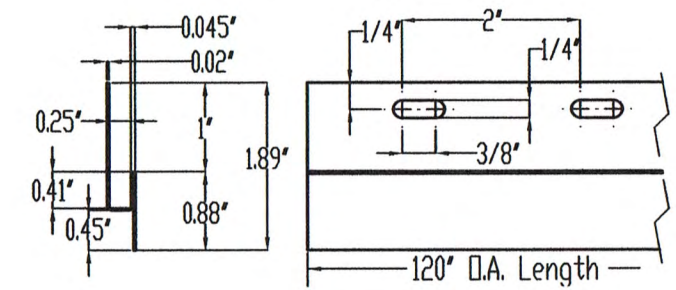




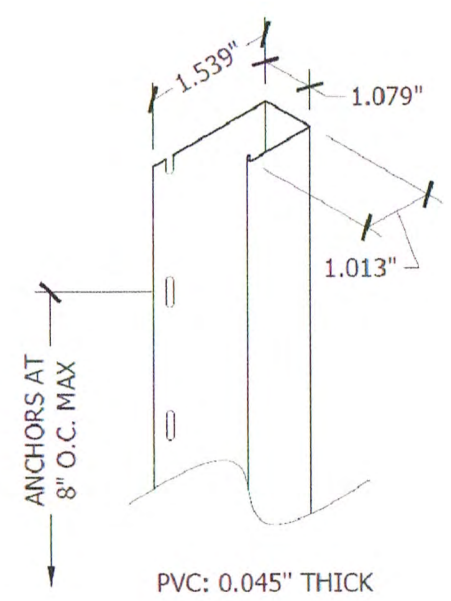
1
5

TANDOSHAKE™
ROUGHSAWN CEDAR SINGLE
 EXTERIOR ELEVATION

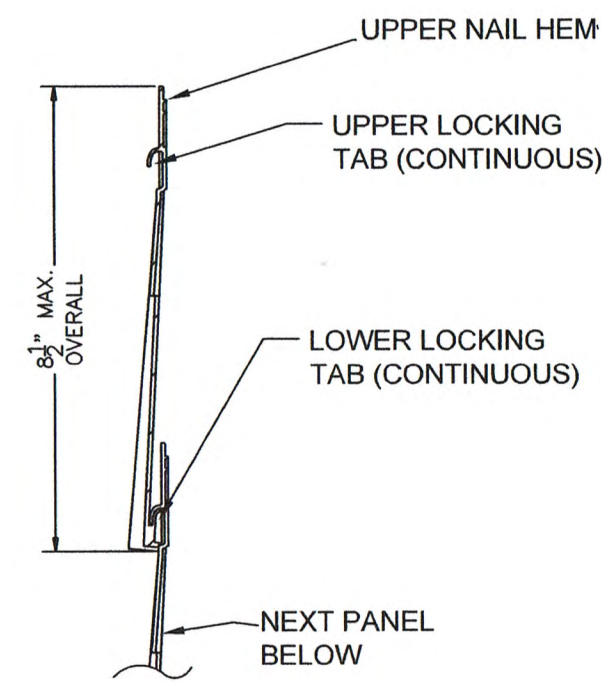
NOMINAL THICKNESS: 0.090"



**STARTER STRIP AT
 BOTTOM PANEL ROW**
 ISOMETRIC



**"J" CHANNEL (3/4") AT
 WALL ENDS**
 ISOMETRIC



2
5
TYPICAL SECTION
 VERTICAL SECTION

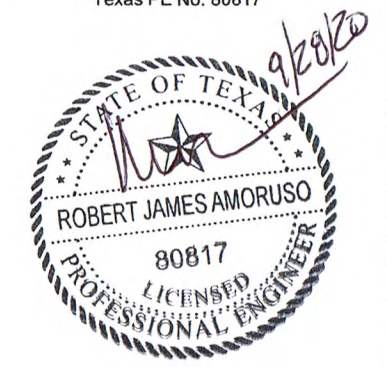
PROJECT NO. 419-1011

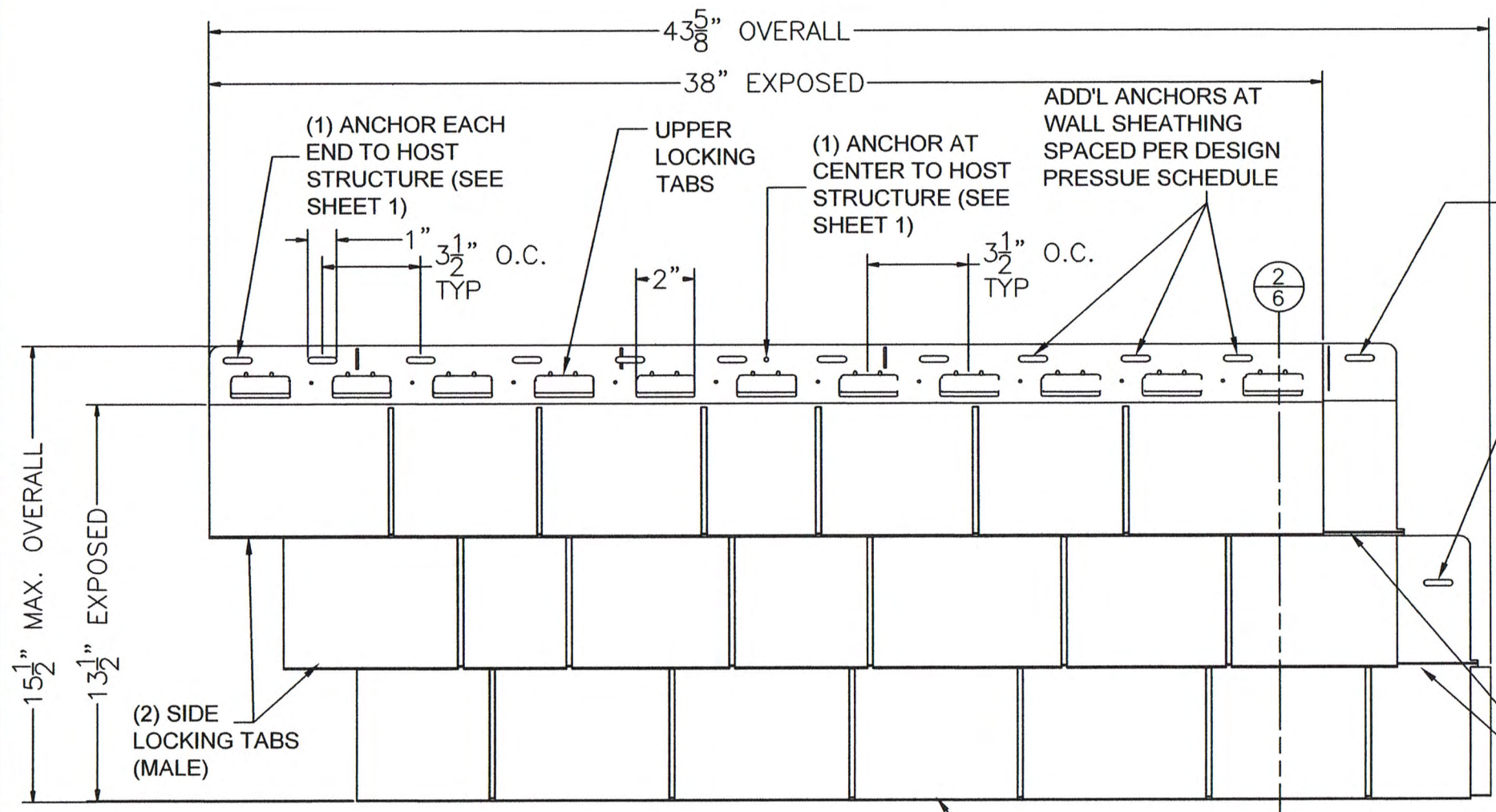
REV	DESCRIPTION	DATE	BY
2	ADDED PORTSOUTH S9	1/16/20	RJA

DERBY BUILDING PRODUCTS LLC 1111 NW 165TH ST. MIAMI, FL 33169		EXTERIOR WALL CLADDING POLYPROPYLENE SIDING (VARIOUS PROFILES)	
DRAWN BY:	RJA	DATE:	6/22/18
SCALE:	N.T.S.	DRAWING NO.:	DERBY1001
REV:	2	SHEET:	5 OF 12

PTC Product Design Group, LLC
 PO Box 321690
 Fort Worth, TX 76162-0775
 Phone: 321.690.1788
 Fax: 321.690.1789
 Email: info@ptc-corp.com

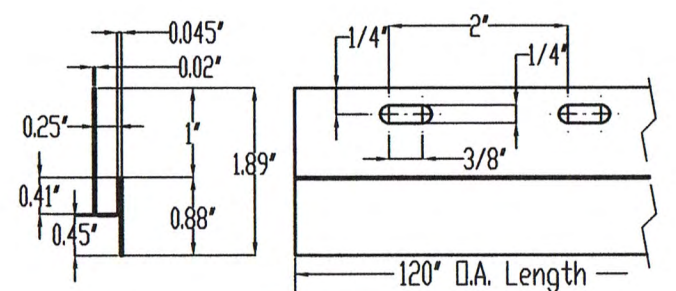
Robert J. Amoruso, P.E.
 Texas PE No. 80817



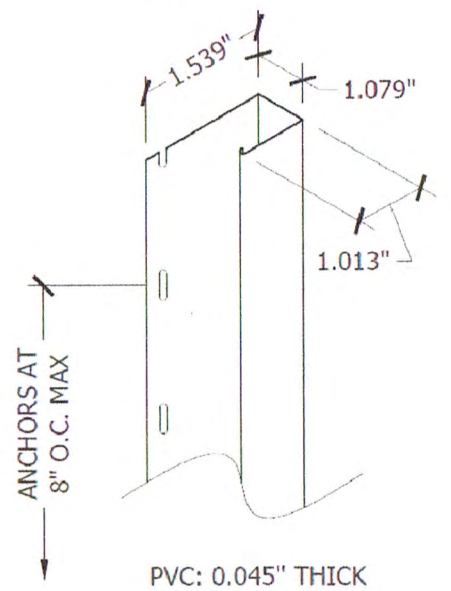


TANDOSHAKE™
R&R 4.5"
 EXTERIOR ELEVATION

1
6



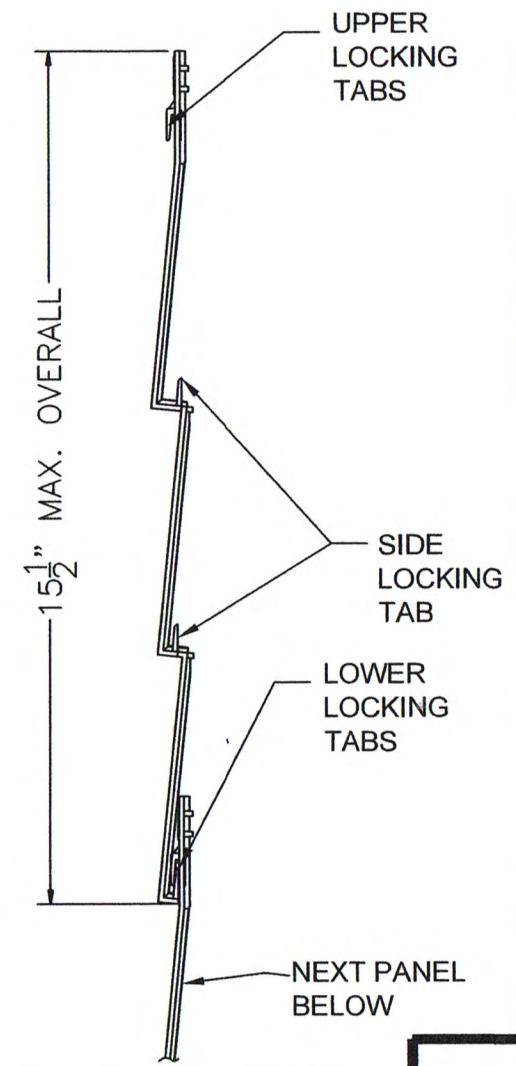
**STARTER STRIP AT
 BOTTOM PANEL ROW**
 ISOMETRIC




**"J" CHANNEL (3/4") AT
 WALL ENDS**
 ISOMETRIC

2
6

TYPICAL SECTION
 VERTICAL SECTION

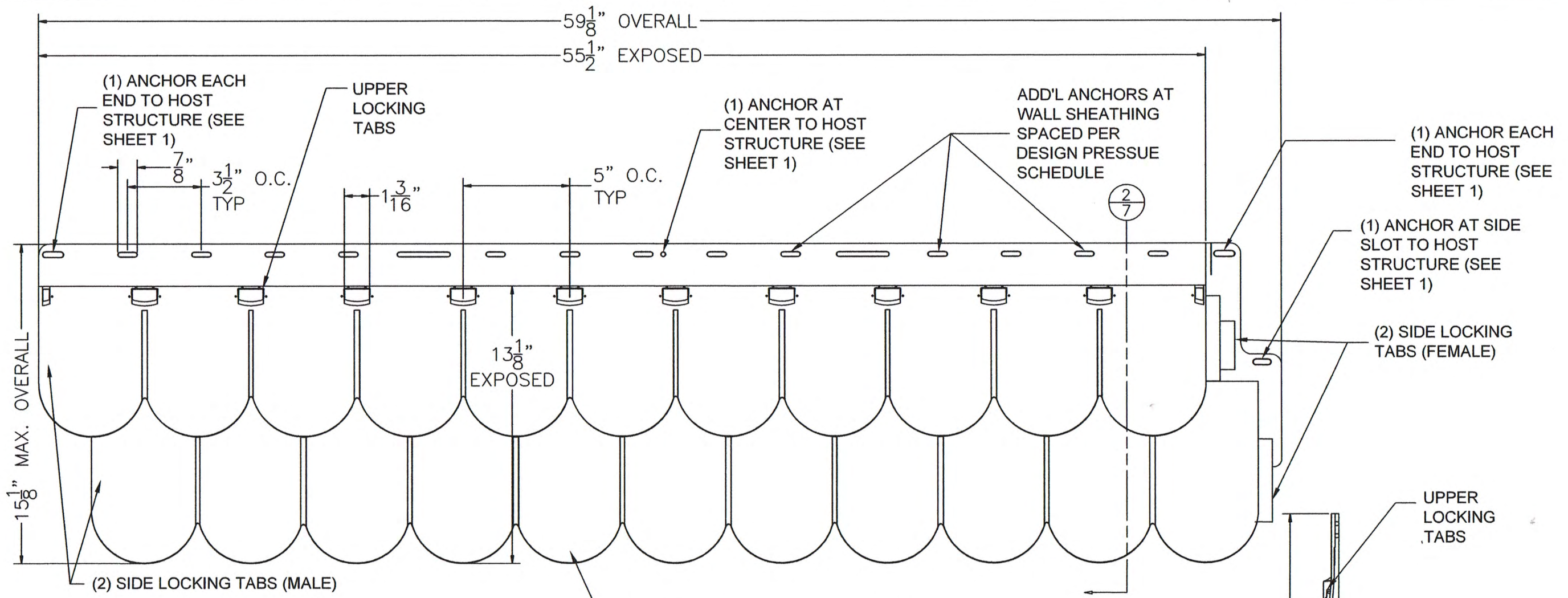


PROJECT NO. 419-1011	
2	ADDED PORTSOUTH S9
REV	DESCRIPTION
1/16/20	DATE
RJA	BY

DERBY BUILDING PRODUCTS LLC 1111 NW 165TH ST. MIAMI, FL 33169	
EXTERIOR WALL CLADDING POLYPROPYLENE SIDING (VARIOUS PROFILES)	
DRAWN BY: RJA	DATE: 6/22/18
SCALE: N.T.S.	DRAWING NO: DERBY1001
REV: 2	SHEET: 6 OF 12
	
<small>PTC Product Design Group, LLC PO Box 111111 Longview, TX 75702-0775 Phone: 321.690.1788 Fax: 321.690.1789 Email: info@ptc-corp.com TEXAS REG. NO. F-13740</small>	

Robert J. Amoruso, P.E.
 Texas PE No. 80817

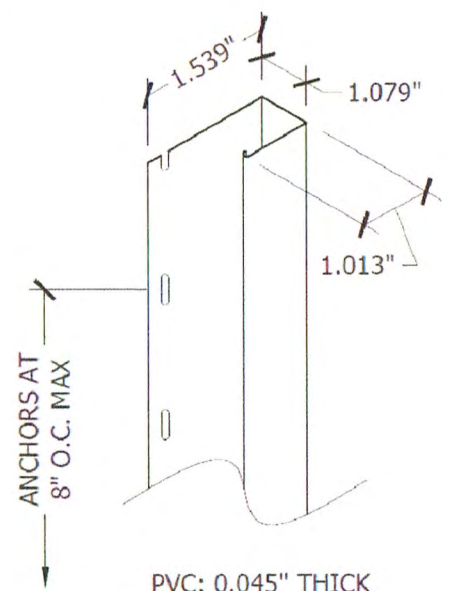




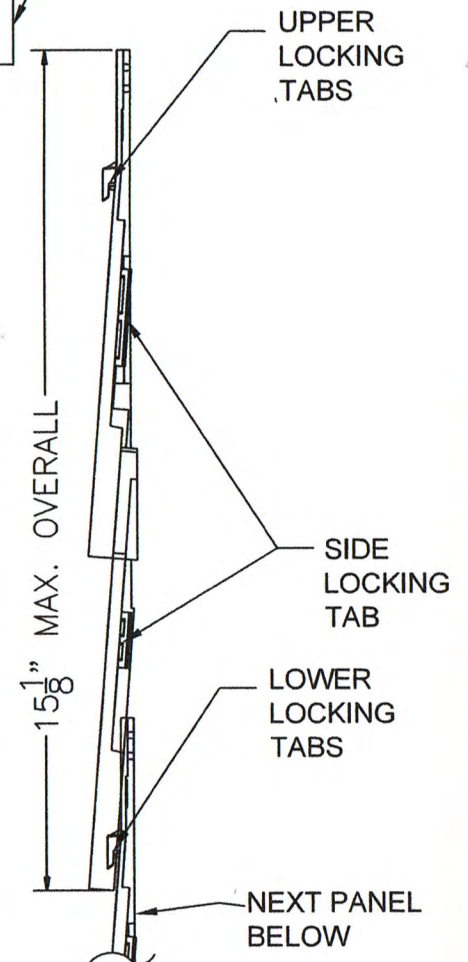
1
7

TANDOSHAKE™
SCALLOPED PERFECTION
 EXTERIOR ELEVATION

LOWER LOCKING TABS
 NOMINAL THICKNESS: 0.090"



"J" CHANNEL (3/4") AT WALL ENDS
 ISOMETRIC



2
7

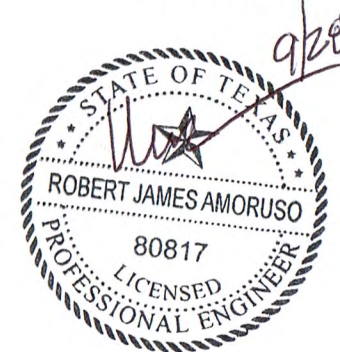
TYPICAL SECTION
 VERTICAL SECTION

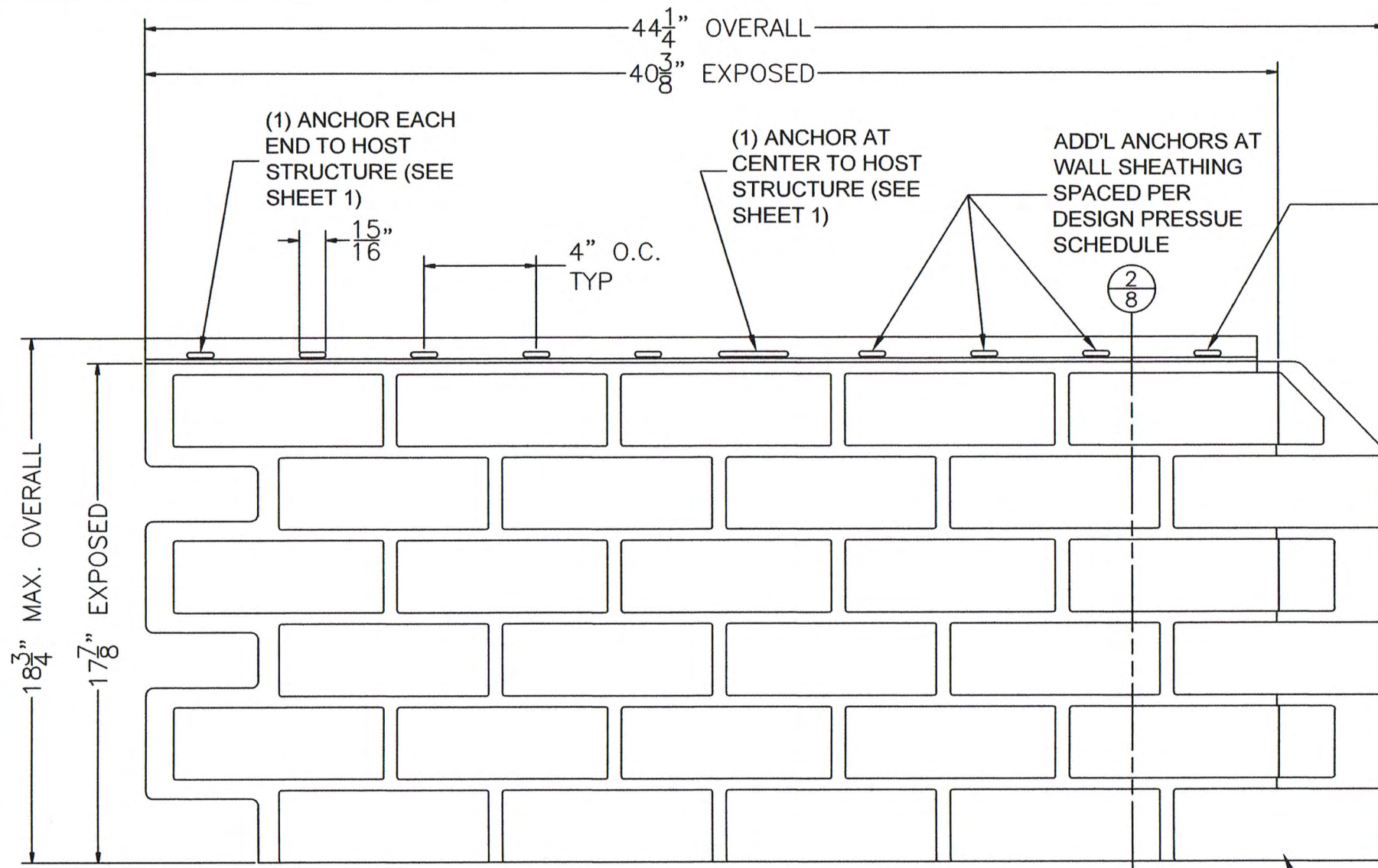
PROJECT NO. 419-1011

DATE	DESCRIPTION	BY
1/16/20	ADDED PORTSOUTH S9	RJA
REV		
2		

DERBY BUILDING PRODUCTS LLC 1111 NW 165TH ST. MIAMI, FL 33169		DATE: 6/22/18	
EXTERIOR WALL CLADDING (VARIOUS PROFILES)		DRAWING NO: DERBY1001	
DRAWN BY: RJA	SCALE: N.T.S.	REV: 2	SHEET: 7 OF 12
PTC Product Design Group, LLC PO Box 520775 Longwood, FL 32752-0775 TEXAS REG. NO. F-13740			

Robert J. Amoruso, P.E.
 Texas PE No. 80817





UPPER NAIL HEM
 (1) ANCHOR EACH END TO HOST STRUCTURE (SEE SHEET 1)

(1) ANCHOR EACH END TO HOST STRUCTURE (SEE SHEET 1)

18 3/4" MAX. OVERALL

LOWER LOCKING TABS

NEXT PANEL BELOW

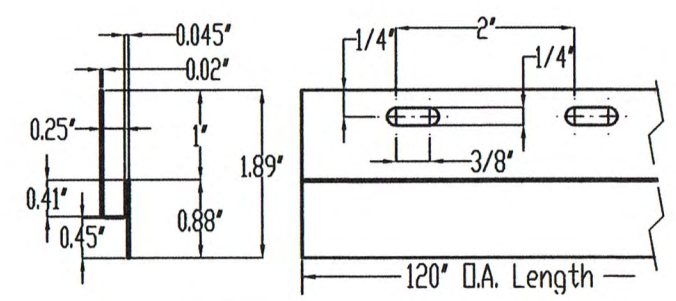
LOWER LOCKING TABS

1
 8

TANDOSTONE™ BRICK

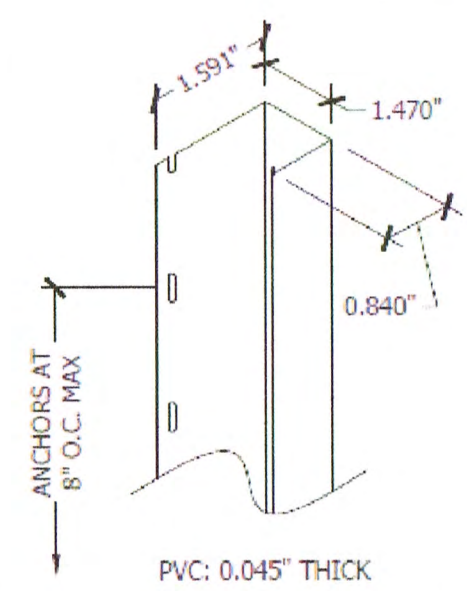
EXTERIOR ELEVATION

NOMINAL THICKNESS: 0.090"



STARTER STRIP AT BOTTOM PANEL ROW

ISOMETRIC



"J" CHANNEL (1-1/8") AT WALL ENDS

ISOMETRIC

2
 8

TYPICAL SECTION

VERTICAL SECTION

PROJECT NO. 419-1011

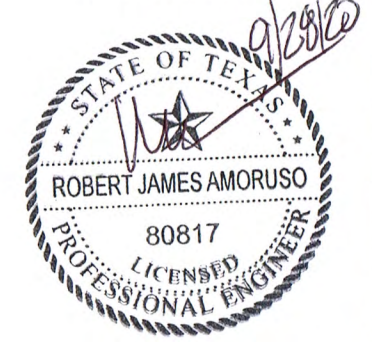
DERBY BUILDING PRODUCTS LLC
 1111 NW 165TH ST.
 MIAMI, FL 33169

TITLE: EXTERIOR WALL CLADDING
 POLYPROPYLENE SIDING (VARIOUS PROFILES)

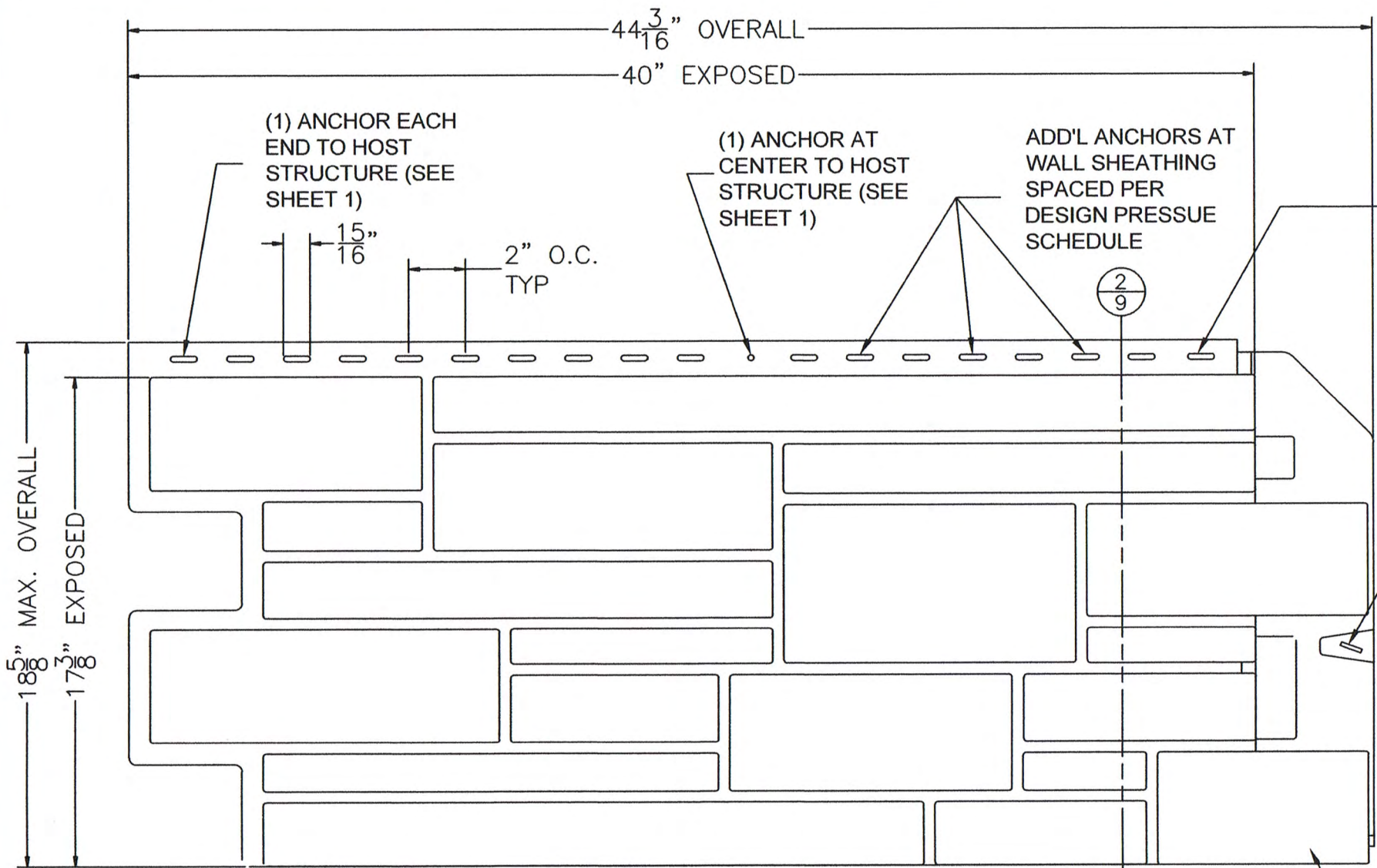
PREPARED BY: RJA
 DRAWN BY: RJA
 SCALE: N.T.S.
 DATE: 6/22/18
 DRAWING NO: DERBY1001
 REV: 2
 SHEET: 8 OF 12



Robert J. Amoruso, P.E.
 Texas PE No. 80817



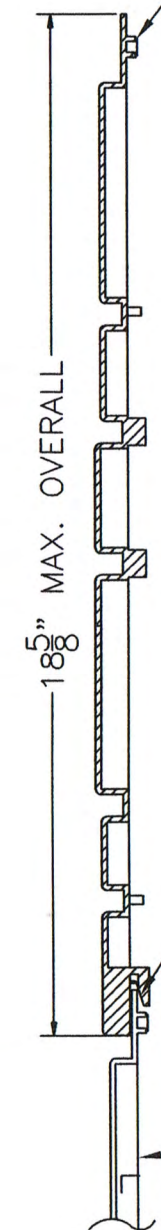
REV	DESCRIPTION	DATE	BY
2	ADDED PORTSOUTH S9	1/16/20	RJA



(1) ANCHOR EACH END TO HOST STRUCTURE (SEE SHEET 1)

(1) ANCHOR AT SIDE SLOT TO HOST STRUCTURE (SEE SHEET 1)

UPPER NAIL HEM



LOWER LOCKING TABS

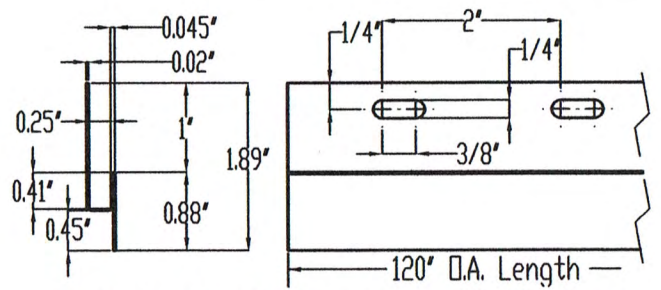
NEXT PANEL BELOW

TANDOSTONE™ HAND-CUT STONE OR TANDOSTONE™ CRAFTSMAN CUT STONE

EXTERIOR ELEVATION

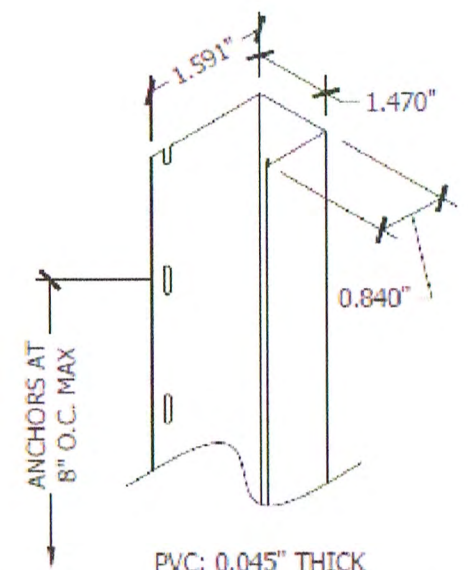
NOMINAL THICKNESS: 0.090"

1/9



STARTER STRIP AT BOTTOM PANEL ROW

ISOMETRIC



"J" CHANNEL (1-1/8") AT WALL ENDS

ISOMETRIC

2/9

TYPICAL SECTION VERTICAL SECTION

PROJECT NO. 419-1011

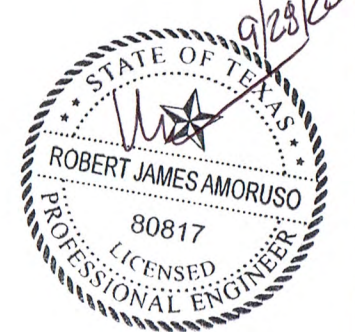
DERBY BUILDING PRODUCTS LLC
1111 NW 165TH ST.
MIAMI, FL 33169

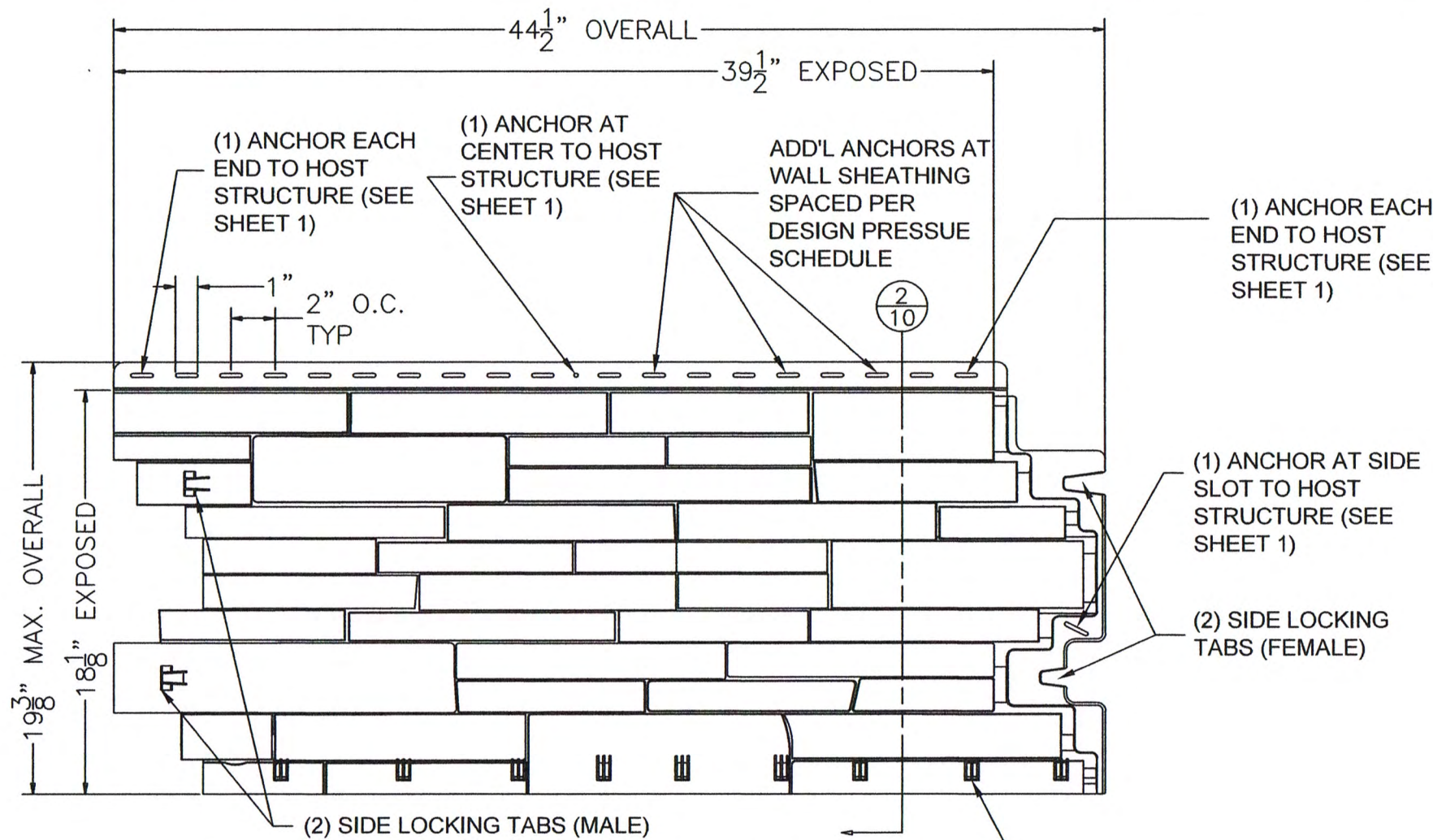
TITLE: EXTERIOR WALL CLADDING
POLYPROPYLENE SIDING (VARIOUS PROFILES)

PREPARED BY:	RJA	DATE:	6/22/18
SCALE:	N.T.S.	DRAWING NO.:	DERBY1001
REV:	2	SHEET:	9 OF 12

REV:	DESCRIPTION	DATE	BY
2	ADDED PORTSOUTH S9	1/16/20	RJA

Robert J. Amoruso, P.E.
Texas PE No. 80817



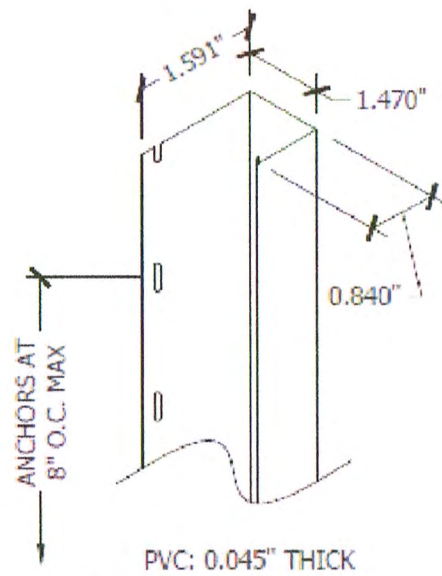


**TANDOSTONE™ STACKED STONE
OR NOVIKSTONE™ MS
OR ATLAS STONE STACKED**

EXTERIOR ELEVATION

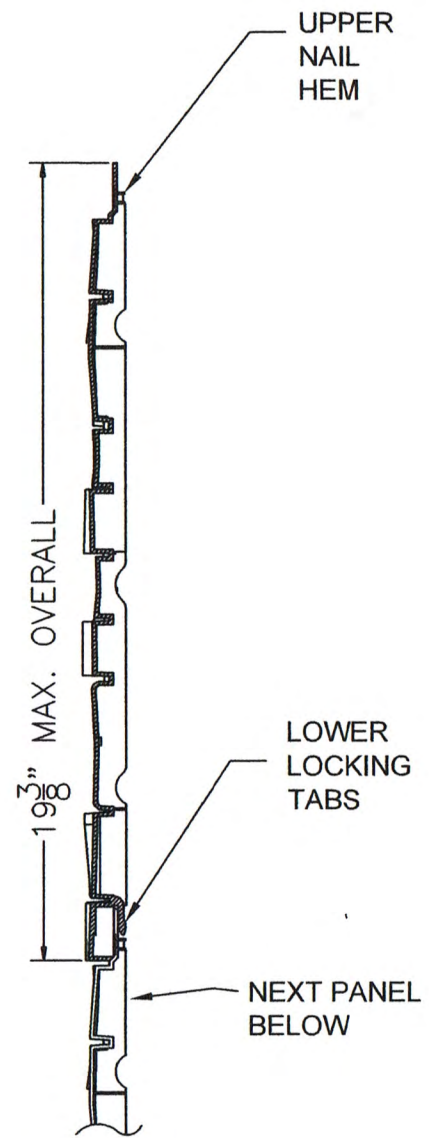
NOMINAL THICKNESS: 0.090"

1
10



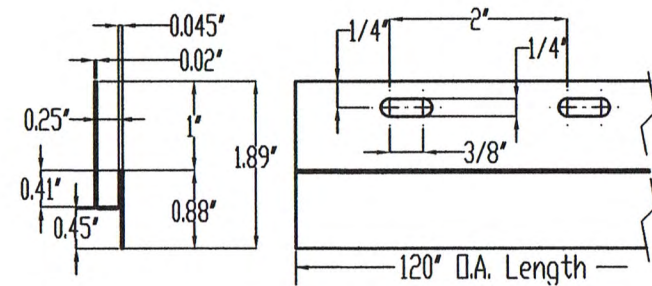
**"J" CHANNEL (1-1/8")
AT WALL ENDS**

ISOMETRIC



**TYPICAL SECTION
VERTICAL SECTION**

2
10



**STARTER STRIP AT
BOTTOM PANEL ROW**

ISOMETRIC

PROJECT NO. 419-1011

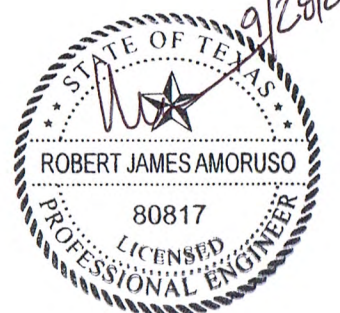
DERBY BUILDING PRODUCTS LLC
1111 NW 165TH ST.
MIAMI, FL 33169

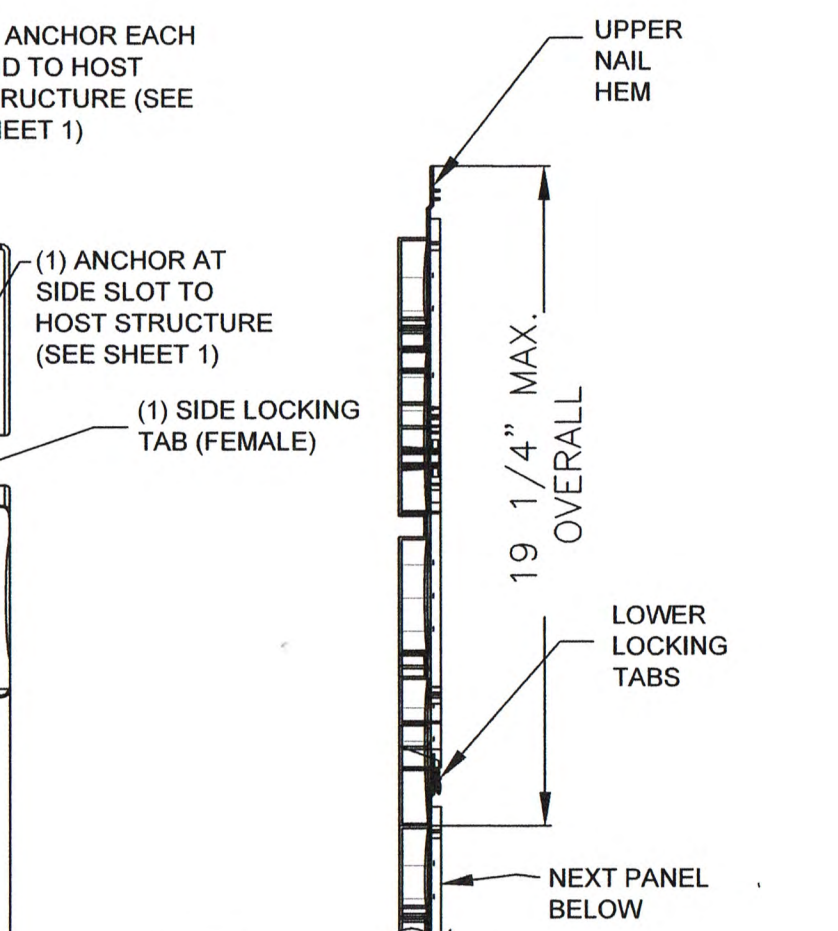
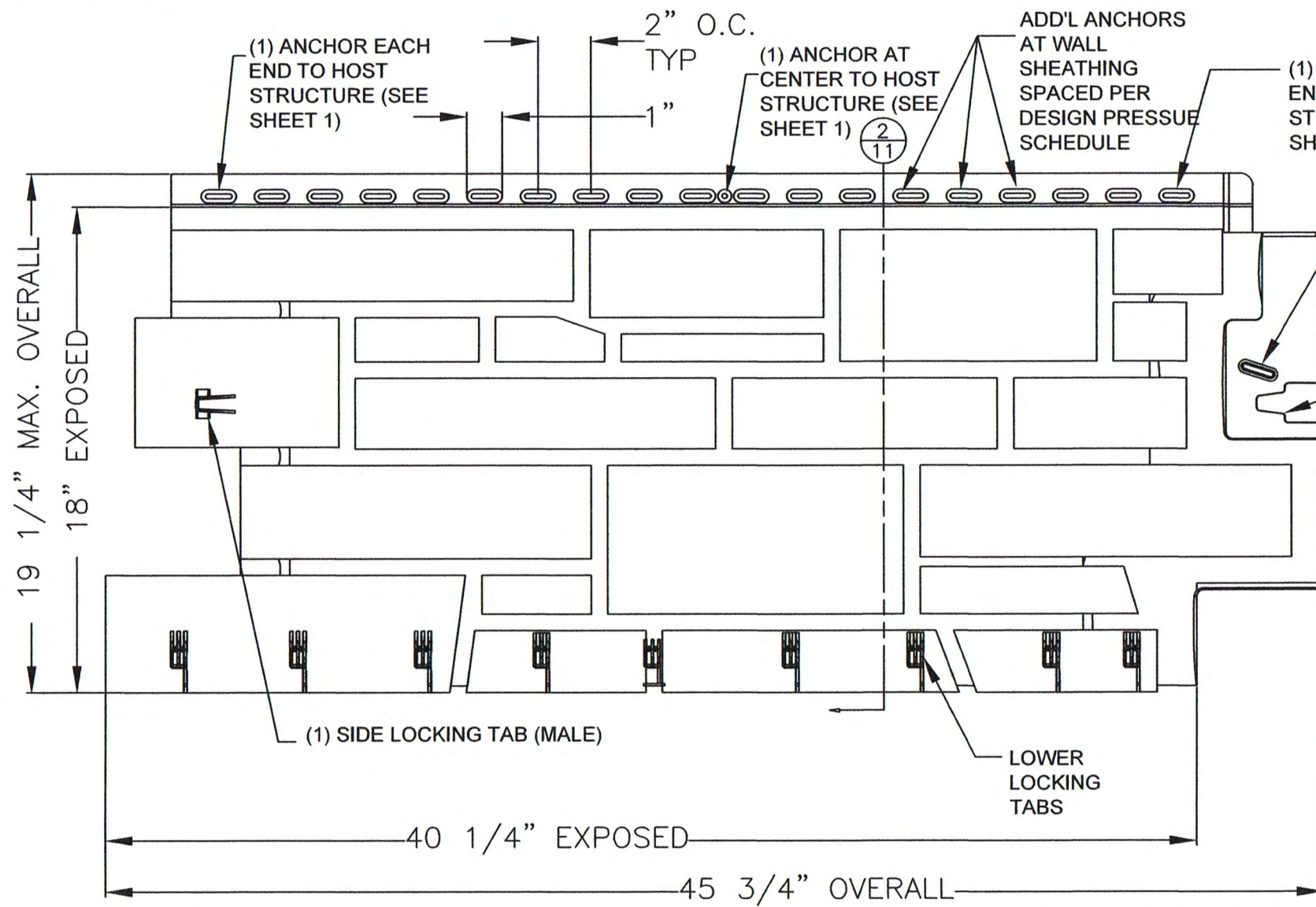
TITLE:
EXTERIOR WALL CLADDING
POLYPROPYLENE SIDING (VARIOUS PROFILES)

PREPARED BY:	RJA	DATE:	6/22/18
DRAWN BY:	RJA	DRAWING NO.:	DERBY1001
SCALE:	N.T.S.	SHEET:	10 OF 12
REV:	2	DESCRIPTION	ADDED PORTSOUTH S9

REV	DESCRIPTION	DATE	BY
2	ADDED PORTSOUTH S9	1/16/20	RJA

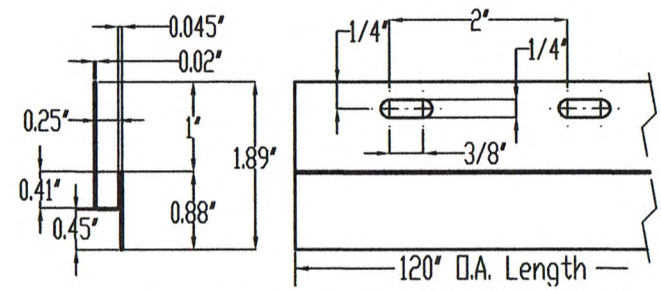
Robert J. Amoruso, P.E.
Texas PE No. 80817



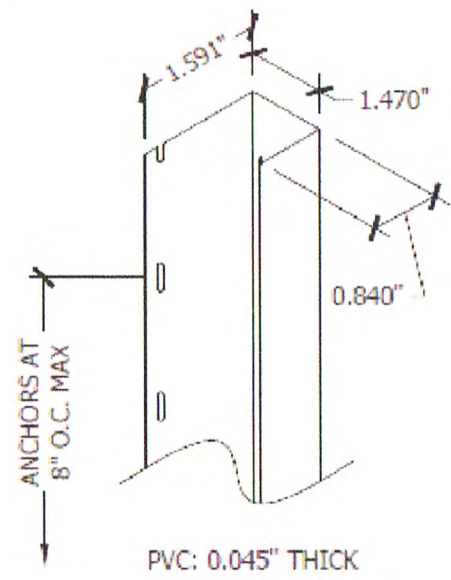


2
 11
TYPICAL SECTION
 VERTICAL SECTION

1
 11
TANDOSTONE™ CREEK LEDGESTONE
OR NOVIKSTONE™ CS
 EXTERIOR ELEVATION
 NOMINAL THICKNESS: 0.090"



STARTER STRIP AT
BOTTOM PANEL ROW
 ISOMETRIC



"J" CHANNEL (1-1/8")
AT WALL ENDS
 ISOMETRIC

PROJECT NO. 419-1011

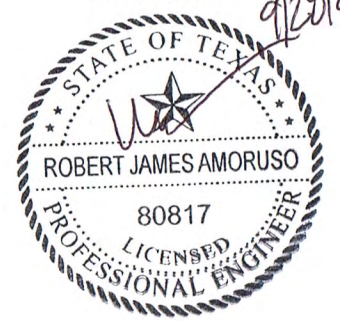
DERBY BUILDING PRODUCTS LLC
 1111 NW 165TH ST.
 MIAMI, FL 33169

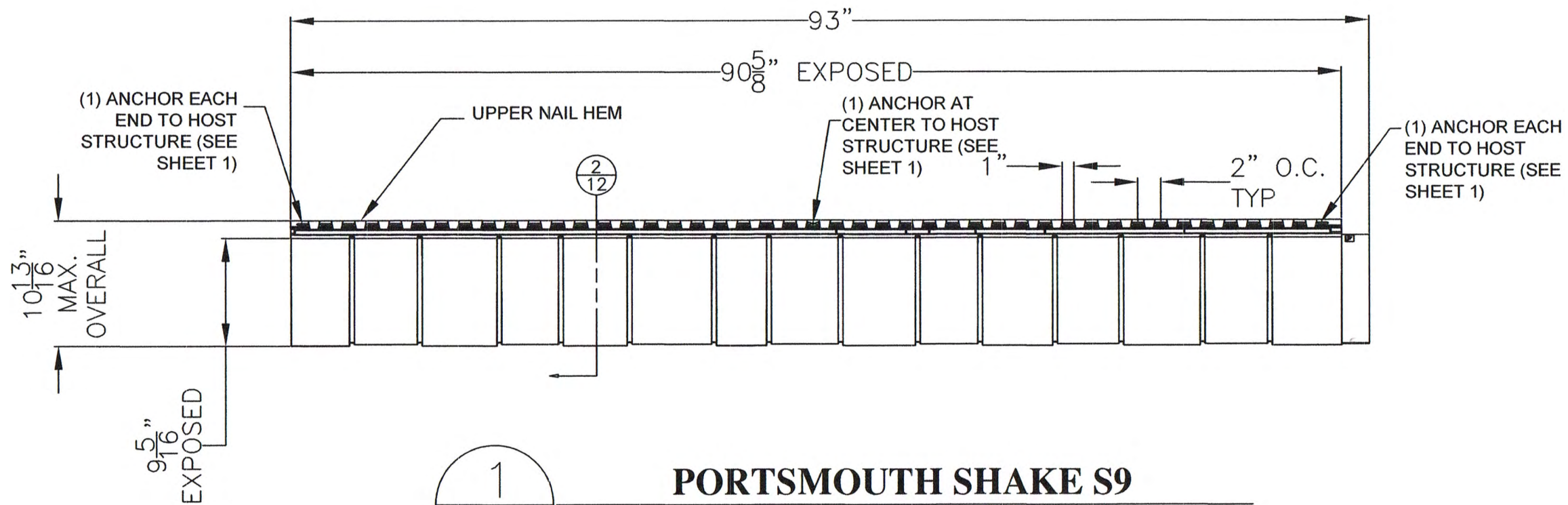
EXTERIOR WALL CLADDING
 POLYPROPYLENE SIDING (VARIOUS PROFILES)

DATE:	6/22/18
DRAWN BY:	RJA
SCALE:	N.T.S.
DRAWING NO.:	DERBY1001
REV:	2
SHEET:	11 OF 12

REV	DESCRIPTION	DATE	BY
2	ADDED PORTSOUTH S9	1/16/20	RJA

Robert J. Amoruso, P.E.
Texas PE No. 80817



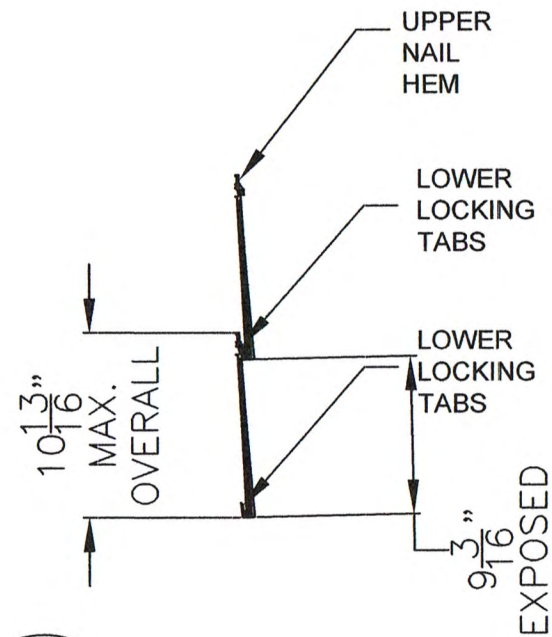


1
12

PORTSMOUTH SHAKE S9

EXTERIOR ELEVATION

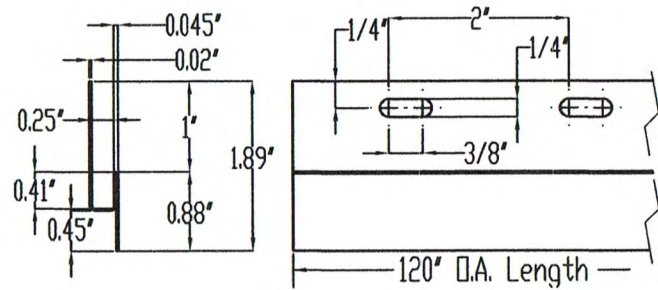
NOMINAL THICKNESS: 0.100"



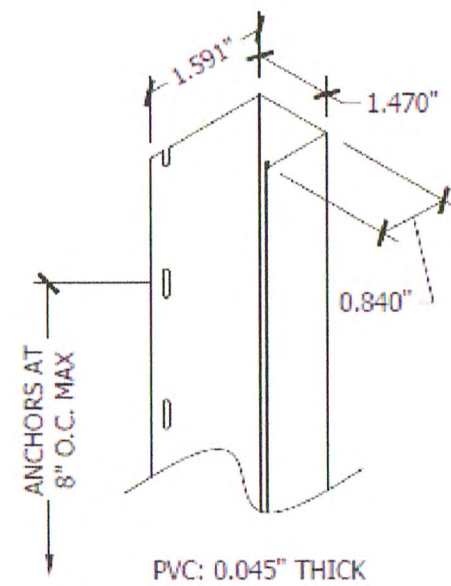
2
12

TYPICAL SECTION

VERTICAL SECTION



**STARTER STRIP AT
BOTTOM PANEL ROW**



**"J" CHANNEL (1-1/8")
AT WALL ENDS**

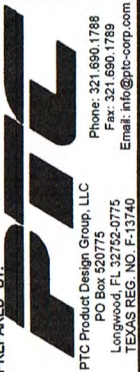
PROJECT NO. 419-1011

DERBY BUILDING PRODUCTS LLC
1111 NW 165TH ST.
MIAMI, FL 33169

TITLE: EXTERIOR WALL CLADDING
POLYPROPYLENE SIDING (VARIOUS PROFILES)

PREPARED BY: PTC
DRAWN BY: RJA
SCALE: N.T.S.
REV: 2

DATE: 6/22/18
DRAWING NO: DERBY1001
SHEET: 12 OF 12



Robert J. Amoruso, P.E.
Texas PE No. 80817

