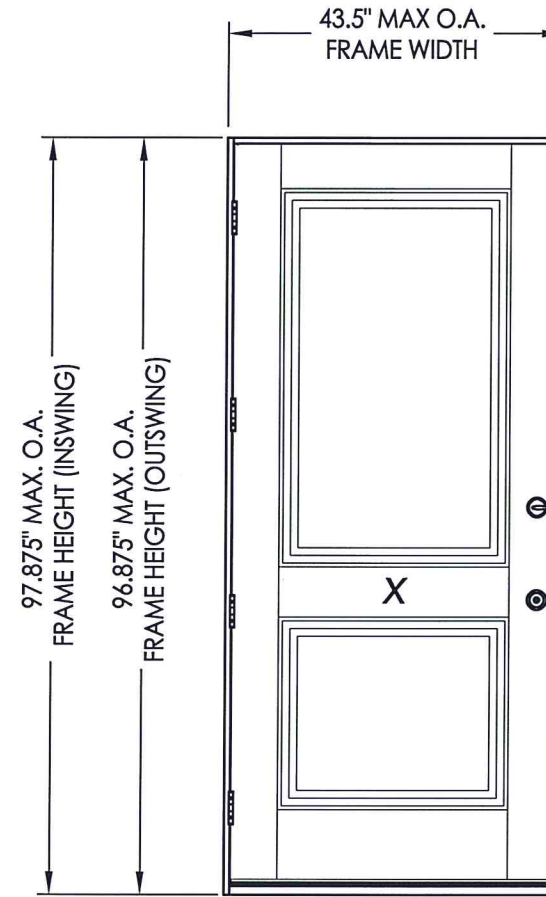


FIBERGLASS OPAQUE SINGLE DOOR

INSWING/OUTSWING "IMPACT"



EVALUATED FOR USE IN THE STATE OF TEXAS

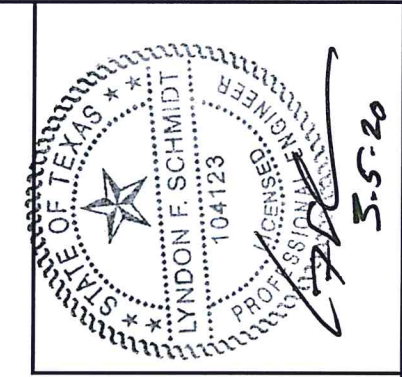
The Fiberglass Door system described herein complies with the 2018 International Residential Code (IRC), Sections R301 & R609 and the 2018 International Building Code (IBC), Sections 1404.13, 1609, 1709.5, 2403 and 2404 subject to the following conditions:

1. Anchors shall be as listed and spaced as shown in the details. Anchor embedment to base material shall be beyond wall dressing or stucco.
2. This system has been tested and evaluated as a large missile impact protective system for installation in areas that require wind borne debris protection. This product meets missile level "D" as defined in ASTM E 1996.
3. Allowable design pressure requirements must be equal to or less than the design pressure rating shown in the design pressure chart, sheet 1 of this drawing.
4. Conditions not covered by this drawing are subject to further engineering analysis.

TABLE OF CONTENTS

SHEET #	DESCRIPTION
1	Typical Elevations, Design Pressures & General Notes
2	Door Panel Details
3	Elevation
4	Horizontal & Vertical Cross Sections (2X Framing)
5	Horizontal & Vertical Cross Sections (1X Buck)
6	Vertical Cross Sections (Thresholds)
7	Frame Anchoring & Hardware Details
8	Bill of Materials & Components

CONFIGURATION	DESIGN PRESSURE (PSF) INSWING		DESIGN PRESSURE (PSF) OUTSWING	
	POSITIVE	NEGATIVE	POSITIVE	NEGATIVE
X	+75.0	-85.0	+75.0	-75.0



Documents Prepared By: Lyndon F. Schmidt, P.E.
TEXAS P.E. #104123

RW BUILDING CONSULTANTS, INC.
P.O. Box 230 Valrico FL, 33595
Phone No.: 813.659.9197
TEXAS BOARD OF PROFESSIONAL ENGINEERS
CERTIFICATE OF REGISTRATION # F-11852

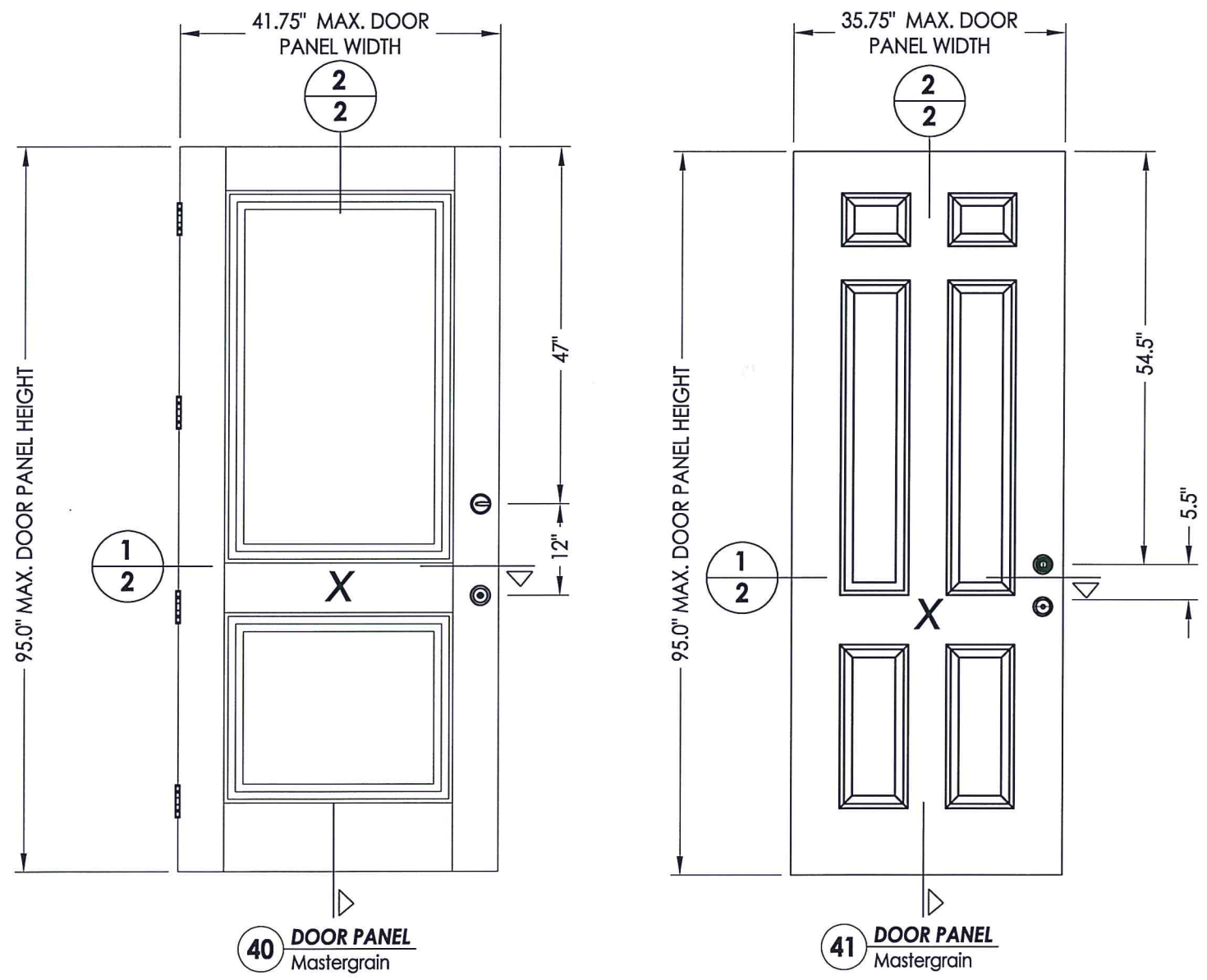
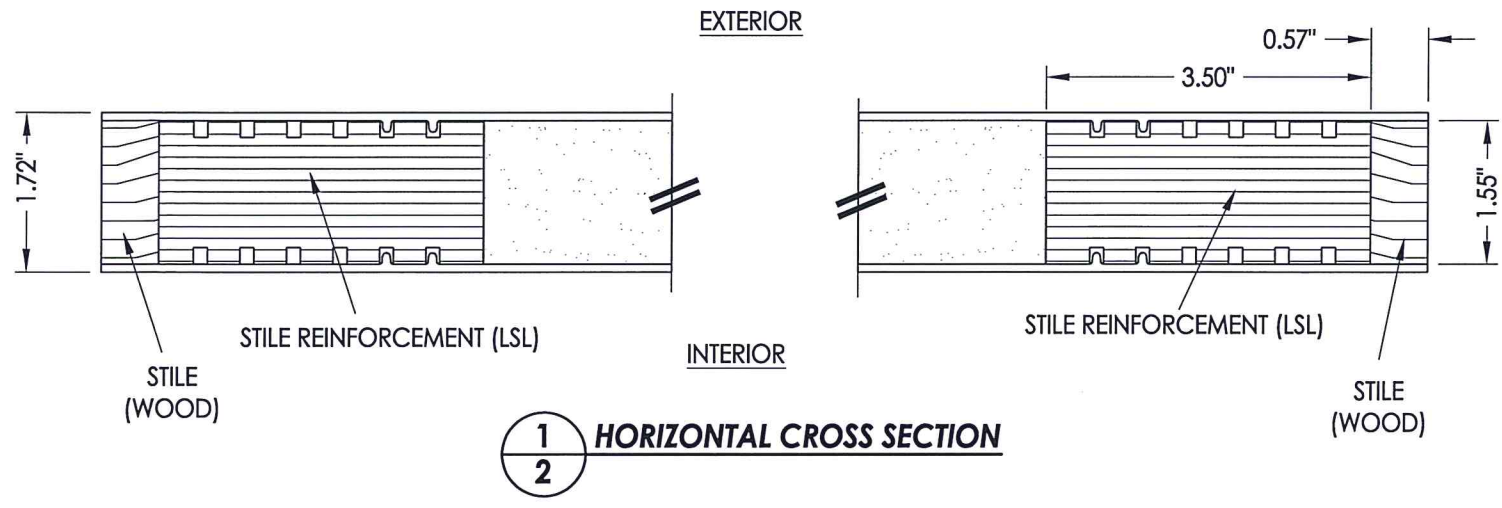
PRODUCT: MASTERGRAIN
FIBERGLASS DOOR

PART OR ASSEMBLY:
TYPICAL ELEVATION, DESIGN
PRESSURES & GENERAL NOTES

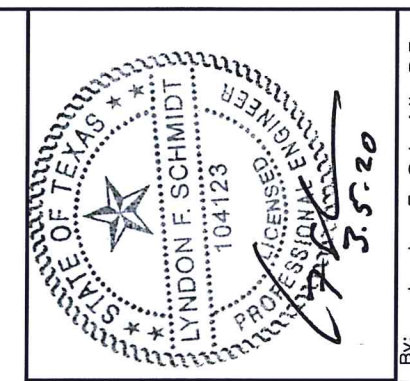
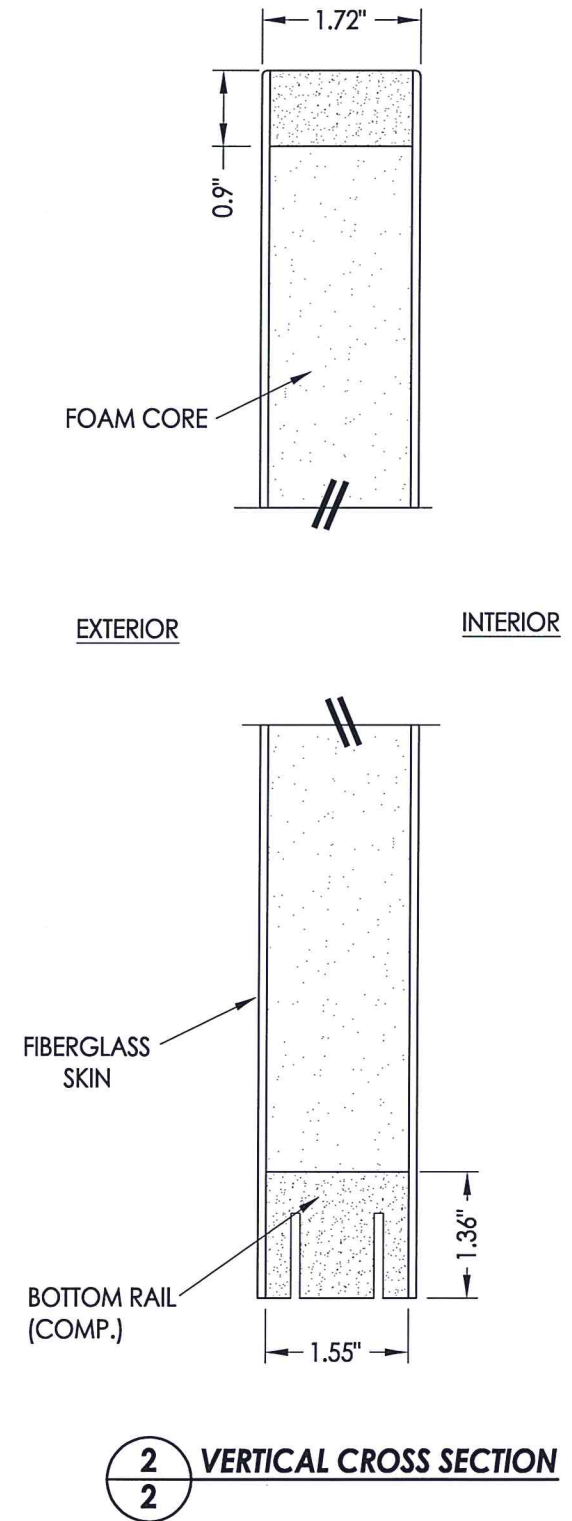
NO.	DATE	DESCRIPTION	BY
1	3/05/20	UPDATE TO 2018 IBC/IRC CODE	LFS

DATE: 8/30/18
SCALE: N.T.S.
DWG. BY: JK
CHK. BY: LFS
DRAWING NO.: TX-4885
SHEET 1 OF 8

R:\Clients\Mastergrain PERMANENT\B - Texas Dept of Ins\TDI - DR 989 Fiberglass Door - Opaque, Impact (8-0)\Drawings\TX-4885-87.dwg, 2.1



FIBERGLASS DOOR SKIN: 0.095" MIN. THK.
FOAM CORE: POLYURETHANE - 1.9 PCF MIN.

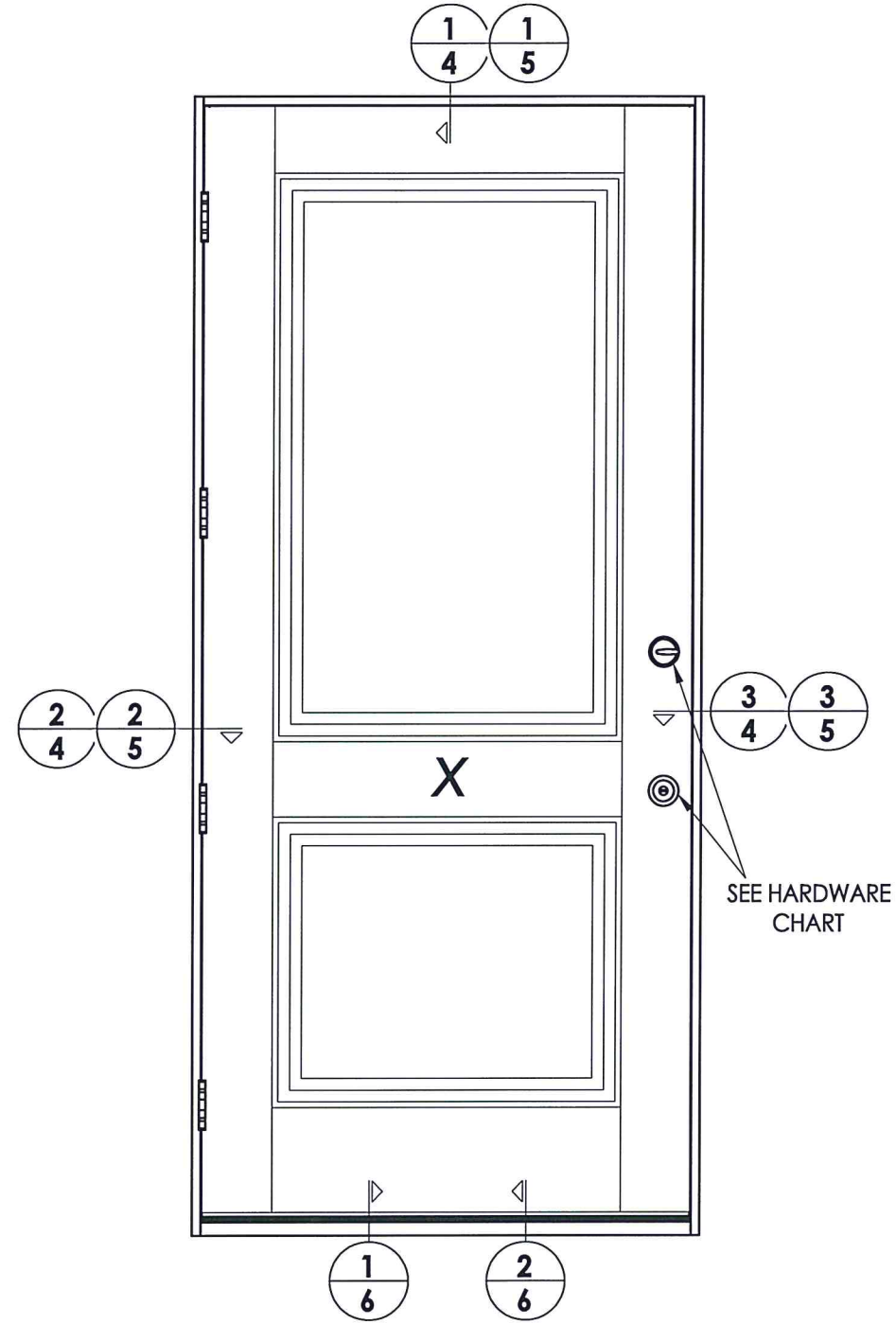


Documents Prepared By: Lyndon F. Schmidt, P.E.
TEXAS P.E. #104123

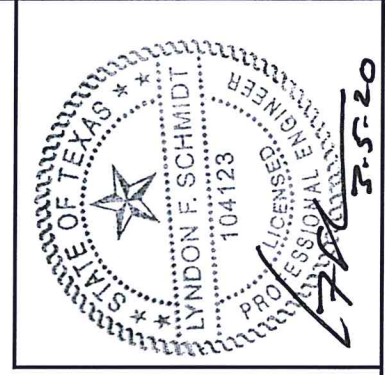
RW BUILDING CONSULTANTS, INC.
P.O. Box 230 Volrico FL 33595
Phone No.: 813.659.9197

TEXAS BOARD OF PROFESSIONAL ENGINEERS
CERTIFICATE OF REGISTRATION # F-11852

PRODUCT:		MASTERGRAIN FIBERGLASS DOOR	
PART OR ASSEMBLY:		DOOR PANEL DETAILS	
NO.	DATE	UPDATE TO 2018 IBC/IRC CODE	LFS
1	3/05/20		BY
REVISIONS			
DATE:		8/30/18	
SCALE:		N.T.S.	
DWG. BY:		JK	
CHK. BY:		LFS	
DRAWING NO.:		TX-4885	
SHEET		2 OF 8	



HARDWARE TABLE	
MANUFACTURER	MODEL
KWIKSET	KNOB: SIGNATURE SERIES DEADBOLT: SIGNATURE SERIES (980)
SCHLAGE	KNOB: F51 DEADBOLT: B60N
HOPPE	MULTIPOINT: HLS™ ONE (3 pt. Manual Tongue)

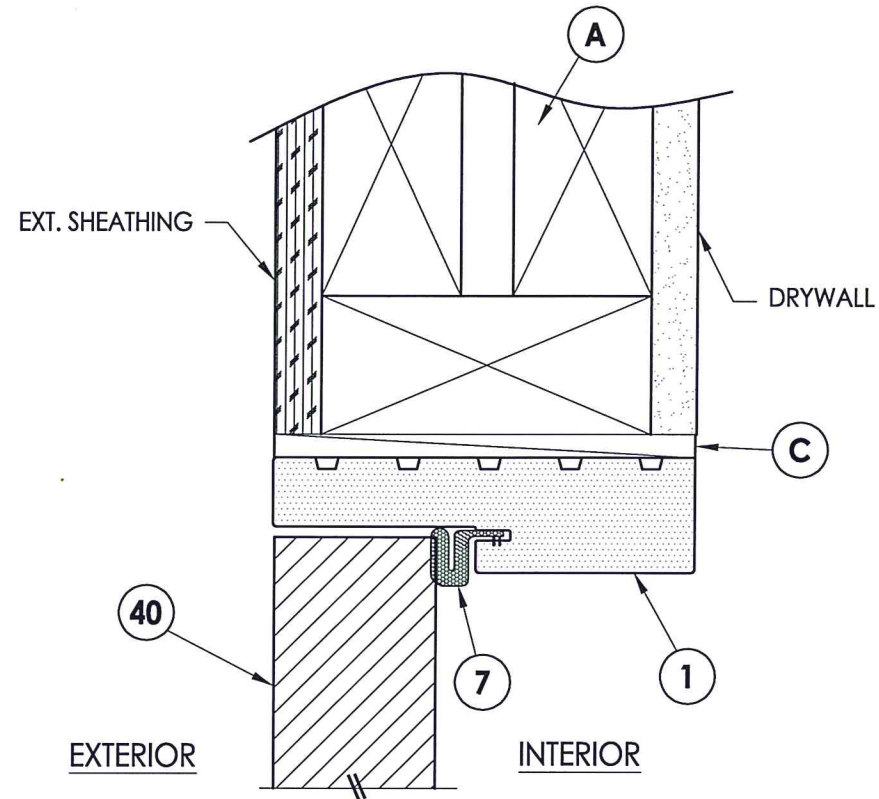


Documents Prepared By: Lyndon F. Schmidt, P.E.
TEXAS P.E. #104123

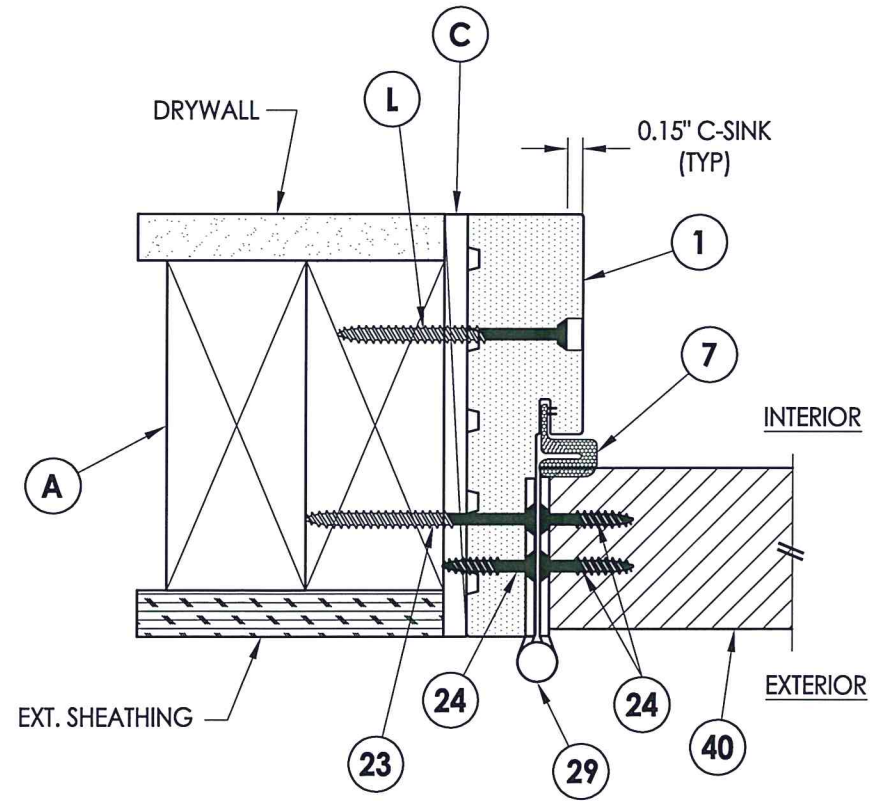
RW BUILDING CONSULTANTS, INC.
P.O. Box 230 Valrico FL 33595
Phone No.: 813.659.9197

TEXAS BOARD OF PROFESSIONAL ENGINEERS
CERTIFICATE OF REGISTRATION # F-11852

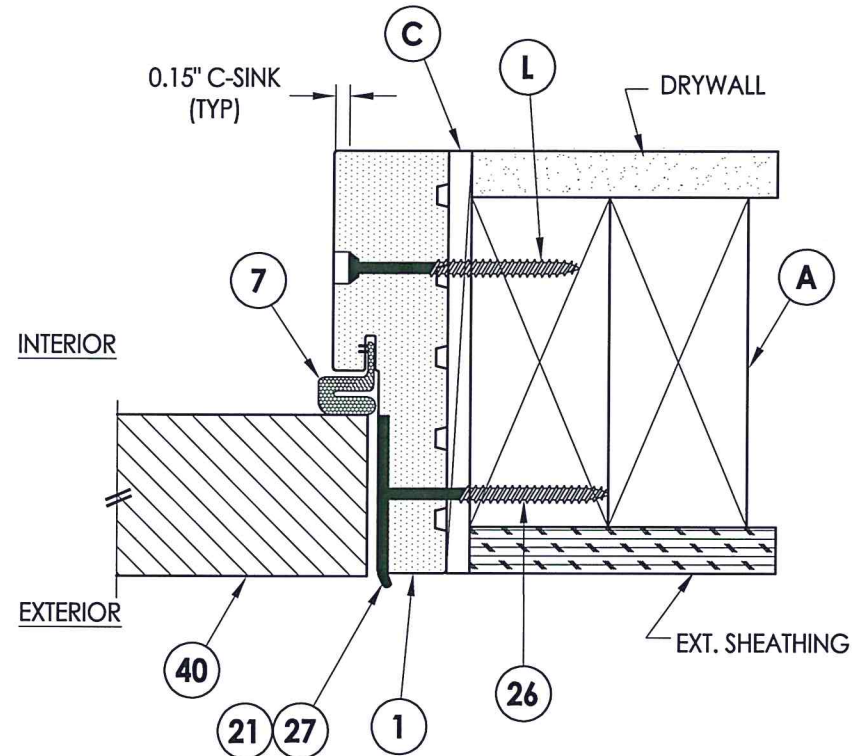
PRODUCT:	MASTERGRAIN FIBERGLASS DOOR		
PART OR ASSEMBLY:	ELEVATION		
DATE:	8/30/18		
SCALE:	N.T.S.		
DWG. BY:	JK		
CHK. BY:	LFS		
DRAWING NO.:	TX-4885		
SHEET	3 OF 8		
NO.	DATE	DESCRIPTION	BY
1	3/05/20	UPDATE TO 2018 IBC/IRC CODE	LFS
REVISIONS			



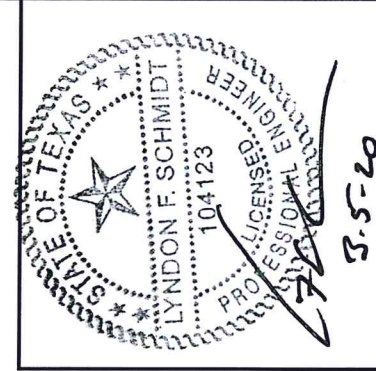
1 VERTICAL CROSS SECTION
 4 Shown w/ 2X Buck
 Outswing shown (Inswing similar)



2 HORIZONTAL CROSS SECTION
 4 Shown w/ 2X Buck
 Outswing shown (Inswing similar)



3 HORIZONTAL CROSS SECTION
 4 Shown w/ 2X Buck
 Outswing shown (Inswing similar)



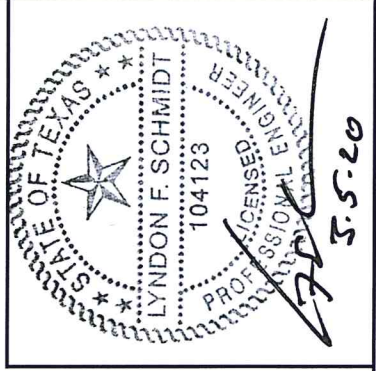
Documents Prepared By: Lyndon F. Schmidt, P.E.
 TEXAS P.E. #104123

RW BUILDING CONSULTANTS, INC.
 P.O. Box 230 Valrico FL, 33595
 Phone No.: 813.659.9197
 TEXAS BOARD OF PROFESSIONAL ENGINEERS
 CERTIFICATE OF REGISTRATION # F-11852

PRODUCT: MASTERGRAIN FIBERGLASS DOOR
 PART OR ASSEMBLY: HORIZONTAL & VERTICAL CROSS SECTIONS (2X BUCK)

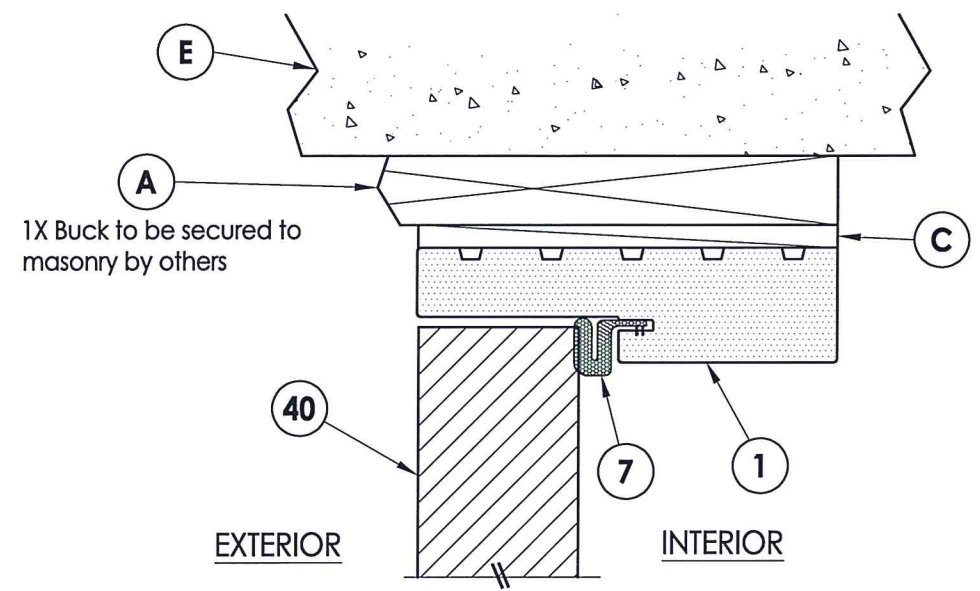
NO.	DATE	REVISIONS
1	3/05/20	UPDATE TO 2018 IBC/IRC CODE
LFS		BY

DATE: 8/30/18
 SCALE: N.T.S.
 DWG. BY: JK
 CHK. BY: LFS
 DRAWING NO.: TX-4885
 SHEET 4 OF 8

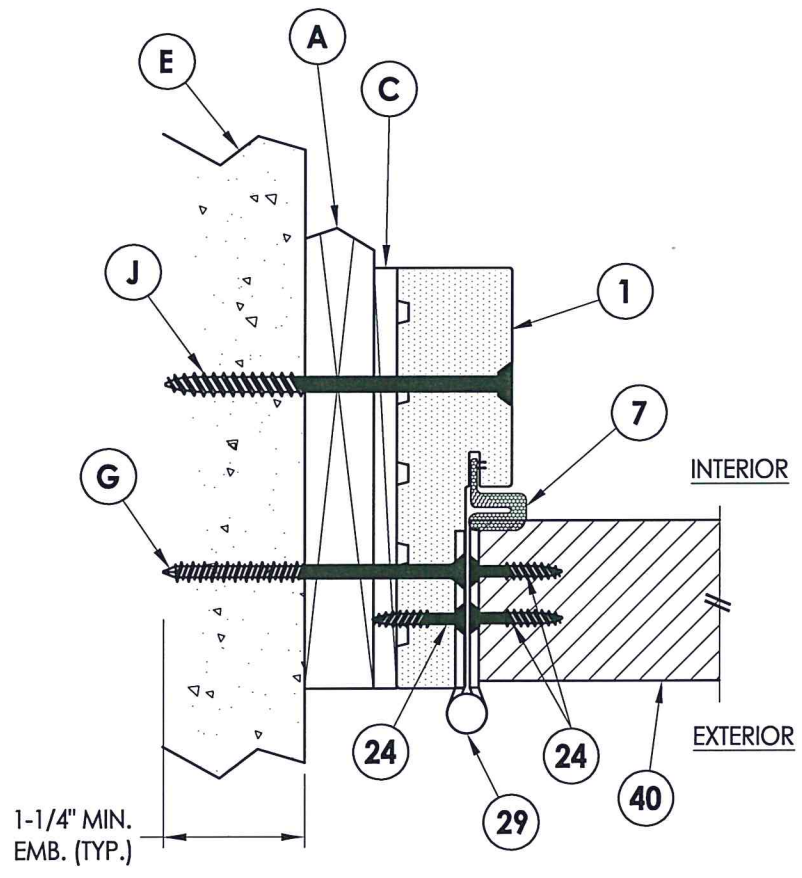


Documents Prepared By: Lyndon F. Schmidt, P.E.
TEXAS P.E. #104123

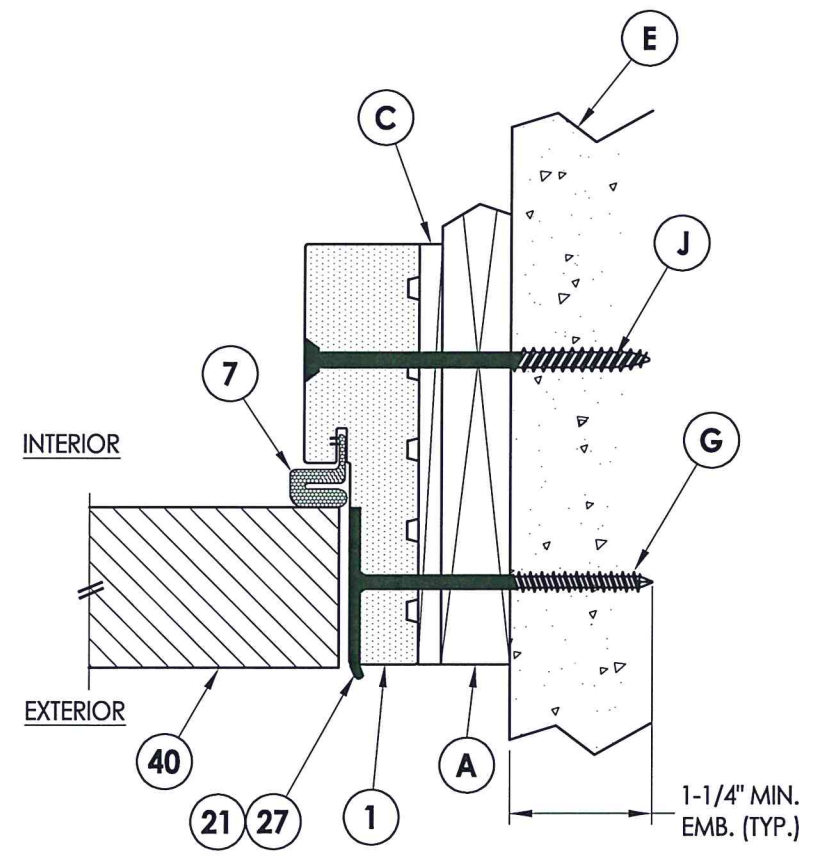
RW BUILDING CONSULTANTS, INC.
P.O. Box 230 Valrico FL 33595
Phone No.: 813.659.9197
TEXAS BOARD OF PROFESSIONAL ENGINEERS
CERTIFICATE OF REGISTRATION # F-11852



1 VERTICAL CROSS SECTION
5 Shown w/ 1X sub-buck
Outswing shown (Inswing similar)



2 HORIZONTAL CROSS SECTION
5 Shown w/ 1X sub-buck
Outswing shown (Inswing similar)

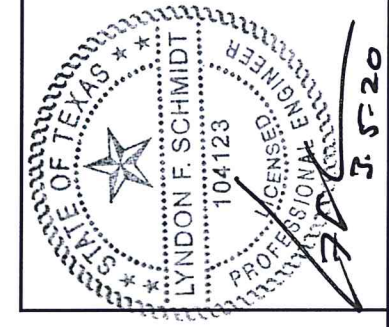
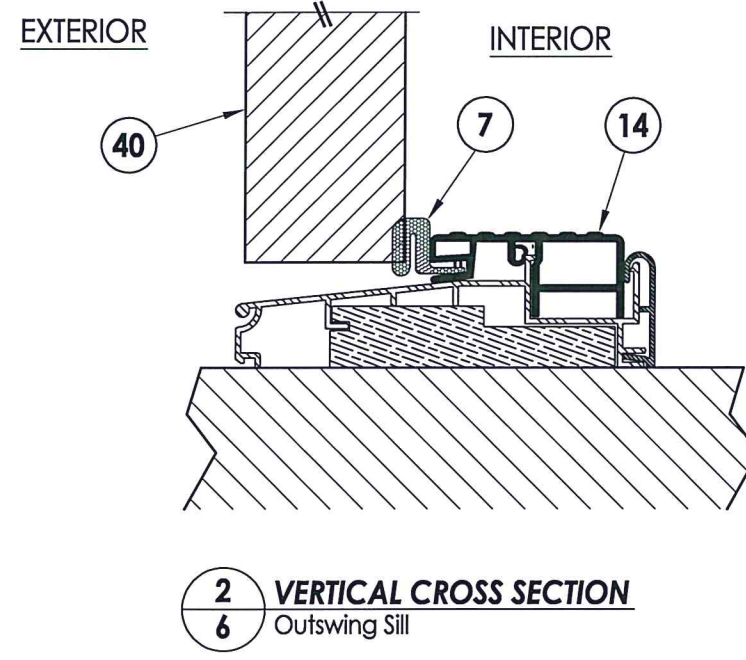
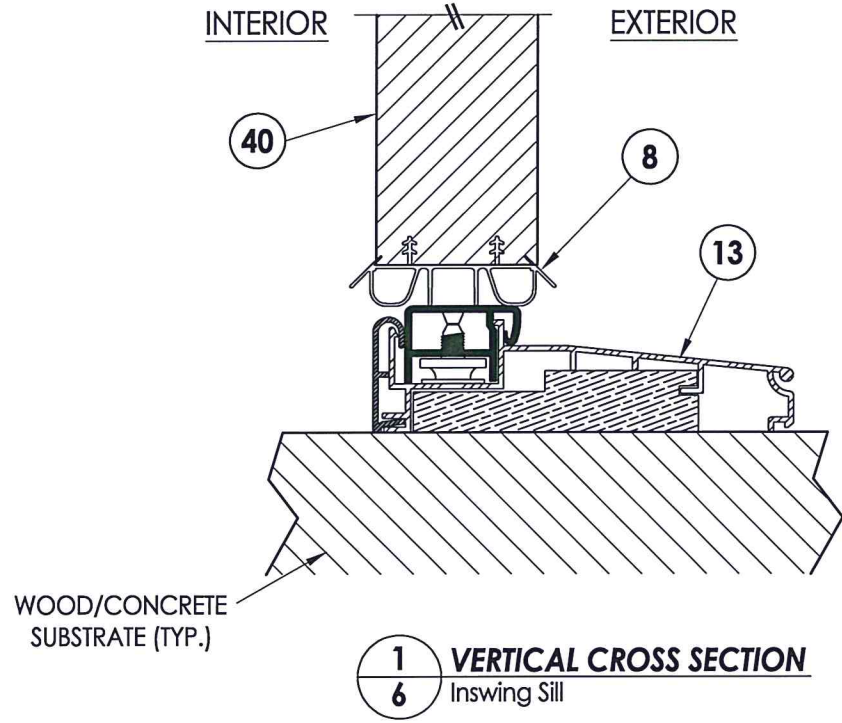


3 HORIZONTAL CROSS SECTION
5 Shown w/ 1X sub-buck
Outswing shown (Inswing similar)

PRODUCT: MASTERGRAIN FIBERGLASS DOOR
PART OR ASSEMBLY: HORIZONTAL & VERTICAL CROSS SECTIONS (1X BUCK)

NO.	DATE	DESCRIPTION	BY
1	3/05/20	UPDATE TO 2018 IBC/IRC CODE	LFS
REVISIONS			

DATE: 8/30/18
SCALE: N.T.S.
DWG. BY: JK
CHK. BY: LFS
DRAWING NO.: TX-4885
SHEET 5 OF 8



Documents Prepared By: Lyndon F. Schmidt, P.E.
TEXAS P.E. #104123

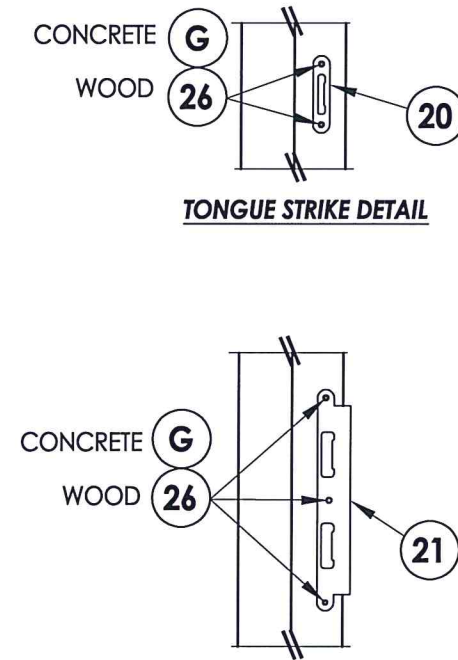
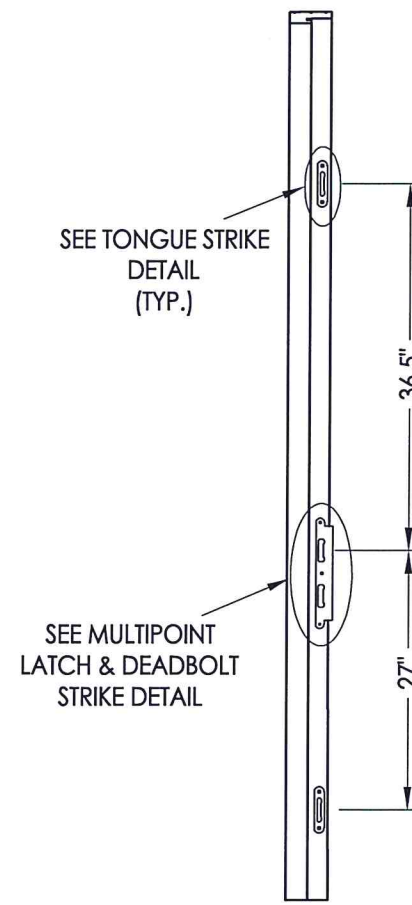
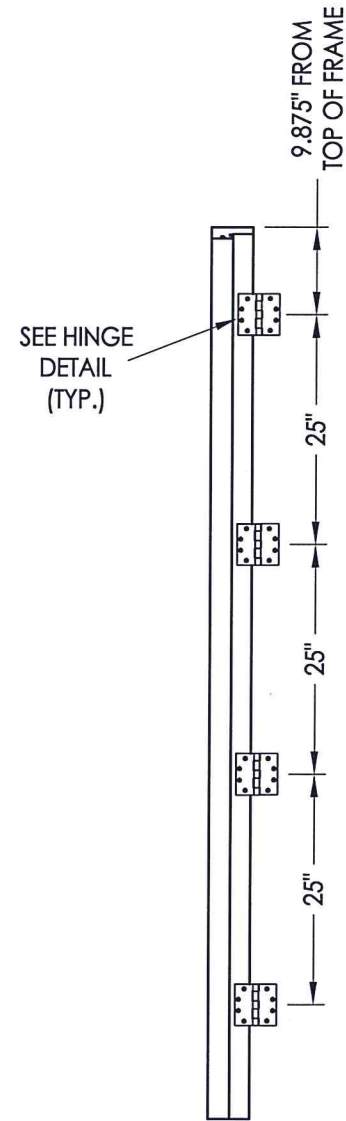
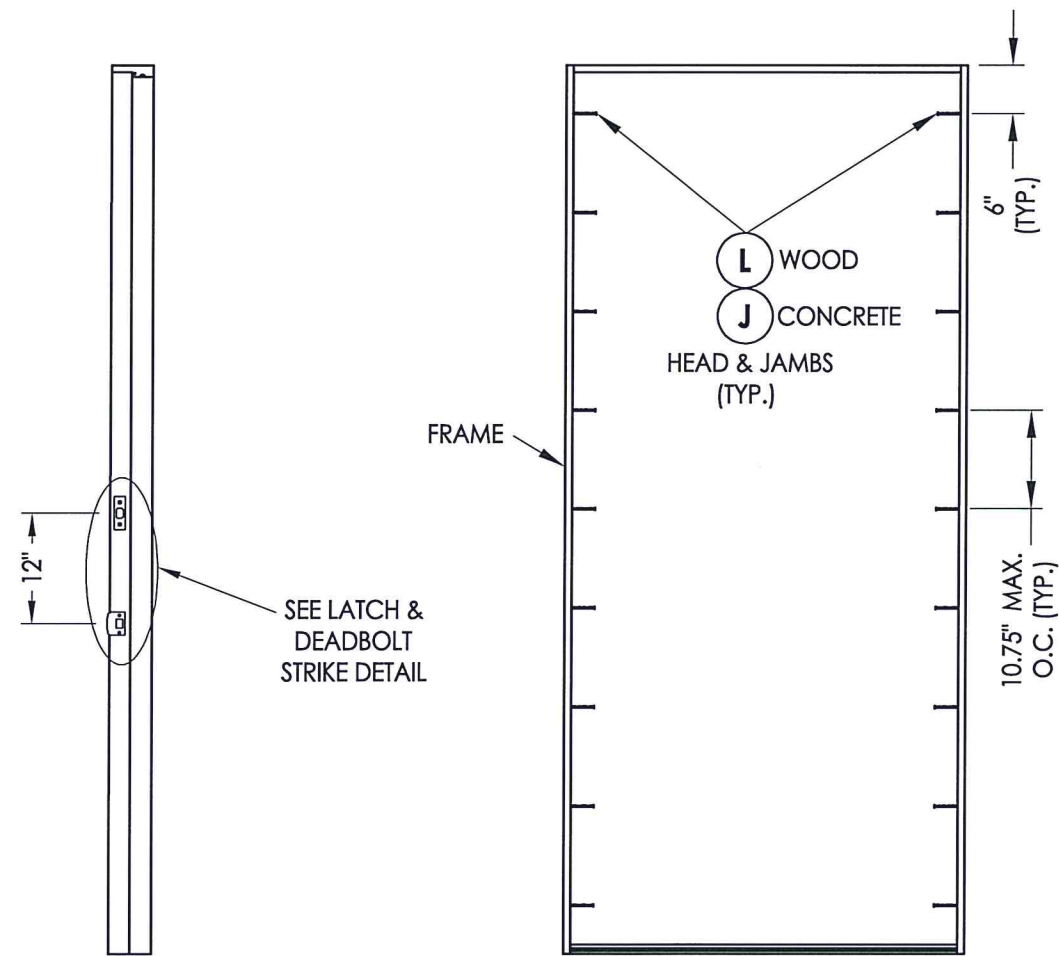
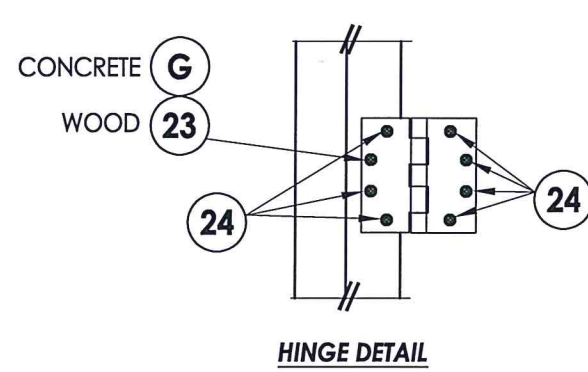
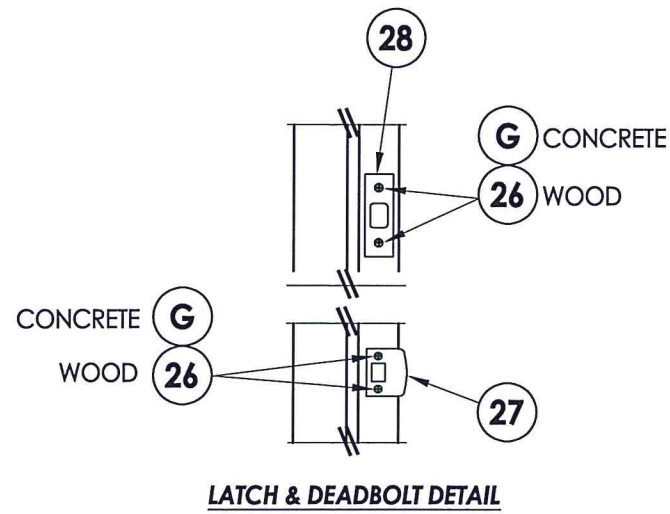
RW BUILDING CONSULTANTS, INC.
P.O. Box 230 Valrico FL, 33595
Phone No.: 813.659.9197

TEXAS BOARD OF PROFESSIONAL ENGINEERS
CERTIFICATE OF REGISTRATION # F-11852

PRODUCT: MASTERGRAIN FIBERGLASS DOOR
PART OR ASSEMBLY: VERTICAL CROSS SECTIONS (THRESHOLDS)

NO.	DATE	REVISIONS
1	3/05/20	UPDATE TO 2018 IBC/IRC CODE
		LFS
		BY

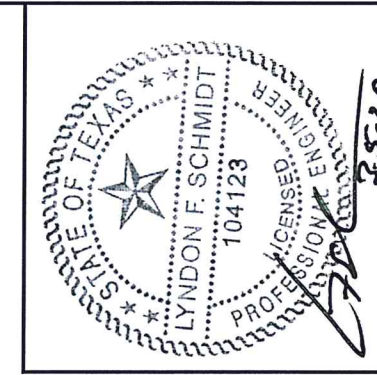
DATE: 8/30/18
SCALE: N.T.S.
DWG. BY: JK
CHK. BY: LFS
DRAWING NO.: TX-4885
SHEET 6 OF 8



MULTIPOINT LATCH & DEADBOLT STRIKE DETAIL

LATCH & DEADBOLT HARDWARE DETAILS

MULTIPOINT LOCK HARDWARE DETAILS



Documents Prepared By: Lyndon F. Schmidt, P.E.
 TEXAS P.E. #104123

RW BUILDING CONSULTANTS, INC.
 P.O. Box 230 Valrico FL, 33595
 Phone No.: 813.659.9197

TEXAS BOARD OF PROFESSIONAL ENGINEERS
 CERTIFICATE OF REGISTRATION # F-11852

PRODUCT:	MASTERGRAIN FIBERGLASS DOOR
PART OR ASSEMBLY:	HARDWARE DETAILS

NO.	DATE	DESCRIPTION	BY
1	3/05/20	UPDATE TO 2018 IBC/IRC CODE	LFS

DATE:	8/30/18
SCALE:	N.T.S.
DWG. BY:	JK
CHK. BY:	LFS
DRAWING NO.:	TX-4885
SHEET	7 OF 8

R:\Clients\Mastergrain PERMANENT\B - Texas Dept of Ins\TDI - DR 989 Fiberglass Door - Opaque, Impact (8-0)\Drawings\TX-4885-87.dwg, 8.1

BILL OF MATERIALS		
ITEM #	DESCRIPTION	MATERIAL
A	2X FRAMING (SG >= 0.42)	WOOD
B	1X BUCK (SG >= 0.42)	WOOD
C	1/4" MAX. SHIM SPACE	-
E	MASONRY - 3,000 PSI MIN. CONCRETE CONFORMING TO ACI 301 OR HOLLOW BLOCK CONFORMING TO ASTM C90	CONCRETE
G	3/16" X 3-1/4" PFH ITW CONCRETE SCREW	STEEL
J	1/4" X 3-3/4" PFH ELCO OR ITW CONCRETE SCREW	STEEL
L	#10 X 2-1/2" PFH WOOD SCREW (1.15" MIN. EMBEDMENT)	STEEL
1	COMPOSITE JAMB	COMP
7	WEATHERSTRIP	FOAM
8	SWEEP	VINYL
13	INSWING ADJUSTABLE THRESHOLD	ALUM/COMP
14	OUTSWING BUMP THRESHOLD	ALUM/COMP
20	MULTIPOINT TONGUE STRIKE PLATE	STEEL
21	MULTIPOINT LATCH & DEADBOLT STRIKE PLATE	STEEL
23	#12 X 2-1/2" PFH WOOD SCREW	STEEL
24	#12 x 1" PFH WOOD SCREW	STEEL
26	#8 X 2-1/2" PFH WOOD SCREW	STEEL
27	LATCH STRIKE PLATE	STEEL
28	DEADBOLT STRIKE PLATE	STEEL
29	4.5" X 4.5" HINGE	STEEL
40	DOOR PANEL	-
41	DOOR PANEL	-

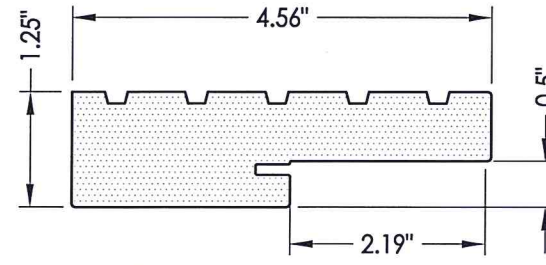
CONCRETE ANCHOR NOTES:

- Concrete anchor locations at the corners may be adjusted to maintain the min. edge distance to mortar joints.
- Concrete anchor locations noted as "MAX. ON CENTER" must be adjusted to maintain the min. edge distance to mortar joints, additional concrete anchors may be required to ensure the "MAX. ON CENTER" dimension are not exceeded.
- Concrete anchor table:

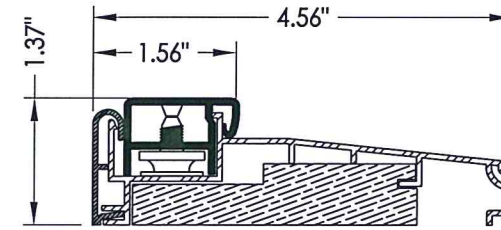
ANCHOR TYPE	ANCHOR SIZE	MIN. EMBEDMENT	MIN. CLEARANCE TO MASONRY EDGE	MIN. CLEARANCE TO ADJACENT ANCHOR
ITW TAPCON®	1/4"	1-1/4"	2"	4"
ELCO ULTRACON®	1/4"	1-1/4"	1"	4"
ITW TAPCON®	3/16"	1-1/4"	3"	1-1/2"

WOOD SCREW INSTALLATION NOTES:

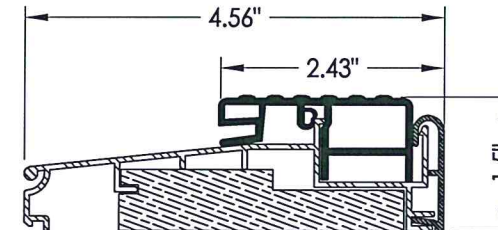
- Maintain a minimum 5/8" edge distance, 1" end distance, & 1" o.c. spacing of wood screws to prevent the splitting of wood.



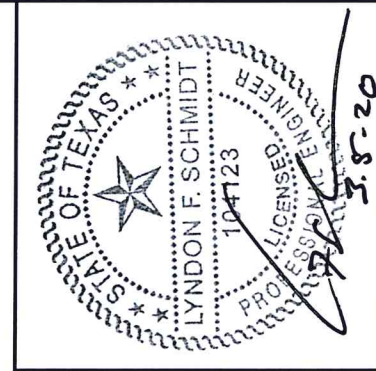
1 COMPOSITE JAMB
WORLDWIDE



13 INSWING THRESHOLD
WORLDWIDE



14 OUTSWING THRESHOLD
WORLDWIDE



Documents Prepared By: Lyndon F. Schmidt, P.E.
TEXAS P.E. #104123

RW BUILDING CONSULTANTS, INC.
P.O. Box 230 Valrico FL 33595
Phone No.: 813.659.9197
TEXAS BOARD OF PROFESSIONAL ENGINEERS
CERTIFICATE OF REGISTRATION # F-11852

PRODUCT: MASTERGRAIN FIBERGLASS DOOR
PART OR ASSEMBLY: BILL OF MATERIALS AND COMPONENTS

NO.	DATE	REVISIONS
1	3/05/20	UPDATE TO 2018 IBC/IRC CODE
		LFS
		BY

DATE: 8/30/18
SCALE: N.T.S.
DWG. BY: JK
CHK. BY: LFS
DRAWING NO.: TX-4885
SHEET 8 OF 8