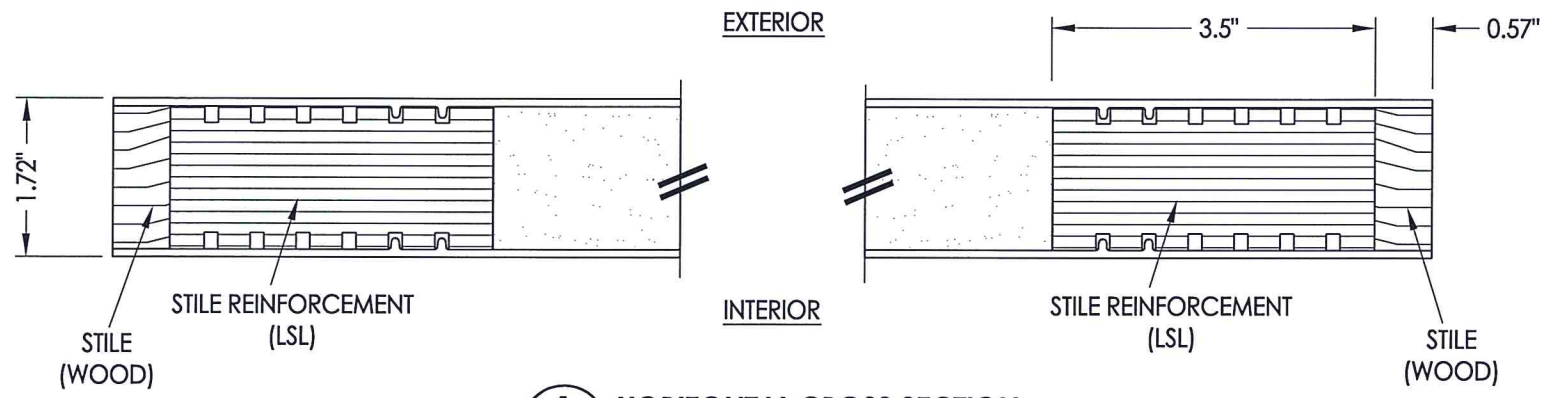
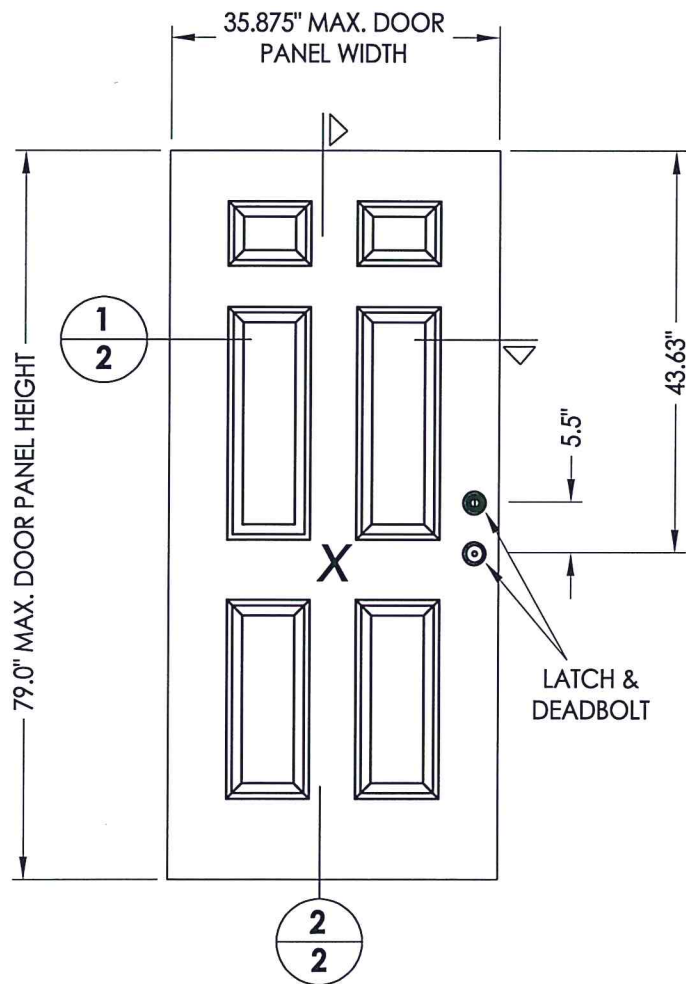


R:\Clients\Mastergrain PERMANENT\B - Texas Dept of Ins\TDI - DR 988 Fiberglass Door - Opaque, Impact (6-8)\Drawings\TX-4882-84.dwg, 2.2

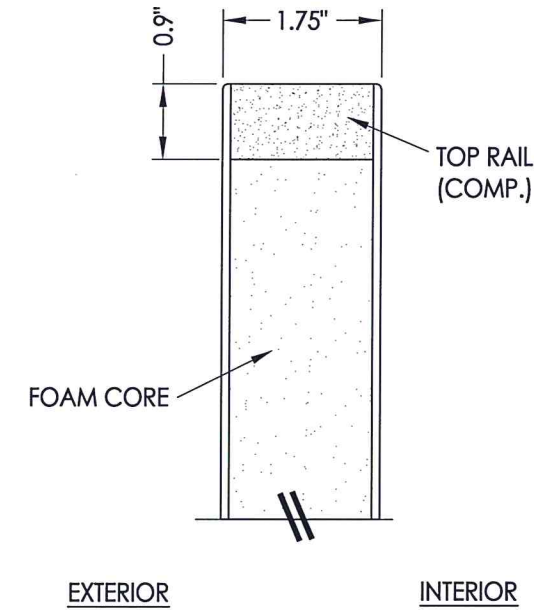


1
2 HORIZONTAL CROSS SECTION

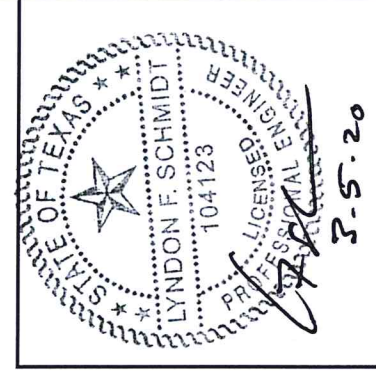


40 DOOR PANEL
Mastergrain

FIBERGLASS DOOR SKIN: 0.095" MIN. THK.
FOAM CORE: POLYURETHANE - 1.9 PCF MIN.



2
2 VERTICAL CROSS SECTION



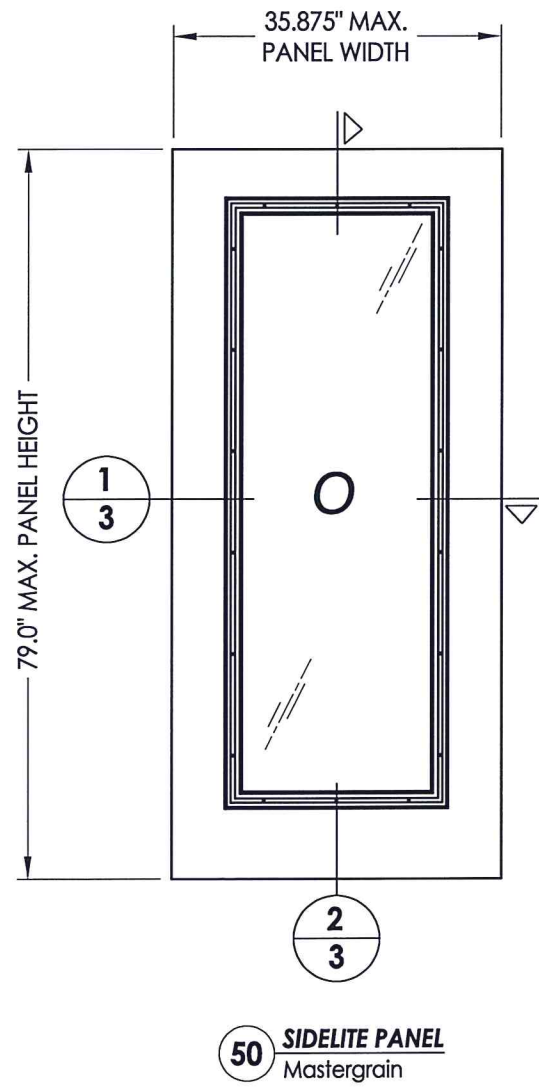
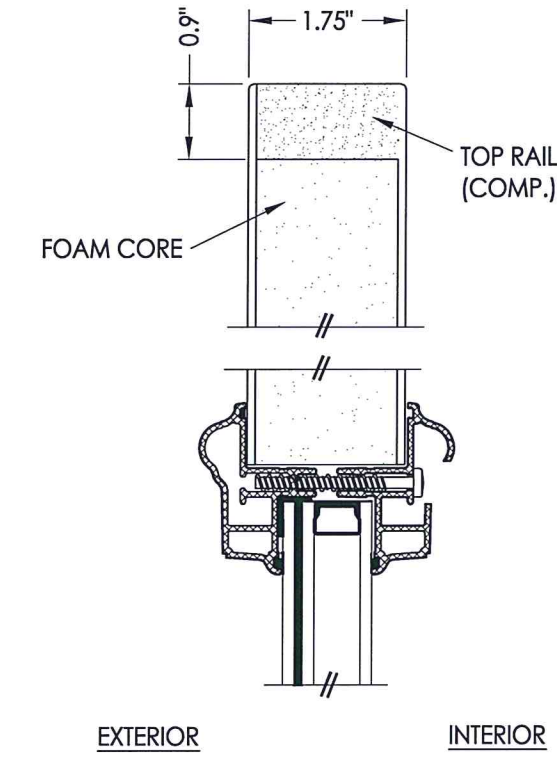
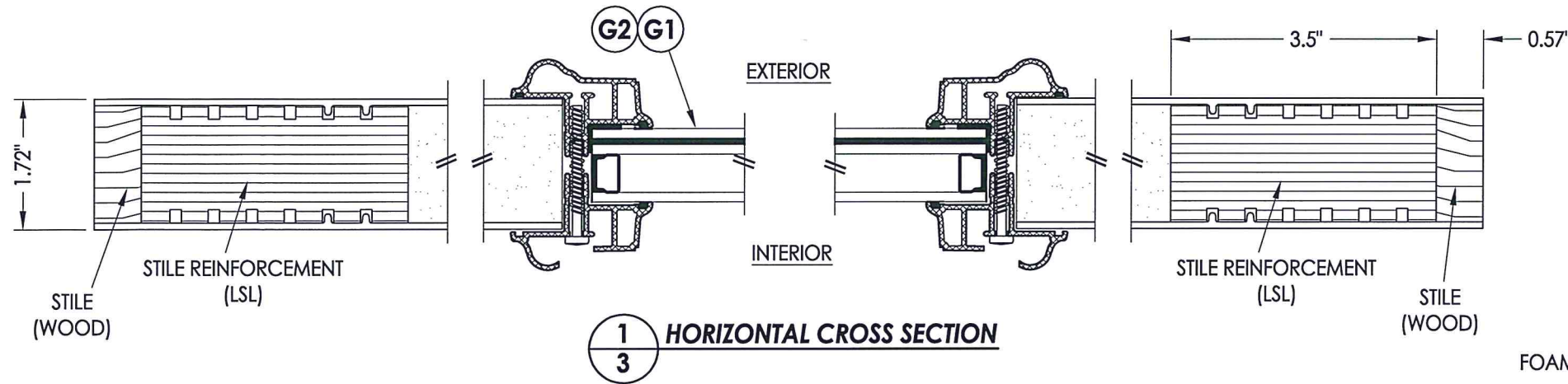
Documents Prepared By: Lyndon F. Schmidt, P.E.
TEXAS P.E. #104123

RW BUILDING CONSULTANTS, INC.
P.O. Box 230 Vairico FL 33595
Phone No.: 813.659.9197
TEXAS BOARD OF PROFESSIONAL ENGINEERS
CERTIFICATE OF REGISTRATION # F-11852

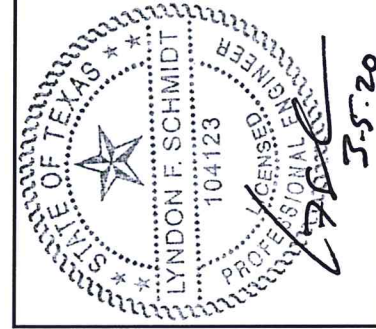
PRODUCT:	MASTERGRAIN FIBERGLASS DOOR
PART OR ASSEMBLY:	DOOR PANEL DETAILS

NO.	DATE	DESCRIPTION	BY
1	3/05/20	UPDATE TO 2018 IBC/IRC CODE	LFS

DATE:	8/30/18
SCALE:	N.T.S.
DWG. BY:	JK
CHK. BY:	LFS
DRAWING NO.:	TX-4883
SHEET	2 OF 12



FIBERGLASS SIDELITE SKIN: 0.095" MIN. THK.
FOAM CORE: POLYURETHANE - 1.9 PCF MIN.



Documents Prepared By: Lyndon F. Schmidt, P.E.
TEXAS P.E. #104123

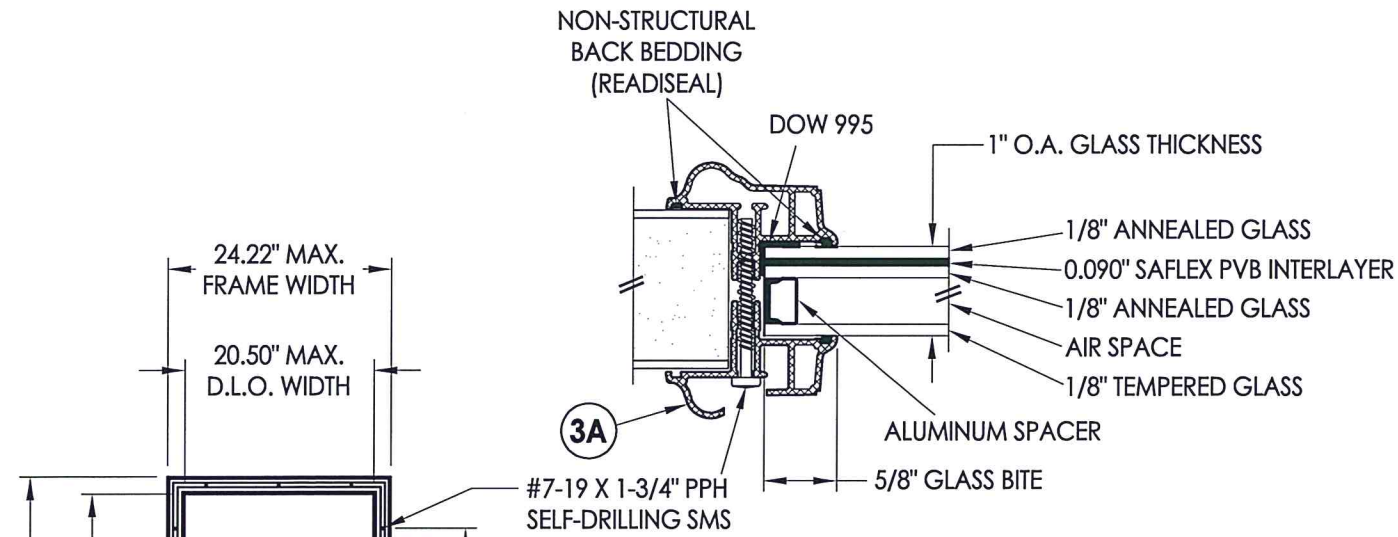
RW BUILDING CONSULTANTS, INC.
P.O. Box 230 Valrico FL 33595
Phone No.: 813.659.9197

TEXAS BOARD OF PROFESSIONAL ENGINEERS
CERTIFICATE OF REGISTRATION # F-11852

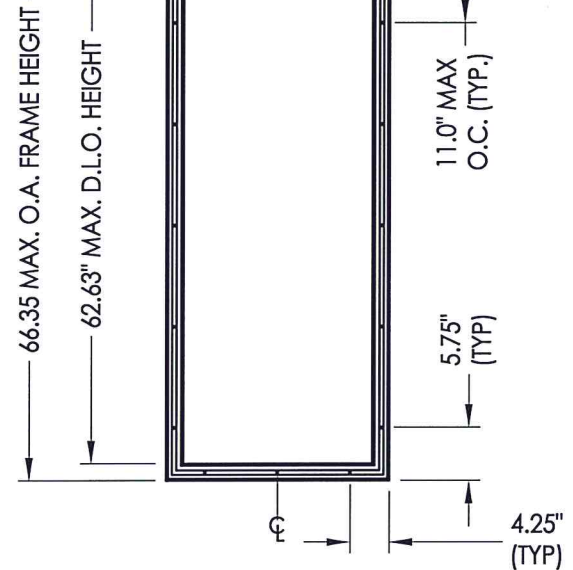
PRODUCT:	MASTERGRAIN FIBERGLASS DOOR
PART OR ASSEMBLY:	DOOR PANEL DETAILS

NO.	DATE	DESCRIPTION	BY
1	3/05/20	UPDATE TO 2018 IBC/IRC CODE	LFS

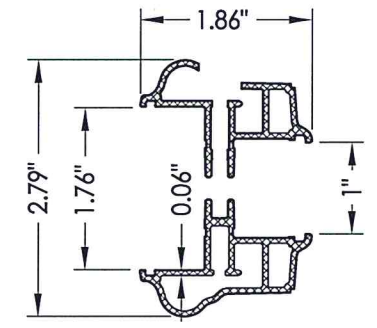
DATE:	8/30/18
SCALE:	N.T.S.
DWG. BY:	JK
CHK. BY:	LFS
DRAWING NO.:	TX-4883
SHEET	3 OF 12



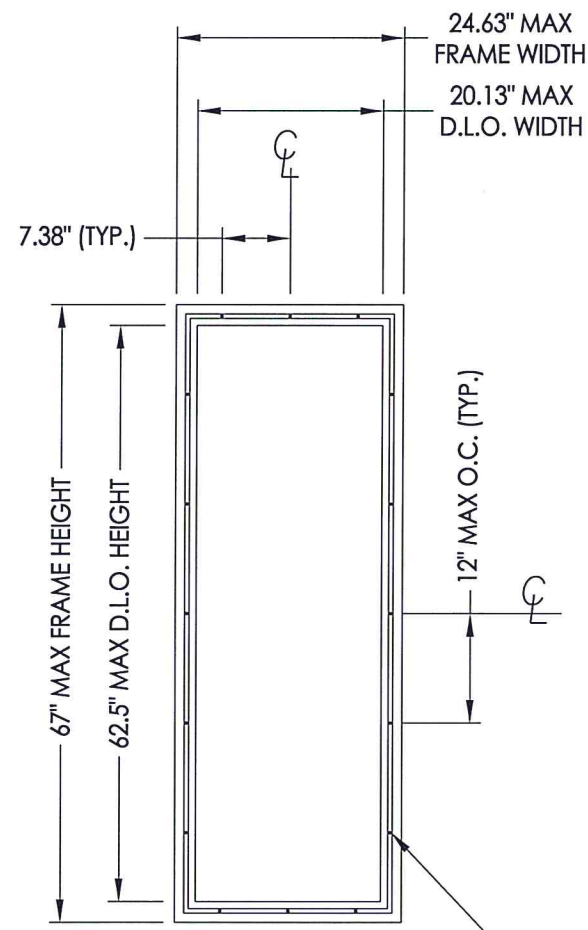
G1 GLAZING DETAIL



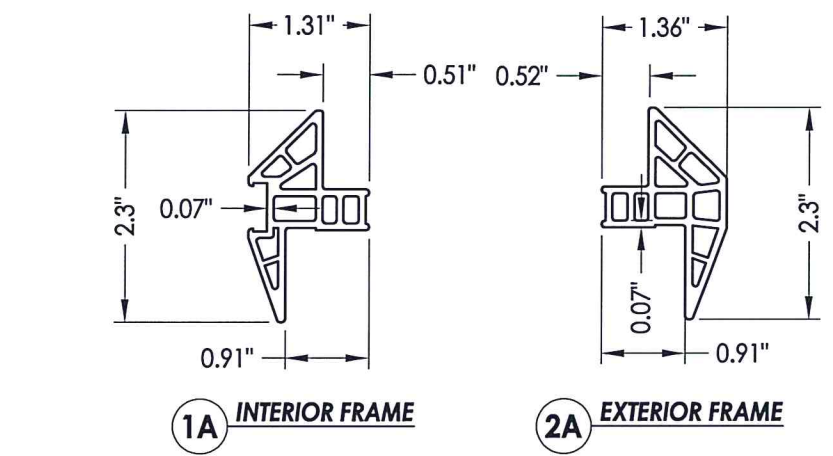
ODL LITE FRAME DETAIL



3A ODL LITE FRAME
Aluminum

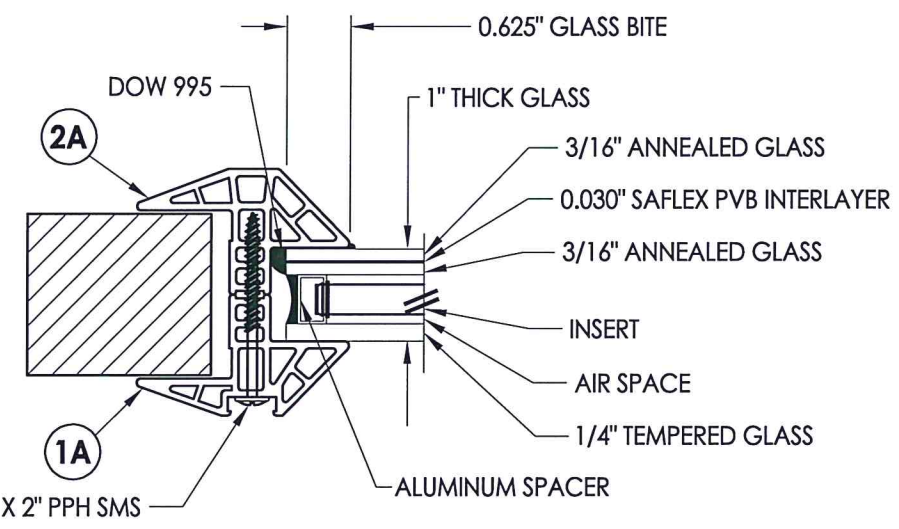


PVC LITE FRAME

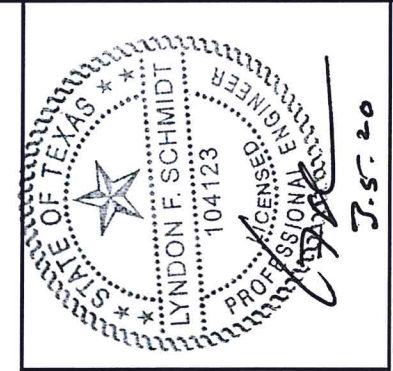


1A INTERIOR FRAME

2A EXTERIOR FRAME



G2 GLAZING DETAIL



Documents Prepared By: Lyndon F. Schmidt, P.E.
TEXAS P.E. #104123

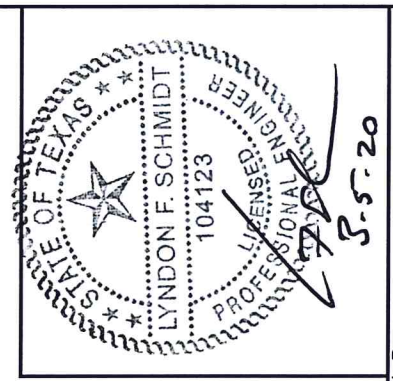
RW BUILDING CONSULTANTS, INC.
P.O. Box 230 Valrico FL, 33595
Phone No.: 813.659.9197

TEXAS BOARD OF PROFESSIONAL ENGINEERS
CERTIFICATE OF REGISTRATION # F-11852

PRODUCT:	MASTERGRAIN FIBERGLASS DOOR
PART OR ASSEMBLY:	GLAZING DETAILS

NO.	DATE	DESCRIPTION	BY
1	3/05/20	UPDATE TO 2018 IBC/IRC CODE	LFS

DATE:	8/30/18
SCALE:	N.T.S.
DWG. BY:	JK
CHK. BY:	LFS
DRAWING NO.:	TX-4883
SHEET	4 OF 12

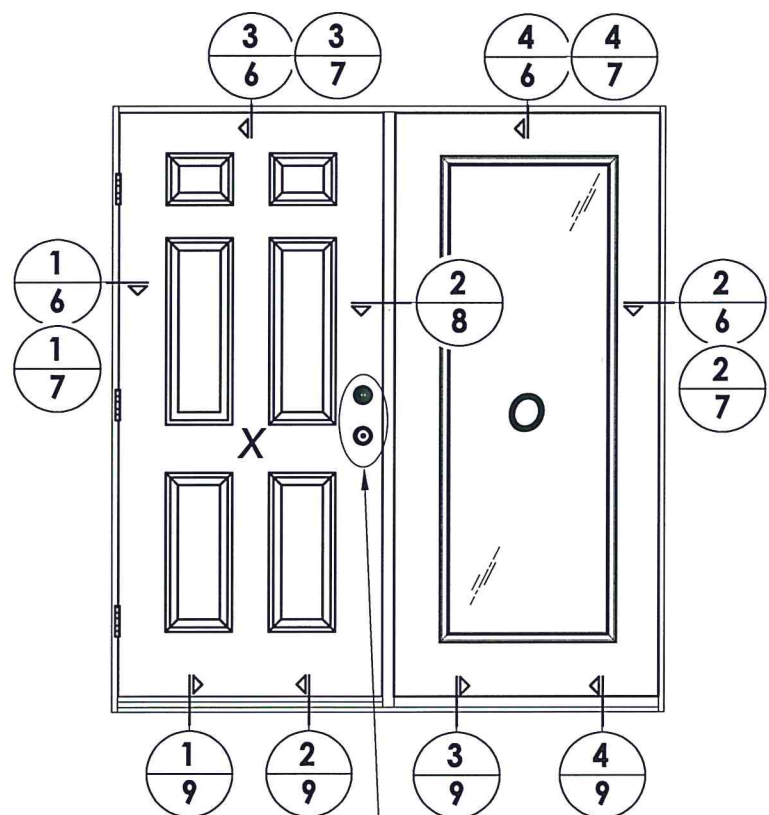


HARDWARE TABLE	
MANUFACTURER	MODEL
PAMEX	KNOB: FLU600 DEADBOLT: FD261
KWIKSET	KNOB: SIGNATURE SERIES DEADBOLT: SIGNATURE SERIES (980)
SCHLAGE	KNOB: F51 DEADBOLT: B60N
HOPPE	MULTIPOINT: HLS™ ONE (3 pt. Manual Tongue)

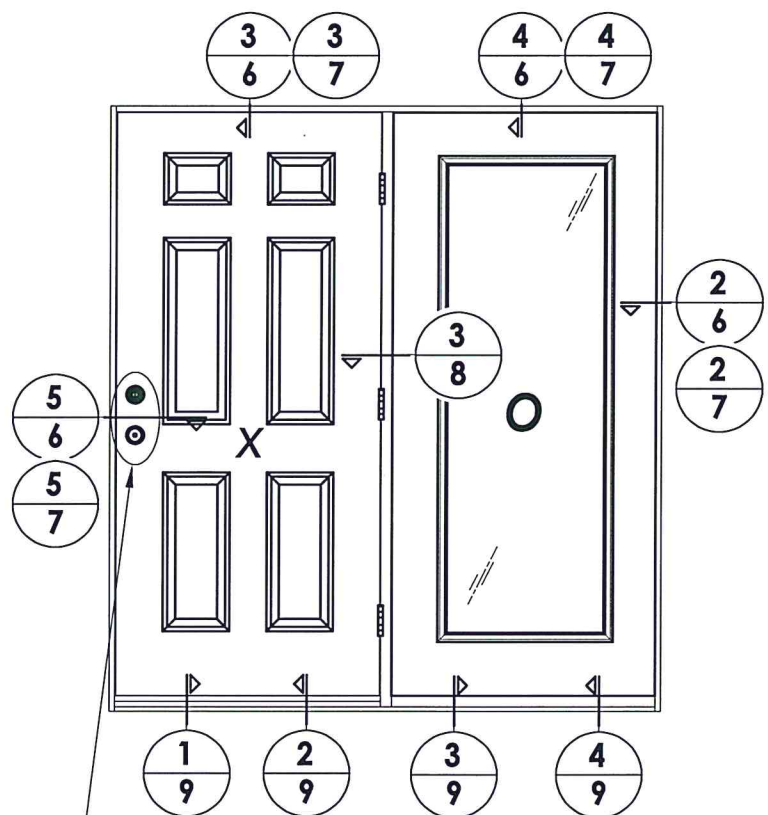
Documents Prepared By: Lyndon F. Schmidt, P.E.
TEXAS P.E. #104123

RW BUILDING CONSULTANTS, INC.
P.O. Box 230 Valrico FL 33595
Phone No.: 813.659.9197

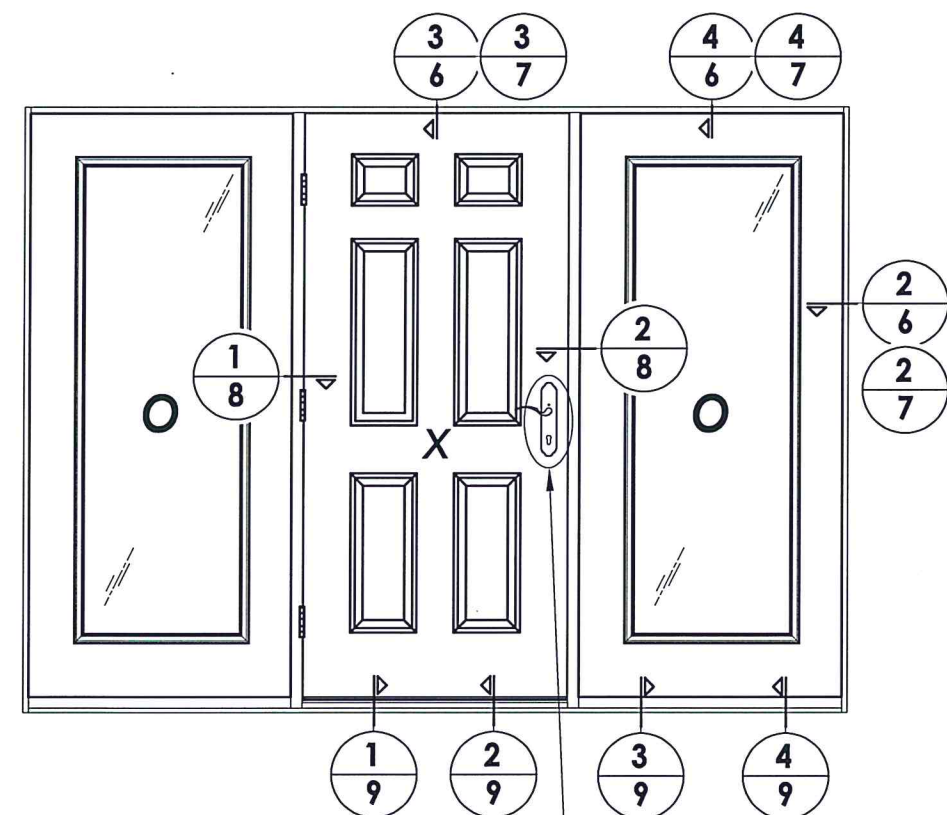
TEXAS BOARD OF PROFESSIONAL ENGINEERS
CERTIFICATE OF REGISTRATION # F-11852



SEE HARDWARE CHART

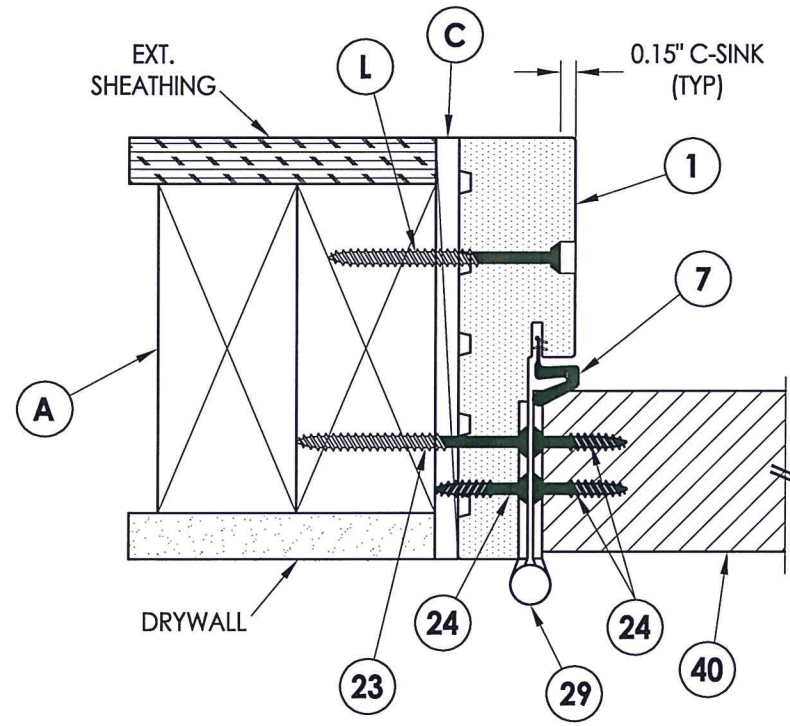


SEE HARDWARE CHART

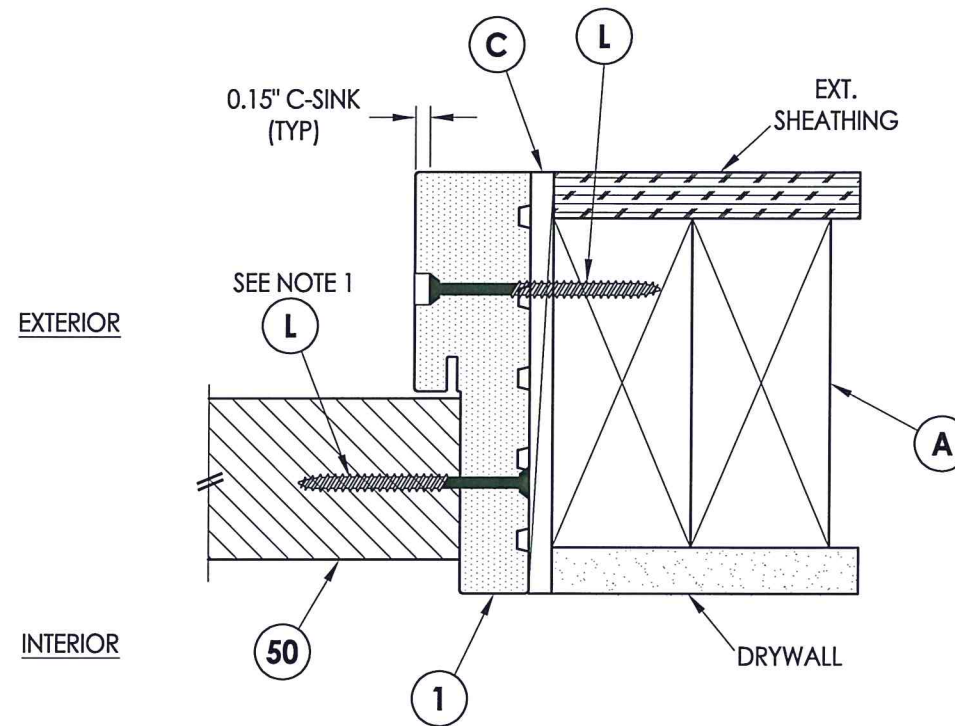


SEE HARDWARE CHART

PRODUCT: MASTERGRAIN FIBERGLASS DOOR	
PART OR ASSEMBLY: ELEVATIONS	
NO.	DATE
1	3/05/20
UPDATE TO 2018 IBC/IRC CODE	
LFS	BY
REVISIONS	
DATE: 8/30/18	
SCALE: N.T.S.	
DWG. BY: JK	
CHK. BY: LFS	
DRAWING NO.: TX-4883	
SHEET 5 OF 12	

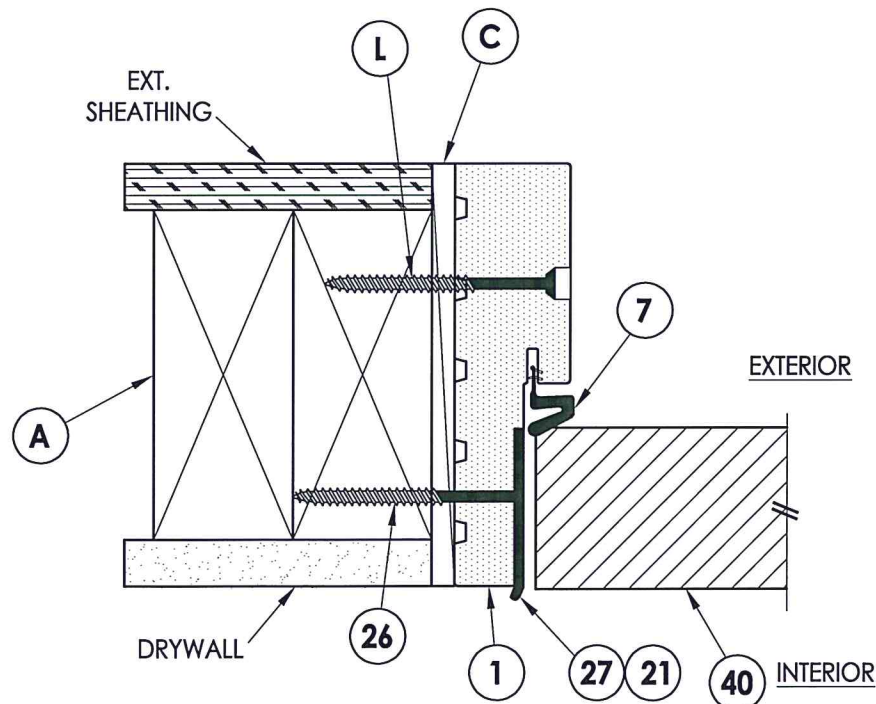
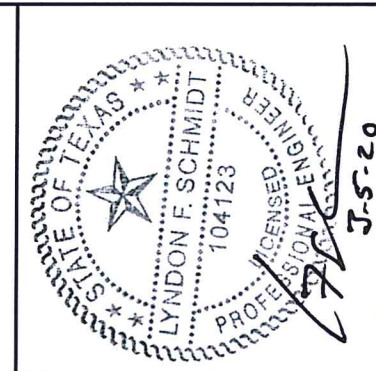


1 **HORIZONTAL CROSS SECTION**
6 Shown w/ 2X Buck
 Inswing shown (Outswing similar)

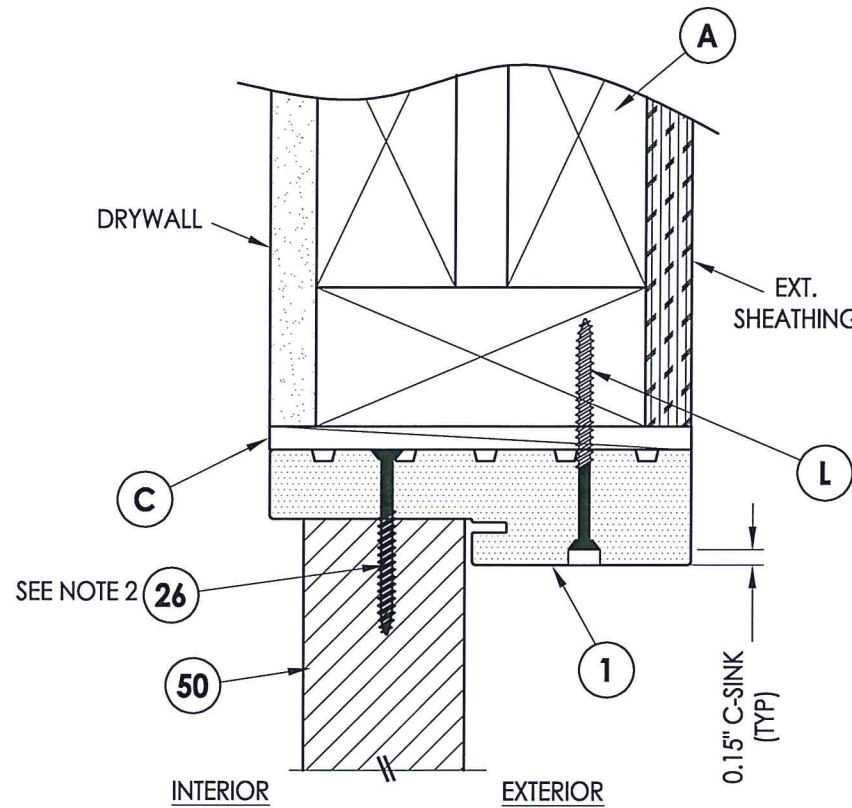


2 **HORIZONTAL CROSS SECTION**
6 Shown w/ 2X Buck
 Inswing shown (Outswing similar)

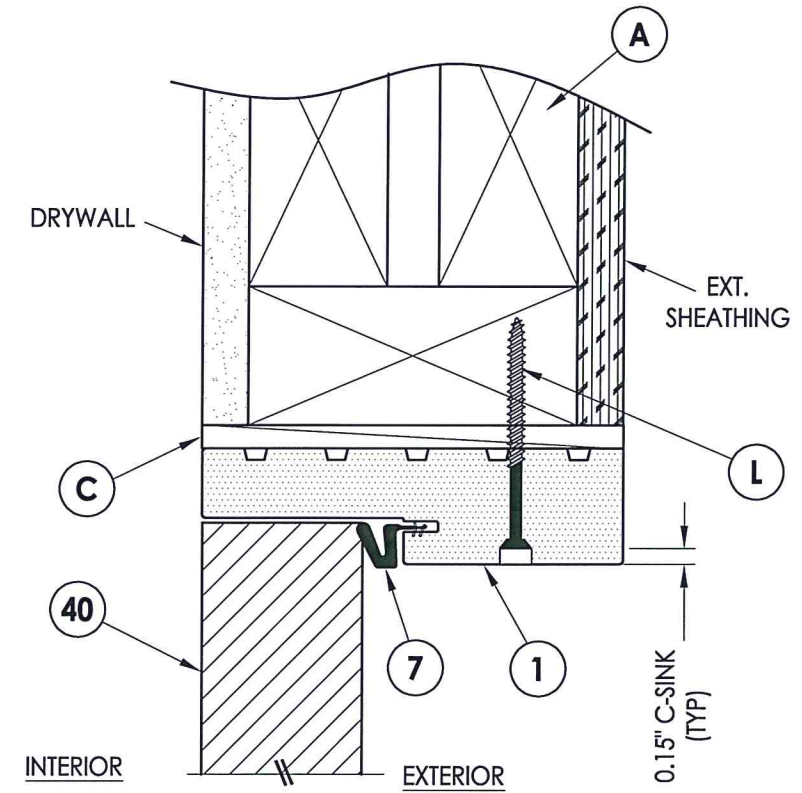
NOTE:
 1. Item #L located 4" from each end then 5 more equally spaced (7 total).
 2. Item #26 located 12" from each end (2 total).



5 **HORIZONTAL CROSS SECTION**
6 Shown w/ 2X Buck
 Inswing shown (Outswing similar)



4 **VERTICAL CROSS SECTION**
6 Shown w/ 2X Buck
 Inswing shown (Outswing similar)



3 **VERTICAL CROSS SECTION**
6 Shown w/ 2X Buck
 Inswing shown (Outswing similar)

Documents Prepared By: Lyndon F. Schmidt, P.E.
 TEXAS P.E. #104123

RW BUILDING CONSULTANTS, INC.
 P.O. Box 230 Vairico FL. 33595
 Phone No.: 813.659.9197

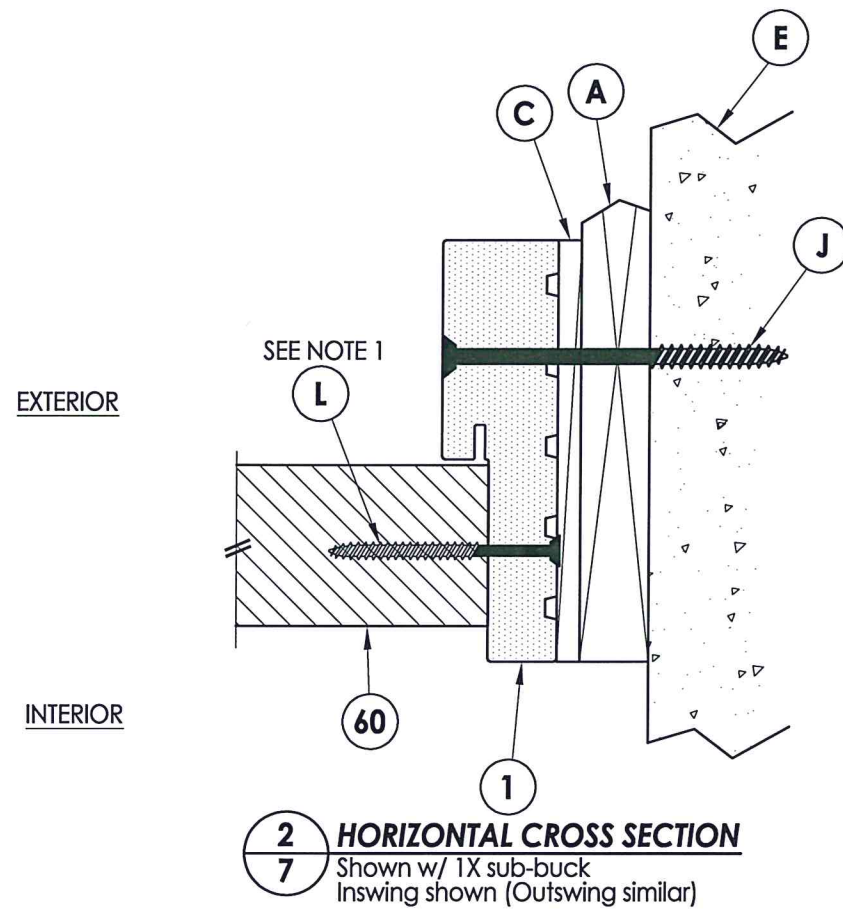
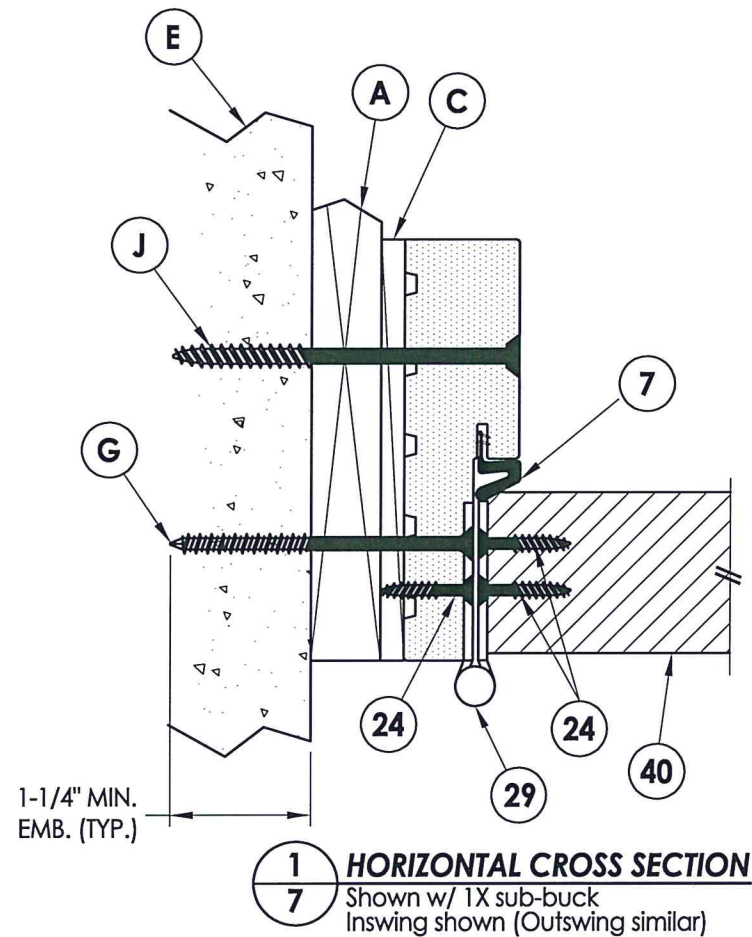
TEXAS BOARD OF PROFESSIONAL ENGINEERS
 CERTIFICATE OF REGISTRATION # F-11852

PRODUCT: MASTERGRAIN FIBERGLASS DOOR

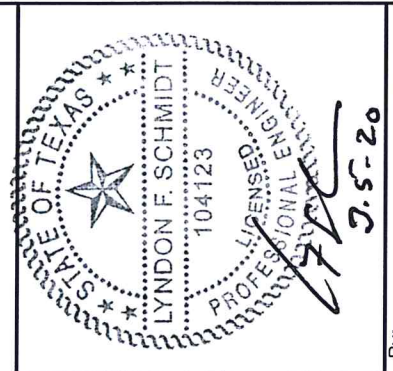
PART OR ASSEMBLY: HORIZONTAL & VERTICAL CROSS SECTIONS (2X BUCK)

NO.	DATE	DESCRIPTION	BY
1	3/05/20	UPDATE TO 2018 IBC/IRC CODE	LFS

DATE: 8/30/18
 SCALE: N.T.S.
 DWG. BY: JK
 CHK. BY: LFS
 DRAWING NO.: TX-4883
 SHEET 6 OF 12

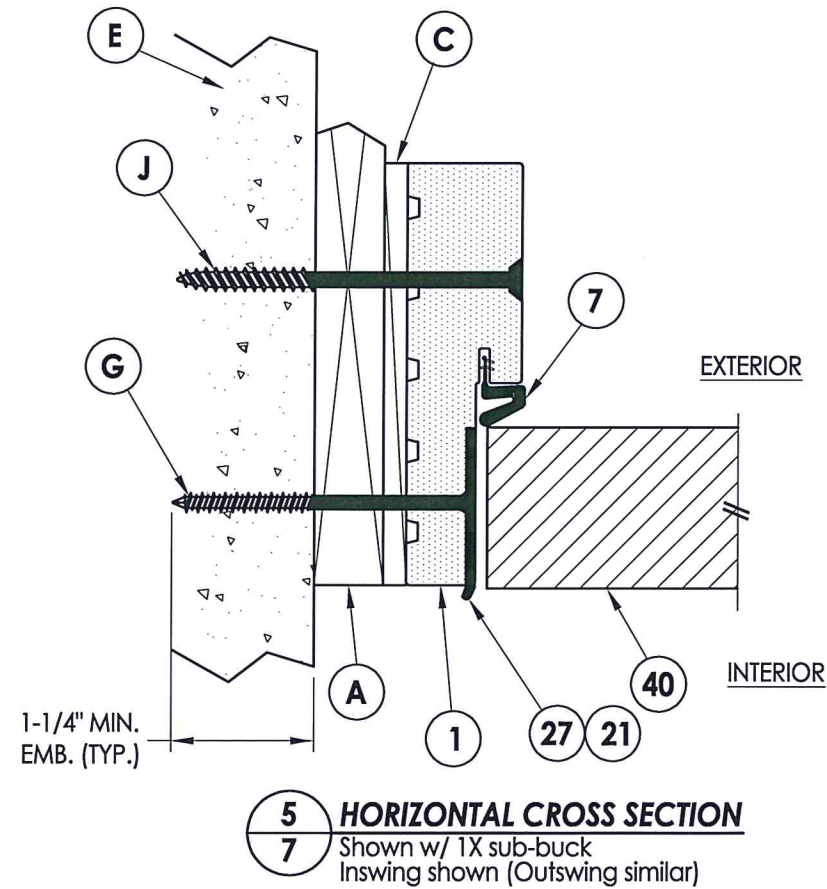
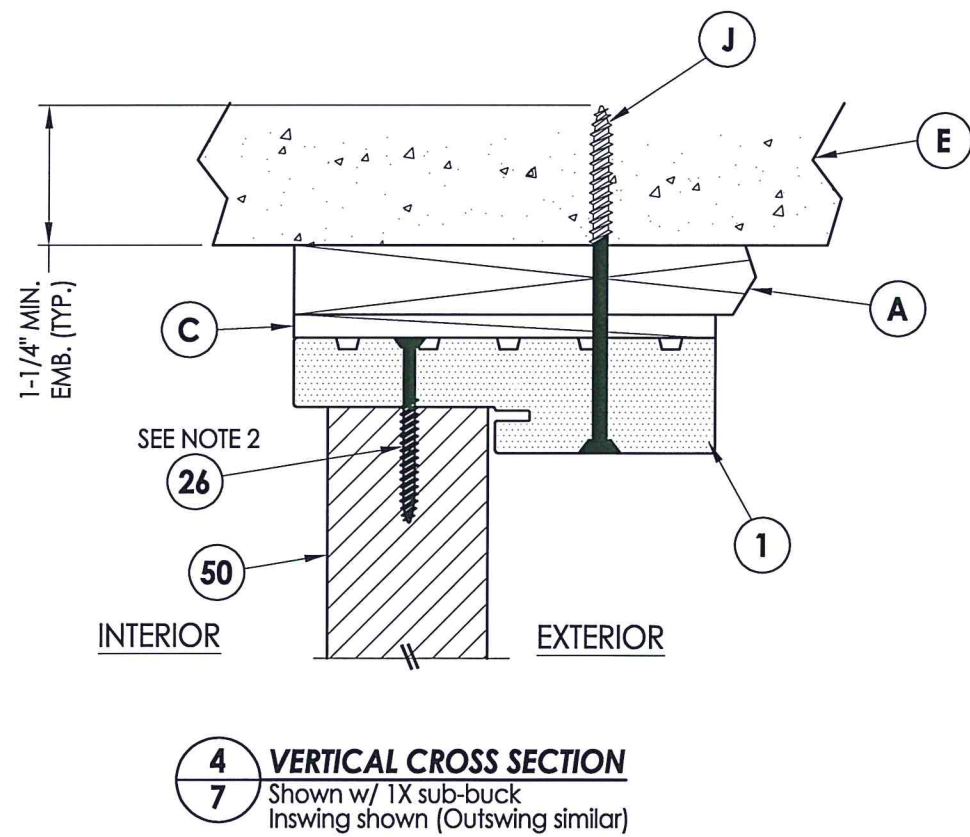
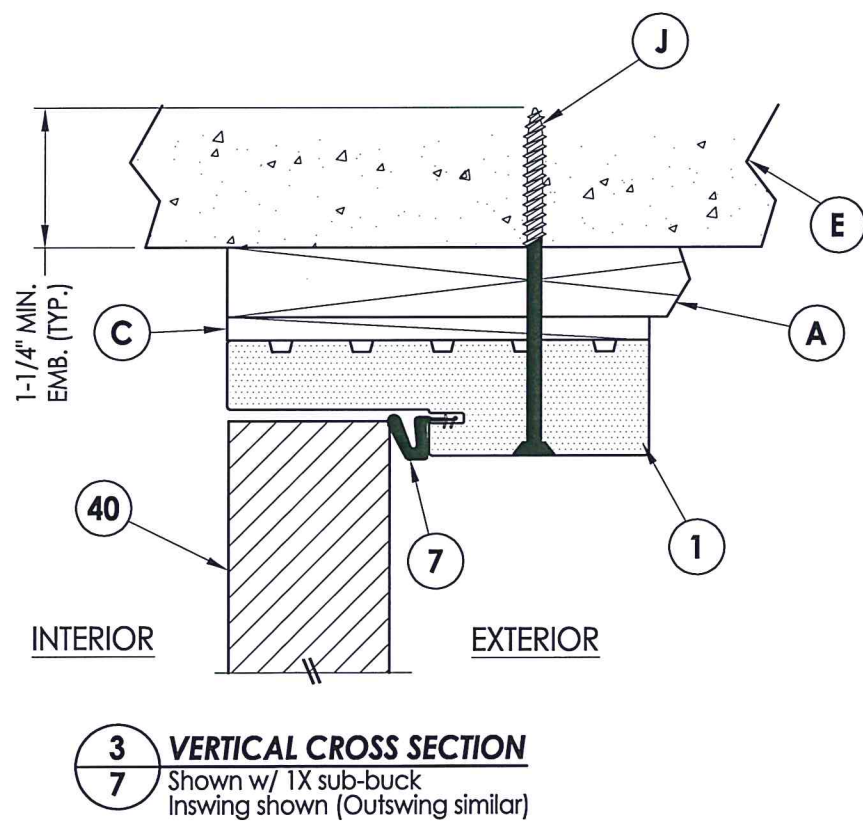


NOTE:
1. Item #L located 4" from each end then 5 more equally spaced (7 total).
2. Item #26 located 12" from each end (2 total).



Documents Prepared By: Lyndon F. Schmidt, P.E.
TEXAS P.E. #104123

RW BUILDING CONSULTANTS, INC.
P.O. Box 230 Valrico FL 33595
Phone No.: 813.659.9197
TEXAS BOARD OF PROFESSIONAL ENGINEERS
CERTIFICATE OF REGISTRATION # F-11852

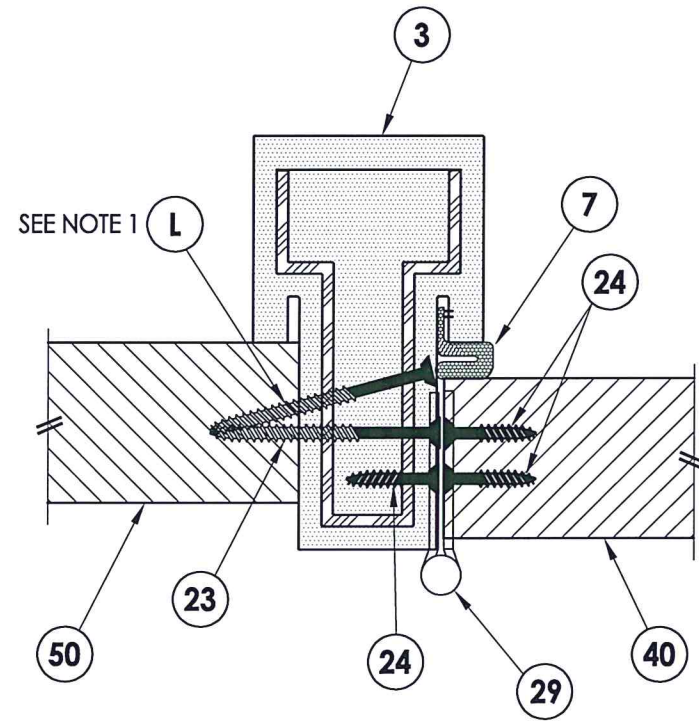


PRODUCT: MASTERGRAIN FIBERGLASS DOOR
PART OR ASSEMBLY: HORIZONTAL & VERTICAL CROSS SECTIONS (1X BUCK)

NO.	DATE	DESCRIPTION	BY
1	3/05/20	UPDATE TO 2018 IBC/IRC CODE	LFS

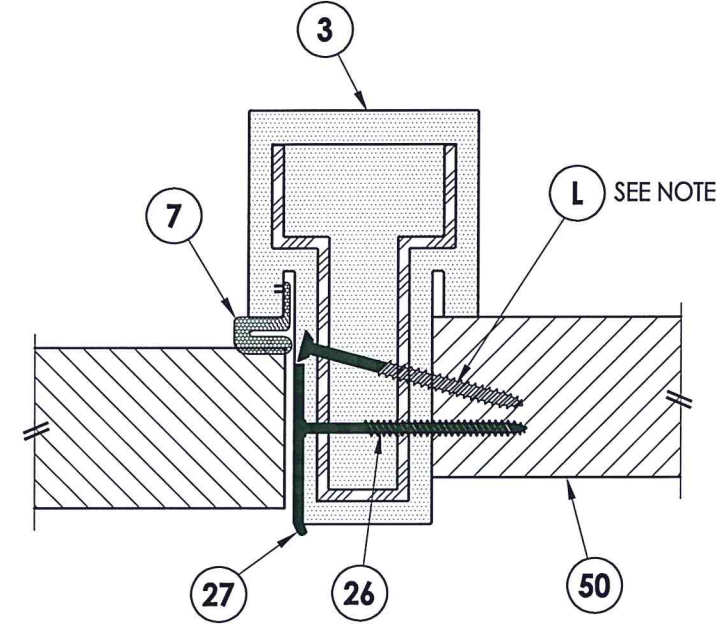
DATE: 8/30/18
SCALE: N.T.S.
DWG. BY: JK
CHK. BY: LFS
DRAWING NO.: TX-4883
SHEET 7 OF 12

NOTE:
 1. Item #L located 4" from each end then 5 more equally spaced (7 total).



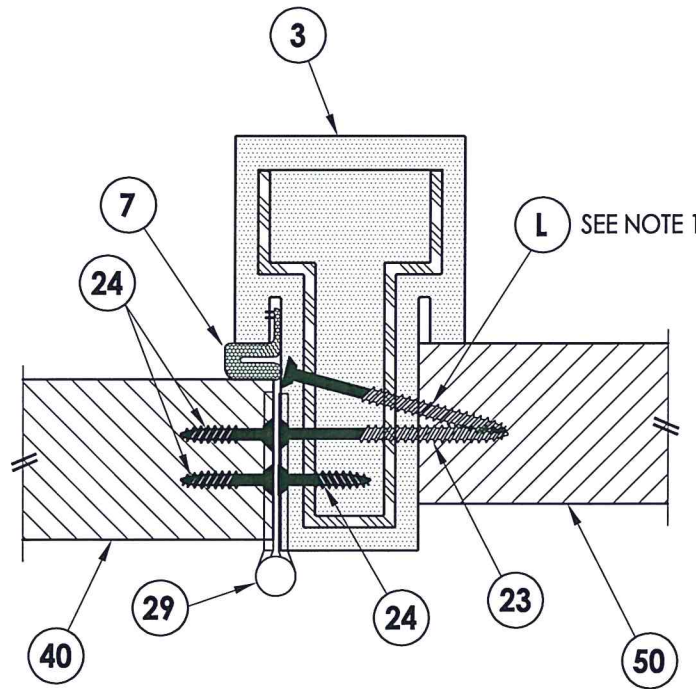
1 HORIZONTAL CROSS SECTION
8 Inswing shown (Outswing similar)

EXTERIOR



2 HORIZONTAL CROSS SECTION
8 Inswing shown (Outswing similar)

INTERIOR



3 HORIZONTAL CROSS SECTION
8 Inswing shown (Outswing similar)



Documents Prepared By: Lyndon F. Schmidt, P.E.
 TEXAS P.E. #104123

RW BUILDING CONSULTANTS, INC.
 P.O. Box 230 Valrico FL 33595
 Phone No.: 813.659.9197

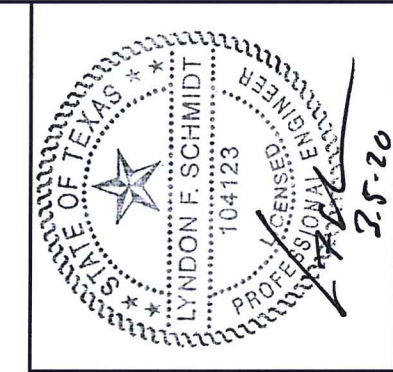
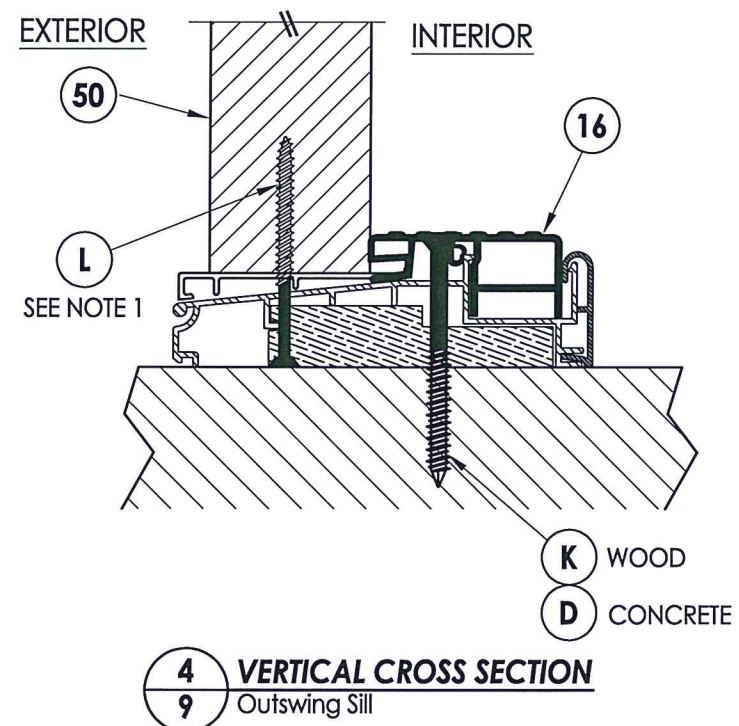
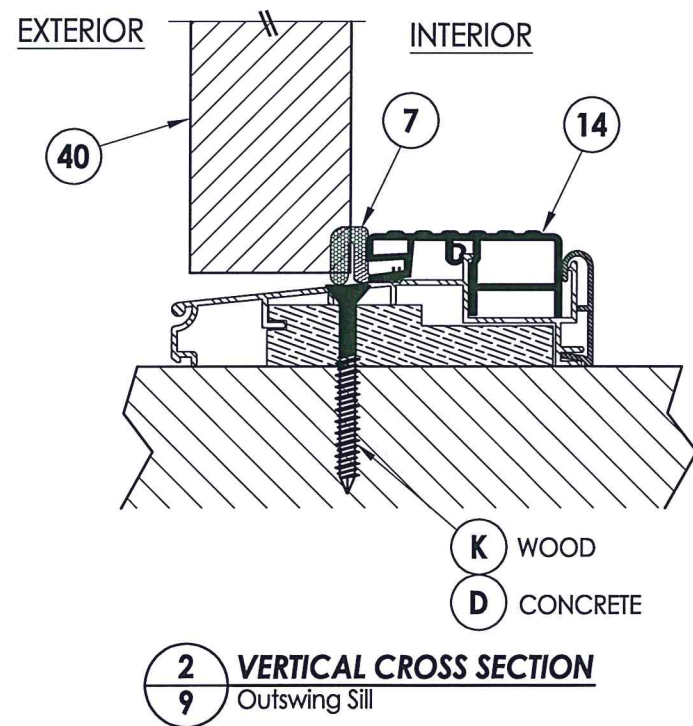
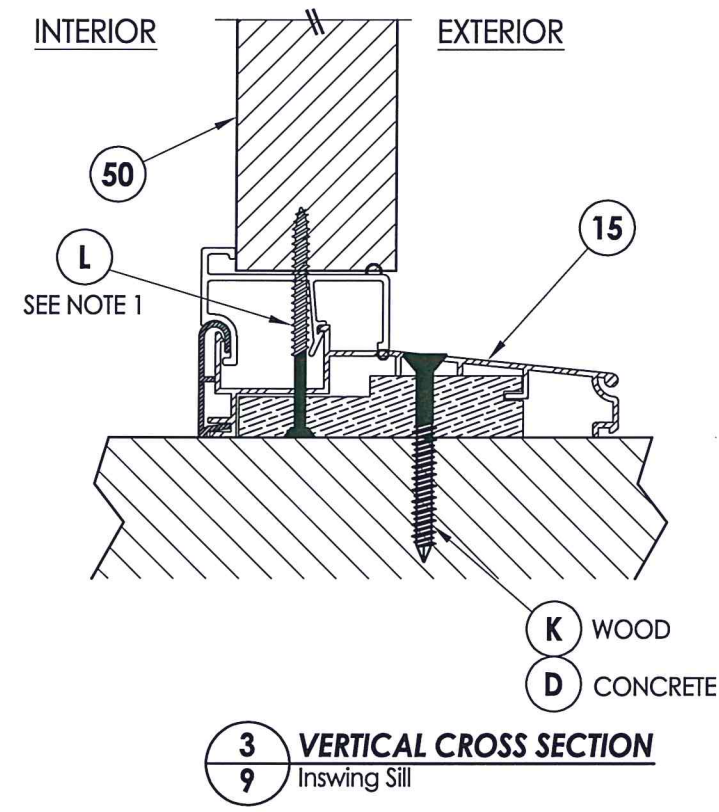
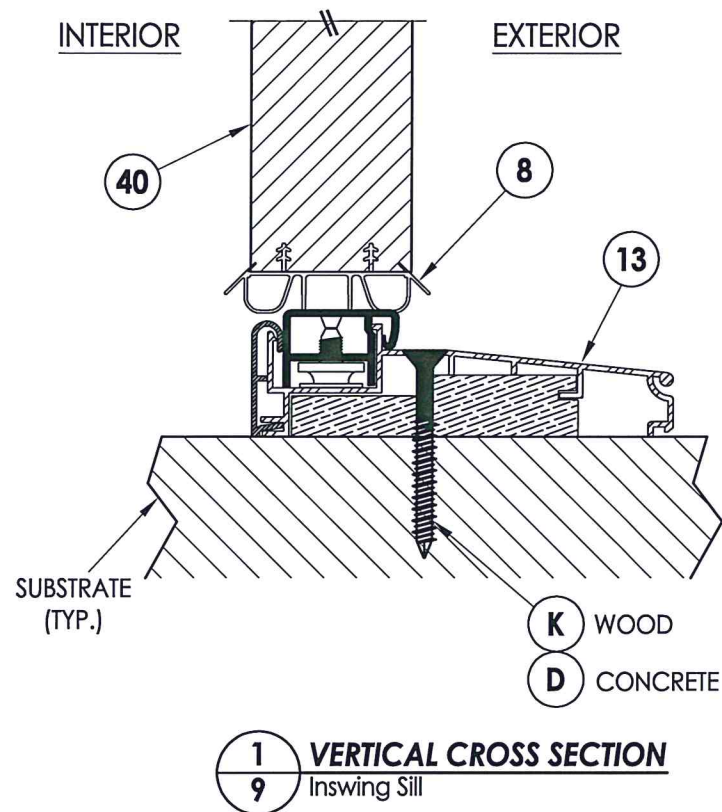
TEXAS BOARD OF PROFESSIONAL ENGINEERS
 CERTIFICATE OF REGISTRATION # F-11852

PRODUCT: MASTERGRAIN FIBERGLASS DOOR
 PART OR ASSEMBLY: HORIZONTAL CROSS SECTIONS

NO.	DATE	DESCRIPTION	LFS	BY
1	3/05/20	UPDATE TO 2018 IBC/IRC CODE	LFS	BY

DATE: 8/30/18
 SCALE: N.T.S.
 DWG. BY: JK
 CHK. BY: LFS
 DRAWING NO.: TX-4883
 SHEET 8 OF 12

NOTE:
1. Item #L located 12" from each end (2 total).



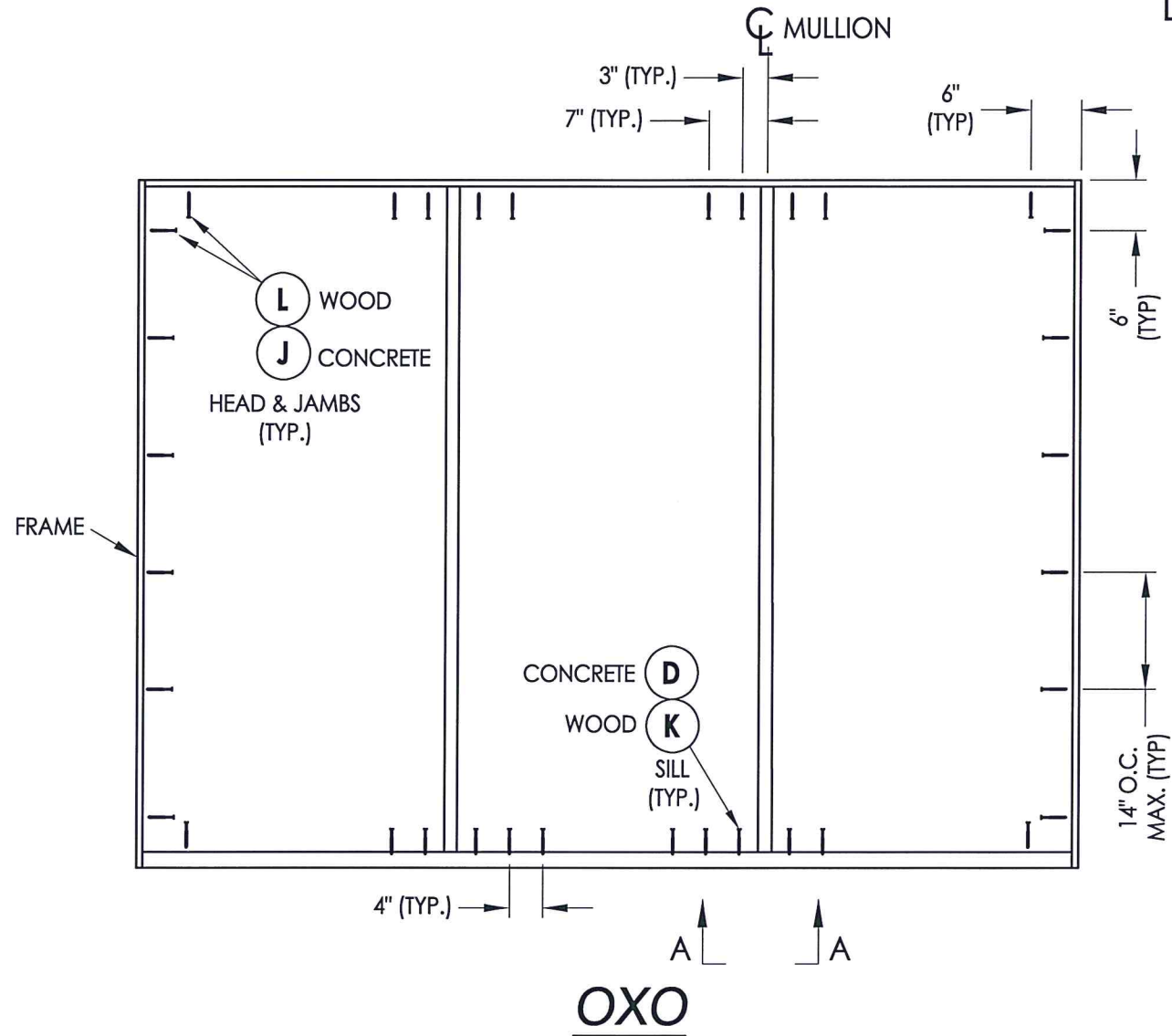
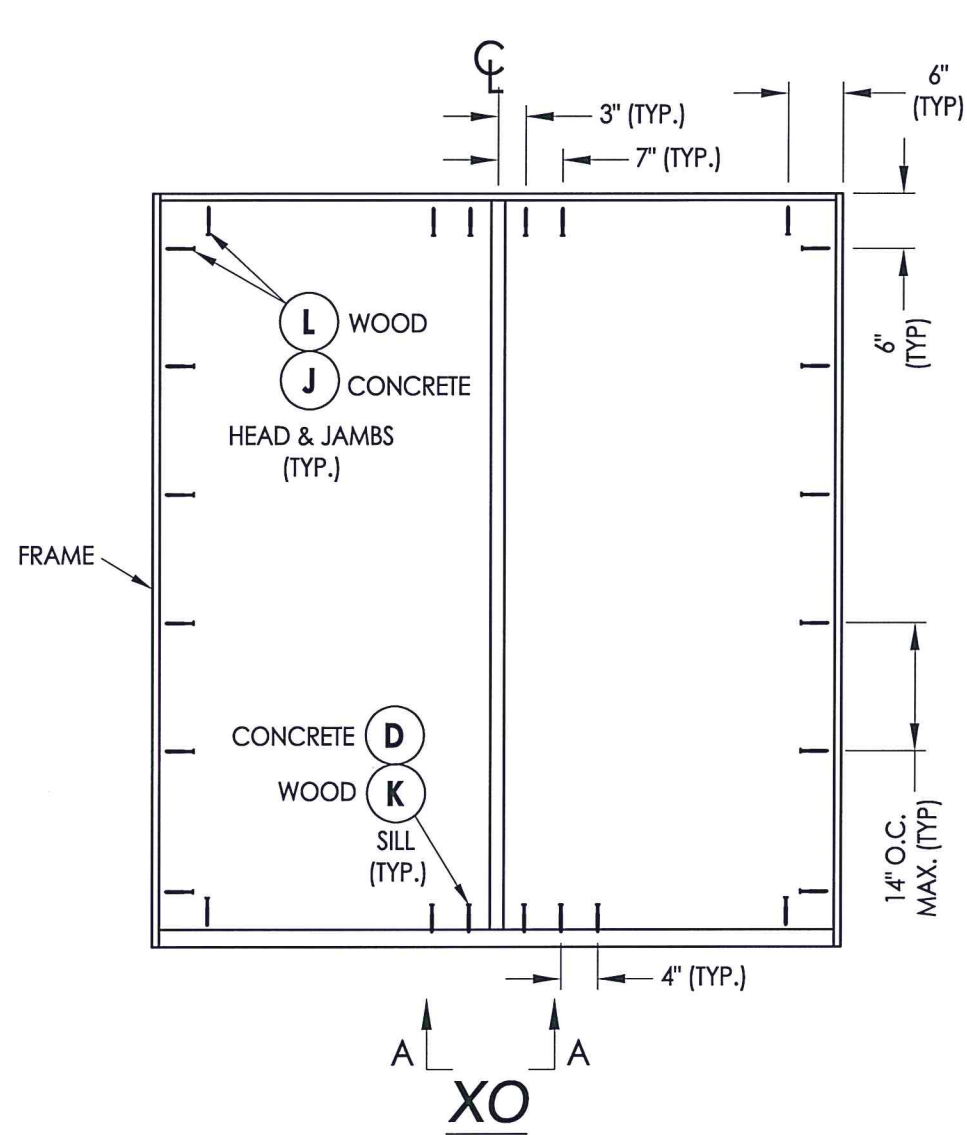
Documents Prepared By: Lyndon F. Schmidt, P.E.
TEXAS P.E. #104123

RW BUILDING CONSULTANTS, INC.
P.O. Box 230 Vairico FL. 33595
Phone No.: 813.659.9197
TEXAS BOARD OF PROFESSIONAL ENGINEERS
CERTIFICATE OF REGISTRATION # F-11852

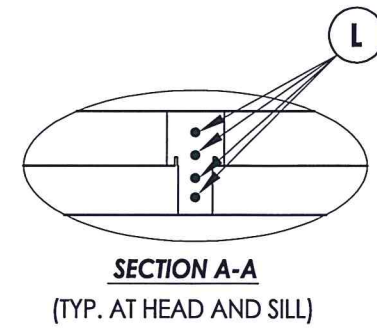
PRODUCT: MASTERGRAIN FIBERGLASS DOOR
PART OR ASSEMBLY: VERTICAL CROSS SECTIONS (THRESHOLDS)

NO.	DATE	DESCRIPTION	LFS	BY
1	3/05/20	UPDATE TO 2018 IBC/IRC CODE	LFS	BY

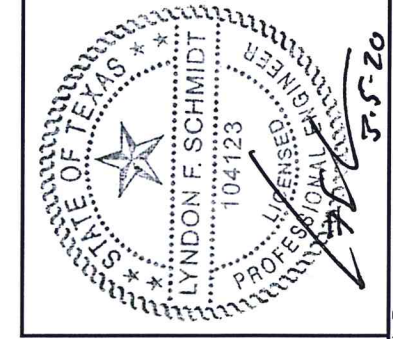
DATE: 8/30/18
SCALE: N.T.S.
DWG. BY: JK
CHK. BY: LFS
DRAWING NO.: TX-4883
SHEET 9 of 12



FRAME ANCHORING



NOTE:
 1. ALL FRAME CORNERS SECURED WITH (3) #8 X 2-1/2" FH DEEP THREAD WOOD SCREWS @ HEAD & SILL.

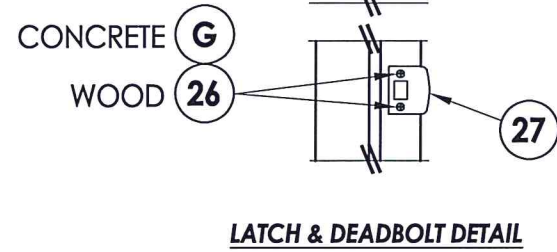


Documents Prepared By: Lyndon F. Schmidt, P.E.
 TEXAS P.E. #104123

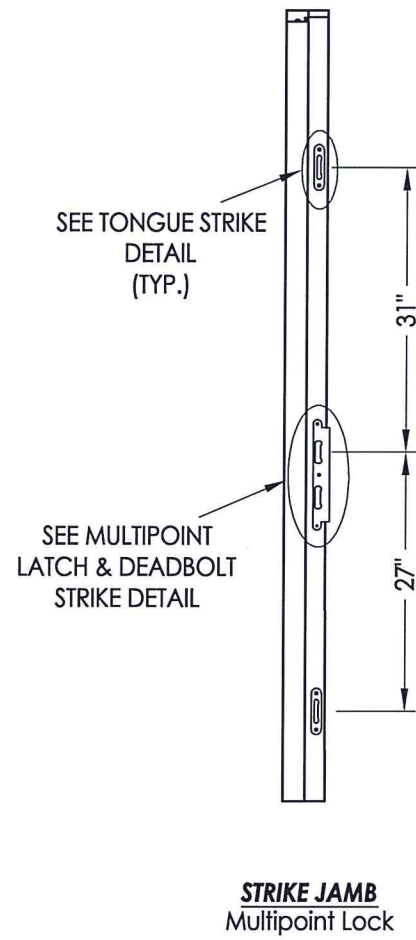
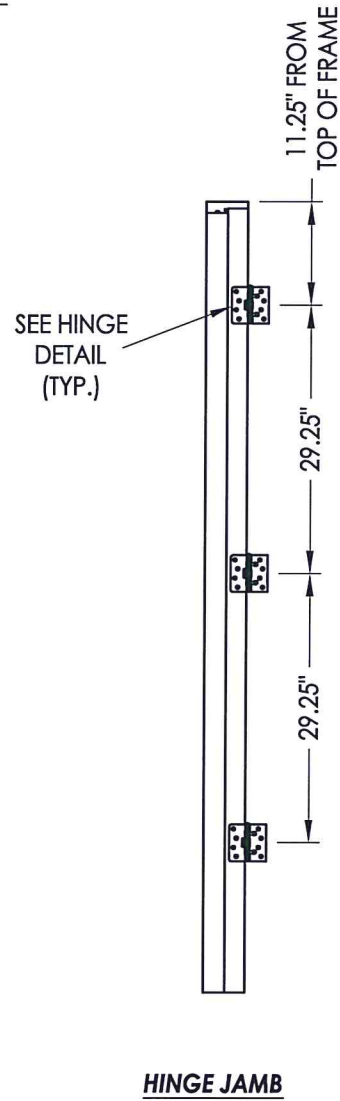
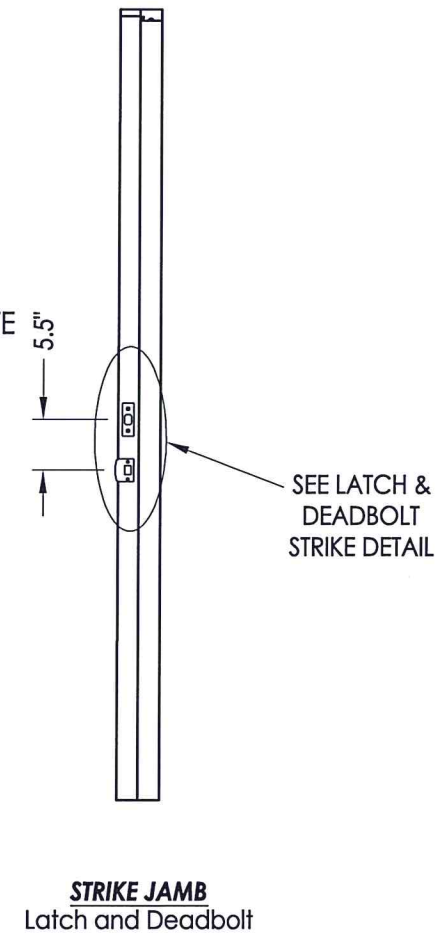
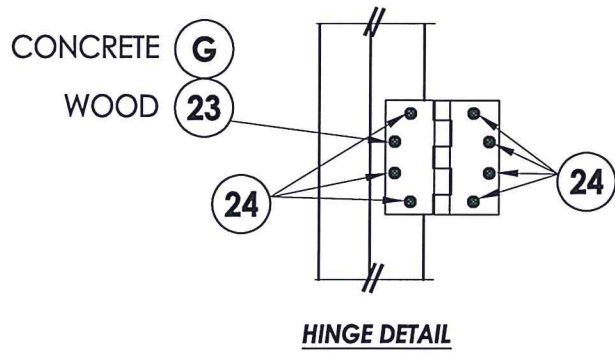
RW BUILDING CONSULTANTS, INC.
 P.O. Box 230 Valrico FL, 33595
 Phone No.: 813.659.9197

TEXAS BOARD OF PROFESSIONAL ENGINEERS
 CERTIFICATE OF REGISTRATION # F-11852

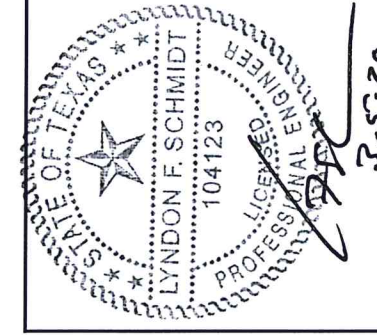
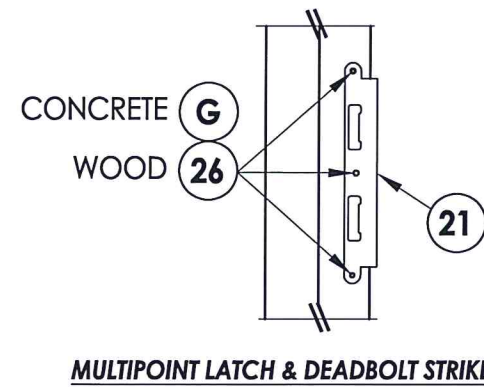
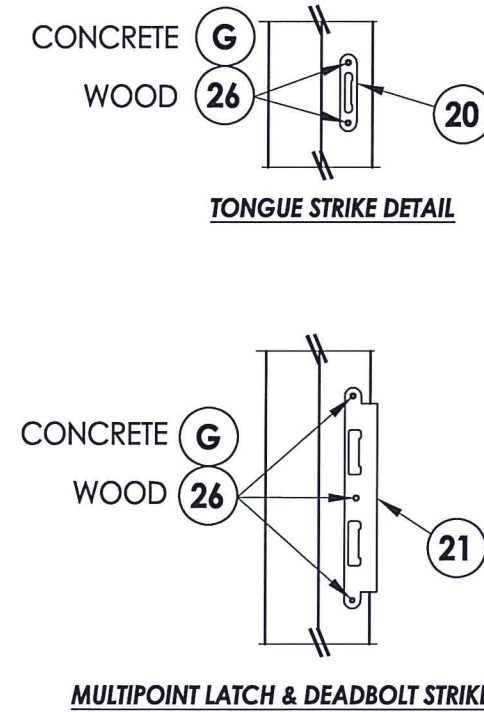
PRODUCT:		MASTERGRAIN FIBERGLASS DOOR	
PART OR ASSEMBLY:		FRAME ANCHORING	
NO.	DATE	DESCRIPTION	BY
1	3/05/20	UPDATE TO 2018 IBC/IRC CODE	LFS
			REVISIONS
DATE:		8/30/18	
SCALE:		N.T.S.	
DWG. BY:		JK	
CHK. BY:		LFS	
DRAWING NO.:		TX-4883	
SHEET		10 OF 12	



LATCH & DEADBOLT HARDWARE DETAILS



MULTIPOINT LOCK HARDWARE DETAILS



Documents Prepared By: Lyndon F. Schmidt, P.E.
TEXAS P.E. #104123

R.W. BUILDING CONSULTANTS, INC.
P.O. Box 230 Vairico FL 33595
Phone No.: 813.659.9197
TEXAS BOARD OF PROFESSIONAL ENGINEERS
CERTIFICATE OF REGISTRATION # F-11852

PRODUCT: MASTERGRAIN FIBERGLASS DOOR

PART OR ASSEMBLY: HARDWARE DETAILS

NO.	DATE	DESCRIPTION	BY
1	3/05/20	UPDATE TO 2018 IBC/IRC CODE	LFS

DATE: 8/30/18
SCALE: N.T.S.
DWG. BY: JK
CHK. BY: LFS
DRAWING NO.: TX-4883
SHEET 11 OF 12

BILL OF MATERIALS

ITEM #	DESCRIPTION	MATERIAL
A	2X FRAMING (SG >= 0.42)	WOOD
B	1X BUCK (SG >= 0.42)	WOOD
C	1/4" MAX. SHIM SPACE	-
D	1/4" Ø PFH ELCO OR ITW CONCRETE SCREW (1-3/4" MIN. EMBEDMENT)	STEEL
E	MASONRY - 3,000 PSI MIN. CONCRETE CONFORMING TO ACI 301 OR HOLLOW BLOCK CONFORMING TO ASTM C90	CONCRETE
G	3/16" X 3-1/4" PFH ITW CONCRETE SCREW	STEEL
J	1/4" X 3-3/4" PFH ELCO OR ITW CONCRETE SCREW	STEEL
K	#10 PFH WS (1-3/4" MIN. EMBEDMENT)	STEEL
L	#10 X 2-1/2" PFH WOOD SCREW (1.15" MIN. EMBEDMENT)	STEEL
1	COMPOSITE JAMB	COMP
3	MULLION	ALUM/COMP
7	WEATHERSTRIP	FOAM
8	SWEEP	VINYL
13	INSWING ADJUSTABLE THRESHOLD	ALUM/COMP
14	OUTSWING BUMP THRESHOLD	ALUM/COMP
15	INSWING THRESHOLD (w/ SIDELITE ADAPTER)	ALUM/COMP
16	OUTSWING THRESHOLD (w/ SIDELITE ADAPTER)	ALUM/COMP
20	MULTIPOINT TONGUE STRIKE PLATE	STEEL
21	MULTIPOINT LATCH & DEADBOLT STRIKE PLATE	STEEL
23	#12 X 2-1/2" PFH WOOD SCREW	STEEL
24	#12 x 1" PFH WOOD SCREW	STEEL
26	#10 X 2" PFH WOOD SCREW	STEEL
27	LATCH STRIKE PLATE	STEEL
28	DEADBOLT STRIKE PLATE	STEEL
29	4.5" X 4.5" HINGE	STEEL
40	DOOR PANEL	-
50	SIDELITE PANEL	-

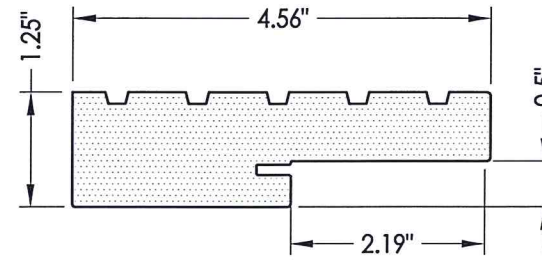
CONCRETE ANCHOR NOTES:

- Concrete anchor locations at the corners may be adjusted to maintain the min. edge distance to mortar joints.
- Concrete anchor locations noted as "MAX. ON CENTER" must be adjusted to maintain the min. edge distance to mortar joints, additional concrete anchors may be required to ensure the "MAX. ON CENTER" dimension are not exceeded.
- Concrete anchor table:

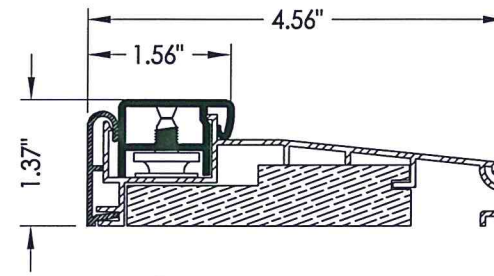
ANCHOR TYPE	ANCHOR SIZE	MIN. EMBEDMENT	MIN. CLEARANCE TO MASONRY EDGE	MIN. CLEARANCE TO ADJACENT ANCHOR
ITW TAPCON®	1/4"	1-1/4"	2"	4"
ELCO ULTRACON®	1/4"	1-1/4"	1"	4"
ITW TAPCON®	3/16"	1-1/4"	3"	1-1/2"

WOOD SCREW INSTALLATION NOTES:

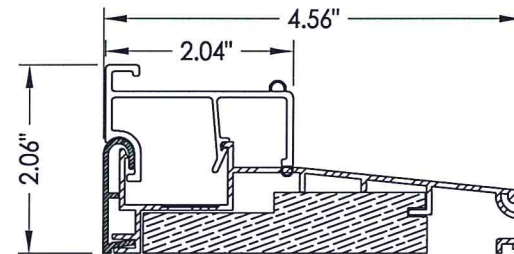
- Maintain a minimum 5/8" edge distance, 1" end distance, & 1" o.c. spacing of wood screws to prevent the splitting of wood.



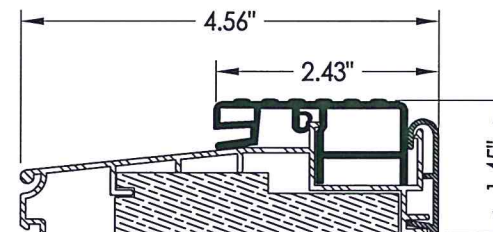
1 COMPOSITE JAMB
WORLDWIDE



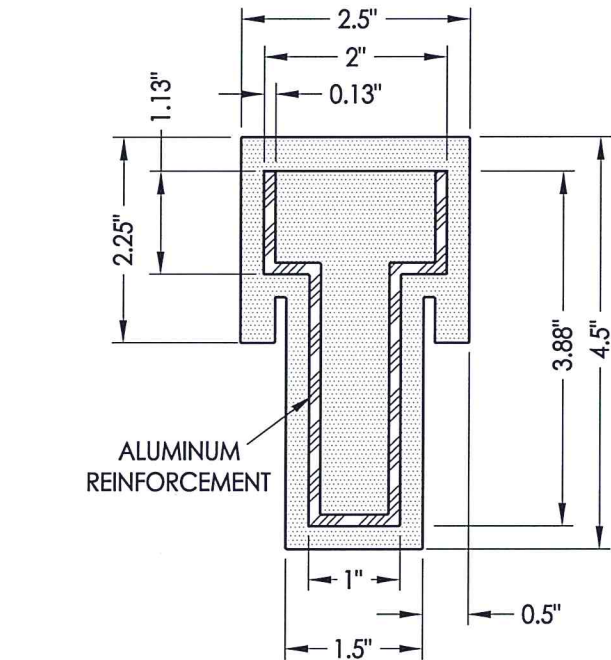
13 INSWING THRESHOLD
WORLDWIDE



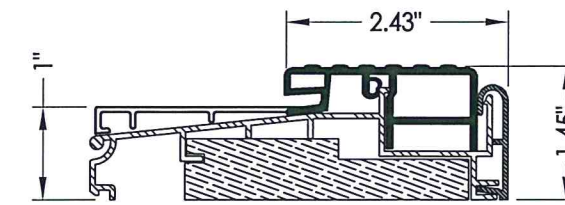
15 INSWING THRESHOLD w/ SIDELITE ADAPTER
WORLDWIDE



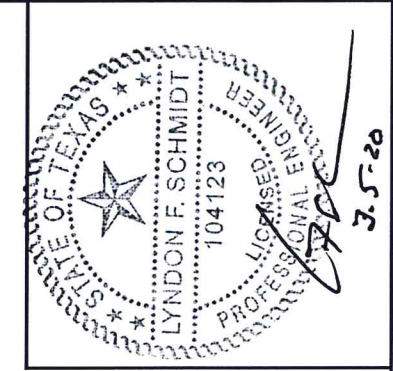
14 OUTSWING THRESHOLD
WORLDWIDE



3 COMPOSITE MULLION
WORLDWIDE



16 OUTSWING THRESHOLD w/ SIDELITE ADAPTER
WORLDWIDE



Documents Prepared By: Lyndon F. Schmidt, P.E.
TEXAS P.E. #104123

RW BUILDING CONSULTANTS, INC.
P.O. Box 230 Valrico FL 33595
Phone No.: 813.659.9197
TEXAS BOARD OF PROFESSIONAL ENGINEERS
CERTIFICATE OF REGISTRATION # F-11852

PRODUCT: MASTERGRAIN FIBERGLASS DOOR

PART OR ASSEMBLY: BILL OF MATERIALS & COMPONENTS

NO.	DATE	DESCRIPTION	LFS	BY
1	3/05/20	UPDATE TO 2018 IBC/IRC CODE		

DATE: 8/30/18
SCALE: N.T.S.
DWG. BY: JK
CHK. BY: LFS
DRAWING NO.: TX-4883
SHEET 12 OF 12