



A SENNECA COMPANY

HURRICANE SERIES FIBERGLASS SINGLE DOOR OUTSWING "IMPACT"

DR-981

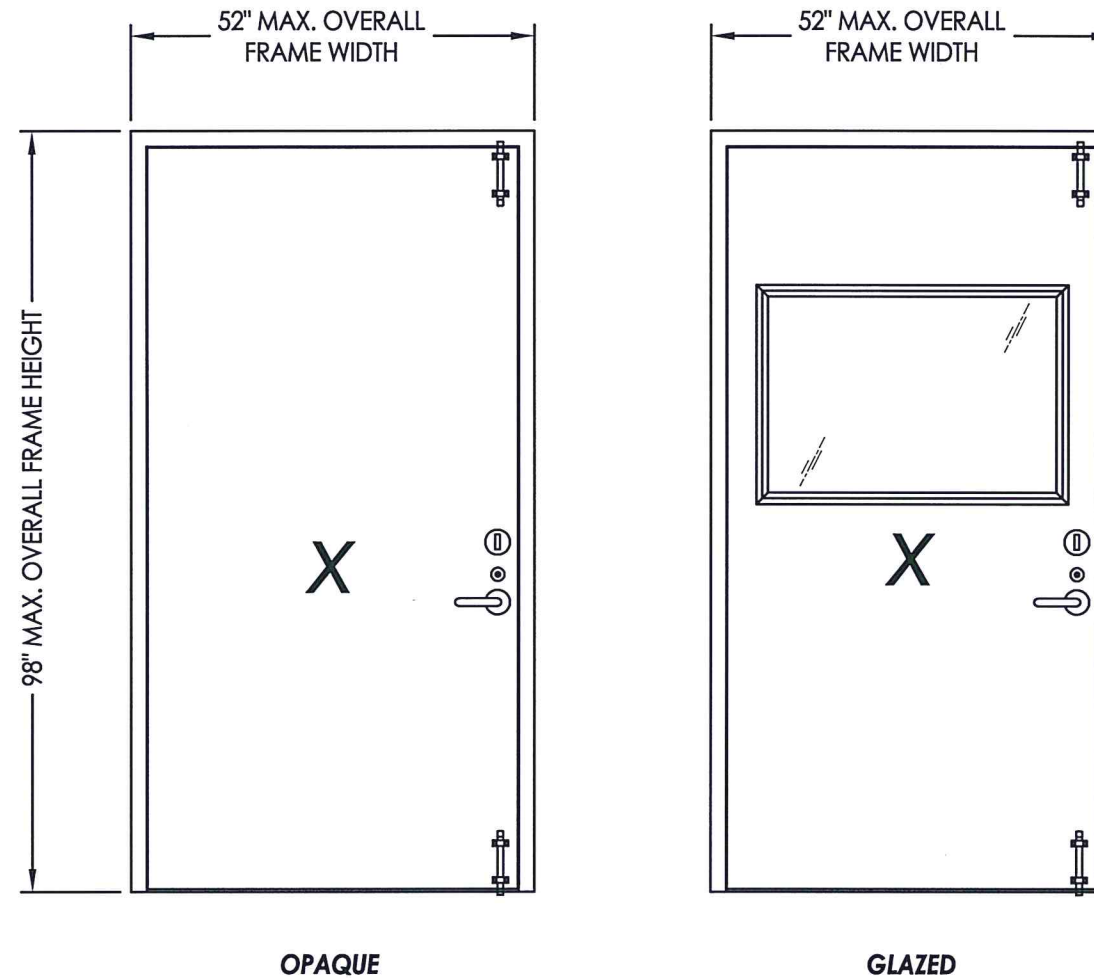
EVALUATED FOR USE IN THE STATE OF TEXAS

The Fiberglass Door system described herein complies with the 2018 International Residential Code (IRC), Sections R301 & R609 and the 2018 International Building Code (IBC), Sections 1404.13, 1609, 1709.5, 2403 and 2404 subject to the following conditions:

1. Anchors shall be as listed and spaced as shown in the details. Anchor embedment to base material shall be beyond wall dressing or stucco.
2. This system has been tested and evaluated as a large missile impact protective system for installation in areas that require wind borne debris protection. This product meets missile level "D" as defined in ASTM E 1996.
3. Allowable design pressure requirements must be equal to or less than the design pressure rating shown in the design pressure chart, sheet 1 of this drawing.
4. Conditions not covered by this drawing are subject to further engineering analysis.

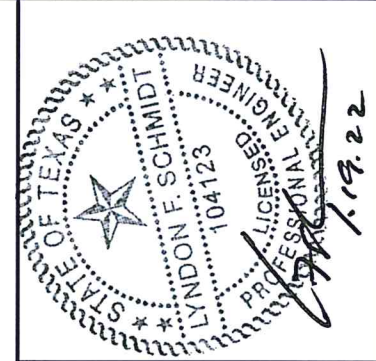
TABLE OF CONTENTS

SHEET #	DESCRIPTION
1	Typical elevations, design pressures & general notes
2	Door panel details
3	Horizontal cross sections
4	Vertical cross sections
5	Frame anchoring & hardware details
6	Bill of materials & components



MAX FRAME DIMENSION	DOOR TYPE	DESIGN PRESSURE (PSF) OUTSWING	
		POSITIVE	NEGATIVE
52" x 98"	OPAQUE	+90.0	-90.0
52" x 98"	GLAZED	+90.0	-90.0

SURFACE BOLTS REQUIRED @ TOP & BOTTOM OF DOOR



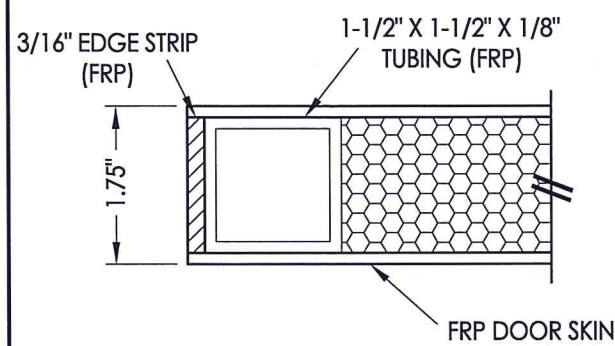
Documents Prepared By: Lyndon F. Schmidt, P.E.
TEXAS P.E. #104123
RW BUILDING CONSULTANTS, INC.
P.O. Box 230 Valrico FL 33595
Phone No.: 813.659.9197
CERTIFICATE OF REGISTRATION # F-11852

PRODUCT: FIBERGLASS DOOR
PART OR ASSEMBLY: TYPICAL ELEVATION, DESIGN PRESSURES & GENERAL NOTES

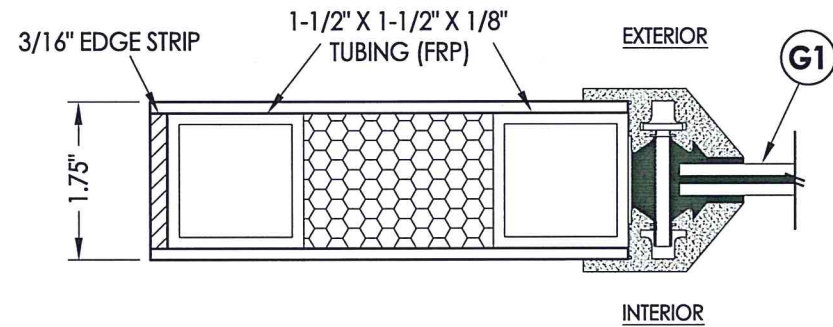
NO.	DATE	BY	REVISIONS
1	1/19/22	LFS	UPDATE TO 2018 IBC/IRC

DATE: 5/14/18
SCALE: N.T.S.
DWG. BY: JK
CHK. BY: LFS
DRAWING NO.: TX-4847
SHEET 1 OF 6

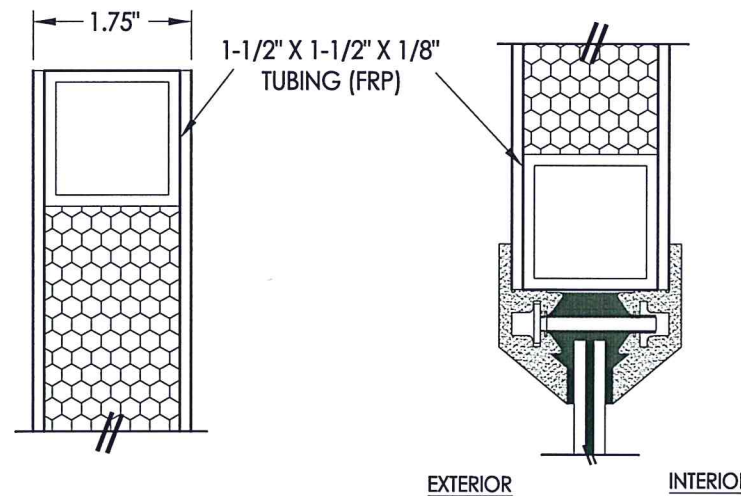
Z:\Clients\Seneca\B - Texas Dept of Ins\Tiger Door\DR 981 Tiger Fiberglass Door - Impact\Drawings\TX-4847.48 REV.dwg



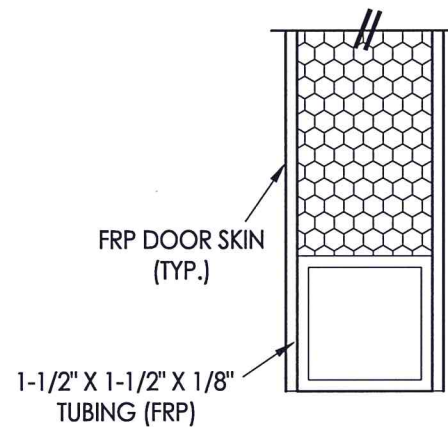
1
2 HORIZONTAL CROSS SECTION



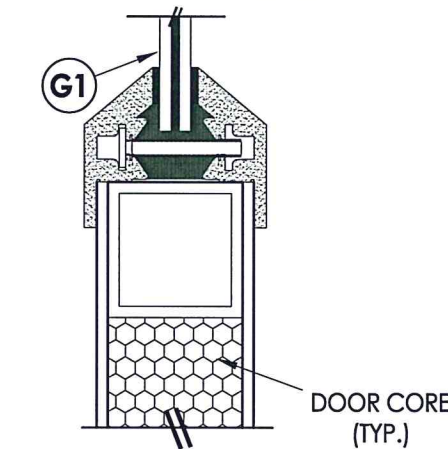
2
2 HORIZONTAL CROSS SECTION



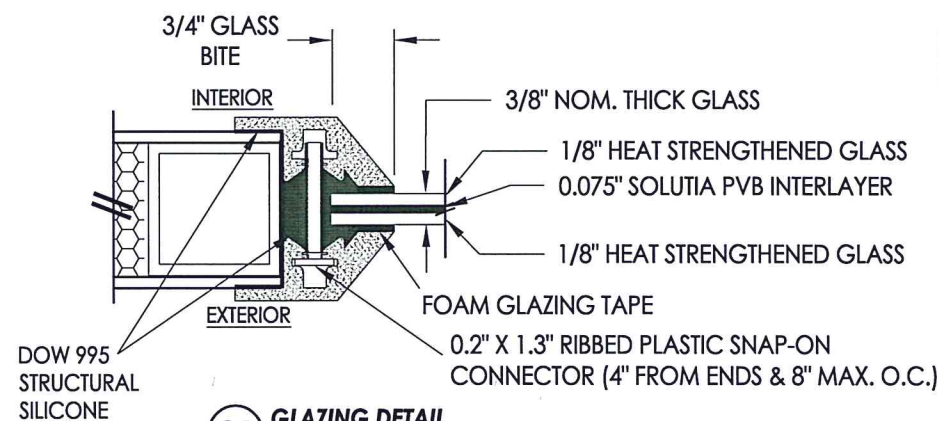
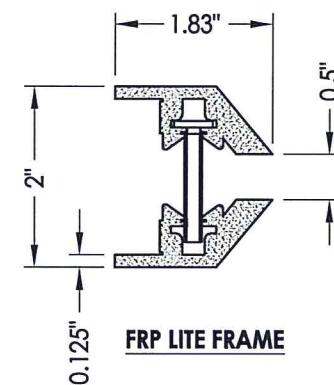
3
2 VERTICAL CROSS SECTION



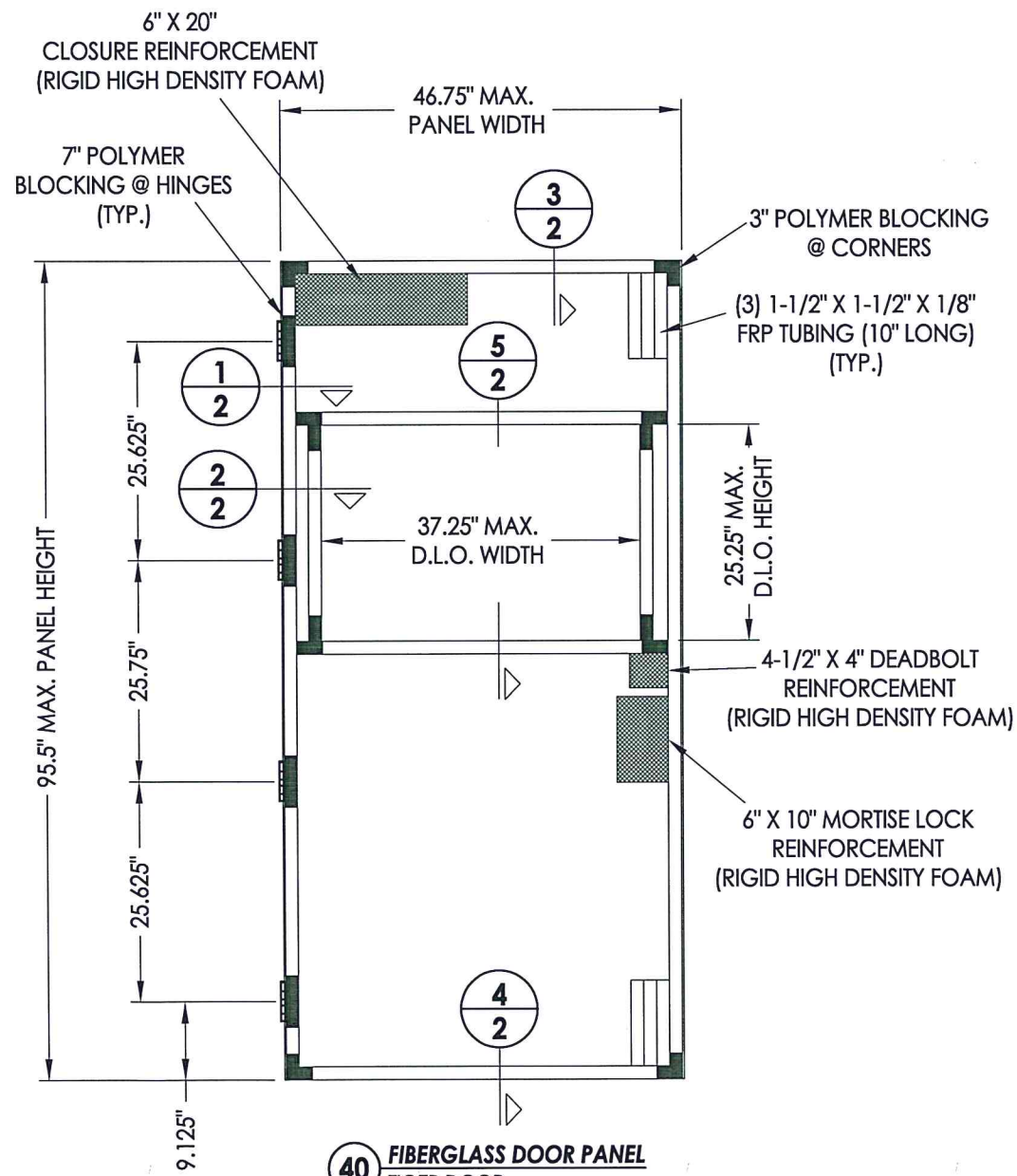
4
2 VERTICAL CROSS SECTION



5
2 VERTICAL CROSS SECTION

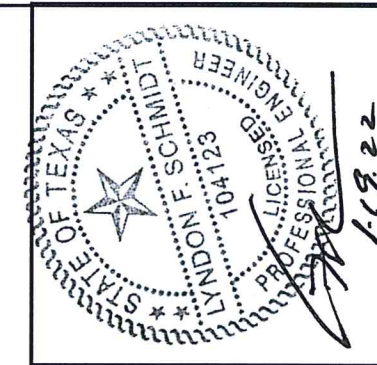


G1 GLAZING DETAIL



40 FIBERGLASS DOOR PANEL
TIGER DOOR

DOOR SKIN: 0.125" MIN. THICKNESS
DOOR CORE: POLYPROPYLENE HONEYCOMB



Documents Prepared By: Lyndon F. Schmidt, P.E.
TEXAS P.E. #104123
RW BUILDING CONSULTANTS, INC.
P.O. Box 230 Valrico FL, 33595
Phone No.: 813.659.9197
CERTIFICATE OF REGISTRATION # F-11852

PRODUCT:	FIBERGLASS DOOR
PART OR ASSEMBLY:	DOOR PANEL DETAILS

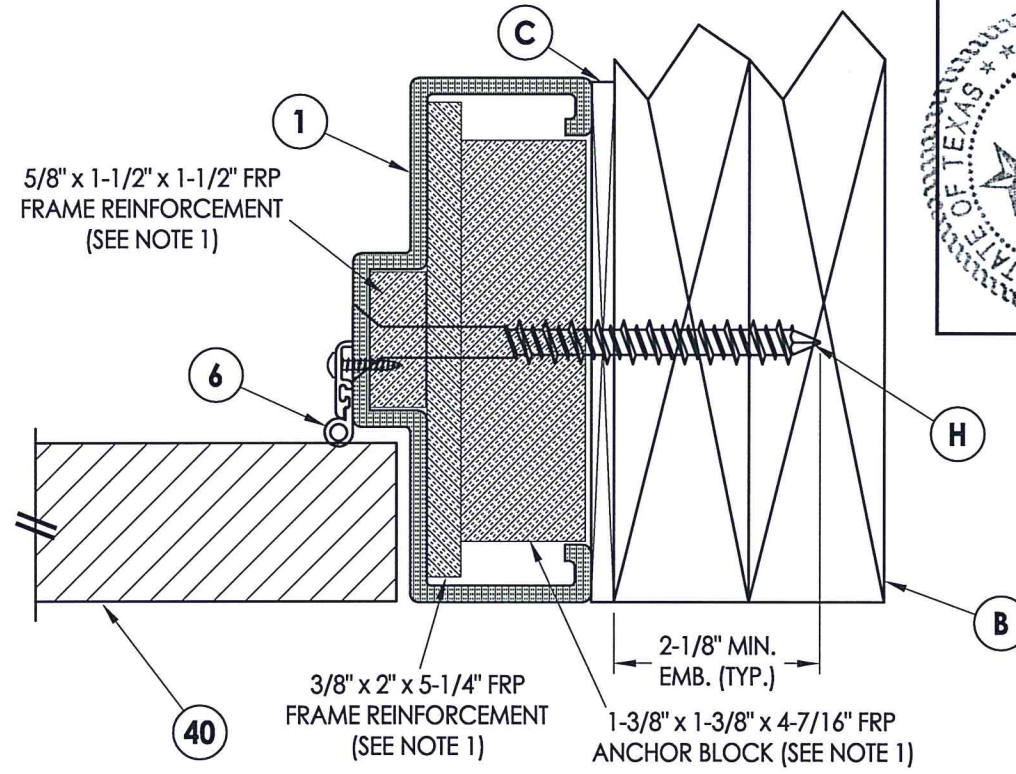
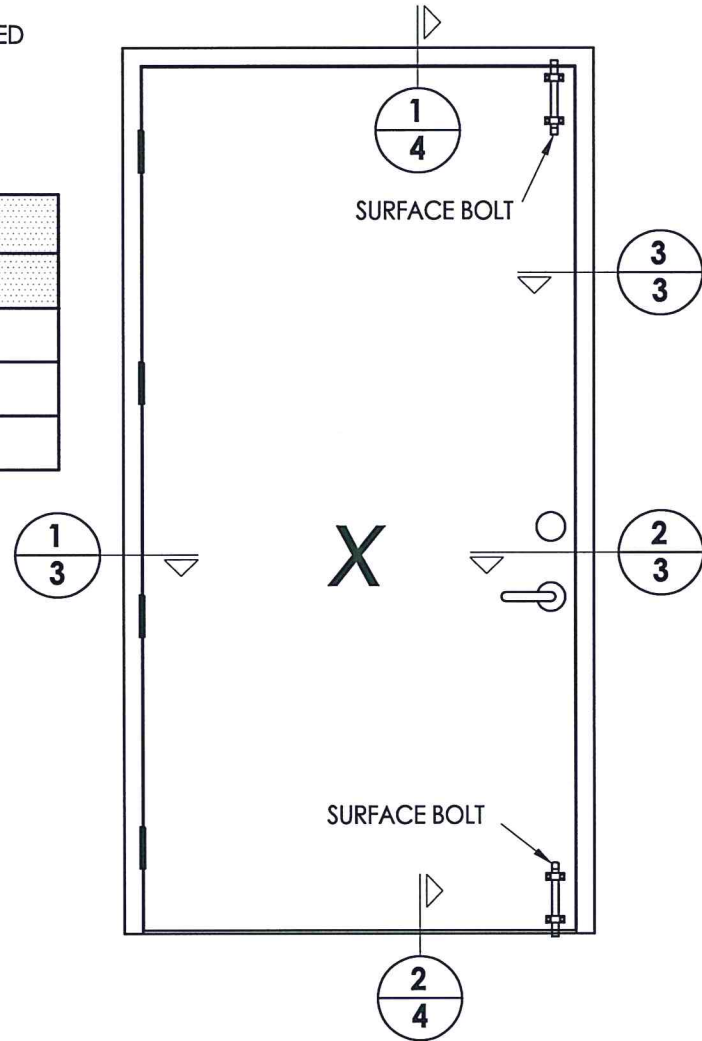
NO.	DATE	DESCRIPTION	BY
1	1/19/22	UPDATE TO 2018 IBC/IRC	LFS

DATE:	5/14/18
SCALE:	N.T.S.
DWG. BY:	JK
CHK. BY:	LFS
DRAWING NO.:	TX-4847
SHEET	2 OF 6

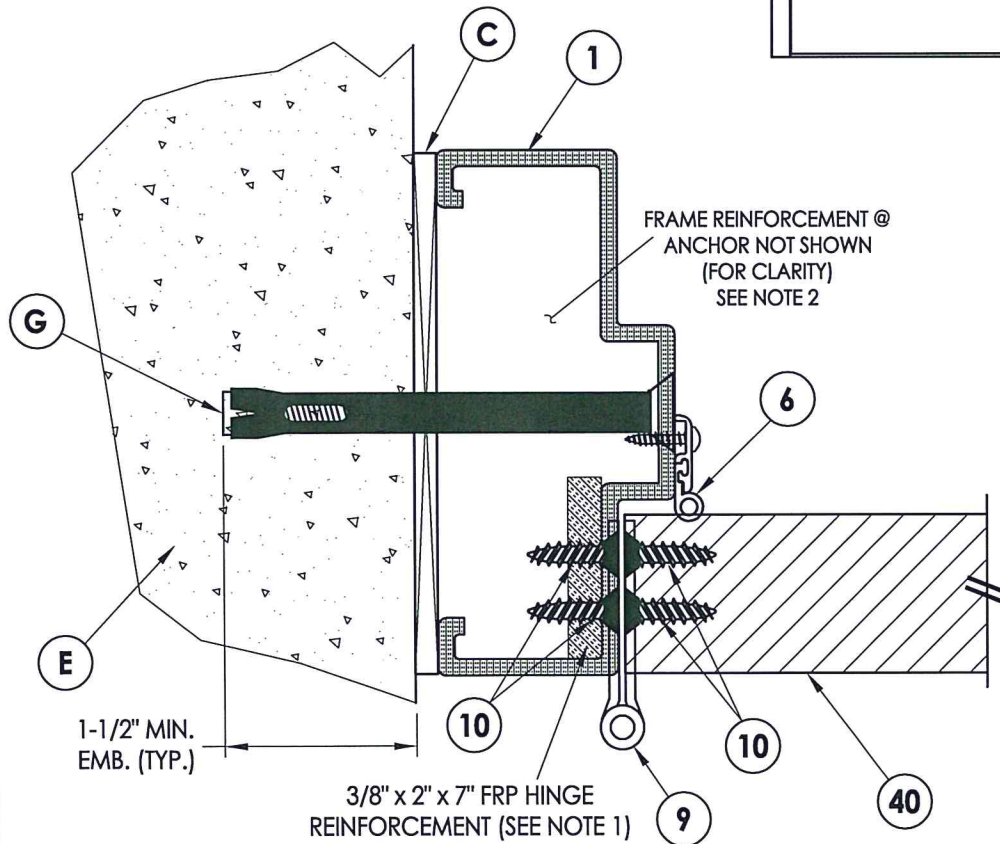
Z:\Clients\Senneca\B - Texas Dept of Ins\Tiger Door\DR 981 Tiger Fiberglass Door - Impact\Drawings\TX-4847.48 REV.dwg

- NOTES:
 1. ALL FRP REINFORCEMENTS/ANCHOR BLOCKS ARE SECURED TO THE FRAME WITH LORD 7542A/B URETHANE ADHESIVE.
 2. FRAME REINFORCEMENTS SHOWN IN SECTION 3/3 ARE REQUIRED AT EACH ANCHOR LOCATION.

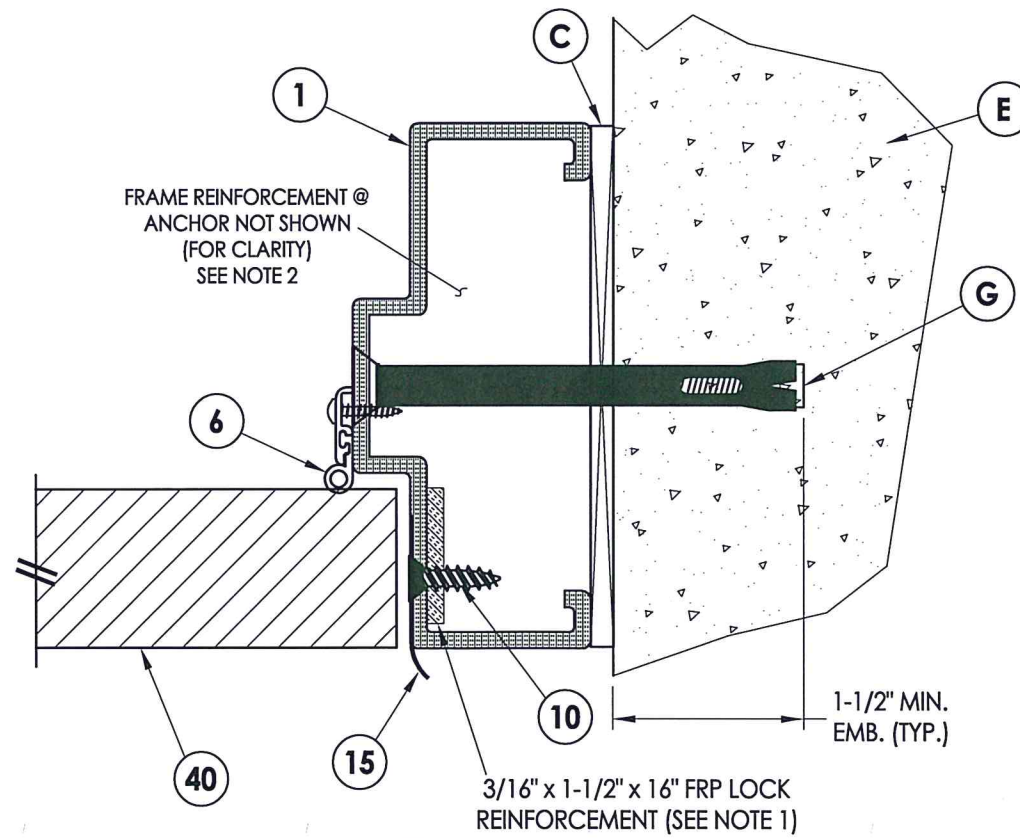
HARDWARE CHART		
MANUFACTURER	MODEL	
SCHLAGE	MORTISE LOCK:	L 9000 SERIES
SARGENT	DEADBOLT:	480 SERIES
ROCKWOOD	SURFACE BOLTS:	580-8



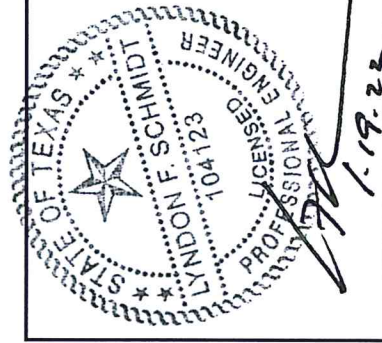
3 HORIZONTAL CROSS SECTION
3 Outswing configuration



1 HORIZONTAL CROSS SECTION
3 Outswing configuration



2 HORIZONTAL CROSS SECTION
3 Outswing configuration



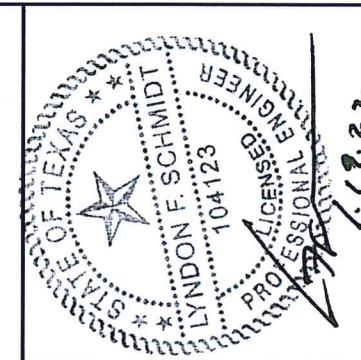
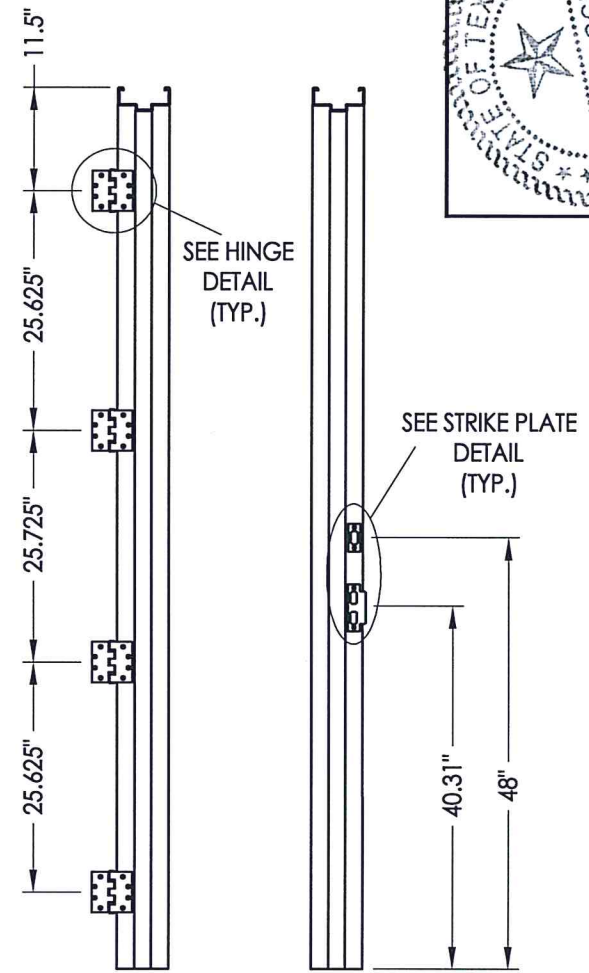
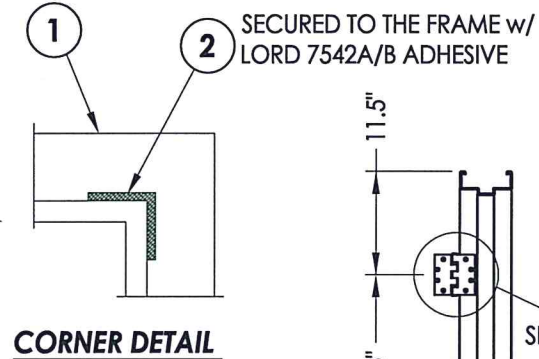
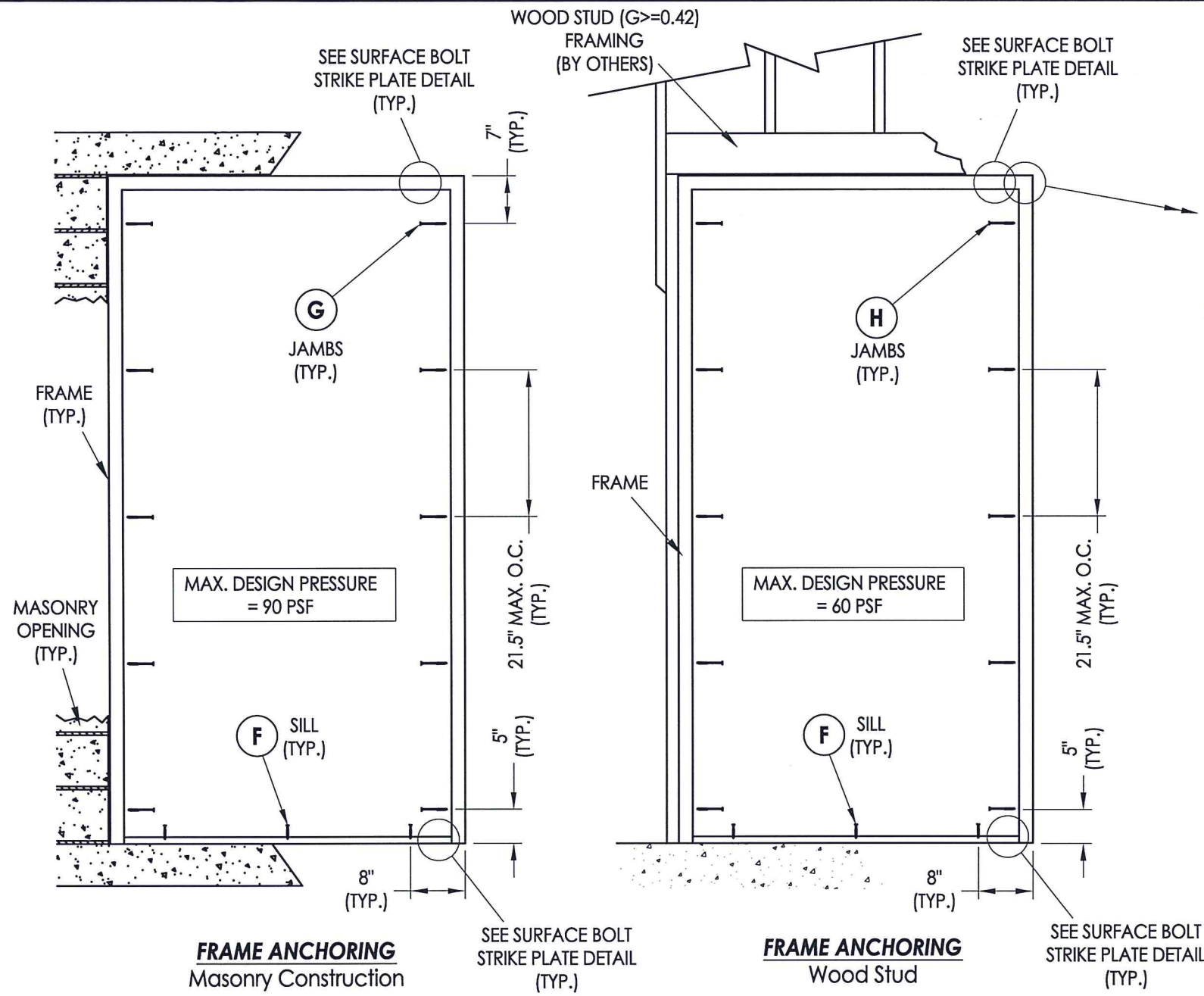
Documents Prepared By: Lyndon F. Schmidt, P.E.
 TEXAS P.E. #104123

RW BUILDING CONSULTANTS, INC.
 P.O. Box 230 Valrico FL 33595
 Phone No.: 813.659.9197

CERTIFICATE OF REGISTRATION # F-11852

PRODUCT:	FIBERGLASS DOOR				
PART OR ASSEMBLY:	HORIZONTAL CROSS SECTIONS				
DATE:	5/14/18				
SCALE:	N.T.S.				
DWG. BY:	JK				
CHK. BY:	LFS				
DRAWING NO.:	TX-4847				
SHEET	3 OF 6				
NO.	1	DATE	1/19/22	UPDATE TO	2018 IBC/IRC
BY	LFS	BY		REVISIONS	

© 2018 R.W. BUILDING CONSULTANTS INC.



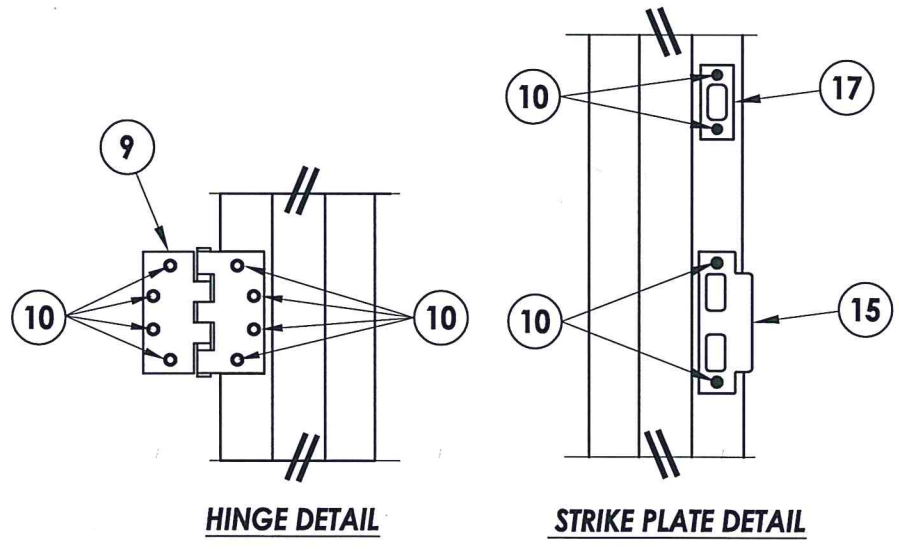
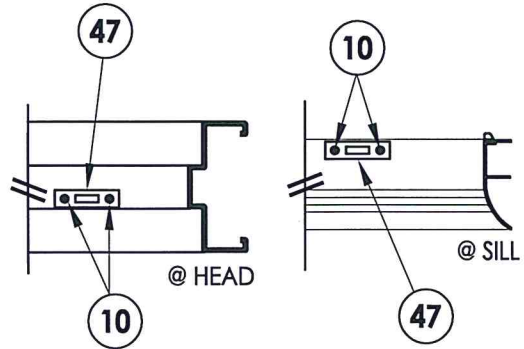
Documents Prepared By: Lyndon F. Schmidt, P.E.
TEXAS P.E. #104123

RW BUILDING CONSULTANTS, INC.
P.O. Box 230 Valrico FL, 33595
Phone No.: 813.659.9197

CERTIFICATE OF REGISTRATION # F-11852

- CONCRETE ANCHOR NOTES:**
- Concrete screw locations at the corners may be adjusted to maintain a minimum 1" edge distance to mortar joints. If concrete screw locations noted as "MAX. O.C." must be adjusted to maintain the minimum edge distance to mortar joints, additional concrete screws may be required to ensure the maximum on center dimension is not exceeded.
 - Concrete anchor table:

ANCHOR TYPE	ANCHOR LOCATION	ANCHOR SIZE	MANUFACTURER	MIN. EDGE DISTANCE	MIN. EMBEDMENT
CONCRETE ANCHOR SCREW	SILL	1/4"	TAPCON® (ITW BUILDEX) ULTRACON+® (DeWALT)	2-1/2"	1-3/4"
CONCRETE SLEEVE ANCHOR	JAMBS	3/8"	DYNABOLT SLEEVE ANCHOR® (ITW REDHEAD)	2-1/4"	1-1/2"

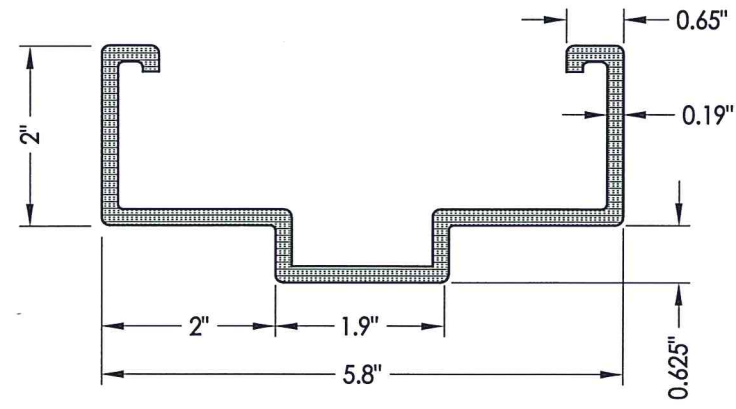


PRODUCT:	FIBERGLASS DOOR	
PART OR ASSEMBLY:	FRAME ANCHORING & HARDWARE DETAILS	
NO.	DATE	BY
1	1/19/22	LFS
UPDATE TO 2018 IBC/IRC		
REVISIONS		
DATE:	5/14/18	
SCALE:	N.T.S.	
DWG. BY:	JK	
CHK. BY:	LFS	
DRAWING NO.:	TX-4847	
SHEET	5	OF 6

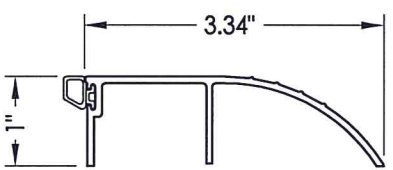
BILL OF MATERIALS

ITEM #	DESCRIPTION	MATERIAL
C	1/4" MAX. SHIM SPACE	-
E	MASONRY - 3,000 PSI MIN. CONCRETE CONFORMING TO ACI 301 OR HOLLOW BLOCK (GROUT FILLED) CONFORMING TO ASTM C90	CONCRETE
F	1/4" x 2-3/4" PFH DeWALT OR ITW CONCRETE SCREW	STEEL
G	3/8"Ø DYNABOLT SLEEVE ANCHOR	STEEL
H	3/8"Ø x 5" LAG SCREW	STEEL
1	DOOR FRAME (FRP)	FIBERGLASS
2	FRAME CORNER REINFORCEMENT (FRP)	FIBERGLASS
6	WEATHERSTRIP	NEOPRENE
7	DOOR SWEEP	VINYL
9	4-1/2" X 4-1/2" BUTT HINGE	SS
10	#12 X 1" PFH SMS	SS
15	MORTISE LATCH & DEADBOLT STRIKE PLATE	SS
16	LATCH STRIKE PLATE	SS
17	DEADBOLT STRIKE PLATE	STEEL
30	OUTSWING THRESHOLD	ALUM
40	DOOR PANEL - SEE DOOR PANEL DETAIL SHEET FOR CONSTRUCTION DETAILS	-
43	8-32 X 1" MACHINE SCREW w/ 1-3/4" SEX BOLT	STEEL
44	SURFACE BOLT - ROCKWOOD 580-8	SS
47	SURFACE BOLT STRIKE PLATE	SS

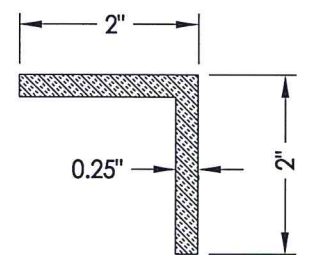
FIBER REINFORCED PLASTIC (FRP)



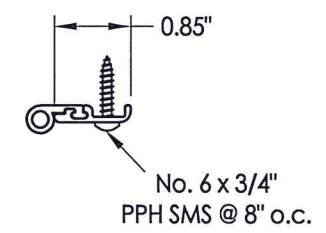
1 DOOR FRAME (FRP)



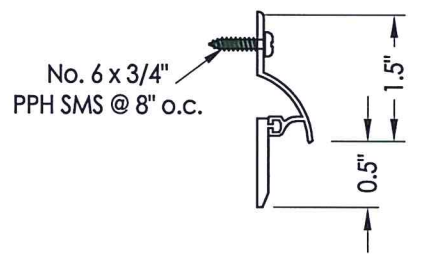
30 OUTSWING THRESHOLD
Pemko 2051-T



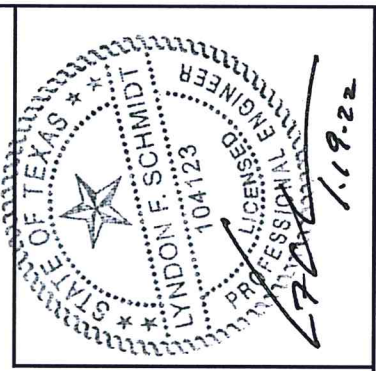
2 FRAME CORNER REINFORCEMENT
5" LONG



6 WEATHERSTRIP
NGP 137N



7 DOOR SWEEP
NGP 101 VA



Documents Prepared By: Lyndon F. Schmidt, P.E.
TEXAS P.E. #104123

RW BUILDING CONSULTANTS, INC.
P.O. Box 230 Valrico FL 33595
Phone No.: 813.659.9197

CERTIFICATE OF REGISTRATION # F-11852

PRODUCT:	FIBERGLASS DOOR	
PART OR ASSEMBLY:	BILL OF MATERIALS & COMPONENTS	
NO.	DATE	DESCRIPTION
1	1/19/22	UPDATE TO 2018 IBC/IRC
LFS	BY	REVISIONS
DATE: 05/14/18		
SCALE: N.T.S.		
DWG. BY: JK		
CHK. BY: LFS		
DRAWING NO.: TX-4847		
SHEET 6 OF 6		