



# Glazed Fiberglass Single Door w/ Sidelites

CONTINUOUS HEAD & SILL FRAME SYSTEM  
IN SWING / OUT SWING  
"NON-IMPACT"

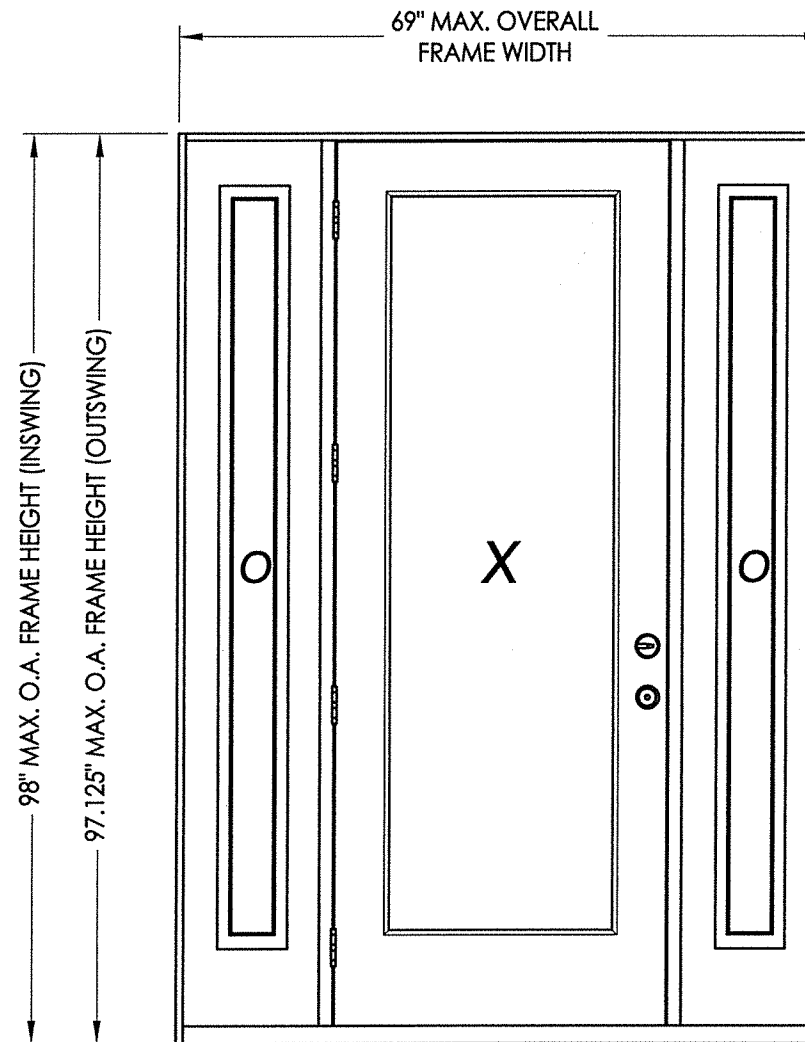
**EVALUATED FOR USE IN THE STATE OF TEXAS**

The Glazed Fiberglass Door system described herein complies with the 2018 International Residential Code (IRC), Sections R301 & R609 and the 2018 International Building Code (IBC), Sections 1404.13, 1609, 1709.5, 2403 and 2404 subject to the following conditions:

1. Anchors shall be as listed and spaced as shown in the details. Anchor embedment to base material shall be beyond wall dressing or stucco.
2. When used in areas requiring wind-borne debris protection this product is required to be protected with an impact resistant covering that complies with Section R301.2.1.2 of the IRC and Section 1609.2 of the IBC.
3. Allowable design pressure requirements must be equal to or less than the design pressure rating shown in the design pressure chart, sheet 1 of this drawing.
4. Conditions not covered by this drawing are subject to further engineering analysis.

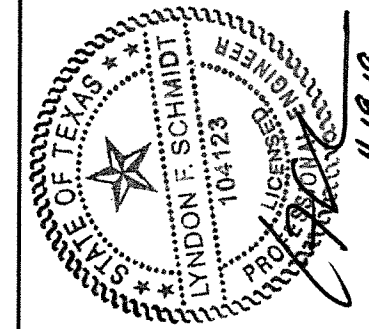
**TABLE OF CONTENTS**

SHEET #	DESCRIPTION
1	Typical elevations, design pressures & general notes
2	Door panel details
3	Sidelite panel details
4	Horizontal cross sections
5	Vertical cross sections
6	Vertical cross sections
7	Frame anchoring



MODEL	DESIGN PRESSURE (PSF) w/ PINE FRAME & FATBOY PINE MULLIONS		DESIGN PRESSURE (PSF) w/ "FusionFrame" FRAME & MULLIONS	
	POSITIVE	NEGATIVE	POSITIVE	NEGATIVE
IN SWING	+50.0	-55.0	+50.0	-50.0
OUT SWING	+55.0	-55.0	+50.0	-50.0

SEE SHEET 6 FOR THRESHOLD DESIGN PRESSURE LIMITATIONS

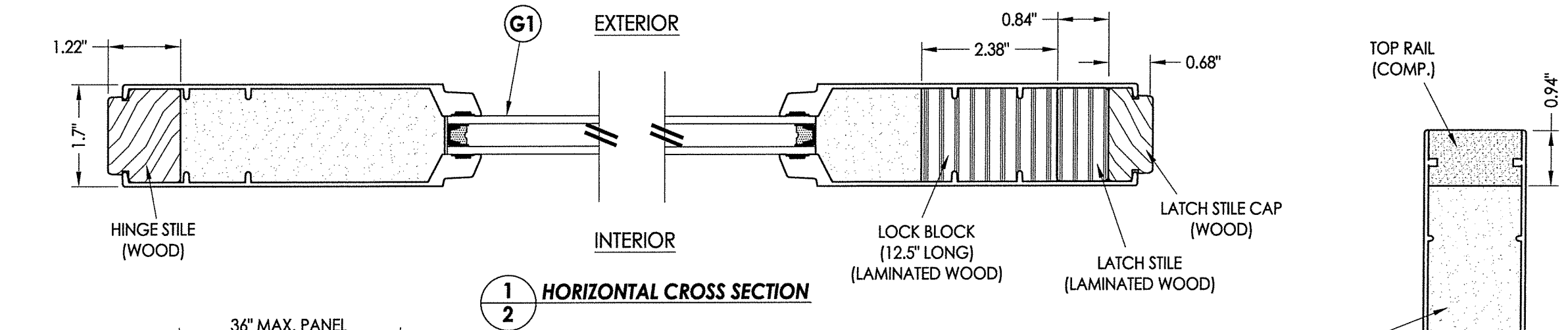


Documents Prepared By: Lyndon F. Schmidt, P.E.  
TEXAS P.E. #104123

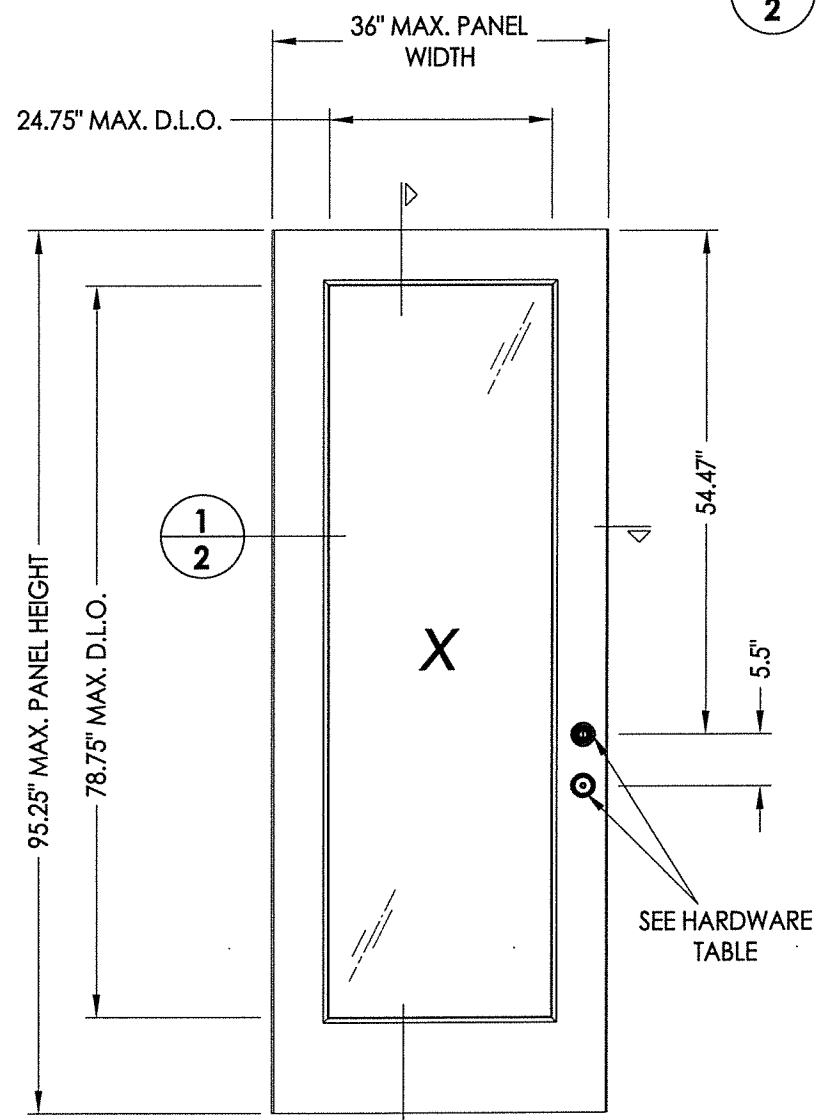
**RW** BUILDING CONSULTANTS, INC.  
P.O. Box 230 Valrico FL 33595  
Phone No.: 813.659.9197  
TEXAS BOARD OF PROFESSIONAL ENGINEERS  
CERTIFICATE OF REGISTRATION # F-11852

PRODUCT:	ENDURA	
PART OR ASSEMBLY:	TYPICAL ELEVATION, DESIGN PRESSURES & GENERAL NOTES	
NO.	DATE	BY
1	11/19/19	LFS
ADD "FusionFrame" OPTION & UPDATE TO 2018 IBC/IRC CODE		
REVISIONS		
DATE: 12/05/17		
SCALE: N.T.S.		
DWG. BY: JK		
CHK. BY: LFS		
DRAWING NO.: TX-4758		
SHEET 1 OF 7		

R:\Clients\Endura PERMANENT\B - Texas Dept of Ins\TDI - DR-956 Glazed Thermo-Tru FG door OXO (LK, DB) 14 in SL (4757-4758)\C - Drawings\TX-4757.58.dwg, 2.4

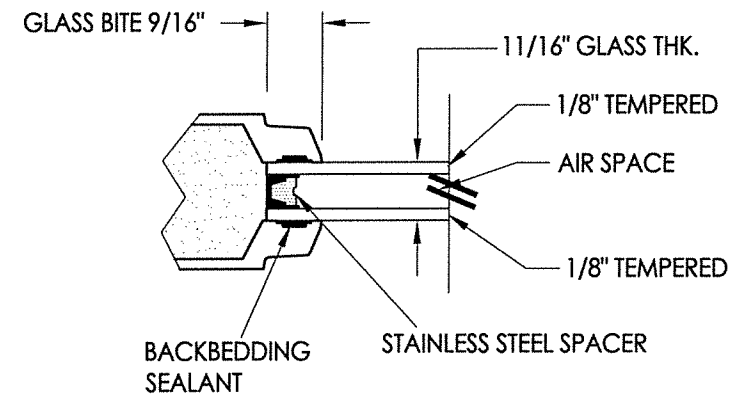


**1**  
**2** **HORIZONTAL CROSS SECTION**



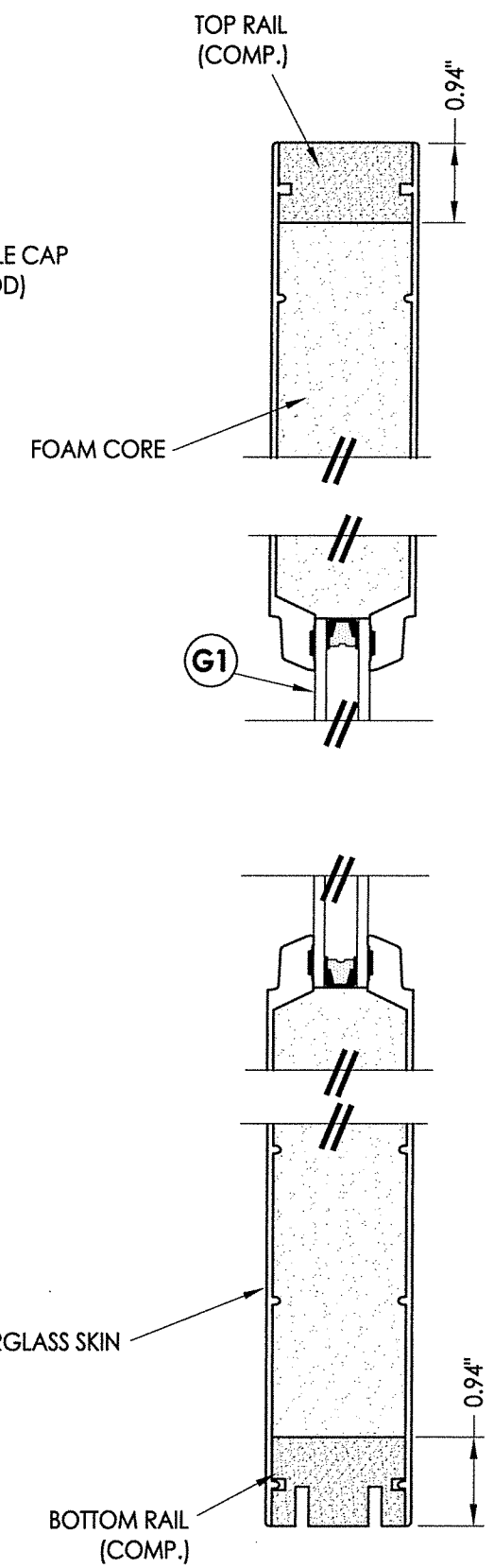
**40** **DOOR PANEL**  
Therma-Tru Fiberglass

DOOR SKIN: FIBERGLASS (0.075" MIN. THICKNESS)  
CORE MATERIAL: POLYURETHANE FOAM

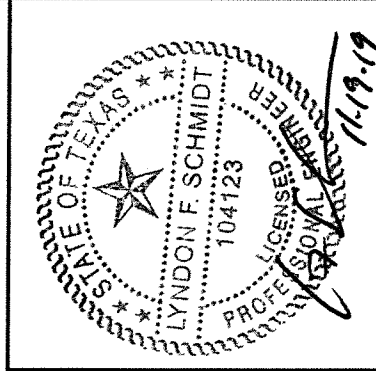


**G1** **GLAZING DETAIL**  
Flush Glazed

HARDWARE TABLE	
MANUFACTURER	MODEL
KWIKSET	KNOB: SIGNATURE SERIES DEADBOLT: SIGNATURE SERIES (980)



**2**  
**2** **VERTICAL CROSS SECTION**



Documents Prepared By: Lyndon F. Schmidt, P.E.  
TEXAS P.E. #104123

**RW** BUILDING CONSULTANTS, INC.  
P.O. Box 230 Valrico FL 33595  
Phone No.: 813.659.9197

TEXAS BOARD OF PROFESSIONAL ENGINEERS  
CERTIFICATE OF REGISTRATION # F-11852

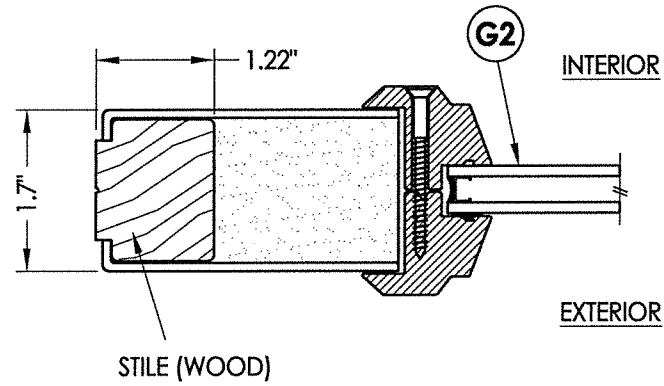
PRODUCT:	ENDURA
PART OR ASSEMBLY:	DOOR PANEL DETAILS & GLAZING DETAIL

NO.	DATE	BY	REVISIONS
1	11/19/19	LFS	ADD "FusionFrame" OPTION & UPDATE TO 2018 IBC/IRC CODE

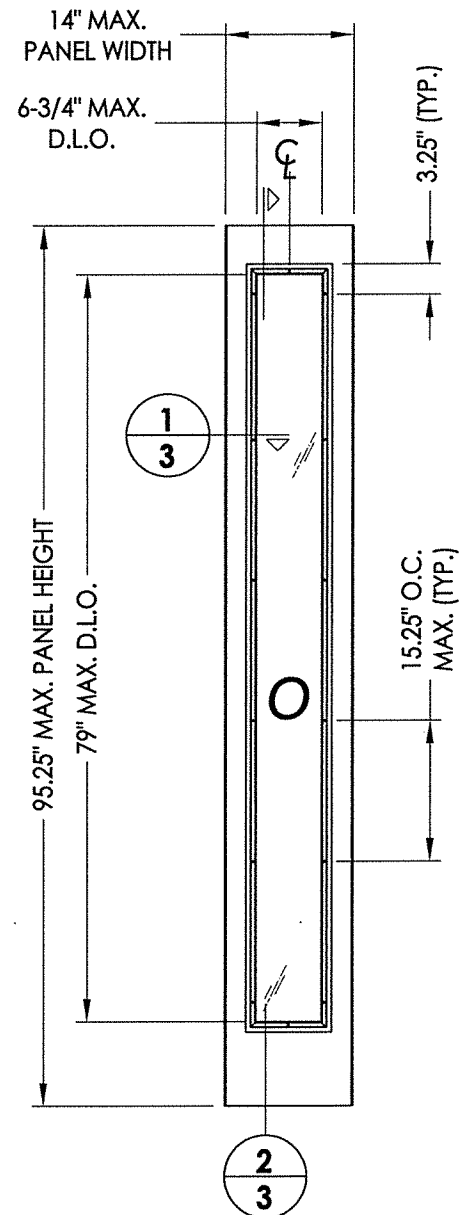
DATE:	12/05/17
SCALE:	N.T.S.
DWG. BY:	JK
CHK. BY:	LFS
DRAWING NO.:	TX-4758
SHEET	2 OF 7

© 2016 R.W. BUILDING CONSULTANTS INC.

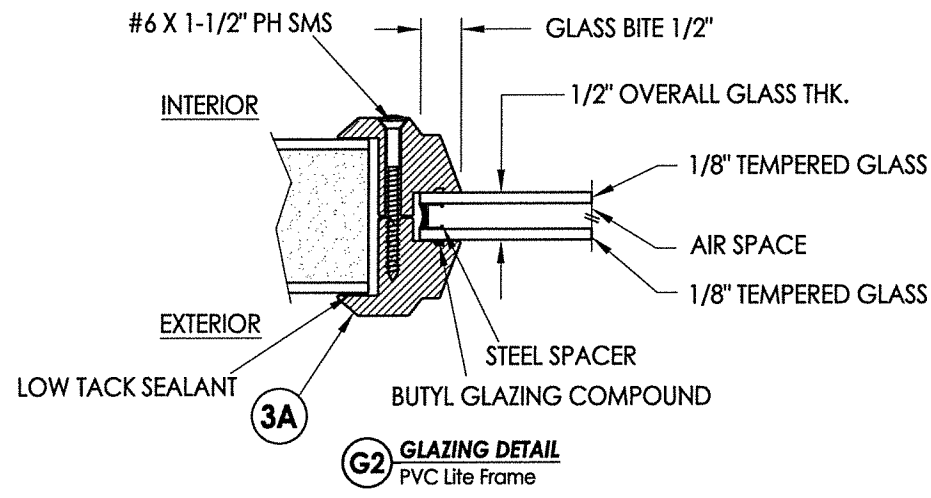
R:\Clients\Endura PERMANENT\B - Texas Dept of Ins\TDI - DR-956 Glazed Thermo-Tru FG door OXO (LK, DB) 14 in SL (4757-4758)\C - Drawings\TX-4757.58.dwg, 3.4



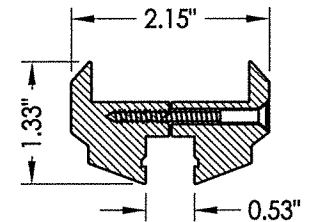
**1**  
**3** HORIZONTAL CROSS SECTION



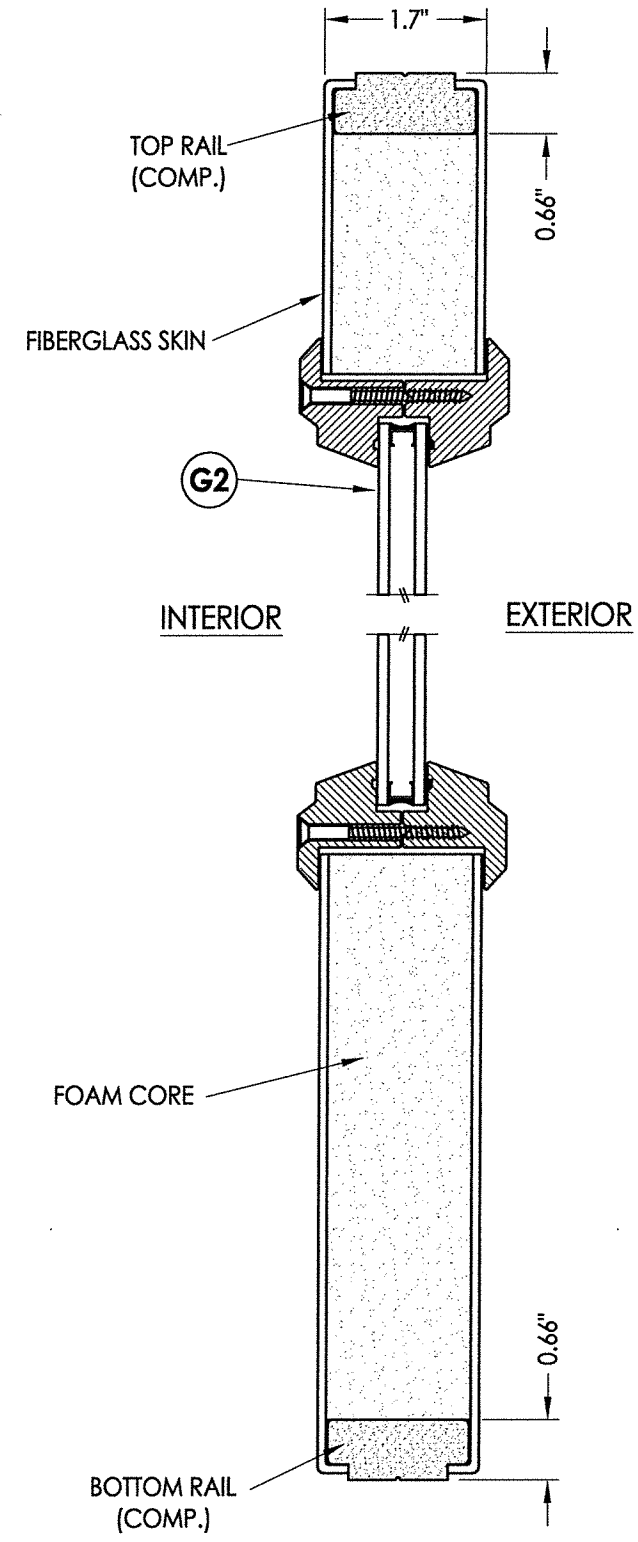
**50** SIDELITE PANEL  
Therma-Tru Fiberglass



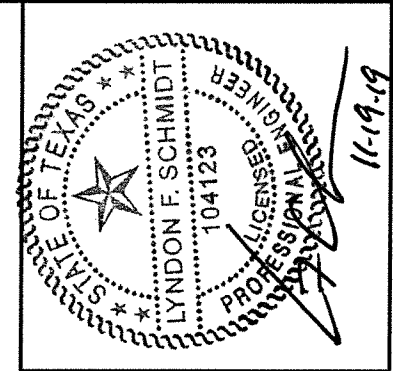
**G2** GLAZING DETAIL  
PVC Lite Frame



**3A** PVC LITE FRAME



**2**  
**3** VERTICAL CROSS SECTION



Documents Prepared By: Lyndon F. Schmidt, P.E.  
TEXAS P.E. #104123

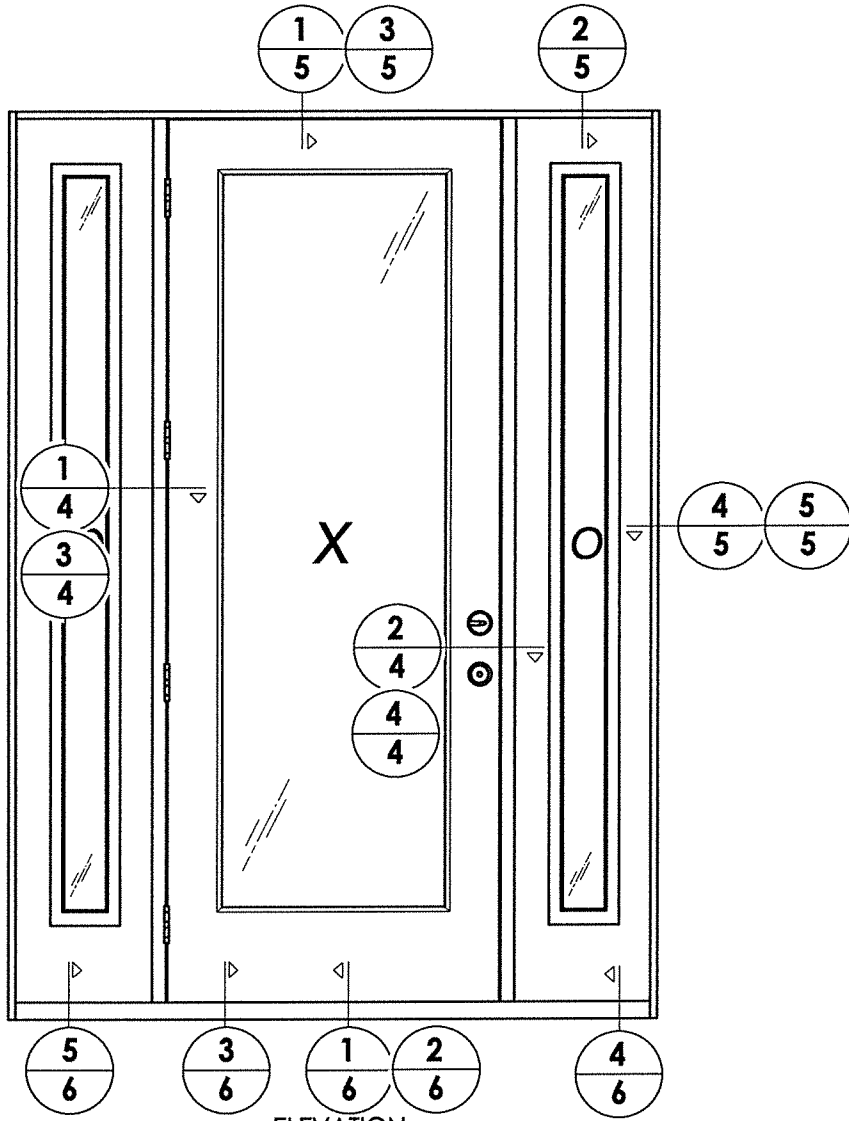
**RW** BUILDING CONSULTANTS, INC.  
P.O. Box 230 Valrico FL 33595  
Phone No.: 813.659.9197  
TEXAS BOARD OF PROFESSIONAL ENGINEERS  
CERTIFICATE OF REGISTRATION # F-11852

PRODUCT: ENDURA  
PART OR ASSEMBLY: SIDELITE PANEL DETAILS (LIP LITE INSERT GLAZING)

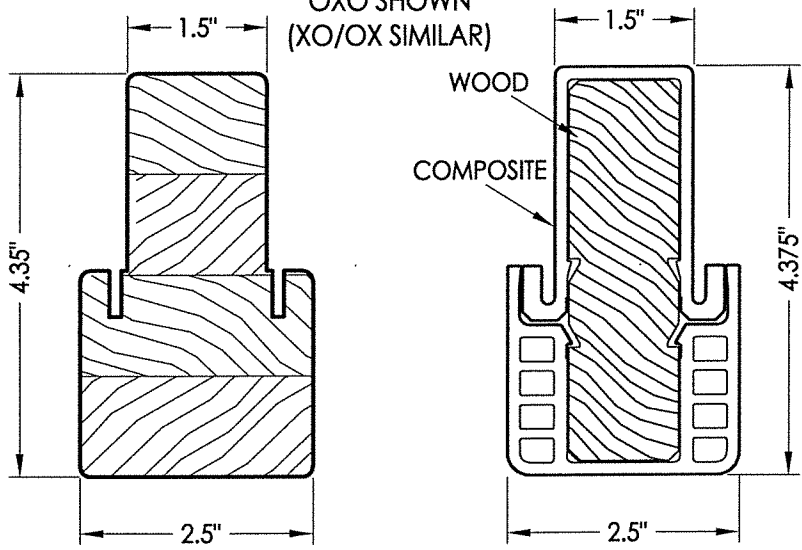
NO.	DATE	BY	REVISIONS
1	11/19/19	LFS	ADD "FusionFrame" OPTION & UPDATE TO 2018 IBC/IRC CODE

DATE: 12/05/17  
SCALE: N.T.S.  
DWG. BY: JK  
CHK. BY: LFS  
DRAWING NO.: TX-4758  
SHEET 3 OF 7

R:\Clients\Endura PERMANENT\B - Texas Dept of Ins\TDI - DR-956 Glazed Thermo-Tru FG door OXO (LK, DB) 14 in SL (4757-4758)\C - Drawings\TX-4757.58.dwg, 4.4



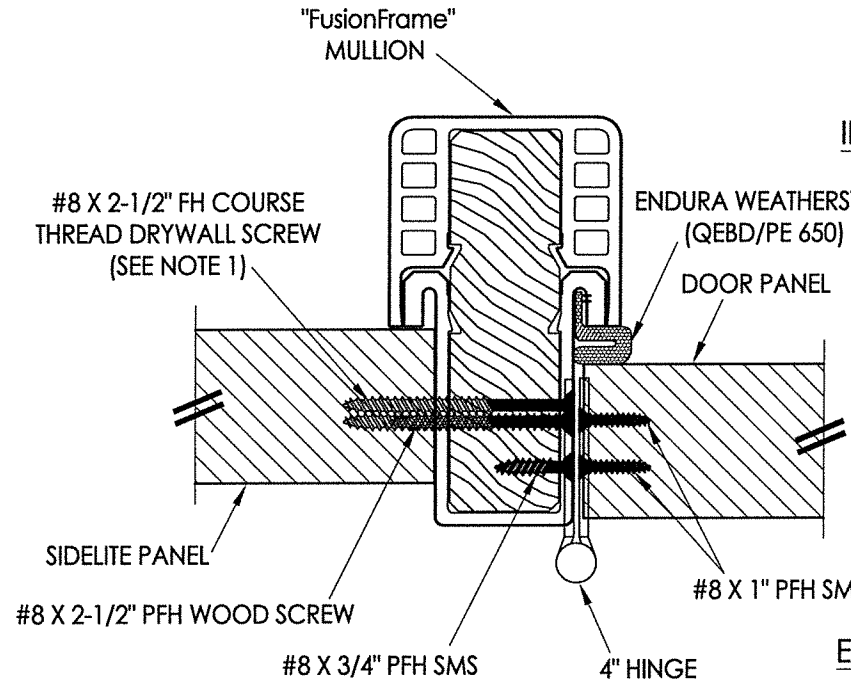
**ELEVATION**  
OXO SHOWN  
(XO/OX SIMILAR)



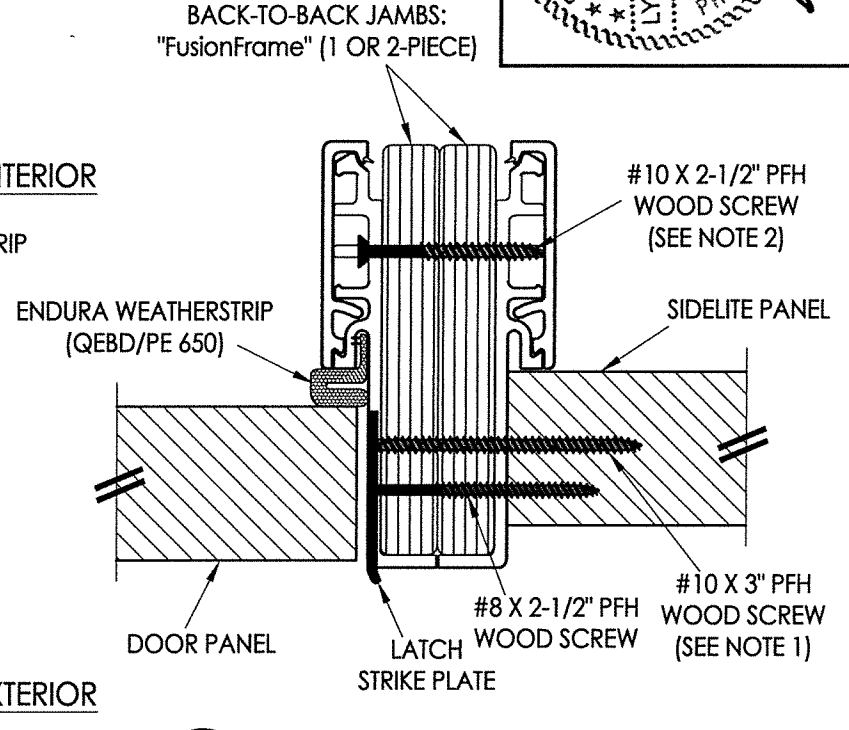
**FATBOY MULLION**  
PINE

**MULLION**  
"FusionFrame"

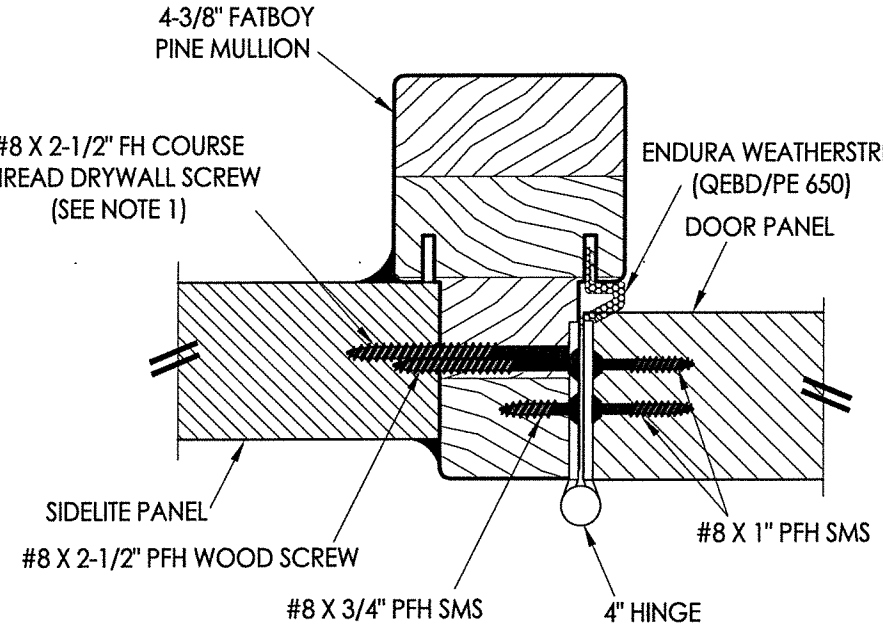
- NOTES:**
1. Spacing for sidelite screws: 6.5", 35.5", 57.25" and 85" from head to sill (4 total).
  2. Spacing for mullion screws: 6" from each end plus 3 more equally spaced (5 total).



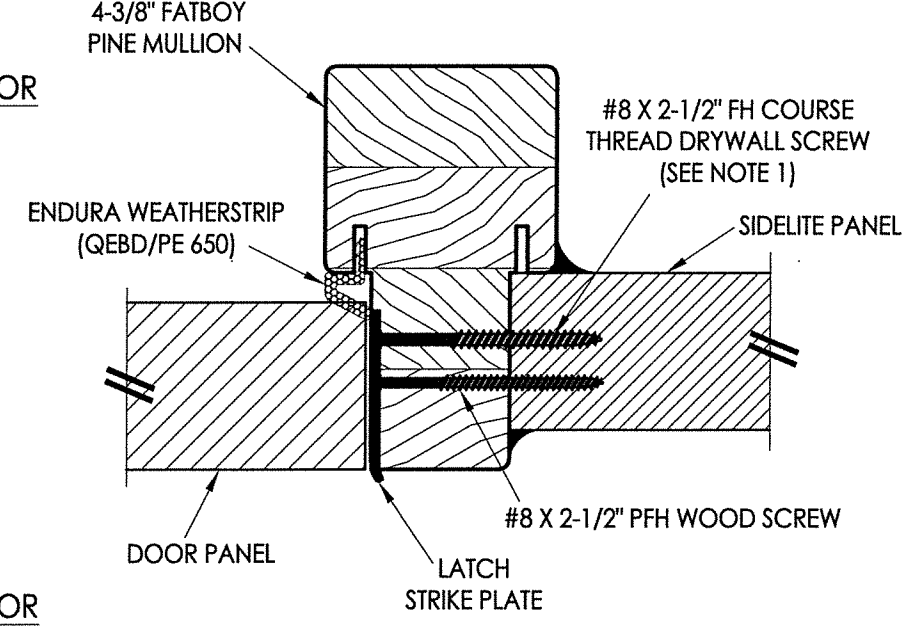
**3 HORIZONTAL CROSS SECTION**  
Outswing shown - Inswing also approved



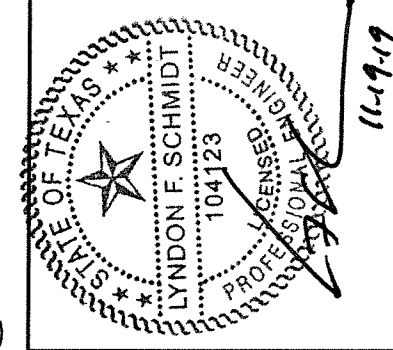
**4 HORIZONTAL CROSS SECTION**  
Outswing shown - Inswing also approved



**1 HORIZONTAL CROSS SECTION**  
Outswing shown - Inswing also approved



**2 HORIZONTAL CROSS SECTION**  
Outswing shown - Inswing also approved



Documents Prepared By: Lyndon F. Schmidt, P.E.  
TEXAS P.E. #104123

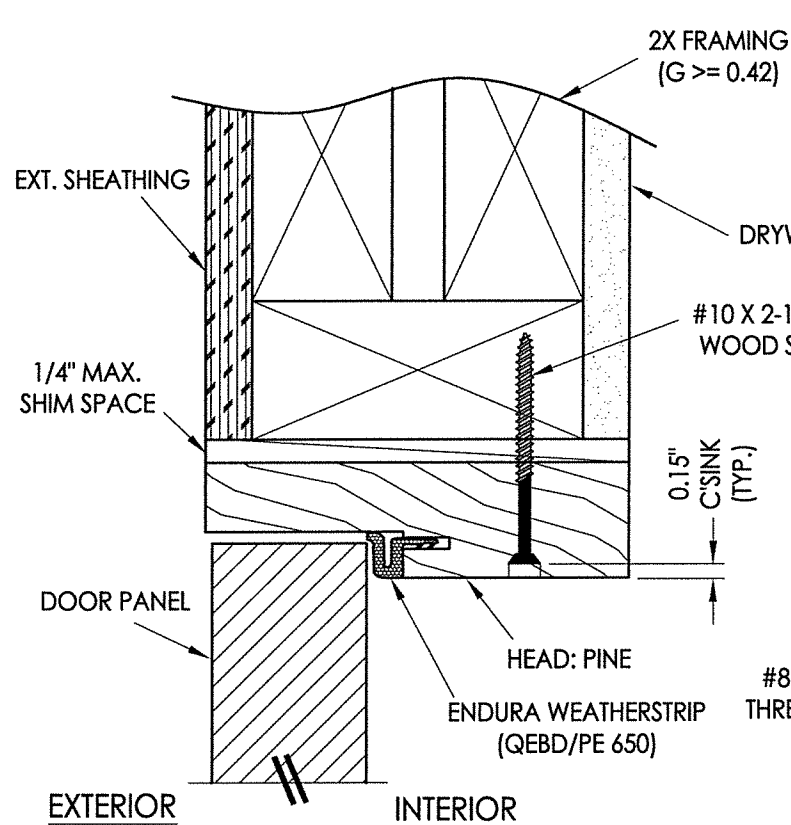
**RW** BUILDING CONSULTANTS, INC.  
P.O. Box 230 Valrico FL 33595  
Phone No.: 813.659.9197

TEXAS BOARD OF PROFESSIONAL ENGINEERS  
CERTIFICATE OF REGISTRATION # F-11852

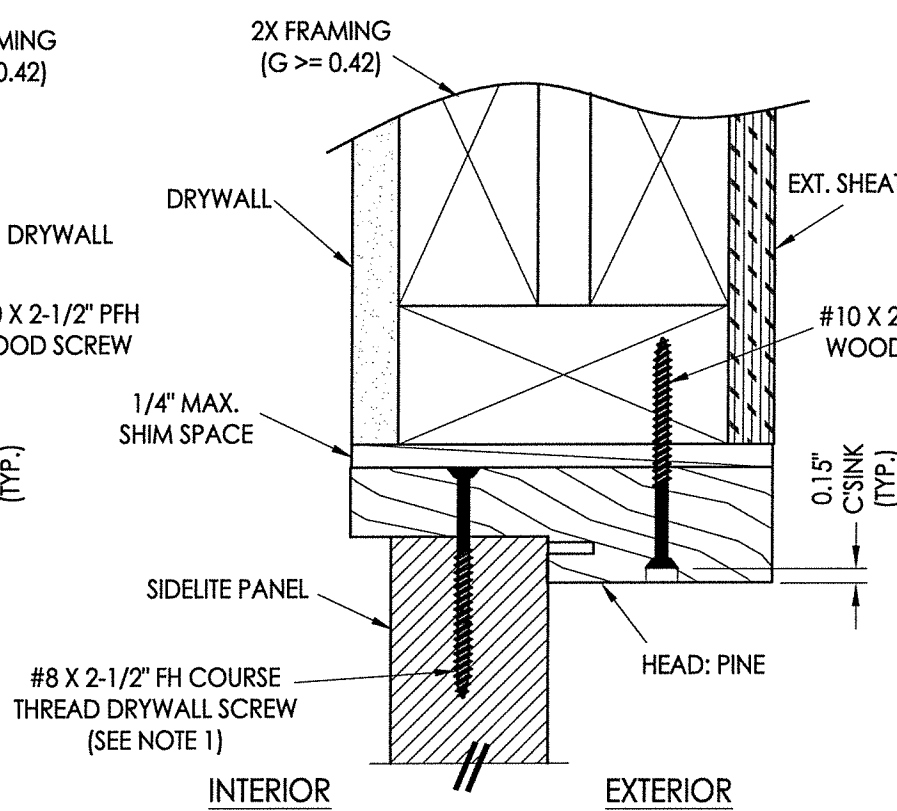
PRODUCT:	ENDURA	
	FIBERGLASS DOOR	
	PART OR ASSEMBLY:	
	HORIZONTAL CROSS SECTIONS	
NO.	DATE	BY
1	11/19/19	LFS
ADD "FusionFrame" OPTION & UPDATE TO 2018 IBC/IRC CODE		
REVISIONS		
DATE:	12/05/17	
SCALE:	N.T.S.	
DWG. BY:	JK	
CHK. BY:	LFS	
DRAWING NO.:	TX-4758	
SHEET	4	OF 7

© 2016 R.W. BUILDING CONSULTANTS INC.

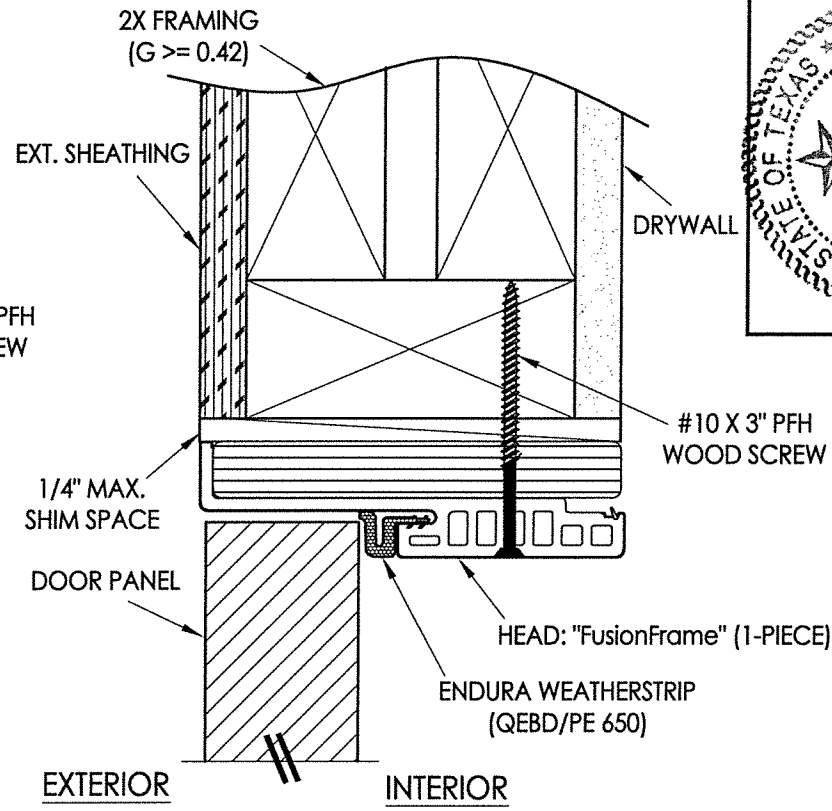
R:\Clients\Endura PERMANENT\B - Texas Dept of Ins\TDI - DR-956 Glazed Thermo-Tru FG door OXO (L.K. DB) 14.in SL (4757-4758)\C - Drawings\TX-4757.58.dwg, 5.4



**1 VERTICAL CROSS SECTION**  
**5** Outswing shown - inswing also approved

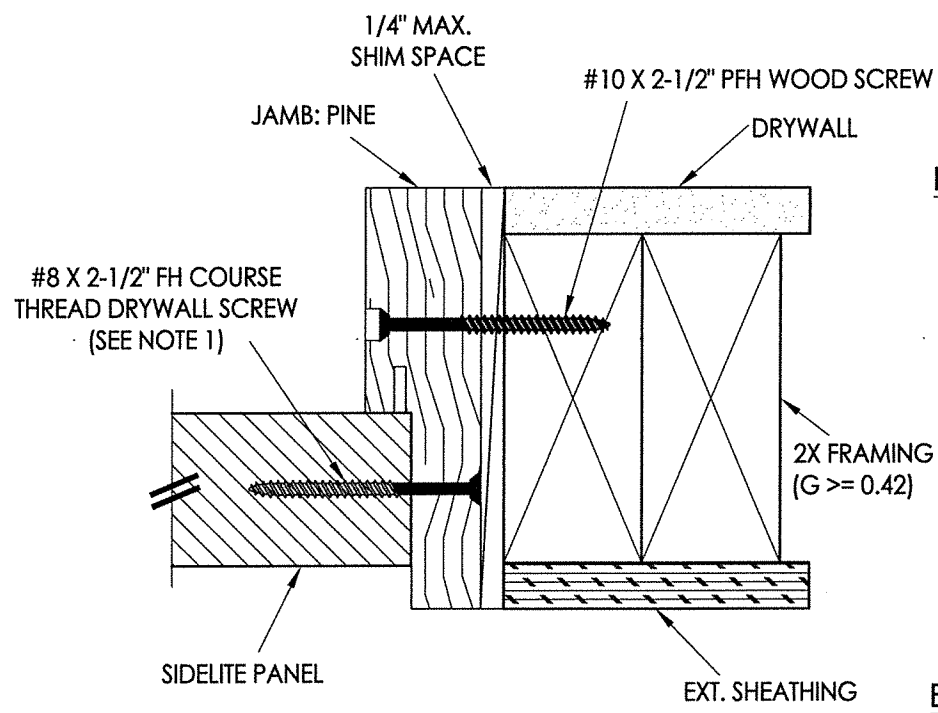
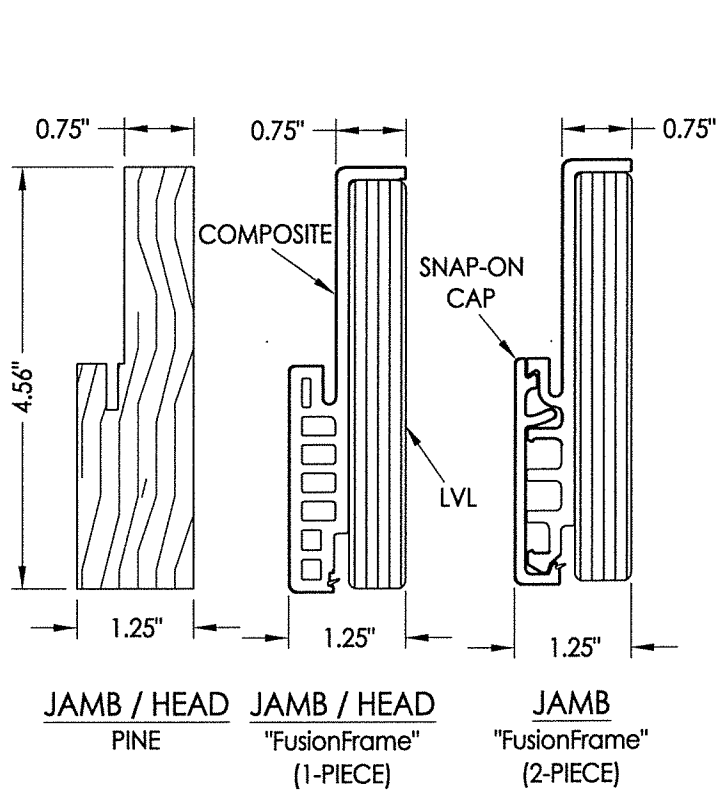


**2 VERTICAL CROSS SECTION**  
**5** Inswing shown - Outswing also approved

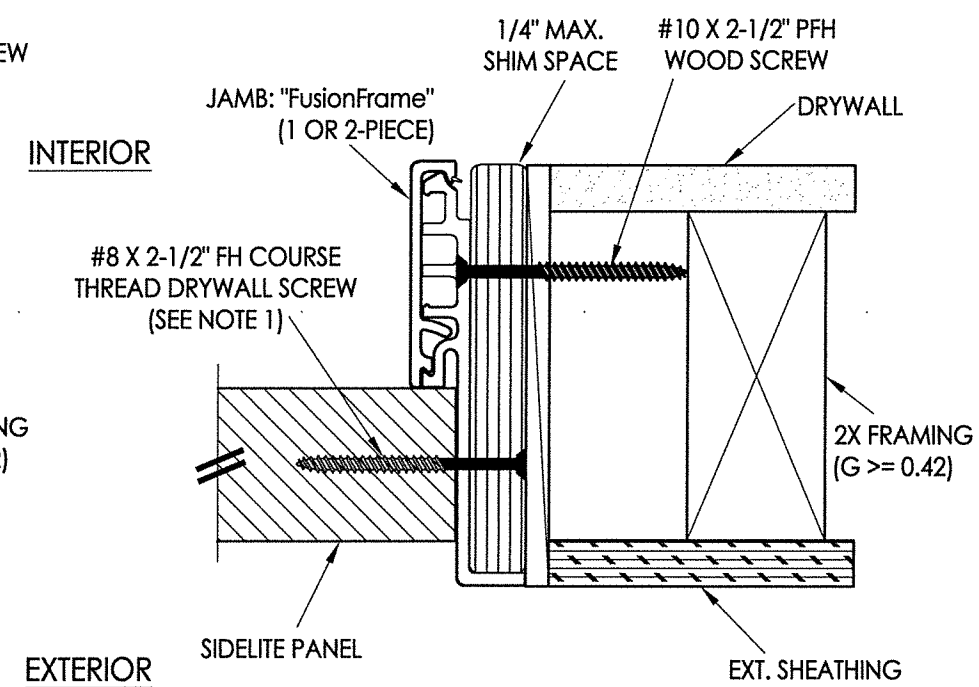


**3 VERTICAL CROSS SECTION**  
**5** Outswing shown - inswing also approved

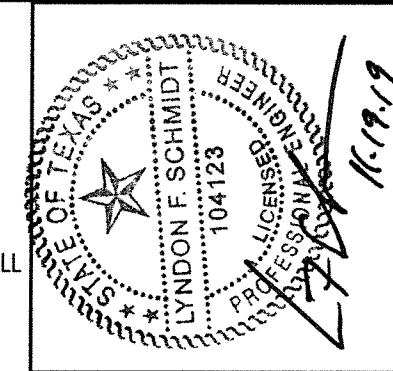
NOTE:  
 1. Spacing for sidelite screws:  
 4" from each end (2 total).



**4 HORIZONTAL CROSS SECTION**  
**5** Outswing shown - inswing also approved



**5 HORIZONTAL CROSS SECTION**  
**5** Outswing shown - inswing also approved



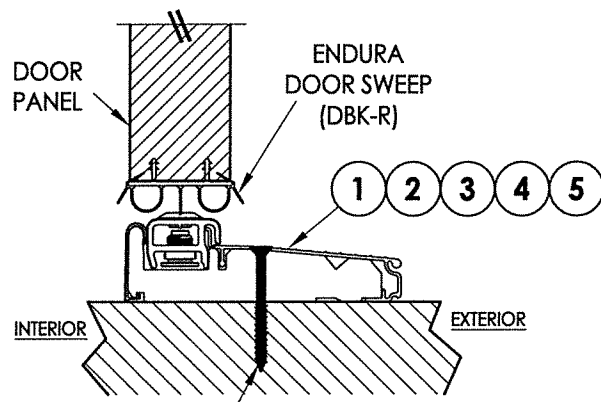
Documents Prepared By: Lyndon F. Schmidt, P.E.  
 TEXAS P.E. #104123

**RW BUILDING CONSULTANTS, INC.**  
 P.O. Box 230 Valrico FL 33595  
 Phone No.: 813.659.9197

TEXAS BOARD OF PROFESSIONAL ENGINEERS  
 CERTIFICATE OF REGISTRATION # F-11852

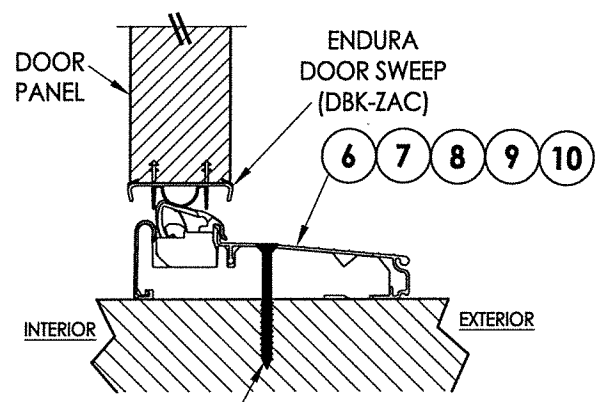
PRODUCT:	ENDURA	
PART OR ASSEMBLY:	VERTICAL CROSS SECTIONS	
NO.	DATE	BY
1	11/19/19	LFS
ADD "FusionFrame" OPTION & UPDATE TO 2018 IBC/IRC CODE		
REVISIONS		
DATE:	12/05/17	
SCALE:	N.T.S.	
DWG. BY:	JK	
CHK. BY:	LFS	
DRAWING NO.:	TX-4758	
SHEET	5	OF 7

R:\Clients\Endura PERMANENT\B - Texas Dept of Ins\TDI - DR-956 Glazed Thermo-Tru FG door OXO (LK, DB) 14 in SL (4757-4758)\C - Drawings\TX-4757.58.dwg, 6.4



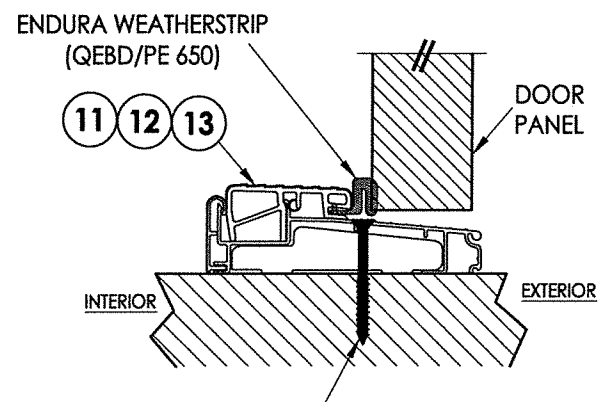
#10 X 2.5" PFH WOOD SCREW OR  
1/4" X 2-3/4" ELCO OR ITW CONCRETE SCREW

**1** VERTICAL CROSS SECTION  
**6** Inswing Adjustable Threshold



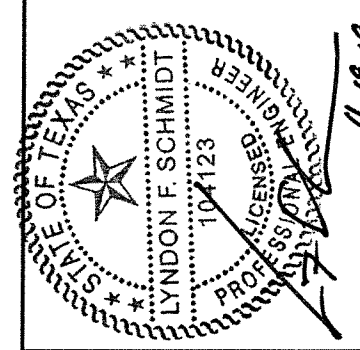
#10 X 2.5" PFH WOOD SCREW OR  
1/4" X 2-3/4" ELCO OR ITW CONCRETE SCREW

**2** VERTICAL CROSS SECTION  
**6** Inswing Articulating Threshold

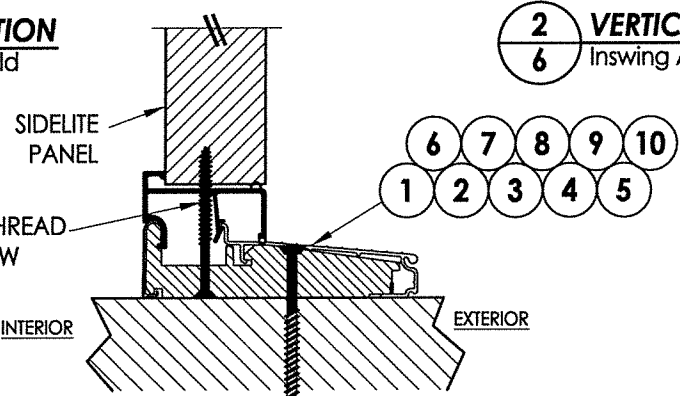


#10 X 2.5" PFH WOOD SCREW OR  
1/4" X 2-3/4" ELCO OR ITW CONCRETE SCREW

**3** VERTICAL CROSS SECTION  
**6** Outswing Bump Threshold

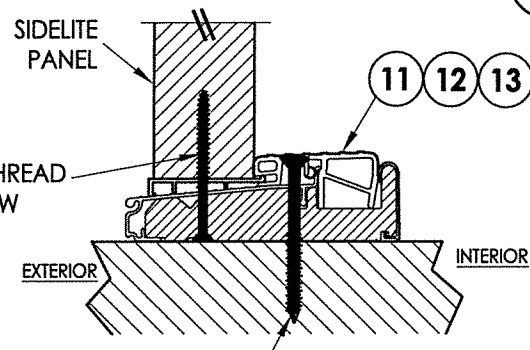


NOTE:  
1. Spacing for sidelite screws:  
6" from each end (2 total).



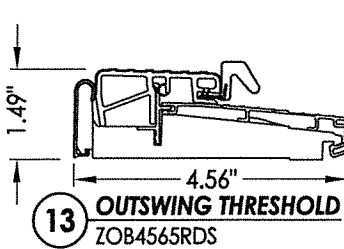
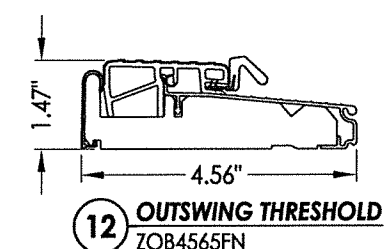
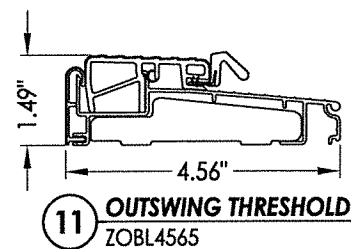
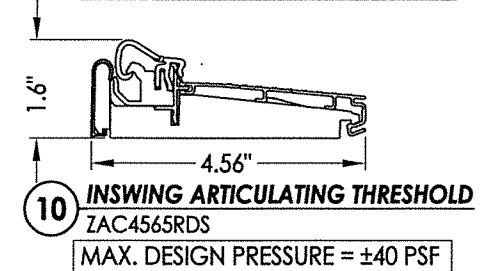
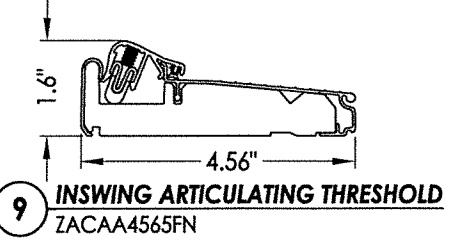
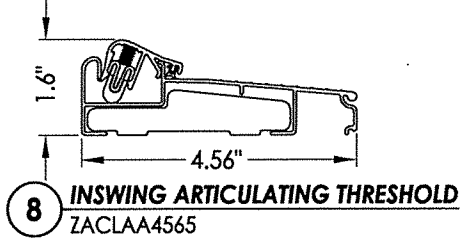
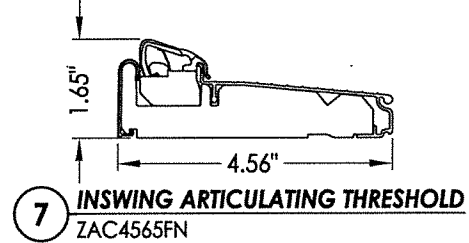
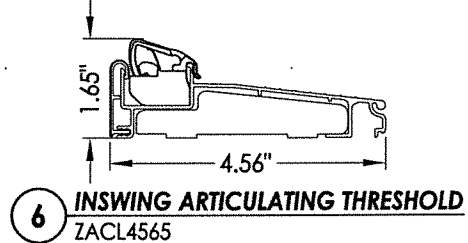
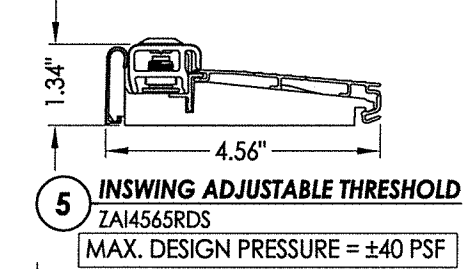
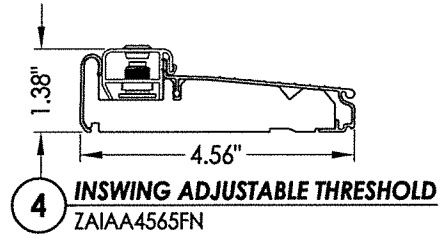
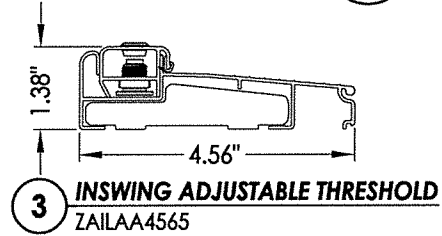
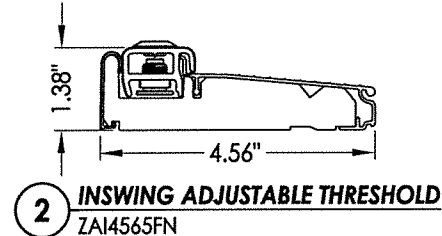
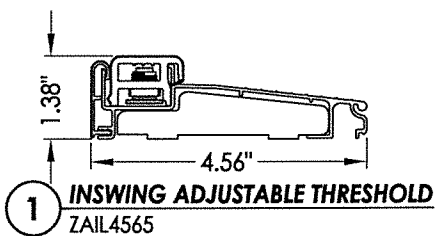
#10 X 2.5" PFH WOOD SCREW OR  
1/4" X 2-3/4" ELCO OR ITW CONCRETE SCREW

**4** VERTICAL CROSS SECTION  
**6** Inswing configuration



#10 X 3" PFH WOOD SCREW OR  
1/4" X 3-1/4" ELCO OR ITW CONCRETE SCREW

**5** VERTICAL CROSS SECTION  
**6** Outswing configuration



PRODUCT:	ENDURA
PART OR ASSEMBLY:	FIBERGLASS DOOR
NO.	1
DATE	11/19/19
BY	LFS
REVISIONS	UPDATE TO 2018 IBC/IRC CODE
DATE:	12/05/17
SCALE:	N.T.S.
DWG. BY:	JK
CHK. BY:	LFS
DRAWING NO.:	TX-4758
SHEET	6 OF 7

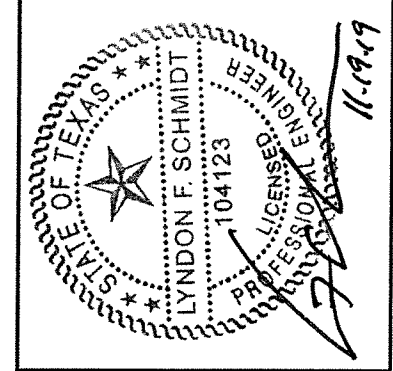
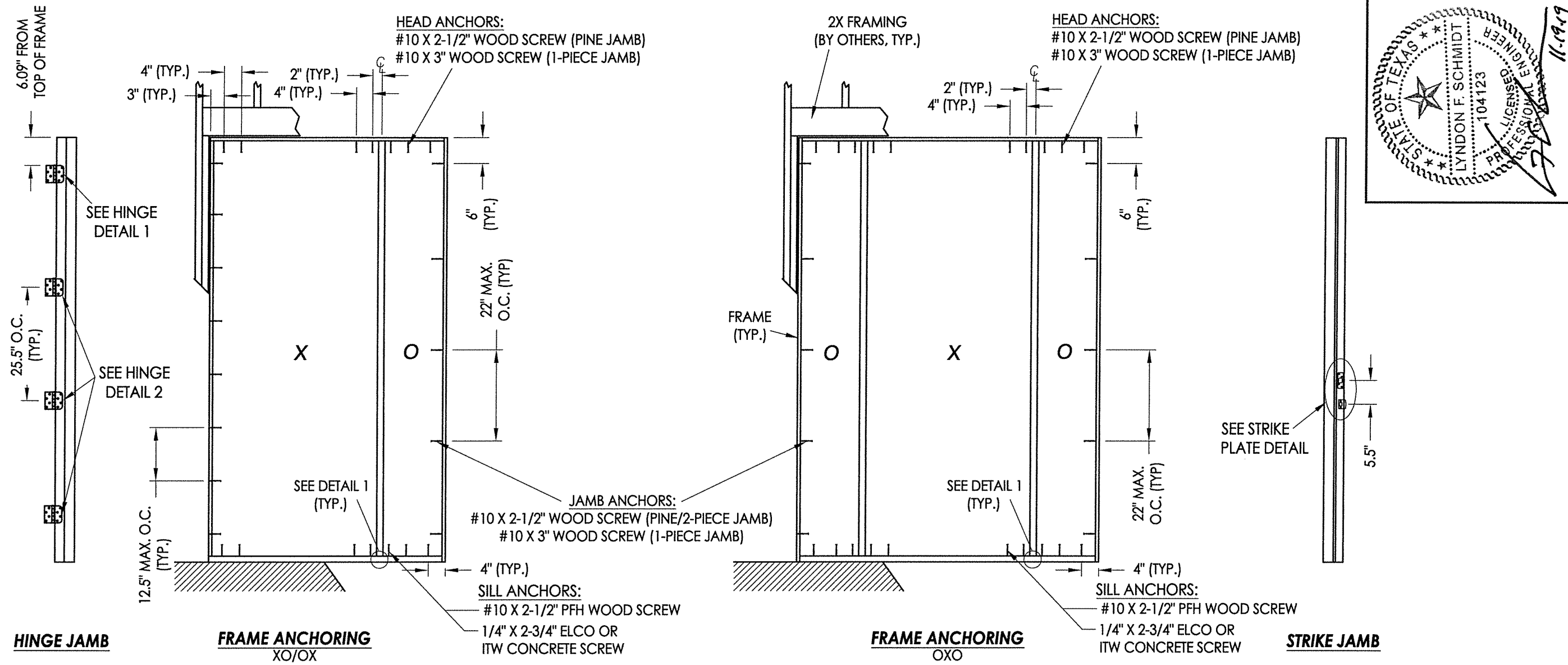
Documents Prepared By: Lyndon F. Schmidt, P.E.  
TEXAS P.E. #104123

R.W. BUILDING CONSULTANTS, INC.  
P.O. Box 230 Valrico FL 33595  
Phone No.: 813.659.9197  
TEXAS BOARD OF PROFESSIONAL ENGINEERS  
CERTIFICATE OF REGISTRATION # F-11852

© 2016 R.W. BUILDING CONSULTANTS INC.



R:\Clients\Endura PERMANENT\B - Texas Dept of Ins\TDI - DR-956 Glazed Therma-Tru FG door OXO (LK, DB) 14 in SL (4757-4758)\C - Drawings\TX-4757.58.dwg, 7.4



Documents Prepared By: Lyndon F. Schmidt, P.E.  
TEXAS P.E. #104123

**RW** BUILDING CONSULTANTS, INC.  
P.O. Box 230 Vairico FL 33595  
Phone No.: 813.659.9197

TEXAS BOARD OF PROFESSIONAL ENGINEERS  
CERTIFICATE OF REGISTRATION # F-11852

**JAMB NOTES:**

THE PINE OR "FusionFrame" 1-PIECE JAMB MAY BE INSTALLED @ THE HEAD OR SIDE JAMB.  
THE FusionFrame" 2-PIECE JAMB MAY BE INSTALLED @ THE SIDE JAMBS ONLY.

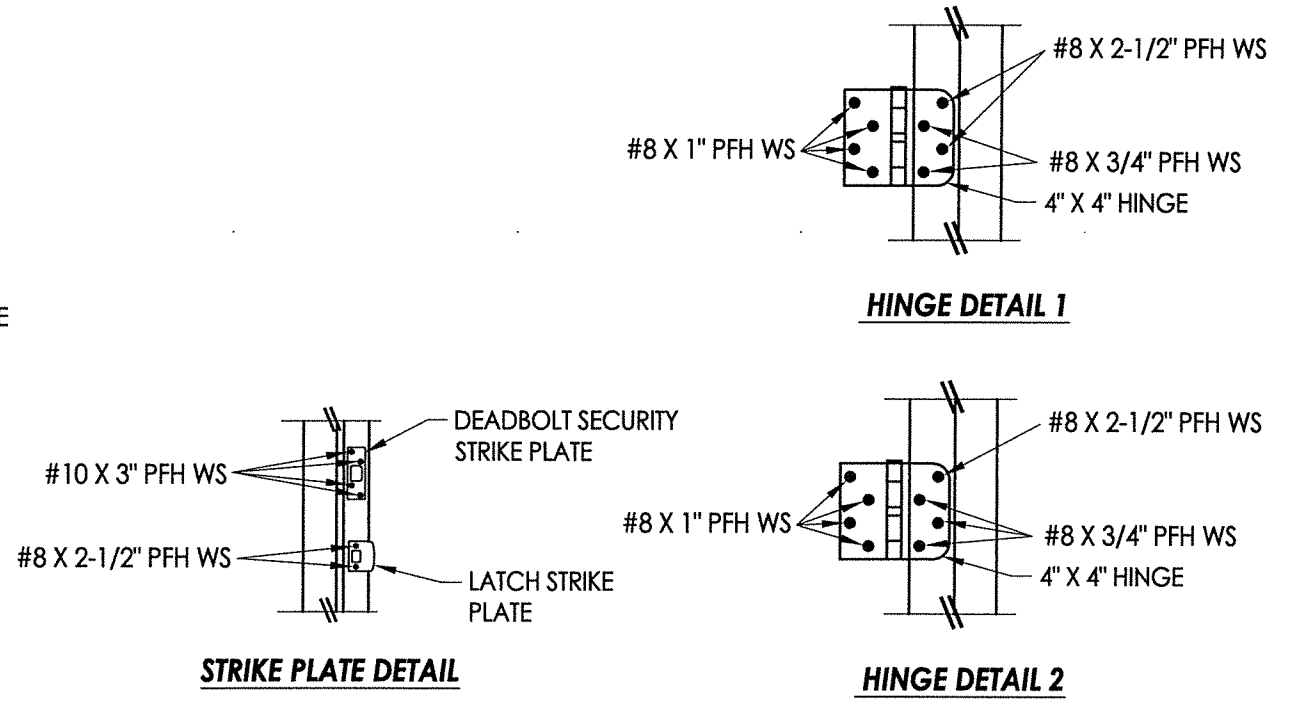
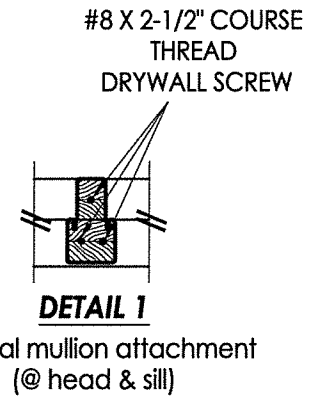
**INTEGRAL MULLION NOTES:**

THE FATBOY PINE MULLION, "FusionFrame" MULLION, OR THE "FusionFrame" BACK-TO-BACK JAMB (1-PIECE OR 2-PIECE) MAY ALL BE USED AS THE INTEGRAL MULLION.

**CONCRETE ANCHOR NOTES:**

- Concrete anchor locations at the corners may be adjusted to maintain the min. edge distance to mortar joints.
- Concrete anchor locations noted as "MAX. ON CENTER" must be adjusted to maintain the min. edge distance to mortar joints, additional concrete anchors may be required to ensure the "MAX. ON CENTER" dimension are not exceeded.
- Concrete anchor table:

ANCHOR TYPE	ANCHOR SIZE	MIN. EMBEDMENT	MIN. CLEARANCE TO MASONRY EDGE	MIN. CLEARANCE TO ADJACENT ANCHOR
ITW TAPCON®	1/4"	1-3/4"	1-1/2"	4"
ELCO ULTRACON®	1/4"	1-3/4"	1"	4"



PRODUCT:	ENDURA	
PART OR ASSEMBLY:	FRAME ANCHORING	
NO.	DATE	BY
1	11/19/19	LFS
ADD "FusionFrame" OPTION & UPDATE TO 2018 IBC/IRC CODE		
REVISIONS		
DATE:	12/05/17	
SCALE:	N.T.S.	
DWG. BY:	JK	
CHK. BY:	LFS	
DRAWING NO.:	TX-4758	
SHEET	7 OF 7	