

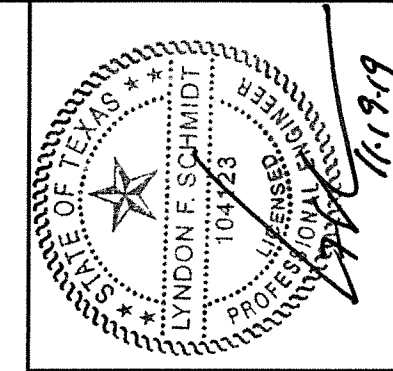
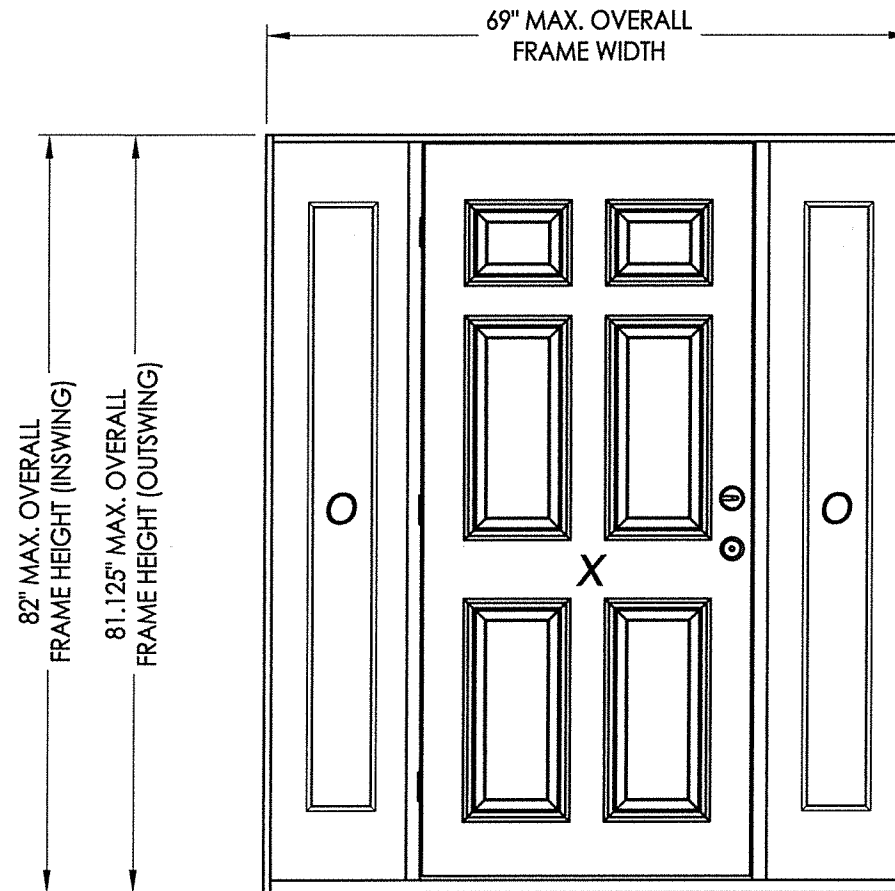
Opaque Fiberglass Single Door w/ Sidelites

CONTINUOUS HEAD & SILL FRAME SYSTEM
IN SWING / OUT SWING
"NON-IMPACT"

EVALUATED FOR USE IN THE STATE OF TEXAS

The Fiberglass Door system described herein complies with the 2018 International Residential Code (IRC), Sections R301 & R609 and the 2018 International Building Code (IBC), Sections 1404.13, 1609, 1709.5, 2403 and 2404 subject to the following conditions:

1. Anchors shall be as listed and spaced as shown in the details. Anchor embedment to base material shall be beyond wall dressing or stucco.
2. When used in areas requiring wind-borne debris protection this product is required to be protected with an impact resistant covering that complies with Section R301.2.1.2 of the IRC and Section 1609.2 of the IBC.
3. Allowable design pressure requirements must be equal to or less than the design pressure rating shown in the design pressure chart, sheet 1 of this drawing.
4. Conditions not covered by this drawing are subject to further engineering analysis.



Documents Prepared By: Lyndon F. Schmidt, P.E.
TEXAS P.E. #104123

RW BUILDING CONSULTANTS, INC.
P.O. Box 230 Valrico FL 33595
Phone No.: 813.659.9197
TEXAS BOARD OF PROFESSIONAL ENGINEERS
CERTIFICATE OF REGISTRATION # F-11852

PRODUCT: ENDURA
PART OR ASSEMBLY: TYPICAL ELEVATION, DESIGN PRESSURES & GENERAL NOTES

TABLE OF CONTENTS	
SHEET #	DESCRIPTION
1	Typical elevations, design pressures & general notes
2	Door panel details
3	Slidelite panel details
4	Horizontal cross sections
5	Vertical cross sections
6	Vertical cross sections
7	Frame anchoring

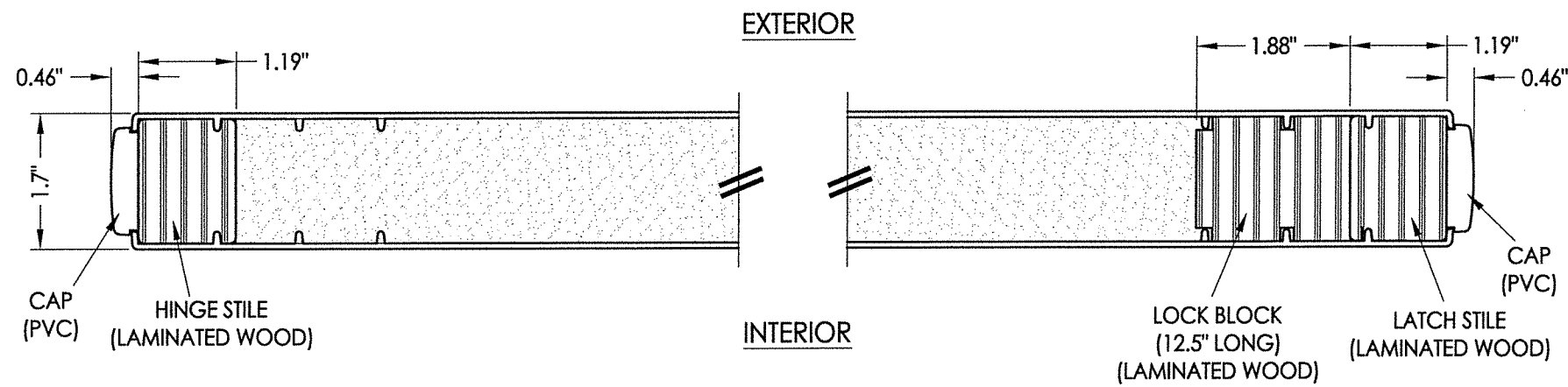
MODEL	DESIGN PRESSURE (PSF) w/ PINE FRAME & FATBOY PINE MULLIONS		DESIGN PRESSURE (PSF) w/ "FusionFrame" FRAME & MULLIONS	
	POSITIVE	NEGATIVE	POSITIVE	NEGATIVE
IN SWING	+75.0	-80.0	+50.0	-50.0
OUT SWING	+65.0	-65.0	+50.0	-50.0

SEE SHEET 6 FOR THRESHOLD DESIGN PRESSURE LIMITATIONS

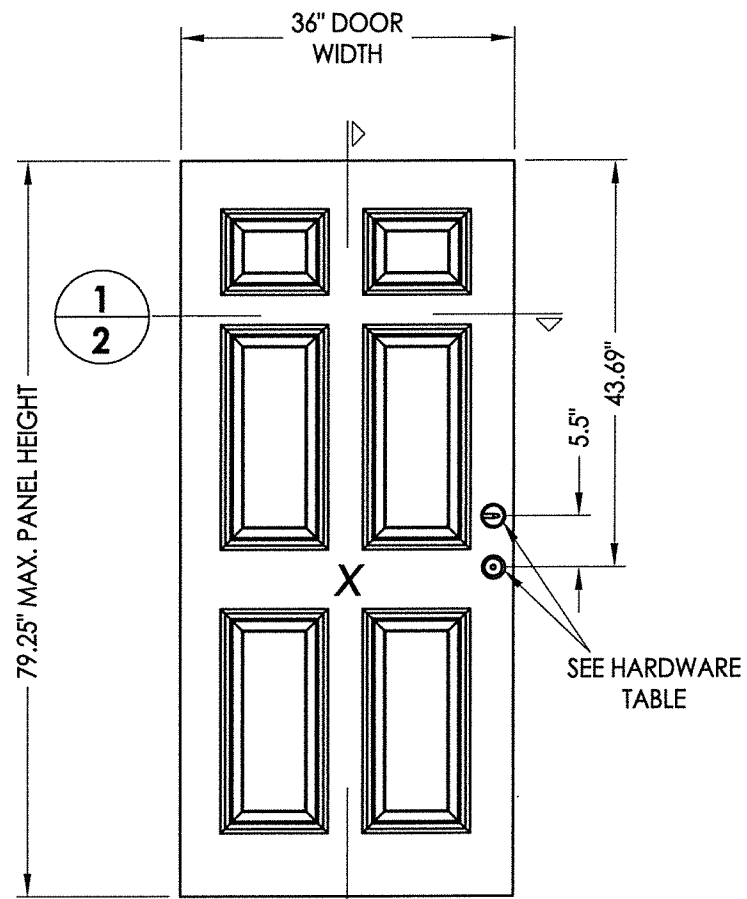
NO.	DATE	REVISIONS	BY
1	11/19/19	ADD "FusionFrame" OPTION & UPDATE TO 2018 IBC/IRC CODE	LFS

DATE: 12/04/17
SCALE: N.T.S.
DWG. BY: JK
CHK. BY: LFS
DRAWING NO.: TX-4755
SHEET 1 OF 7

R:\Clients\Endura PERMANENT\B - Texas Dept of Ins\TDI - DR-955 Opaque Therma-Tru FG door OXO (LK, DB) (4755-4756)\C - Drawings\TX-4755.56.dwg, 2.3

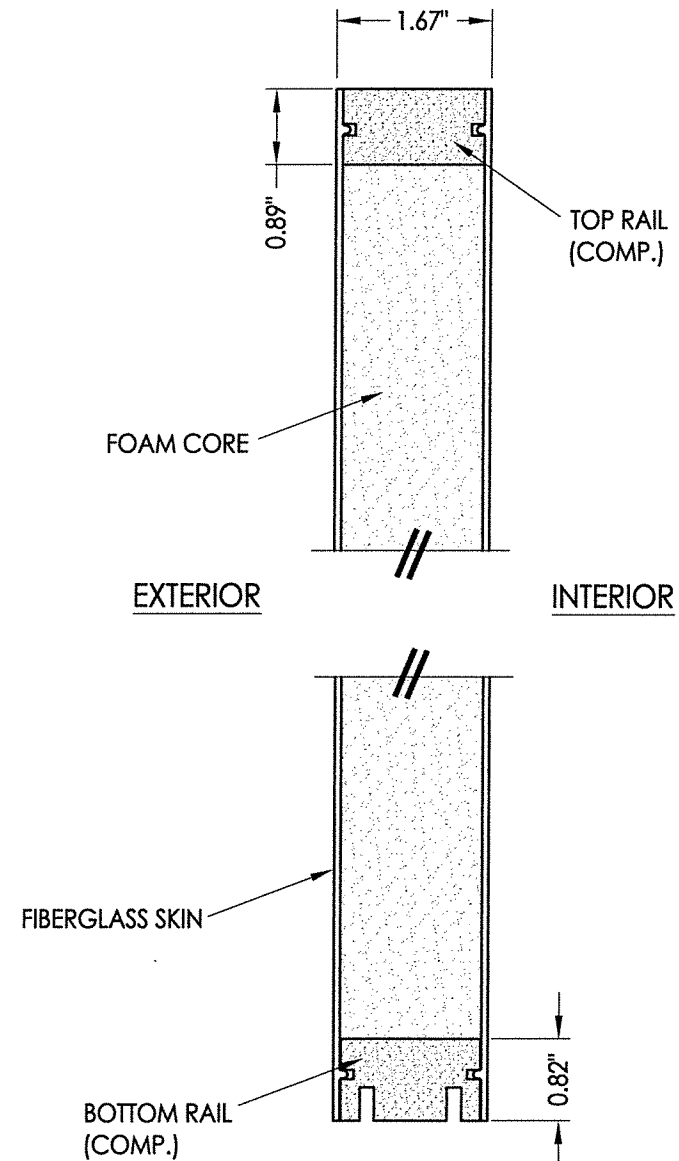


1
2 HORIZONTAL CROSS SECTION

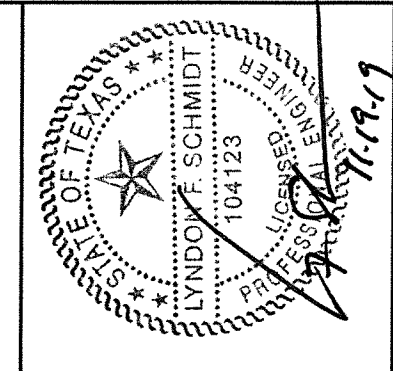


2
2 DOOR PANEL
Therma-Tru Fiberglass

HARDWARE TABLE	
MANUFACTURER	MODEL
KWIKSET	KNOB: SIGNATURE SERIES DEADBOLT: SIGNATURE SERIES (980)



2
2 VERTICAL CROSS SECTION



Documents Prepared By: Lyndon F. Schmidt, P.E.
TEXAS P.E. #104123

RW BUILDING CONSULTANTS, INC.
P.O. Box 230 Valrico FL 33595
Phone No.: 813.659.9197

TEXAS BOARD OF PROFESSIONAL ENGINEERS
CERTIFICATE OF REGISTRATION # F-11852

PRODUCT: ENDURA

PART OR ASSEMBLY: DOOR PANEL DETAILS & GLAZING DETAIL

NO.	DATE	REVISIONS
1	11/19/19	ADD "FusionFrame" OPTION & UPDATE TO 2018 IBC/IRC CODE

DATE: 12/04/17

SCALE: N.T.S.

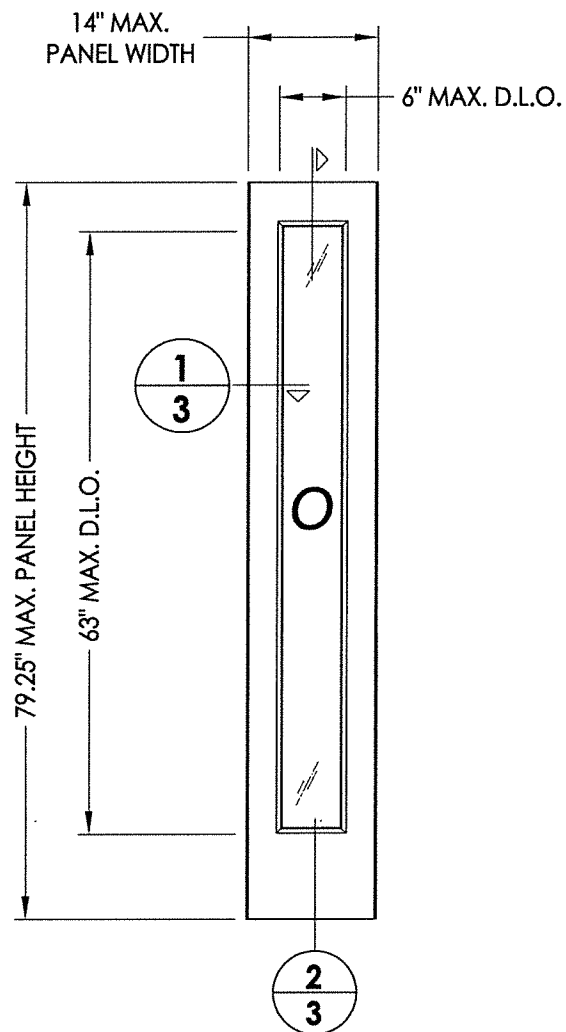
DWG. BY: JK

CHK. BY: LFS

DRAWING NO.: TX-4755

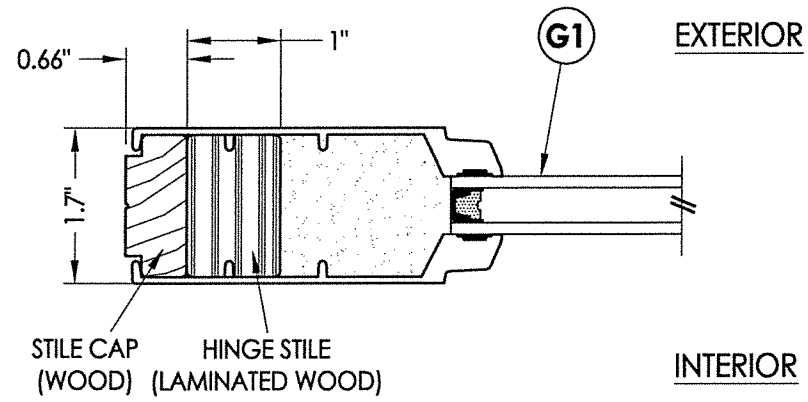
SHEET 2 OF 7

R:\Clients\Endura PERMANENT\B - Texas Dept of Ins\TDI - DR-955 Opaque Therma-Tru FG door OXO (LK, DB) (4755-4756)\C - Drawings\TX-4755.56.dwg, 3.3

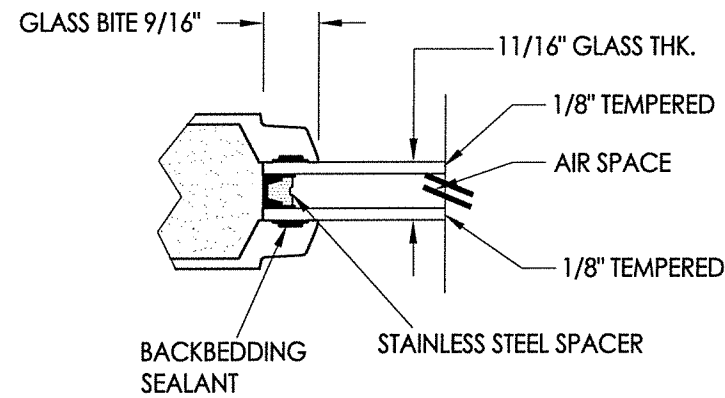


50 SIDELITE PANEL
Therma-Tru Fiberglass

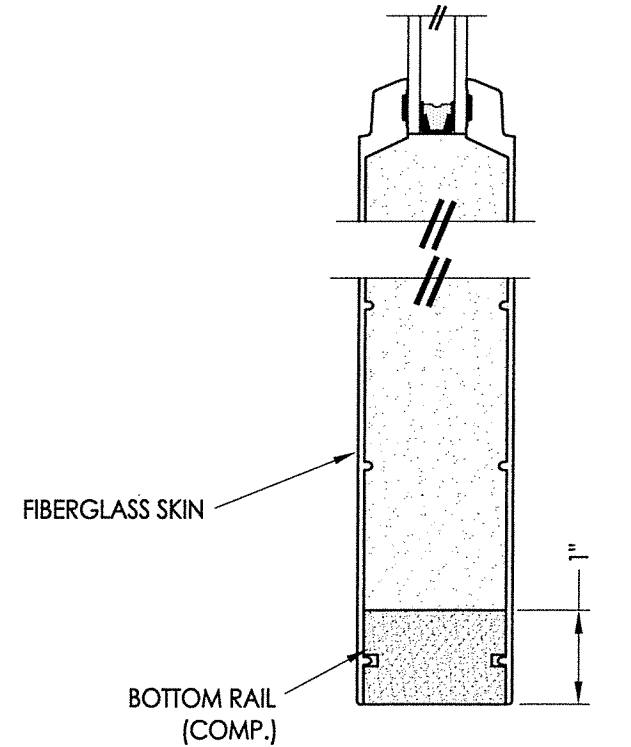
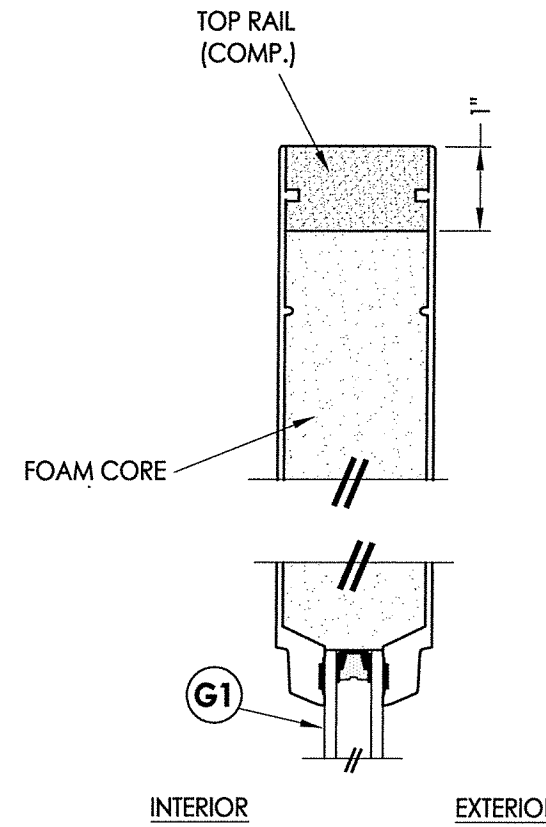
SIDELITE SKIN: FIBERGLASS (0.075" MIN. THICKNESS)
CORE MATERIAL: POLYURETHANE FOAM



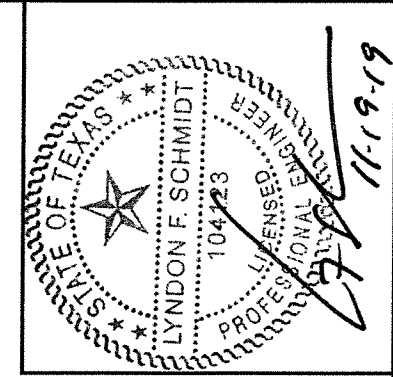
1 HORIZONTAL CROSS SECTION



G1 GLAZING DETAIL
Flush Glazed



2 VERTICAL CROSS SECTION



Documents Prepared By: Lyndon F. Schmidt, P.E.
TEXAS P.E. #104123

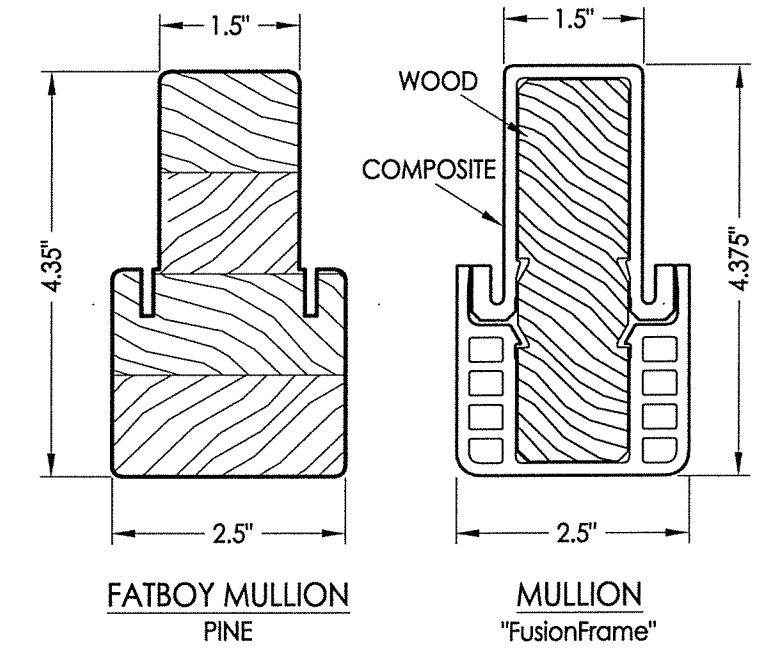
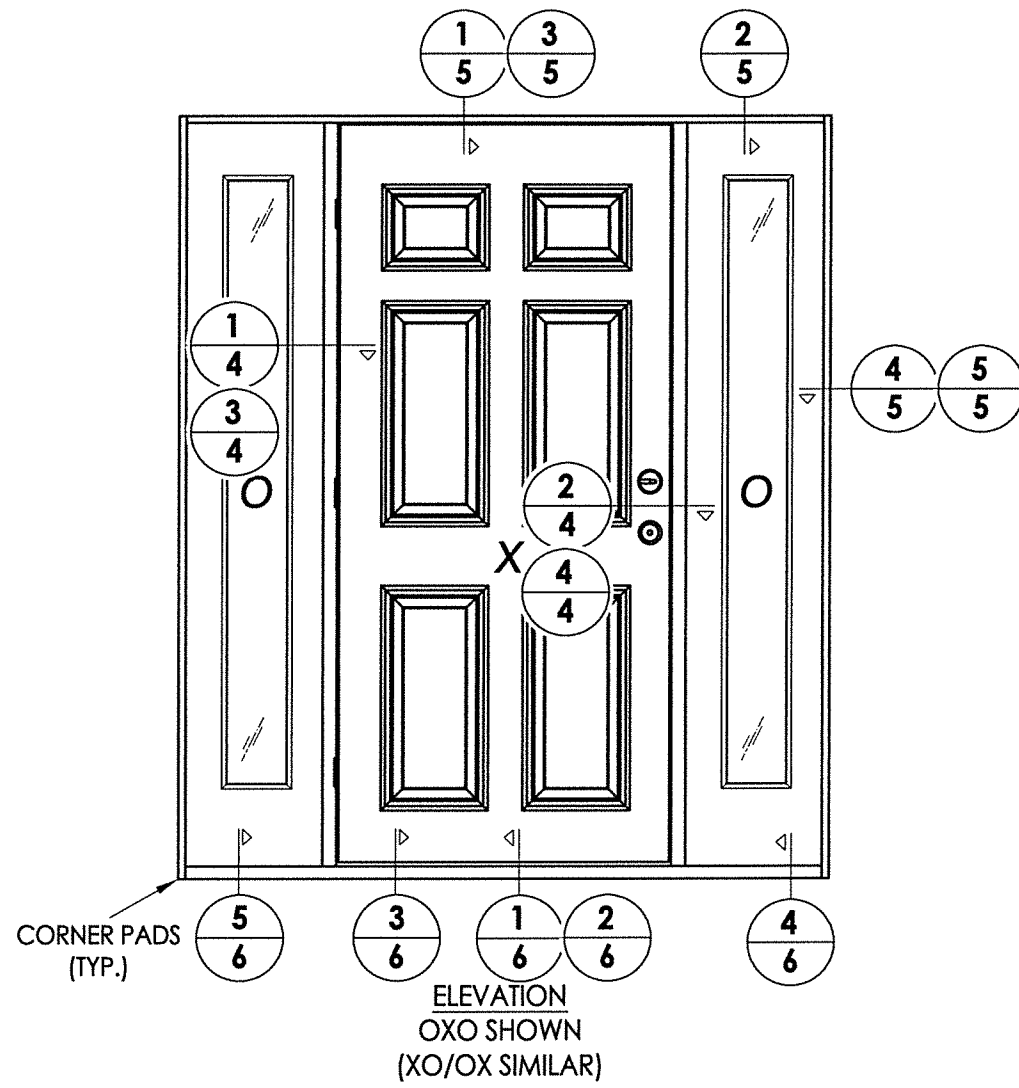
RW BUILDING CONSULTANTS, INC.
P.O. Box 230 Valrico FL 33595
Phone No.: 813.659.9197
TEXAS BOARD OF PROFESSIONAL ENGINEERS
CERTIFICATE OF REGISTRATION # F-11852

PRODUCT: ENDURA
PART OR ASSEMBLY: SIDELITE PANEL DETAILS (LIP LITE INSERT GLAZING)

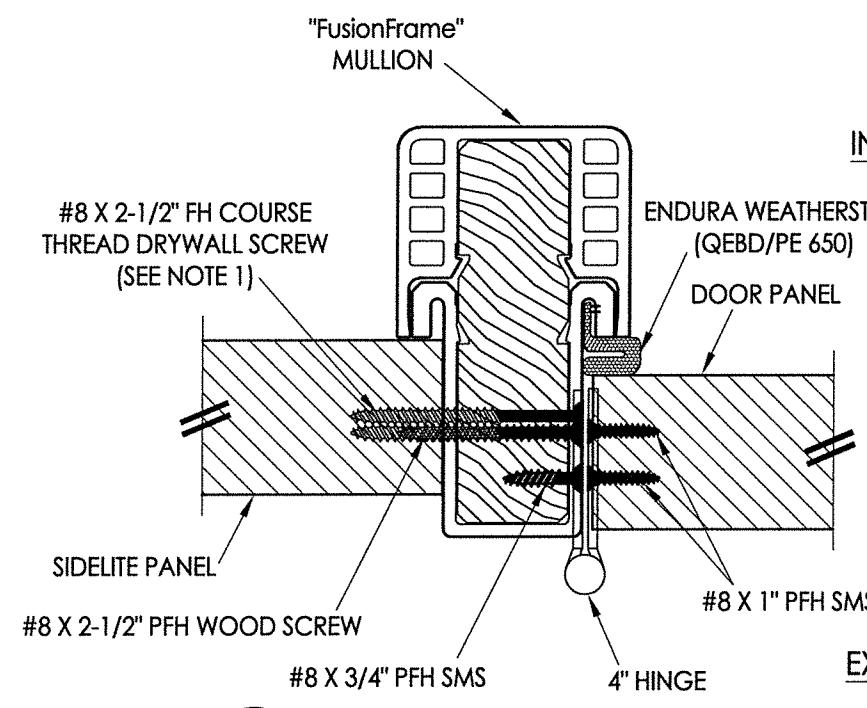
NO.	DATE	REVISIONS	BY
1	11/19/19	ADD "FusionFrame" OPTION & UPDATE TO 2018 IBC/IRC CODE	LFS

DATE: 12/04/17
SCALE: N.T.S.
DWG. BY: JK
CHK. BY: LFS
DRAWING NO.: TX-4755
SHEET 3 OF 7

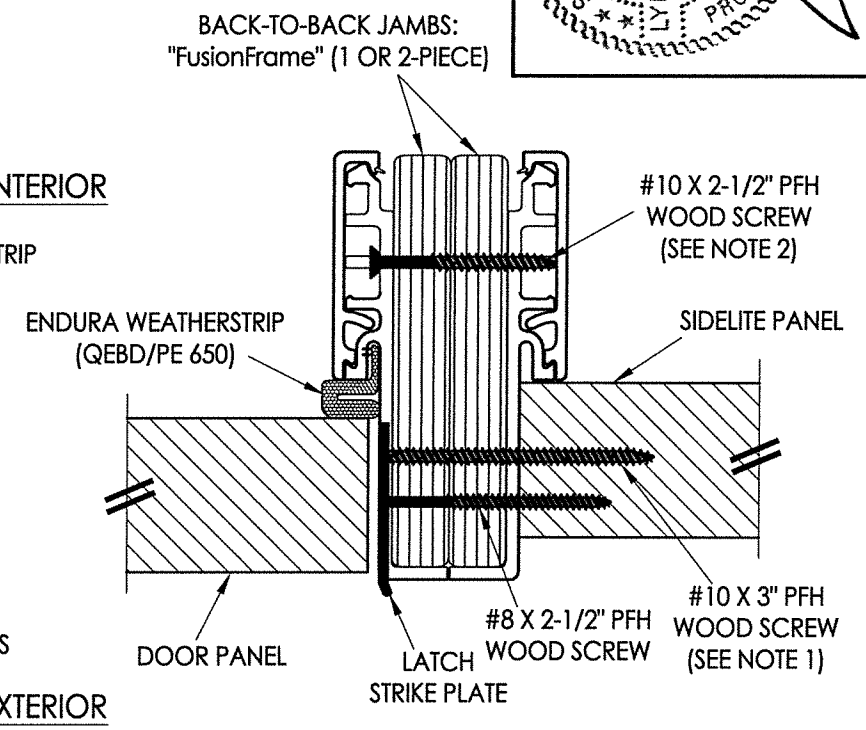
R:\Clients\Endura PERMANENT\B - Texas Dept of Ins\TDI - DR-955 Opaque Thermo-Tru FG door OXO (L,K, DB) (4755-4756)\C - Drawings\TX-4755.56.dwg, 4.3



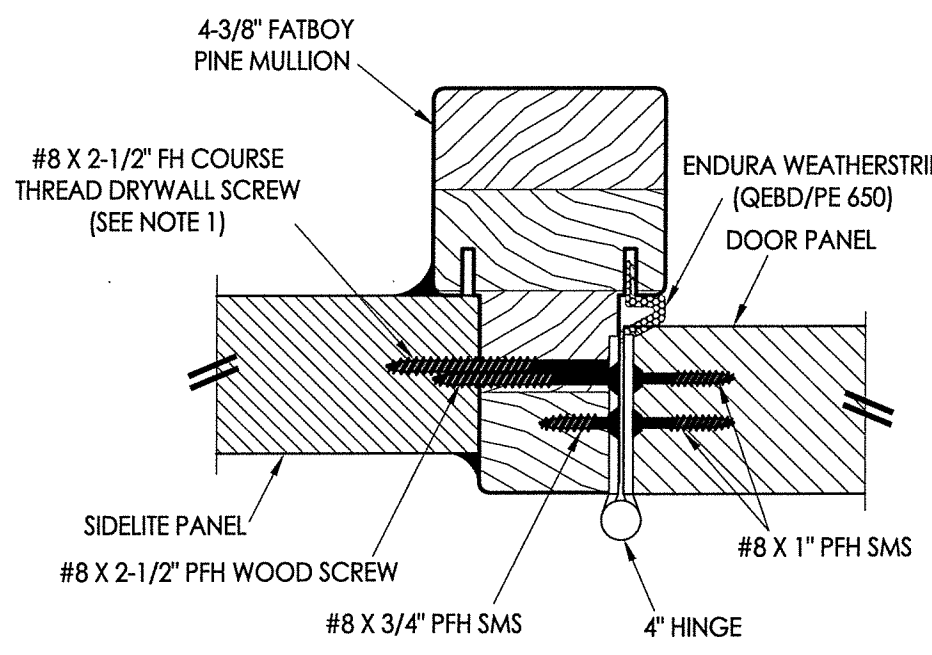
NOTES:
 1. Spacing for sidelite screws: 6.5", 38.5" and 69" from head to sill (3 total).
 2. Spacing for mullion screws: 6" from each end plus 3 more equally spaced (5 total).



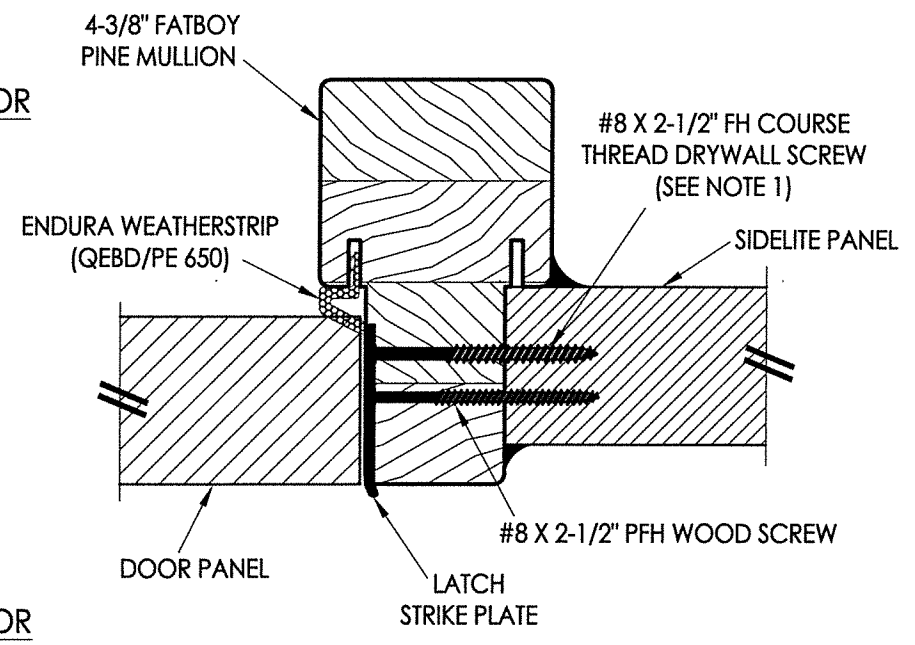
3 HORIZONTAL CROSS SECTION
 4 Outswing shown - Inswing also approved



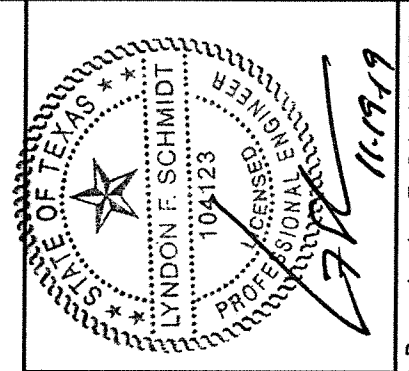
4 HORIZONTAL CROSS SECTION
 4 Outswing shown - Inswing also approved



1 HORIZONTAL CROSS SECTION
 4 Outswing shown - Inswing also approved



2 HORIZONTAL CROSS SECTION
 4 Outswing shown - Inswing also approved



Documents Prepared By: Lyndon F. Schmidt, P.E.
 TEXAS P.E. #104123

RW BUILDING CONSULTANTS, INC.
 P.O. Box 230 Valrico FL 33595
 Phone No.: 813.659.9197

TEXAS BOARD OF PROFESSIONAL ENGINEERS
 CERTIFICATE OF REGISTRATION # F-11852

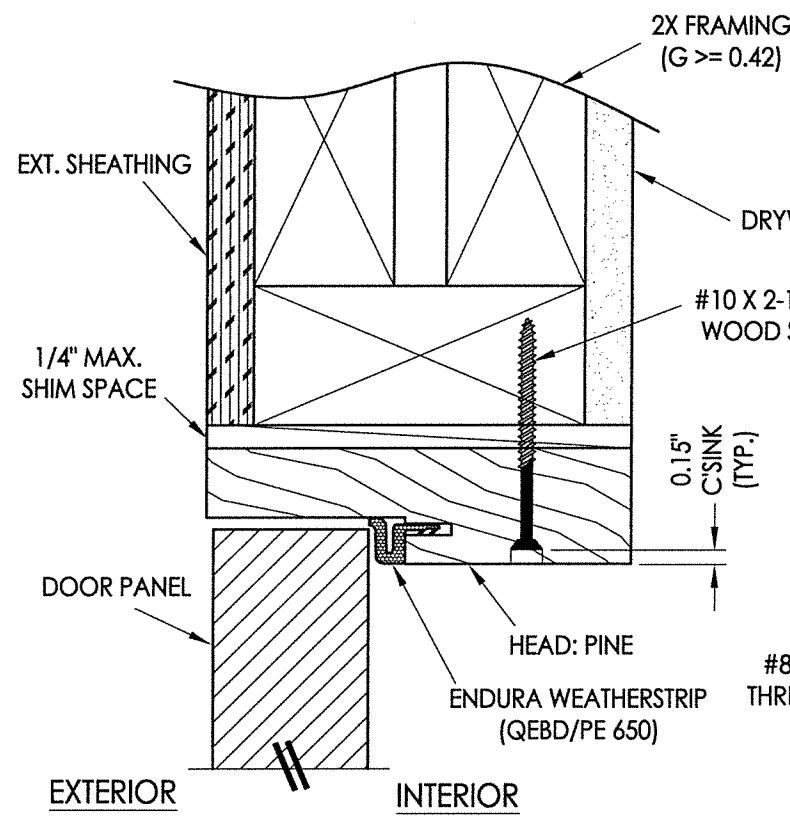
PRODUCT:	ENDURA
PART OR ASSEMBLY:	FIBERGLASS DOOR
BY:	LFS
DATE:	11/19/19
REVISIONS:	UPDATE TO 2018 IBC/IRC CODE

NO.	DATE	BY
1	11/19/19	LFS
ADD "FusionFrame" OPTION & UPDATE TO 2018 IBC/IRC CODE		

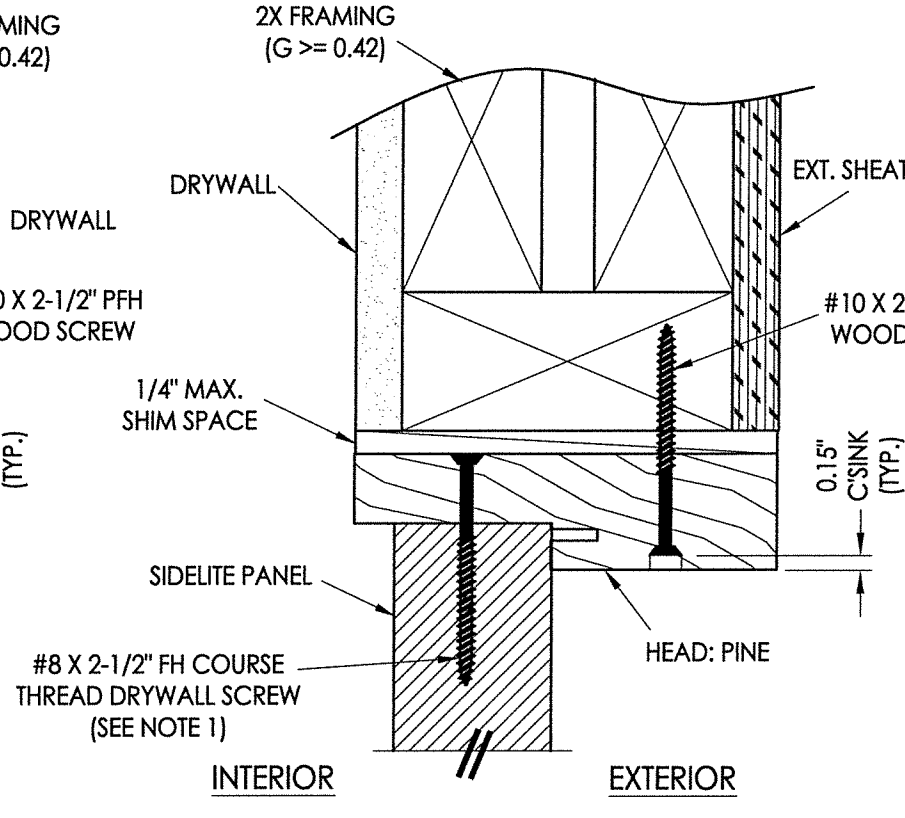
DATE:	12/04/17
SCALE:	N.T.S.
DWG. BY:	JK
CHK. BY:	LFS
DRAWING NO.:	TX-4755
SHEET	4 OF 7

© 2016 R.W. BUILDING CONSULTANTS INC.

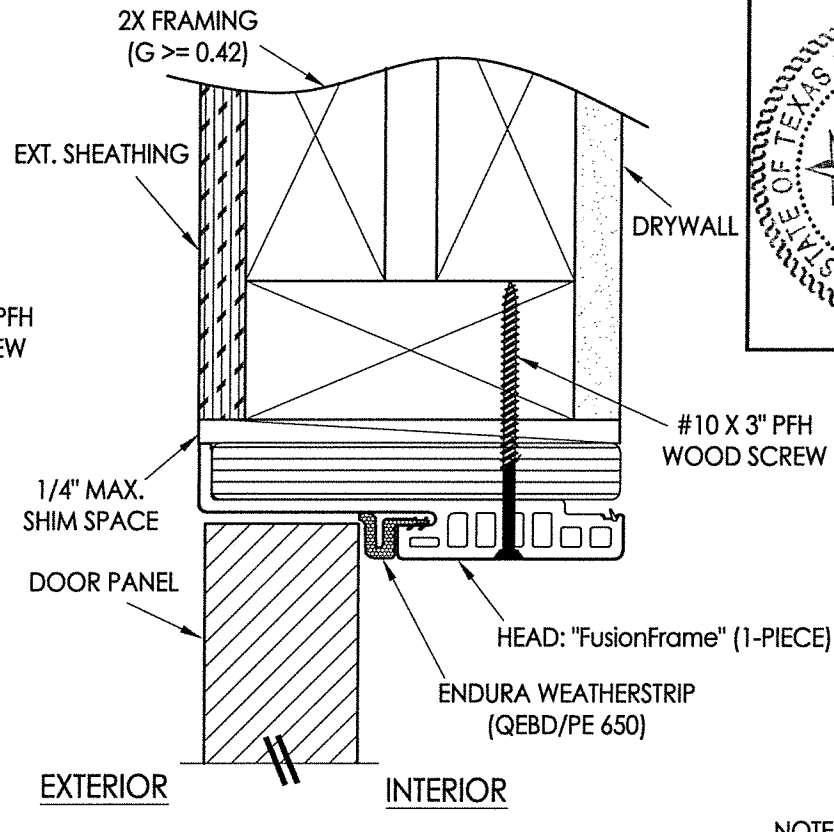
R:\Clients\Endura PERMANENT\B - Texas Dept of Ins\TDI - DR-955 Opaque Thermo-Tru FG door OXO (L.K. DB) (4755-4756)C - Drawings\TX-4755.56.dwg, 5.3



1 VERTICAL CROSS SECTION
5 Outswing shown - inswing also approved

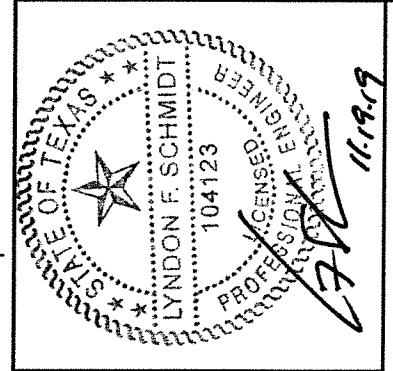


2 VERTICAL CROSS SECTION
5 Inswing shown - Outswing also approved



3 VERTICAL CROSS SECTION
5 Outswing shown - inswing also approved

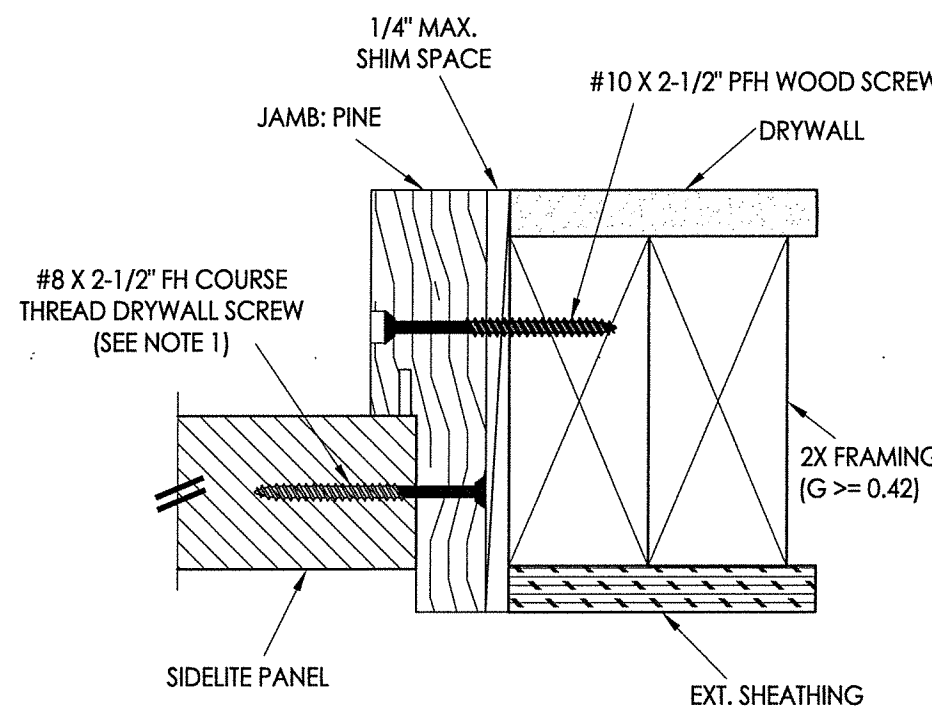
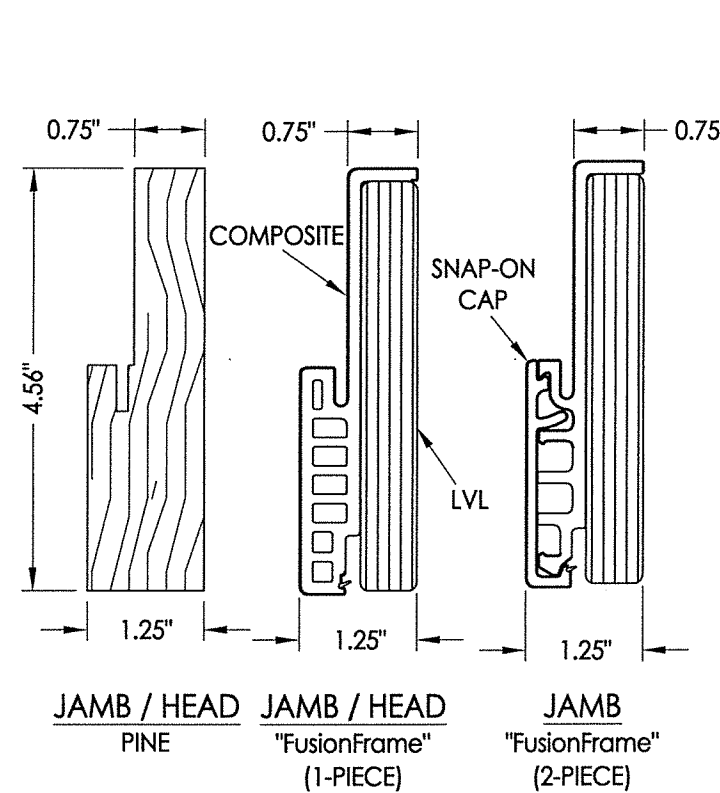
NOTE:
 1. Spacing for sidelite screws:
 4" from each end (2 total).



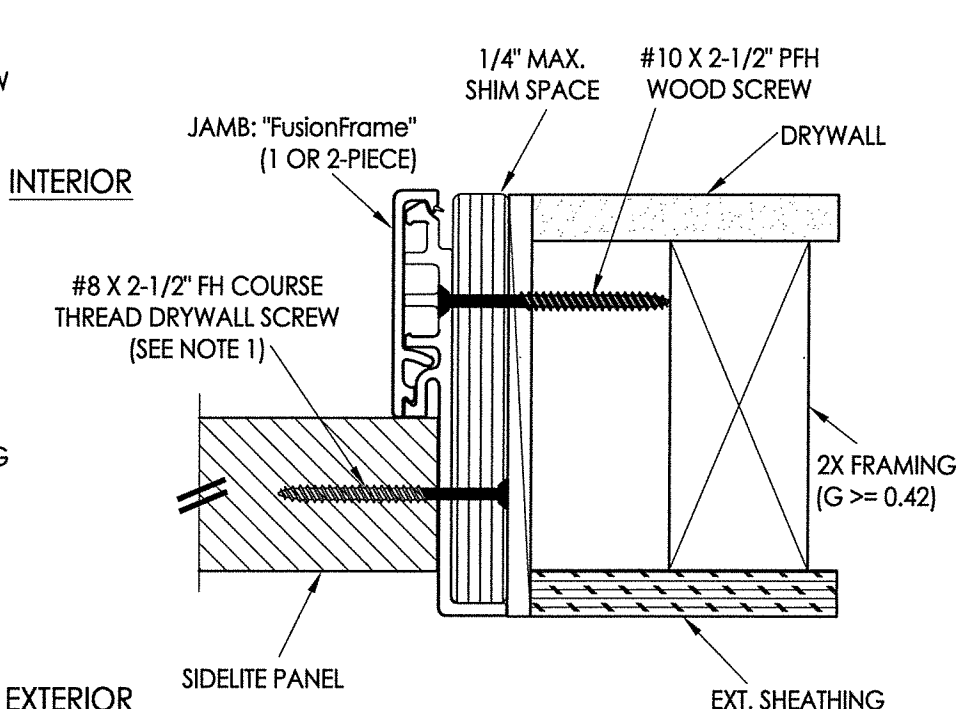
Documents Prepared By: Lyndon F. Schmidt, P.E.
 TEXAS P.E. #104123

RW BUILDING CONSULTANTS, INC.
 P.O. Box 230 Valrico FL 33595
 Phone No.: 813.659.9197

TEXAS BOARD OF PROFESSIONAL ENGINEERS
 CERTIFICATE OF REGISTRATION # F-11852

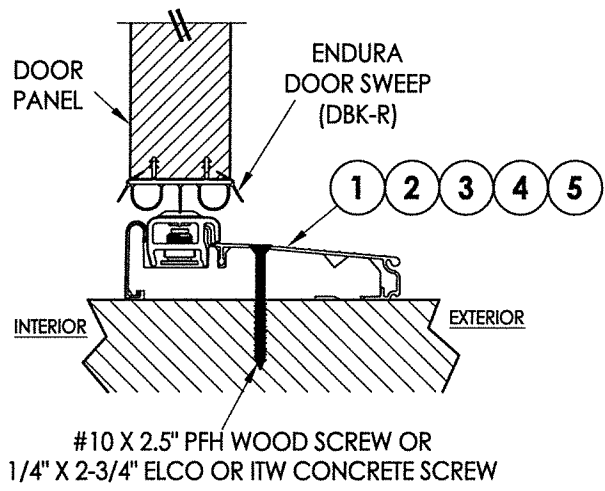


4 HORIZONTAL CROSS SECTION
5 Outswing shown - Inswing also approved

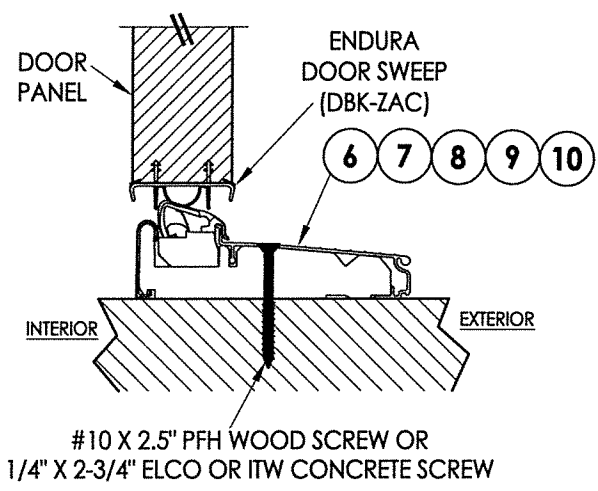


5 HORIZONTAL CROSS SECTION
5 Outswing shown - Inswing also approved

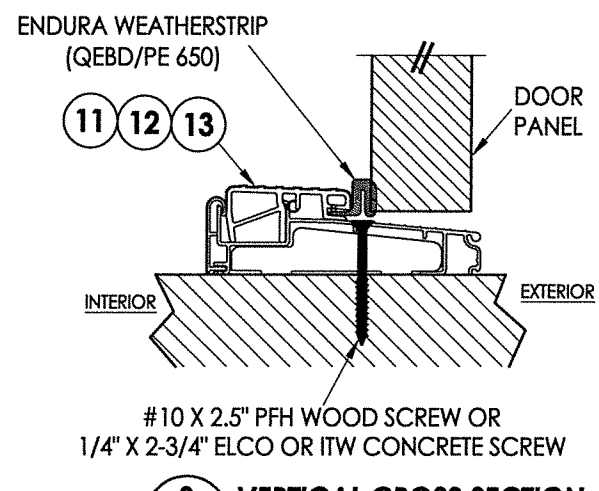
PRODUCT:	ENDURA	
PART OR ASSEMBLY:	VERTICAL CROSS SECTIONS	
NO.	DATE	BY
1	11/19/19	LFS
ADD "FusionFrame" OPTION & UPDATE TO 2018 IBC/IRC CODE		
REVISIONS		
DATE:	12/04/17	
SCALE:	N.T.S.	
DWG. BY:	JK	
CHK. BY:	LFS	
DRAWING NO.:	TX-4755	
SHEET	5 OF 7	



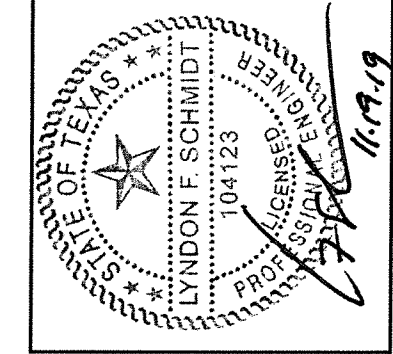
1 VERTICAL CROSS SECTION
6 Inswing Adjustable Threshold



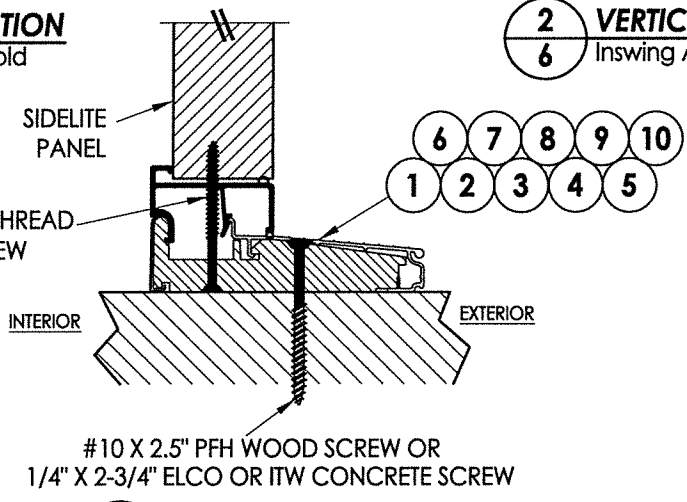
2 VERTICAL CROSS SECTION
6 Inswing Articulating Threshold



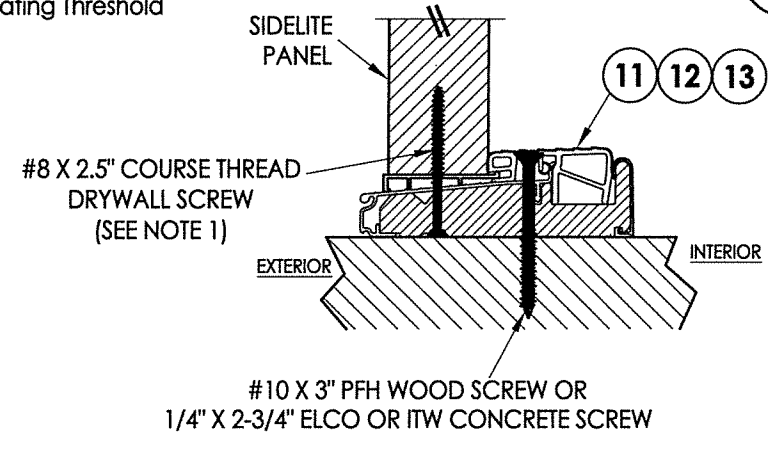
3 VERTICAL CROSS SECTION
6 Outswing Bump Threshold



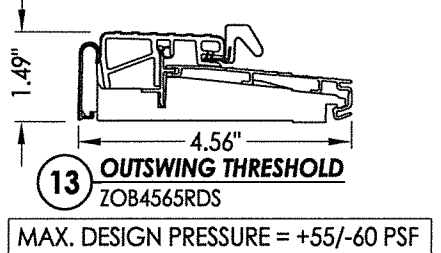
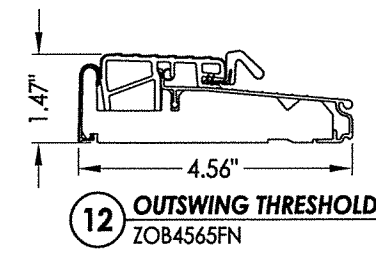
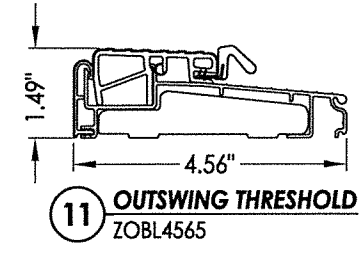
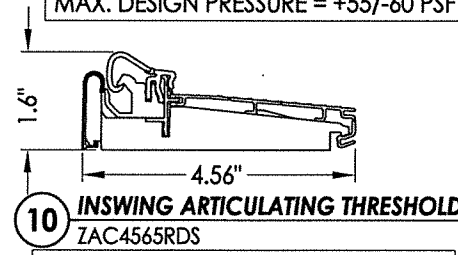
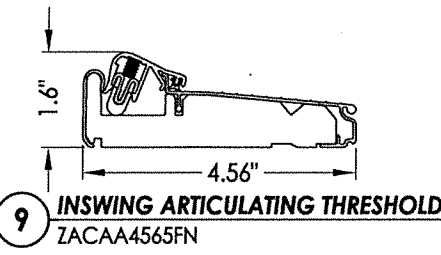
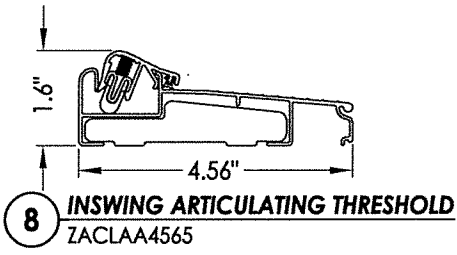
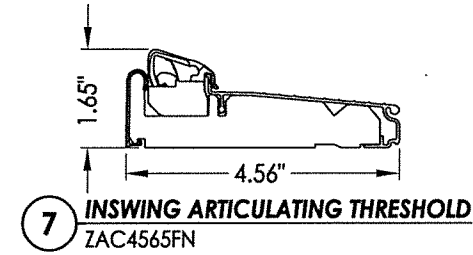
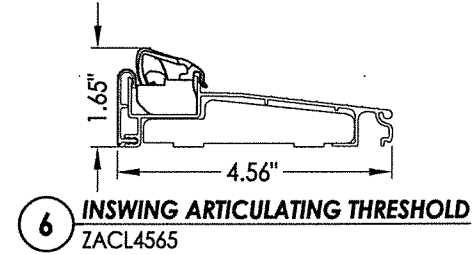
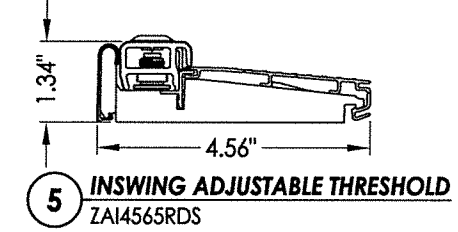
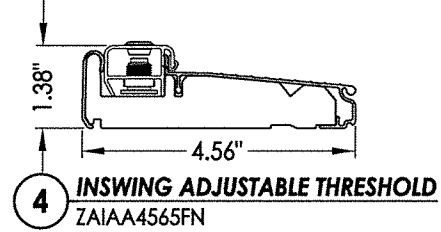
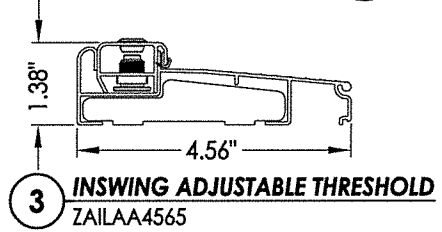
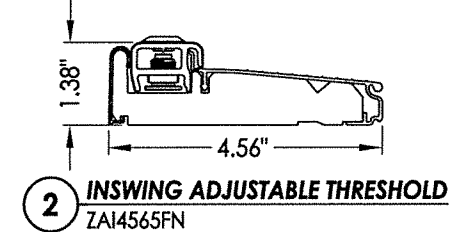
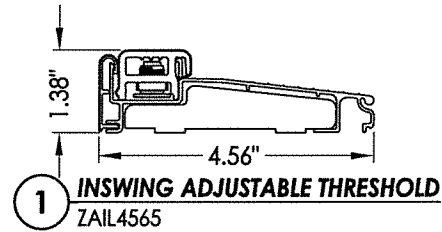
NOTE:
1. Spacing for sidelite screws:
6\"/>



4 VERTICAL CROSS SECTION
6 Inswing configuration

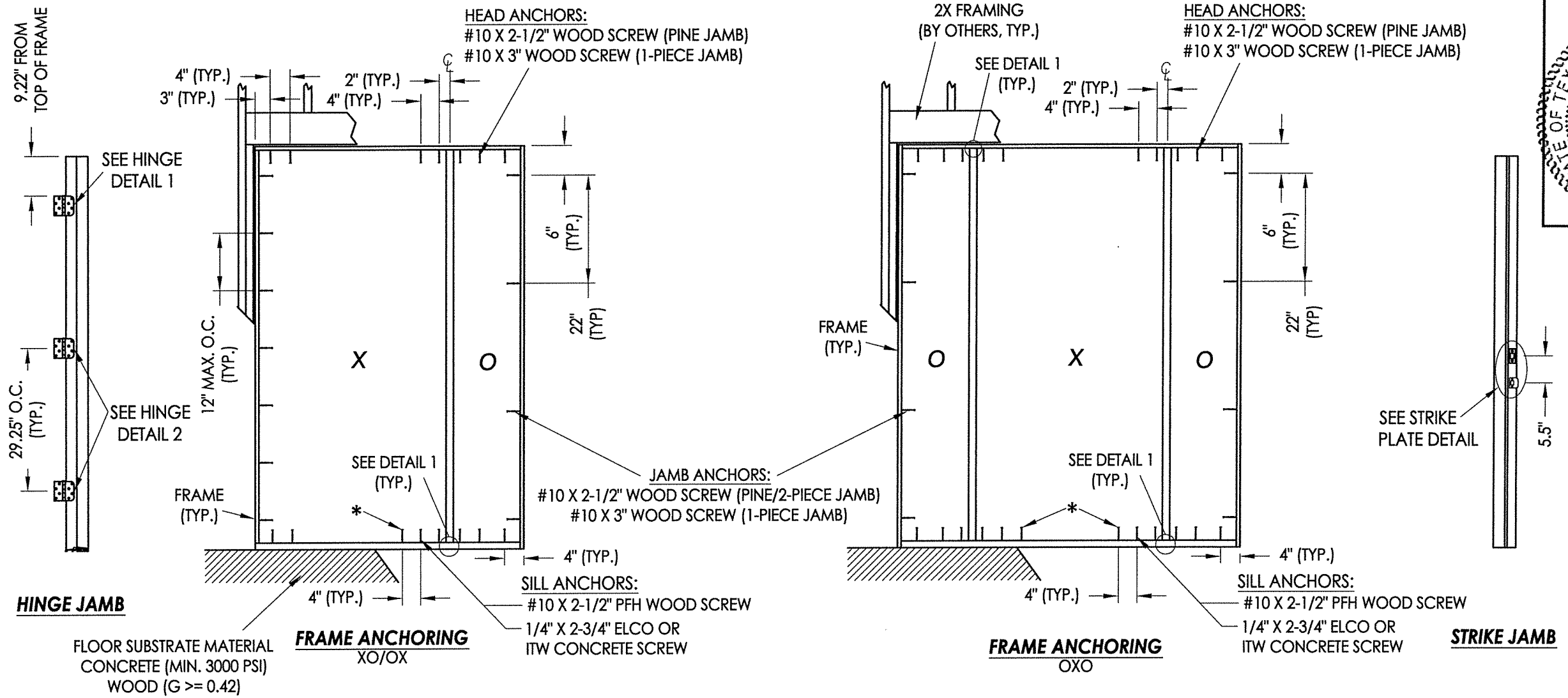


5 VERTICAL CROSS SECTION
6 Outswing configuration



Documents Prepared By: Lyndon F. Schmidt, P.E. TEXAS P.E. #104123		BUILDING CONSULTANTS, INC. P.O. Box 230 Valrico FL 33595 Phone No.: 813.659.9197	
PRODUCT: ENDURA FIBERGLASS DOOR		PART OR ASSEMBLY: VERTICAL CROSS SECTIONS	
NO.	DATE	BY	REVISIONS
1	11/19/19	LFS	ADD "FusionFrame" OPTION & UPDATE TO 2018 IBC/IRC CODE
DATE: 12/04/17		SCALE: N.T.S.	
DWG. BY: JK		CHK. BY: LFS	
DRAWING NO.: TX-4755		SHEET 6 OF 7	

R:\Clients\Endura PERMANENTVB - Texas Dept of Ins\TDI - DR-955 Opaque Therma-Tru FG door OXO (LK, DB) (4755-4756)\C - Drawings\TX-4755.56.dwg, 7.3



* NOTE: These additional anchors required for D.P. > 70 PSF only.

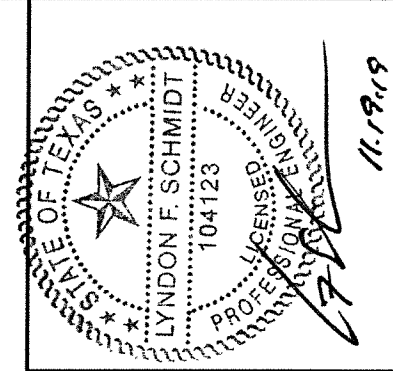
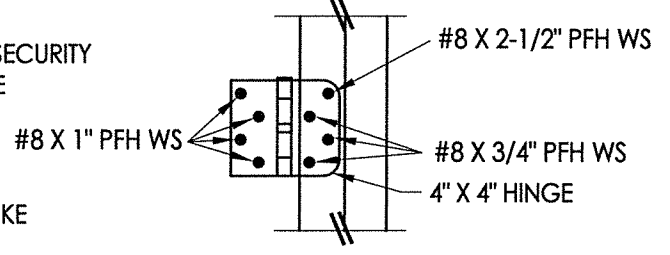
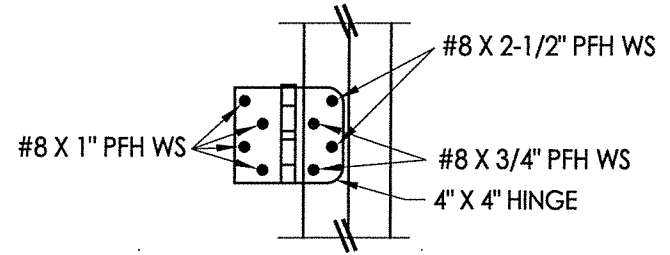
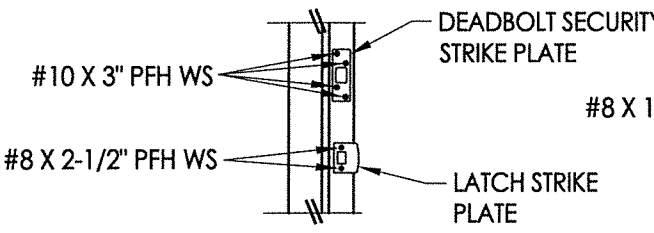
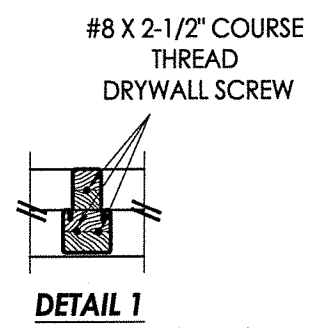
JAMB NOTES:
 THE PINE OR "FusionFrame" 1-PIECE JAMB MAY BE INSTALLED @ THE HEAD OR SIDE JAMB.
 THE FusionFrame" 2-PIECE JAMB MAY BE INSTALLED @ THE SIDE JAMBS ONLY.

INTEGRAL MULLION NOTES:
 THE FATBOY PINE MULLION, "FusionFrame" MULLION, OR THE "FusionFrame" BACK-TO-BACK JAMB (1-PIECE OR 2-PIECE) MAY ALL BE USED AS THE INTEGRAL MULLION.

CONCRETE ANCHOR NOTES:

- Concrete anchor locations at the corners may be adjusted to maintain the min. edge distance to mortar joints.
- Concrete anchor locations noted as "MAX. ON CENTER" must be adjusted to maintain the min. edge distance to mortar joints, additional concrete anchors may be required to ensure the "MAX. ON CENTER" dimension are not exceeded.
- Concrete anchor table:

ANCHOR TYPE	ANCHOR SIZE	MIN. EMBEDMENT	MIN. CLEARANCE TO MASONRY EDGE	MIN. CLEARANCE TO ADJACENT ANCHOR
ITW TAPCON®	1/4"	1-3/4"	1-1/2"	4"
ELCO ULTRACON®	1/4"	1-3/4"	1"	4"



Documents Prepared By: Lyndon F. Schmidt, P.E.
 TEXAS P.E. #104123

RW BUILDING CONSULTANTS, INC.
 P.O. Box 230 Vaicico FL 33595
 Phone No.: 813.659.9197

TEXAS BOARD OF PROFESSIONAL ENGINEERS
 CERTIFICATE OF REGISTRATION # F-11852

PRODUCT: ENDURA

PART OR ASSEMBLY: FRAME ANCHORING

NO.	DATE	BY	REVISIONS
1	11/19/19	LFS	ADD "FusionFrame" OPTION & UPDATE TO 2018 IBC/IRC CODE

DATE: 12/04/17
 SCALE: N.T.S.
 DWG. BY: JK
 CHK. BY: LFS
 DRAWING NO.: TX-4755
 SHEET 7 OF 7