



# Glazed Fiberglass Single Door w/ Sidelites

CONTINUOUS HEAD & SILL FRAME SYSTEM  
IN SWING / OUT SWING  
"NON-IMPACT"

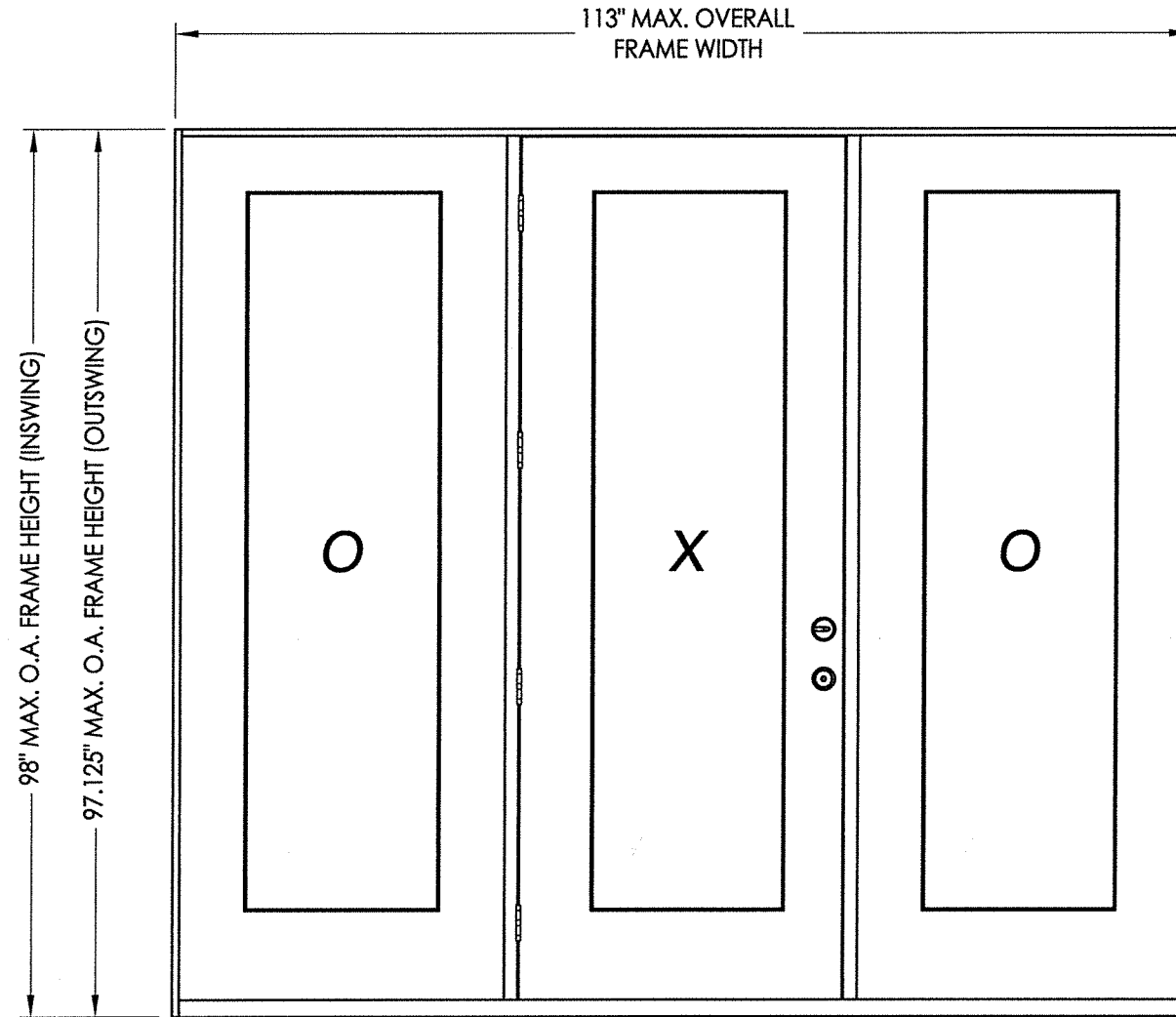
**EVALUATED FOR USE IN THE STATE OF TEXAS**

The Glazed Fiberglass Door system described herein complies with the 2018 International Residential Code (IRC), Sections R301 & R609 and the 2018 International Building Code (IBC), Sections 1404.13, 1609, 1709.5, 2403 and 2404 subject to the following conditions:

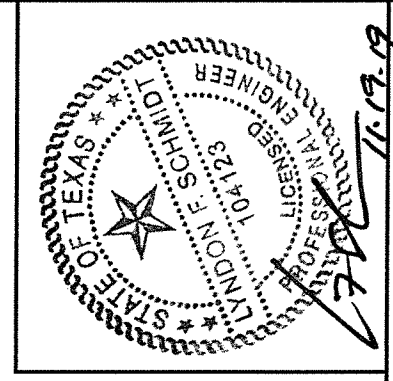
1. Anchors shall be as listed and spaced as shown in the details. Anchor embedment to base material shall be beyond wall dressing or stucco.
2. When used in areas requiring wind-borne debris protection this product is required to be protected with an impact resistant covering that complies with Section R301.2.1.2 of the IRC and Section 1609.2 of the IBC.
3. Allowable design pressure requirements must be equal to or less than the design pressure rating shown in the design pressure chart, sheet 1 of this drawing.
4. Conditions not covered by this drawing are subject to further engineering analysis.

**TABLE OF CONTENTS**

SHEET #	DESCRIPTION
1	Typical elevations, design pressures & general notes
2	Door panel details
3	Slidelite panel details
4	Horizontal cross sections
5	Vertical cross sections
6	Vertical cross sections
7	Frame anchoring



MODEL	DESIGN PRESSURE (PSF)	
	POSITIVE	NEGATIVE
IN SWING	+40.0	-45.0
OUT SWING	+40.0	-40.0



Documents Prepared By: Lyndon F. Schmidt, P.E.  
TEXAS P.E. #104123

**RW** BUILDING CONSULTANTS, INC.  
P.O. Box 230 Valrico FL 33595  
Phone No.: 813.659.9197

TEXAS BOARD OF PROFESSIONAL ENGINEERS  
CERTIFICATE OF REGISTRATION # F-11852

PRODUCT: ENDURA

PART OR ASSEMBLY: TYPICAL ELEVATION, DESIGN PRESSURES & GENERAL NOTES

NO.	DATE	REVISIONS
1	11/19/19	ADD "FusionFrame" OPTION & UPDATE TO 2018 IBC/IRC CODE

DATE: 12/07/17

SCALE: N.T.S.

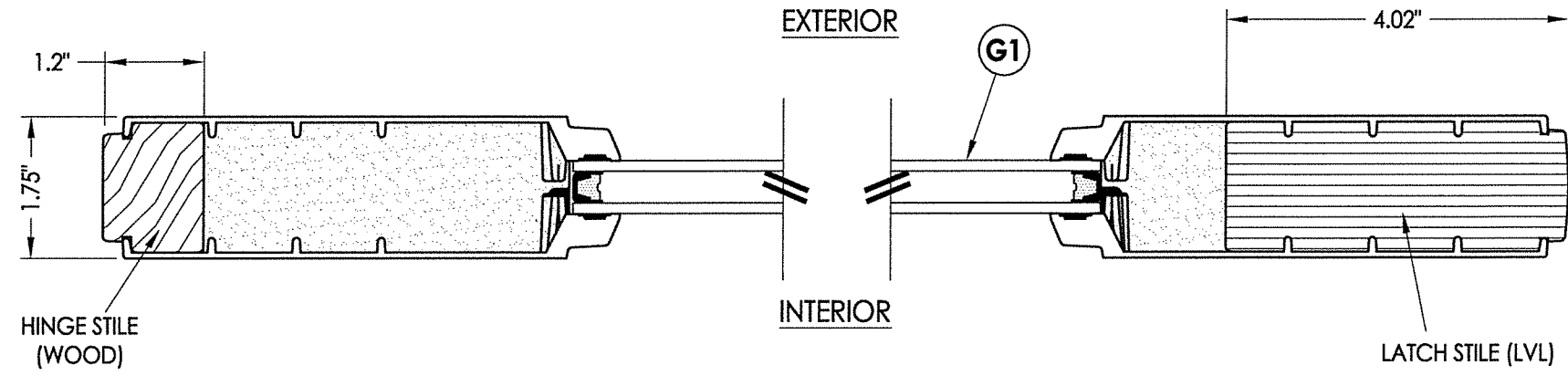
DWG. BY: JK

CHK. BY: LFS

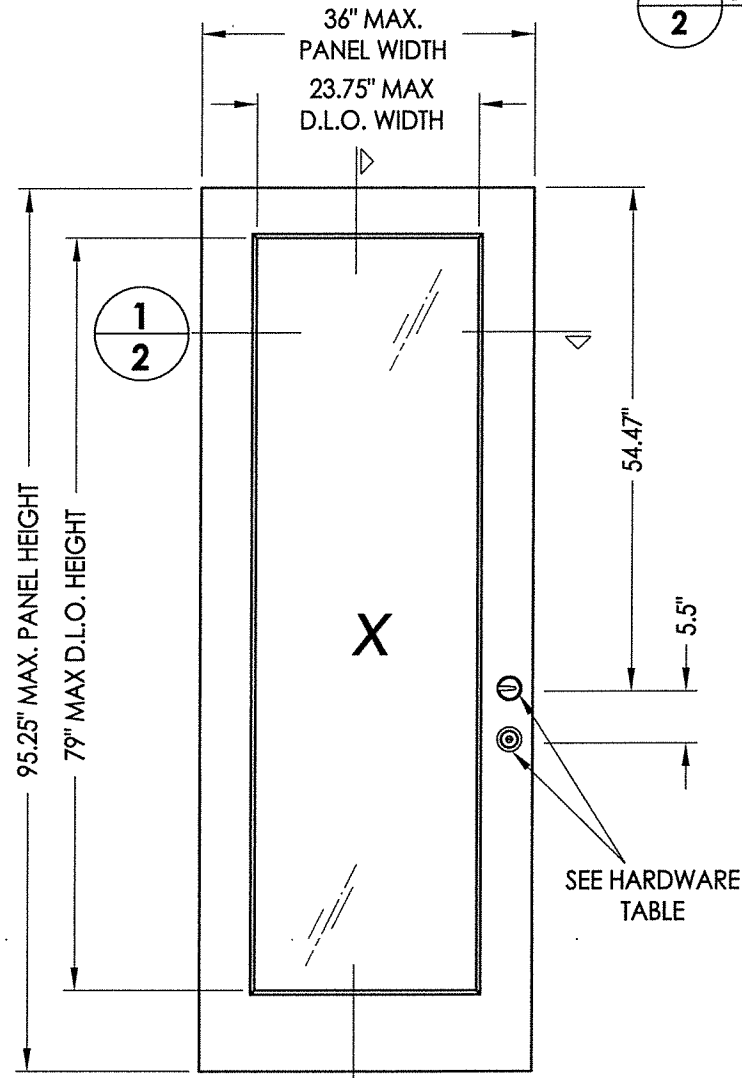
DRAWING NO.: TX-4760

SHEET 1 OF 7

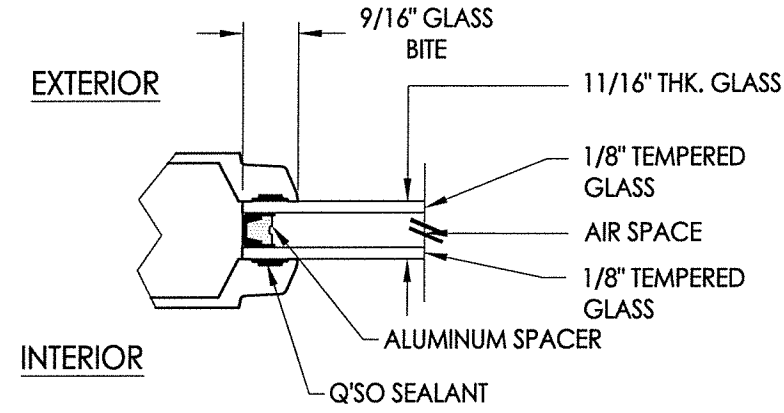
R:\Clients\Endura PERMANENT\B - Texas Dept of Ins\TDI - DR-954 Glazed Therma-Tru FG door OXO (L.K. DB) 36 in SL(4759-4760)\C - Drawings\TX-4759.4760.dwg, 2.4



**1**  
**2** HORIZONTAL CROSS SECTION

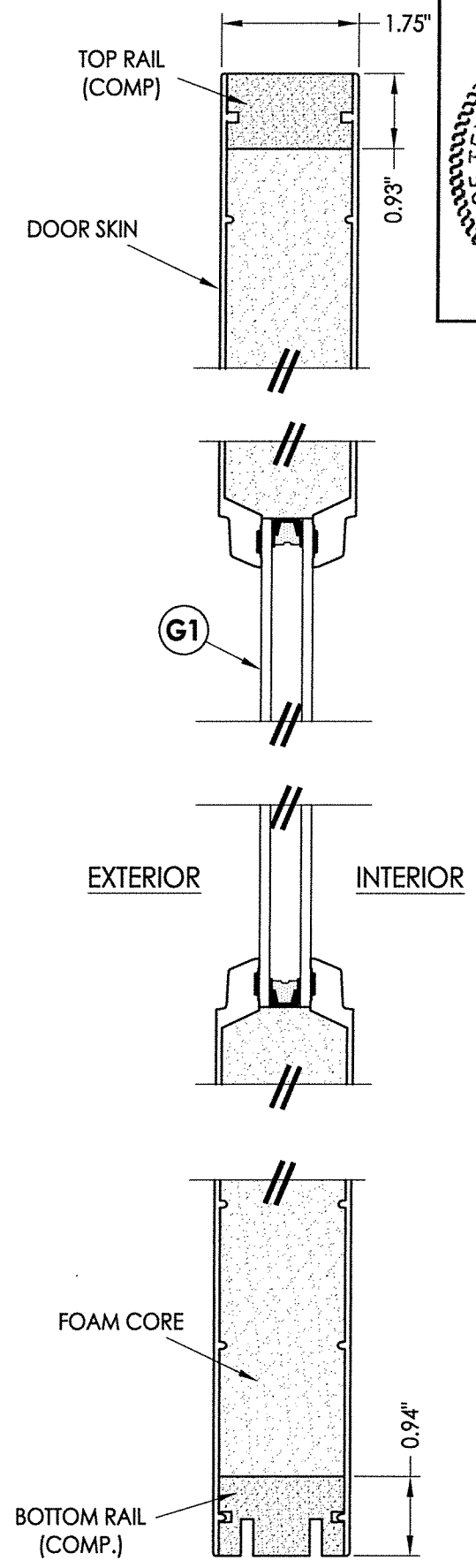


**2**  
**2**  
THERMA TRU - Flush Glazed  
Door Panel  
(fiberglass)

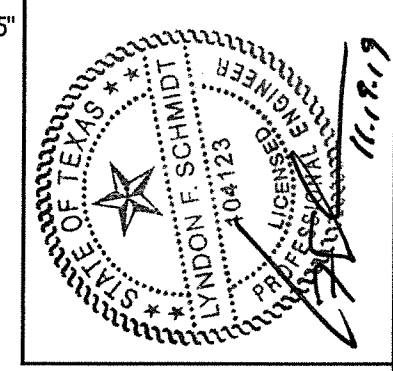


**G1** GLAZING DETAIL

DOOR LOCK HARDWARE TABLE	
MANUFACTURER	MODEL
KWIKSET	KNOB: SIGNATURE SERIES DEADBOLT: SIGNATURE SERIES (980)



**2**  
**2** VERTICAL CROSS SECTION



Documents Prepared By: Lyndon F. Schmidt, P.E.  
TEXAS P.E. #104123

**RW** BUILDING CONSULTANTS, INC.  
P.O. Box 230 Valrico FL 33595  
Phone No.: 813.659.9197

TEXAS BOARD OF PROFESSIONAL ENGINEERS  
CERTIFICATE OF REGISTRATION # F-11852

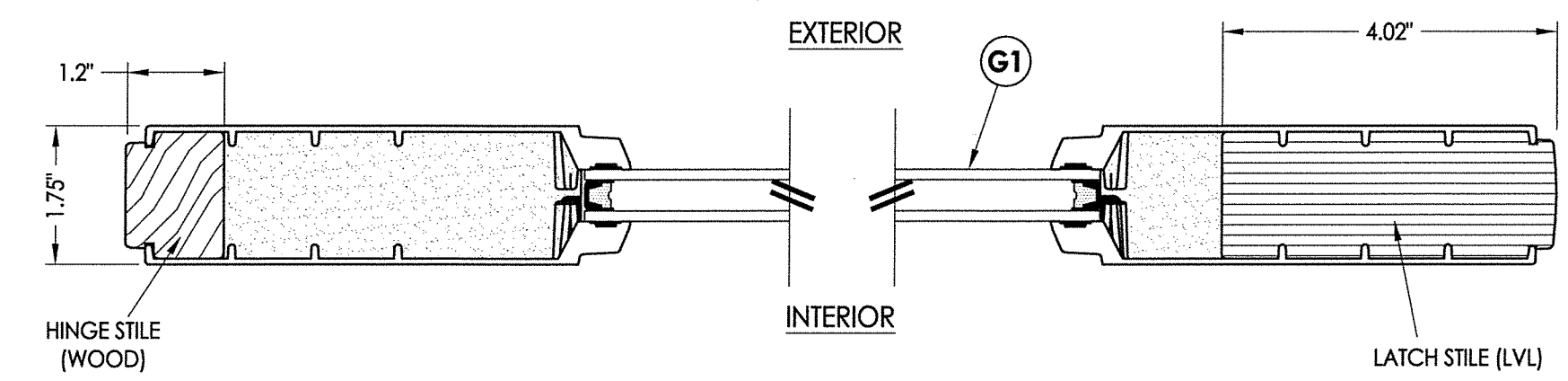
PRODUCT: ENDURA

PART OR ASSEMBLY: DOOR PANEL DETAILS & GLAZING DETAIL

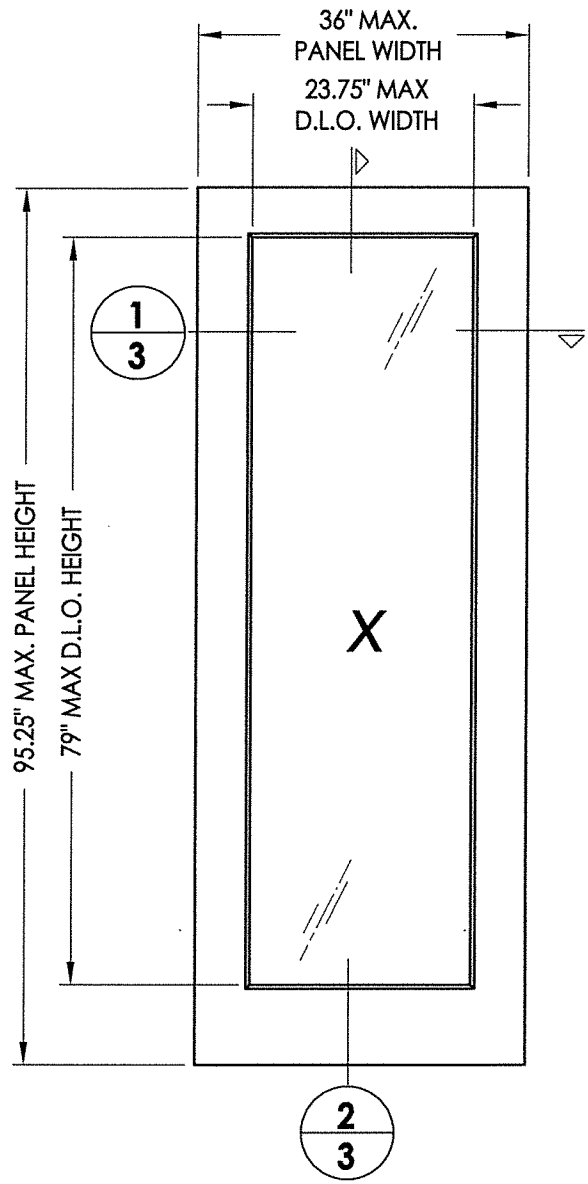
NO.	DATE	BY	REVISIONS
1	11/19/19	LFS	ADD "FusionFrame" OPTION & UPDATE TO 2018 IBC/IRC CODE

DATE: 12/07/17  
SCALE: N.T.S.  
DWG. BY: JK  
CHK. BY: LFS  
DRAWING NO.: TX-4760  
SHEET 2 OF 7

R:\Clients\Endura PERMANENT\B - Texas Dept of Ins\TDI - DR-954 Glazed Thermo-Tru FG door OXO (LK, DB) 36 in SL(4759-4760)\C - Drawings\TX-4759.4760.dwg, 3.4

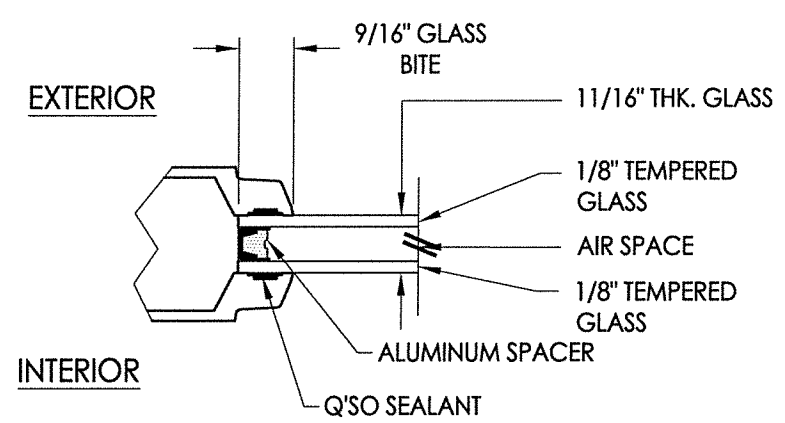


**1**  
**3** HORIZONTAL CROSS SECTION

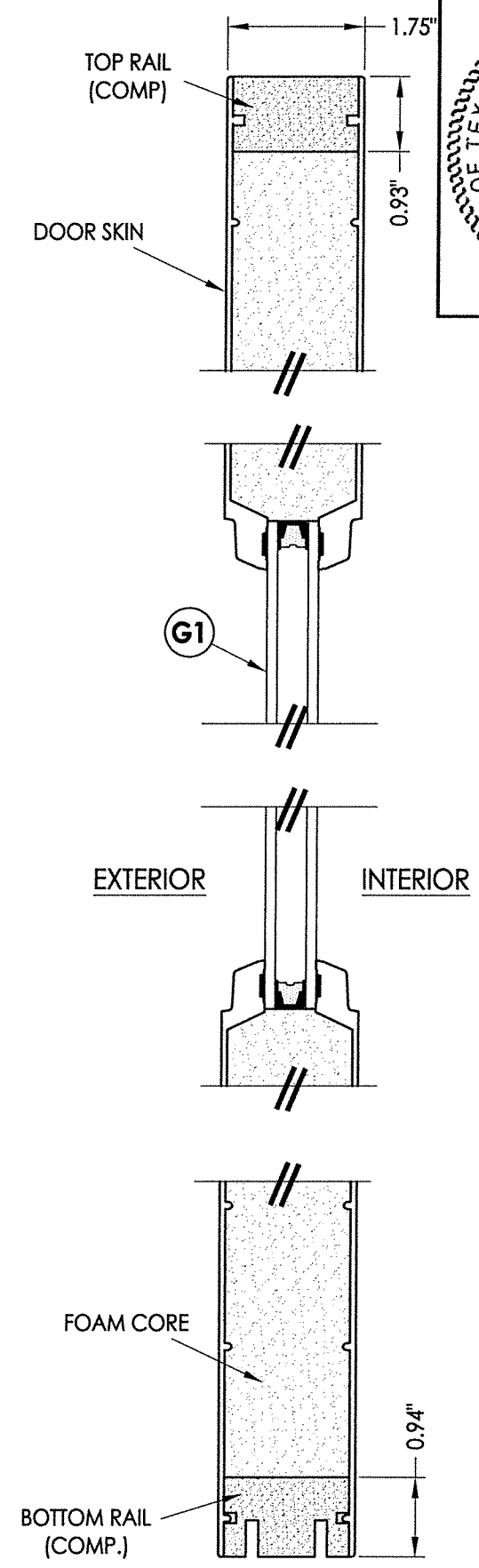


**2**  
**3** THERMA TRU - Flush Glazed Sidelite Panel (fiberglass)

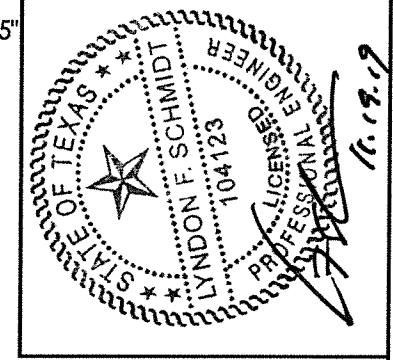
SIDELITE SKIN: FIBERGLASS (0.075" MIN. THICKNESS)  
CORE MATERIAL: POLYURETHANE FOAM (1.9 PCF MIN.)



**G1** GLAZING DETAIL



**2**  
**3** VERTICAL CROSS SECTION



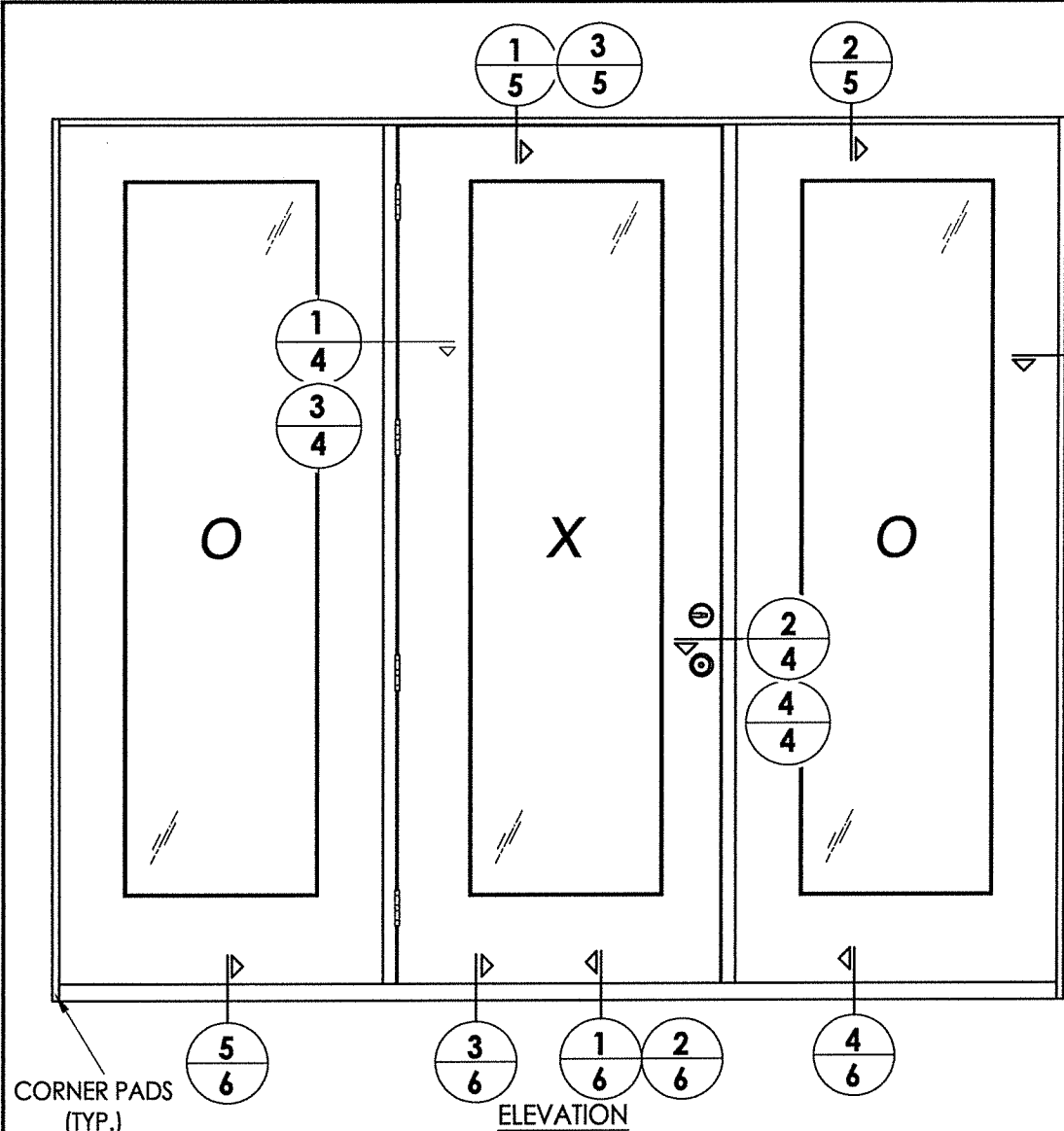
Documents Prepared By: Lyndon F. Schmidt, P.E.  
TEXAS P.E. #104123  
**RW** BUILDING CONSULTANTS, INC.  
P.O. Box 230 Valrico FL, 33595  
Phone No.: 813.659.9197  
TEXAS BOARD OF PROFESSIONAL ENGINEERS  
CERTIFICATE OF REGISTRATION # F-11852

PRODUCT: ENDURA  
PART OR ASSEMBLY: SIDELITE PANEL DETAILS (LIP LITE INSERT GLAZING)

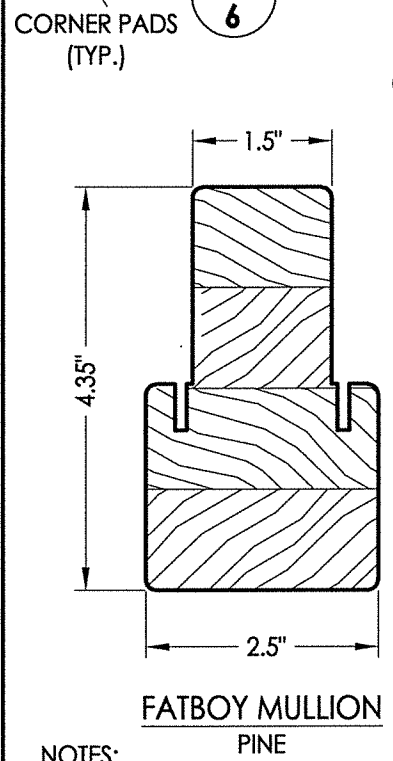
NO.	DATE	REVISIONS
1	11/19/19	ADD "FusionFrame" OPTION & UPDATE TO 2018 IBC/IRC CODE

DATE: 12/07/17  
SCALE: N.T.S.  
DWG. BY: JK  
CHK. BY: LFS  
DRAWING NO.: TX-4760  
SHEET 3 OF 7

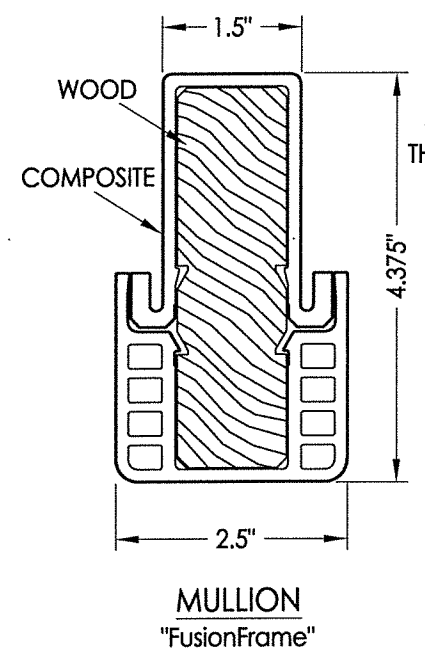
R:\Clients\Endura PERMANENT\B - Texas Dept of Ins\TDI - DR-954 Glazed Thermo-Tru FG door OXO (LK, DB) 36 in SL(4759-4760)\C - Drawings\TX-4759.4760.dwg, 4.4



**ELEVATION**  
OXO SHOWN (XO/OX SIMILAR)

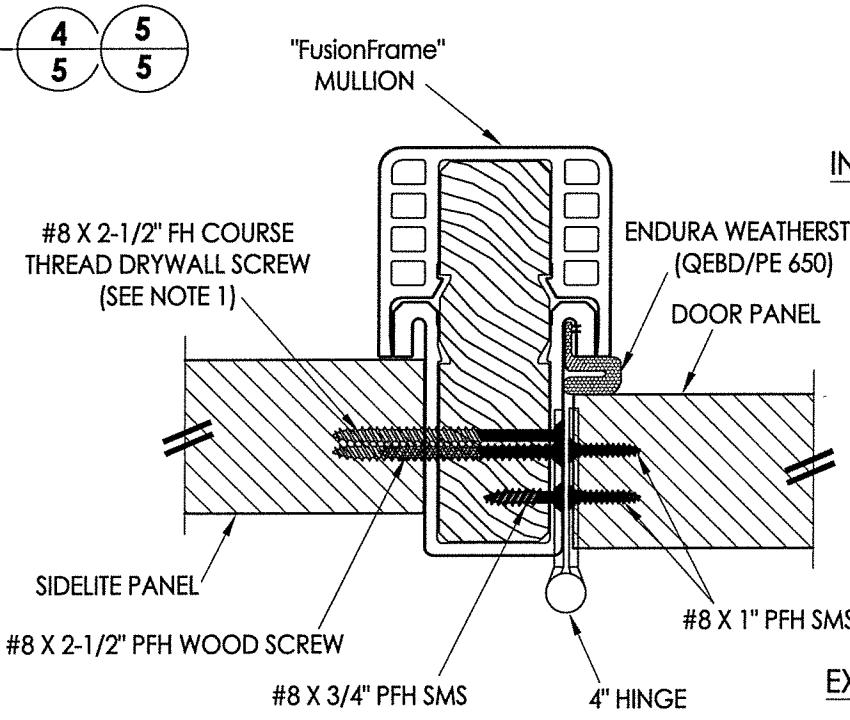


**FATBOY MULLION**  
PINE

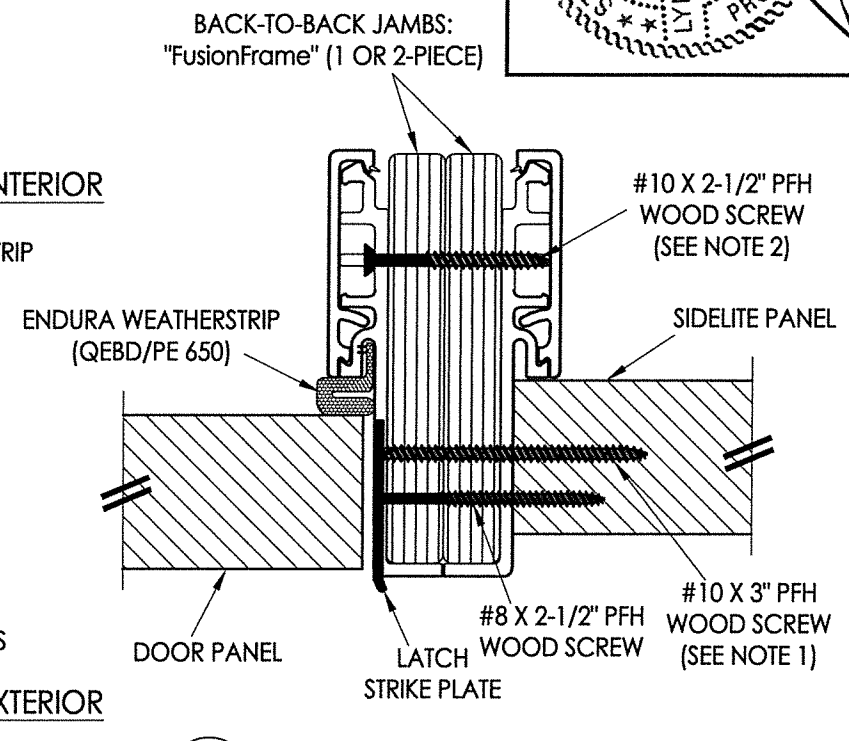


**MULLION**  
"FusionFrame"

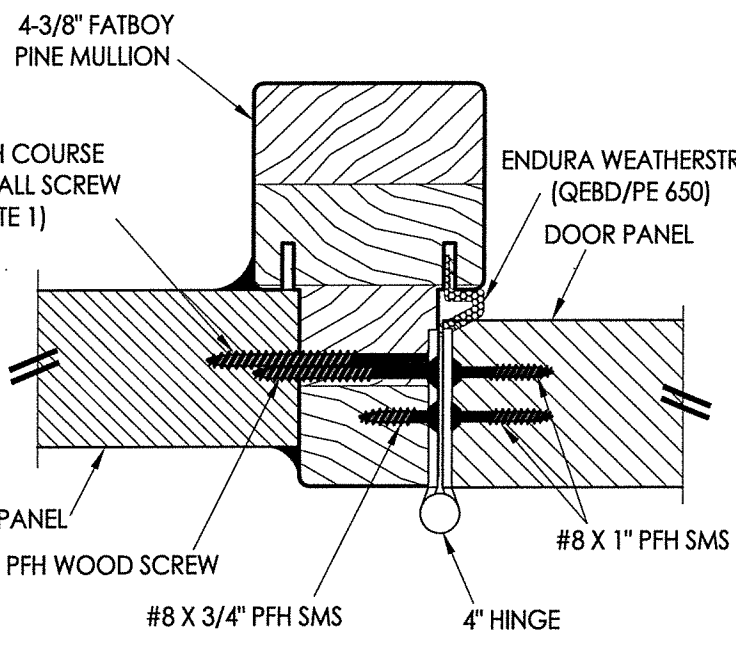
- NOTES:**  
 1. Spacing for sidelite screws: 6.5", 35.5", 57.25" and 85" from head to sill (4 total).  
 2. Spacing for mullion screws: 6" from each end plus 3 more equally spaced (5 total).



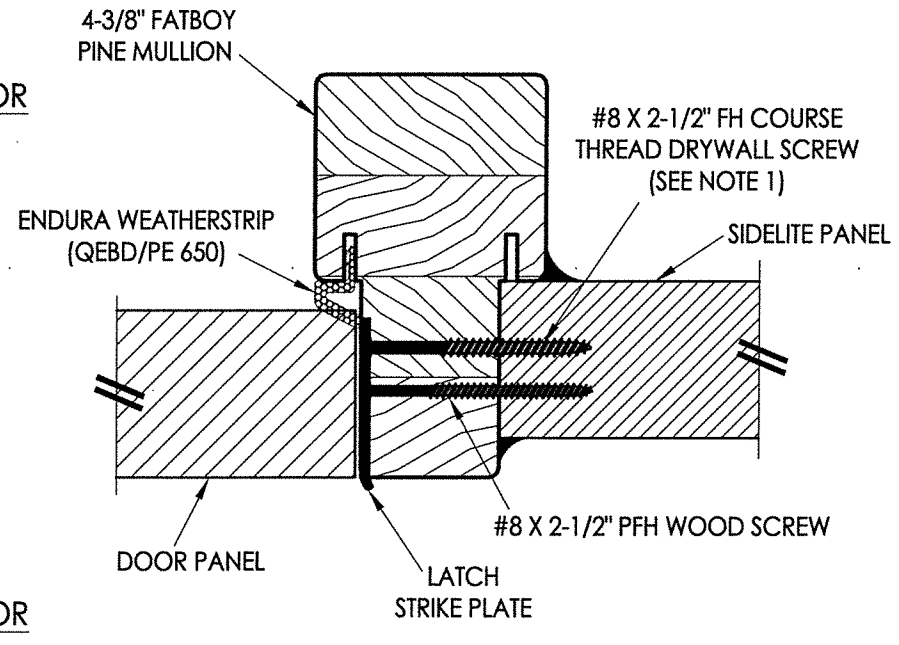
**3 HORIZONTAL CROSS SECTION**  
Outswing shown - Inswing also approved



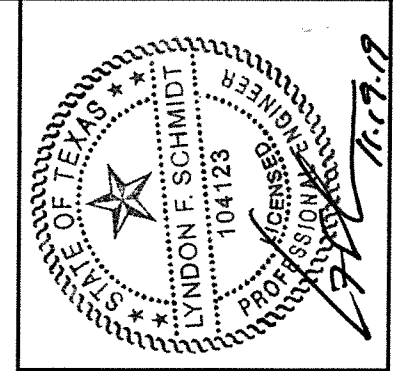
**4 HORIZONTAL CROSS SECTION**  
Outswing shown - Inswing also approved



**1 HORIZONTAL CROSS SECTION**  
Outswing shown - Inswing also approved



**2 HORIZONTAL CROSS SECTION**  
Outswing shown - Inswing also approved



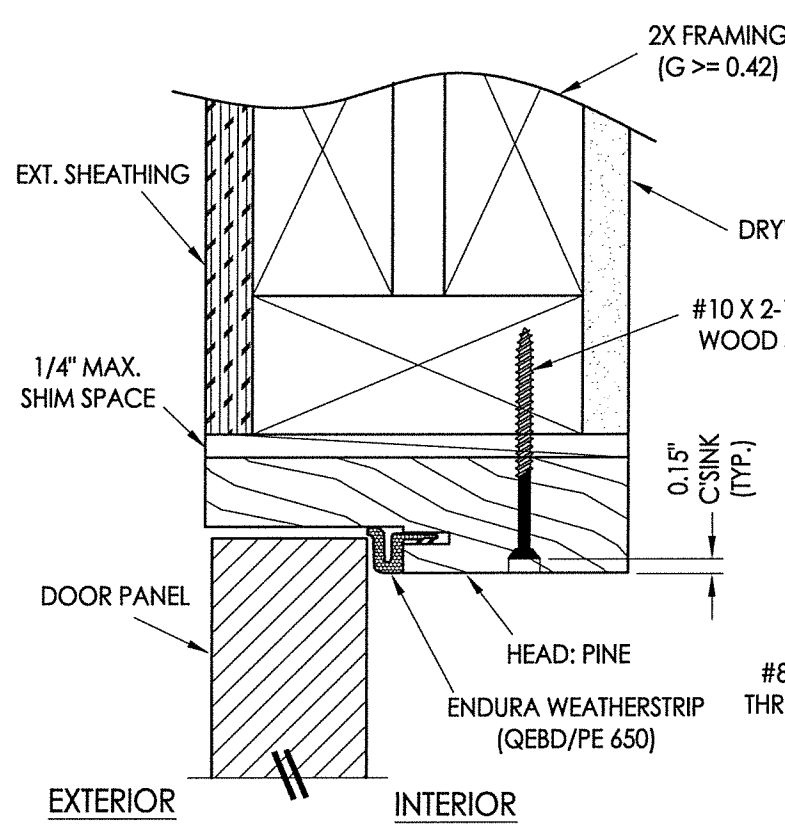
Documents Prepared By: Lyndon F. Schmidt, P.E.  
TEXAS P.E. #104123

**RW** BUILDING CONSULTANTS, INC.  
P.O. Box 230 Vairico FL, 33595  
Phone No.: 813.659.9197  
TEXAS BOARD OF PROFESSIONAL ENGINEERS  
CERTIFICATE OF REGISTRATION # F-11852

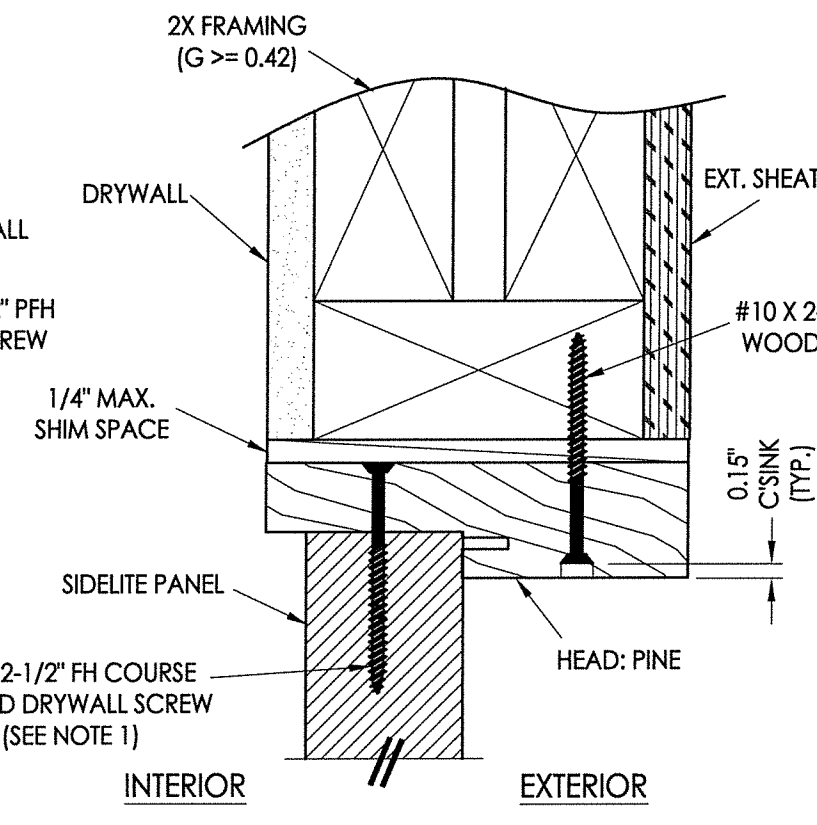
PRODUCT:	ENDURA		
	FIBERGLASS DOOR		
PART OR ASSEMBLY:	LFS		
	HORIZONTAL CROSS SECTIONS		
DATE:	12/07/17		
SCALE:	N.T.S.		
DWG. BY:	JK		
CHK. BY:	LFS		
DRAWING NO.:	TX-4760		
SHEET	4 OF 7		
NO.	DATE	BY	REVISIONS
1	11/19/19		ADD "FusionFrame" OPTION & UPDATE TO 2018 IBC/IRC CODE

© 2017 R.W. BUILDING CONSULTANTS INC.

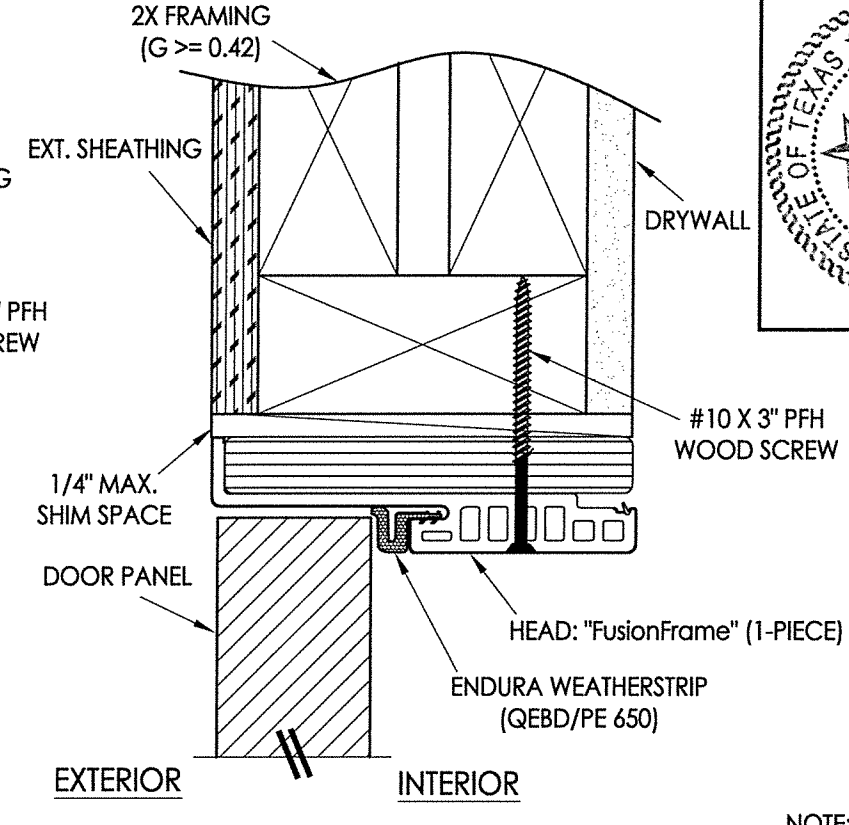
R:\Clients\Endura PERMANENT\B - Texas Dept of Ins\TDI - DR-954 Glazed Thermo-Tru FG door OXO (LK, DB) 36 in SL(4759-4760)\C - Drawings\TX-4759.4760.dwg, 5.4



**1 VERTICAL CROSS SECTION**  
**5** Outswing shown - inswing also approved

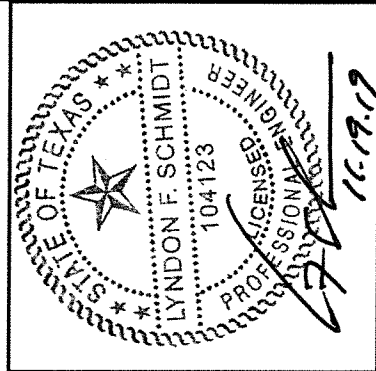


**2 VERTICAL CROSS SECTION**  
**5** Inswing shown - Outswing also approved



**3 VERTICAL CROSS SECTION**  
**5** Outswing shown - inswing also approved

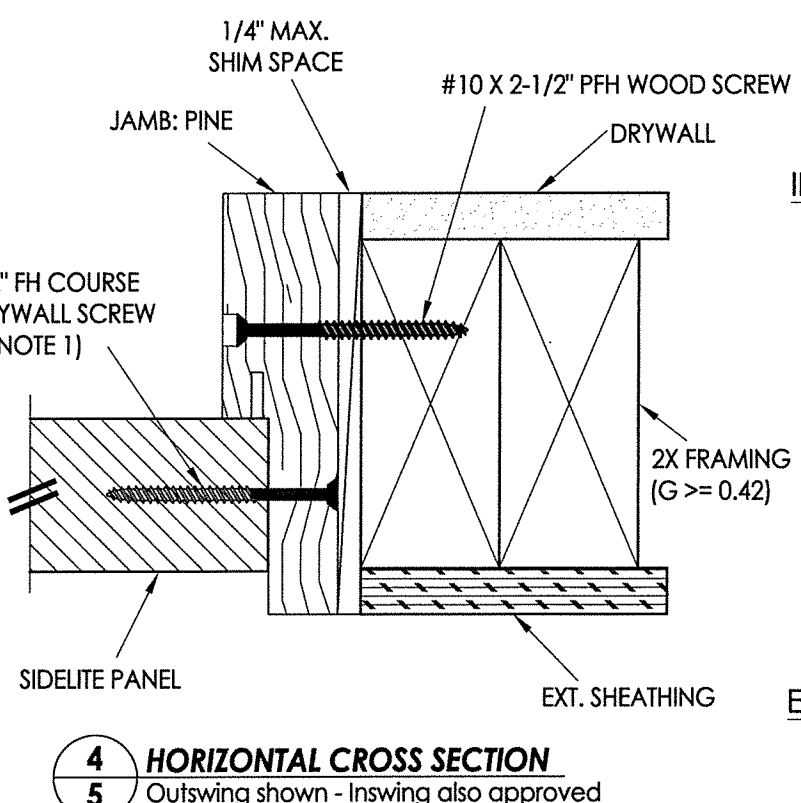
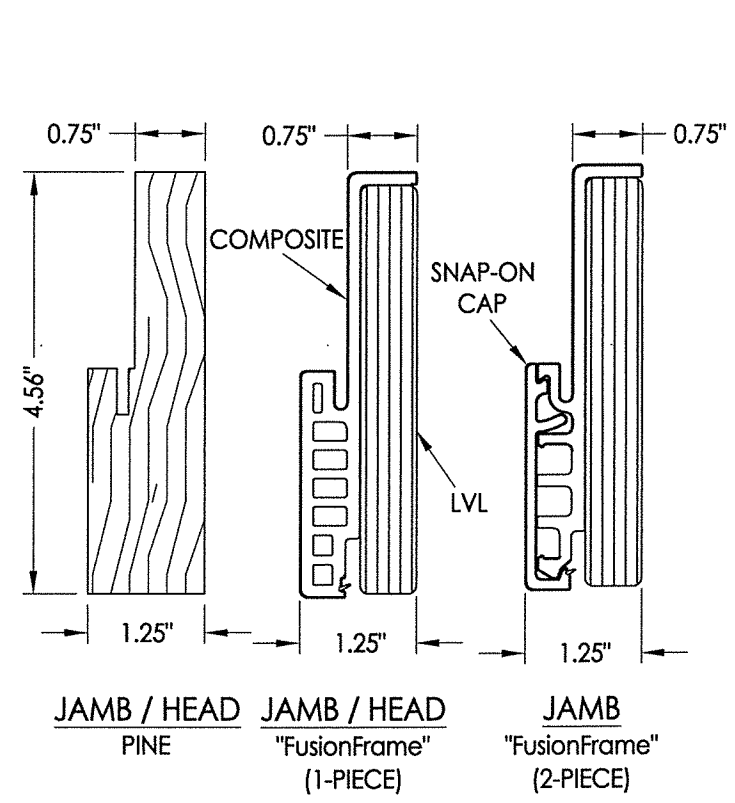
**NOTE:**  
 1. Spacing for sidelite screws: 6" from each end (2 total).



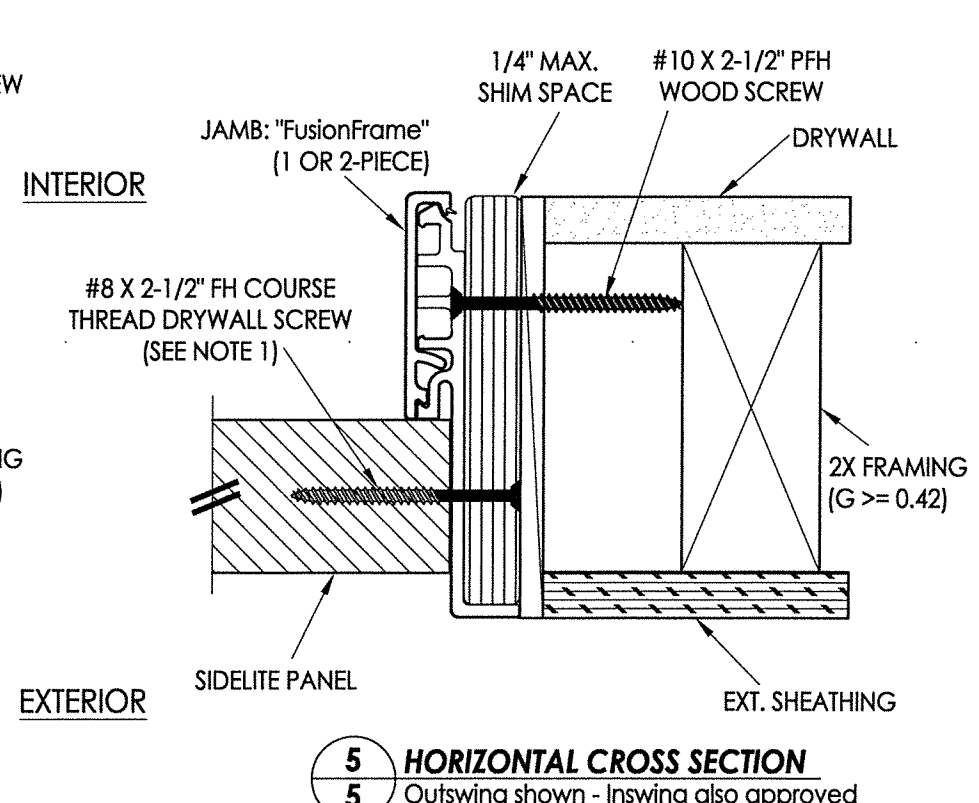
Documents Prepared By: Lyndon F. Schmidt, P.E.  
 TEXAS P.E. #104123

**RW BUILDING CONSULTANTS, INC.**  
 P.O. Box 230 Valrico FL 33595  
 Phone No.: 813.659.9197

TEXAS BOARD OF PROFESSIONAL ENGINEERS  
 CERTIFICATE OF REGISTRATION # F-11852



**4 HORIZONTAL CROSS SECTION**  
**5** Outswing shown - Inswing also approved

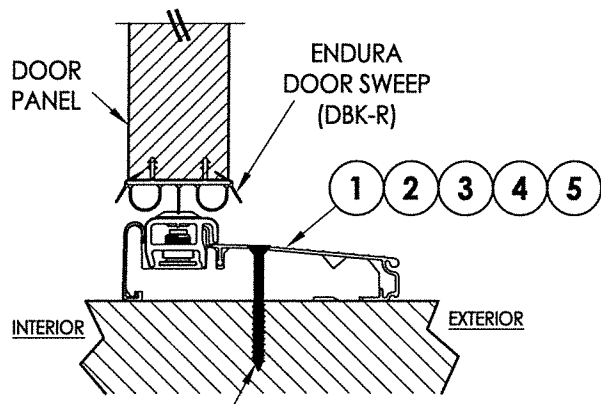


**5 HORIZONTAL CROSS SECTION**  
**5** Outswing shown - Inswing also approved

PRODUCT:	ENDURA
PART OR ASSEMBLY:	VERTICAL CROSS SECTIONS
LFS	BY
1 11/19/19 ADD "FusionFrame" OPTION & UPDATE TO 2018 IBC/IRC CODE	NO. DATE
	REVISIONS
DATE: 12/07/17	
SCALE: N.T.S.	
DWG. BY: JK	
CHK. BY: LFS	
DRAWING NO.: TX-4760	
SHEET 5 OF 7	

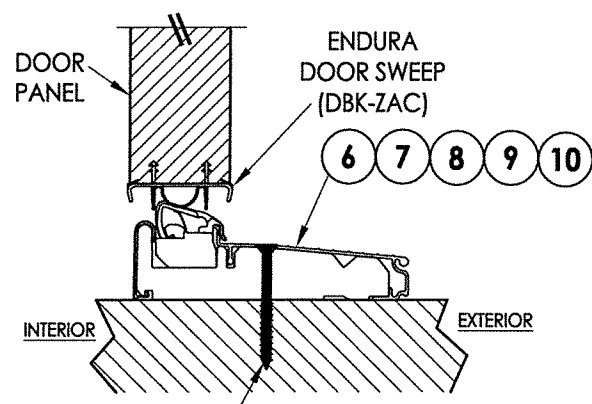
© 2017 R.W. BUILDING CONSULTANTS INC.

R:\Clients\Endura PERMANENT\B - Texas Dept of Ins\TDI - DR-954 Glazed Thermo-Tru FG door OXO (LK, DB) 36 in SL(4759-4760)\C - Drawings\TX-4759.4760.dwg, 6.4



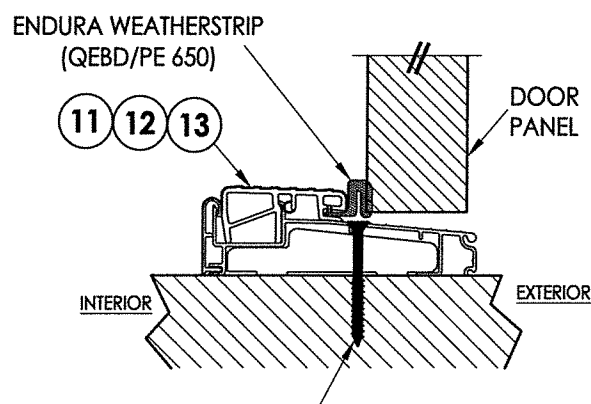
#10 X 2.5" PFH WOOD SCREW OR  
1/4" X 2-3/4" ELCO OR ITW CONCRETE SCREW

**1 VERTICAL CROSS SECTION**  
6 Inswing Adjustable Threshold



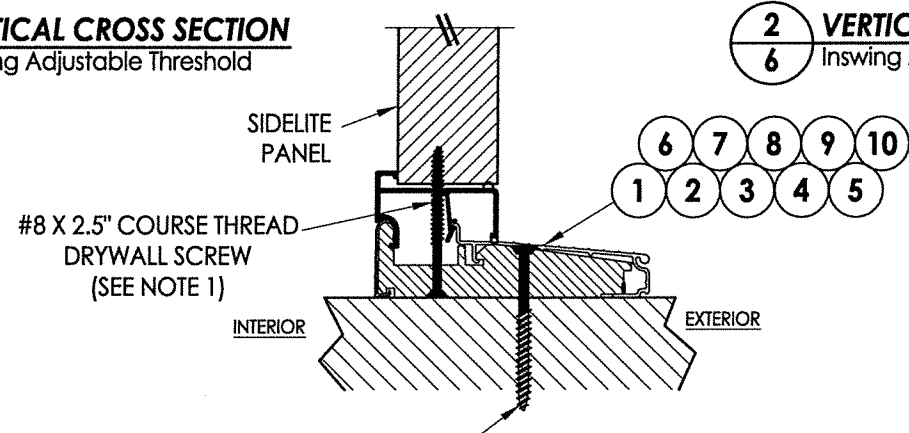
#10 X 2.5" PFH WOOD SCREW OR  
1/4" X 2-3/4" ELCO OR ITW CONCRETE SCREW

**2 VERTICAL CROSS SECTION**  
6 Inswing Articulating Threshold



#10 X 2.5" PFH WOOD SCREW OR  
1/4" X 2-3/4" ELCO OR ITW CONCRETE SCREW

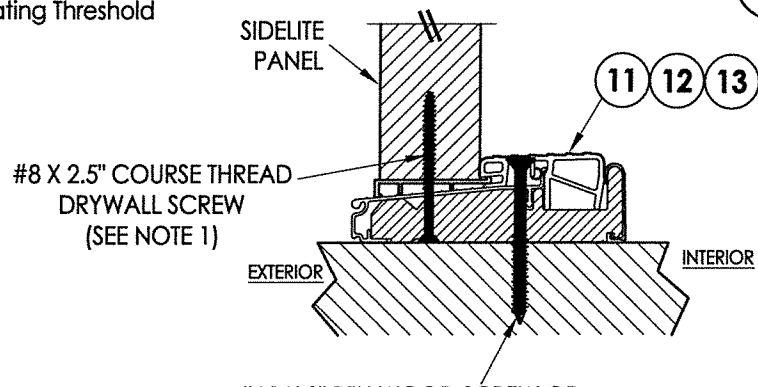
**3 VERTICAL CROSS SECTION**  
6 Outswing Bump Threshold



#8 X 2.5" COURSE THREAD  
DRYWALL SCREW  
(SEE NOTE 1)

#10 X 2.5" PFH WOOD SCREW OR  
1/4" X 2-3/4" ELCO OR ITW CONCRETE SCREW

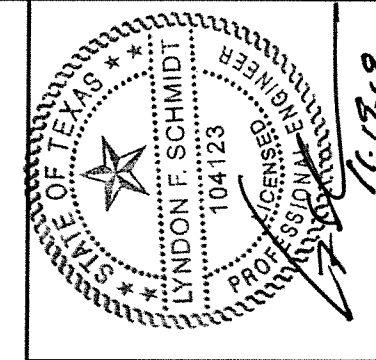
**4 VERTICAL CROSS SECTION**  
6 Inswing configuration



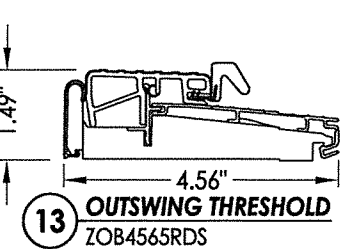
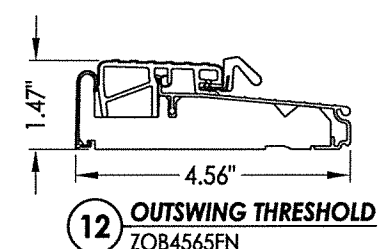
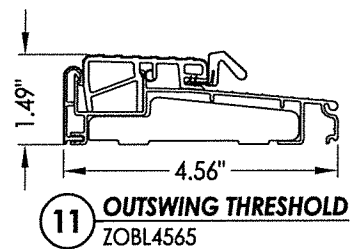
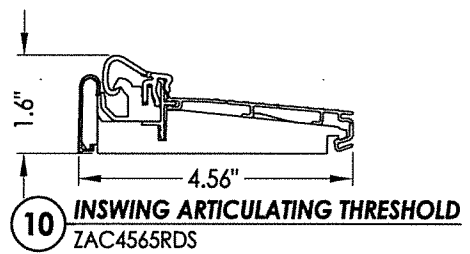
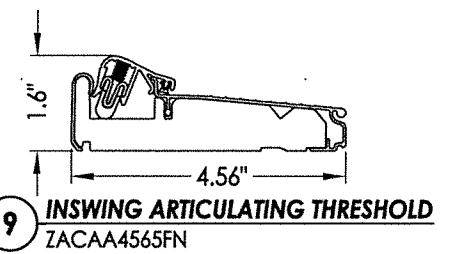
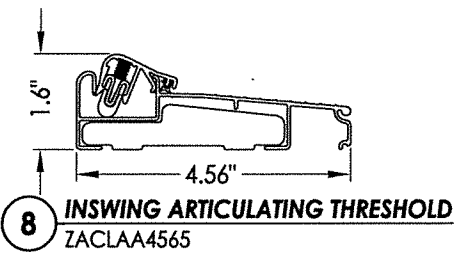
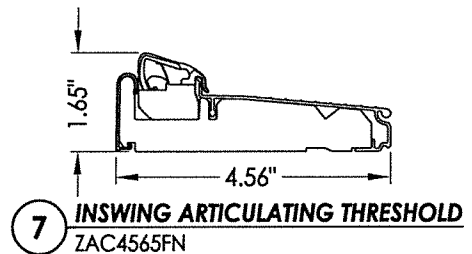
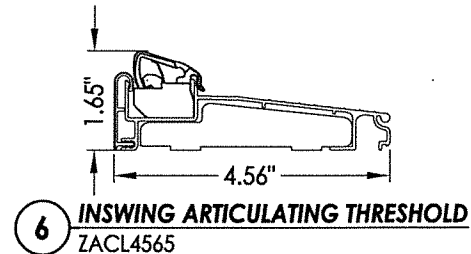
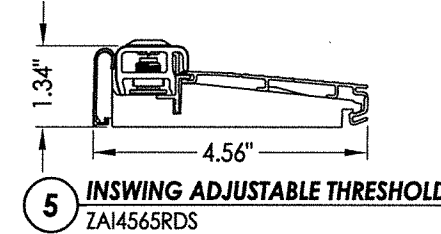
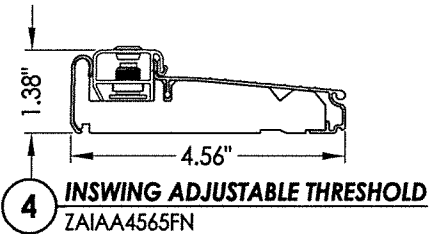
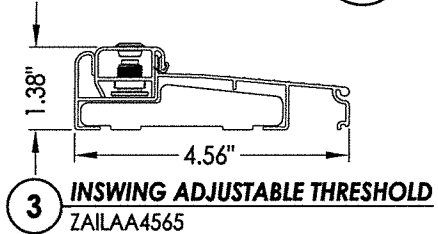
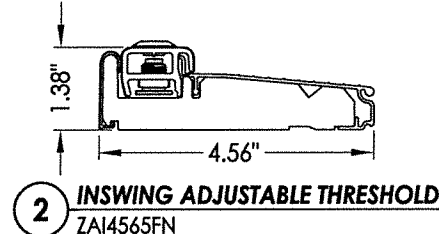
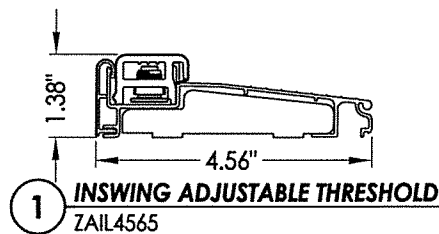
#8 X 2.5" COURSE THREAD  
DRYWALL SCREW  
(SEE NOTE 1)

#10 X 3" PFH WOOD SCREW OR  
1/4" X 3-1/4" ELCO OR ITW CONCRETE SCREW

**5 VERTICAL CROSS SECTION**  
6 Outswing configuration

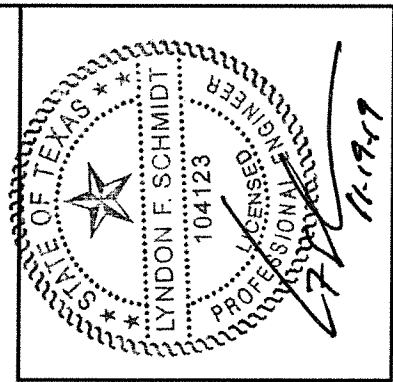
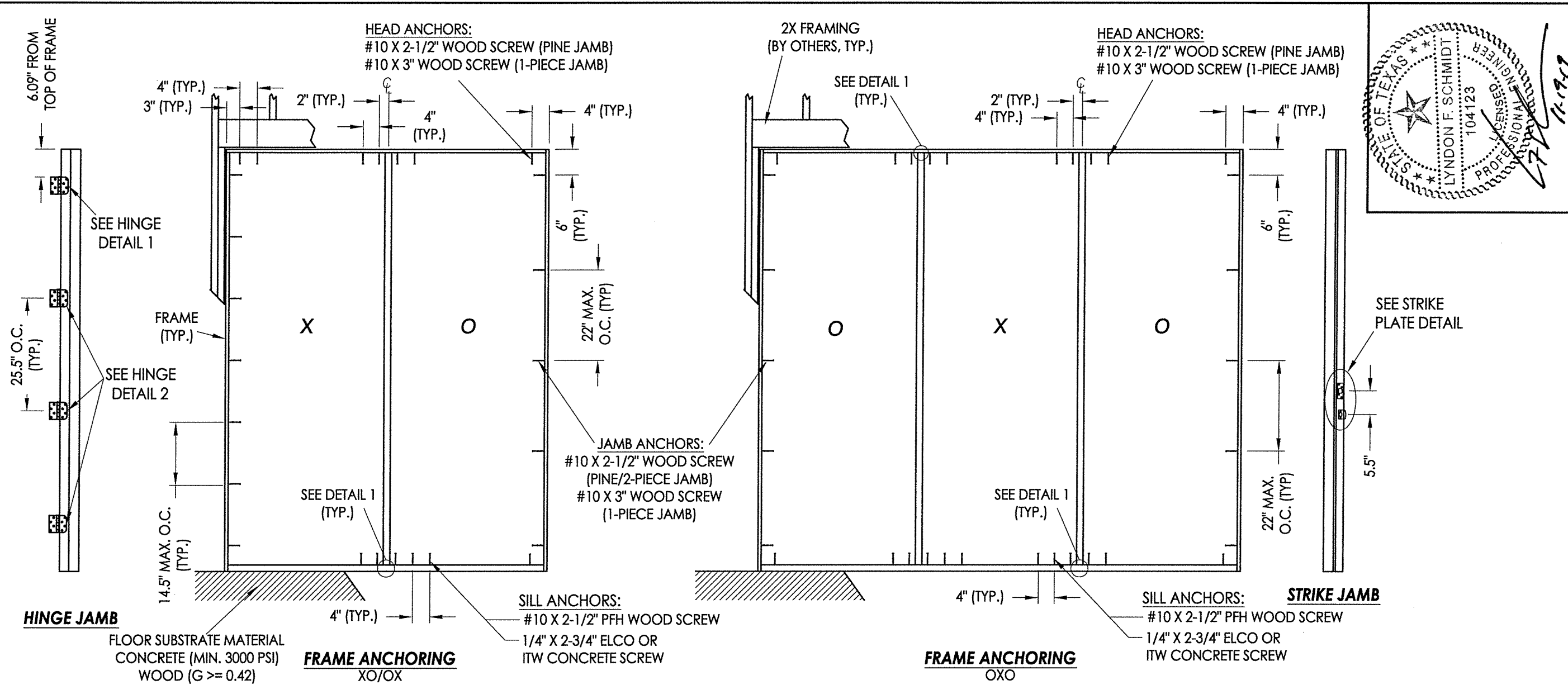


NOTE:  
1. Spacing for sidelite screws:  
6" from each end (2 total).



Documents Prepared By: Lyndon F. Schmidt, P.E. TEXAS P.E. #104123		BUILDING CONSULTANTS, INC. P.O. Box 230 Valrico FL 33595 Phone No.: 813.659.9197	
PRODUCT: ENDURA		FIBERGLASS DOOR	
PART OR ASSEMBLY: LFS		VERTICAL CROSS SECTIONS	
NO.	DATE	BY	REVISIONS
1	11/19/19	LFS	ADD "FusionFrame" OPTION & UPDATE TO 2018 IBC/IRC CODE
DATE: 12/07/17		SCALE: N.T.S.	
DWG. BY: JK		CHK. BY: LFS	
DRAWING NO.: TX-4760		SHEET 6 OF 7	

© 2017 R.W. BUILDING CONSULTANTS INC.



Documents Prepared By: Lyndon F. Schmidt, P.E.  
TEXAS P.E. #104123

**RW** BUILDING CONSULTANTS, INC.  
P.O. Box 230 Valrico FL 33595  
Phone No.: 813.659.9197

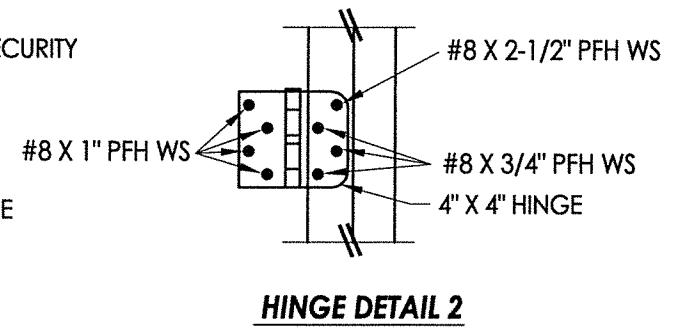
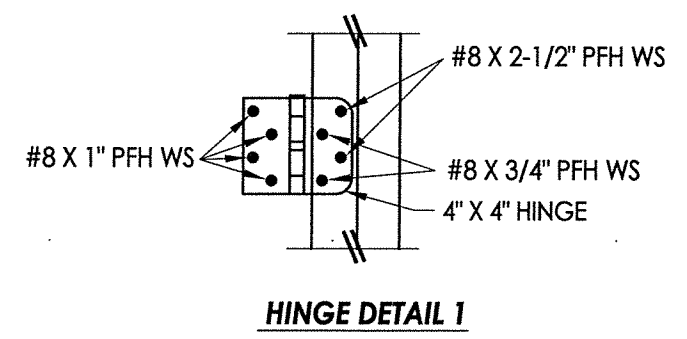
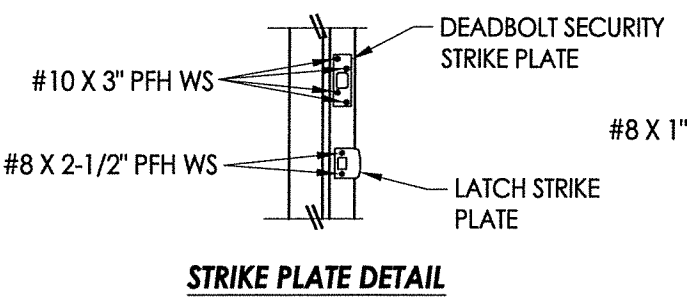
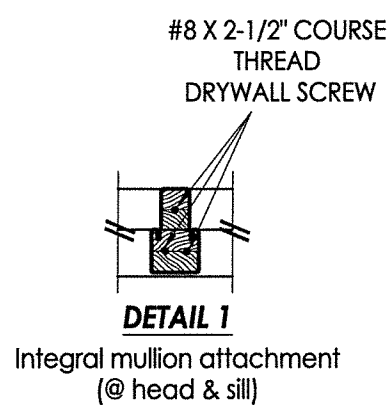
TEXAS BOARD OF PROFESSIONAL ENGINEERS  
CERTIFICATE OF REGISTRATION # F-11852

**JAMB NOTES:**  
THE PINE OR "FusionFrame" 1-PIECE JAMB MAY BE INSTALLED @ THE HEAD OR SIDE JAMB.  
THE FusionFrame" 2-PIECE JAMB MAY BE INSTALLED @ THE SIDE JAMBS ONLY.

**INTEGRAL MULLION NOTES:**  
THE FATBOY PINE MULLION, "FusionFrame" MULLION, OR THE "FusionFrame" BACK-TO-BACK JAMB (1-PIECE OR 2-PIECE) MAY ALL BE USED AS THE INTEGRAL MULLION.

- CONCRETE ANCHOR NOTES:**
- Concrete anchor locations at the corners may be adjusted to maintain the min. edge distance to mortar joints.
  - Concrete anchor locations noted as "MAX. ON CENTER" must be adjusted to maintain the min. edge distance to mortar joints, additional concrete anchors may be required to ensure the "MAX. ON CENTER" dimension are not exceeded.
  - Concrete anchor table:

ANCHOR TYPE	ANCHOR SIZE	MIN. EMBEDMENT	MIN. CLEARANCE TO MASONRY EDGE	MIN. CLEARANCE TO ADJACENT ANCHOR
ITW TAPCON®	1/4"	1-3/4"	1-1/2"	4"
ELCO ULTRACON®	1/4"	1-3/4"	1"	4"



NO.	DATE	REVISIONS
1	11/19/19	ADD "FusionFrame" OPTION & UPDATE TO 2018 IBC/IRC CODE

DATE: 12/07/17  
SCALE: N.T.S.  
DWG. BY: JK  
CHK. BY: LFS  
DRAWING NO.: TX-4760  
SHEET 7 OF 7