

THERMA-TRU[®] DOORS

Fiber-Classic[®] & Smooth-Star[®]

COMPOSITE EDGE GLAZED FIBERGLASS SINGLE DOOR w/ SIDELITE(S) INSWING/OUTSWING "COASTAL - IMPACT"

EVALUATED FOR USE IN THE STATE OF TEXAS

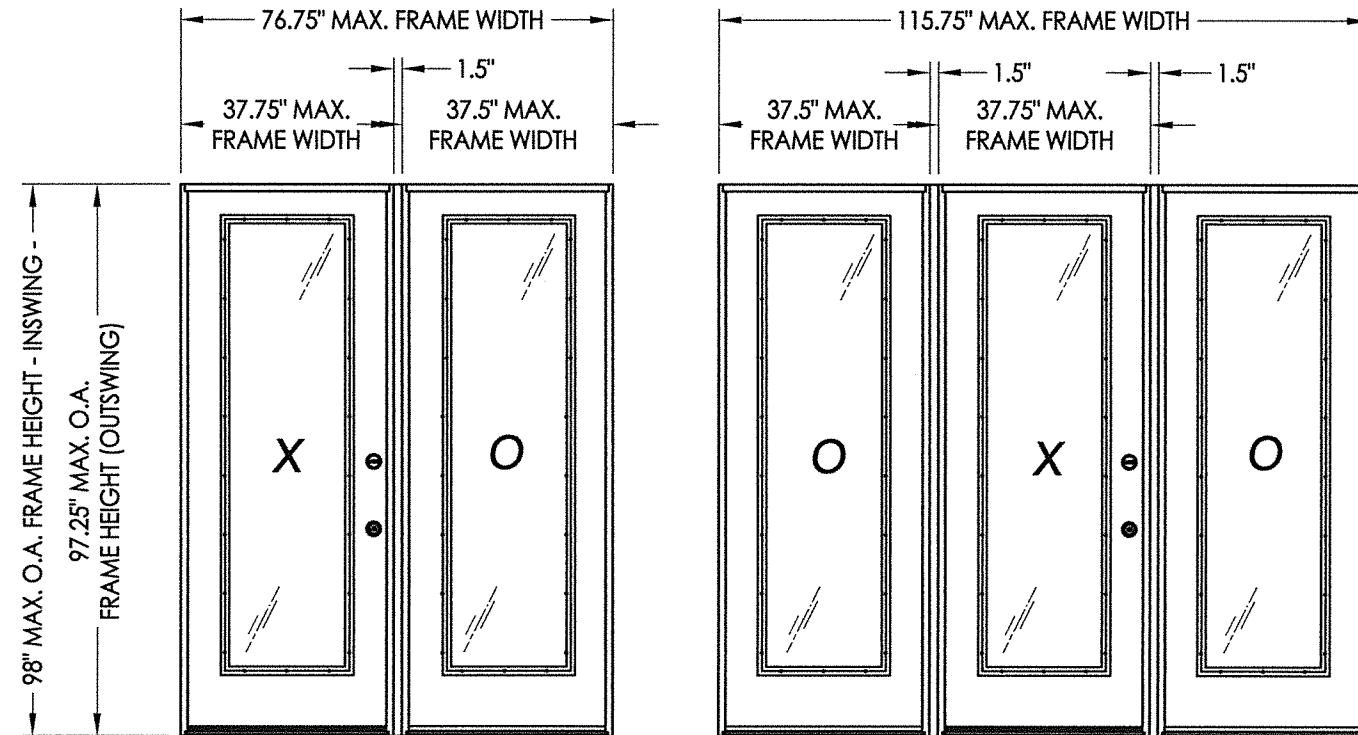
TDI DR-952

The Fiberglass Door system described herein complies with the 2018 International Residential Code (IRC), Sections R301 & R609 and the 2018 International Building Code (IBC), Sections 1404.13, 1609, 1709.5, 2403 and 2404 subject to the following conditions:

1. Anchors shall be as listed and spaced as shown in the details. Anchor embedment to base material shall be beyond wall dressing or stucco.
2. This system has been tested and evaluated as a large missile impact protective system for installation in areas that require wind borne debris protection. This product meets missile level "D" as defined in ASTM E 1996.
3. Allowable design pressure requirements must be equal to or less than the design pressure rating shown in the design pressure chart, sheet 1 of this drawing.
4. Conditions not covered by this drawing are subject to further engineering analysis.
5. Fiber-Classic and Smooth-Star Door & Sidelite panels require the use of "J" part numbers. These door panels must be stained or painted within six months of installation.

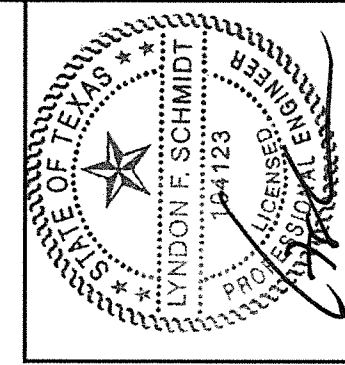
TABLE OF CONTENTS

SHEET #	DESCRIPTION
1	Typical Elevations, Design Pressures & General Notes
2	Door Panel Details
3	Sidelite Panel Details
4	Elevations
5	Horizontal & Vertical Cross Sections
6	Vertical Cross Sections (Thresholds)
7	Frame Anchoring
8	Hardware Details
9	Glazing Details
10	Components
11	Bill of Materials



CONFIGURATION	LOCK HARDWARE	DESIGN PRESSURE (PSF) INSWING		DESIGN PRESSURE (PSF) OUTSWING	
		POSITIVE	NEGATIVE	POSITIVE	NEGATIVE
XO, OX, OXO	Latch & Deadbolt	+50.0	-55.0	+50.0	-50.0
XO, OX, OXO	Multipoint	+50.0	-55.0	+55.0	-55.0

See Sheet 4 for Hardware Specifications



Documents Prepared By: Lyndon F. Schmidt, P.E.
TEXAS P.E. #104123

RW BUILDING CONSULTANTS, INC.
P.O. Box 230 Valrico FL 33595
Phone No.: 813.659.9197

CERTIFICATE OF REGISTRATION # F-11852

PRODUCT: THERMA-TRU FIBERGLASS DOOR
PART OR ASSEMBLY: TYPICAL ELEVATION, DESIGN PRESSURES & GENERAL NOTES

NO.	DATE	REVISIONS
1	9/27/21	UPDATE TO 2018 IBC/IRC CODE
LFS	BY	

DATE: 10/24/17

SCALE: N.T.S.

DWG. BY: JK

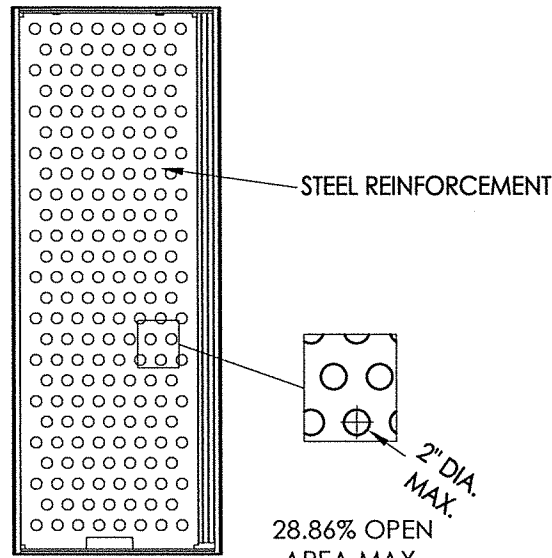
CHK. BY: LFS

DRAWING NO.:

TX-4749

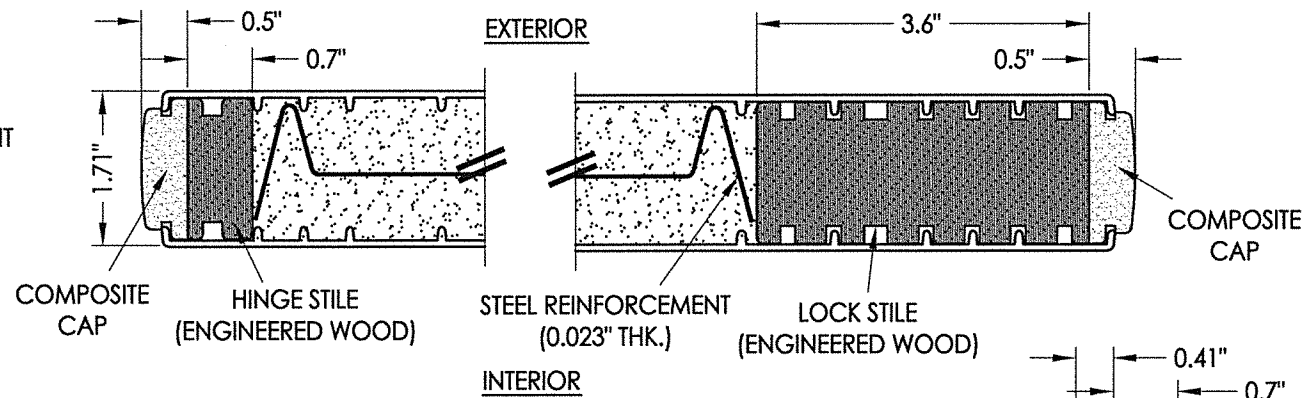
SHEET 1 OF 11

Z:\Clients\Therma Tru PERMANENT\B - Texas Dept of Ins\VDI - DR 952 - 6'8 & 8'0 Glazed Comp Edge Coastal Impact (TX 4745 - 4750)\C - Drawings\TX-4748-50.dwg

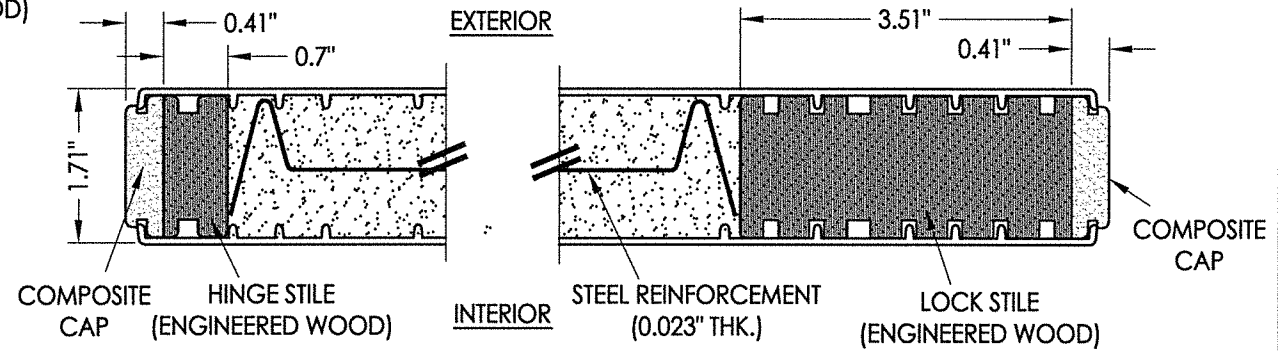


DETAIL A-A
PANEL REINFORCEMENT
(0.023" Thick Steel)

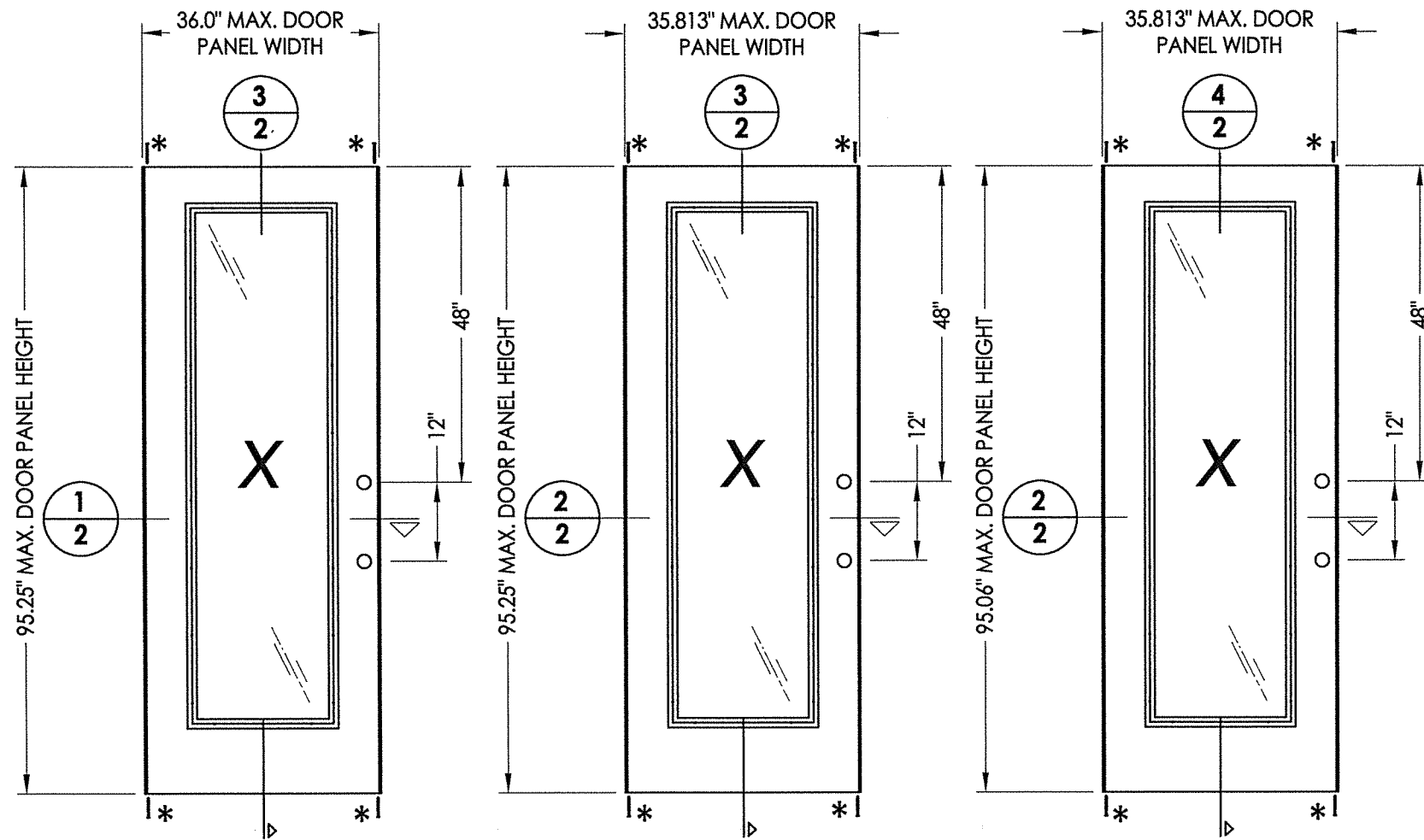
* #8 X 2.5" PFH WS (TYP. @ EACH DOOR CORNER)



1 HORIZONTAL CROSS SECTION



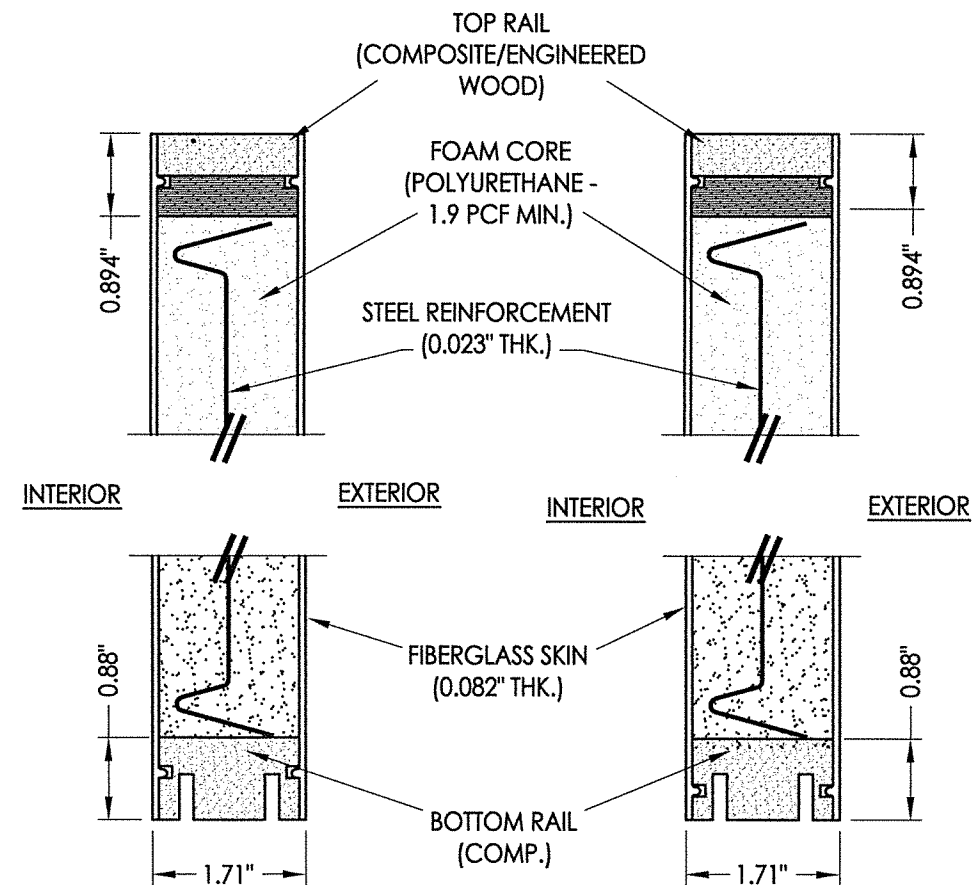
2 HORIZONTAL CROSS SECTION



40 DOOR PANEL BOOK

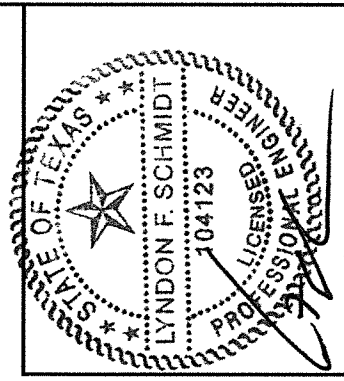
41 DOOR PANEL Hybrid Door

42 DOOR PANEL U1 Door



3 VERTICAL CROSS SECTION

4 VERTICAL CROSS SECTION



Documents Prepared By: Lyndon F. Schmidt, P.E.
TEXAS P.E. #104123

RW BUILDING CONSULTANTS, INC.
P.O. Box 230 Valrico FL 33595
Phone No.: 813.659.9197

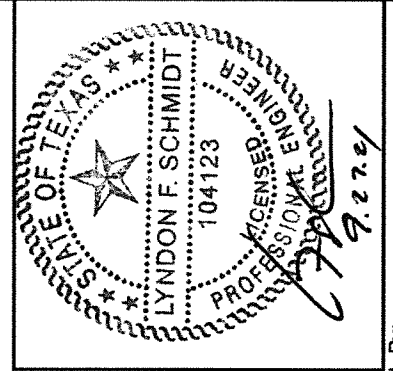
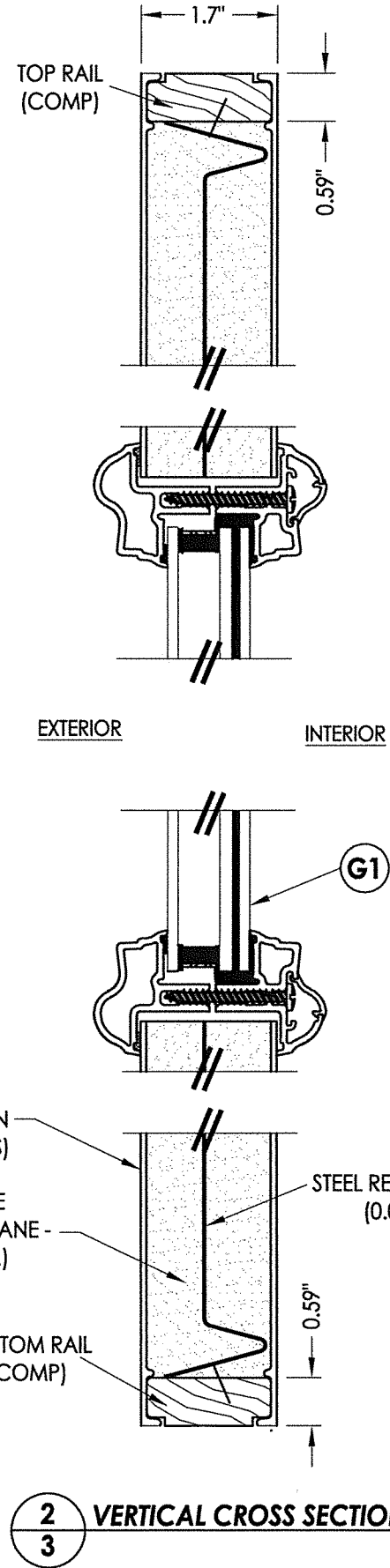
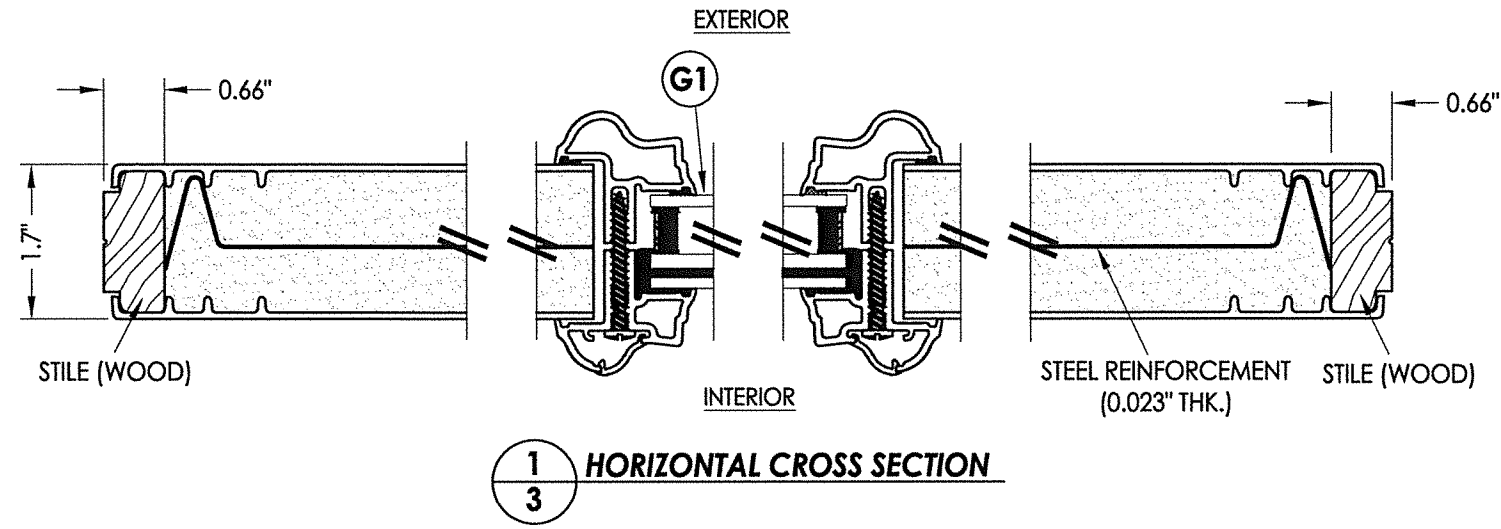
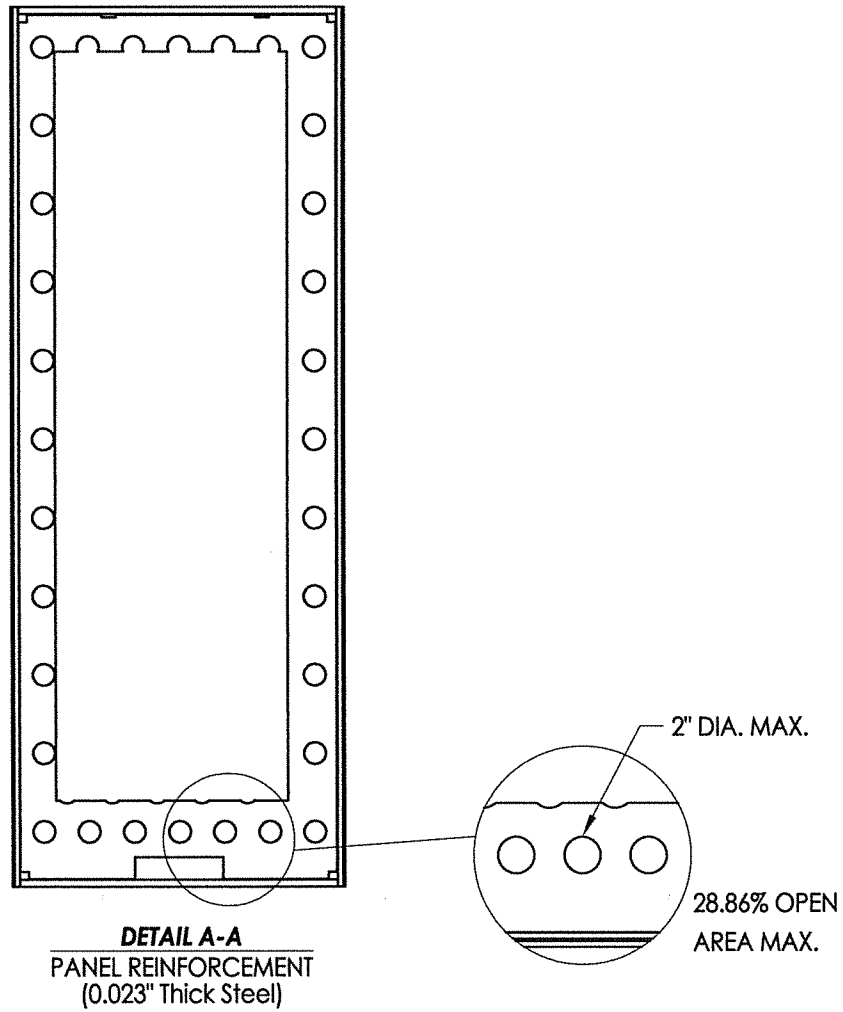
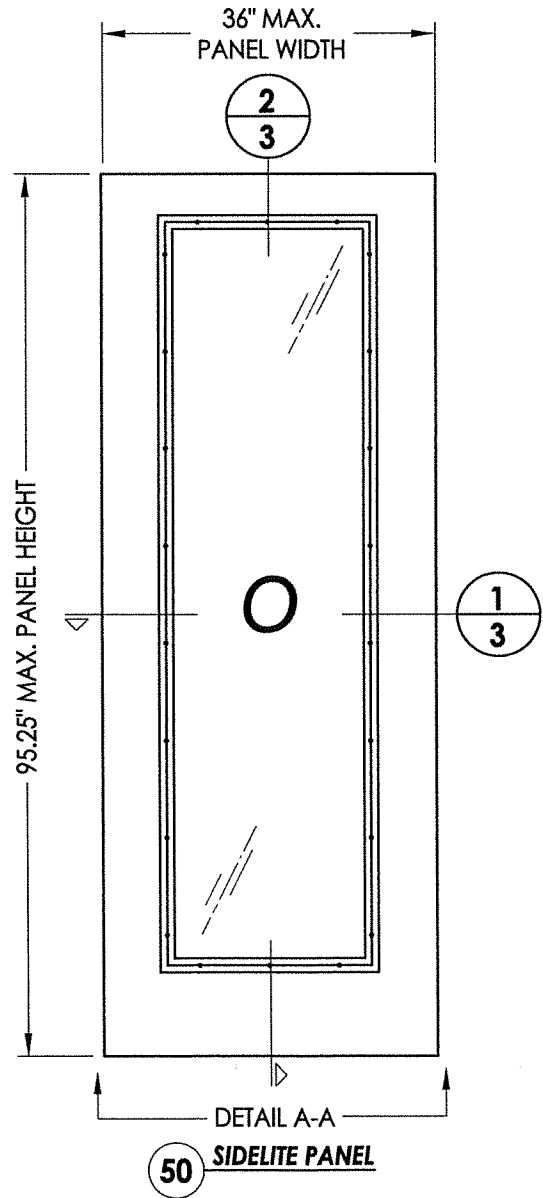
CERTIFICATE OF REGISTRATION # F-11852

PRODUCT: THERMA-TRU FIBERGLASS DOOR
PART OR ASSEMBLY: DOOR PANEL DETAILS

NO.	DATE	DESCRIPTION	LFS	BY
1	9/27/21	UPDATE TO 2018 IBC/IRC CODE	LFS	

DATE: 10/24/17
SCALE: N.T.S.
DWG. BY: JK
CHK. BY: LFS
DRAWING NO.: TX-4749
SHEET 2 OF 11

© 2017 R.W. BUILDING CONSULTANTS INC.



Documents Prepared By: Lyndon F. Schmidt, P.E.
TEXAS P.E. #104123

RW BUILDING CONSULTANTS, INC.
P.O. Box 230 Vairico FL 33595
Phone No.: 813.659.9197

CERTIFICATE OF REGISTRATION # F-11852

PRODUCT: THERMA-TRU FIBERGLASS DOOR

PART OR ASSEMBLY: SIDELITE PANEL DETAILS

NO.	DATE	DESCRIPTION	BY
1	9/27/21	UPDATE TO 2018 IBC/IRC CODE	LFS

DATE: 10/24/17

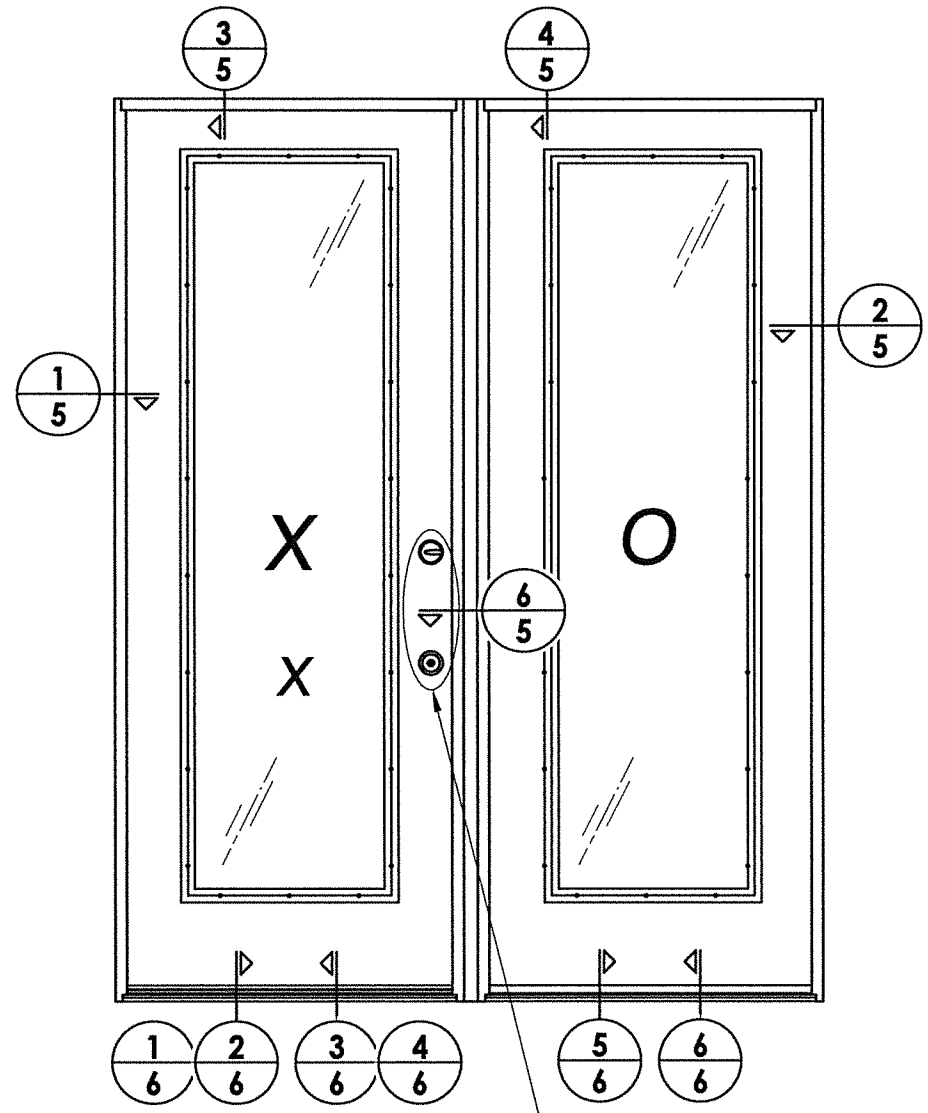
SCALE: N.T.S.

DWG. BY: JK

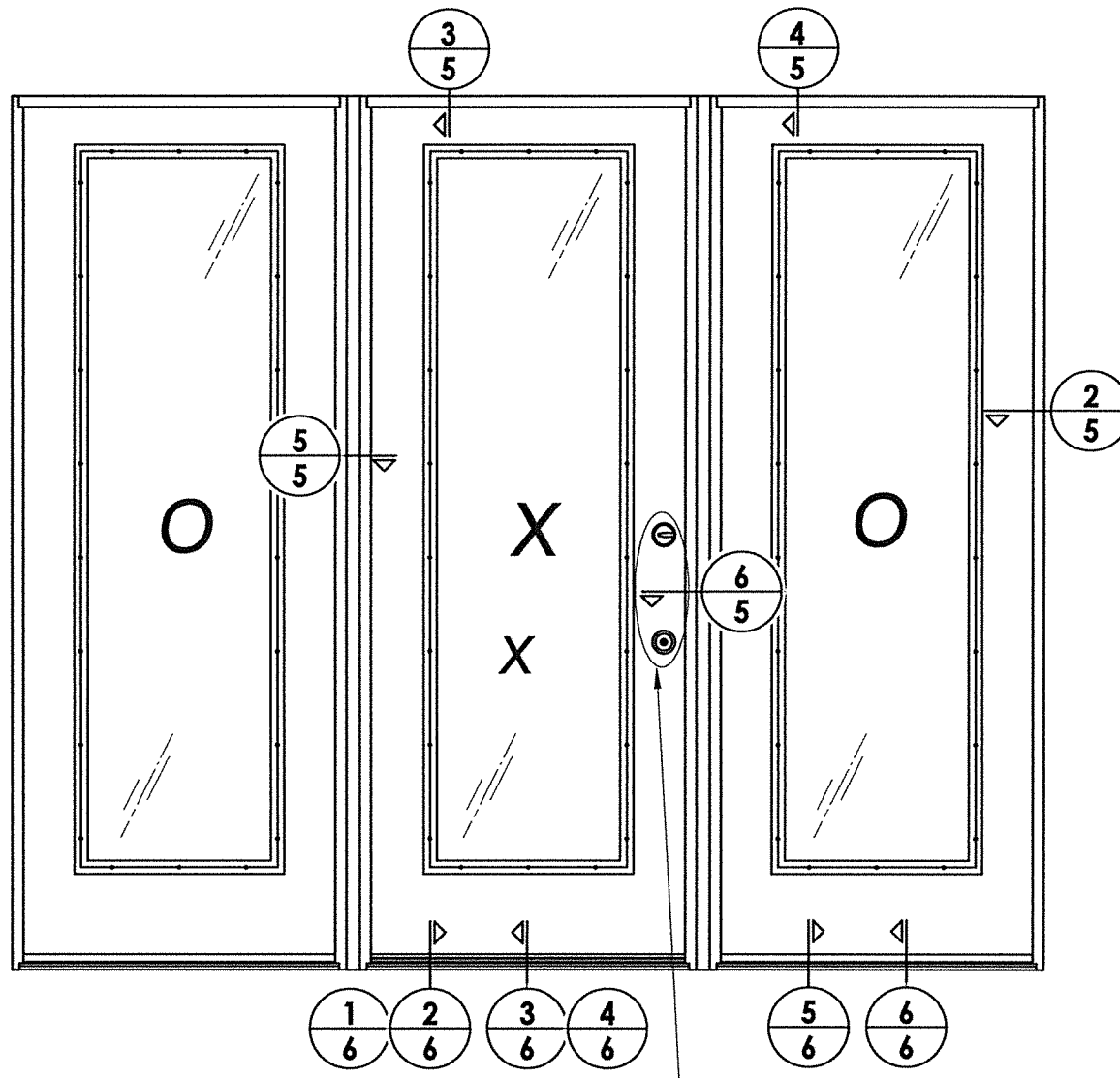
CHK. BY: LFS

DRAWING NO.: TX-4749

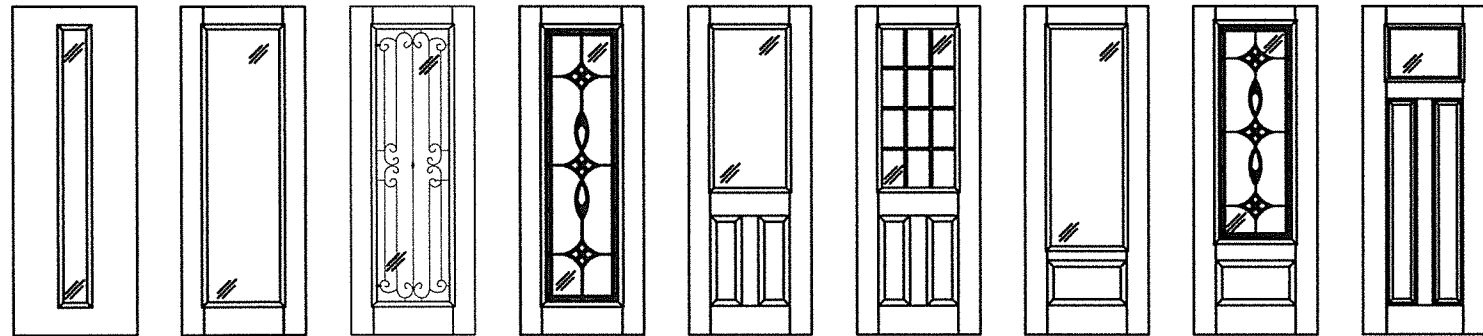
SHEET 3 OF 11



SEE HARDWARE CHART



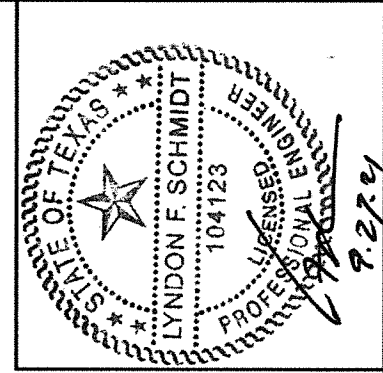
SEE HARDWARE CHART



Fiber-Classic/Smooth-Star Door Panel Options

Panel options shown are for illustration and are representative only
(similar glazed panel configurations are allowed)

HARDWARE TABLE	
MANUFACTURER	MODEL
SCHLAGE	KNOB: F51 DEADBOLT: B60
KWIKSET	KNOB: SIGNATURE SERIES DEADBOLT: SIGNATURE SERIES (980)
HOPPE (THERMA-TRU)	MULTIPOINT : MPDGART (3 pt. Manual Tongue)



Documents Prepared By: Lyndon F. Schmidt, P.E.
TEXAS P.E. #104123

RW BUILDING CONSULTANTS, INC.
P.O. Box 230 Valrico FL 33595
Phone No.: 813.659.9197

CERTIFICATE OF REGISTRATION # F-11852

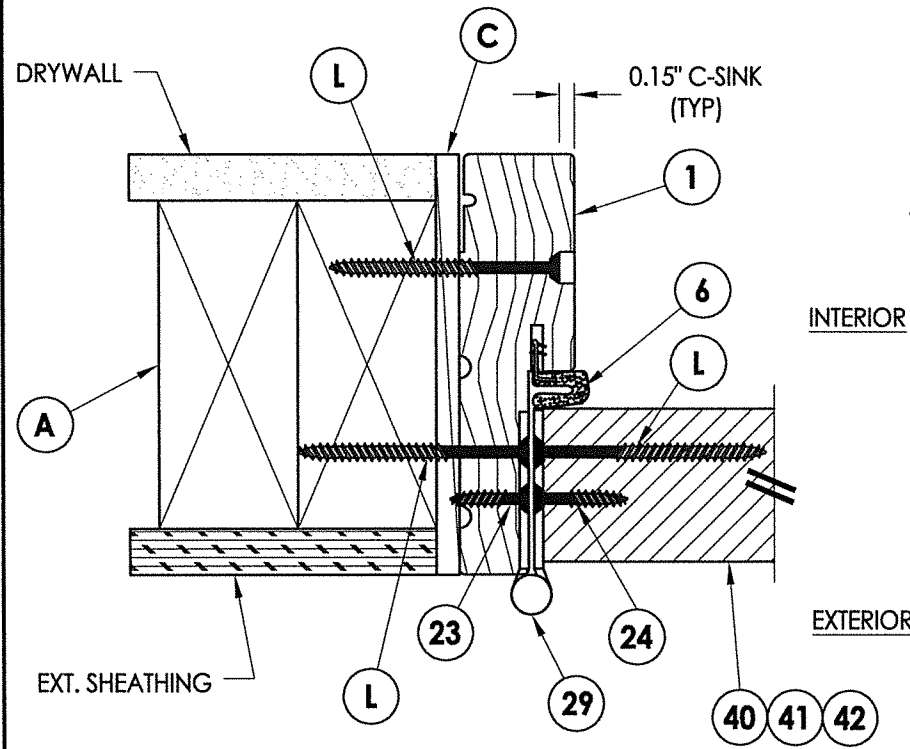
PRODUCT: THERMA-TRU
FIBERGLASS DOOR

PART OR ASSEMBLY:
ELEVATIONS

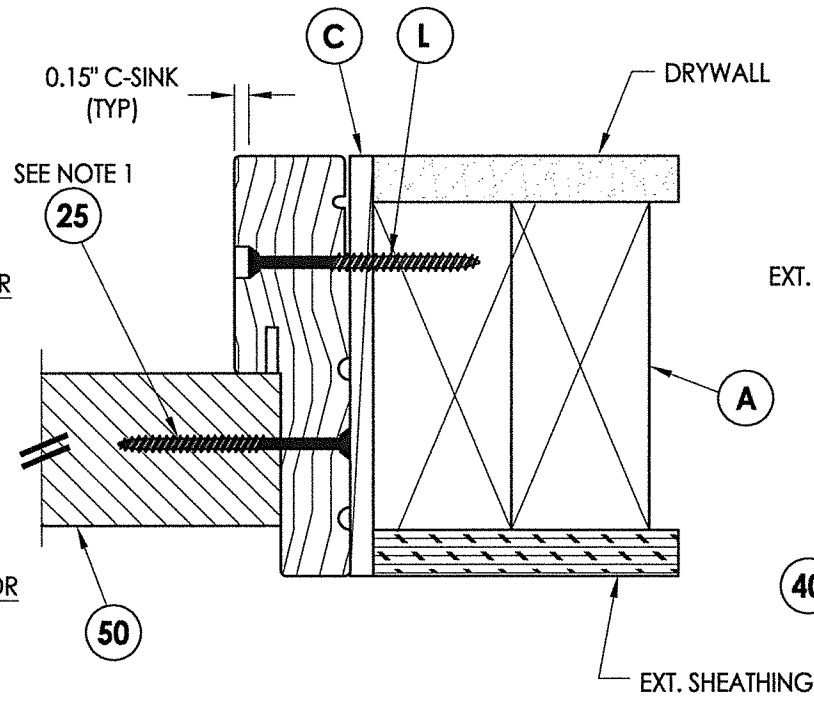
NO.	DATE	REVISIONS
1	9/27/21	UPDATE TO 2018 IBC/IRC CODE
		LFS
		BY

DATE: 10/24/17
SCALE: N.T.S.
DWG. BY: JK
CHK. BY: LFS
DRAWING NO.: TX-4749
SHEET 4 OF 11

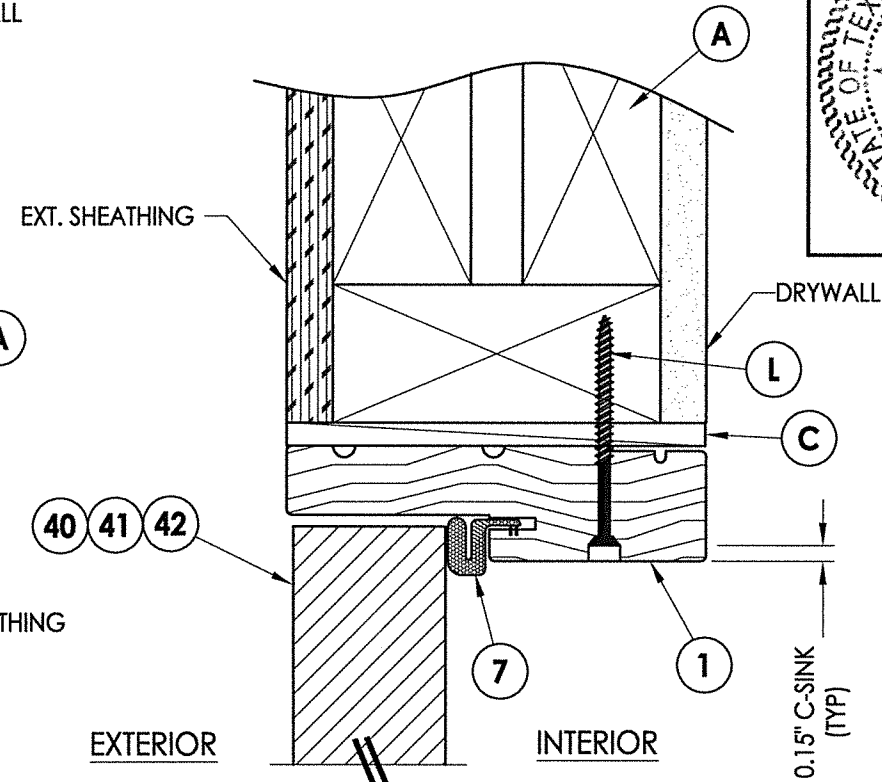
Z:\Clients\Therma Tru PERMANENT B - Texas Dept of Ins\TDI - DR 952 - 68 & 80 Glazed Comp Edge Coastal Impact (TX 4745 - 4750)\C - Drawings\TX-4748-50.dwg



1 HORIZONTAL CROSS SECTION
5 Shown w/ 2X Buck
 Outswing shown (Inswing similar)

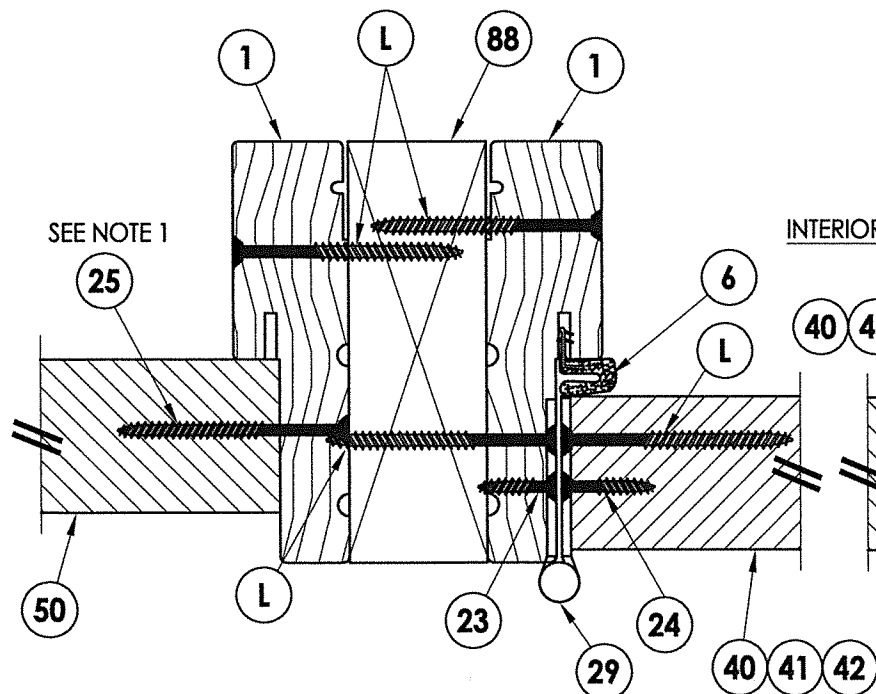


2 HORIZONTAL CROSS SECTION
5 Shown w/ 2X Buck
 Outswing shown (Inswing similar)

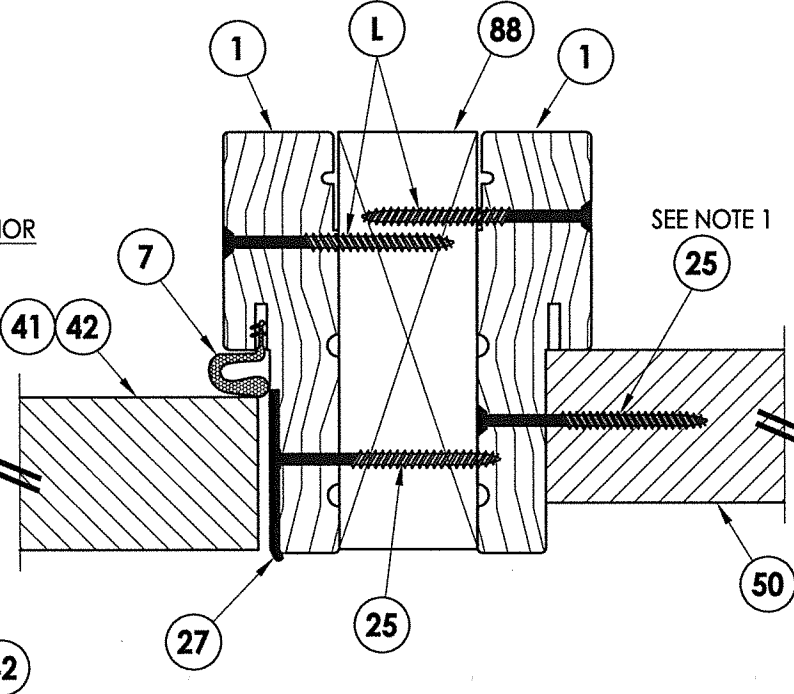


3 VERTICAL CROSS SECTION
5 Shown w/ 2X Buck
 Outswing shown (Inswing similar)

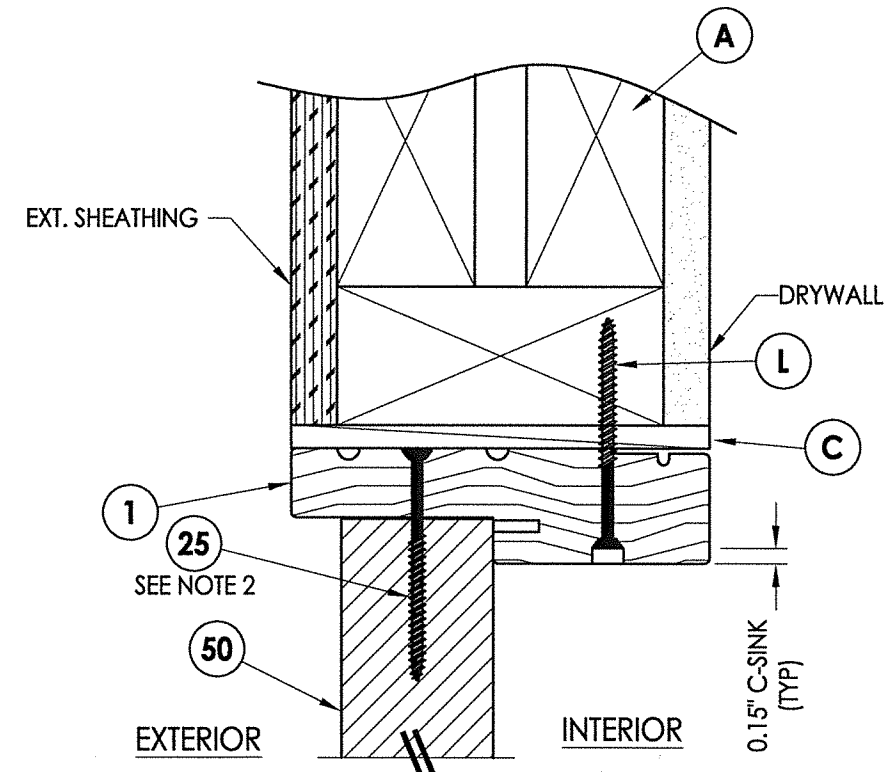
Notes:
 1. Sidelite assembly screws located 6" from each end and 6 more screws equally spaced between (8 screws total per side jamb).
 2. Sidelite assembly screws located 3" from each end & at centerline (3 screws along head jamb).



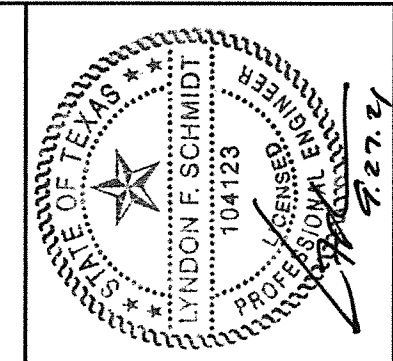
5 HORIZONTAL CROSS SECTION
5 Outswing shown (Inswing similar)



6 HORIZONTAL CROSS SECTION
5 Outswing shown (Inswing similar)



4 VERTICAL CROSS SECTION
5 Shown w/ 2X Buck
 Outswing shown (Inswing similar)



Documents Prepared By: Lyndon F. Schmidt, P.E.
 TEXAS P.E. #104123

RW BUILDING CONSULTANTS, INC.
 P.O. Box 230 Valrico FL 33595
 Phone No.: 813.659.9197

CERTIFICATE OF REGISTRATION # F-11852

PRODUCT:	Therma-TRU FIBERGLASS DOOR
PART OR ASSEMBLY:	HORIZONTAL & VERTICAL CROSS SECTIONS

NO.	DATE	BY
1	9/27/21	LFS
UPDATE TO 2018 IBC/IRC CODE		

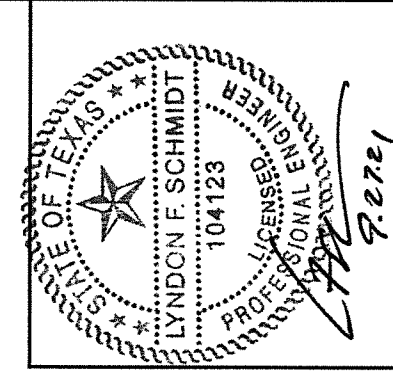
DATE:	10/24/17
SCALE:	N.T.S.
DWG. BY:	JK
CHK. BY:	LFS
DRAWING NO.:	TX-4749
SHEET	5 OF 11

© 2017 R.W. BUILDING CONSULTANTS INC.

Z:\Clients\Therma Tru PERMANENT\B - Texas Dept of Ins\TDI - DR 952 - 68 & 80 Glazed Comp Edge Coastal Impact (TX 4745 - 4750)\C - Drawings\TX-4748-50.dwg

Notes:

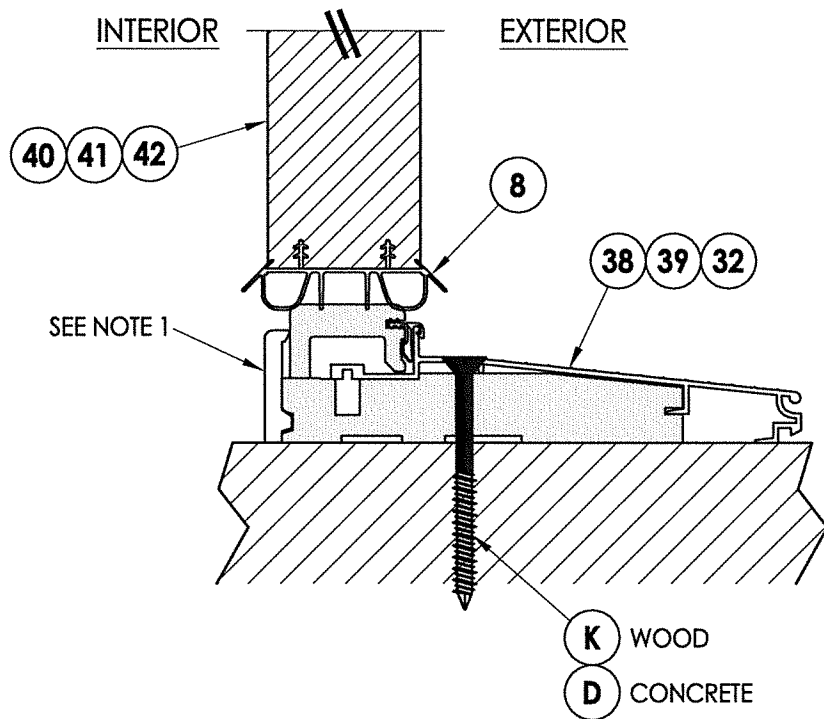
- Sill Item #'s 16, 32, 33, 34, 35, 36, 37, 38 & 39 are attached to jambs w/ (3) #8 X 2-1/2" pfh screws at each end.
Sill Item #'s 17, 18 & 19 are attached to jambs w/ (2) #8 X 2-1/2" pfh screws at each end.
Sill Item #15 is attached to jambs utilizing (2) #10 X 1-1/2" pph screws at each end.
- Sidelite assembly screws located 3" from each end & at centerline (3 screws along sill).



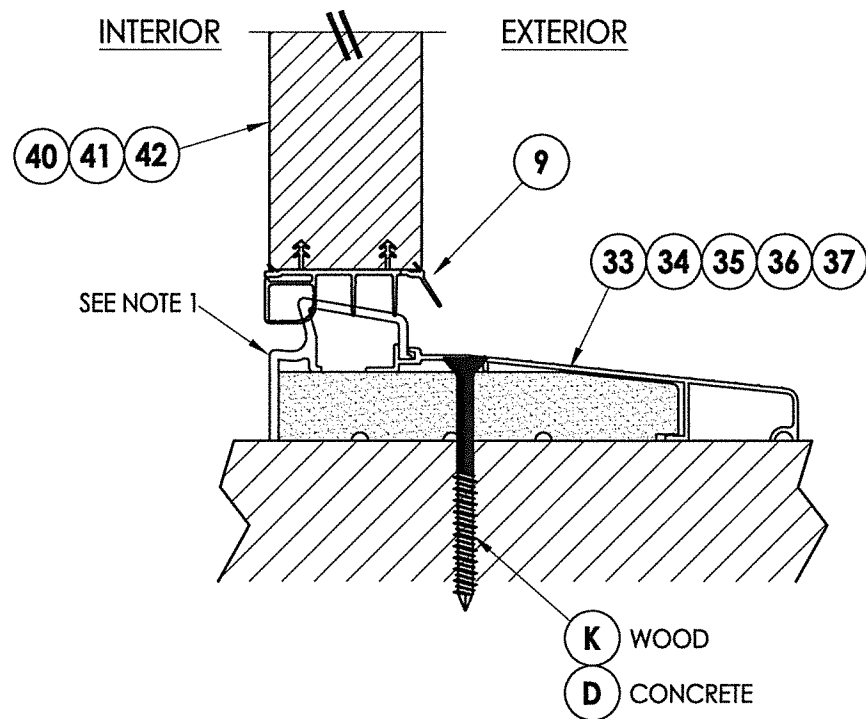
Documents Prepared By: Lyndon F. Schmidt, P.E.
TEXAS P.E. #104123

RW BUILDING CONSULTANTS, INC.
P.O. Box 230 Valrico FL 33595
Phone No.: 813.659.9197

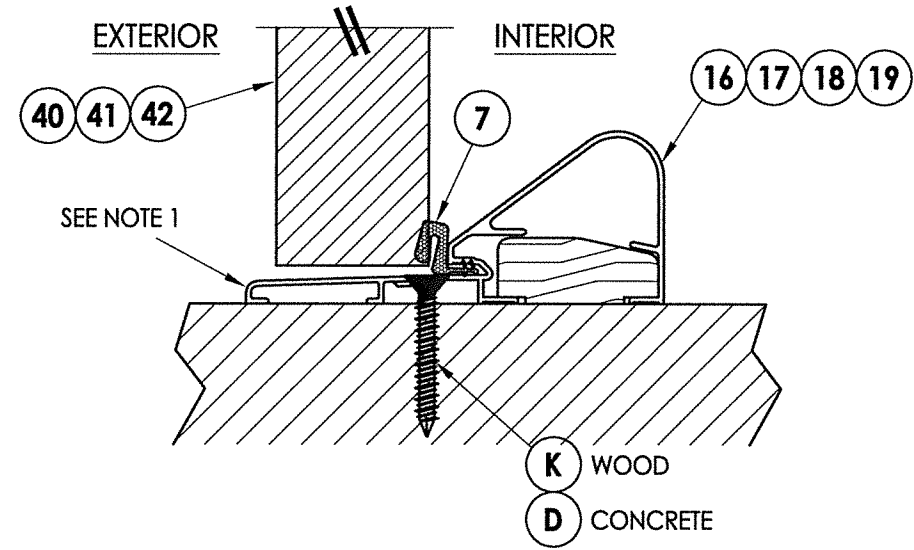
CERTIFICATE OF REGISTRATION # F-11852



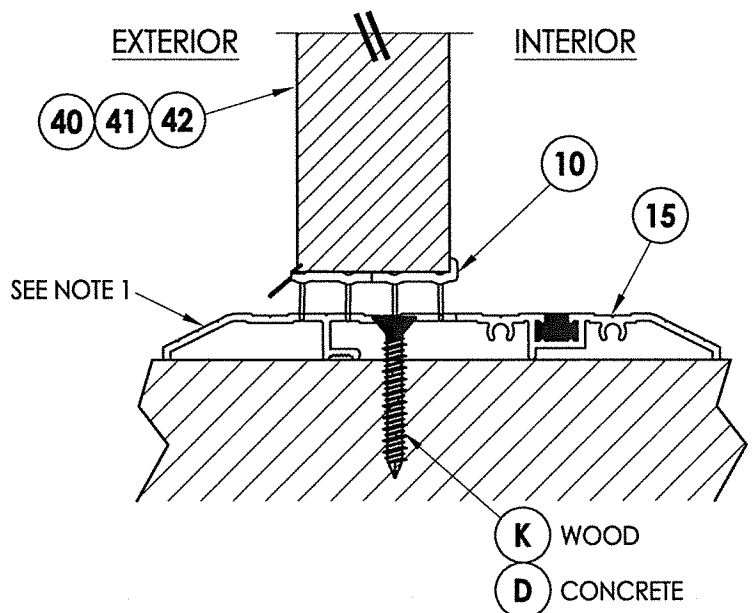
1 VERTICAL CROSS SECTION
6 Inswing Sill



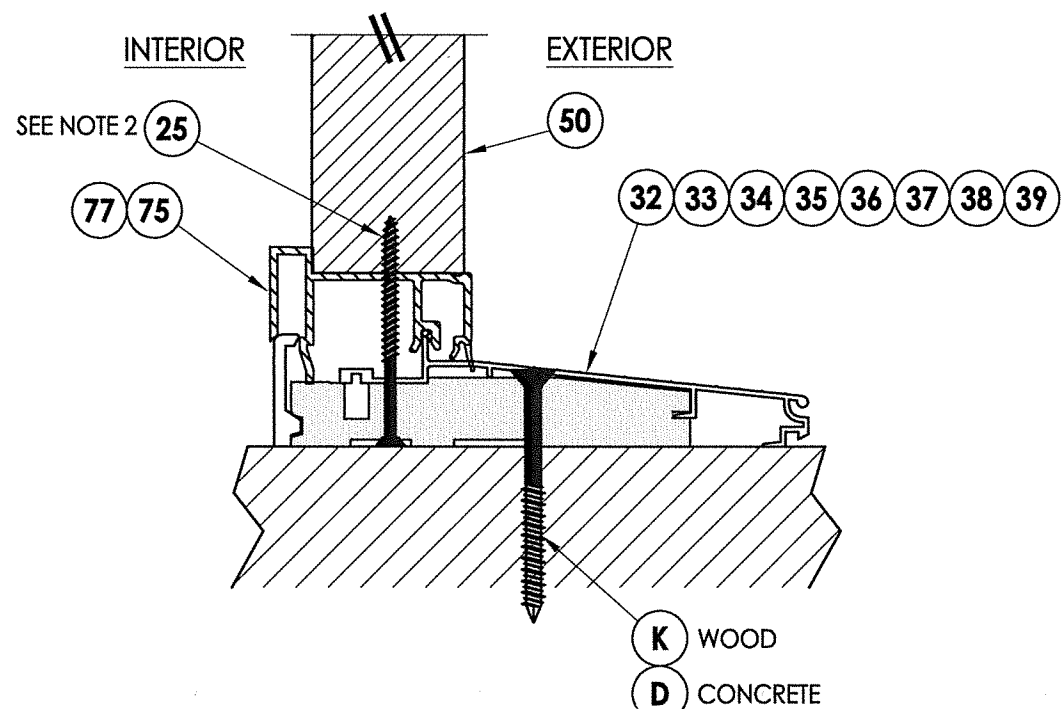
2 VERTICAL CROSS SECTION
6 Inswing Sill



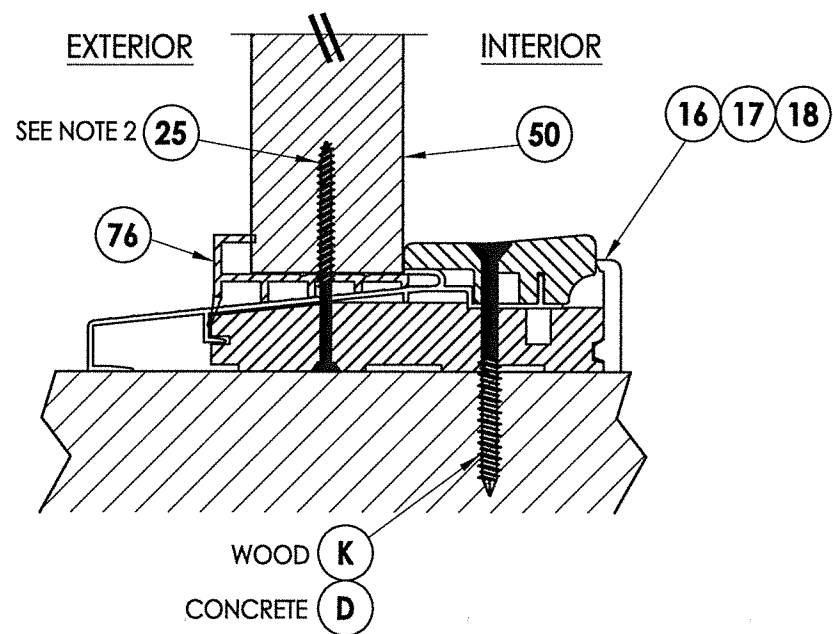
3 VERTICAL CROSS SECTION
6 Outswing Sill



4 VERTICAL CROSS SECTION
6 Public Access Sill



5 VERTICAL CROSS SECTION
6 Inswing Sill



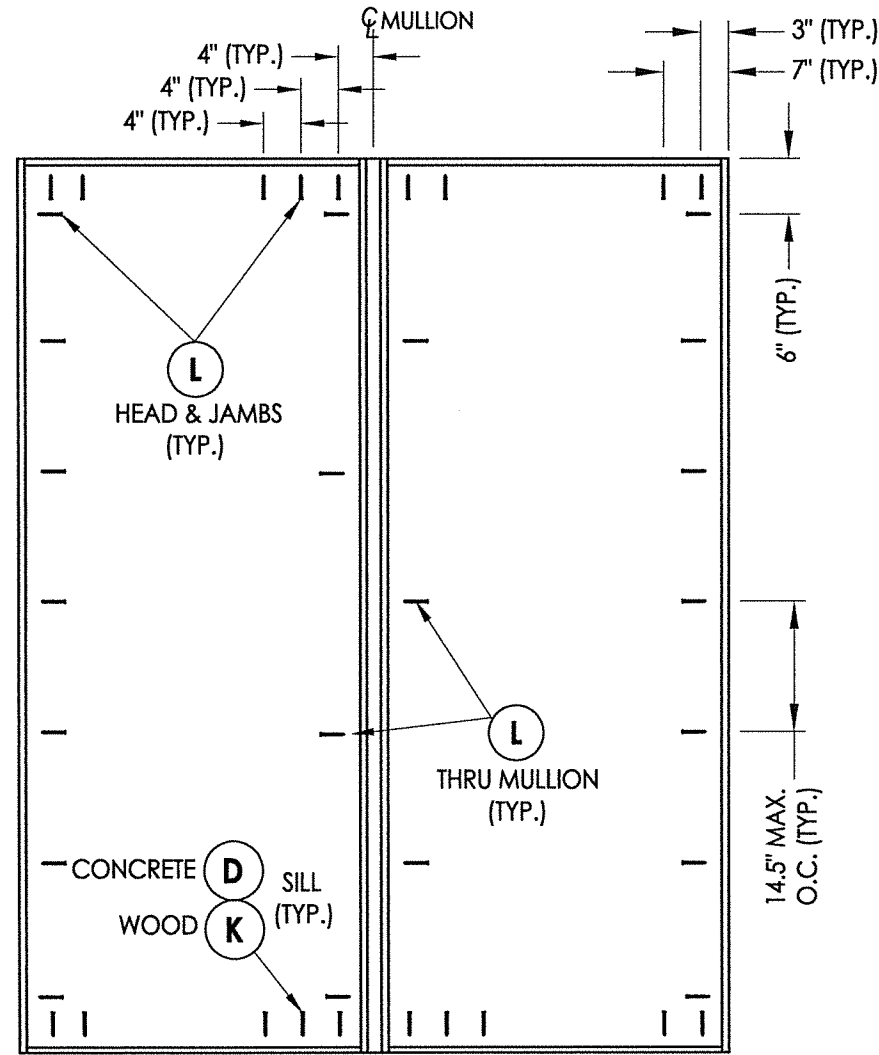
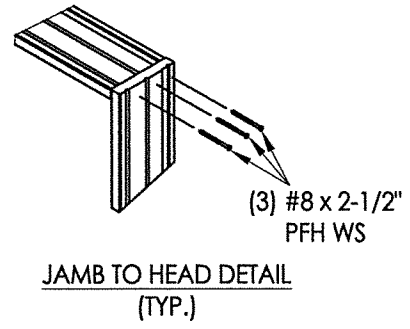
6 VERTICAL CROSS SECTION
6 Outswing Sill

PRODUCT: THERMA-TRU FIBERGLASS DOOR
PART OR ASSEMBLY: VERTICAL CROSS SECTIONS (THRESHOLDS)

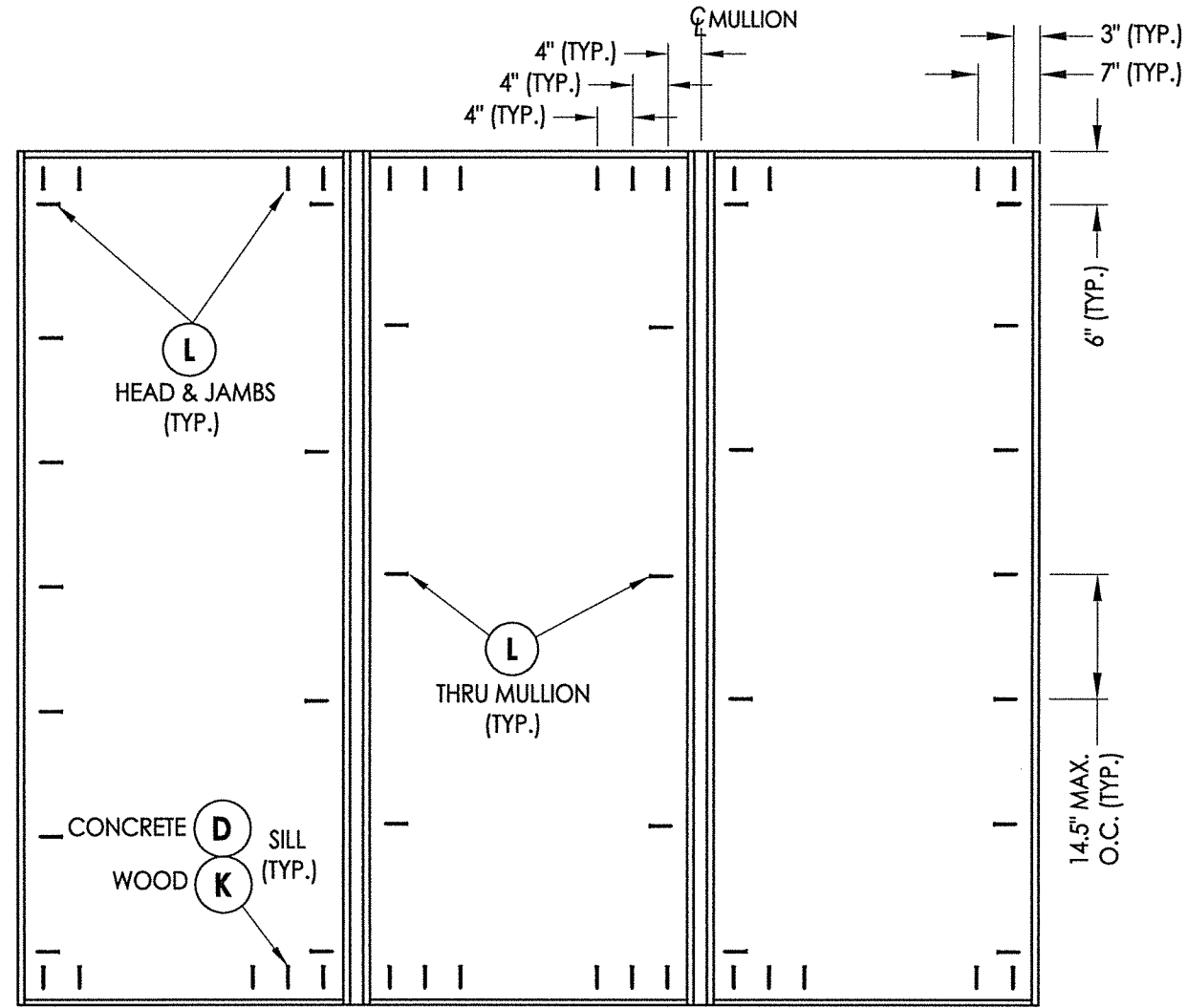
NO.	DATE	REVISIONS	BY
1	9/27/21	UPDATE TO 2018 IBC/IRC CODE	LFS

DATE: 10/24/17
SCALE: N.T.S.
DWG. BY: JK
CHK. BY: LFS
DRAWING NO.: TX-4749
SHEET 6 OF 11

Z:\Clients\Therma Tru PERMANENT\B - Texas Dept of Ins\TDI - DR 952 - 6'8 & 8'0 Glazed Comp Edge Coastal Impact (TX 4745 - 4750)\C - Drawings\TX-4748-50.dwg

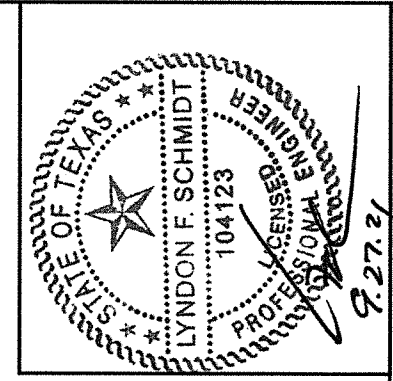


XO/OX



OXO

FRAME ANCHORING

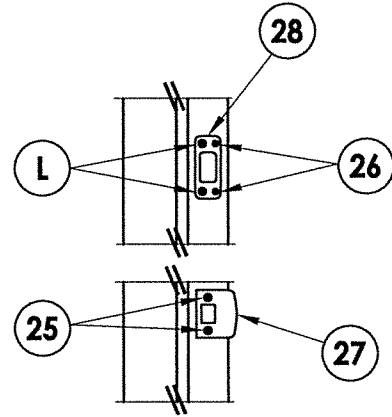


Documents Prepared By: Lyndon F. Schmidt, P.E.
TEXAS P.E. #104123

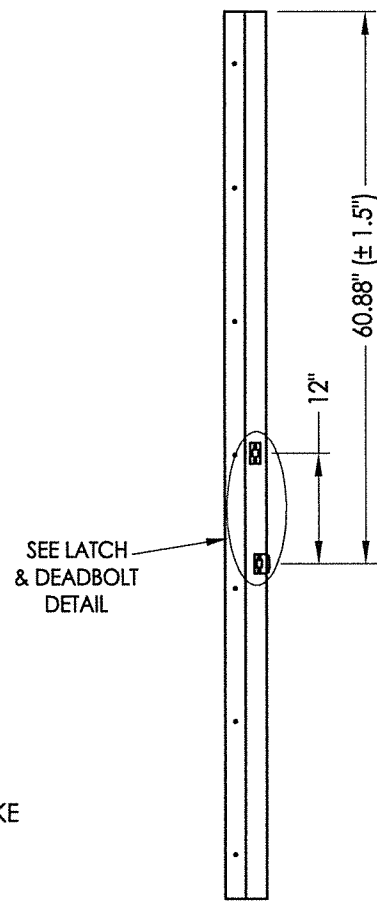
RW BUILDING CONSULTANTS, INC.
P.O. Box 230 Valrico FL 33595
Phone No.: 813.659.9197

CERTIFICATE OF REGISTRATION # F-11852

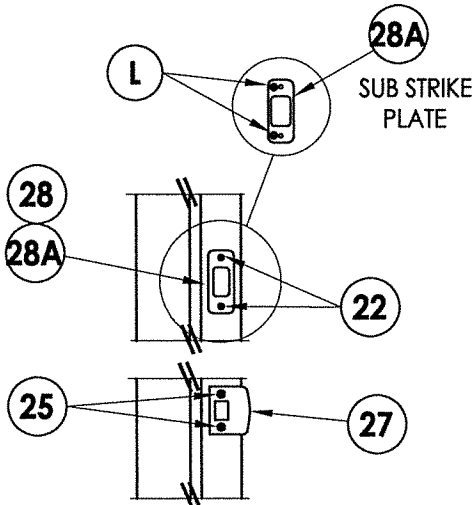
PRODUCT:		THERMA-TRU FIBERGLASS DOOR	
PART OR ASSEMBLY:		FRAME ANCHORING	
NO.	DATE	UPDATE TO 2018 IBC/IRC CODE	BY
1	9/27/21	LFS	BY
REVISIONS			
DATE: 10/24/17			
SCALE: N.T.S.			
DWG. BY: JK			
CHK. BY: LFS			
DRAWING NO.: TX-4749			
SHEET 7 OF 11			



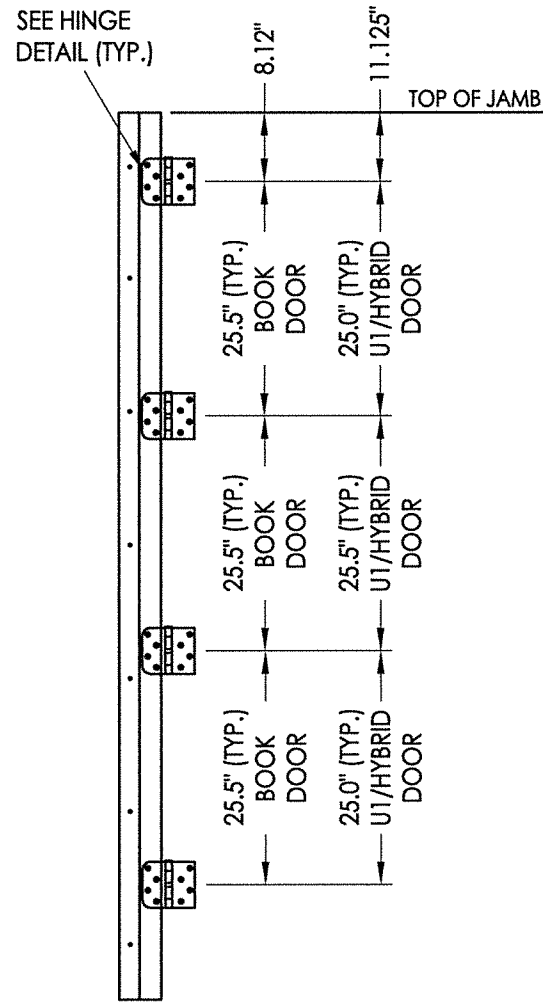
LATCH & DEADBOLT DETAIL
Kwikset



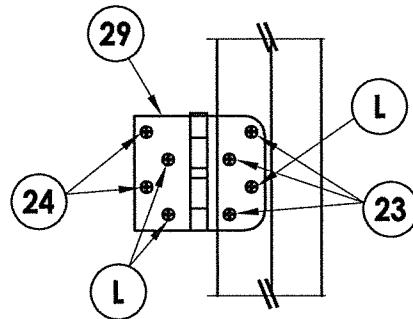
STRIKE JAMB
Latch and Deadbolt



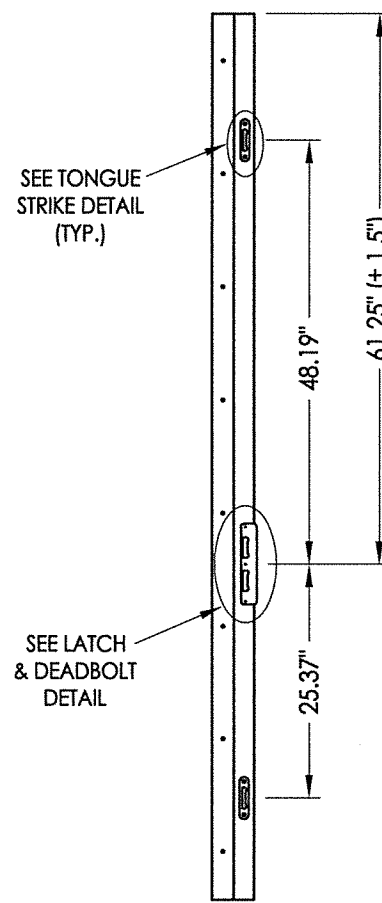
LATCH & DEADBOLT DETAIL
Schlage



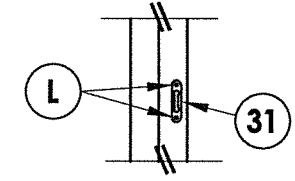
HINGE JAMB



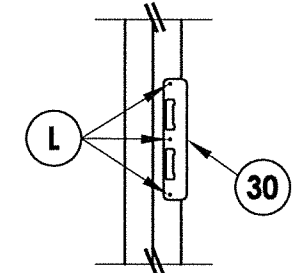
HINGE DETAIL



STRIKE JAMB
Multipoint Lock



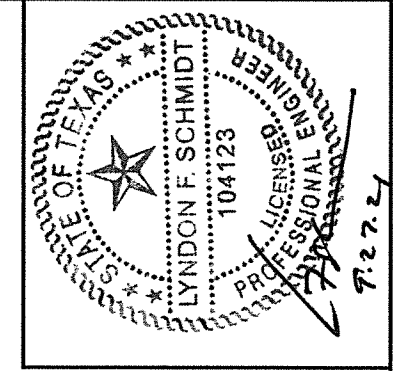
TONGUE STRIKE DETAIL
Multipoint Lock



LATCH & DEADBOLT DETAIL
Multipoint Lock

LATCH & DEADBOLT STRIKE DETAILS

MULTIPOINT LOCK STRIKE DETAILS



Documents Prepared By: Lyndon F. Schmidt, P.E.
TEXAS P.E. #104123

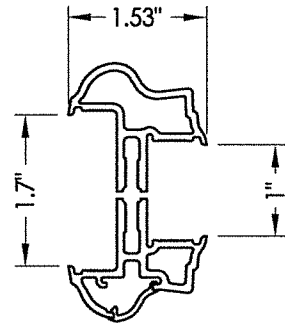
RW BUILDING CONSULTANTS, INC.
P.O. Box 230 Valrico FL 33595
Phone No.: 813.659.9197

CERTIFICATE OF REGISTRATION # F-11852

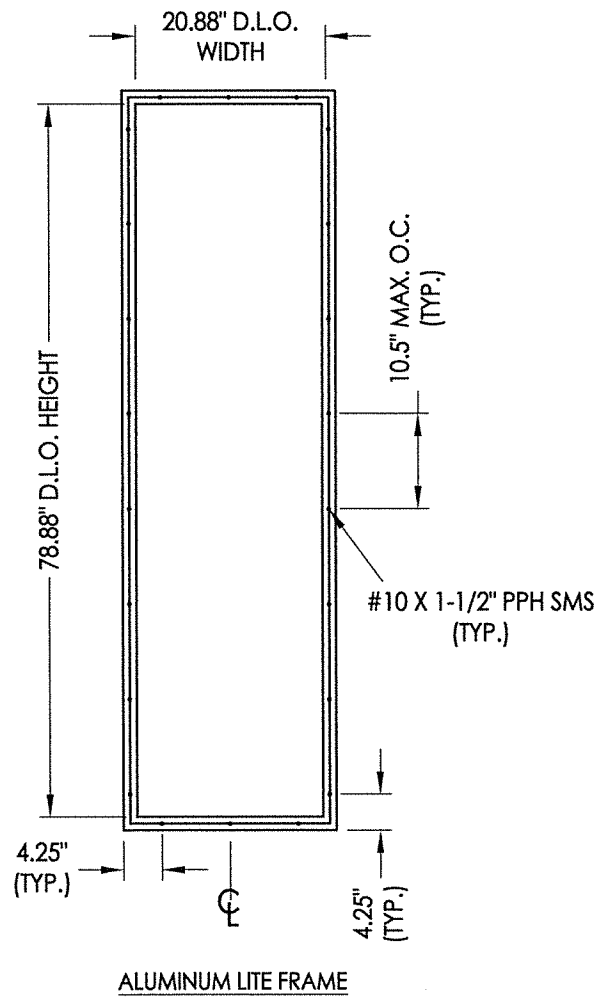
PRODUCT:	THERMA-TRU FIBERGLASS DOOR
PART OR ASSEMBLY:	HARDWARE DETAILS

NO.	DATE	DESCRIPTION	BY
1	9/27/21	UPDATE TO 2018 IBC/IRC CODE	LFS

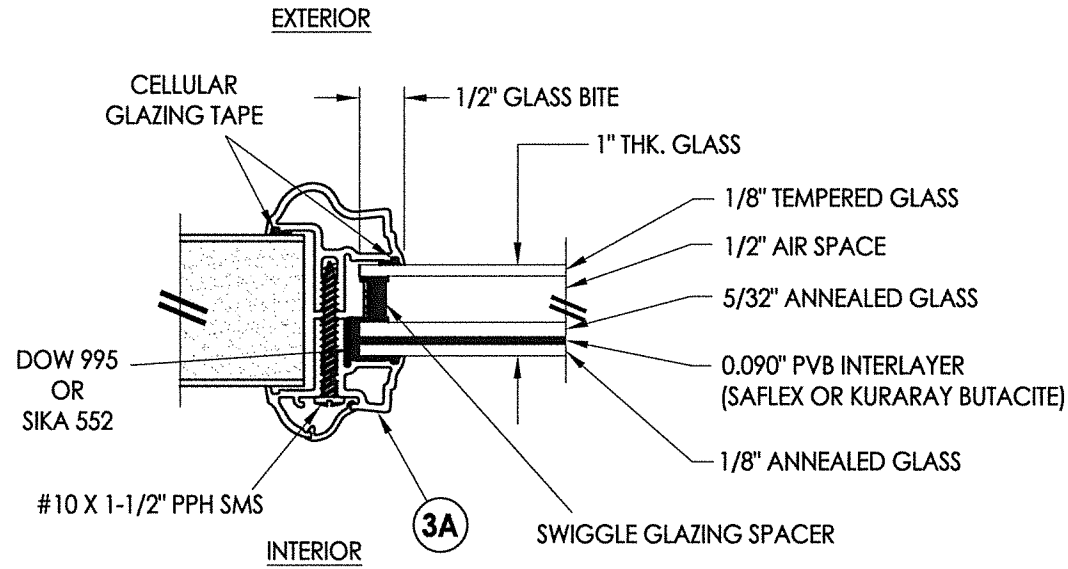
DATE:	10/24/17
SCALE:	N.T.S.
DWG. BY:	JK
CHK. BY:	LFS
DRAWING NO.:	TX-4749
SHEET	8 OF 11



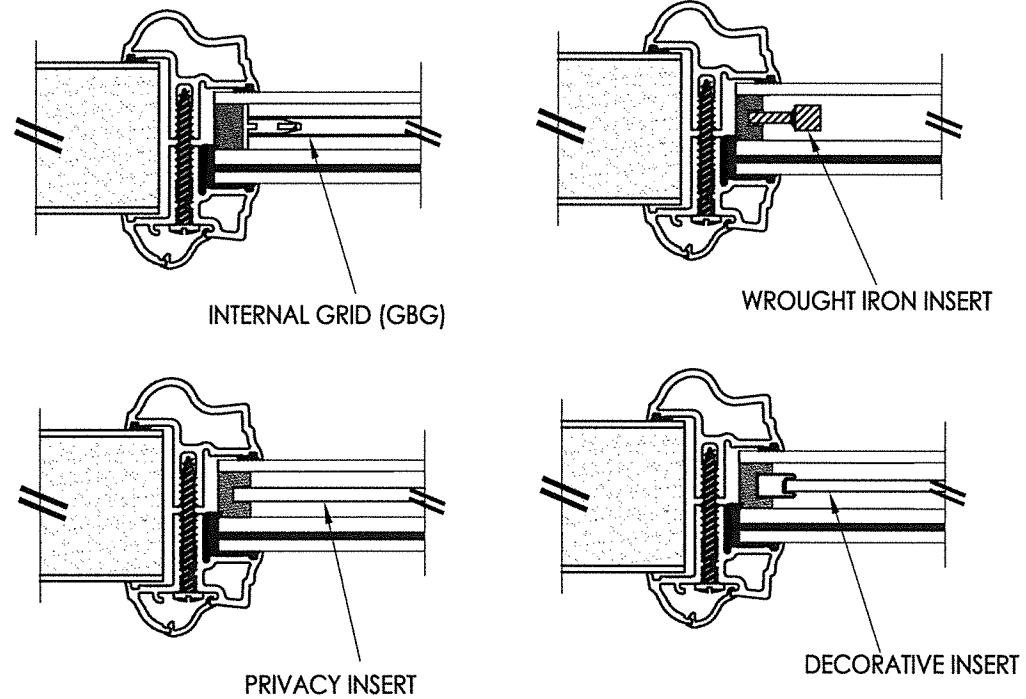
3A ALUMINUM FRAME
Aluminum Impact Lite Frame
Door Panels & Sidelites



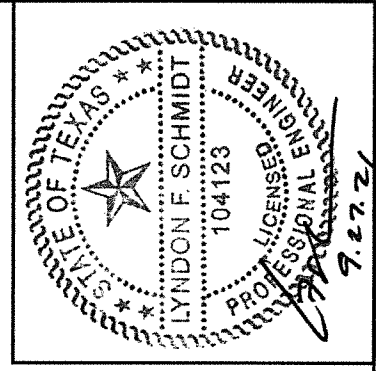
ALUMINUM LITE FRAME



G1 GLAZING DETAIL
Aluminum Impact Lite Frame
Door Panels & Sidelites



1" LAMINATED INSULATED IMPACT GLASS INSERT OPTIONS



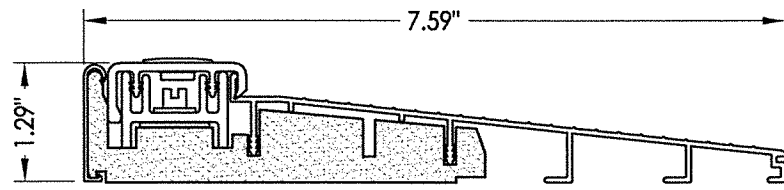
Documents Prepared By: Lyndon F. Schmidt, P.E.
TEXAS P.E. #104123

RW BUILDING CONSULTANTS, INC.
P.O. Box 230 Valrico FL 33595
Phone No.: 813.659.9197

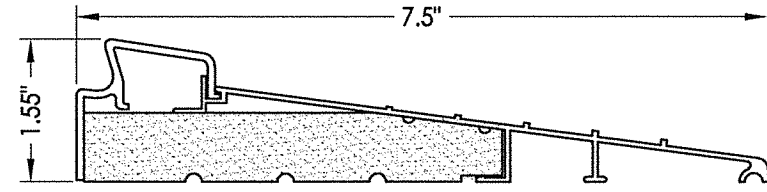
CERTIFICATE OF REGISTRATION # F-11852

PRODUCT:		THERMA-TRU FIBERGLASS DOOR	
PART OR ASSEMBLY:		GLAZING DETAILS	
NO.	DATE	DESCRIPTION	BY
1	9/27/21	UPDATE TO 2018 IBC/IRC CODE	LFS
REVISIONS			
DATE: 8/02/16			
SCALE: N.T.S.			
DWG. BY: JK			
CHK. BY: LFS			
DRAWING NO.: TX-4749			
SHEET 9 of 11			

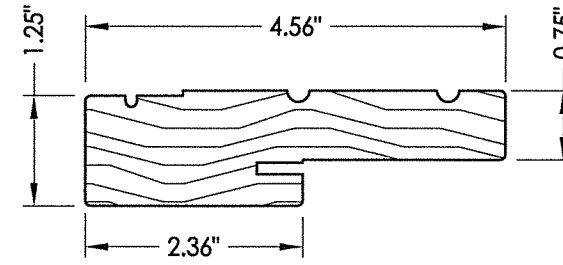
Z:\Clients\Therma Tru PERMANENT B - Texas Dept of Ins\TDI - DR 952 - 6'8 & 8'0 Glazed Comp Edge Coastal Impact (TX 4745 - 4750)\C - Drawings\TX-4748-50.dwg



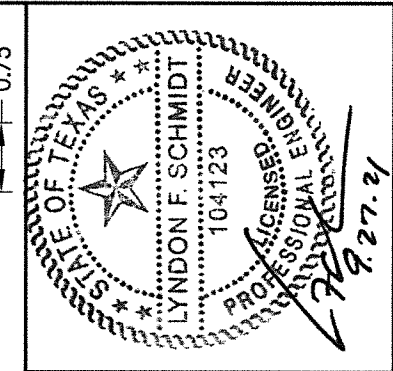
32 INSWING THRESHOLD
Inswing Basic Composite Adjustable Sill 7-1/2"



37 INSWING THRESHOLD
Inswing Basic Fixed 7-1/2" Sill



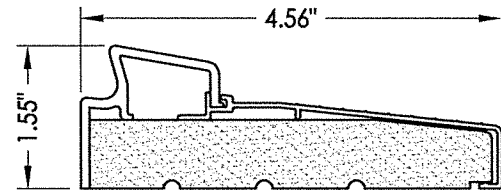
1 WOOD JAMB



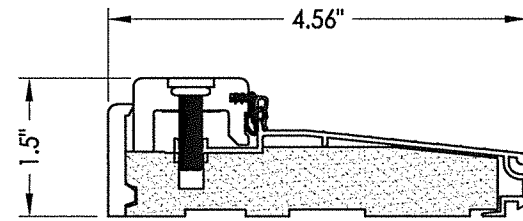
Documents Prepared By: Lyndon F. Schmidt, P.E.
TEXAS P.E. #104123

RW BUILDING CONSULTANTS, INC.
P.O. Box 230 Valrico FL 33595
Phone No.: 813.659.9197

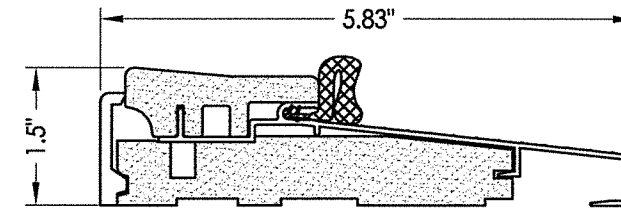
CERTIFICATE OF REGISTRATION # F-11852



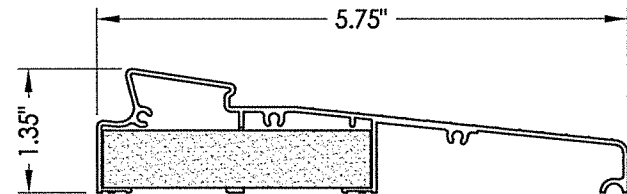
33 INSWING THRESHOLD
Inswing Basic Fixed Sill



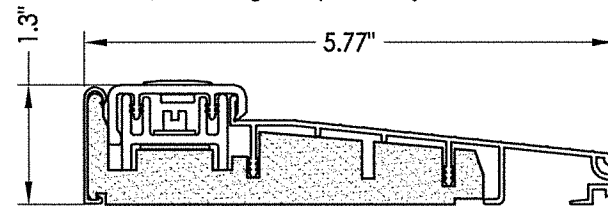
38 INSWING THRESHOLD
Inswing Composite Adjustable Sill



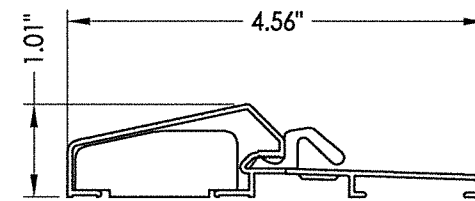
16 OUTSWING THRESHOLD
Composite Sill



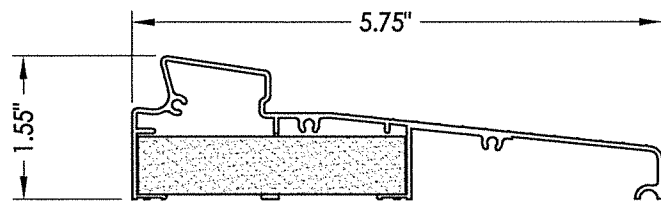
34 INSWING THRESHOLD
Inswing Moderate Climate Sill 1-3/8"



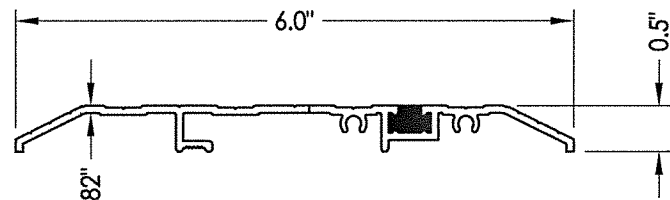
39 INSWING THRESHOLD
Inswing Basic Composite Adjustable Sill



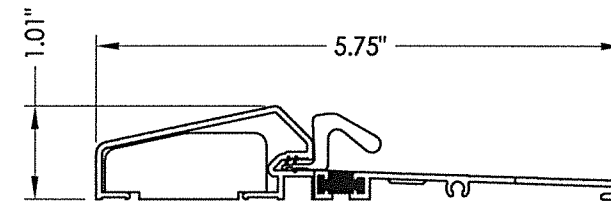
17 OUTSWING THRESHOLD
Composite / Aluminum Sill



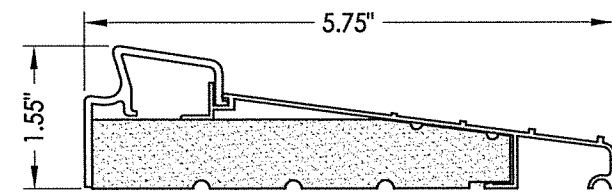
35 INSWING THRESHOLD
Inswing Moderate Climate Sill



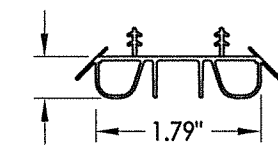
15 PUBLIC ACCESS THRESHOLD



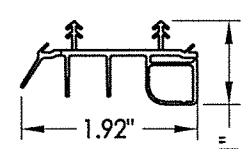
18 OUTSWING THRESHOLD
Composite / Aluminum Sill
(Thermal Break)



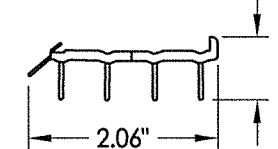
36 INSWING THRESHOLD
Inswing Basic Fixed 5-3/4" Sill



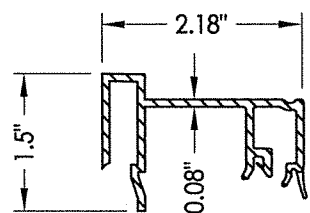
8 SWEEP



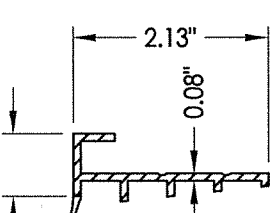
9 SWEEP



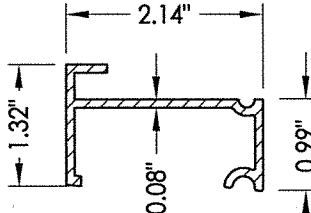
10 SWEEP



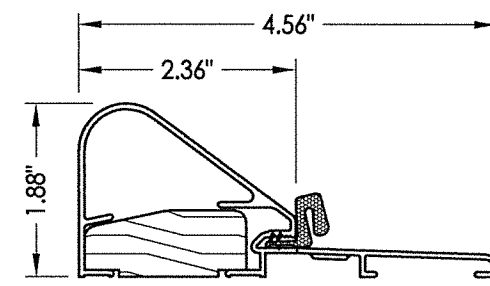
75 SIDELITE SPACER
Inswing



76 SIDELITE SPACER
Outswing



77 SIDELITE SPACER
Inswing
Moderate Climate Threshold



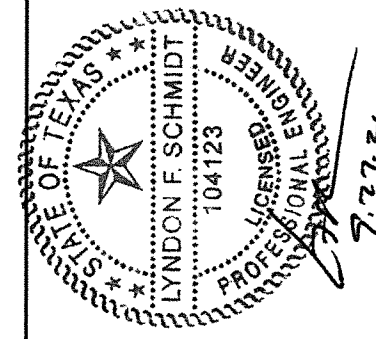
19 COASTAL OUTSWING THRESHOLD
Wood / Aluminum Sill

PRODUCT:		THERMA-TRU FIBERGLASS DOOR	
PART OR ASSEMBLY:		COMPONENTS	
NO.	DATE	BY	REVISIONS
1	9/27/21	LFS	UPDATE TO 2018 IBC/IRC CODE

DATE: 10/24/17
SCALE: N.T.S.
DWG. BY: JK
CHK. BY: LFS
DRAWING NO.: TX-4749
SHEET 10 OF 11

BILL OF MATERIALS

ITEM #	DESCRIPTION	MATERIAL
A	2X FRAMING (SG >= 0.42)	WOOD
C	1/4" MAX. SHIM SPACE	-
D	1/4" PFH DeWALT OR ITW CONCRETE SCREW (1-3/4" MIN. EMBEDMENT)	STEEL
K	#12 PFH WOOD SCREW (1-1/2" MIN. EMBEDMENT)	STEEL
L	#10 X 2-1/2" PFH WOOD SCREW (1.15" MIN. EMBEDMENT)	STEEL
1	JAMB (FINGER JOINT PINE)	WOOD
6	WEATHERSTRIP (MEDIUM REACH)	FOAM
7	WEATHERSTRIP (LONG REACH)	FOAM
8	SWEEP	VINYL
9	SWEEP (USE w/ MODERATE CLIMATE THRESHOLD)	VINYL
10	SWEEP (USE w/ PUBLIC ACCESS THRESHOLD)	VINYL
15	PUBLIC ACCESS THRESHOLD	ALUM
16	OUTSWING THRESHOLD	ALUM/COMP
17	OUTSWING THRESHOLD	ALUM/COMP
18	OUTSWING THRESHOLD	ALUM/COMP
19	COASTAL OUTSWING THRESHOLD	ALUM/WOOD
22	#8 x 3/4" PFH WOOD SCREW	STEEL
23	#10 x 3/4" PFH WOOD SCREW	STEEL
24	#10 x 1" PFH WOOD SCREW	STEEL
25	#8 x 2-1/2" PFH WOOD SCREW	STEEL
26	#8 x 5/8" PFH WOOD SCREW	STEEL
27	LATCH STRIKE PLATE	STEEL
28	DEADBOLT SUB STRIKE PLATE	STEEL
28A	DEADBOLT SUB STRIKE PLATE	STEEL
29	4" X 4" HINGE	STEEL
30	LATCH & DEADBOLT STRIKE PLATE (TONGUE SYSTEM)	ALUM/COMP
31	MULTIPOINT STRIKE PLATE (TONGUE SYSTEM)	ALUM/COMP
32	INSWING THRESHOLD	ALUM/COMP
33	INSWING THRESHOLD	ALUM/COMP
34	INSWING THRESHOLD	ALUM/COMP
35	INSWING THRESHOLD	ALUM/COMP
36	INSWING THRESHOLD	ALUM/COMP
37	INSWING THRESHOLD	ALUM/COMP
38	INSWING THRESHOLD	ALUM/COMP
39	INSWING THRESHOLD	ALUM/COMP
40	DOOR PANEL (BOOK)	-
41	DOOR PANEL (HYBRID)	-
42	DOOR PANEL (U1)	-
50	SIDELITE	-
75	SIDELITE SPACER (INSWING)	PVC
76	SIDELITE SPACER (OUTSWING)	PVC
77	SIDELITE SPACER (INSWING) - MODERATE CLIMATE SILL	PVC
88	2X MULLION (SG >= 0.55)	WOOD



Documents Prepared By: Lyndon F. Schmidt, P.E.
TEXAS P.E. #104123

RW BUILDING CONSULTANTS, INC.
P.O. Box 230 Valrico FL 33595
Phone No.: 813.659.9197

CERTIFICATE OF REGISTRATION # F-11852

PRODUCT: THERMA-TRU
FIBERGLASS DOOR

PART OR ASSEMBLY:
BILL OF MATERIALS

NO.	DATE	DESCRIPTION	BY
1	9/27/21	UPDATE TO 2018 IBC/IRC CODE	LFS

DATE: 10/24/17
SCALE: N.T.S.
DWG. BY: JK
CHK. BY: LFS
DRAWING NO.: TX-4749
SHEET 11 OF 11

CONCRETE ANCHOR NOTES:

- Concrete anchor locations at the corners may be adjusted to maintain the min. edge distance to mortar joints.
- Concrete anchor locations noted as "MAX. ON CENTER" must be adjusted to maintain the min. edge distance to mortar joints, additional concrete anchors may be required to ensure the "MAX. ON CENTER" dimension are not exceeded.
- Concrete anchor table:

ANCHOR TYPE	ANCHOR SIZE	MIN. EMBEDMENT	MIN. CLEARANCE TO MASONRY EDGE	MIN. CLEARANCE TO ADJACENT ANCHOR
ITW TAPCON®	1/4"	1-3/4"	2"	4"
DeWALT ULTRACON+®	1/4"	1-3/4"	1"	4"

WOOD SCREW INSTALLATION NOTES:

- Maintain a minimum 5/8" edge distance, 1" end distance, & 1" o.c. spacing of wood screws to prevent the splitting of wood.