

THERMA-TRU® DOORS

Fiber-Classic® & Smooth-Star®

COMPOSITE EDGE OPAQUE FIBERGLASS SINGLE DOOR IN SWING/OUT SWING "IMPACT"

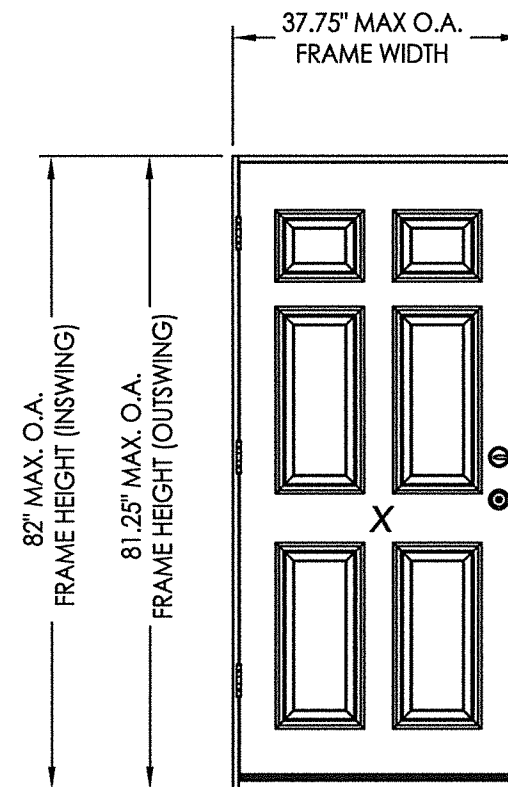
EVALUATED FOR USE IN THE STATE OF TEXAS

TDI DR-951

The Fiberglass Door system described herein complies with the 2018 International Residential Code (IRC), Sections R301 & R609 and the 2018 International Building Code (IBC), Sections 1404.13, 1609, 1709.5, 2403 and 2404 subject to the following conditions:

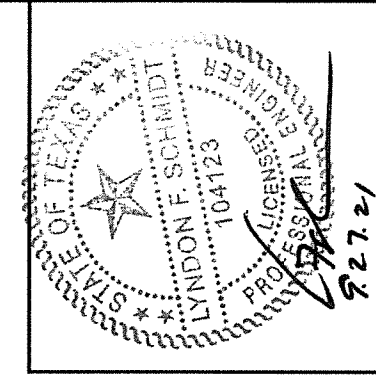
1. Anchors shall be as listed and spaced as shown in the details. Anchor embedment to base material shall be beyond wall dressing or stucco.
2. This system has been tested and evaluated as a large missile impact protective system for installation in areas that require wind borne debris protection. This product meets missile level "D" as defined in ASTM E 1996.
3. Allowable design pressure requirements must be equal to or less than the design pressure rating shown in the design pressure chart, sheet 1 of this drawing.
4. Conditions not covered by this drawing are subject to further engineering analysis.
5. Fiber-Classic and Smooth-Star Door & Sidelite panels require the use of "J" part numbers. These door panels must be stained or painted within six months of installation.

TABLE OF CONTENTS	
SHEET #	DESCRIPTION
1	Typical Elevations, Design Pressures & General Notes
2	Door Panel Details
3	Elevations
4	Horizontal & Vertical Cross Sections
5	Vertical Cross Sections (Thresholds)
6	Frame Anchoring & Hardware Details
7	Components
8	Bill of Materials



CONFIGURATION	LOCK HARDWARE	DESIGN PRESSURE (PSF) IN SWING		DESIGN PRESSURE (PSF) OUT SWING	
		POSITIVE	NEGATIVE	POSITIVE	NEGATIVE
X	Latch & Deadbolt	+67.0	-67.0	+67.0	-67.0
X	Multipoint	+50.0	-50.0	+50.0	-50.0

See Sheet 3 for Hardware Specifications



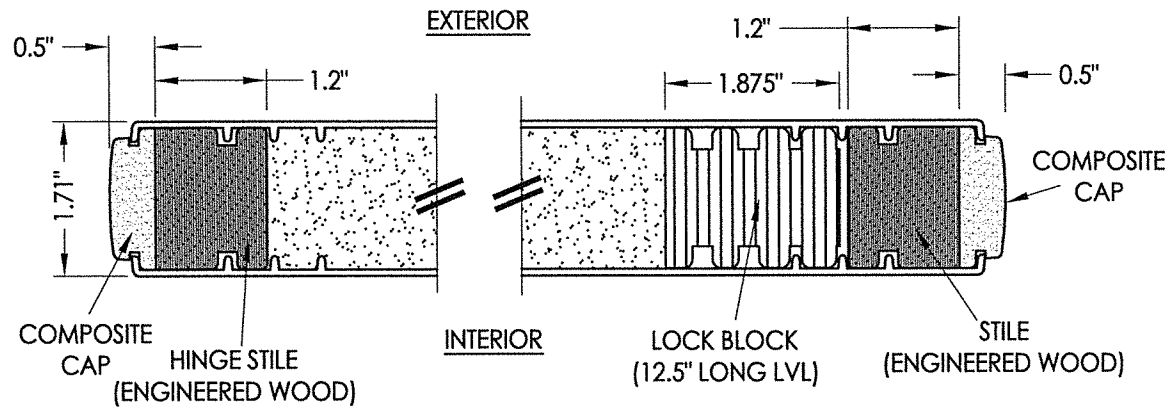
Documents Prepared By: Lyndon F. Schmidt, P.E.
TEXAS P.E. #104123

RW BUILDING CONSULTANTS, INC.
P.O. Box 230 Valrico FL 33595
Phone No.: 813.659.9197

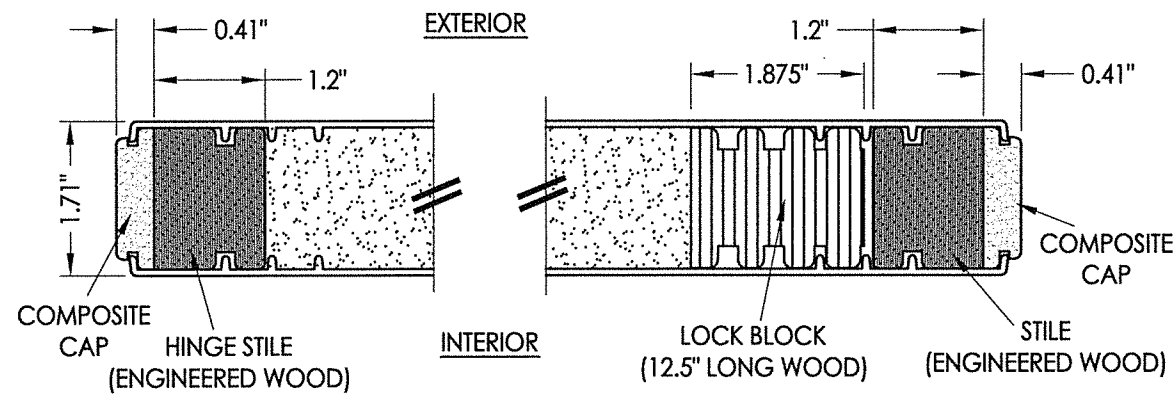
CERTIFICATE OF REGISTRATION # F-11852

PRODUCT:	THERMA-TRU FIBERGLASS DOOR
PART OR ASSEMBLY:	TYPICAL ELEVATION, DESIGN PRESSURES & GENERAL NOTES
DATE	9/27/21
NO.	1
BY	LFS
REVISIONS	UPDATE TO 2018 IBC/IRC CODE
DATE	10/24/17
SCALE:	N.T.S.
DWG. BY:	JK
CHK. BY:	LFS
DRAWING NO.:	TX-4705
SHEET	1 OF 8

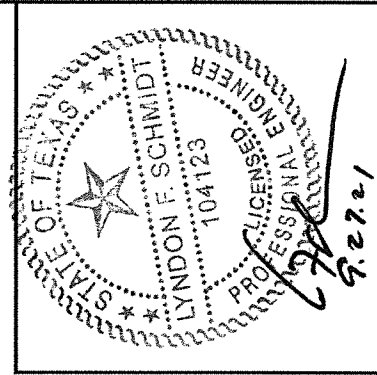
Z:\Clients\Therma Tru PERMANENT\B - Texas Dept of Ins\TDI - DR 951 - 6'8 & 8'0 Opaque Comp Edge Impact (TX 4705 - 4710)\C - Drawings\TX-4705-7.dwg



1
2 HORIZONTAL CROSS SECTION



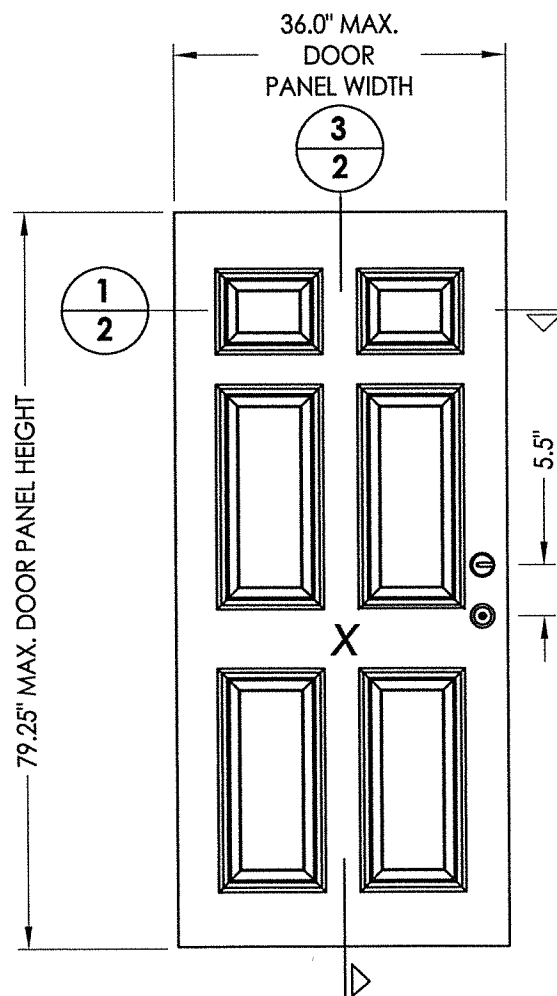
2
2 HORIZONTAL CROSS SECTION



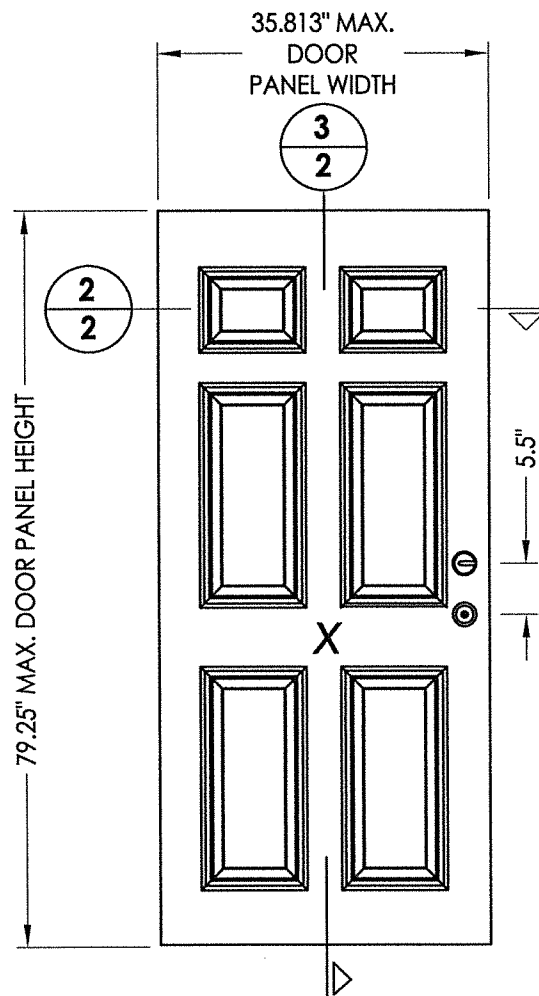
Documents Prepared By: Lyndon F. Schmidt, P.E.
TEXAS P.E. #104123

RW BUILDING CONSULTANTS, INC.
P.O. Box 230 Valrico FL 33595
Phone No.: 813.659.9197

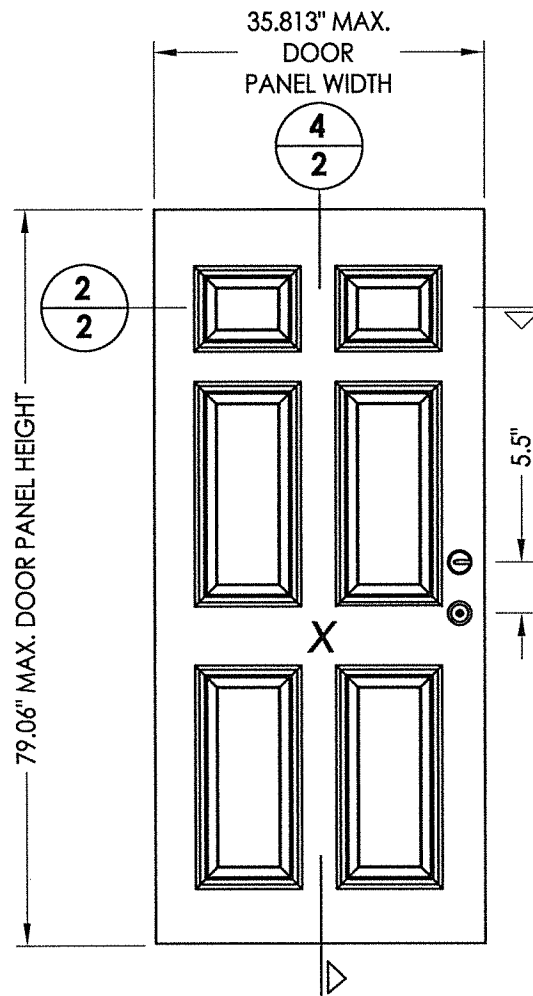
CERTIFICATE OF REGISTRATION # F-11852



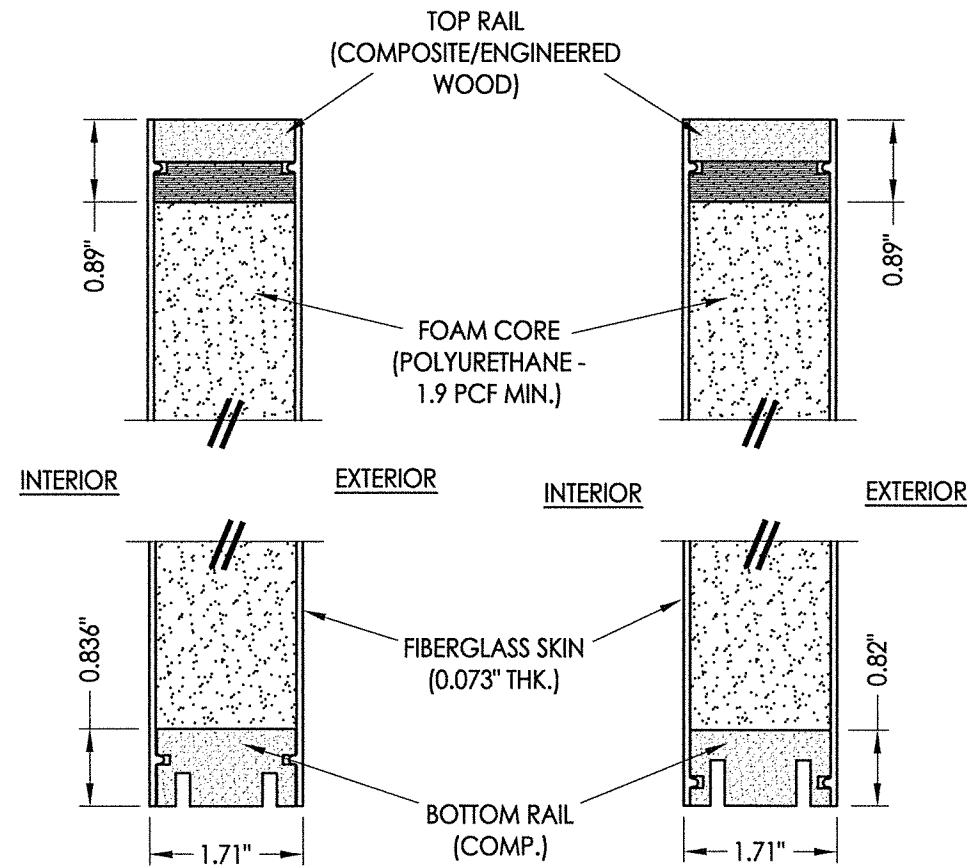
40 DOOR PANEL BOOK



41 DOOR PANEL Hybrid Door



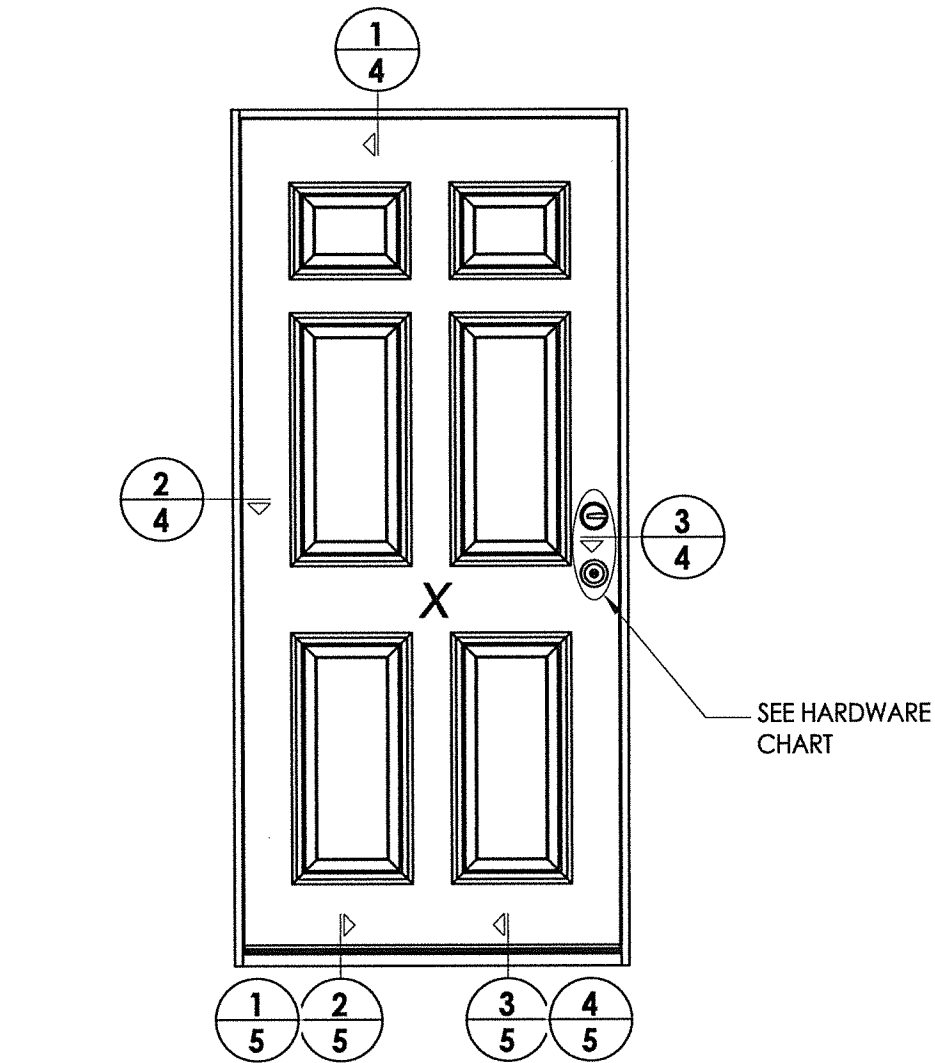
42 DOOR PANEL U1 Door



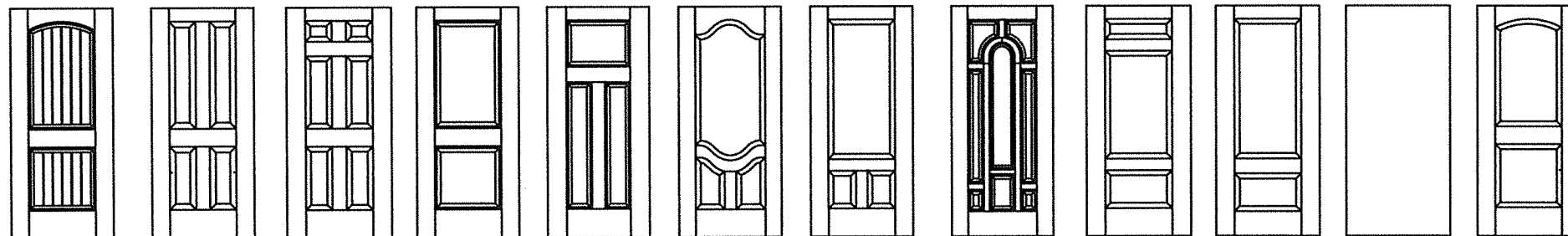
3
2 VERTICAL CROSS SECTION

4
2 VERTICAL CROSS SECTION

PRODUCT: THERMA-TRU FIBERGLASS DOOR	
PART OR ASSEMBLY: DOOR PANEL DETAILS	
NO.	DATE
1	9/27/21
UPDATE TO 2018 IBC/IRC CODE	
LFS	BY
REVISIONS	
DATE: 10/24/17	
SCALE: N.T.S.	
DWG. BY: JK	
CHK. BY: LFS	
DRAWING NO.: TX-4705	
SHEET 2 OF 8	

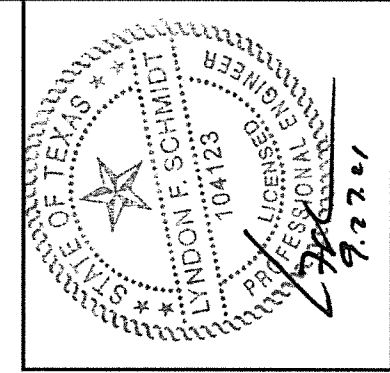


HARDWARE TABLE		
MANUFACTURER	MODEL	
SCHLAGE	KNOB:	F51
	DEADBOLT:	B60
KWIKSET	KNOB:	SIGNATURE SERIES
	DEADBOLT:	SIGNATURE SERIES (980)
HOPPE (THERMA-TRU)	MULTIPOINT : MPDGART (3 pt. Manual Tongue)	



Fiber-Classic/Smooth-Star Door Panel Options

Panel options shown are for illustration and are representative only
(similar opaque panel configurations are allowed)



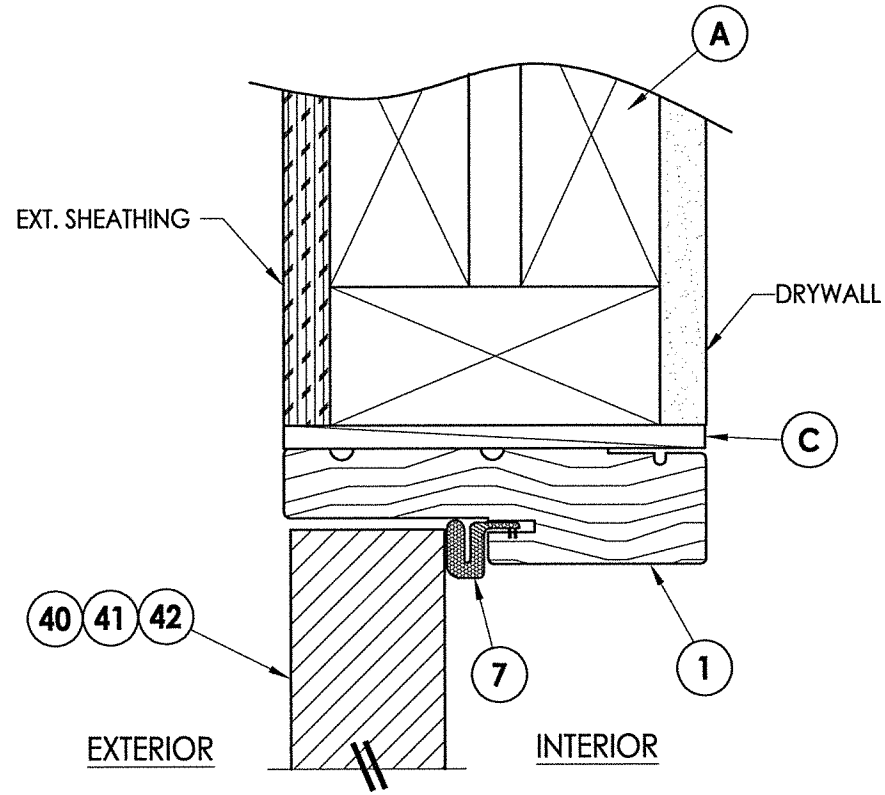
Documents Prepared By: Lyndon F. Schmidt, P.E.
TEXAS P.E. #104123

RW BUILDING CONSULTANTS, INC.
P.O. Box 230 Valrico FL 33595
Phone No.: 813.659.9197

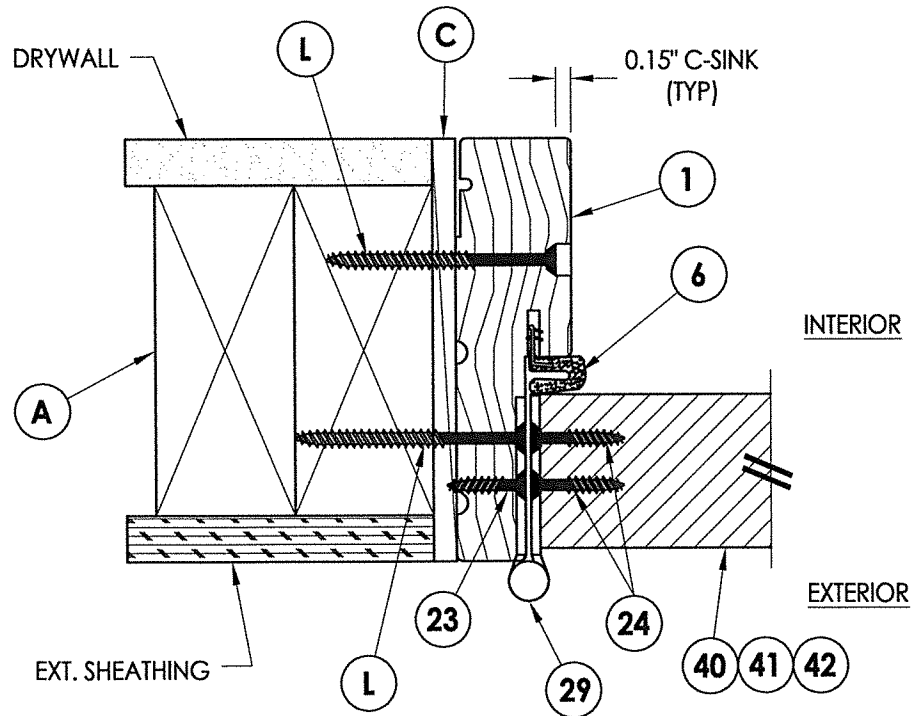
PRODUCT: THERMA-TRU
FIBERGLASS DOOR
PART OR ASSEMBLY:
ELEVATIONS

NO.	DATE	REVISIONS	LFS	BY
1	9/27/21	UPDATE TO 2018 IBC/IRC CODE	LFS	

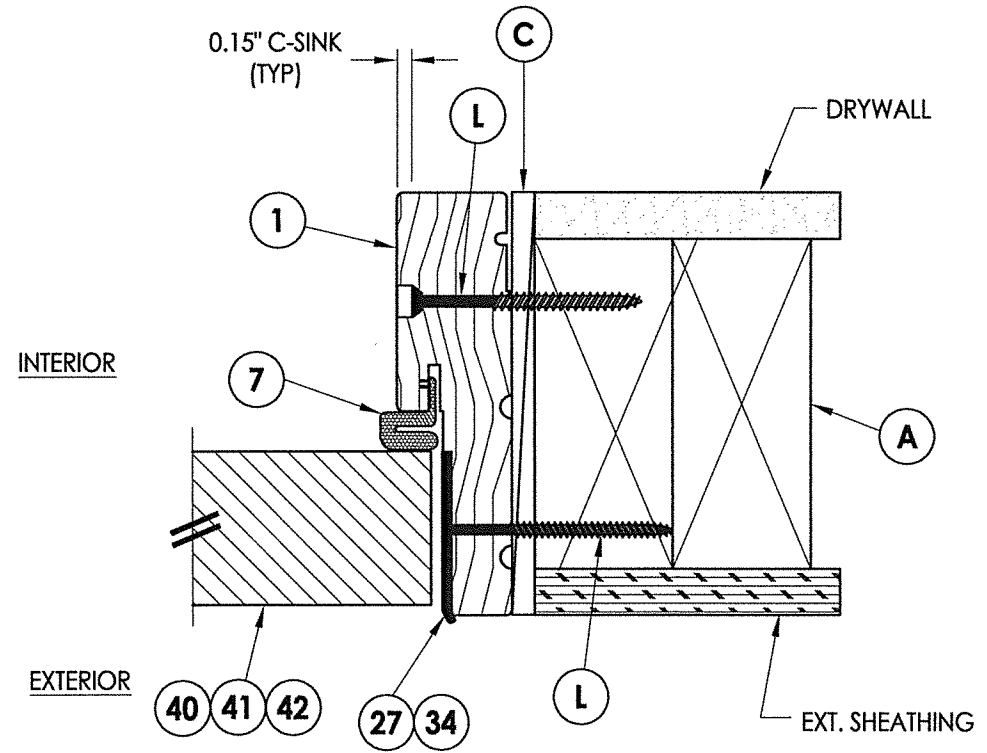
DATE: 10/24/17
SCALE: N.T.S.
DWG. BY: JK
CHK. BY: LFS
DRAWING NO.: TX-4705
SHEET 3 OF 8



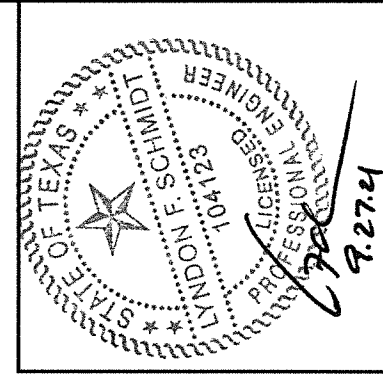
1 VERTICAL CROSS SECTION
4 Outswing shown (Inswing similar)



2 HORIZONTAL CROSS SECTION
4 Outswing shown (Inswing similar)



3 HORIZONTAL CROSS SECTION
4 Outswing shown (Inswing similar)



Documents Prepared By: Lyndon F. Schmidt, P.E.
 TEXAS P.E. #104123

RW BUILDING CONSULTANTS, INC.
 P.O. Box 230 Valrico FL 33595
 Phone No.: 813.659.9197

CERTIFICATE OF REGISTRATION # F-11852

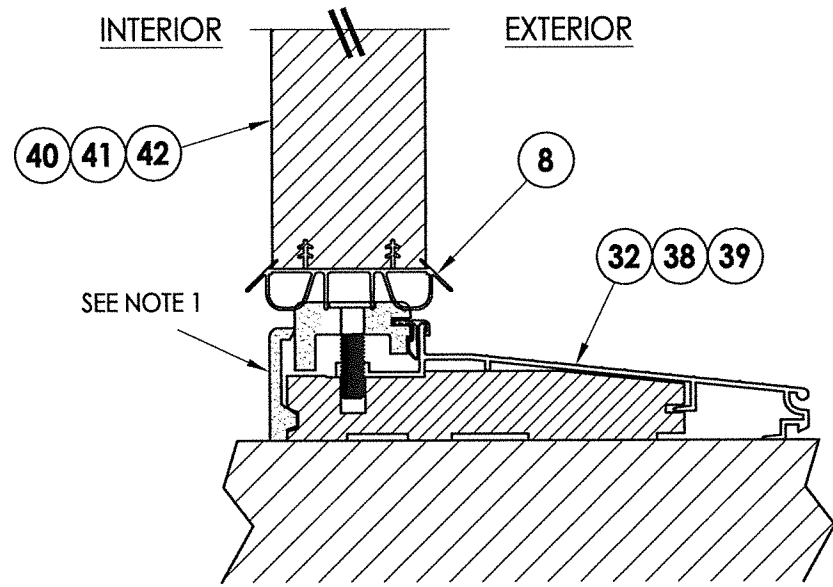
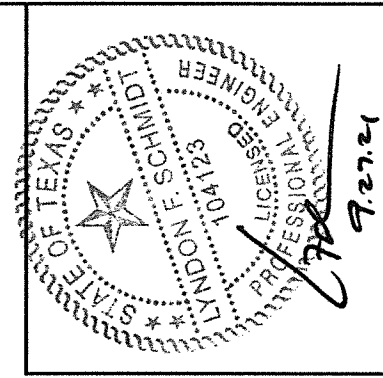
PRODUCT: THERMA-TRU FIBERGLASS DOOR
 PART OR ASSEMBLY: HORIZONTAL & VERTICAL CROSS SECTIONS

NO.	DATE	DESCRIPTION	BY
1	9/27/21	UPDATE TO 2018 IBC/IRC CODE	LFS

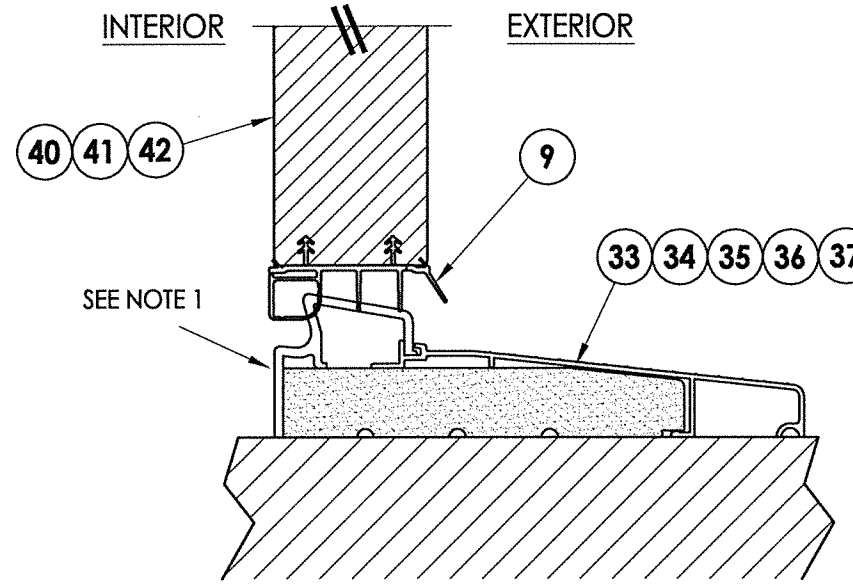
DATE: 10/24/17
 SCALE: N.T.S.
 DWG. BY: JK
 CHK. BY: LFS
 DRAWING NO.: TX-4705
 SHEET 4 OF 8

Notes:

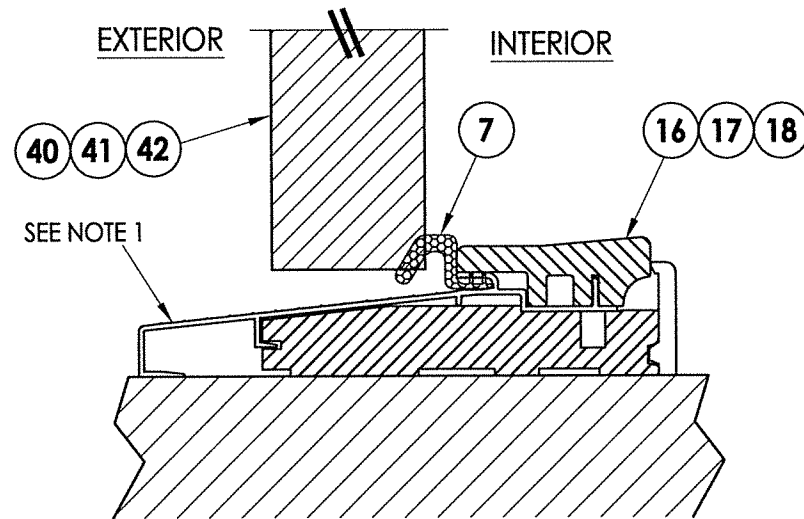
- 1. Sill Item #'s 16, 32, 33, 34, 35, 36, 37, 38 & 39 are attached to jambs w/ (3) #8 X 2-1/2" pfh screws at each end.
- Sill Item #'s 17 & 18 are attached to jambs w/ (2) #8 X 2-1/2" pfh screws at each end.
- Sill Item #15 is attached to jambs utilizing (2) #10 X 1-1/2" pph screws at each end.



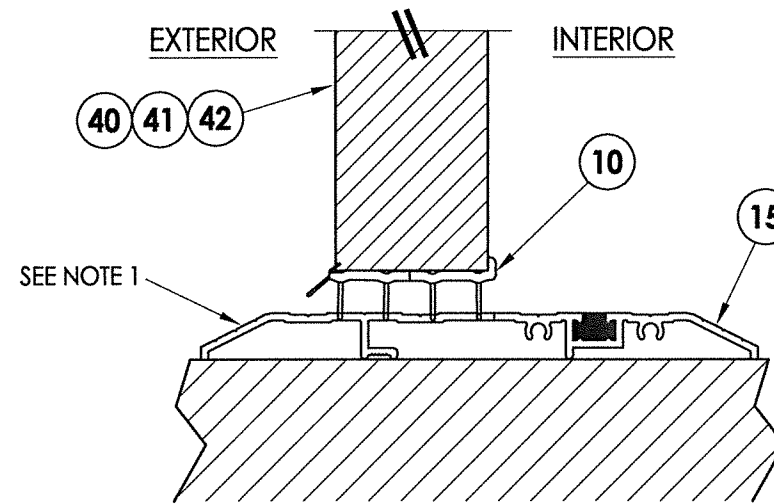
1 VERTICAL CROSS SECTION
5 Inswing Sill



2 VERTICAL CROSS SECTION
5 Inswing Sill



3 VERTICAL CROSS SECTION
5 Outswing Sill (Coastal Sill Shown)



4 VERTICAL CROSS SECTION
5 Public Access Sill

Documents Prepared By: Lyndon F. Schmidt, P.E.
TEXAS P.E. #104123

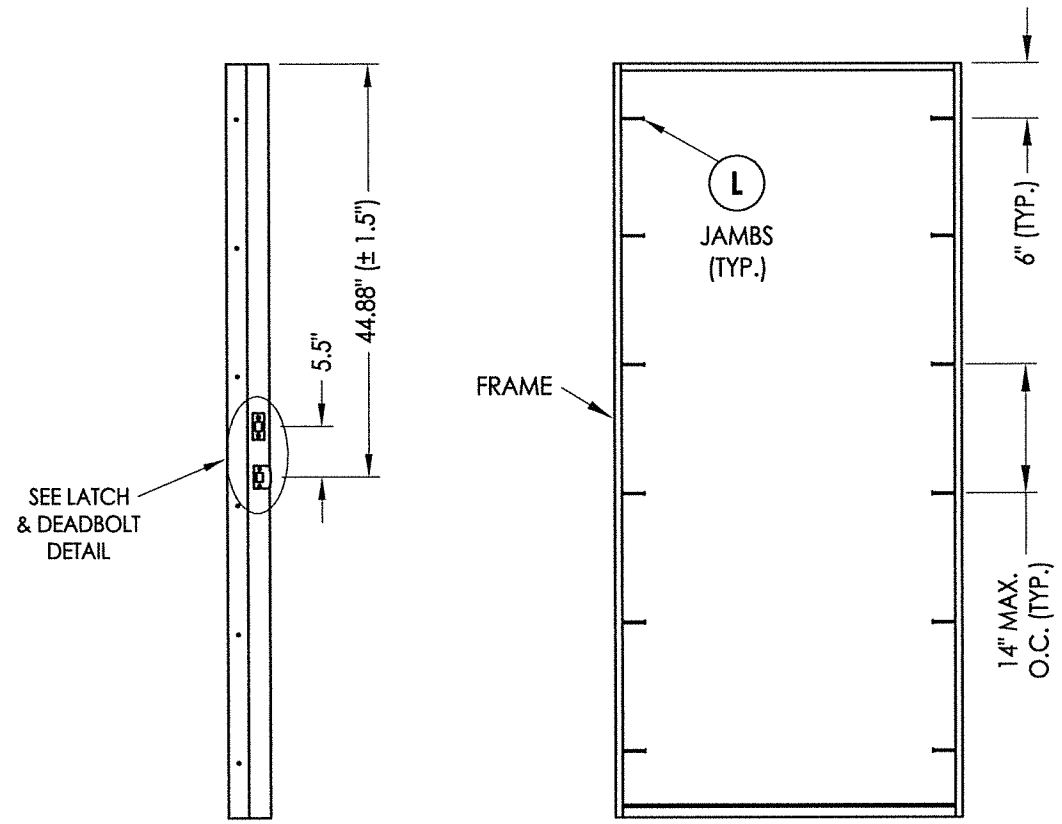
RW BUILDING CONSULTANTS, INC.
P.O. Box 230 Valrico FL 33595
Phone No.: 813.659.9197

CERTIFICATE OF REGISTRATION # F-11852

PRODUCT: THERMA-TRU FIBERGLASS DOOR
PART OR ASSEMBLY: VERTICAL CROSS SECTIONS (THRESHOLDS)

NO.	DATE	DESCRIPTION	BY
1	9/27/21	UPDATE TO 2018 IBC/IRC CODE	LFS

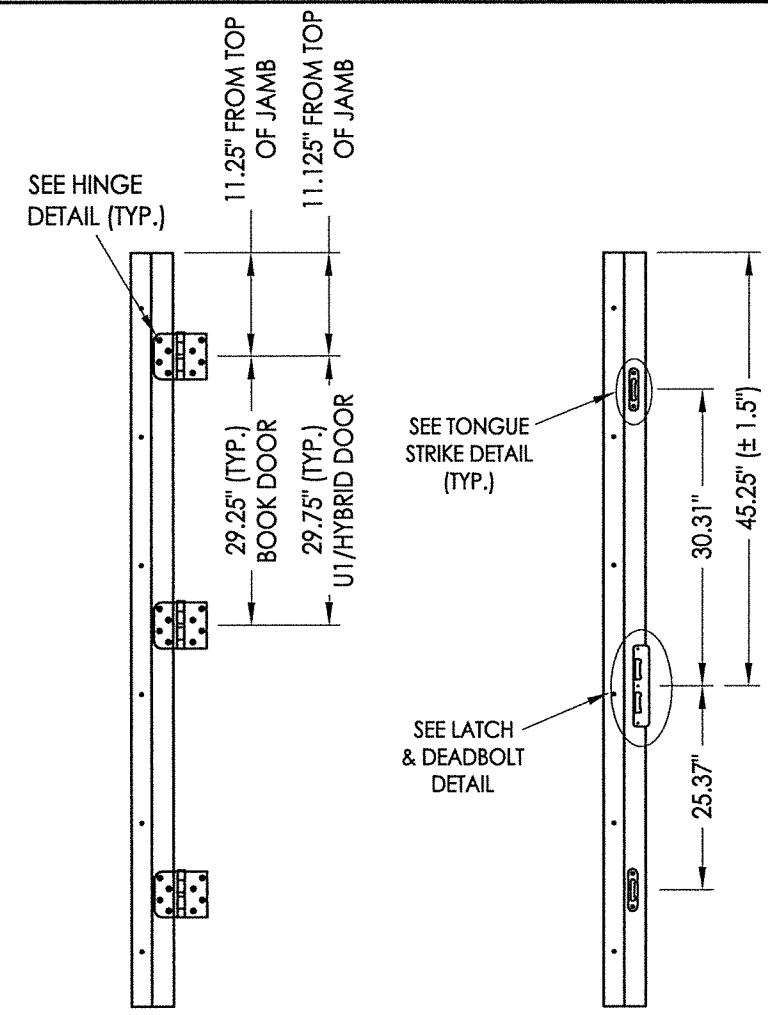
DATE: 10/24/17
SCALE: N.T.S.
DWG. BY: JK
CHK. BY: LFS
DRAWING NO.: TX-4705
SHEET 5 OF 8



STRIKE JAMB
Latch and Deadbolt

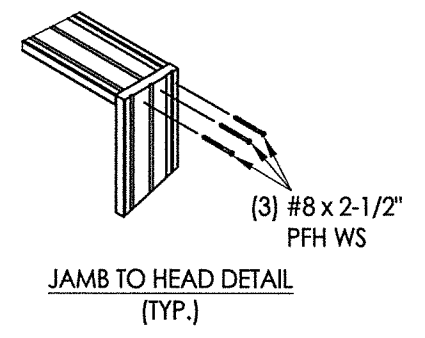
X

FRAME ANCHORING

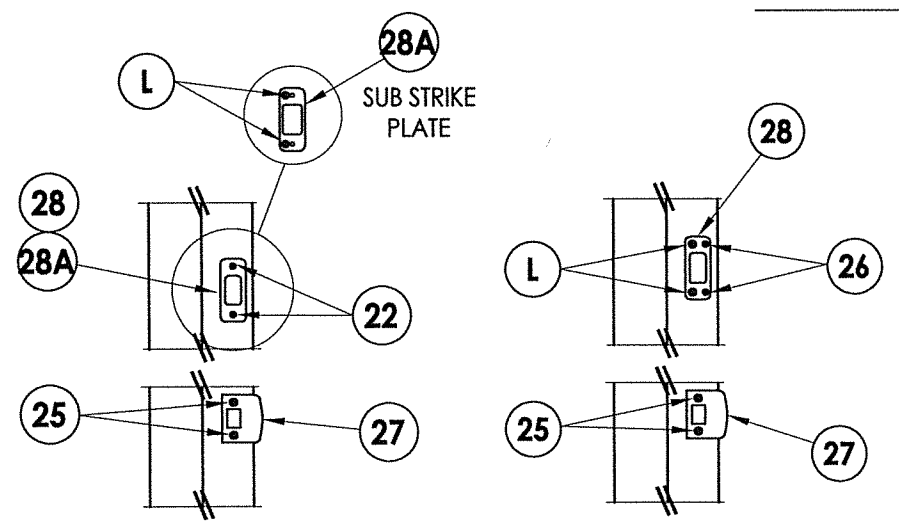
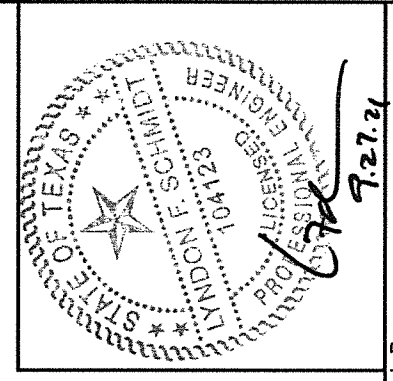


HINGE JAMB

STRIKE JAMB
Multipoint Lock



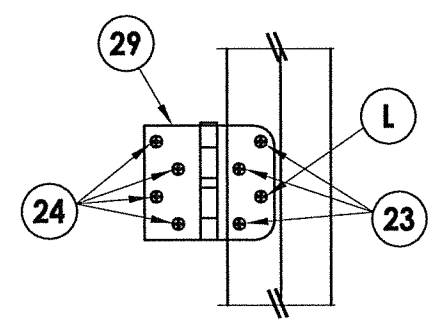
JAMB TO HEAD DETAIL
(TYP.)



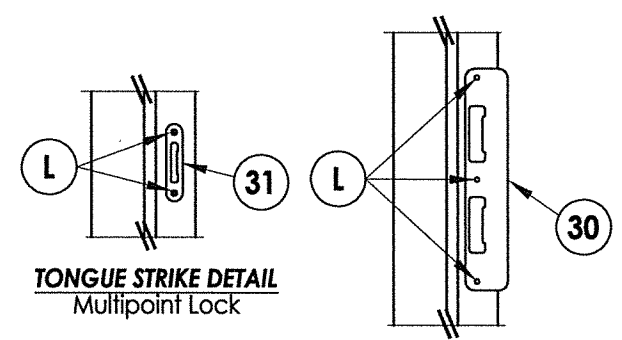
LATCH & DEADBOLT DETAIL
Schlage

LATCH & DEADBOLT DETAIL
Kwikset

LATCH & DEADBOLT STRIKE DETAILS
(Standard Deadbolt Strike Plate)



HINGE DETAIL

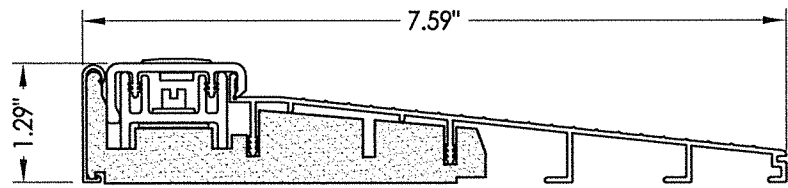


TONGUE STRIKE DETAIL
Multipoint Lock

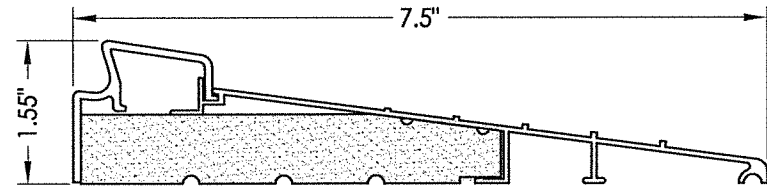
LATCH & DEADBOLT DETAIL
Multipoint Lock

MULTIPOINT LOCK STRIKE DETAILS

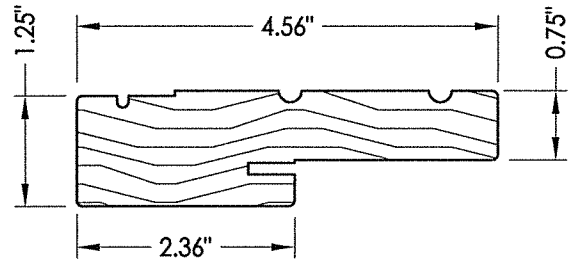
Documents Prepared By: Lyndon F. Schmidt, P.E. TEXAS P.E. #104123		 BUILDING CONSULTANTS, INC. P.O. Box 230 Valrico FL 33595 Phone No.: 813.659.9197	
PRODUCT: THERMA-TRU FIBERGLASS DOOR PART OR ASSEMBLY: FRAME ANCHORING & HARDWARE DETAILS		DATE: 10/24/17 SCALE: N.T.S. DWG. BY: JK CHK. BY: LFS DRAWING NO.: TX-4705 SHEET 6 OF 8	
REVISIONS NO. DATE BY		1 9/27/21 UPDATE TO 2018 IBC/IRC CODE LFS NO. DATE BY	
CERTIFICATE OF REGISTRATION # F-11852		© 2017 R.W. BUILDING CONSULTANTS INC.	



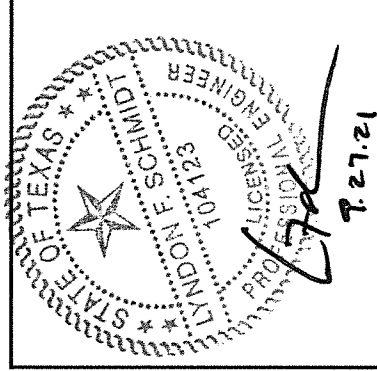
32 INSWING THRESHOLD
Inswing Basic Composite Adjustable Sill 7-1/2"



37 INSWING THRESHOLD
Inswing Basic Fixed 7-1/2" Sill



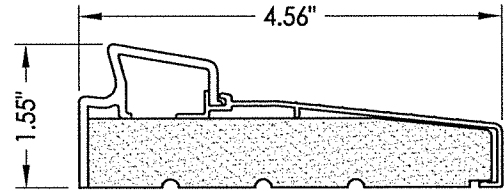
1 WOOD JAMB



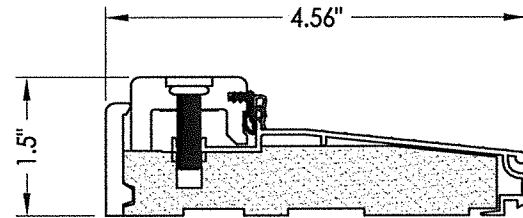
Documents Prepared By: Lyndon F. Schmidt, P.E.
TEXAS P.E. #104123

RW BUILDING CONSULTANTS, INC.
P.O. Box 230 Vero Beach, FL 33595
Phone No.: 813.659.9197

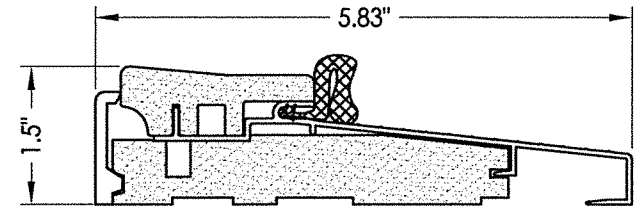
CERTIFICATE OF REGISTRATION # F-11852



33 INSWING THRESHOLD
Inswing Basic Fixed Sill

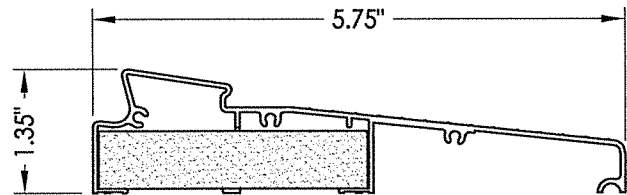


38 INSWING THRESHOLD
Inswing Composite Adjustable Sill

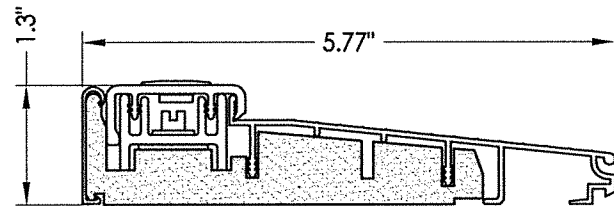


16 OUTSWING THRESHOLD
Composite Sill

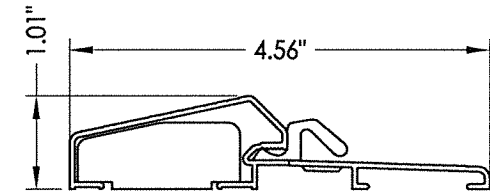
MAX. +55 PSF
(where water infiltration is required)



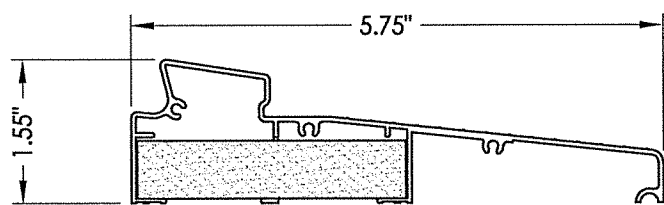
34 INSWING THRESHOLD
Inswing Moderate Climate Sill 1-3/8"



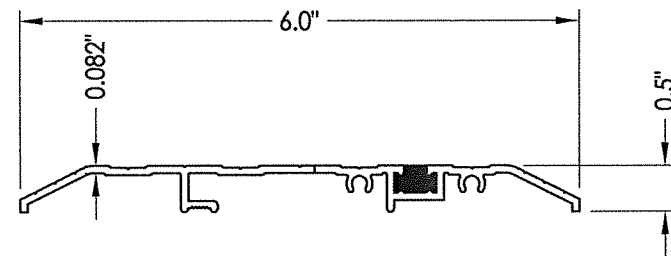
39 INSWING THRESHOLD
Inswing Basic Composite Adjustable Sill



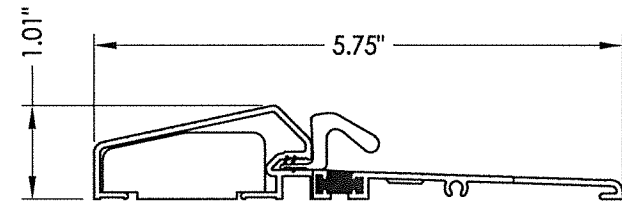
17 OUTSWING THRESHOLD
Composite / Aluminum Sill



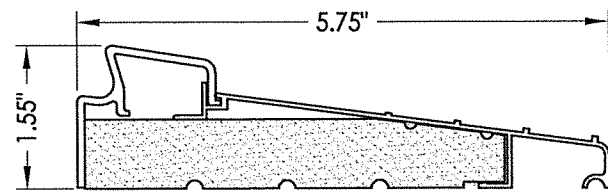
35 INSWING THRESHOLD
Inswing Moderate Climate Sill



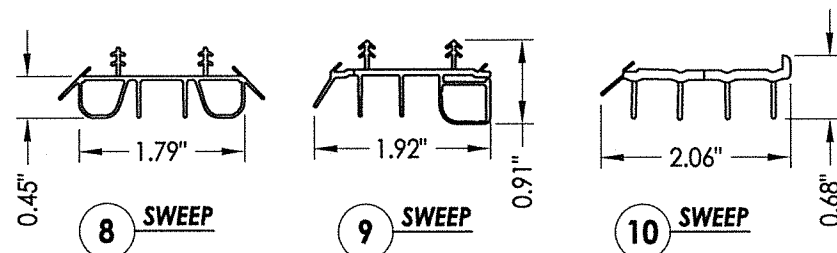
15 PUBLIC ACCESS THRESHOLD



18 OUTSWING THRESHOLD
Composite / Aluminum Sill
(Thermal Break)



36 INSWING THRESHOLD
Inswing Basic Fixed 5-3/4" Sill



8 SWEEP

9 SWEEP

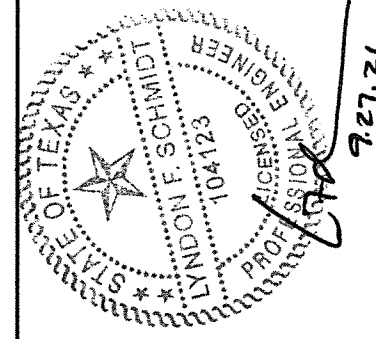
10 SWEEP

PRODUCT:		THERMA-TRU FIBERGLASS DOOR	
PART OR ASSEMBLY:		COMPONENTS	
NO.	DATE	DESCRIPTION	BY
1	9/27/21	UPDATE TO 2018 IBC/IRC CODE	LFS

DATE:	10/24/17
SCALE:	N.T.S.
DWG. BY:	JK
CHK. BY:	LFS
DRAWING NO.:	TX-4705
SHEET	7 OF 8

BILL OF MATERIALS

ITEM #	DESCRIPTION	MATERIAL
A	2X FRAMING (SG >= 0.42)	WOOD
C	1/4" MAX. SHIM SPACE	-
L	#10 X 2-1/2" PFH WOOD SCREW (1.15" MIN. EMBEDMENT)	STEEL
1	JAMB (FINGER JOINT PINE)	WOOD
6	WEATHERSTRIP (MEDIUM REACH)	FOAM
7	WEATHERSTRIP (LONG REACH)	FOAM
8	SWEEP	VINYL
9	SWEEP (USE w/ MODERATE CLIMATE THRESHOLD)	VINYL
10	SWEEP (USE w/ PUBLIC ACCESS THRESHOLD)	VINYL
15	PUBLIC ACCESS THRESHOLD	ALUM
16	OUTSWING THRESHOLD	ALUM/COMP
17	OUTSWING THRESHOLD	ALUM/COMP
18	OUTSWING THRESHOLD	ALUM/COMP
22	#8 x 3/4" PFH WOOD SCREW	STEEL
23	#10 x 3/4" PFH WOOD SCREW	STEEL
24	#10 x 1" PFH WOOD SCREW	STEEL
25	#8 x 2-1/2" PFH WOOD SCREW	STEEL
26	#8 x 5/8" PFH WOOD SCREW	STEEL
27	LATCH STRIKE PLATE	STEEL
28	DEADBOLT SUB STRIKE PLATE	STEEL
28A	DEADBOLT SUB STRIKE PLATE	STEEL
29	4" X 4" HINGE	STEEL
30	LATCH & DEADBOLT STRIKE PLATE (TONGUE SYSTEM)	ALUM/COMP
31	MULTIPOINT STRIKE PLATE (TONGUE SYSTEM)	ALUM/COMP
32	INSWING THRESHOLD	ALUM/COMP
33	INSWING THRESHOLD	ALUM/COMP
34	INSWING THRESHOLD	ALUM/COMP
35	INSWING THRESHOLD	ALUM/COMP
36	INSWING THRESHOLD	ALUM/COMP
37	INSWING THRESHOLD	ALUM/COMP
38	INSWING THRESHOLD	ALUM/COMP
39	INSWING THRESHOLD	ALUM/COMP
40	DOOR PANEL (BOOK)	-
41	DOOR PANEL (HYBRID)	-
42	DOOR PANEL (U1)	-



Documents Prepared By: Lyndon F. Schmidt, P.E.
TEXAS P.E. #104123

RW BUILDING CONSULTANTS, INC.
P.O. Box 230 Valrico FL 33595
Phone No.: 813.659.9197

CERTIFICATE OF REGISTRATION # F-11852

PRODUCT: THERMA-TRU
FIBERGLASS DOOR

PART OR ASSEMBLY:
BILL OF MATERIALS

NO.	DATE	DESCRIPTION	BY
1	9/27/21	UPDATE TO 2018 IBC/IRC CODE	LFS

DATE: 10/24/17
SCALE: N.T.S.
DWG. BY: JK
CHK. BY: LFS
DRAWING NO.: TX-4705
SHEET 8 OF 8