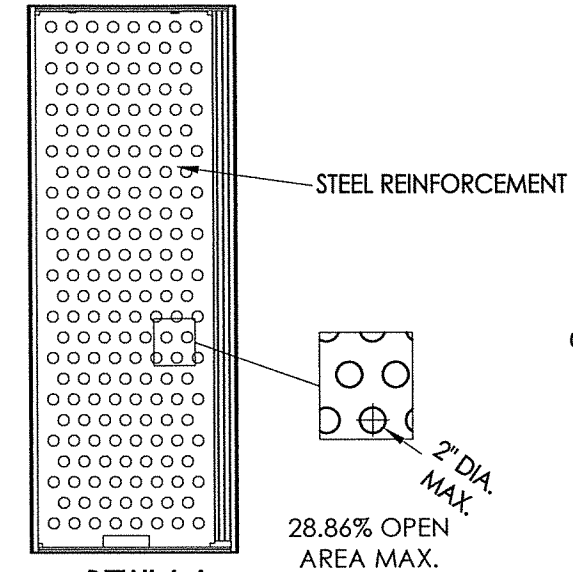


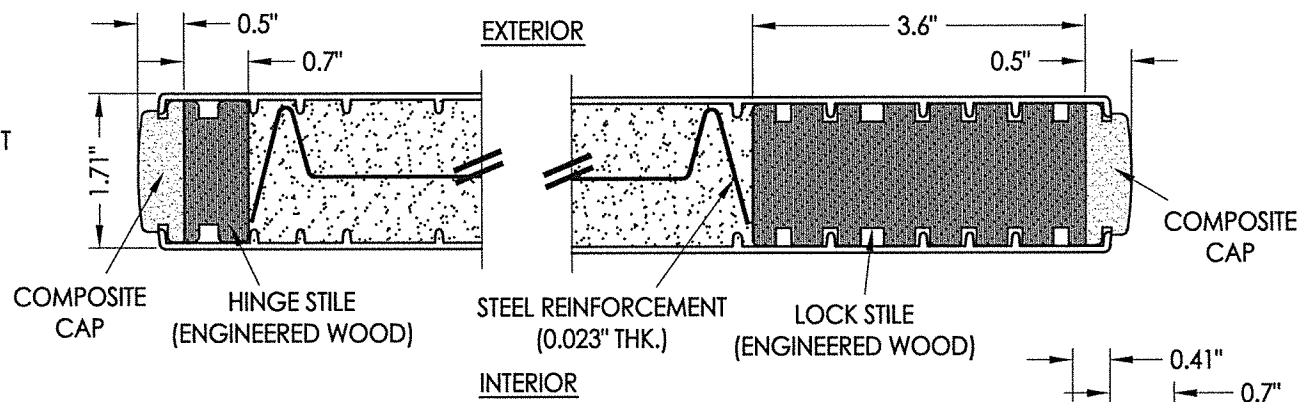


Z:\Clients\Therma Tru PERMANENT\B - Texas Dept of Ins\TDI - DR 950 - 6'8 & 8'0 Opaque Comp Edge Coastal Impact (TX 4735 - 4740)\C - Drawings\TX-4738-40.dwg

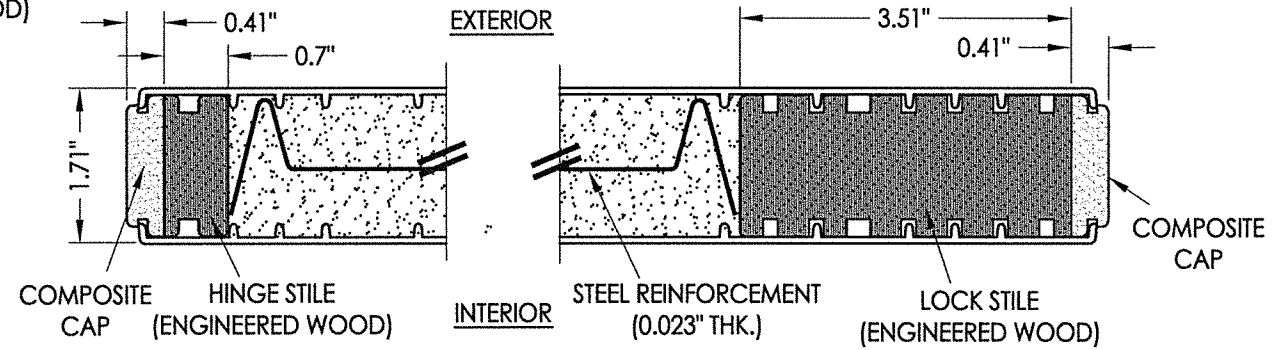


**DETAIL A-A**  
PANEL REINFORCEMENT  
(0.023" Thick Steel)

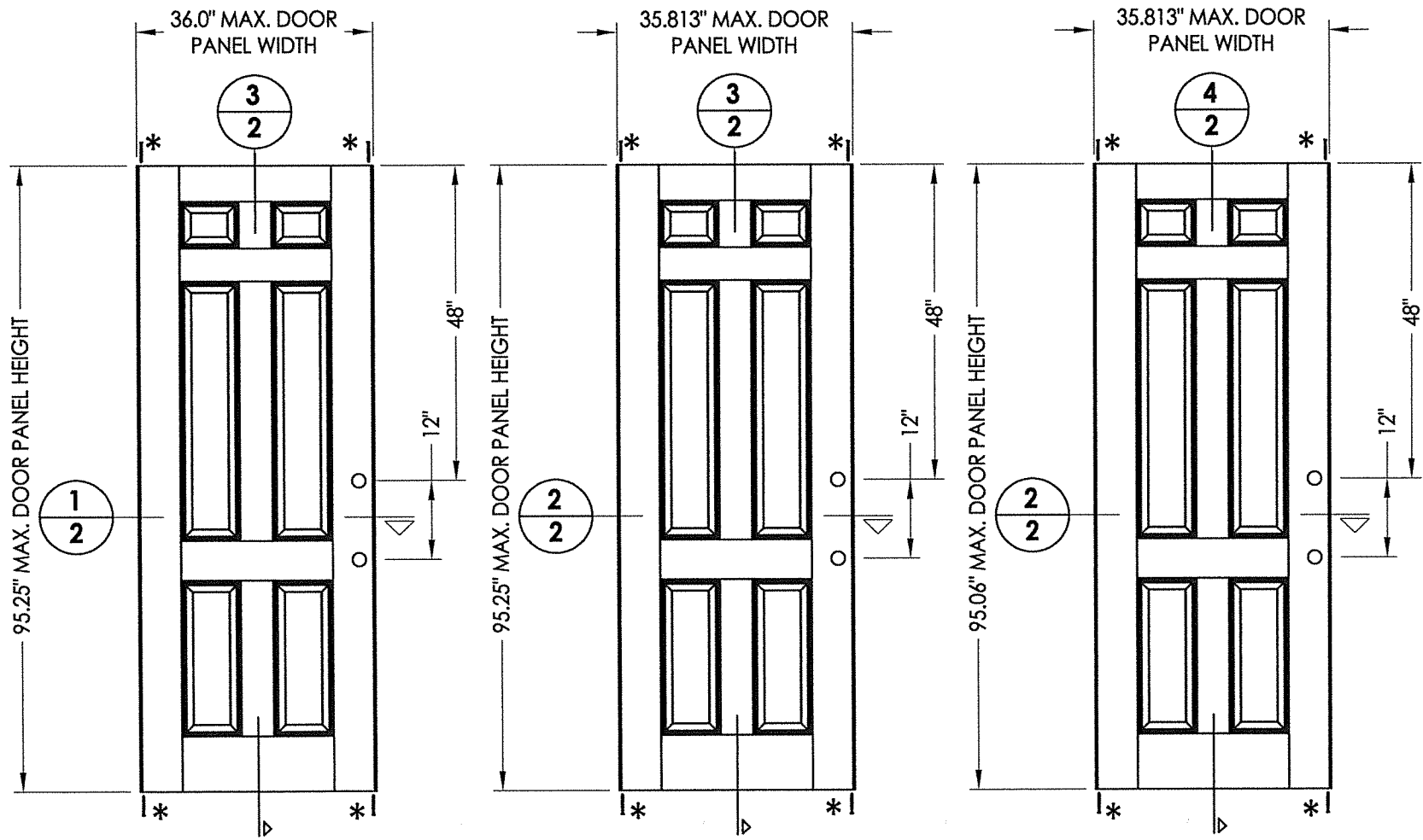
\* #8 X 2.5" PFH WS (TYP. @ EACH DOOR CORNER)



**1 HORIZONTAL CROSS SECTION**



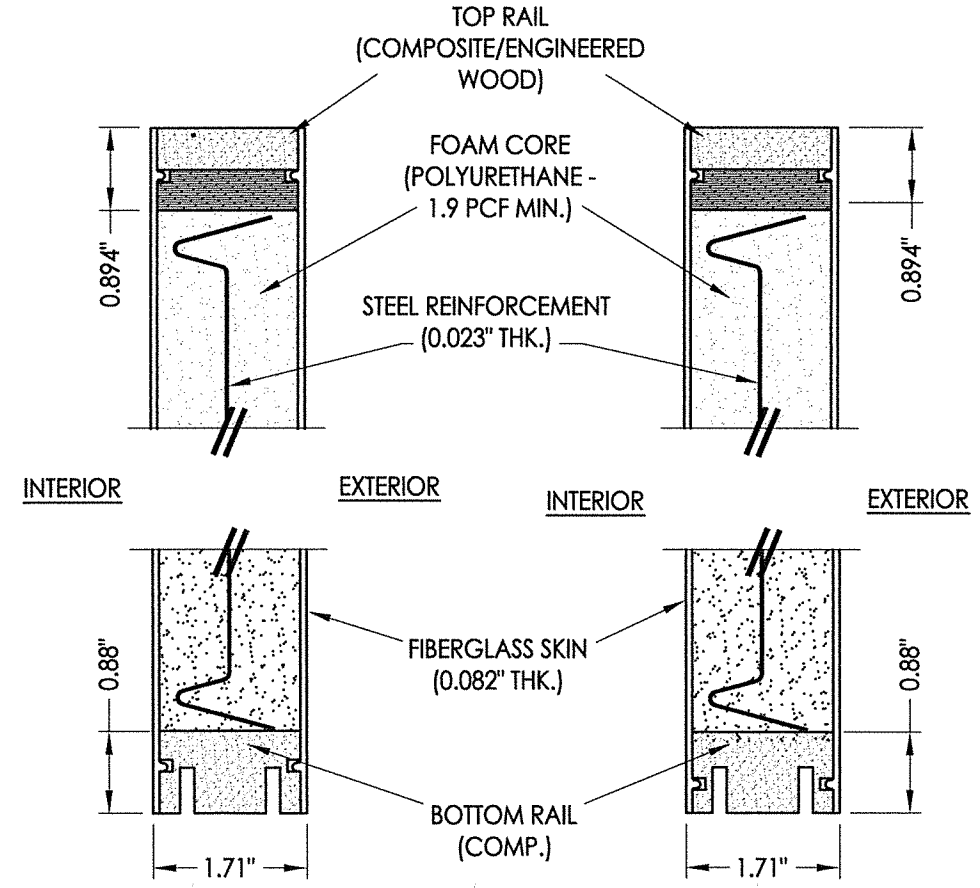
**2 HORIZONTAL CROSS SECTION**



**40 DOOR PANEL**  
BOOK

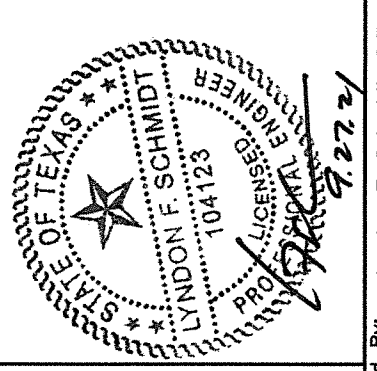
**41 DOOR PANEL**  
Hybrid Door

**42 DOOR PANEL**  
U1 Door



**3 VERTICAL CROSS SECTION**

**4 VERTICAL CROSS SECTION**



Documents Prepared By: Lyndon F. Schmidt, P.E.  
TEXAS P.E. #104123

**RW** BUILDING CONSULTANTS, INC.  
P.O. Box 230 Vairico FL 33595  
Phone No.: 813.659.9197

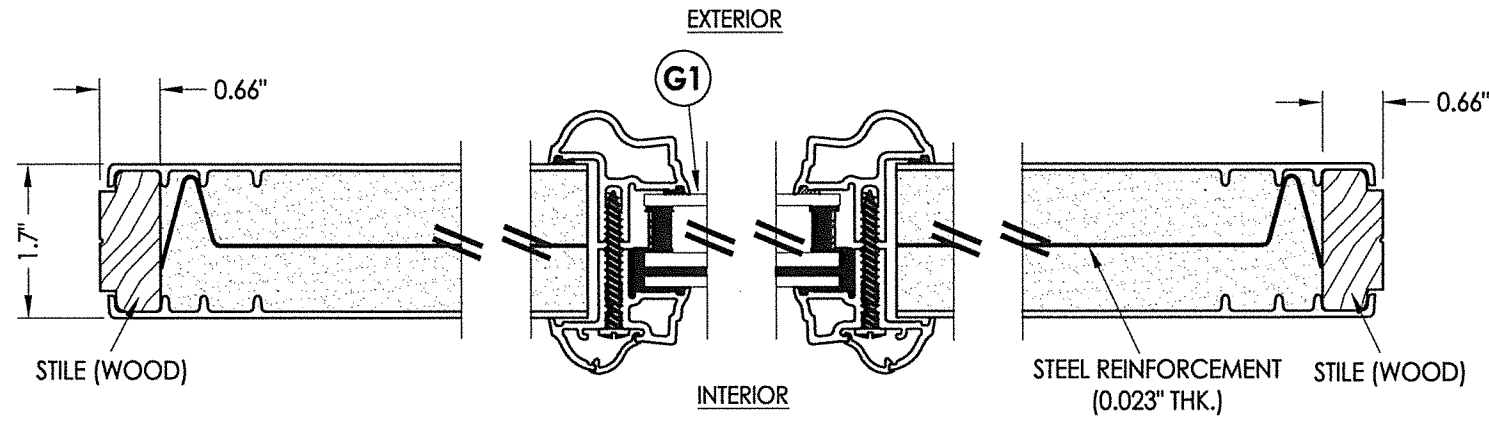
CERTIFICATE OF REGISTRATION # F-11852

|                   |                               |
|-------------------|-------------------------------|
| PRODUCT:          | Therma-TRU<br>FIBERGLASS DOOR |
| PART OR ASSEMBLY: | DOOR PANEL DETAILS            |

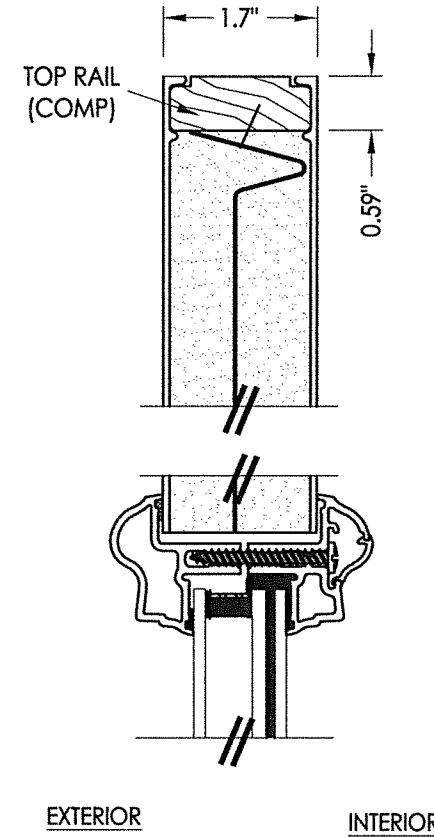
| NO. | DATE    | DESCRIPTION                 | BY  |
|-----|---------|-----------------------------|-----|
| 1   | 9/27/21 | UPDATE TO 2018 IBC/IRC CODE | LFS |

|              |          |
|--------------|----------|
| DATE:        | 10/24/17 |
| SCALE:       | N.T.S.   |
| DWG. BY:     | JK       |
| CHK. BY:     | LFS      |
| DRAWING NO.: | TX-4740  |
| SHEET        | 2 OF 11  |

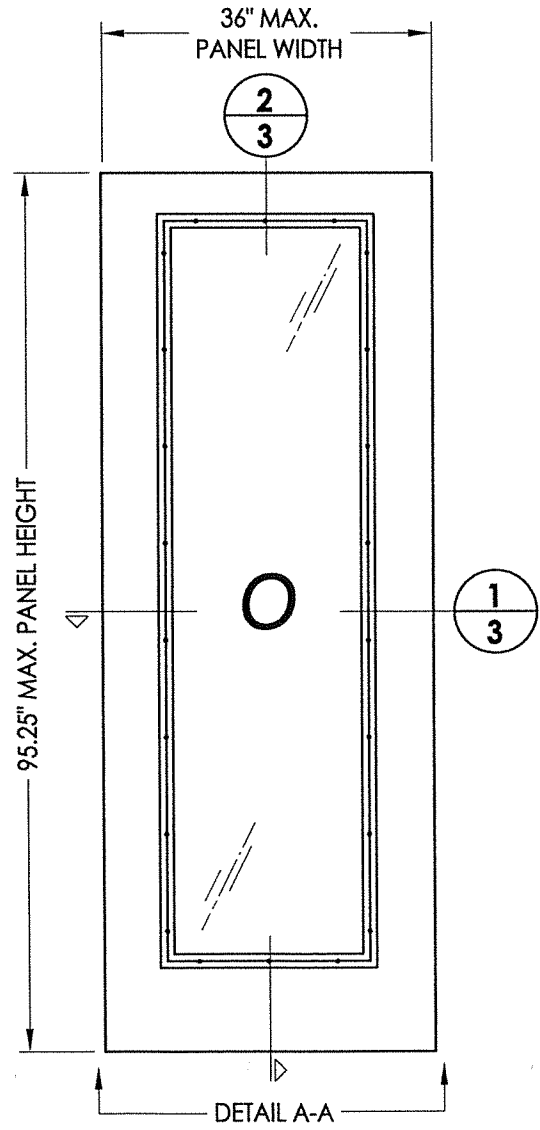
© 2017 R.W. BUILDING CONSULTANTS INC.



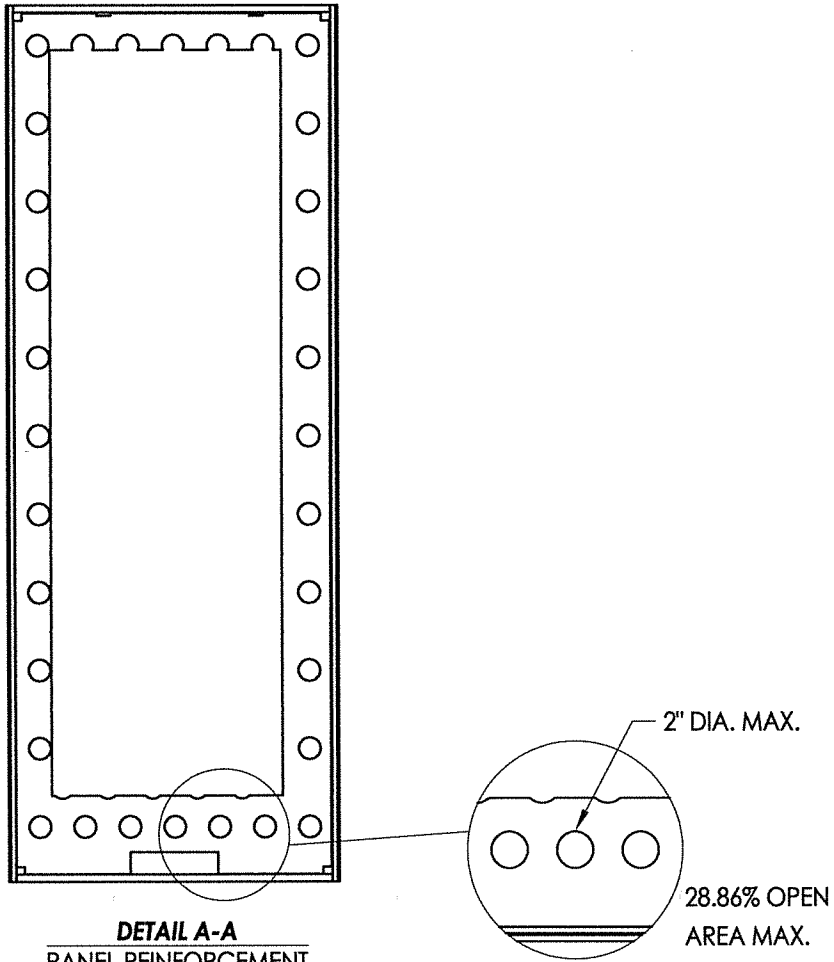
**1**  
**3** HORIZONTAL CROSS SECTION



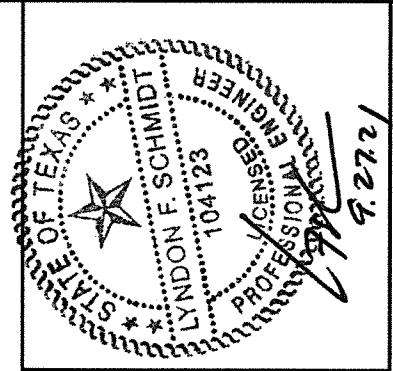
**2**  
**3** VERTICAL CROSS SECTION



**50** SIDELITE PANEL



**DETAIL A-A**  
PANEL REINFORCEMENT  
(0.023\"/>

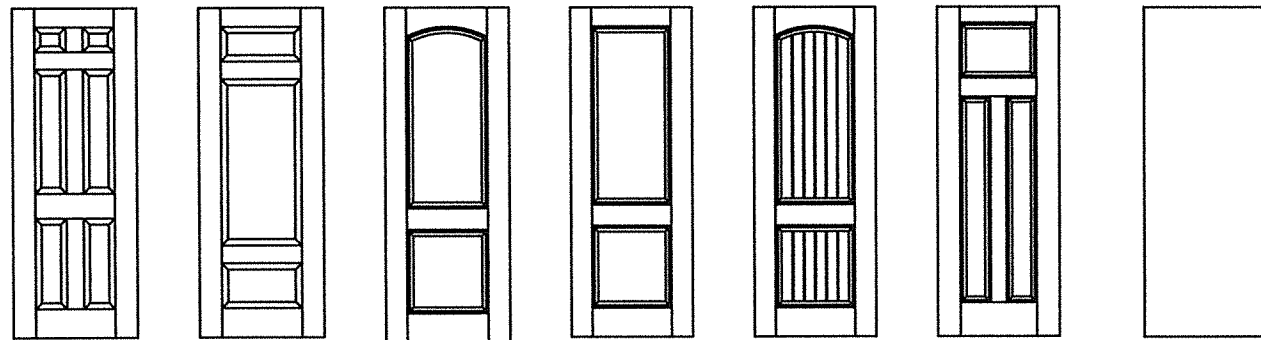
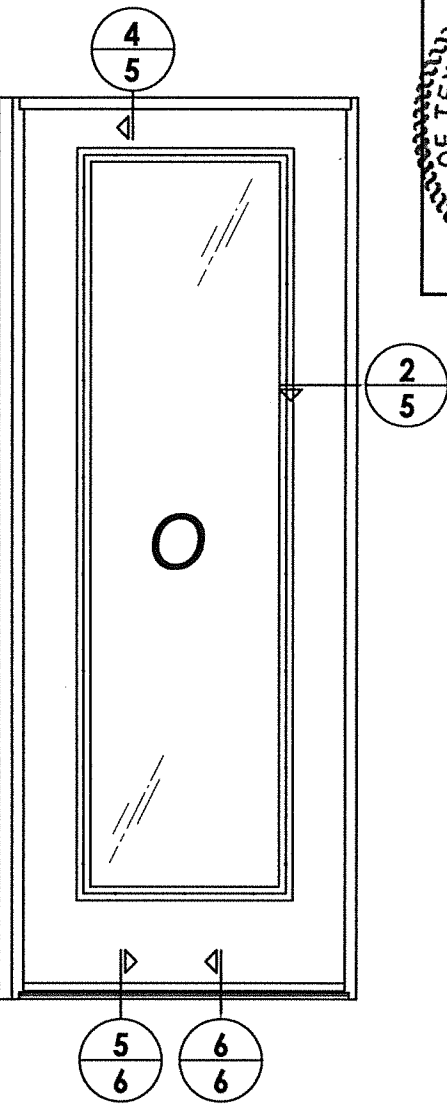
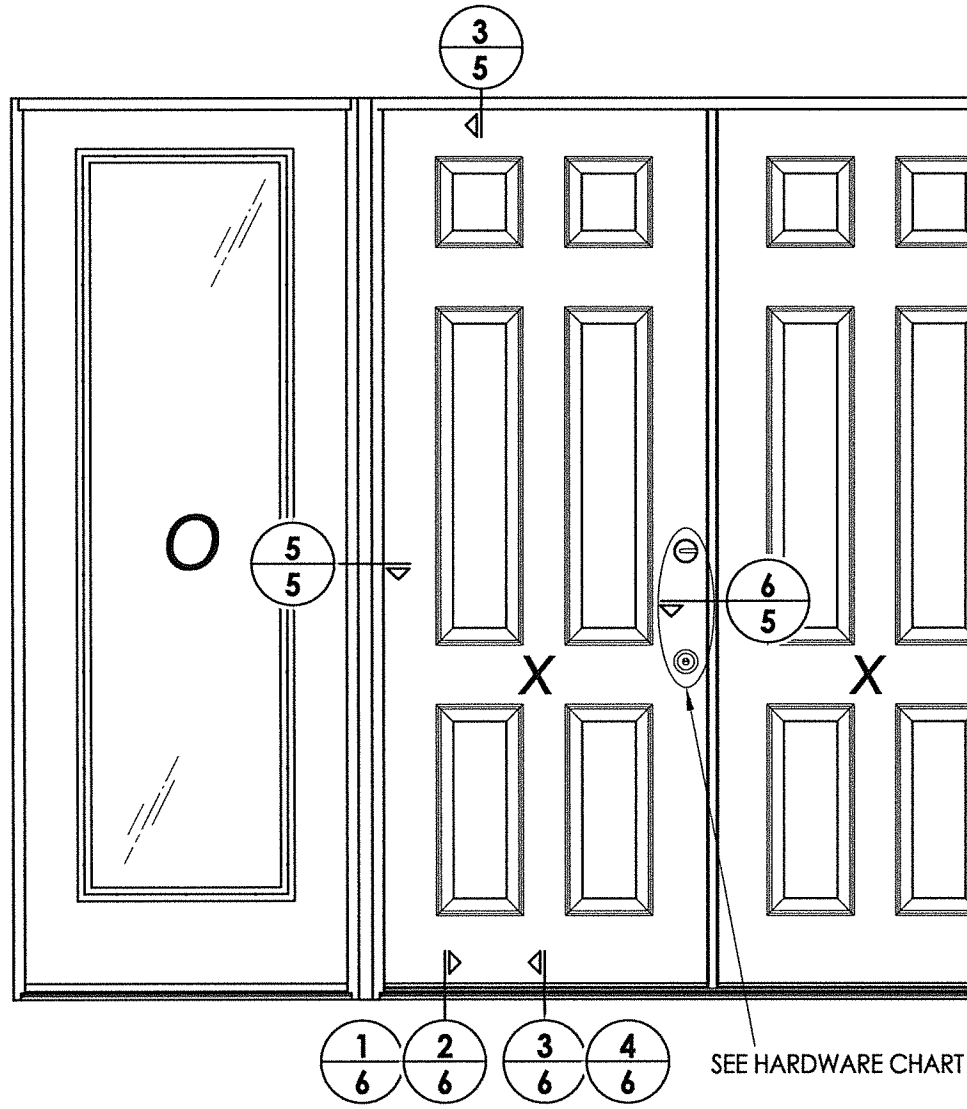
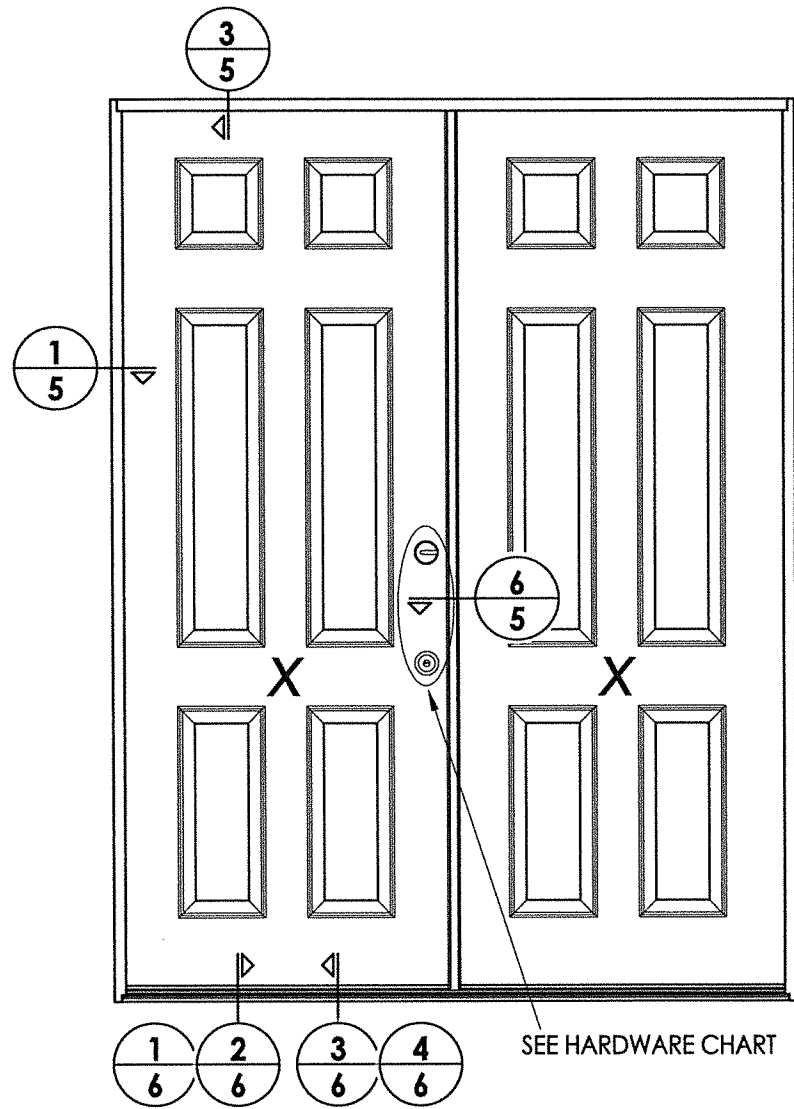


Documents Prepared By: Lyndon F. Schmidt, P.E.  
TEXAS P.E. #104123

**RW** BUILDING CONSULTANTS, INC.  
P.O. Box 230 Valrico FL 33595  
Phone No.: 813.659.9197

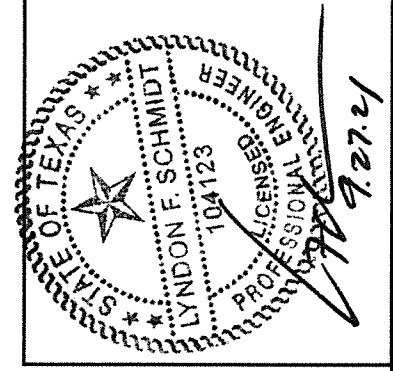
CERTIFICATE OF REGISTRATION # F-11852

|                      |         |                               |     |
|----------------------|---------|-------------------------------|-----|
| PRODUCT:             |         | THERMA-TRU<br>FIBERGLASS DOOR |     |
| PART OR ASSEMBLY:    |         | SIDELITE PANEL DETAILS        |     |
| NO.                  | DATE    | DESCRIPTION                   | BY  |
| 1                    | 9/27/21 | UPDATE TO 2018 IBC/IRC CODE   | LFS |
|                      |         |                               | BY  |
| REVISIONS            |         |                               |     |
| DATE: 10/24/17       |         |                               |     |
| SCALE: N.T.S.        |         |                               |     |
| DWG. BY: JK          |         |                               |     |
| CHK. BY: LFS         |         |                               |     |
| DRAWING NO.: TX-4740 |         |                               |     |
| SHEET 3 OF 11        |         |                               |     |



**Fiber-Classic/Smooth-Star Door Panel Options**  
 Panel options shown are for illustration and are representative only  
 (similar opaque panel configurations are allowed)

| HARDWARE TABLE        |  |
|-----------------------|--|
| MANUFACTURER          | MODEL  |
| SCHLAGE               | KNOB: F51<br>DEADBOLT: B60                                 |
| KWIKSET               | KNOB: SIGNATURE SERIES<br>DEADBOLT: SIGNATURE SERIES (980) |
| HOPPE<br>(THERMA-TRU) | MULTIPOINT : MPDGSB<br>(3 pt. Manual Shootbolt)            |



Documents Prepared By: Lyndon F. Schmidt, P.E.  
 TEXAS P.E. #104123

**RW** BUILDING CONSULTANTS, INC.  
 P.O. Box 230 Valrico FL 33595  
 Phone No.: 813.659.9197

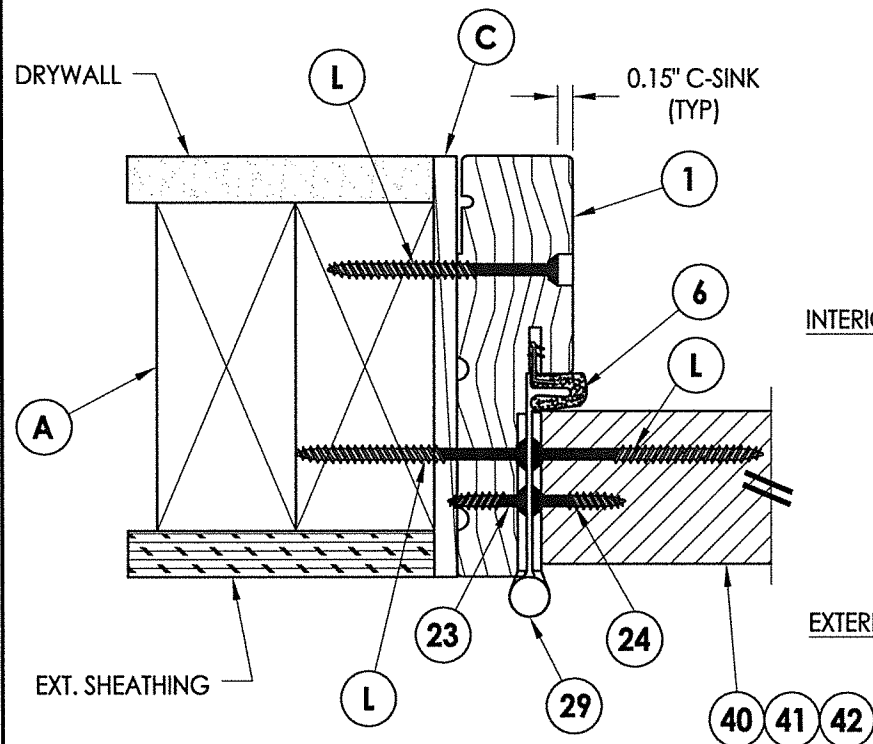
CERTIFICATE OF REGISTRATION # F-11852

PRODUCT: THERMA-TRU FIBERGLASS DOOR  
 PART OR ASSEMBLY: ELEVATIONS

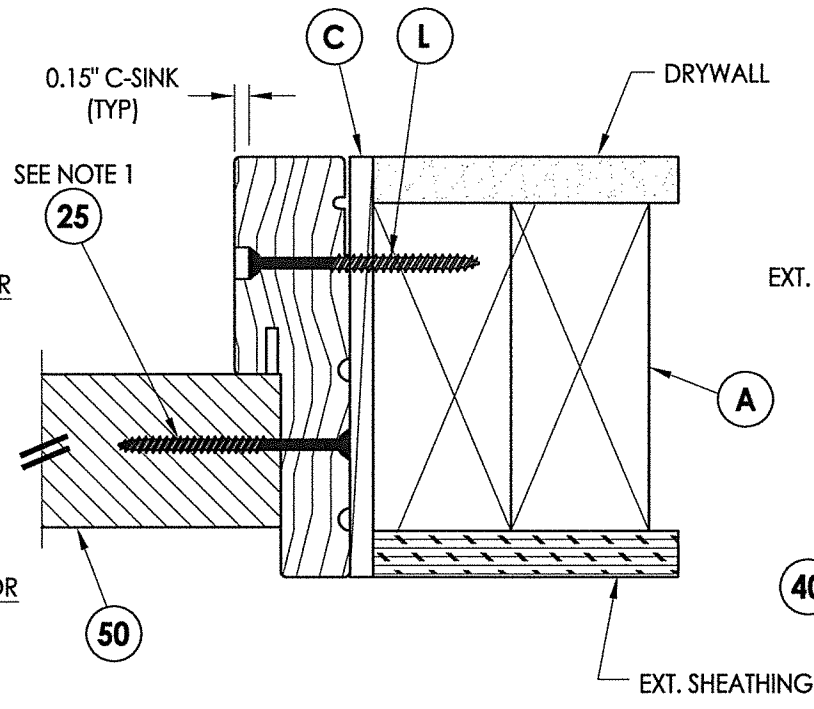
| REVISIONS |                             |
|-----------|-----------------------------|
| NO.       | DATE                        |
| 1         | 9/27/21                     |
|           | UPDATE TO 2018 IBC/IRC CODE |
|           | LFS                         |
|           | BY                          |

DATE: 10/24/17  
 SCALE: N.T.S.  
 DWG. BY: JK  
 CHK. BY: LFS  
 DRAWING NO.: TX-4740  
 SHEET 4 OF 11

Z:\Clients\Therma Tru PERMANENT\B - Texas Dept of Ins\TDI - DR 950 - 6'8 & 8'0 Opaque Comp Edge Coastal Impact (TX 4735 - 4740)\C - Drawings\TX-4738-40.dwg



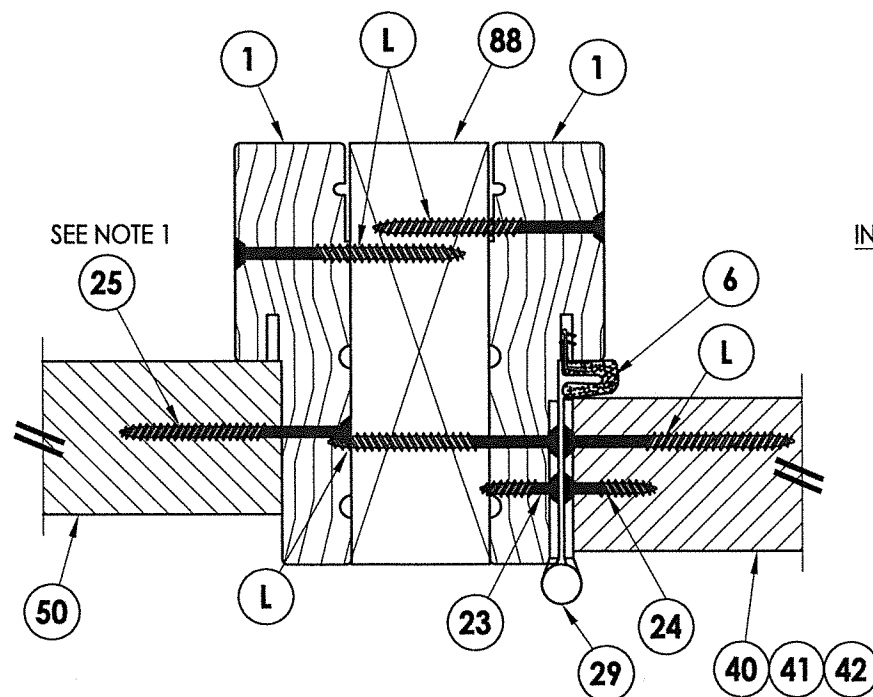
**1 HORIZONTAL CROSS SECTION**  
**5** Shown w/ 2X Buck  
 Outswing shown (Inswing similar)



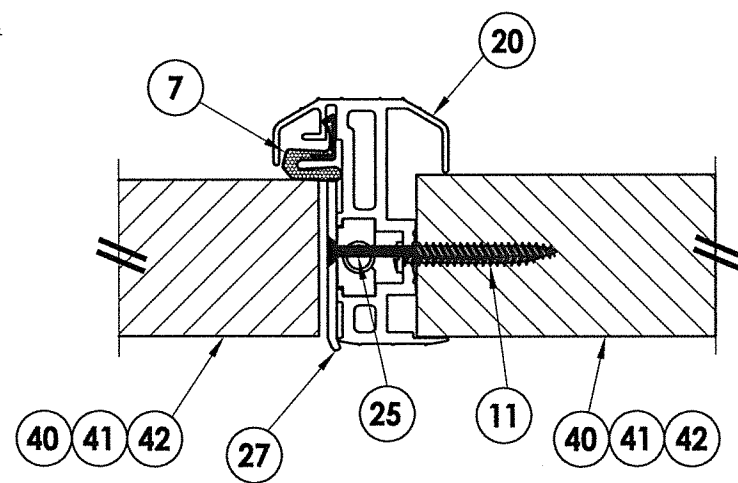
**2 HORIZONTAL CROSS SECTION**  
**5** Shown w/ 2X Buck  
 Outswing shown (Inswing similar)

**Notes:**

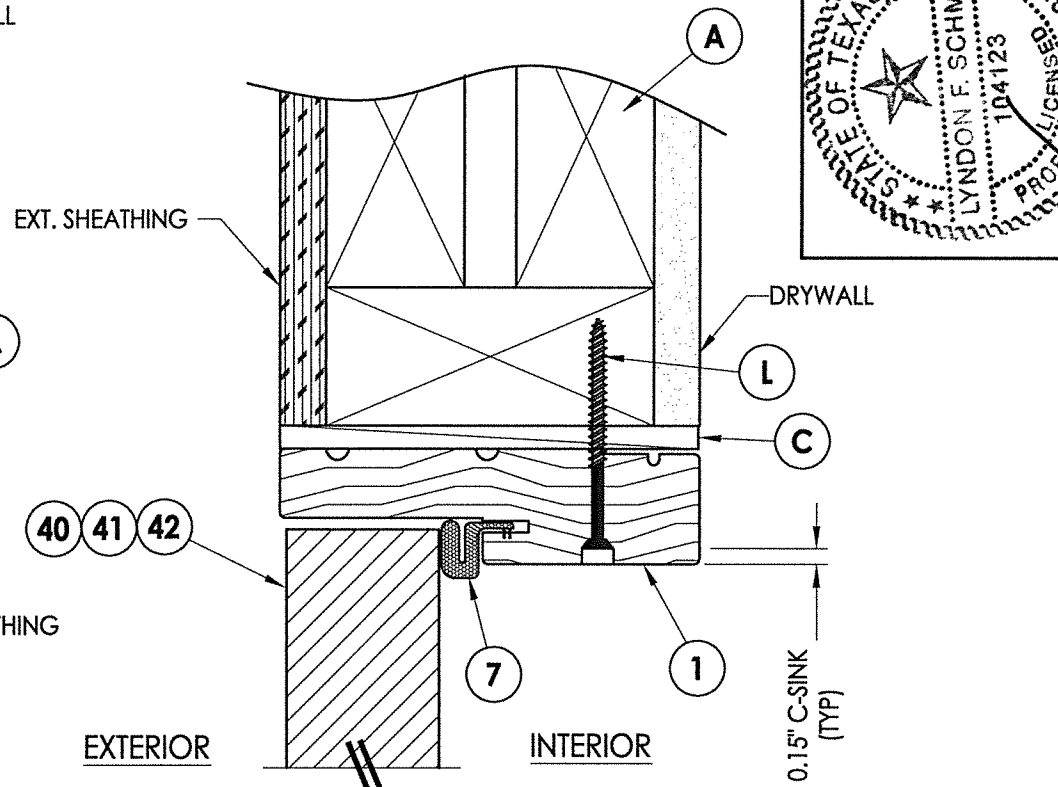
1. Sidelite assembly screws located 6" from each end and 6 more screws equally spaced between (8 screws total per side jamb).
2. Sidelite assembly screws located 3" from each end & at centerline (3 screws along head jamb).



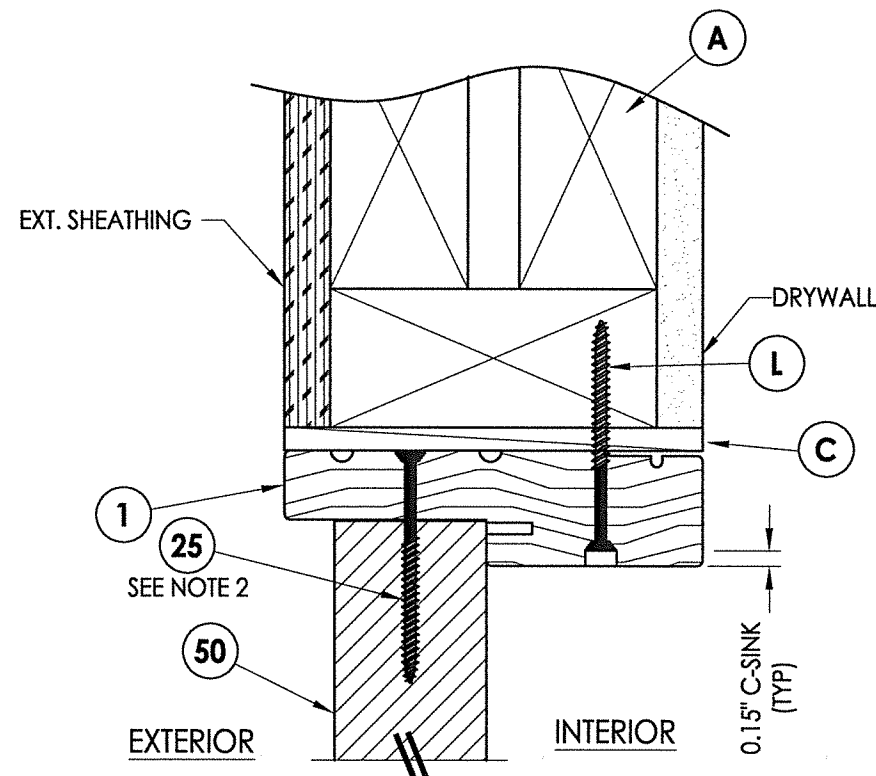
**5 HORIZONTAL CROSS SECTION**  
**5** Outswing shown (Inswing similar)



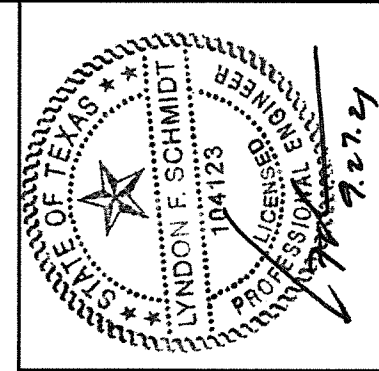
**6 HORIZONTAL CROSS SECTION**  
**5** Outswing shown (Inswing similar)



**3 VERTICAL CROSS SECTION**  
**5** Shown w/ 2X Buck  
 Outswing shown (Inswing similar)



**4 VERTICAL CROSS SECTION**  
**5** Shown w/ 2X Buck  
 Outswing shown (Inswing similar)



Documents Prepared By: Lyndon F. Schmidt, P.E.  
 TEXAS P.E. #104123

**RW** BUILDING CONSULTANTS, INC.  
 P.O. Box 230 Valrico FL 33595  
 Phone No.: 813.659.9197

CERTIFICATE OF REGISTRATION # F-11852

|                   |   |
|-------------------|---|
| PRODUCT:          | THERMA-TRU<br>FIBERGLASS DOOR           |
| PART OR ASSEMBLY: | HORIZONTAL & VERTICAL<br>CROSS SECTIONS |

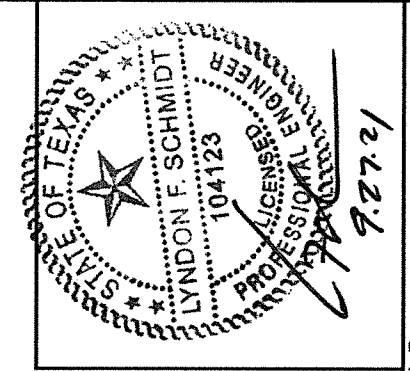
| NO. | DATE    | DESCRIPTION                 | BY  |
|-----|---------|-----------------------------|-----|
| 1   | 9/27/21 | UPDATE TO 2018 IBC/IRC CODE | LFS |

|              |          |
|--------------|----------|
| DATE:        | 10/24/17 |
| SCALE:       | N.T.S.   |
| DWG. BY:     | JK       |
| CHK. BY:     | LFS      |
| DRAWING NO.: | TX-4740  |
| SHEET        | 5 OF 11  |



**Notes:**

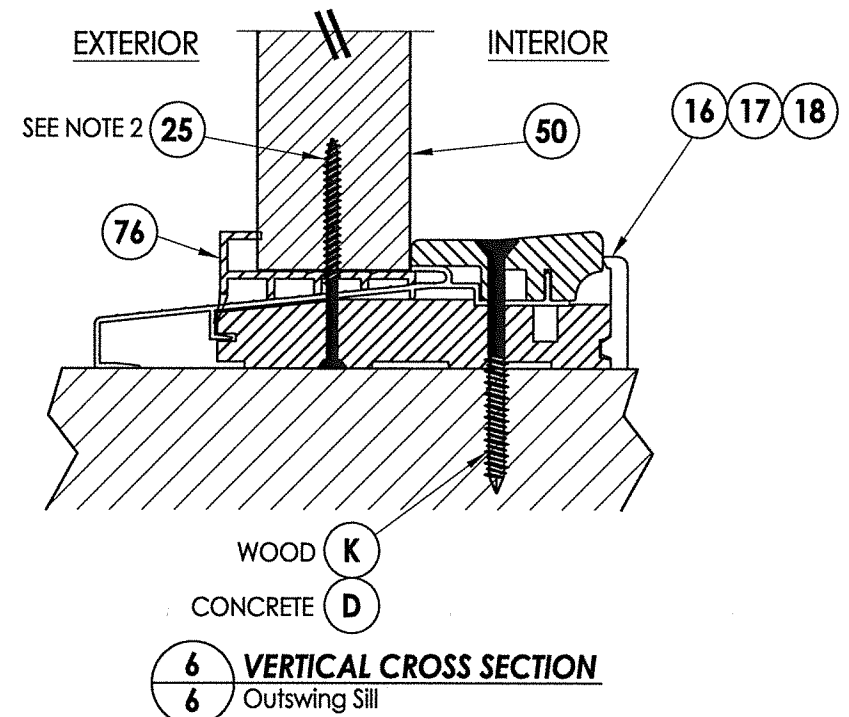
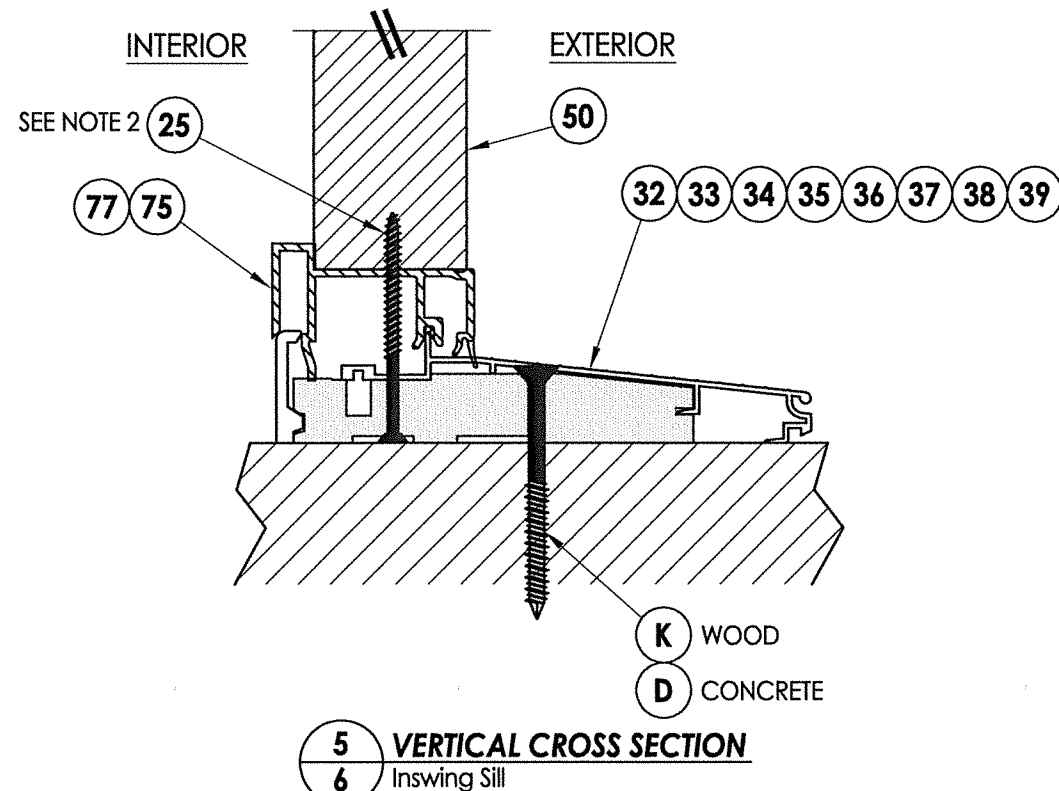
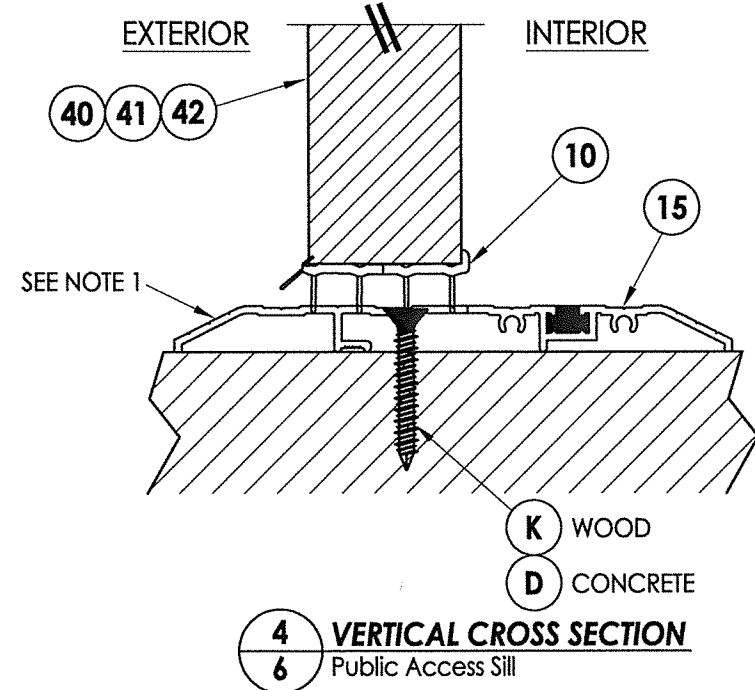
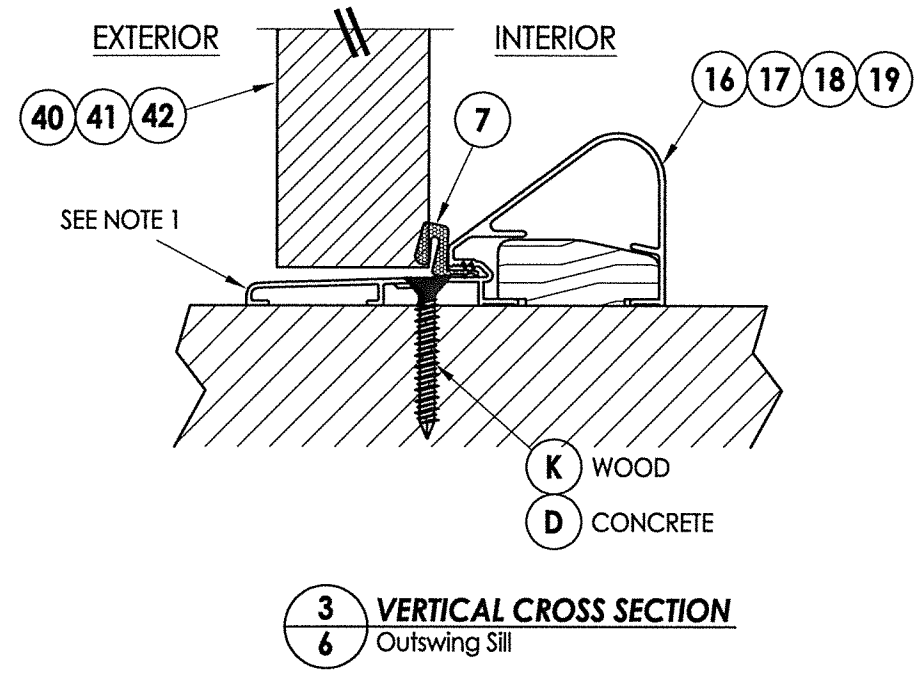
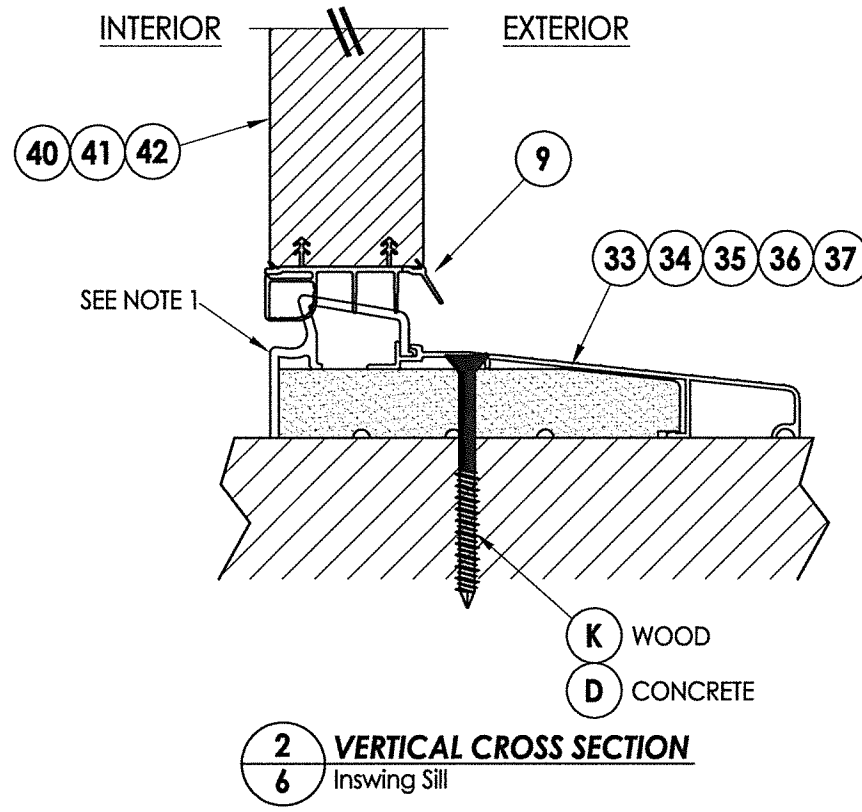
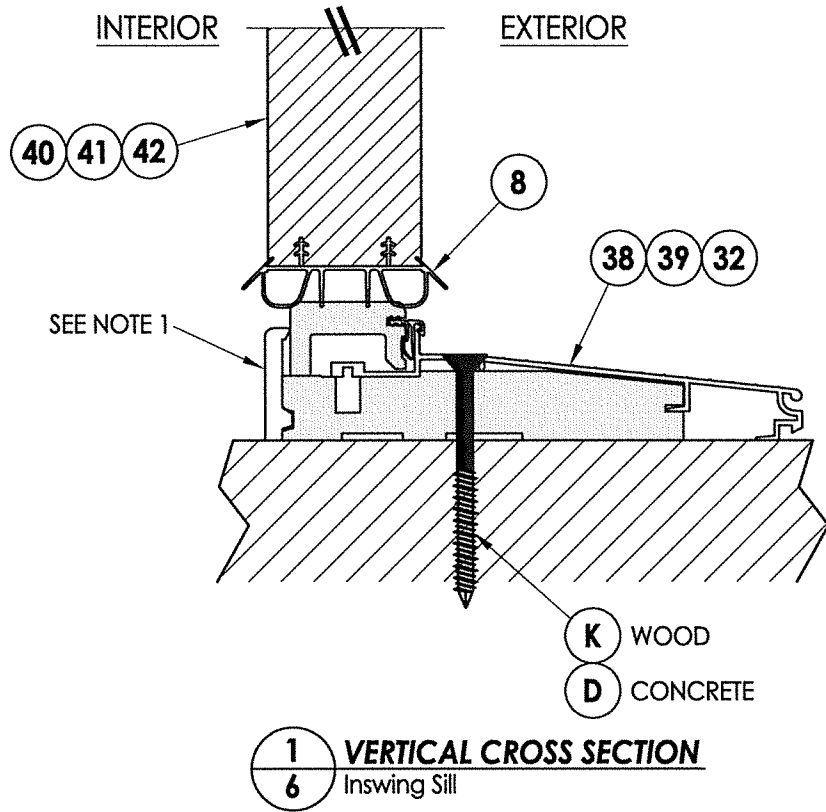
- Sill Item #'s 16, 32, 33, 34, 35, 36, 37, 38 & 39 are attached to jambs w/ (3) #8 X 2-1/2" pfh screws at each end.  
Sill Item #'s 17, 18 & 19 are attached to jambs w/ (2) #8 X 2-1/2" pfh screws at each end.  
Sill Item #15 is attached to jambs utilizing (2) #10 X 1-1/2" pph screws at each end.
- Sidelite assembly screws located 3" from each end & at centerline (3 screws along sill).



Documents Prepared By: Lyndon F. Schmidt, P.E.  
TEXAS P.E. #104123

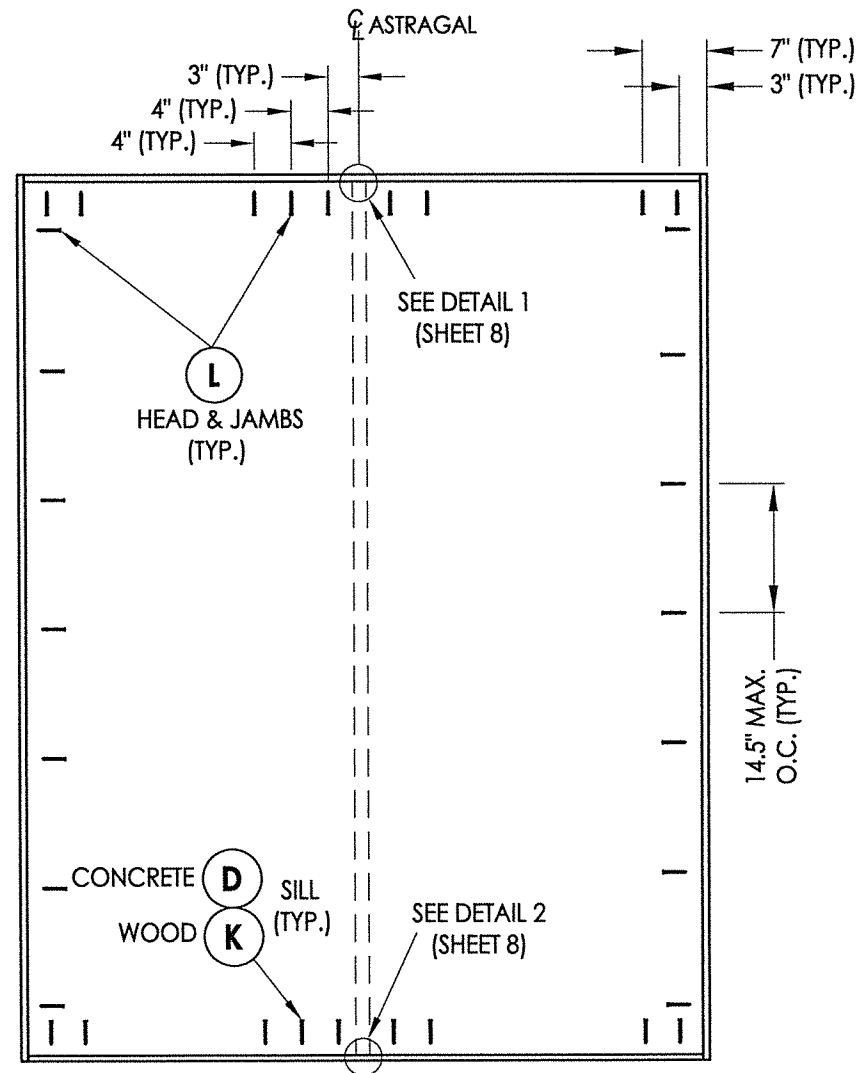
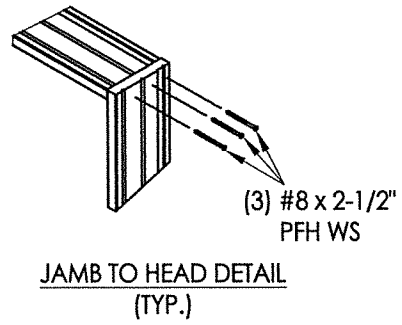
**RW** BUILDING CONSULTANTS, INC.  
P.O. Box 230 Valrico FL 33595  
Phone No.: 813.659.9197

CERTIFICATE OF REGISTRATION # F-11852



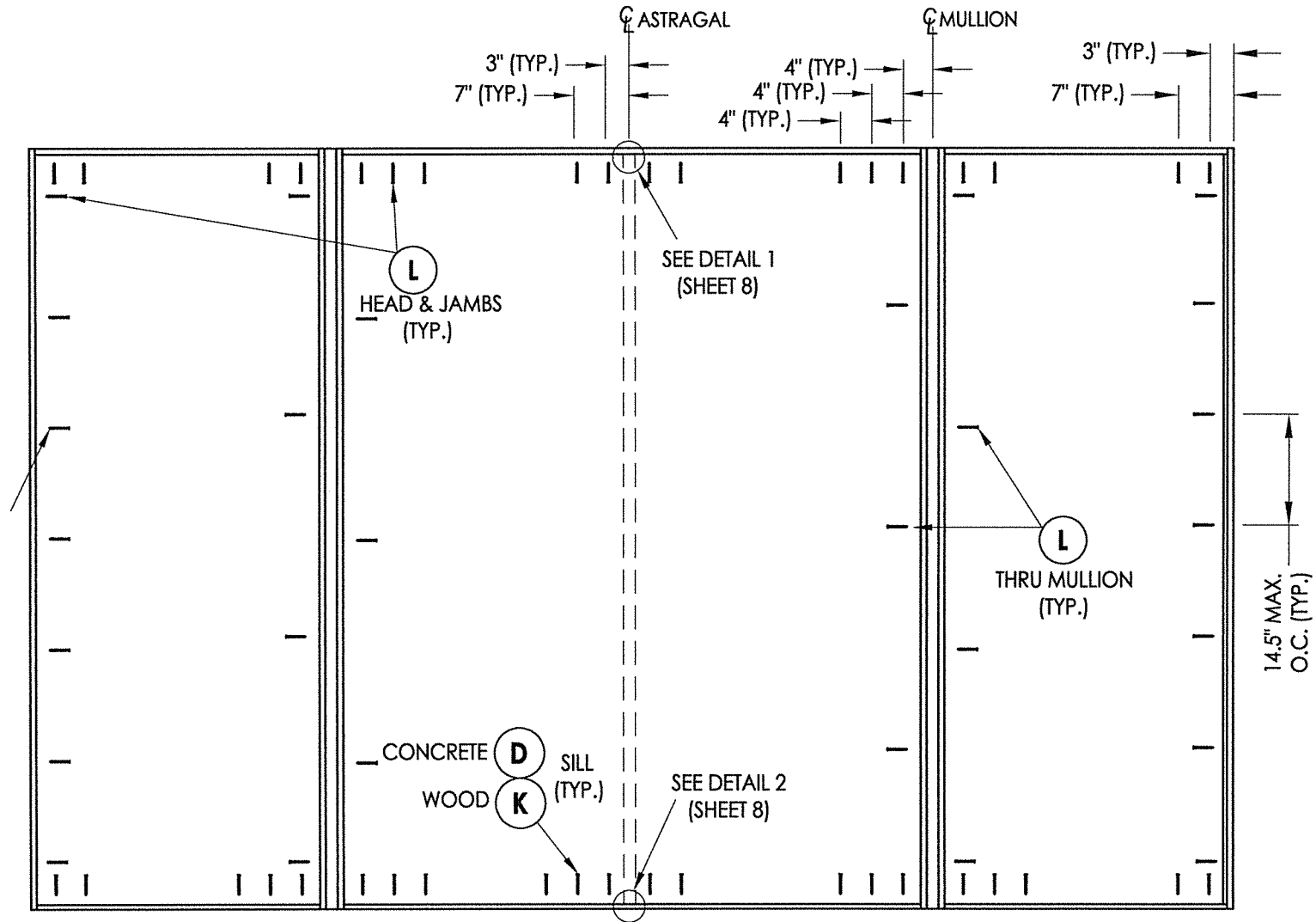
|                   |   |
|-------------------|---|
| PRODUCT:          | THERMA-TRU<br>FIBERGLASS DOOR           |
| PART OR ASSEMBLY: | VERTICAL CROSS<br>SECTIONS (THRESHOLDS) |
| NO.               | 1                                       |
| DATE              | 9/27/21                                 |
| UPDATE TO         | 2018 IBC/IRC CODE                       |
| BY                | LFS                                     |
| REVISIONS         |   |
| DATE:             | 10/24/17                                |
| SCALE:            | N.T.S.                                  |
| DWG. BY:          | JK                                      |
| CHK. BY:          | LFS                                     |
| DRAWING NO.:      | TX-4740                                 |
| SHEET             | 6 OF 11                                 |

Z:\Clients\Therma Tru PERMANENT\B - Texas Dept of Ins\TDI - DR 950 - 6'8 & 8'0 Opaque Comp Edge Coastal Impact (TX 4735 - 4740)\C - Drawings\TX-4738-40.dwg

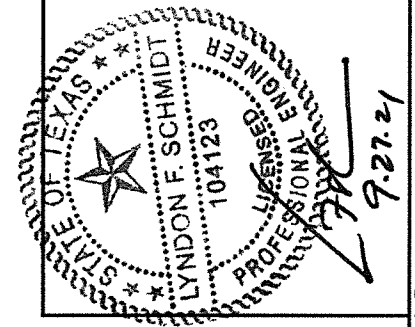


XX

**FRAME ANCHORING**



OXXO



Documents Prepared By: Lyndon F. Schmidt, P.E.  
TEXAS P.E. #104123

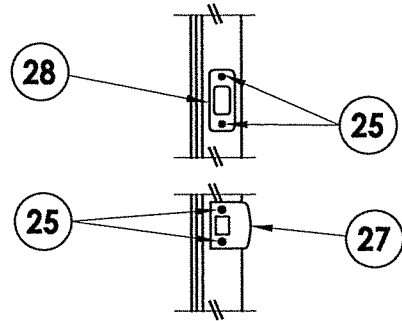
**RW** BUILDING CONSULTANTS, INC.  
P.O. Box 230 Valrico FL 33595  
Phone No.: 813.659.9197

CERTIFICATE OF REGISTRATION # F-11852

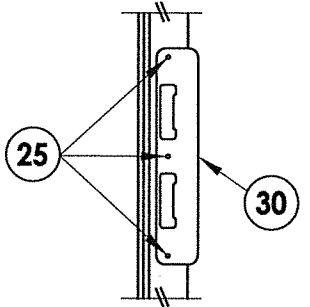
|                   |                               |
|-------------------|-------------------------------|
| PRODUCT:          | Therma-TRU<br>FIBERGLASS DOOR |
| PART OR ASSEMBLY: | FRAME ANCHORING               |

| NO. | DATE    | DESCRIPTION                 | BY  |
|-----|---------|-----------------------------|-----|
| 1   | 9/27/21 | UPDATE TO 2018 IBC/IRC CODE | LFS |

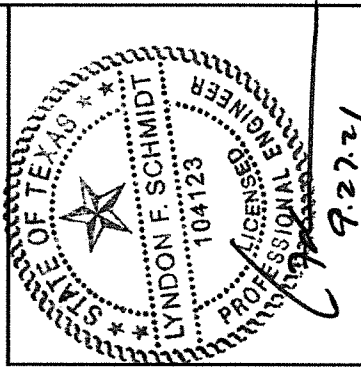
|              |          |
|--------------|----------|
| DATE:        | 10/24/17 |
| SCALE:       | N.T.S.   |
| DWG. BY:     | JK       |
| CHK. BY:     | LFS      |
| DRAWING NO.: | TX-4740  |
| SHEET        | 7 OF 11  |



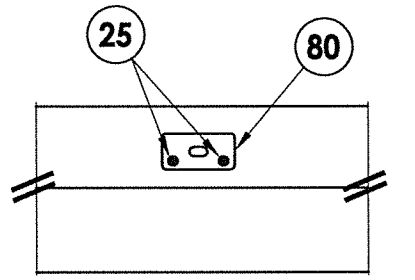
**LATCH & DEADBOLT DETAIL**  
Schlage / Kwikset



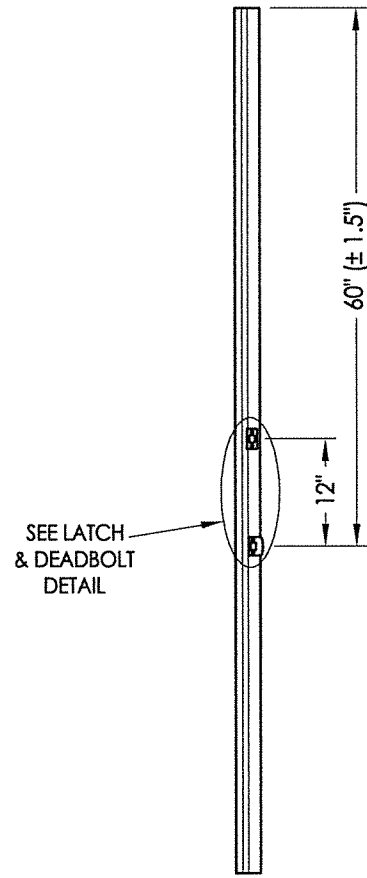
**LATCH & DEADBOLT DETAIL**  
Multipoint Lock



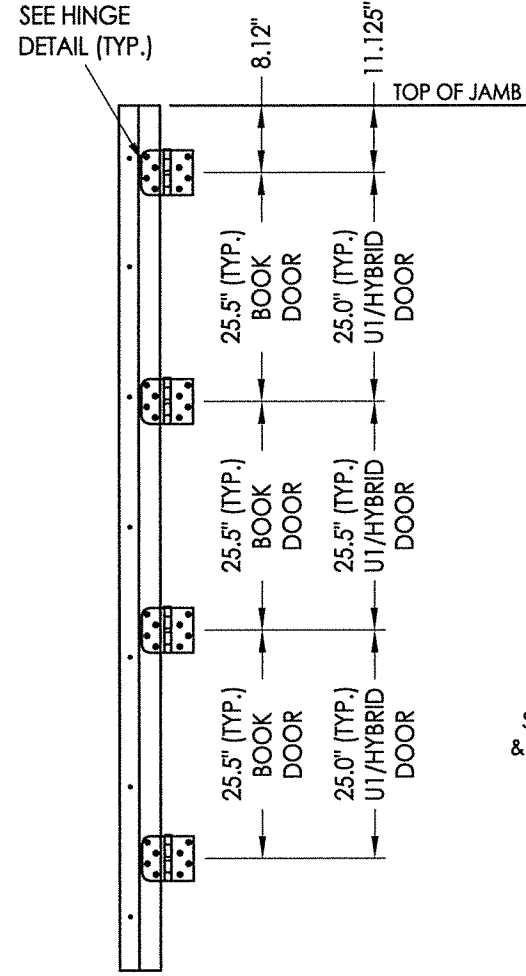
Documents Prepared By: Lyndon F. Schmidt, P.E.  
TEXAS P.E. #104123  
**RW** BUILDING CONSULTANTS, INC.  
P.O. Box 230 Valrico FL 33595  
Phone No.: 813.659.9197  
CERTIFICATE OF REGISTRATION # F-11852



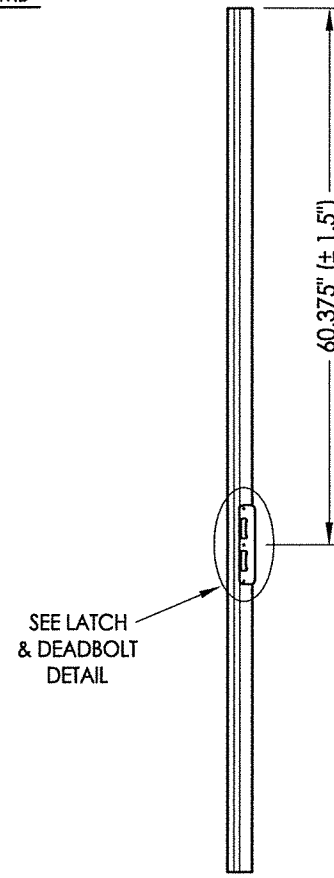
**DETAIL 1**  
Coastal Astragal Strike Plate @ Head



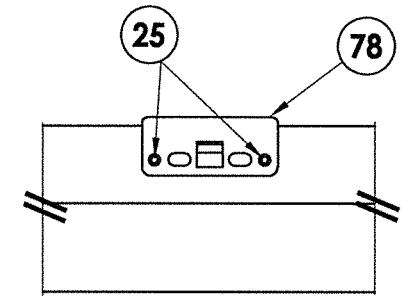
**STRIKE JAMB**  
Latch and Deadbolt



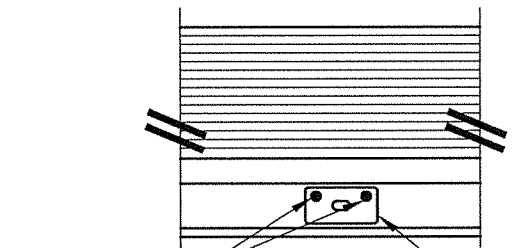
**HINGE JAMB**



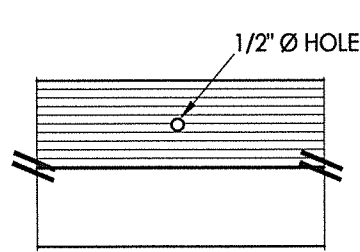
**STRIKE JAMB**  
Multipoint Lock



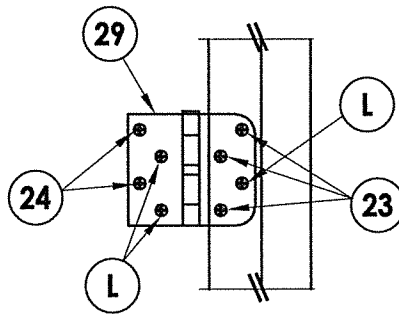
**DETAIL 1**  
Multipoint Lock Strike Plate @ Head



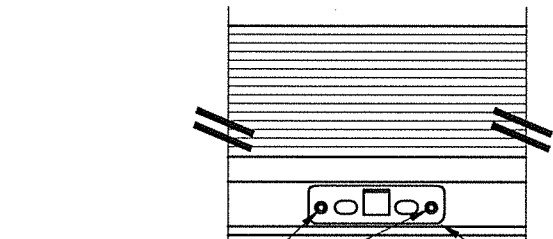
**DETAIL 2**  
Inswing  
Coastal Astragal Strike Plate @ Sill



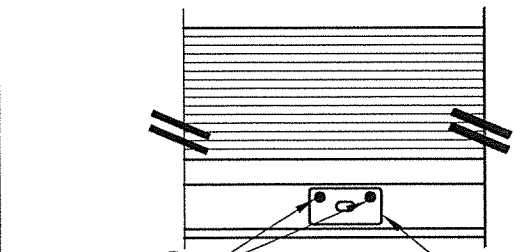
**DETAIL 2**  
Outswing  
Astragal Bolt Hole @ Sill



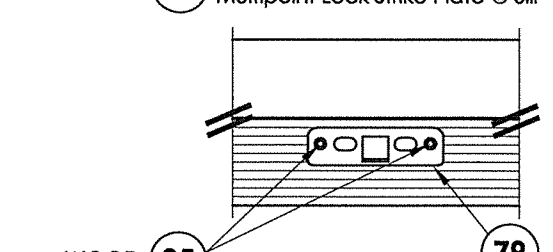
**HINGE DETAIL**



**DETAIL 2**  
Inswing  
Multipoint Lock Strike Plate @ Sill



**DETAIL 2**  
Inswing  
Coastal Astragal Strike Plate @ Sill



**DETAIL 2**  
Outswing  
Multipoint Lock Strike Plate @ Sill

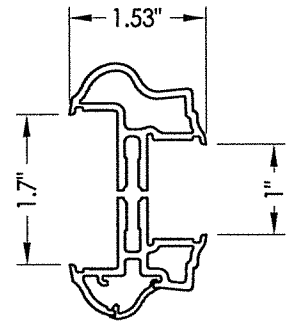
**MULTIPOINT LOCK STRIKE DETAILS**

|                   |                               |
|-------------------|-------------------------------|
| PRODUCT:          | Therma-TRU<br>FIBERGLASS DOOR |
| PART OR ASSEMBLY: | HARDWARE DETAILS              |

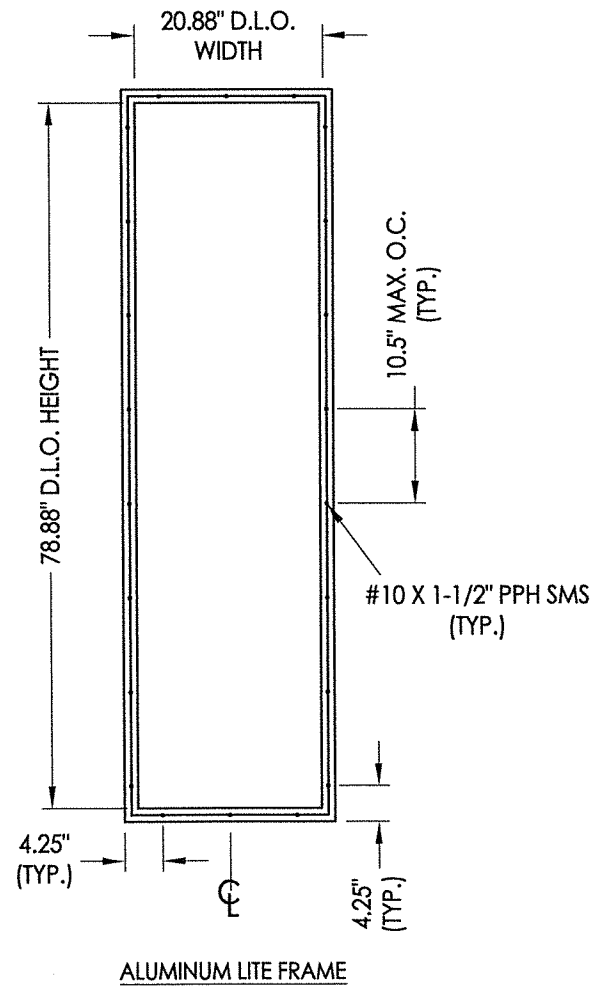
| NO. | DATE    | DESCRIPTION                 | BY  |
|-----|---------|-----------------------------|-----|
| 1   | 9/27/21 | UPDATE TO 2018 IBC/IRC CODE | LFS |

|              |          |
|--------------|----------|
| DATE:        | 10/24/17 |
| SCALE:       | N.T.S.   |
| DWG. BY:     | JK       |
| CHK. BY:     | LFS      |
| DRAWING NO.: | TX-4740  |
| SHEET        | 8 OF 11  |

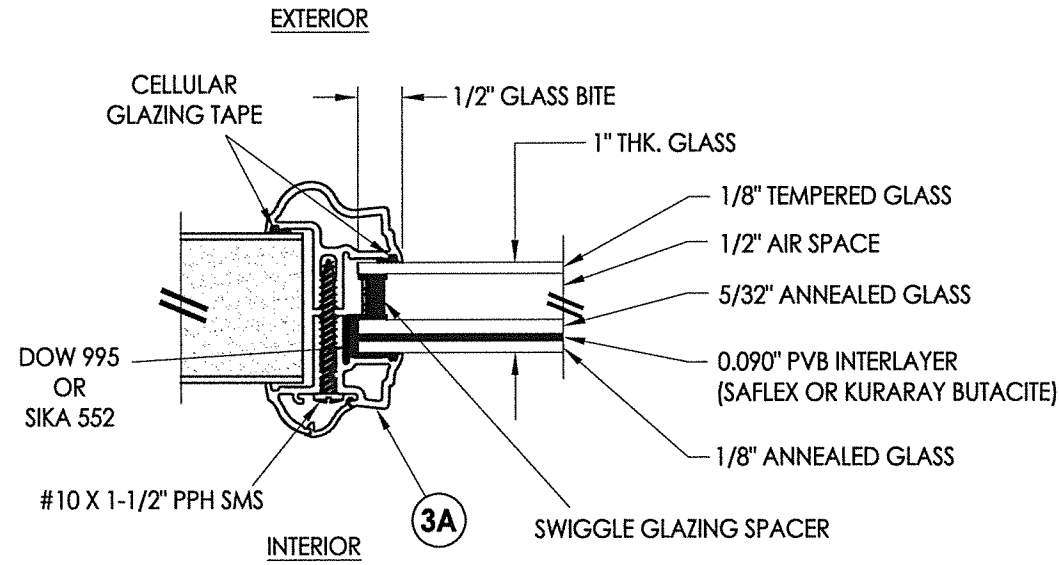




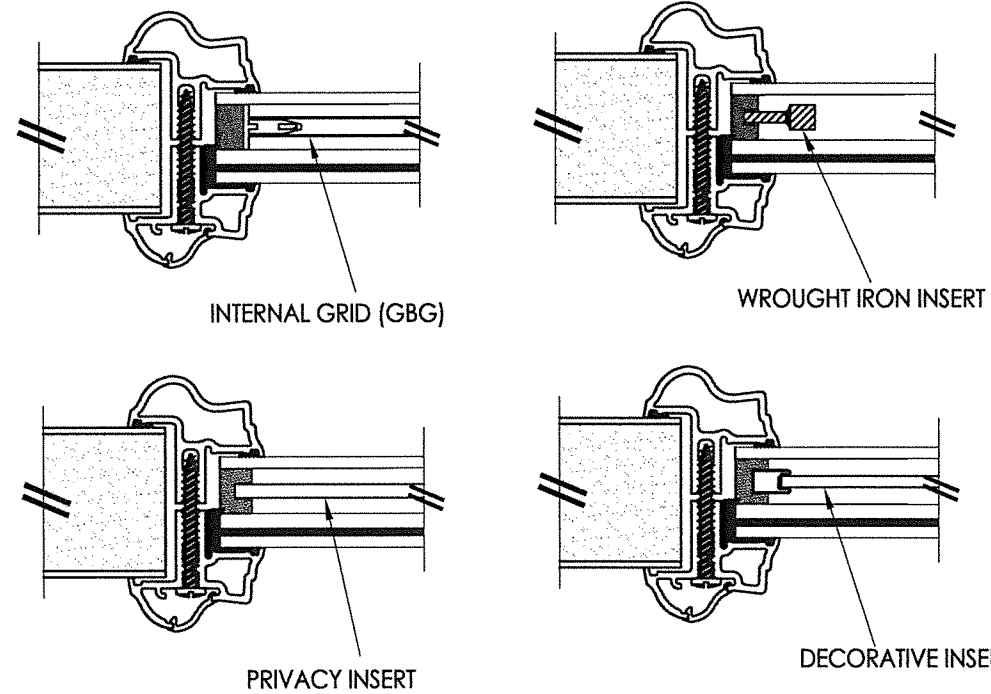
**3A ALUMINUM FRAME**  
Aluminum Impact Lite Frame  
Door Panels & Sidelites



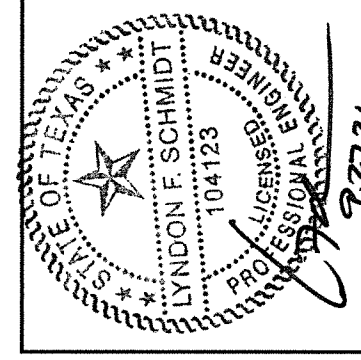
ALUMINUM LITE FRAME



**G1 GLAZING DETAIL**  
Aluminum Impact Lite Frame  
Door Panels & Sidelites



1" LAMINATED INSULATED IMPACT GLASS INSERT OPTIONS



Documents Prepared By: Lyndon F. Schmidt, P.E.  
TEXAS P.E. #104123

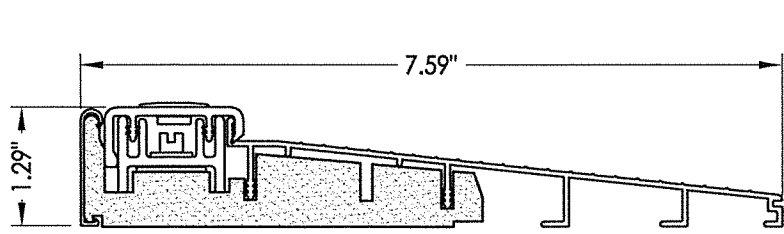
**RW** BUILDING CONSULTANTS, INC.  
P.O. Box 230 Valrico FL 33595  
Phone No.: 813.659.9197

PRODUCT: THERMA-TRU  
FIBERGLASS DOOR

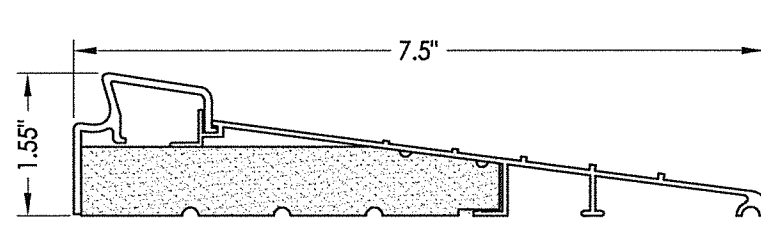
PART OR ASSEMBLY:  
GLAZING DETAILS

| NO. | DATE    | REVISIONS                   |
|-----|---------|-----------------------------|
| 1   | 9/27/21 | UPDATE TO 2018 IBC/IRC CODE |
|     |         | LFS                         |
|     |         | BY                          |

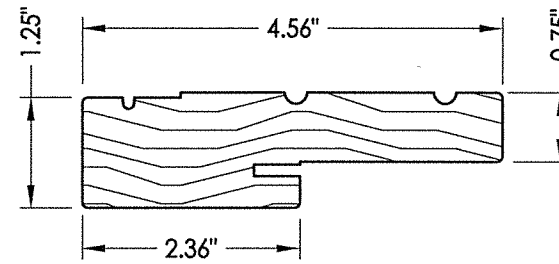
DATE: 10/24/17  
SCALE: N.T.S.  
DWG. BY: JK  
CHK. BY: LFS  
DRAWING NO.: TX-4740  
SHEET 9 of 11



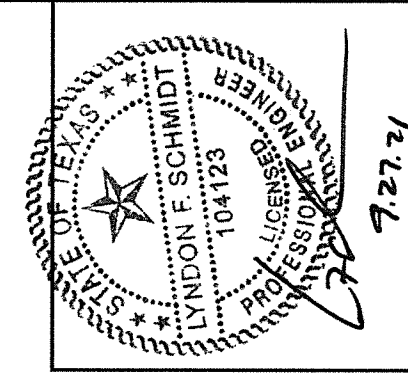
**32 INSWING THRESHOLD**  
Inswing Basic Composite Adjustable Sill 7-1/2"



**37 INSWING THRESHOLD**  
Inswing Basic Fixed 7-1/2" Sill



**1 WOOD JAMB**

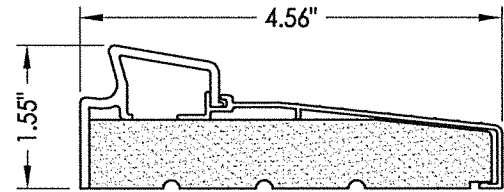


7.27.21

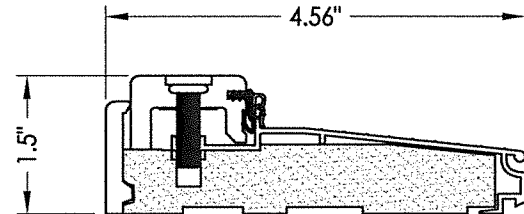
Documents Prepared By: Lyndon F. Schmidt, P.E.  
TEXAS P.E. #104123

**RW** BUILDING CONSULTANTS, INC.  
P.O. Box 230 Valrico FL 33595  
Phone No.: 813.659.9197

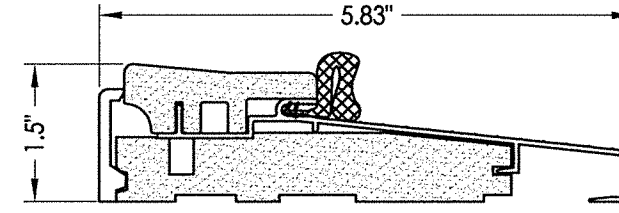
CERTIFICATE OF REGISTRATION # F-11852



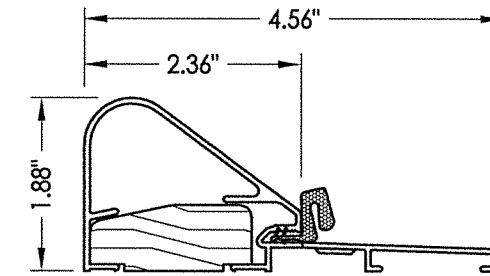
**33 INSWING THRESHOLD**  
Inswing Basic Fixed Sill



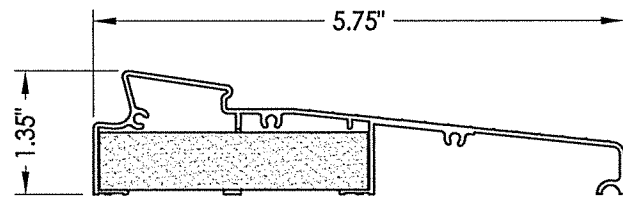
**38 INSWING THRESHOLD**  
Inswing Composite Adjustable Sill



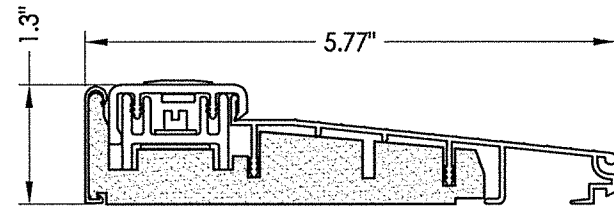
**16 OUTSWING THRESHOLD**  
Composite Sill



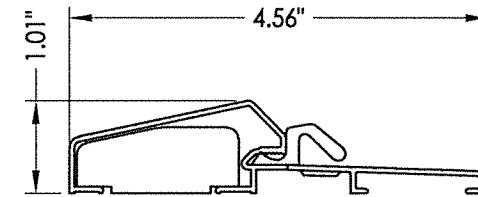
**19 COASTAL OUTSWING THRESHOLD**  
Wood / Aluminum Sill



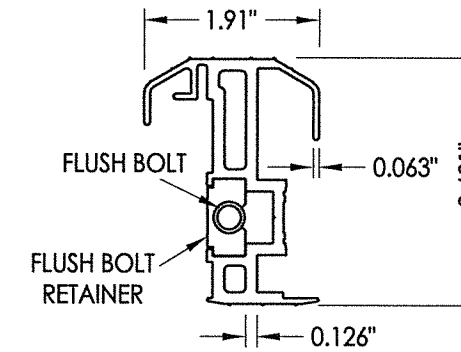
**34 INSWING THRESHOLD**  
Inswing Moderate Climate Sill 1-3/8"



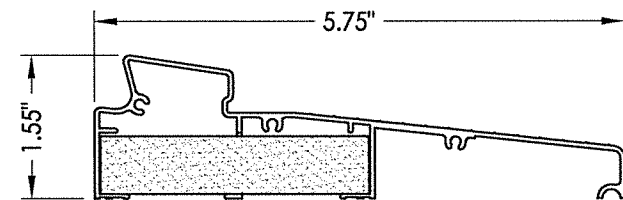
**39 INSWING THRESHOLD**  
Inswing Basic Composite Adjustable Sill



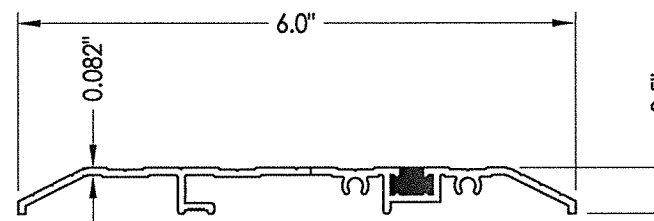
**17 OUTSWING THRESHOLD**  
Composite / Aluminum Sill



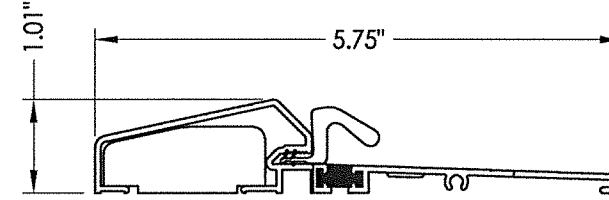
**20 COASTAL ALUMINUM ASTRAGAL**



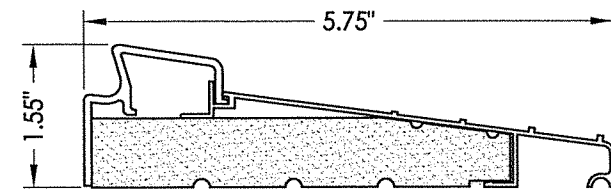
**35 INSWING THRESHOLD**  
Inswing Moderate Climate Sill



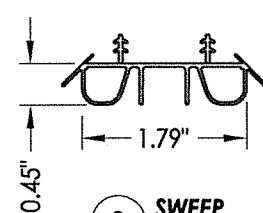
**15 PUBLIC ACCESS THRESHOLD**



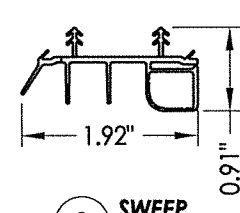
**18 OUTSWING THRESHOLD**  
Composite / Aluminum Sill  
(Thermal Break)



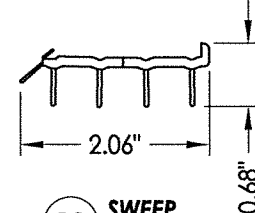
**36 INSWING THRESHOLD**  
Inswing Basic Fixed 5-3/4" Sill



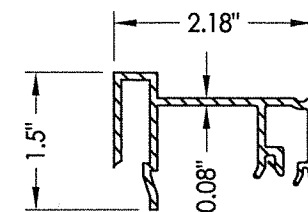
**8 SWEEP**



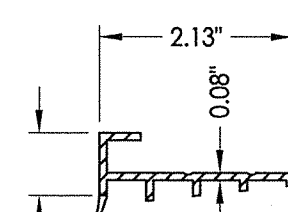
**9 SWEEP**



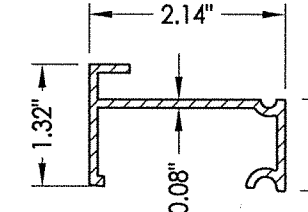
**10 SWEEP**



**75 SIDELITE SPACER**  
Inswing



**76 SIDELITE SPACER**  
Outswing



**77 SIDELITE SPACER**  
Inswing  
Moderate Climate Threshold

PRODUCT: THERMA-TRU  
FIBERGLASS DOOR

PART OR ASSEMBLY:

COMPONENTS

| NO. | DATE    | UPDATE TO 2018 IBC/IRC CODE | LFS | BY |
|-----|---------|-----------------------------|-----|----|
| 1   | 9/27/21 |                             |     |    |

|              |          |
|--------------|----------|
| DATE:        | 10/24/17 |
| SCALE:       | N.T.S.   |
| DWG. BY:     | JK       |
| CHK. BY:     | LFS      |
| DRAWING NO.: | TX-4740  |
| SHEET        | 10 of 11 |

