

THERMA-TRU® DOORS

Fiber-Classic® & Smooth-Star®

COMPOSITE EDGE OPAQUE FIBERGLASS "COASTAL - IMPACT" SINGLE DOOR w/ "NON-IMPACT" SIDELITE(S) IN SWING/OUT SWING

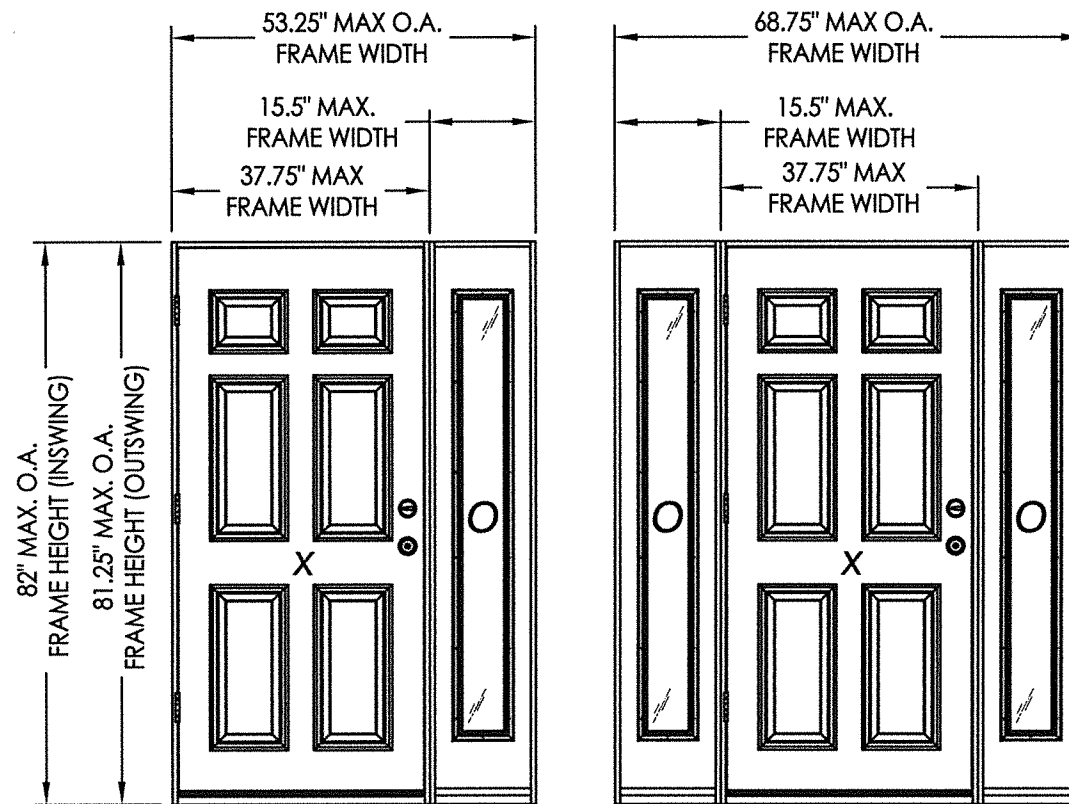
EVALUATED FOR USE IN THE STATE OF TEXAS

TDI DR-949

The Fiberglass Door system described herein complies with the 2018 International Residential Code (IRC), Sections R301 & R609 and the 2018 International Building Code (IBC), Sections 1404.13, 1609, 1709.5, 2403 and 2404 subject to the following conditions:

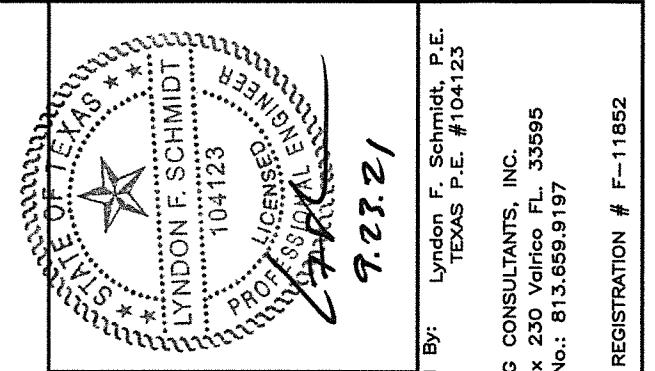
1. Anchors shall be as listed and spaced as shown in the details. Anchor embedment to base material shall be beyond wall dressing or stucco.
2. When used in areas requiring wind-borne debris protection, the opaque door does not require impact protection and meets missile level "D" as defined in ASTM E 1996. The sidelites are required to be protected with an impact resistant covering that complies with Section R301.2.1.2 of the IRC and Section 1609.1.2 of the IBC.
3. Allowable design pressure requirements must be equal to or less than the design pressure rating shown in the design pressure chart, sheet 1 of this drawing.
4. Conditions not covered by this drawing are subject to further engineering analysis.
5. Fiber-Classic and Smooth-Star Door and Sidelite panels require the use of "J" part numbers. These door and sidelite panels must be stained or painted within six months of installation.

TABLE OF CONTENTS	
SHEET #	DESCRIPTION
1	Typical Elevations, Design Pressures & General Notes
2	Door Panel Details
3	Sidelite Panel Details
4	Elevations
5	Horizontal & Vertical Cross Sections
6	Vertical Cross Sections (Thresholds)
7	Frame Anchoring
8	Hardware Details
9	Glazing Details
10	Components
11	Bill of Materials



CONFIGURATION	DESIGN PRESSURE (PSF) IN SWING		DESIGN PRESSURE (PSF) OUT SWING	
	POSITIVE	NEGATIVE	POSITIVE	NEGATIVE
XO, OX, OXO	+60.0	-60.0	+60.0	-60.0

See Sheet 4 for Hardware Specifications



Documents Prepared By: Lyndon F. Schmidt, P.E.
TEXAS P.E. #104123

RW BUILDING CONSULTANTS, INC.
P.O. Box 230 Vairico FL 33595
Phone No.: 813.659.9197

CERTIFICATE OF REGISTRATION # F-11852

PRODUCT: THERMA-TRU FIBERGLASS DOOR

PART OR ASSEMBLY: TYPICAL ELEVATION, DESIGN PRESSURES & GENERAL NOTES

NO.	DATE	BY	REVISIONS
1	9/23/21	LFS	UPDATE TO 2018 IBC/IRC CODE

DATE: 11/14/17

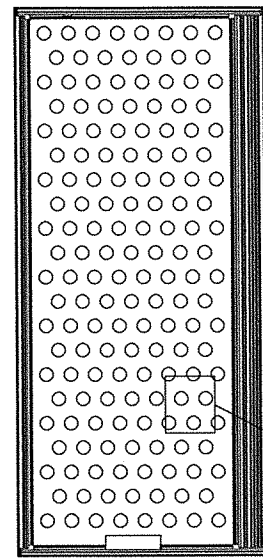
SCALE: N.T.S.

DWG. BY: JK

CHK. BY: LFS

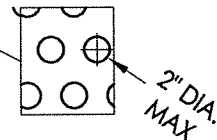
DRAWING NO.: TX-4741

SHEET 1 OF 11



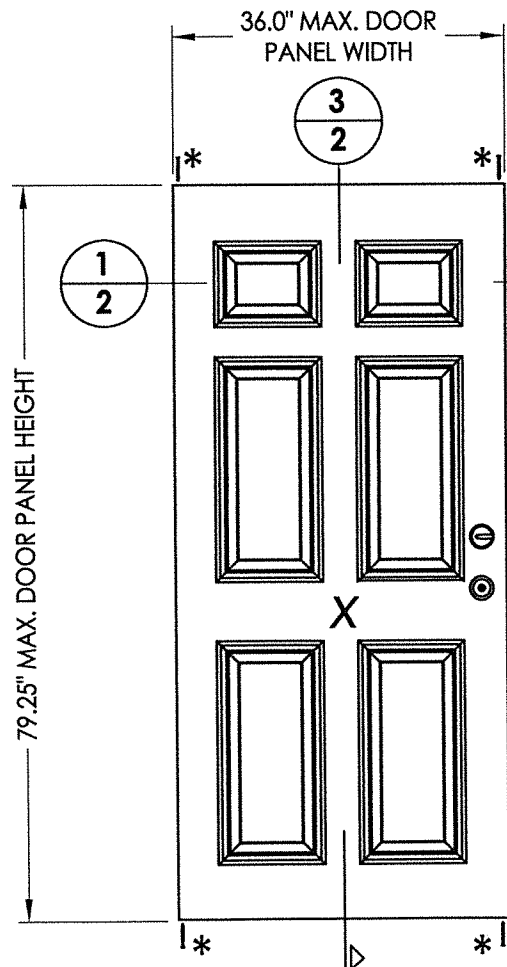
DETAIL A-A
PANEL REINFORCEMENT
(0.023" Thick Steel)

STEEL REINFORCEMENT
28.86% OPEN
AREA MAX.

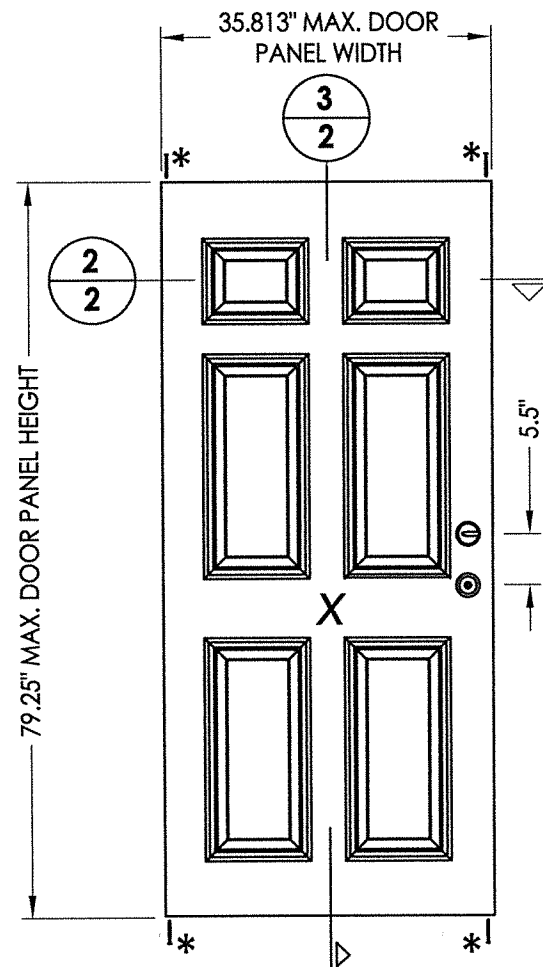


2" DIA.
MAX.

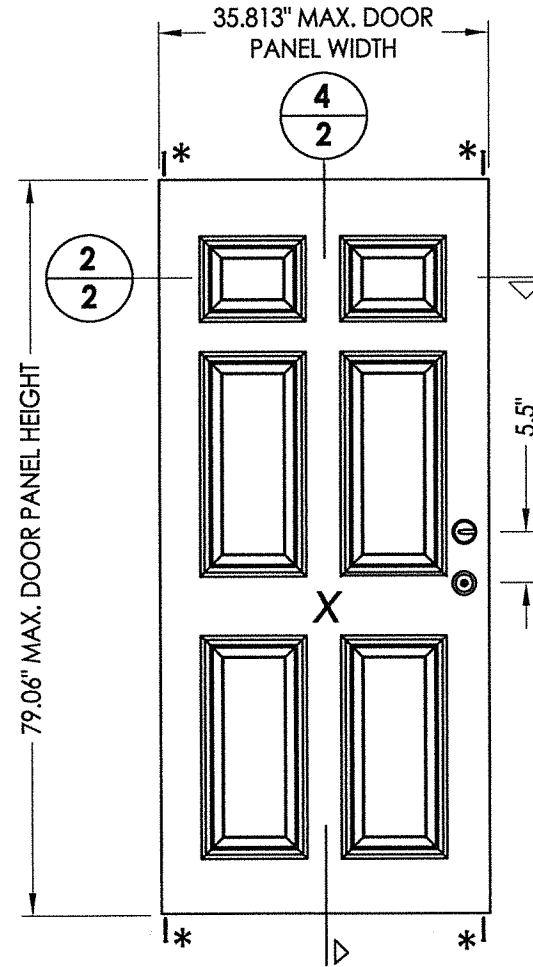
* #8 X 2.5" PFH WS (TYP. @ EACH DOOR CORNER)



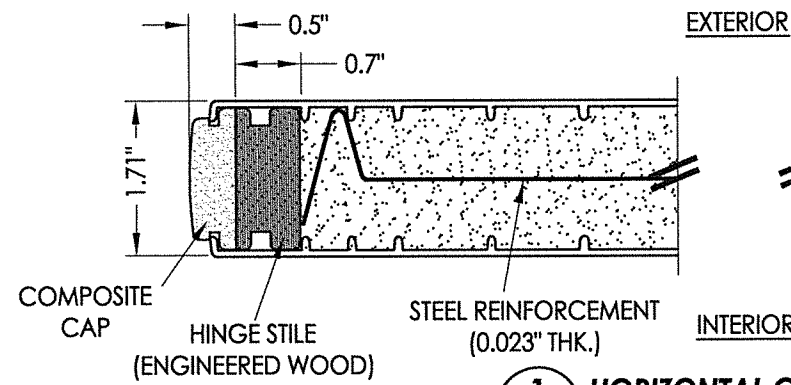
40 DOOR PANEL
BOOK



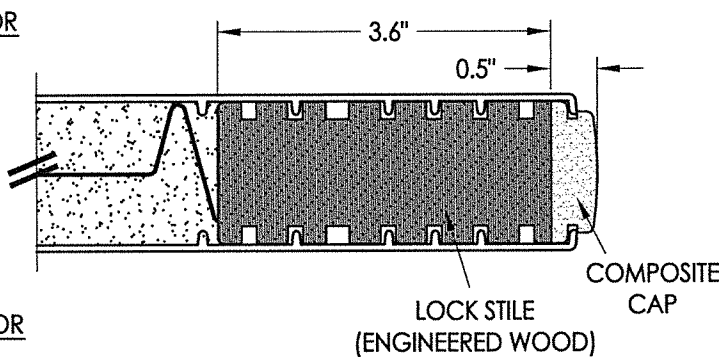
41 DOOR PANEL
Hybrid Door



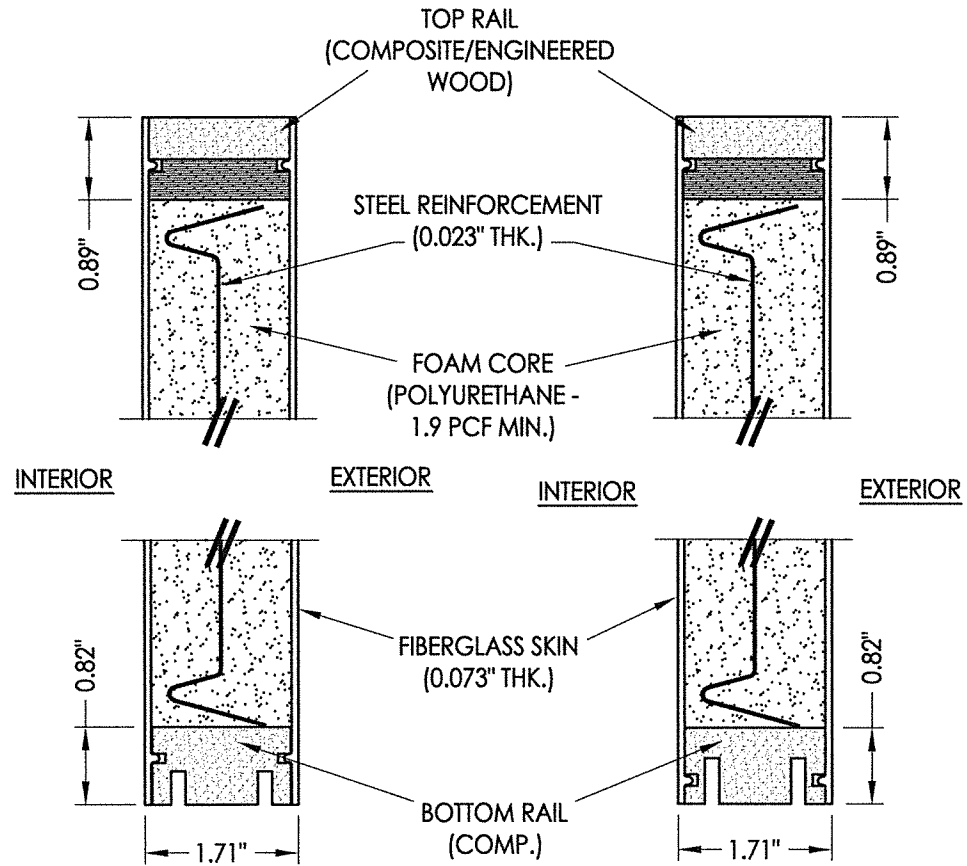
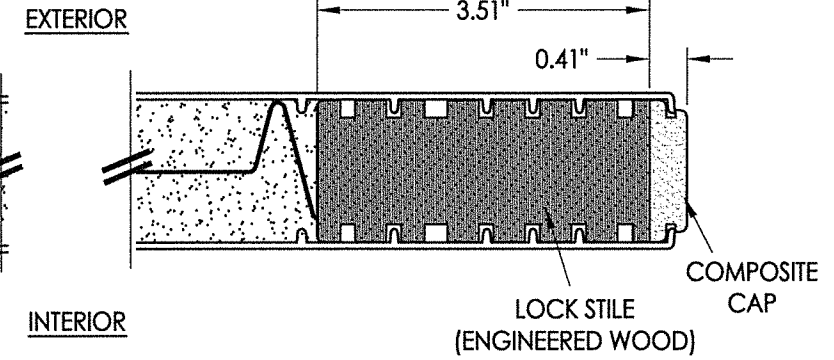
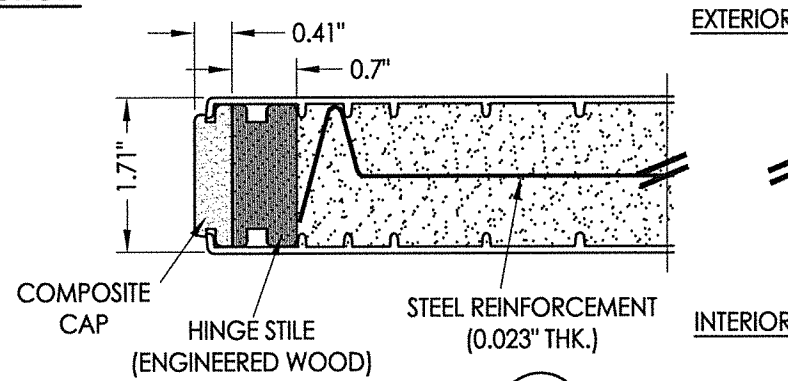
42 DOOR PANEL
U1 Door



1 HORIZONTAL CROSS SECTION

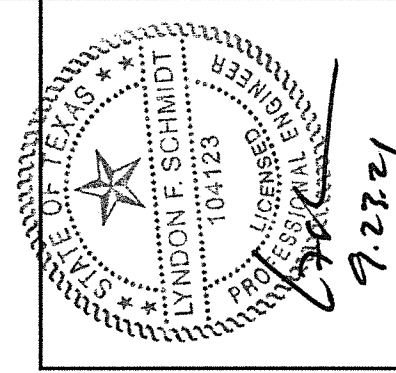


2 HORIZONTAL CROSS SECTION



3 VERTICAL CROSS SECTION

4 VERTICAL CROSS SECTION



Documents Prepared By: Lyndon F. Schmidt, P.E.
TEXAS P.E. #104123

RW BUILDING CONSULTANTS, INC.
P.O. Box 230 Valrico FL, 33595
Phone No.: 813.659.9197

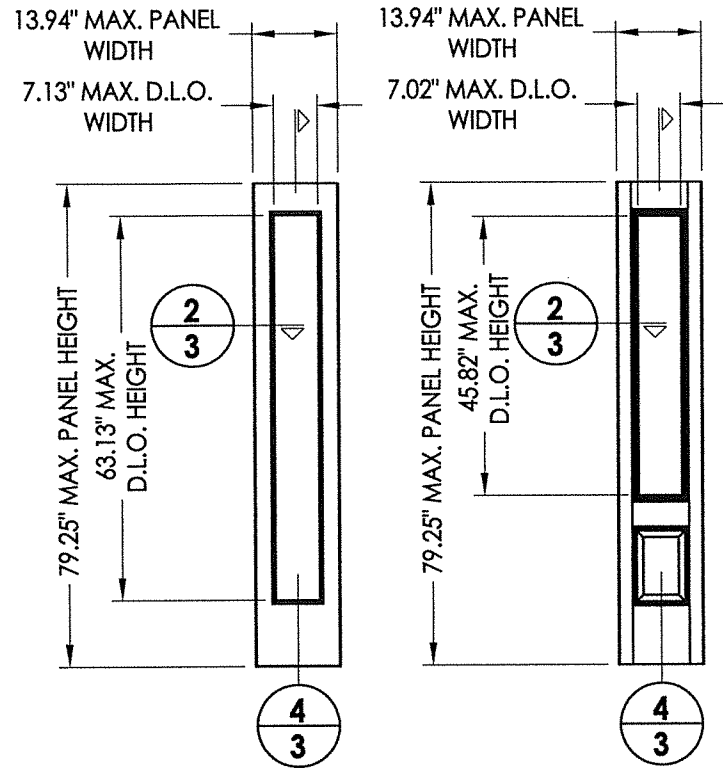
CERTIFICATE OF REGISTRATION # F-11852

PRODUCT: THERMA-TRU
FIBERGLASS DOOR

PART OR ASSEMBLY:
DOOR PANEL DETAILS

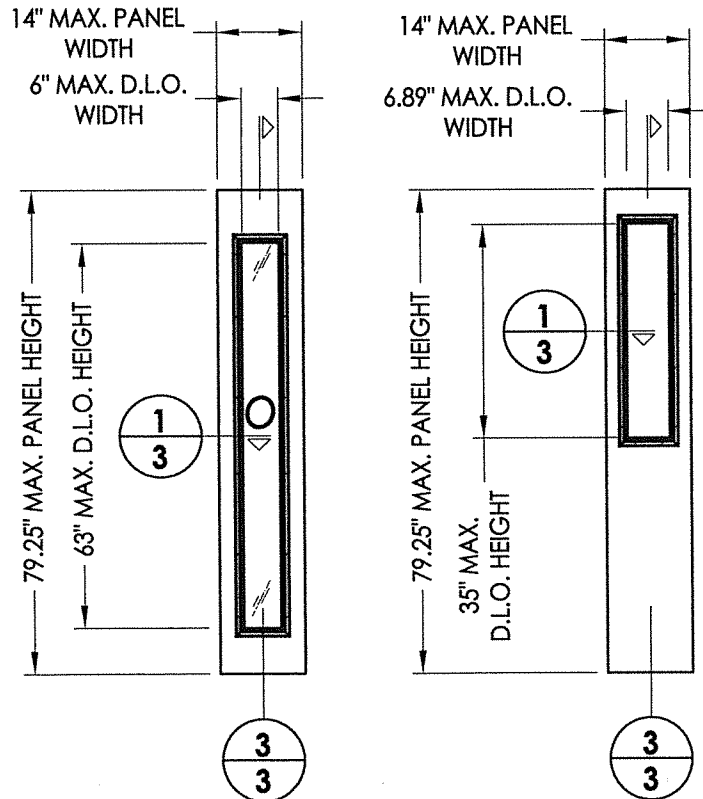
REVISIONS	
NO.	DATE
1	9/23/21
	UPDATE TO 2018 IBC/IRC CODE
	LFS
	BY

DATE: 11/14/17
SCALE: N.T.S.
DWG. BY: JK
CHK. BY: LFS
DRAWING NO.: TX-4741
SHEET 2 OF 11



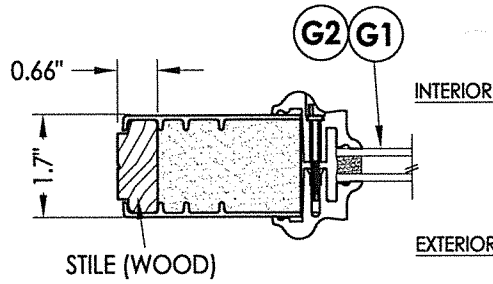
60 SIDELITE PANEL
Full Lite
Flush Glazed

60 SIDELITE PANEL
3/4 Lite
Flush Glazed

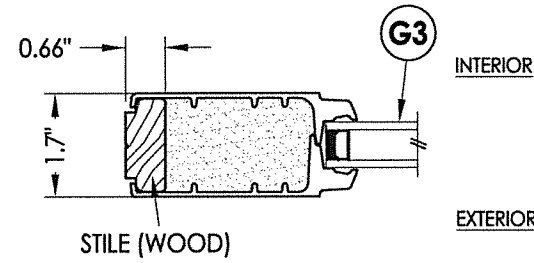


50 SIDELITE PANEL
Full Lite
Lip Lite

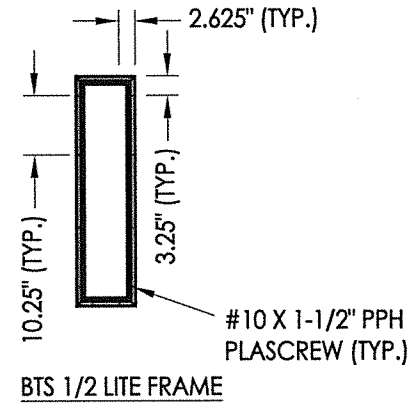
50 SIDELITE PANEL
Half Lite
Lip Lite



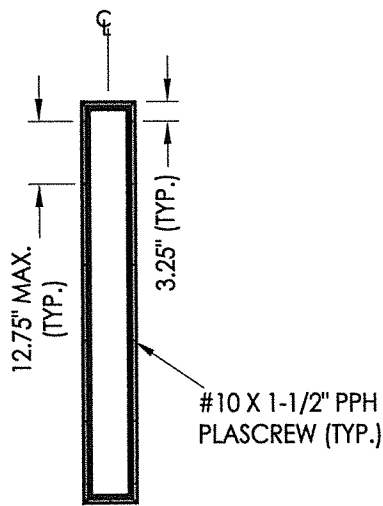
1 HORIZONTAL CROSS SECTION
3 Lip Lite Glazing



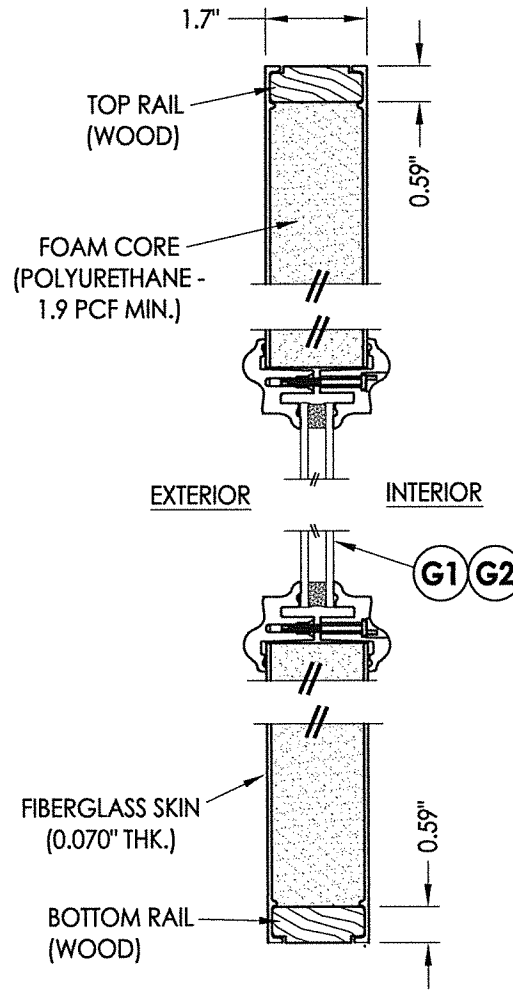
2 HORIZONTAL CROSS SECTION
3 Flush Glazing



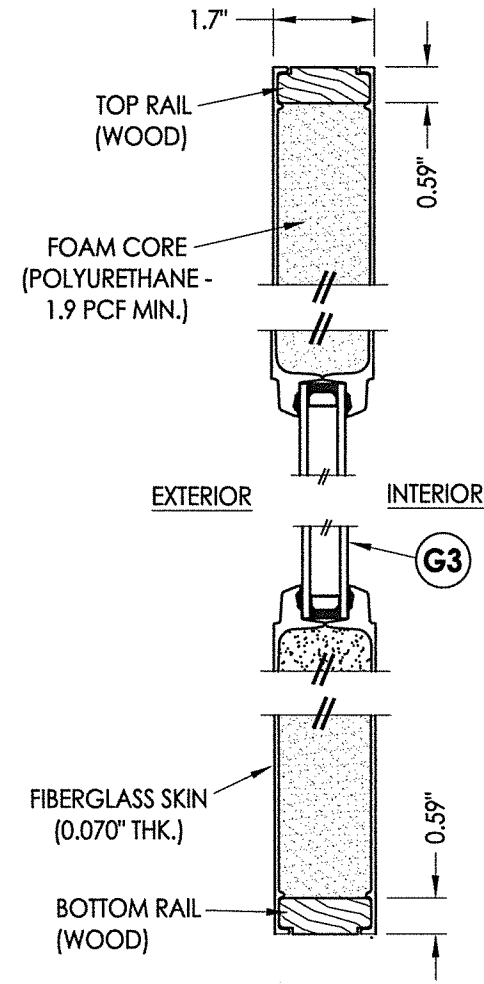
BTS 1/2 LITE FRAME



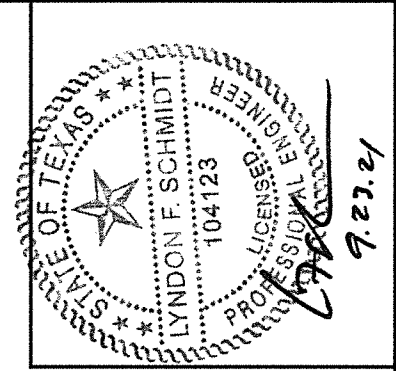
BTS FULL LITE FRAME



3 VERTICAL CROSS SECTION
3 Lip Lite Glazing Shown



4 VERTICAL CROSS SECTION
3 Flush Glazing Shown

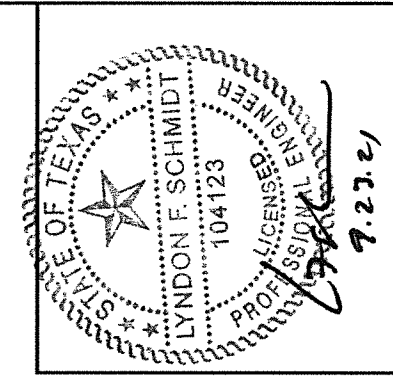
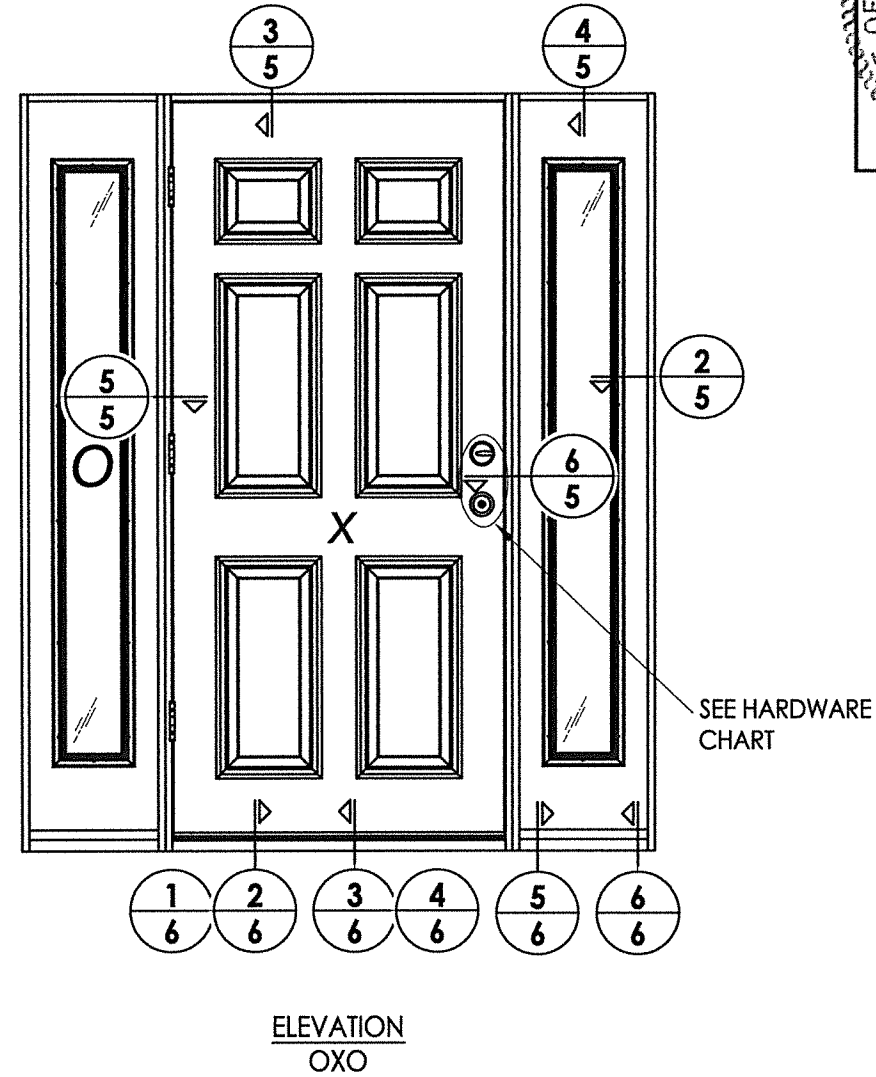
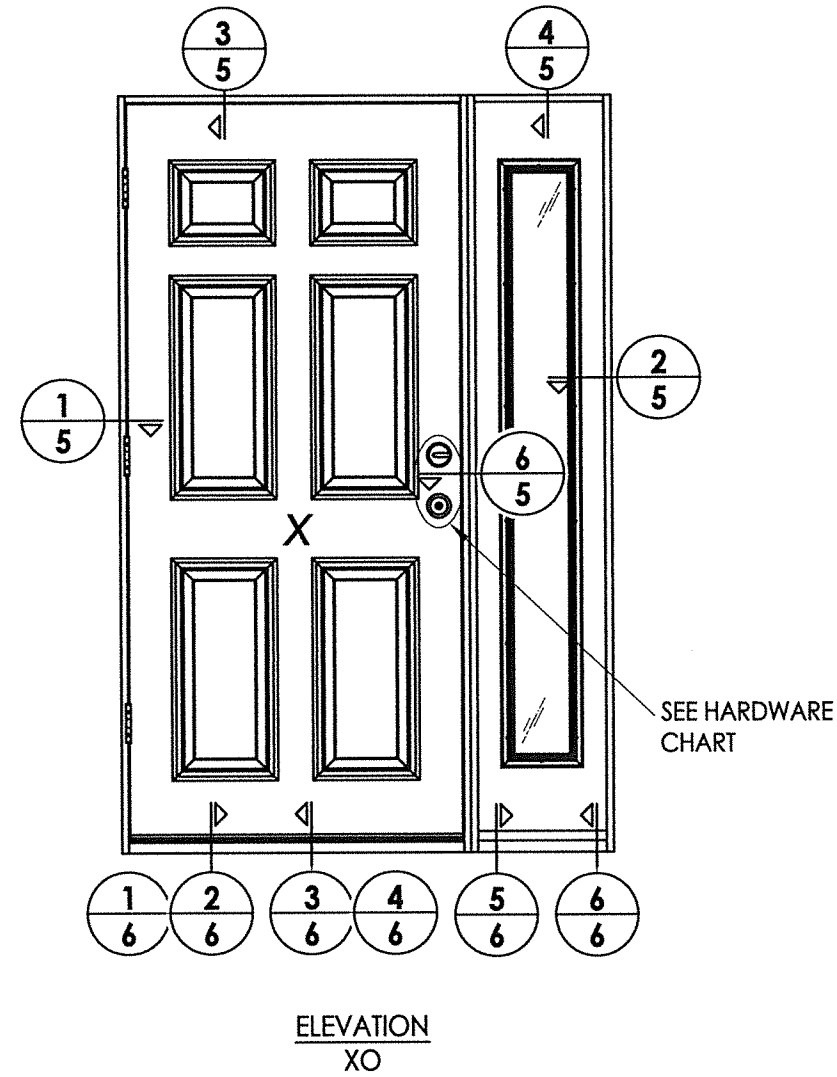


Documents Prepared By: Lyndon F. Schmidt, P.E.
TEXAS P.E. #104123

R.W. BUILDING CONSULTANTS, INC.
P.O. Box 230 Valrico FL 33595
Phone No.: 813.659.9197

CERTIFICATE OF REGISTRATION # F-11852

PRODUCT:		THERMA TRU FIBERGLASS DOOR	
PART OR ASSEMBLY:		SIDELITE PANEL DETAILS	
NO.	DATE	BY	REVISIONS
1	9/23/21	LFS	UPDATE TO 2018 IBC/IRC CODE
DATE: 11/14/17			
SCALE: N.T.S.			
DWG. BY: JK			
CHK. BY: LFS			
DRAWING NO.: TX-4741			
SHEET 3 OF 11			



Documents Prepared By: Lyndon F. Schmidt, P.E.
TEXAS P.E. #104123

RW BUILDING CONSULTANTS, INC.
P.O. Box 230 Valrico FL, 33595
Phone No.: 813.659.9197

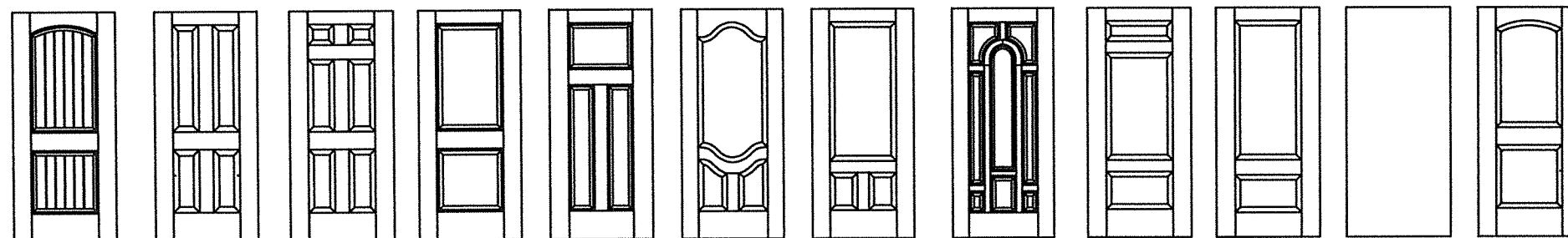
CERTIFICATE OF REGISTRATION # F-11852

PRODUCT: THERMA-TRU FIBERGLASS DOOR

PART OR ASSEMBLY: ELEVATIONS

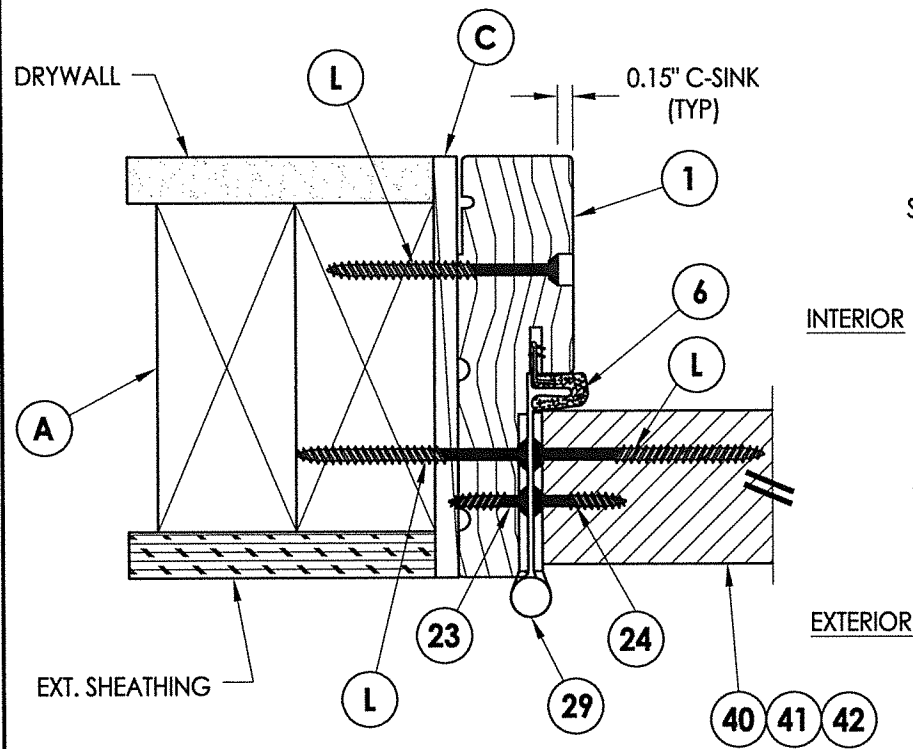
REVISIONS	
NO.	DATE
1	9/23/21
	UPDATE TO 2018 IBC/IRC CODE
	LFS
	BY

DATE: 11/14/17
SCALE: N.T.S.
DWG. BY: JK
CHK. BY: LFS
DRAWING NO.: TX-4741
SHEET 4 OF 11

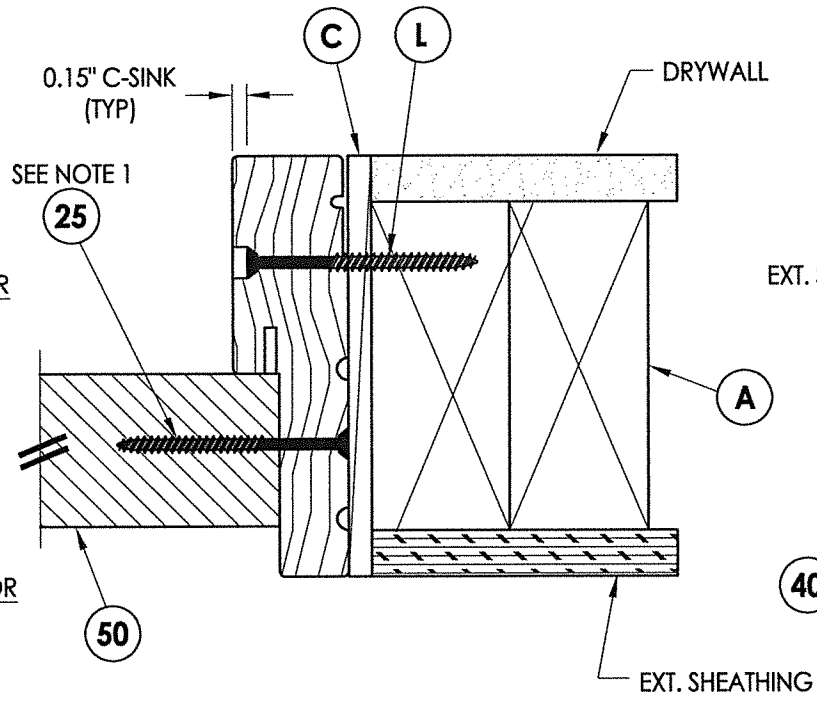


Fiber-Classic/Smooth-Star Door Panel Options
Panel options shown are for illustration and are representative only
(similar opaque panel configurations are allowed)

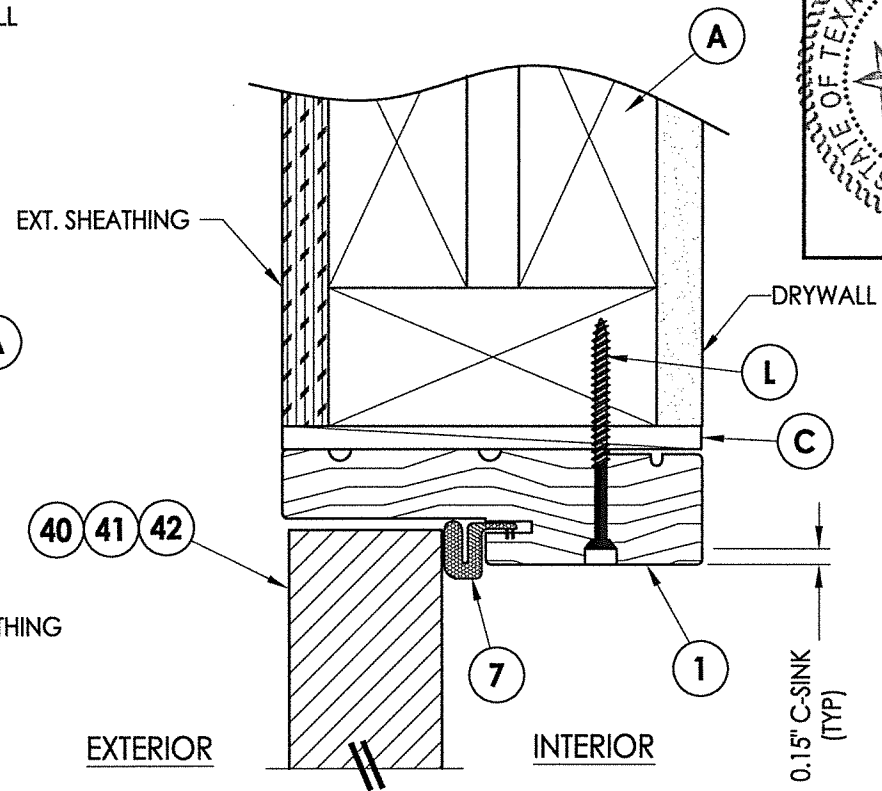
HARDWARE TABLE		
MANUFACTURER	MODEL	
SCHLAGE	KNOB:	F51
	DEADBOLT:	B60
KWIKSET	KNOB:	SIGNATURE SERIES
	DEADBOLT:	SIGNATURE SERIES (980)
HOPPE (THERMA-TRU)	MULTIPOINT : MPDGART (3 pt. Manual Tongue)	



1 **HORIZONTAL CROSS SECTION**
5 Shown w/ 2X Buck
 Outswing shown (Inswing similar)

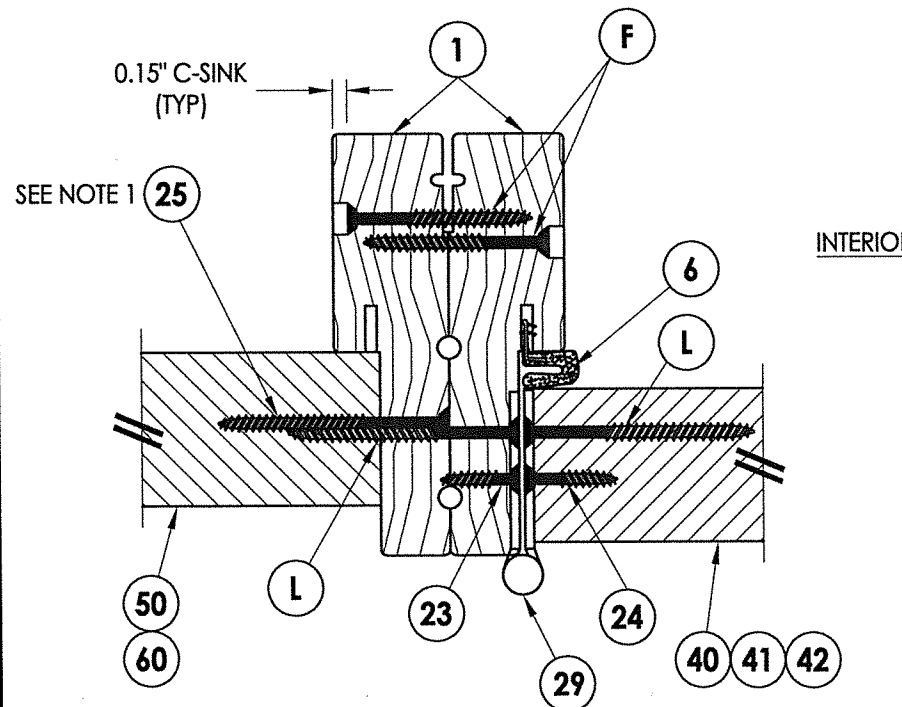


2 **HORIZONTAL CROSS SECTION**
5 Shown w/ 2X Buck
 Outswing shown (Inswing similar)

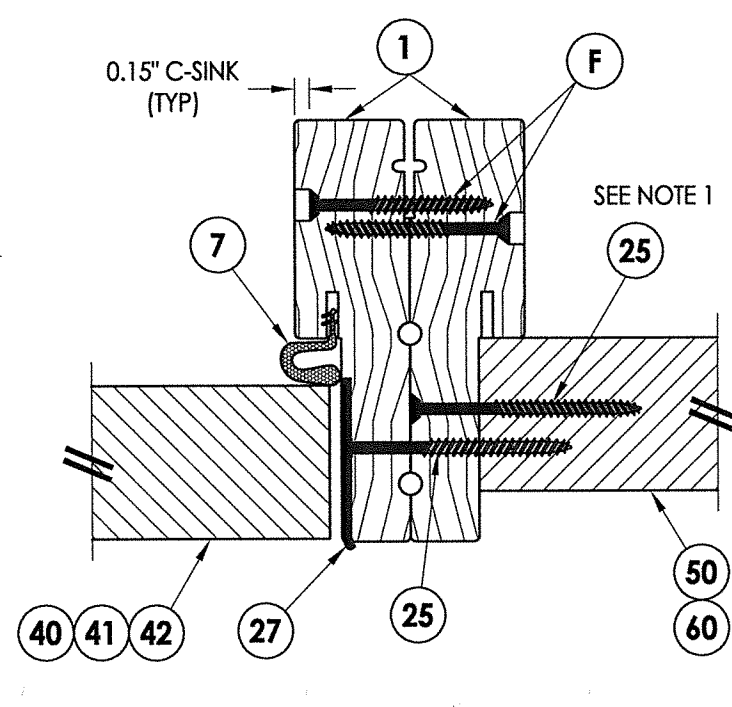


3 **VERTICAL CROSS SECTION**
5 Shown w/ 2X Buck
 Outswing shown (Inswing similar)

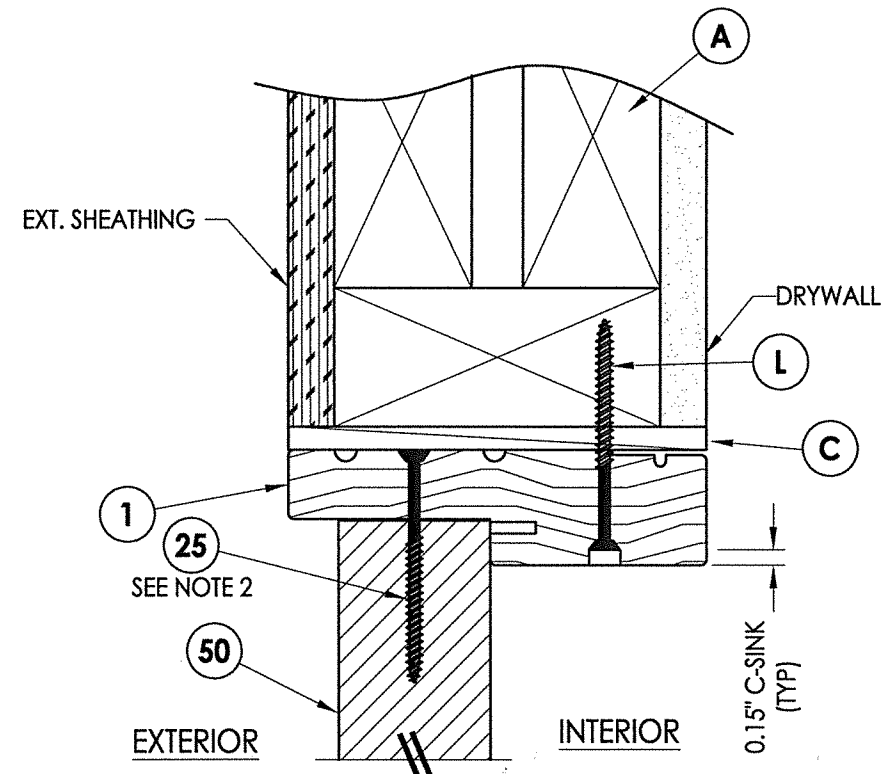
Notes:
 1. Sidelite assembly screws located 6" from each end and 5 more screws equally spaced between (7 screws total per side jamb).
 2. Sidelite assembly screws located 4" from each end (2 screws along head jamb).



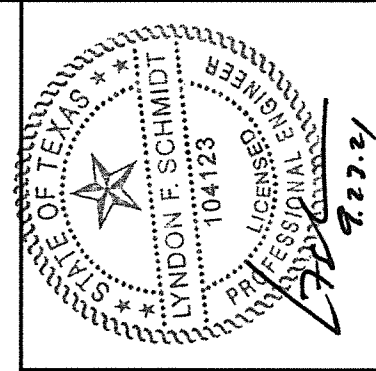
5 **HORIZONTAL CROSS SECTION**
5 Outswing shown (Inswing similar)



6 **HORIZONTAL CROSS SECTION**
5 Outswing shown (Inswing similar)



4 **VERTICAL CROSS SECTION**
5 Shown w/ 2X Buck
 Outswing shown (Inswing similar)



Documents Prepared By: Lyndon F. Schmidt, P.E.
 TEXAS P.E. #104123

RW BUILDING CONSULTANTS, INC.
 P.O. Box 230 Valrico FL 33595
 Phone No.: 813.659.9197

© 2017 R.W. BUILDING CONSULTANTS INC.

PRODUCT:		THERMA-TRU FIBERGLASS DOOR	
PART OR ASSEMBLY:		HORIZONTAL & VERTICAL CROSS SECTIONS	
NO.	DATE	DESCRIPTION	BY
1	9/23/21	UPDATE TO 2018 IBC/IRC CODE	LFS
DATE:		11/14/17	
SCALE:		N.T.S.	
DWG. BY:		JK	
CHK. BY:		LFS	
DRAWING NO.:		TX-4741	
SHEET		5 OF 11	

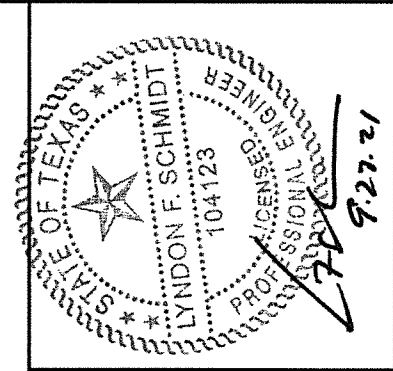
REVISIONS

CERTIFICATE OF REGISTRATION # F-11852

Z:\Clients\Therma Tru PERMANENT\B - Texas Dept of Ins\TDI - DR 949 - 6'8 & 8'0 Opaque Comp Edge Coastal Impact w NI Sidelites (TX 4741 - 4744)\C - Drawings\TX-4741-42.dwg

Notes:

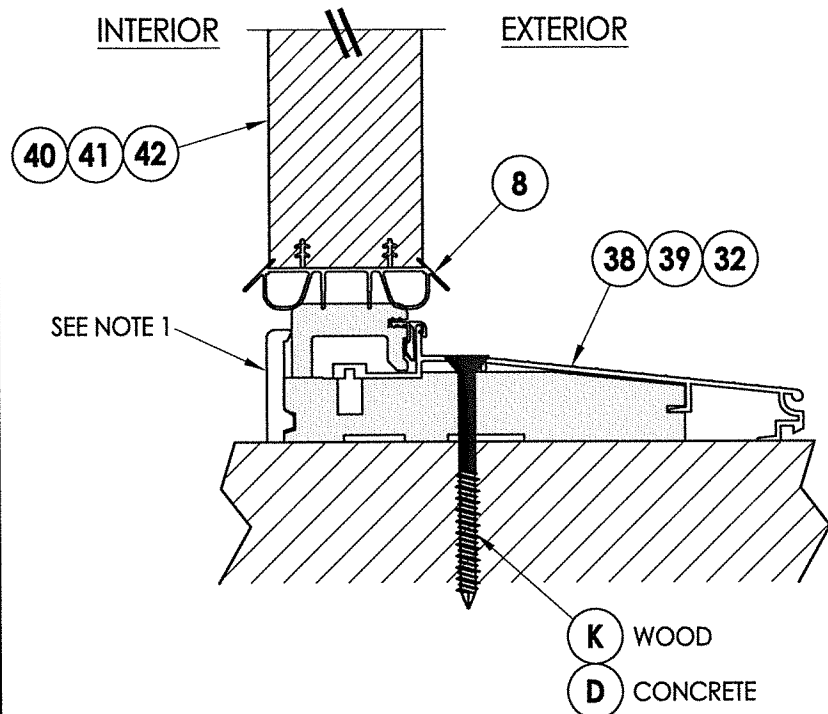
- Sill Item #'s 16, 32, 33, 34, 35, 36, 37, 38 & 39 are attached to jambs w/ (3) #8 X 2-1/2" pfh screws at each end.
Sill Item #'s 17, 18 & 19 are attached to jambs w/ (2) #8 X 2-1/2" pfh screws at each end.
Sill Item #15 is attached to jambs utilizing (2) #10 X 1-1/2" pph screws at each end.
- Sidelite assembly screws located 4" from each end (2 screws along sill).



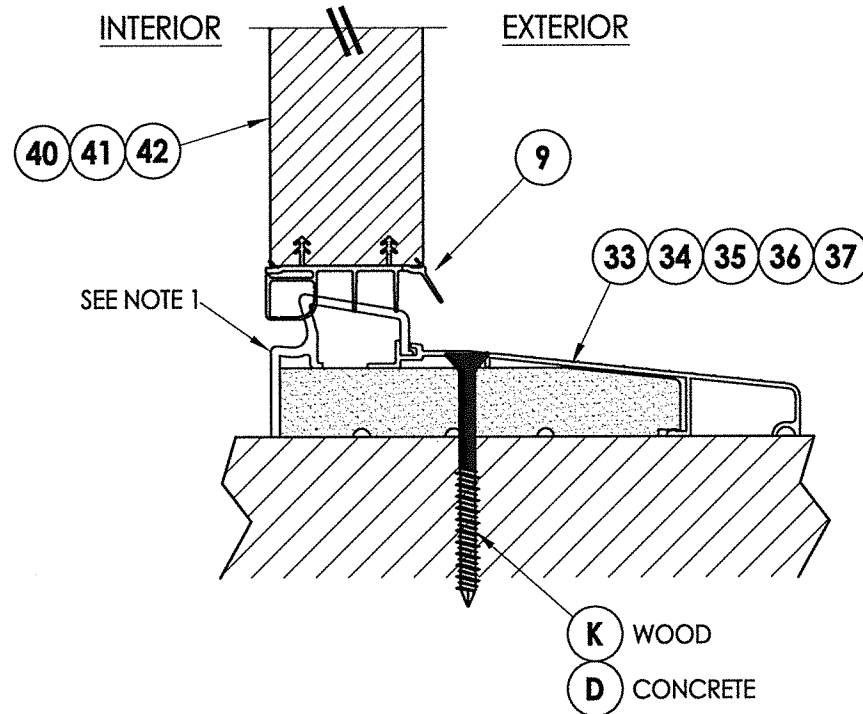
Documents Prepared By: Lyndon F. Schmidt, P.E.
TEXAS P.E. #104123

RW BUILDING CONSULTANTS, INC.
P.O. Box 230 Valrico FL, 33595
Phone No.: 813.659.9197

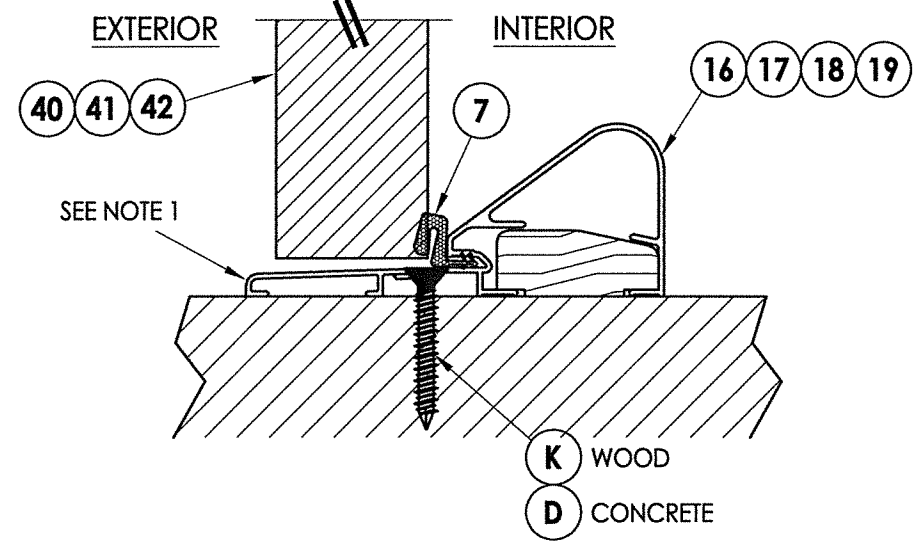
CERTIFICATE OF REGISTRATION # F-11852



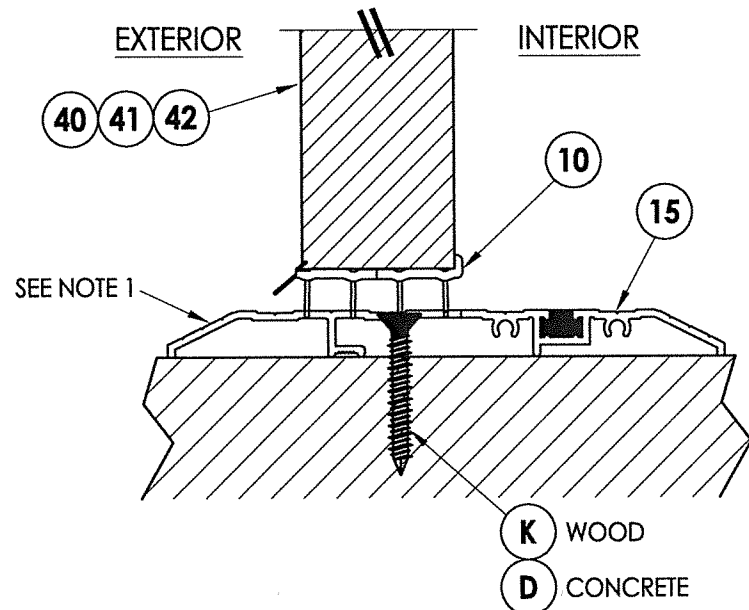
1 VERTICAL CROSS SECTION
6 Inswing Sill



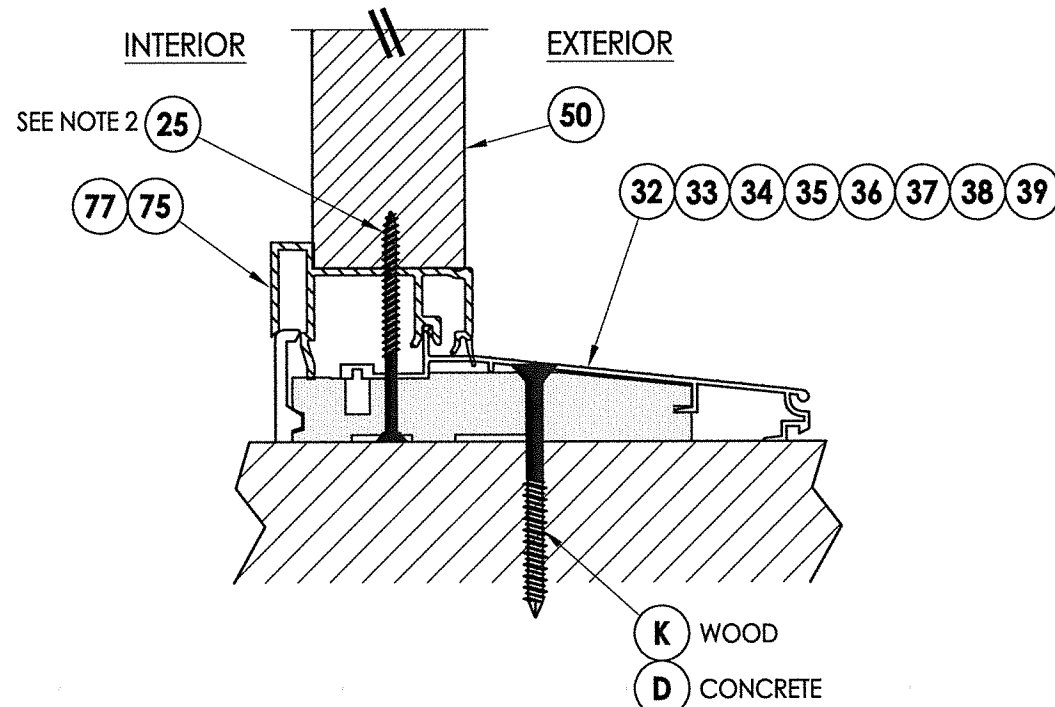
2 VERTICAL CROSS SECTION
6 Inswing Sill



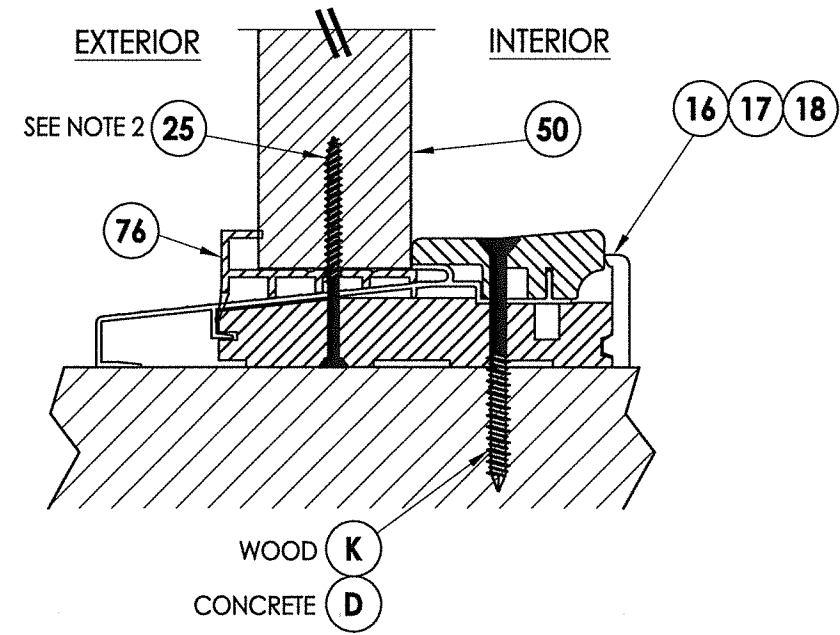
3 VERTICAL CROSS SECTION
6 Outswing Sill



4 VERTICAL CROSS SECTION
6 Public Access Sill



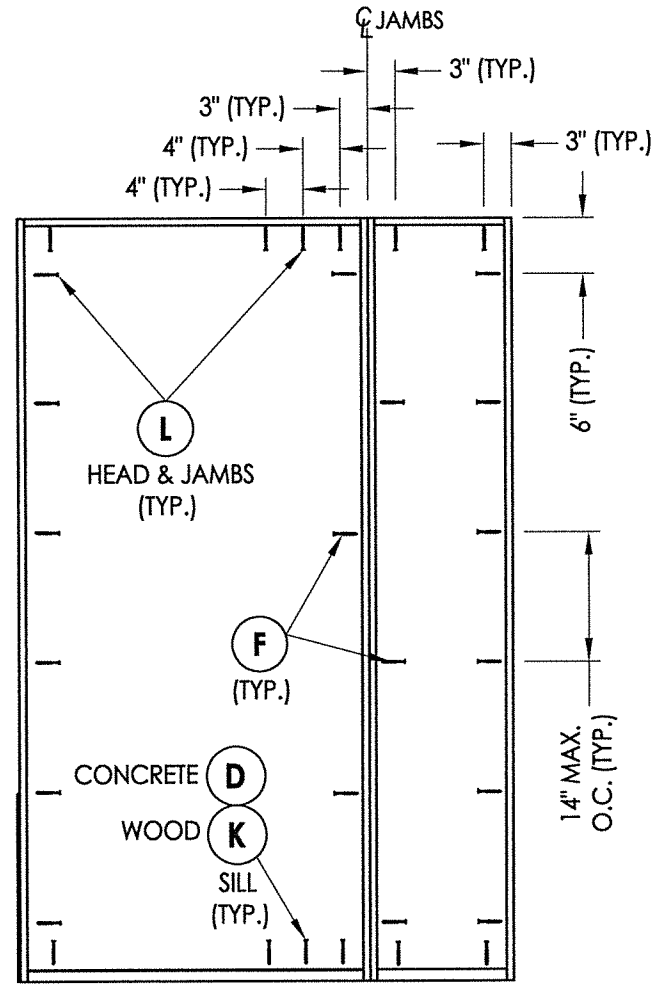
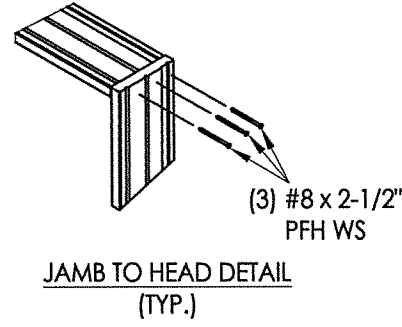
5 VERTICAL CROSS SECTION
6 Inswing Sill



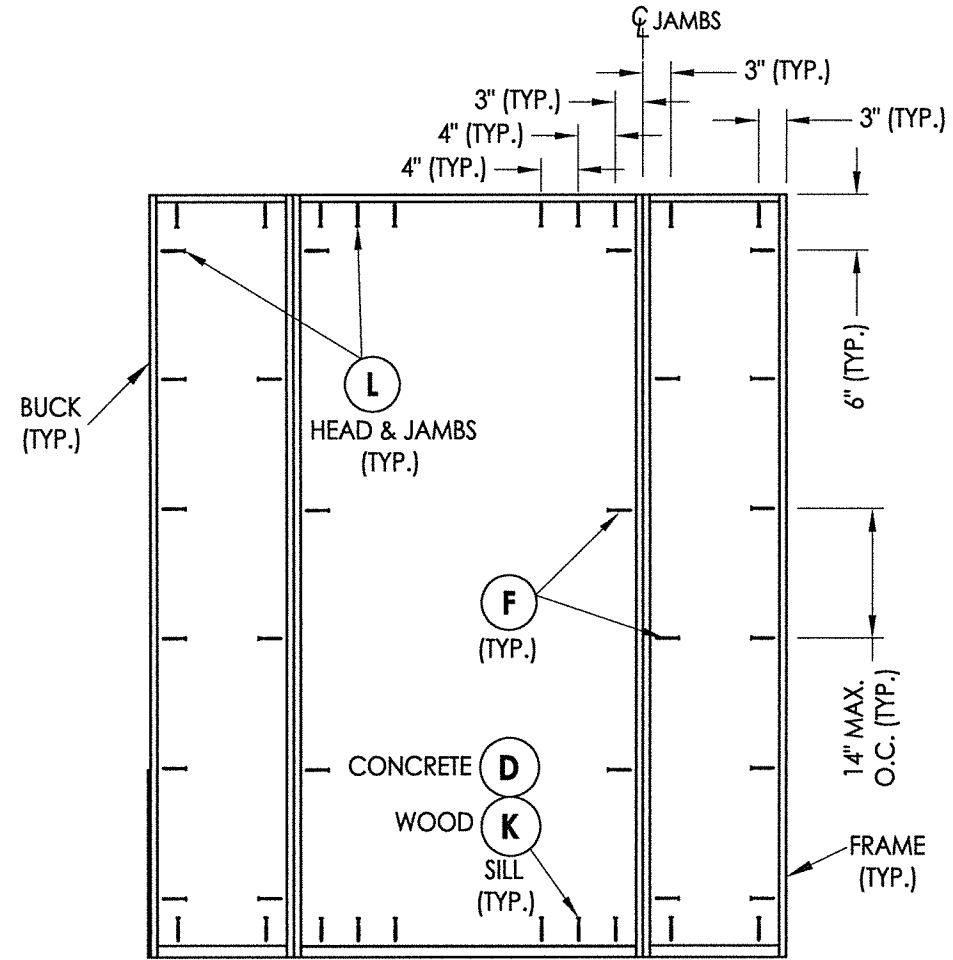
6 VERTICAL CROSS SECTION
6 Outswing Sill

PRODUCT:		THERMA-TRU FIBERGLASS DOOR	
PART OR ASSEMBLY:		VERTICAL CROSS SECTIONS (THRESHOLDS)	
NO.	DATE	DESCRIPTION	BY
1	9/23/21	UPDATE TO 2018 IBC/IRC CODE	LFS
REVISIONS			
DATE: 11/14/17			
SCALE: N.T.S.			
DWG. BY: JK			
CHK. BY: LFS			
DRAWING NO.: TX-4741			
SHEET 6 OF 11			

© 2017 R.W. BUILDING CONSULTANTS INC.

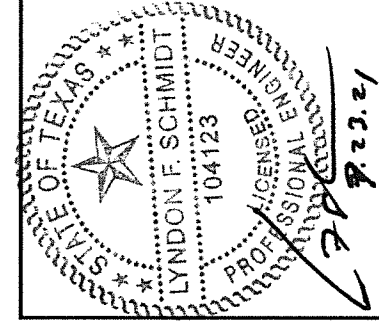


XO/OX



OXO

FRAME ANCHORING

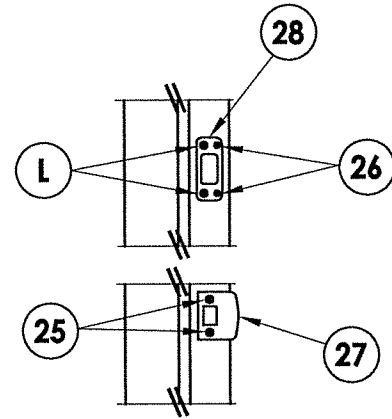


Documents Prepared By: Lyndon F. Schmidt, P.E.
TEXAS P.E. #104123

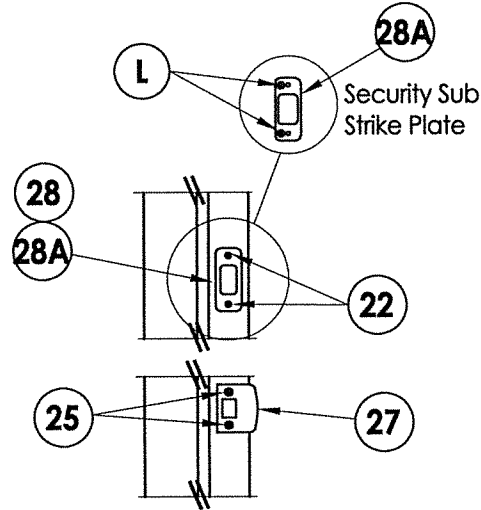
RW BUILDING CONSULTANTS, INC.
P.O. Box 230 Valrico FL 33595
Phone No.: 813.659.9197

CERTIFICATE OF REGISTRATION # F-11852

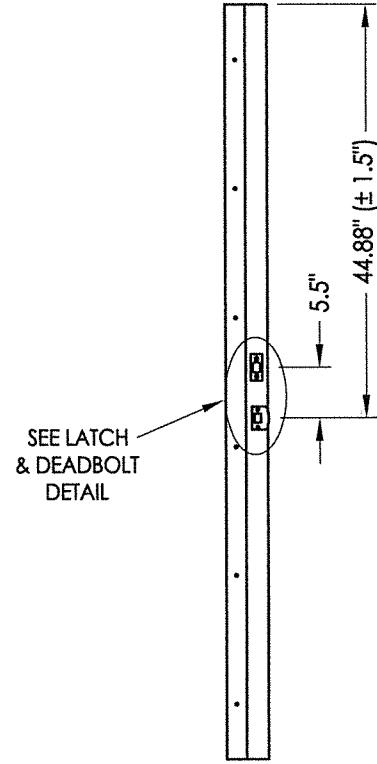
PRODUCT:		THERMA-TRU FIBERGLASS DOOR	
PART OR ASSEMBLY:		FRAME ANCHORING	
NO.	DATE	UPDATE TO 2018 IBC/IRC CODE	BY
1	9/23/21	LFS	JK
REVISIONS			
DATE: 11/14/17			
SCALE: N.T.S.			
DWG. BY: JK			
CHK. BY: LFS			
DRAWING NO.: TX-4741			
SHEET 7 OF 11			



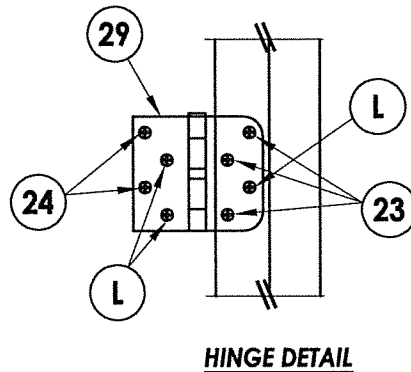
LATCH & DEADBOLT DETAIL
Kwikset



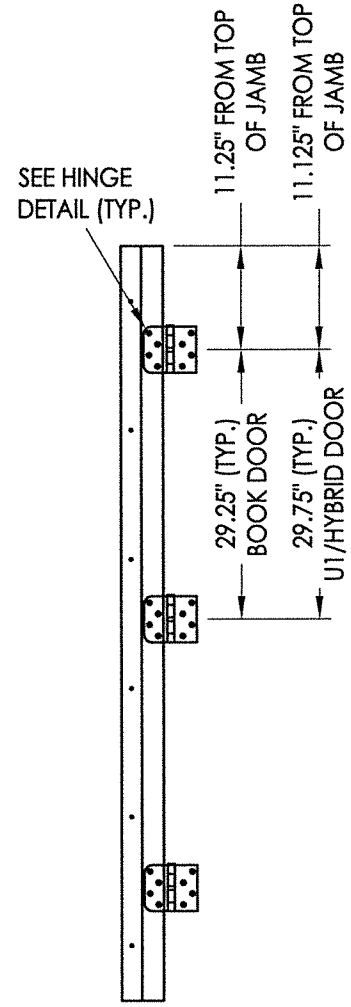
LATCH & DEADBOLT DETAIL
Schlage



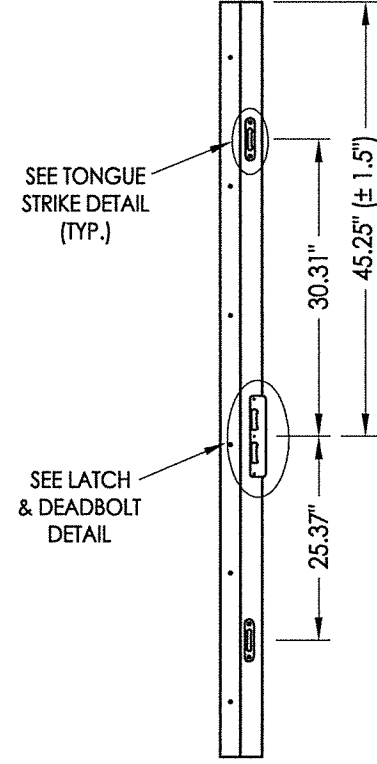
STRIKE JAMB
Latch and Deadbolt



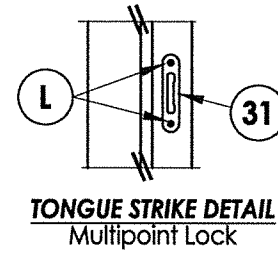
HINGE DETAIL



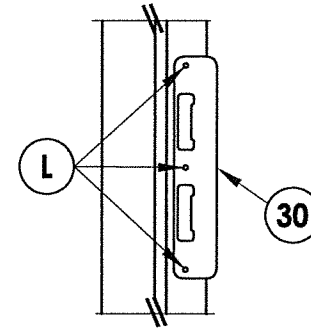
HINGE JAMB



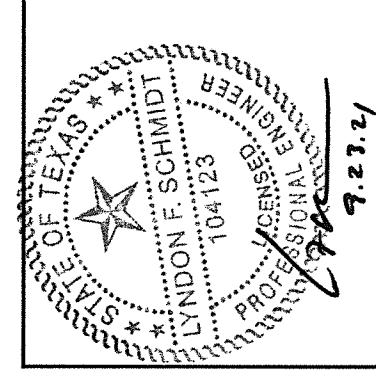
STRIKE JAMB
Multipoint Lock



TONGUE STRIKE DETAIL
Multipoint Lock



LATCH & DEADBOLT DETAIL
Multipoint Lock



Documents Prepared By: Lyndon F. Schmidt, P.E.
TEXAS P.E. #104123

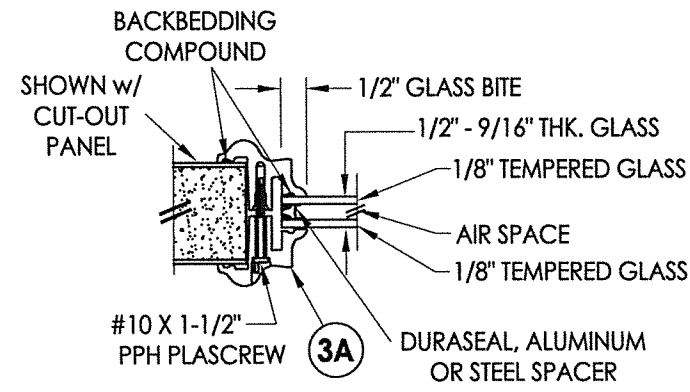
RW BUILDING CONSULTANTS, INC.
P.O. Box 230 Valrico FL 33595
Phone No.: 813.659.9197

CERTIFICATE OF REGISTRATION # F-11852

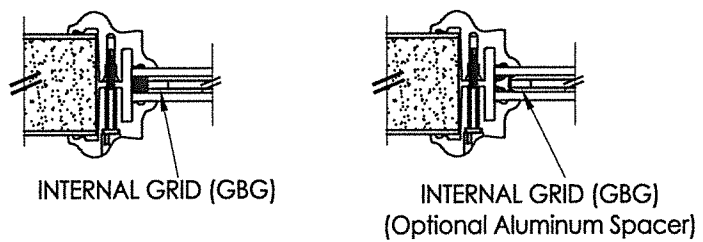
LATCH & DEADBOLT STRIKE DETAILS

MULTIPOINT LOCK STRIKE DETAILS

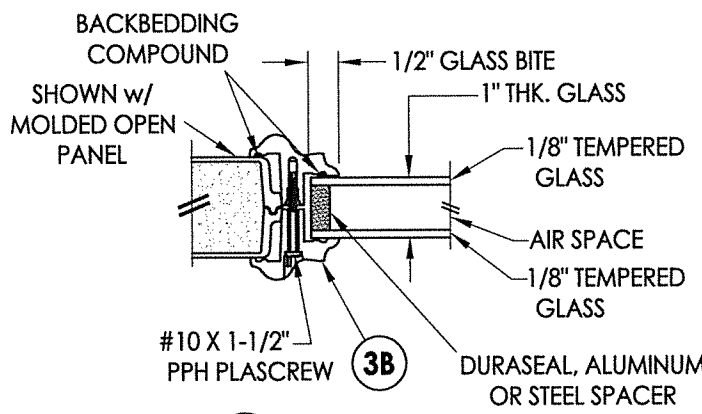
PRODUCT:		THERMA-TRU FIBERGLASS DOOR	
PART OR ASSEMBLY:		HARDWARE DETAILS	
NO.	DATE	UPDATE TO 2018 IBC/IRC CODE	BY
1	9/23/21	LFS	BY
REVISIONS			
DATE: 11/14/17			
SCALE: N.T.S.			
DWG. BY: JK			
CHK. BY: LFS			
DRAWING NO.: TX-4741			
SHEET 8 OF 11			



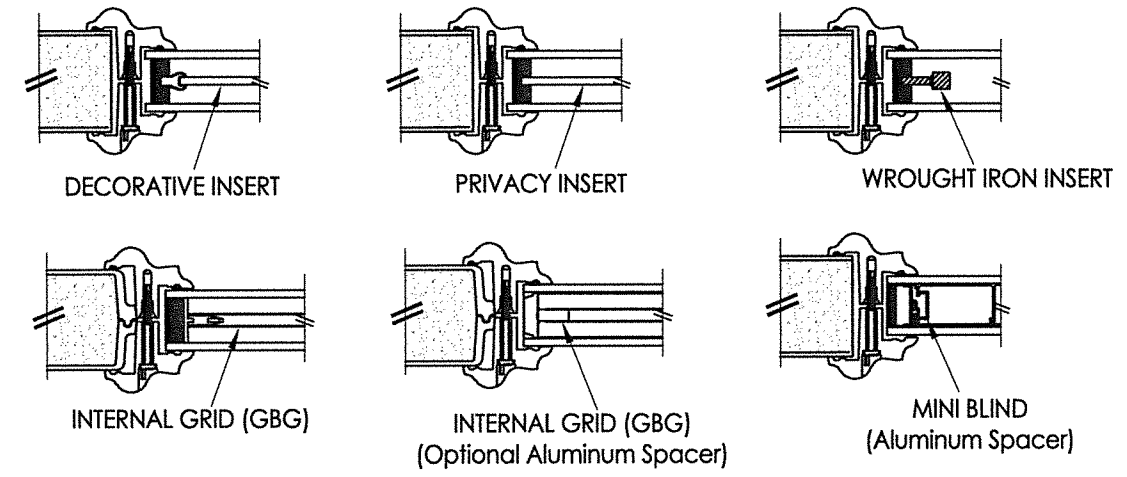
G1 GLAZING DETAIL
BTS Lite Frame
Sidelites



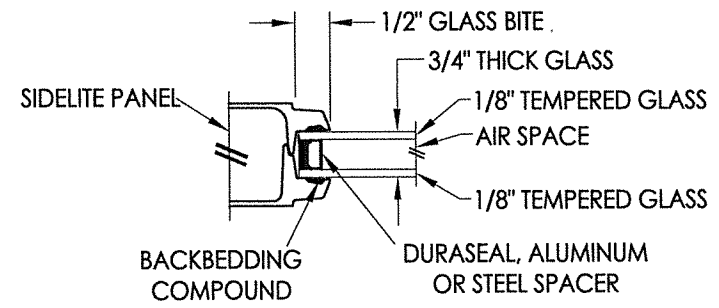
9/16" INSULATED GLASS INSERT OPTIONS



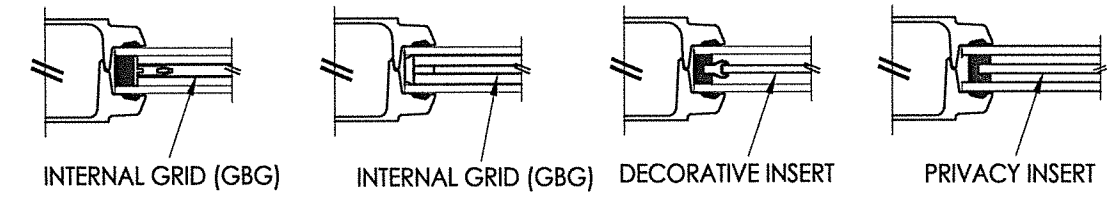
G2 GLAZING DETAIL
BTS Lite Frame
Sidelites



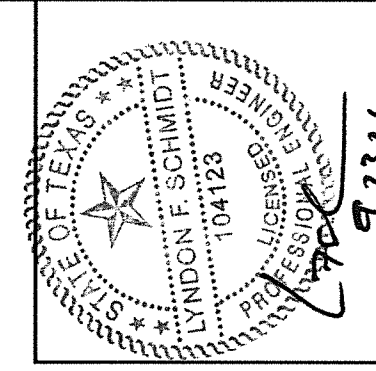
1" INSULATED GLASS INSERT OPTIONS



G3 GLAZING DETAIL
Flush Glazing
Sidelites



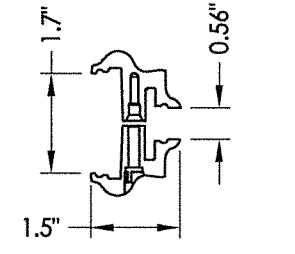
3/4" INSULATED GLASS INSERT OPTIONS



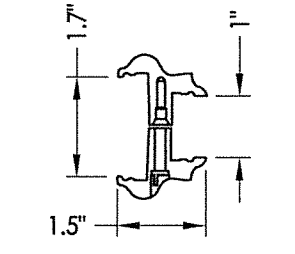
Documents Prepared By: Lyndon F. Schmidt, P.E.
TEXAS P.E. #104123

R.W. BUILDING CONSULTANTS, INC.
P.O. Box 230 Valrico FL 33595
Phone No.: 813.659.9197

CERTIFICATE OF REGISTRATION # F-11852

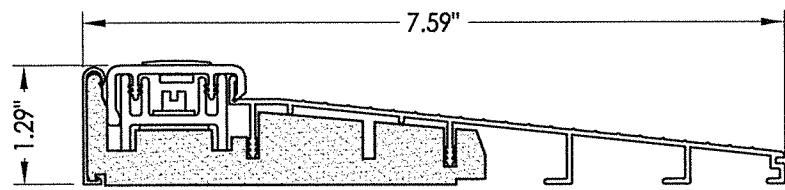


3A BTS LITE FRAME
1/2" & 9/16" Glazing

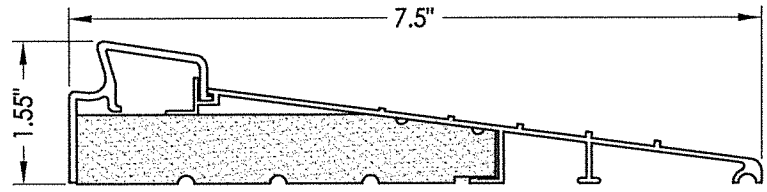


3B BTS LITE FRAME
1" Glazing

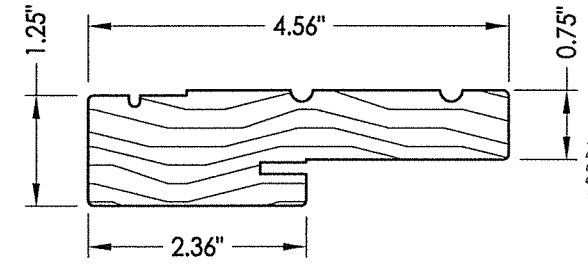
PRODUCT: THERMA-TRU FIBERGLASS DOOR		PART OR ASSEMBLY: GLAZING DETAILS	
NO.	DATE	UPDATE TO 2018 IBC/IRC CODE	BY
1	9/23/21		LFS
REVISIONS			
DATE: 11/14/17			
SCALE: N.T.S.			
DWG. BY: JK			
CHK. BY: LFS			
DRAWING NO.: TX-4741			
SHEET 9 OF 11			



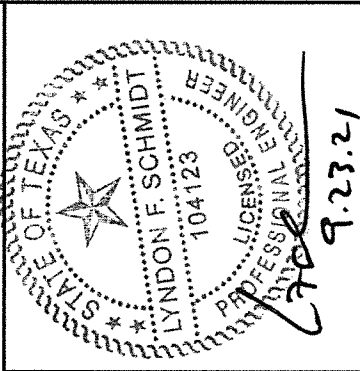
32 INSWING THRESHOLD
Inswing Basic Composite Adjustable Sill 7-1/2"



37 INSWING THRESHOLD
Inswing Basic Fixed 7-1/2" Sill



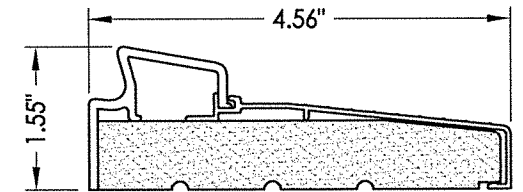
1 WOOD JAMB



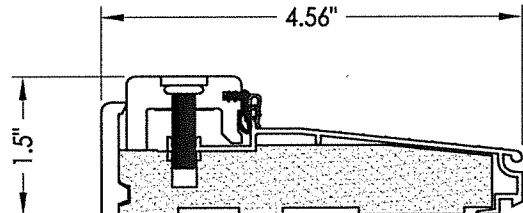
Documents Prepared By: Lyndon F. Schmidt, P.E.
TEXAS P.E. #104123

RW BUILDING CONSULTANTS, INC.
P.O. Box 230 Valrico FL 33595
Phone No.: 813.659.9197

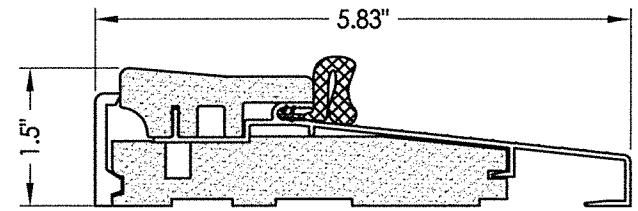
CERTIFICATE OF REGISTRATION # F-11852



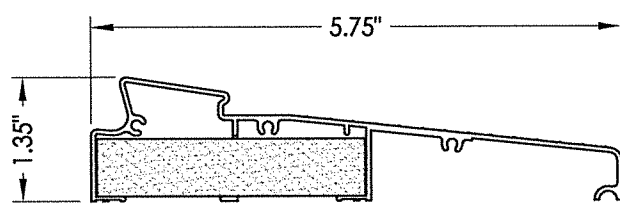
33 INSWING THRESHOLD
Inswing Basic Fixed Sill



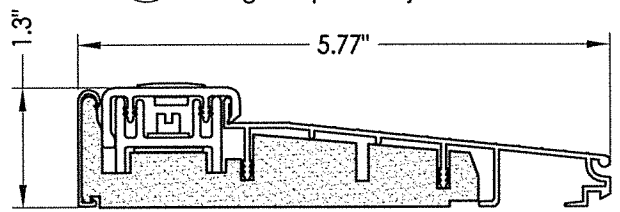
38 INSWING THRESHOLD
Inswing Composite Adjustable Sill



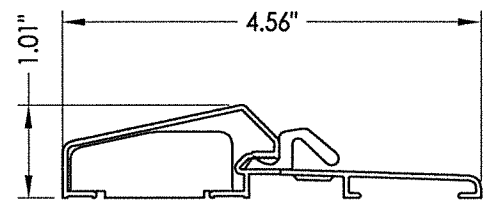
16 OUTSWING THRESHOLD
Composite Sill



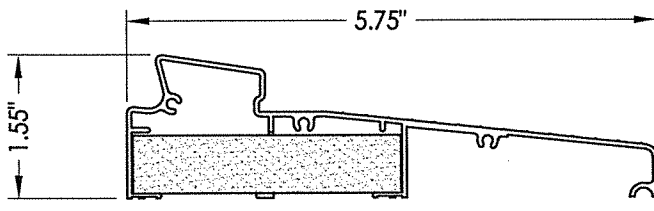
34 INSWING THRESHOLD
Inswing Moderate Climate Sill 1-3/8"



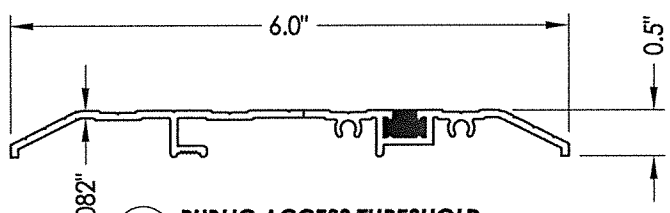
39 INSWING THRESHOLD
Inswing Basic Composite Adjustable Sill



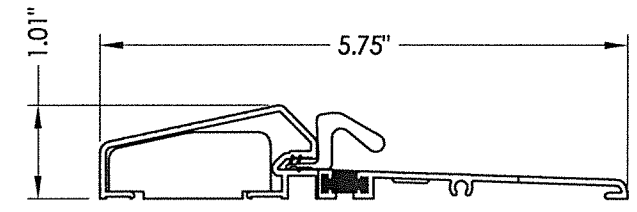
17 OUTSWING THRESHOLD
Composite / Aluminum Sill



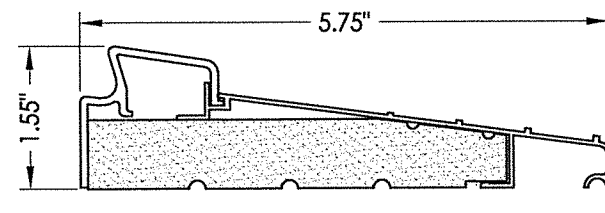
35 INSWING THRESHOLD
Inswing Moderate Climate Sill



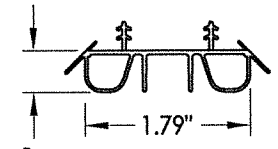
15 PUBLIC ACCESS THRESHOLD



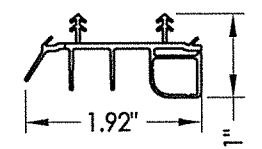
18 OUTSWING THRESHOLD
Composite / Aluminum Sill
(Thermal Break)



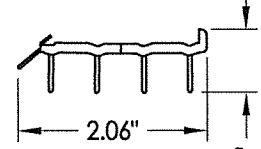
36 INSWING THRESHOLD
Inswing Basic Fixed 5-3/4" Sill



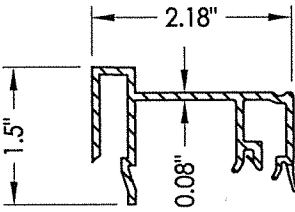
8 SWEEP



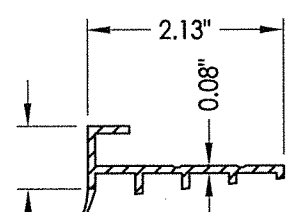
9 SWEEP



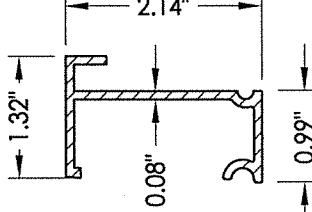
10 SWEEP



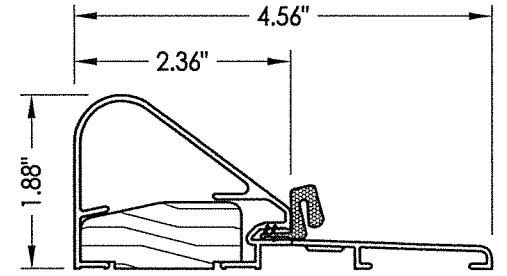
75 SIDELITE SPACER
Inswing



76 SIDELITE SPACER
Outswing



77 SIDELITE SPACER
Inswing
Moderate Climate Threshold



19 COASTAL OUTSWING THRESHOLD
Wood / Aluminum Sill

PRODUCT:	THERMA-TRU FIBERGLASS DOOR
PART OR ASSEMBLY:	COMPONENTS

NO.	DATE	BY
1	9/23/21	LFS

DATE:	11/14/17
SCALE:	N.T.S.
DWG. BY:	JK
CHK. BY:	LFS
DRAWING NO.:	TX-4741
SHEET	10 OF 11

