

# THERMA TRU® DOORS

Fiber-Classic® & Smooth-Star®

## "VENTED" SIDELITES w/ COMPOSITE EDGE GLAZED FIBERGLASS DOOR IN SWING "NON-IMPACT"

EVALUATED FOR USE IN THE STATE OF TEXAS

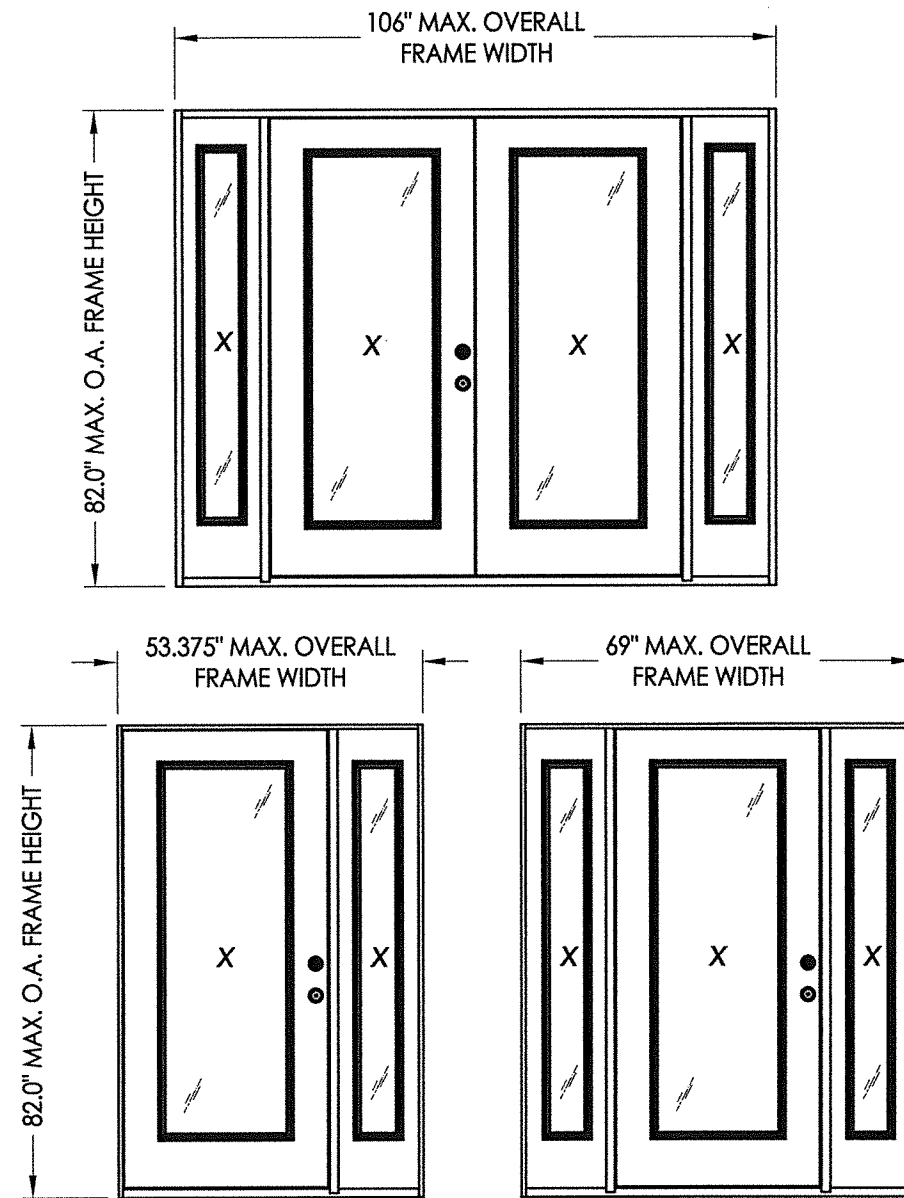
**TDI DR-948**

The Fiberglass Door system described herein complies with the 2018 International Residential Code (IRC), Sections R301 & R609 and the 2018 International Building Code (IBC), Sections 1404.13, 1609, 1709.5, 2403 and 2404 subject to the following conditions:

1. Anchors shall be as listed and spaced as shown in the details. Anchor embedment to base material shall be beyond wall dressing or stucco.
2. When used in areas requiring wind-borne debris protection this product is required to be protected with an impact resistant covering that complies with Section R301.2.1.2 of the IRC and Section 1609.1.2 of the IBC.
3. Allowable design pressure requirements must be equal to or less than the design pressure rating shown in the design pressure chart, sheet 1 of this drawing.
4. Conditions not covered by this drawing are subject to further engineering analysis.
5. Fiber-Classic and Smooth-Star Door and Sidelite panels require the use of "J" part numbers. These door and sidelite panels must be stained or painted within six months of installation.

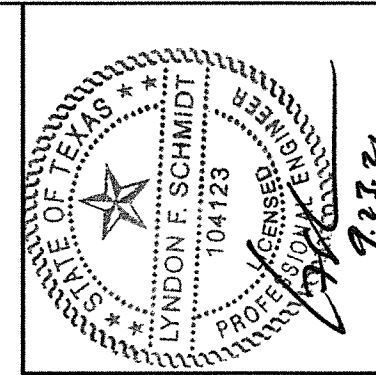
### TABLE OF CONTENTS

SHEET#	DESCRIPTION
1	Typical elevations, design pressures & general notes
2	Door panel details
3	Door panel details
4	Sidelite Panel Details
5	Elevations
6	Horizontal Cross Sections
7	Vertical Cross Sections
8	Frame Anchoring
9	Hardware Details
10	Hardware Strike Details
11	Glazing Details
12	Components
13	Bill of materials



### CONTINUOUS HEAD & SILL

CONFIGURATION	MAX. FRAME DIMENSION	DOOR GLAZING TYPE	DOOR GLAZING MAX. D.L.O.	DESIGN PRESSURE (PSF) Multipoint Door Lock		DESIGN PRESSURE (PSF) Latch & Deadbolt	
				POSITIVE	NEGATIVE	POSITIVE	NEGATIVE
XX	53.375" x 82.0"	FLUSH GLAZING	24.12" X 63.38"	+55.0	-55.0	+55.0	-65.0
		FLUSH GLAZING	26.0" X 63.38"	+50.0	-50.0	+55.0	-65.0
		LIP LITE GLAZING	21.12" X 63.12"	+40.0	-40.0	+45.0	-45.0
XXX	69.0" x 82.0"	FLUSH GLAZING	24.12" X 63.38"	+55.0	-55.0	+55.0	-65.0
		FLUSH GLAZING	26.0" X 63.38"	+50.0	-50.0	+55.0	-65.0
		LIP LITE GLAZING	21.12" X 63.12"	+40.0	-40.0	+45.0	-45.0
XXXX	106.0" x 82.0"	FLUSH GLAZING	24.12" X 63.38"	+55.0	-55.0	+30.0	-30.0
		FLUSH GLAZING	26.0" X 63.38"	+50.0	-50.0	+30.0	-30.0
		LIP LITE GLAZING	21.12" X 63.12"	+30.0	-30.0	+40.0	-40.0



Documents Prepared By: Lyndon F. Schmidt, P.E.  
TEXAS P.E. #104123

RW BUILDING CONSULTANTS, INC.  
P.O. Box 230 Valrico FL 33595  
Phone No.: 813.659.9197

TEXAS BOARD OF PROFESSIONAL ENGINEERS  
CERTIFICATE OF REGISTRATION # F-11852

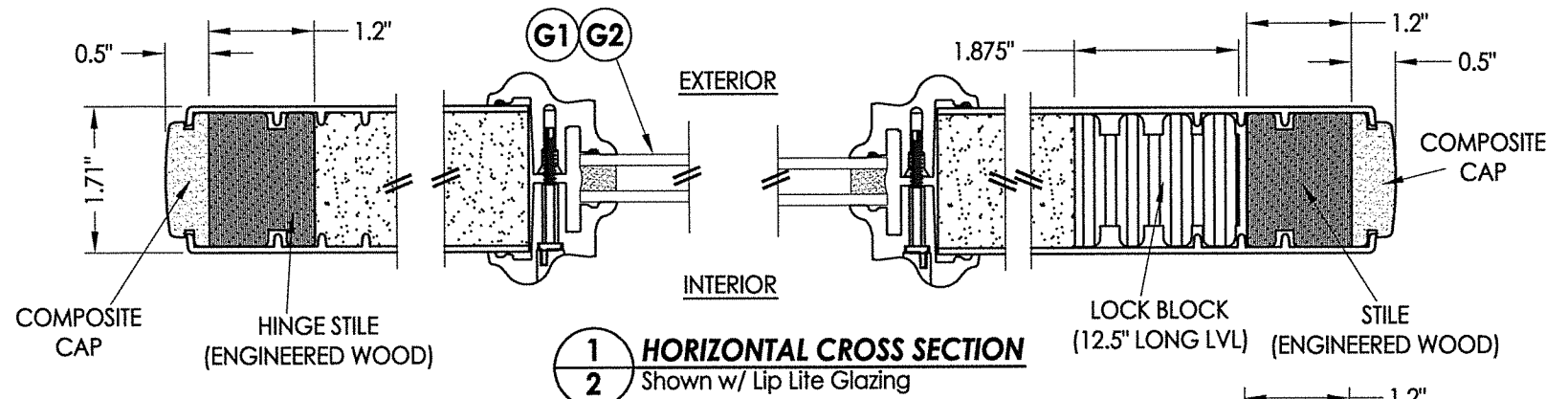
PRODUCT: THERMA-TRU

PART OR ASSEMBLY:  
TYPICAL ELEVATION, DESIGN PRESSURES & GENERAL NOTES

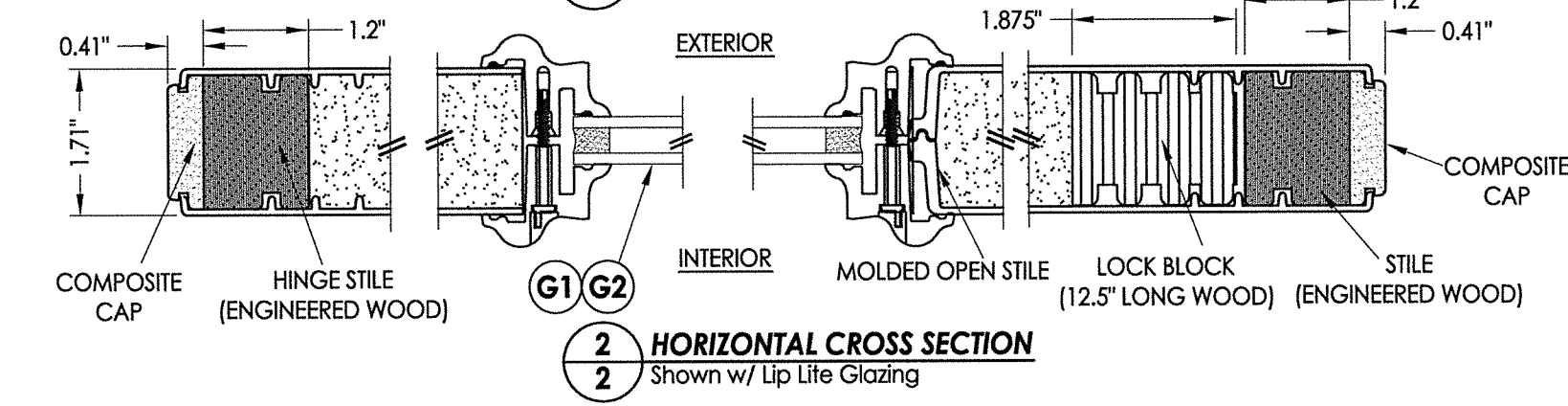
NO.	DATE	DESCRIPTION	BY
1	9/23/21	UPDATE TO 2018 IBC/IRC CODE	LFS

DATE: 11/29/17  
SCALE: N.T.S.  
DWG. BY: JK  
CHK. BY: LFS  
DRAWING NO.: TX-4753  
SHEET 1 OF 13

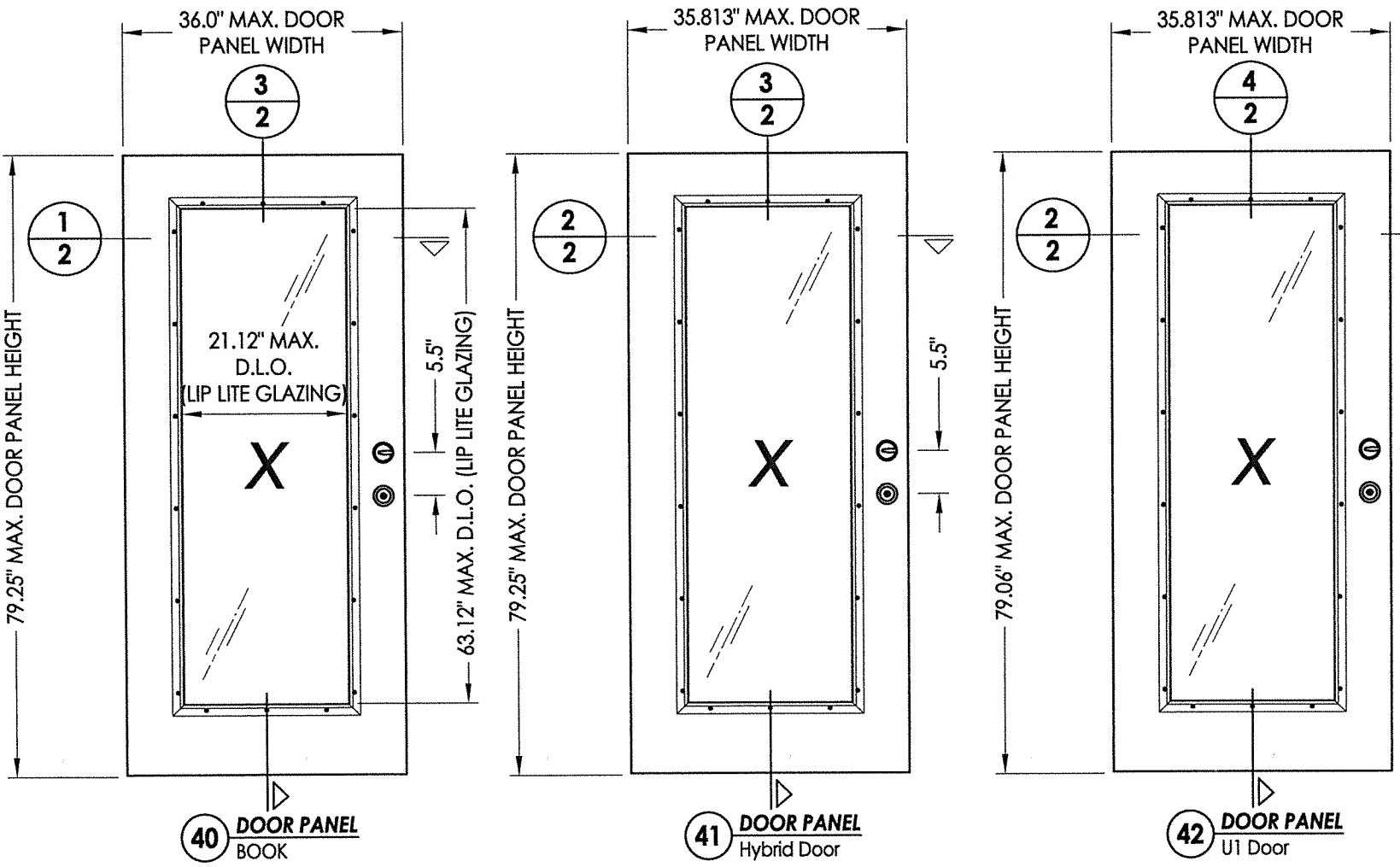
Z:\Clients\Therma Tru PERMANENT\B - Texas Dept of Ins\TDI - DR 948 - 6'8 & 8'0 Glazed FG NonImp IS Vented Sidelites (TX 4753-4754)\C - Drawings\TX-4753.dwg



**1 HORIZONTAL CROSS SECTION**  
2 Shown w/ Lip Lite Glazing



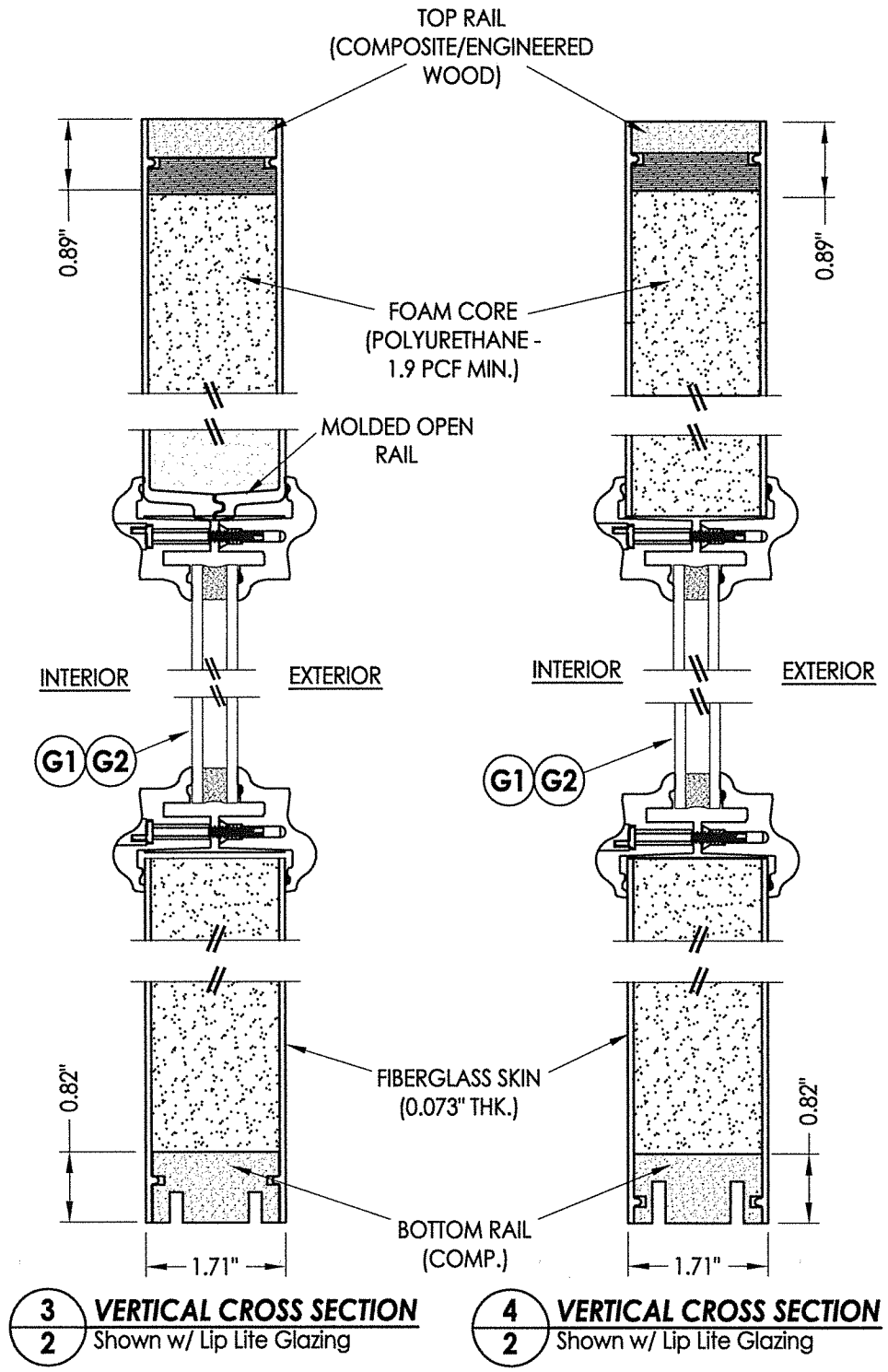
**2 HORIZONTAL CROSS SECTION**  
2 Shown w/ Lip Lite Glazing



**40 DOOR PANEL**  
BOOK

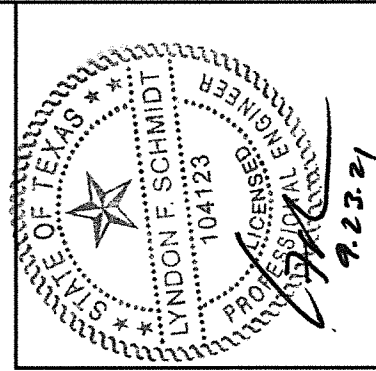
**41 DOOR PANEL**  
Hybrid Door

**42 DOOR PANEL**  
U1 Door



**3 VERTICAL CROSS SECTION**  
2 Shown w/ Lip Lite Glazing

**4 VERTICAL CROSS SECTION**  
2 Shown w/ Lip Lite Glazing



Documents Prepared By: Lyndon F. Schmidt, P.E.  
TEXAS P.E. #104123

**RW** BUILDING CONSULTANTS, INC.  
P.O. Box 230 Vafrico FL 33595  
Phone No.: 813.659.9197

TEXAS BOARD OF PROFESSIONAL ENGINEERS  
CERTIFICATE OF REGISTRATION # F-11852

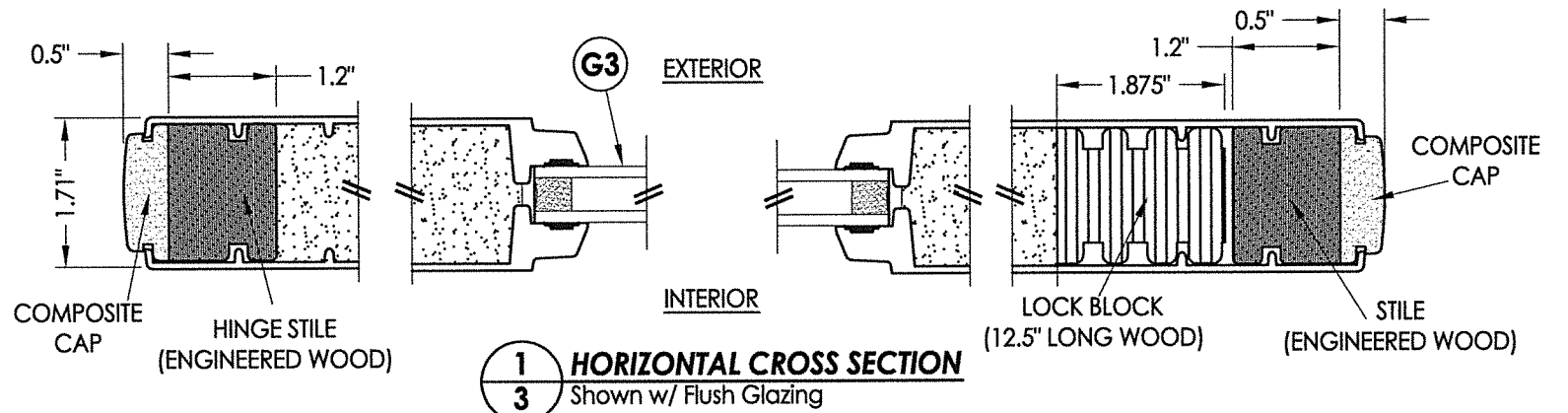
PRODUCT: THERMA-TRU  
FIBERGLASS DOOR  
PART OR ASSEMBLY:  
DOOR PANEL DETAILS

NO.	DATE	BY	REVISIONS
1	9/23/21	LFS	UPDATE TO 2018 IBC/IRC CODE

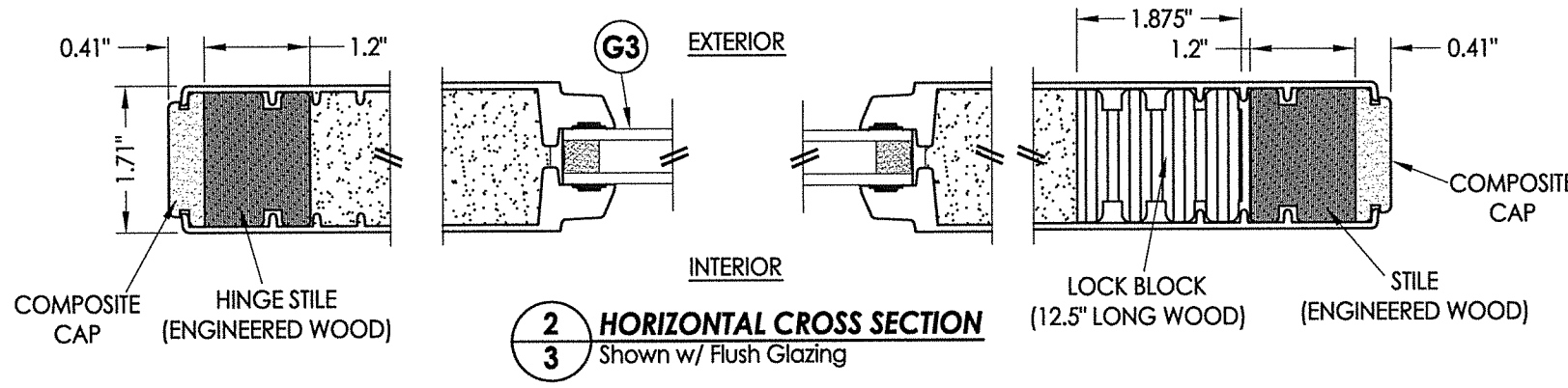
DATE: 11/29/17  
SCALE: N.T.S.  
DWG. BY: JK  
CHK. BY: LFS  
DRAWING NO.: TX-4753  
SHEET 2 OF 13

© 2017 R.W. BUILDING CONSULTANTS INC.

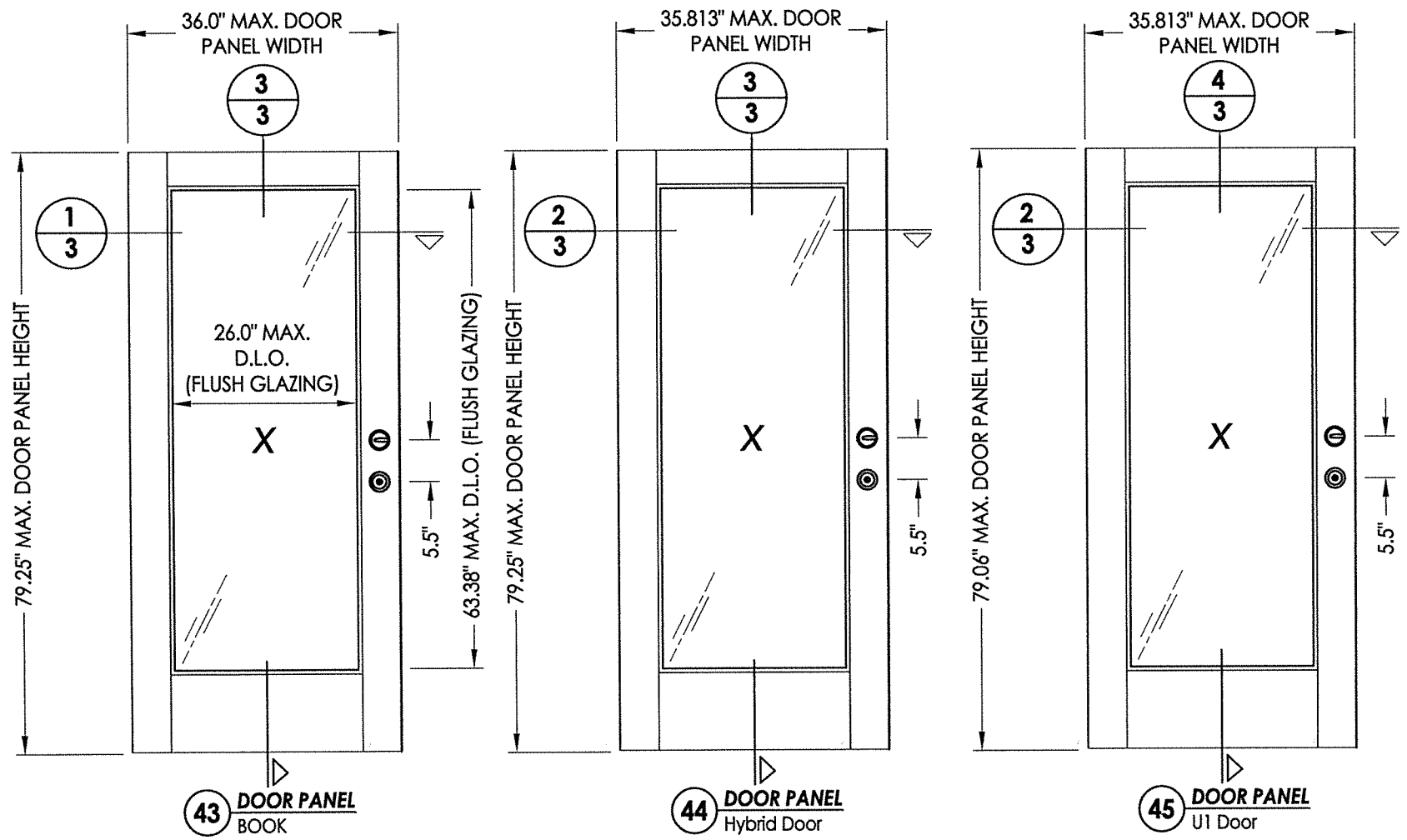
Z:\Clients\Therma Tru PERMANENT\B - Texas Dept of Ins\TDI - DR 948 - 6'8 & 8'0 Glazed FG NonImp IS Vented Sidelites (TX 4753-4754)(C - Drawings\TX-4753.dwg



**1**  
**3** HORIZONTAL CROSS SECTION  
Shown w/ Flush Glazing



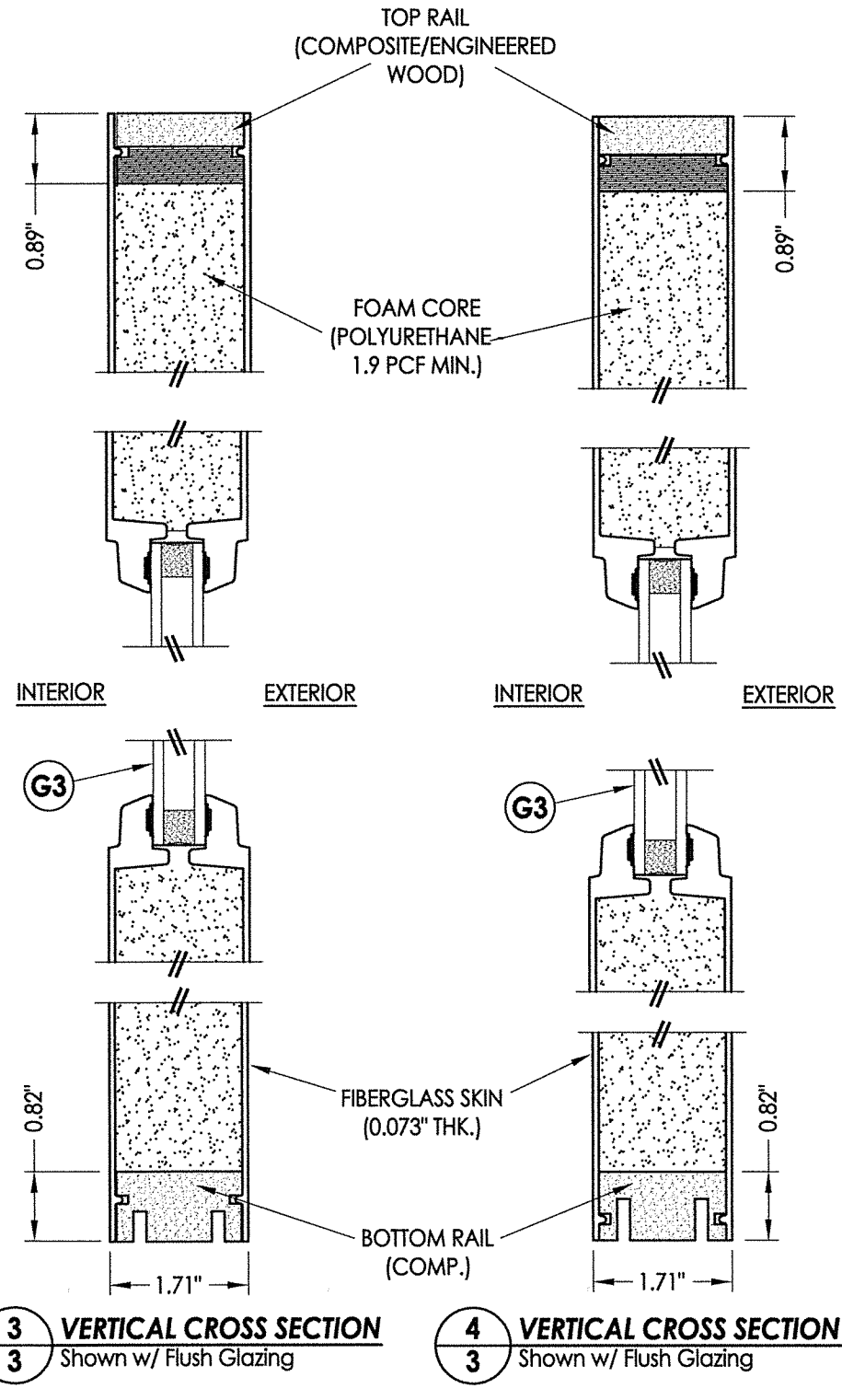
**2**  
**3** HORIZONTAL CROSS SECTION  
Shown w/ Flush Glazing



**43** DOOR PANEL  
BOOK

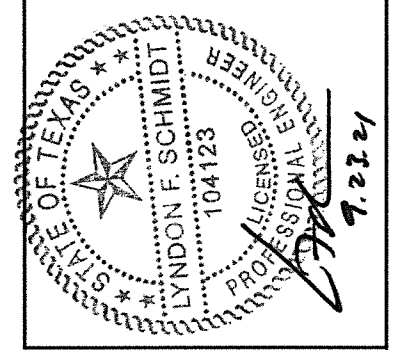
**44** DOOR PANEL  
Hybrid Door

**45** DOOR PANEL  
UI Door



**3**  
**3** VERTICAL CROSS SECTION  
Shown w/ Flush Glazing

**4**  
**3** VERTICAL CROSS SECTION  
Shown w/ Flush Glazing



Documents Prepared By: Lyndon F. Schmidt, P.E.  
TEXAS P.E. #104123

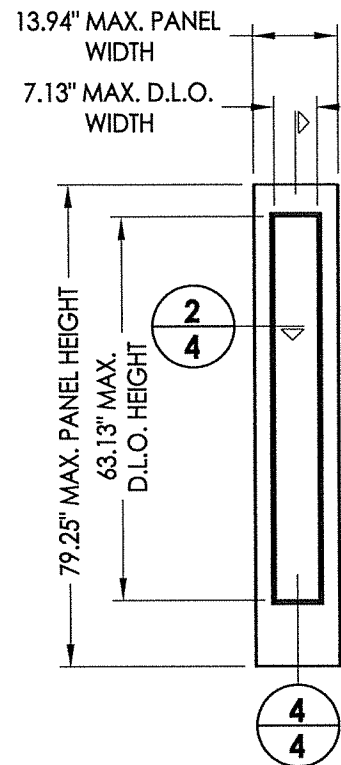
**RW** BUILDING CONSULTANTS, INC.  
P.O. Box 230 Valrico FL 33595  
Phone No.: 813.659.9197

TEXAS BOARD OF PROFESSIONAL ENGINEERS  
CERTIFICATE OF REGISTRATION # F-11852

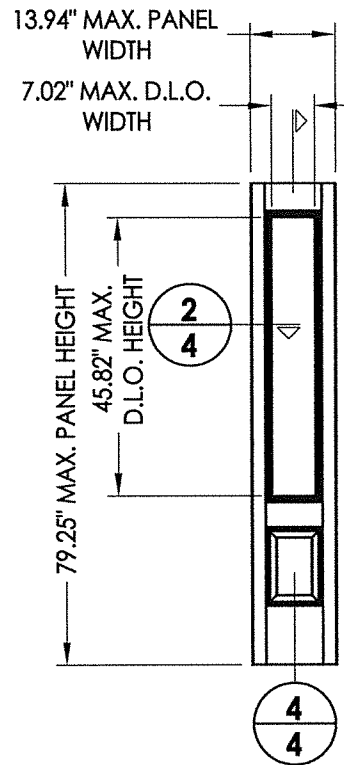
PRODUCT:	THERMA-TRU FIBERGLASS DOOR	
PART OR ASSEMBLY:	DOOR PANEL DETAILS	
DATE:	11/29/17	
SCALE:	N.T.S.	
DWG. BY:	JK	
CHK. BY:	LFS	
DRAWING NO.:	TX-4753	
SHEET	3	OF 13
NO.	DATE	REVISIONS
1	9/23/21	UPDATE TO 2018 IBC/IRC CODE
		LFS
		BY

© 2017 R.W. BUILDING CONSULTANTS INC.

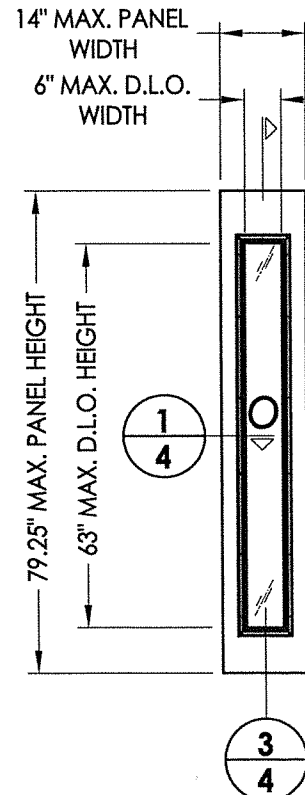
Z:\Clients\Therma Tru PERMANENT\B - Texas Dept of Ins\TDI - DR 948 - 6'8 & 8'0 Glazed FG NonImp IS Vented Sidelites (TX 4753-4754)\C - Drawings\TX-4753.dwg



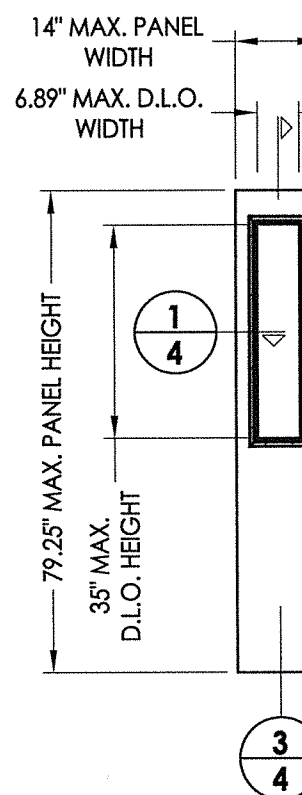
**60 SIDELITE PANEL**  
Full Lite  
Flush Glazed



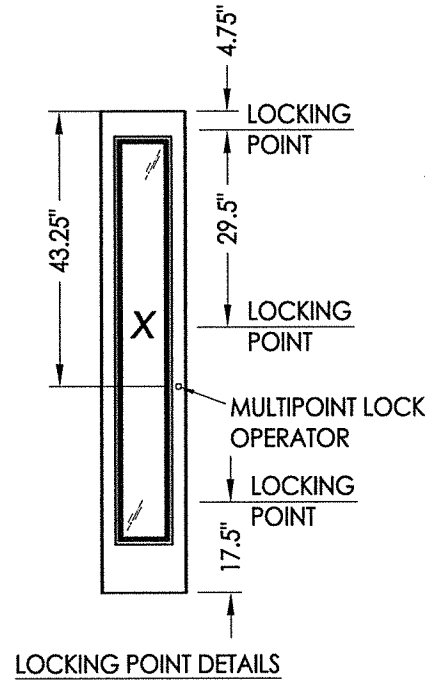
**60 SIDELITE PANEL**  
3/4 Lite  
Flush Glazed



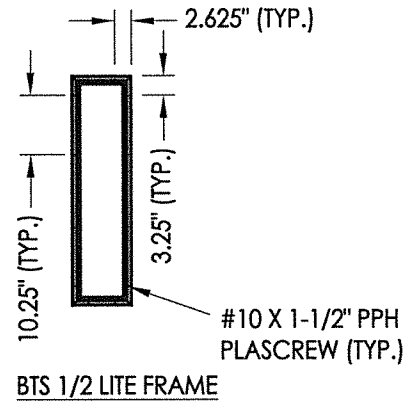
**50 SIDELITE PANEL**  
Full Lite  
Lip Lite



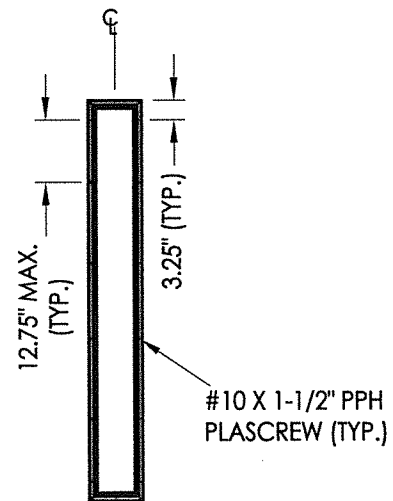
**50 SIDELITE PANEL**  
Half Lite  
Lip Lite



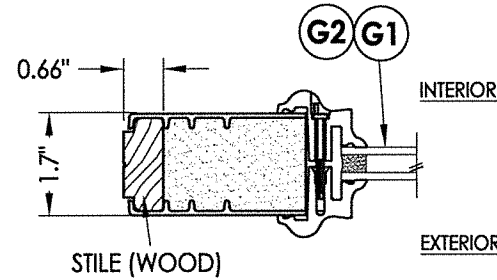
LOCKING POINT DETAILS



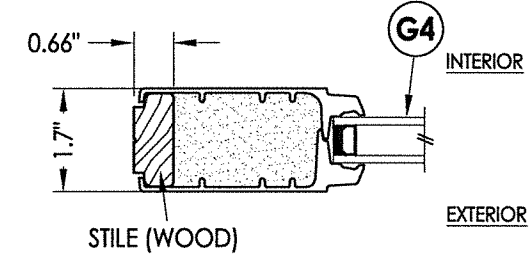
BTS 1/2 LITE FRAME



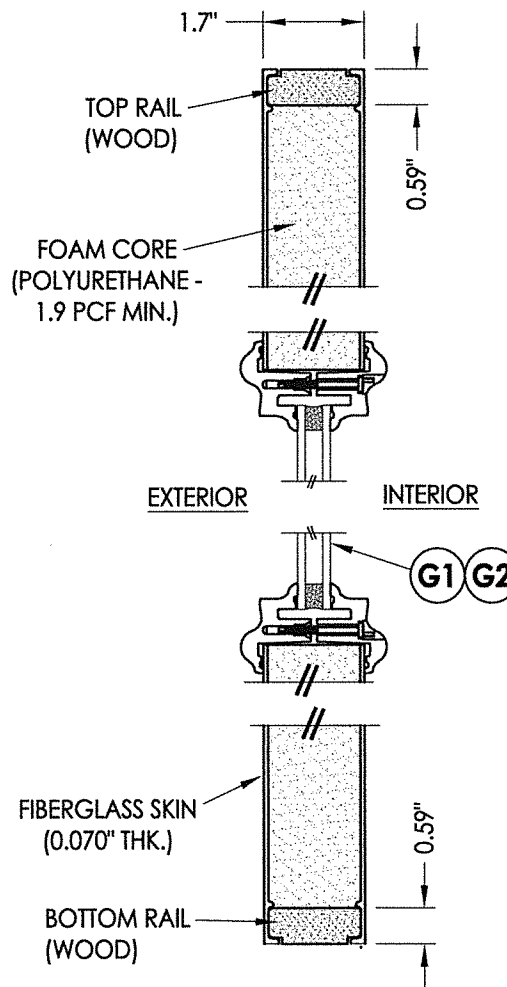
BTS FULL LITE FRAME



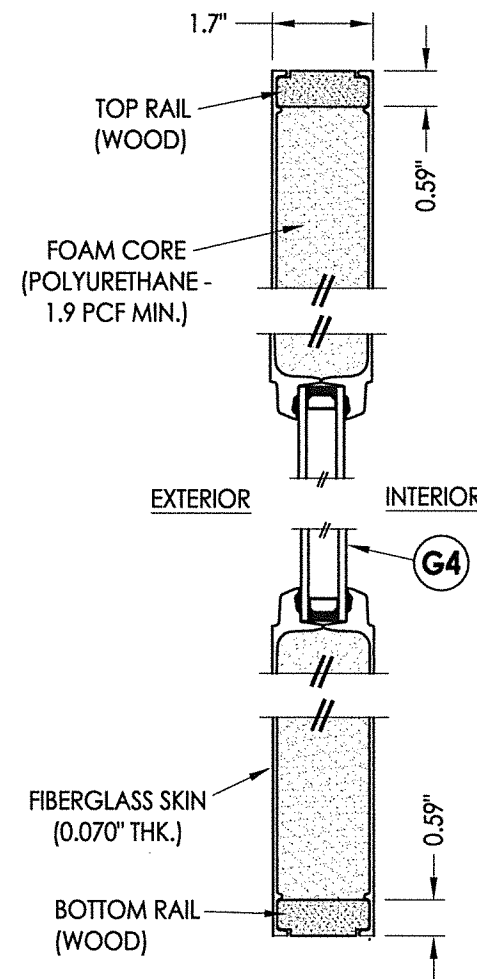
**1 HORIZONTAL CROSS SECTION**  
Lip Lite Glazing



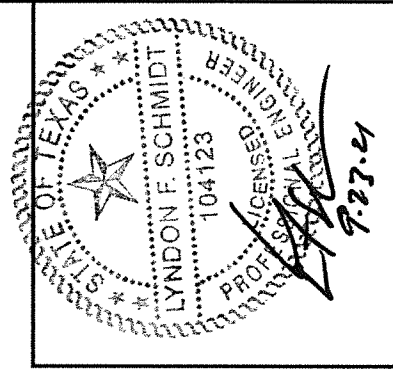
**2 HORIZONTAL CROSS SECTION**  
Flush Glazing



**3 VERTICAL CROSS SECTION**  
Lip Lite Glazing Shown



**4 VERTICAL CROSS SECTION**  
Flush Glazing Shown



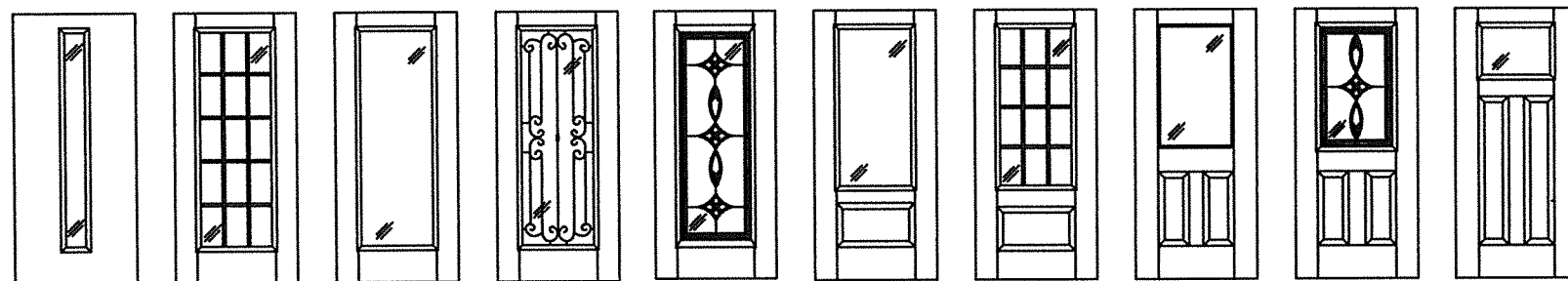
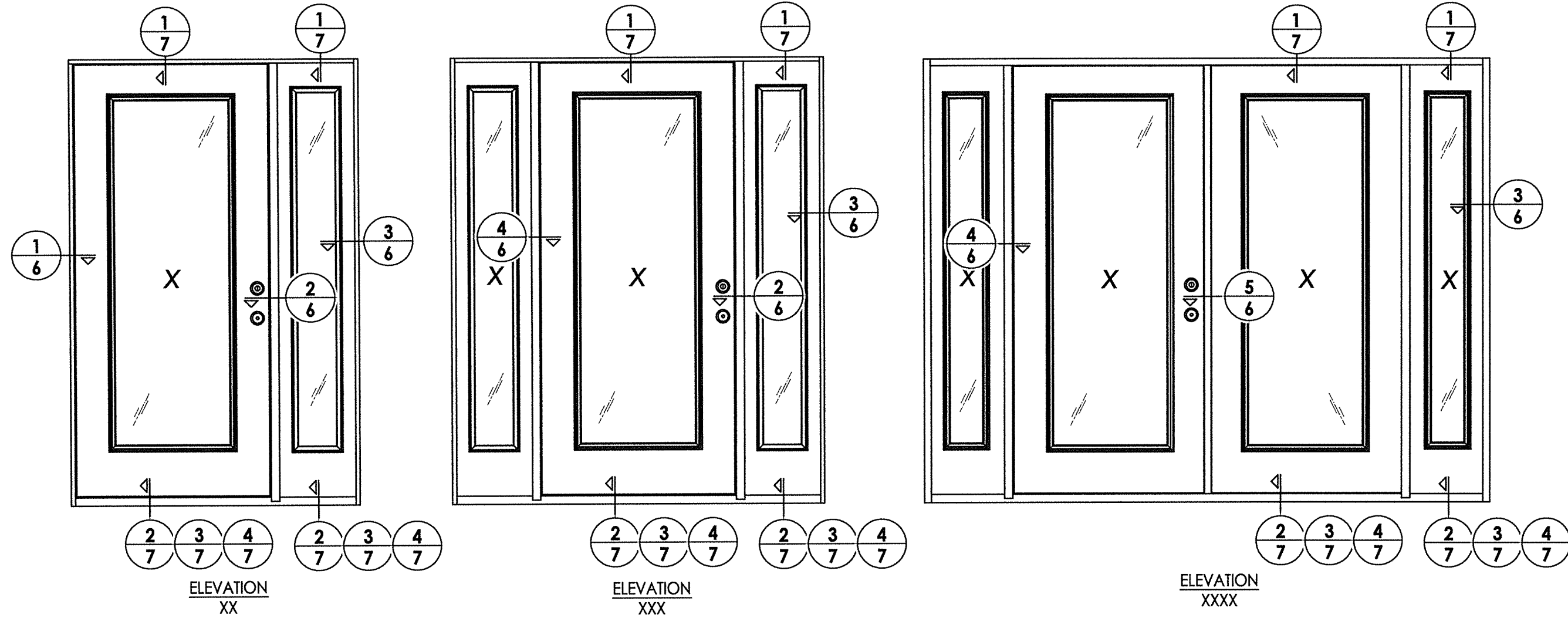
Documents Prepared By: Lyndon F. Schmidt, P.E.  
TEXAS P.E. #104123

**R.W.** BUILDING CONSULTANTS, INC.  
P.O. Box 230 Valrico FL 33595  
Phone No.: 813.659.9197

TEXAS BOARD OF PROFESSIONAL ENGINEERS  
CERTIFICATE OF REGISTRATION # F-11852

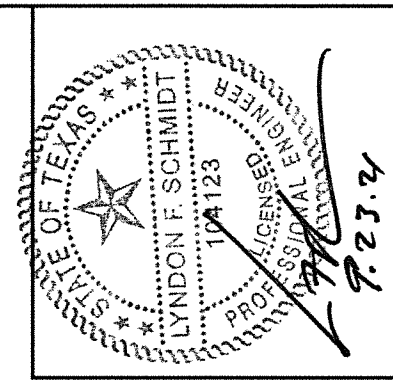
PRODUCT:		THERMA TRU FIBERGLASS DOOR	
PART OR ASSEMBLY:		SIDELITE PANEL DETAILS	
NO.	DATE	BY	REVISIONS
1	9/23/21	LFS	UPDATE TO 2018 IBC/IRC CODE
DATE: 11/29/17			
SCALE: N.T.S.			
DWG. BY: JK			
CHK. BY: LFS			
DRAWING NO.: TX-4753			
SHEET 4 OF 13			

© 2016 R.W. BUILDING CONSULTANTS INC.



**Fiber-Classic/Smooth-Star Door Panel Options**  
 Panel options shown are for illustration and are representative only  
 (similar glazed panel configurations are allowed)

HARDWARE TABLE	
MANUFACTURER	MODEL
KWIKSET	KNOB: SIGNATURE SERIES DEADBOLT: SIGNATURE SERIES (780)
HOPPE	MULTIPOINT: HLS 9000 SERIES (Door) OSL SERIES (Sidelite)



Documents Prepared By: Lyndon F. Schmidt, P.E.  
 TEXAS P.E. #104123

**RW** BUILDING CONSULTANTS, INC.  
 P.O. Box 230 Valrico FL 33595  
 Phone No.: 813.659.9197

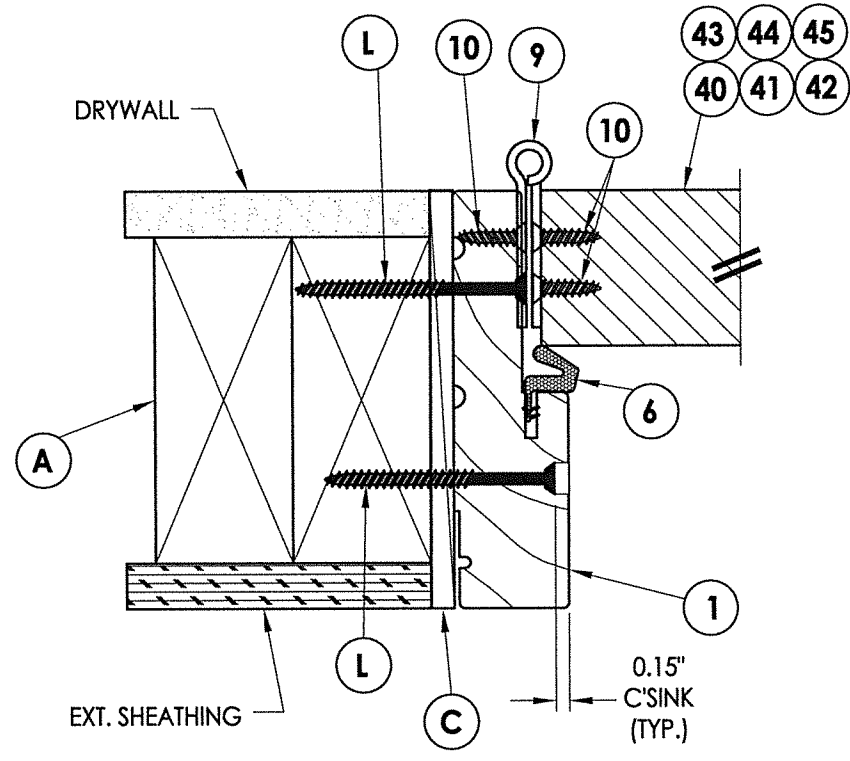
TEXAS BOARD OF PROFESSIONAL ENGINEERS  
 CERTIFICATE OF REGISTRATION # F-11852

PRODUCT: THERMA-TRU  
 PART OR ASSEMBLY: ELEVATIONS

NO.	DATE	REVISIONS
1	9/23/21	UPDATE TO 2018 IBC/IRC CODE LFS BY

DATE: 11/29/17  
 SCALE: N.T.S.  
 DWG. BY: JK  
 CHK. BY: LFS  
 DRAWING NO.: TX-4753  
 SHEET 5 OF 13

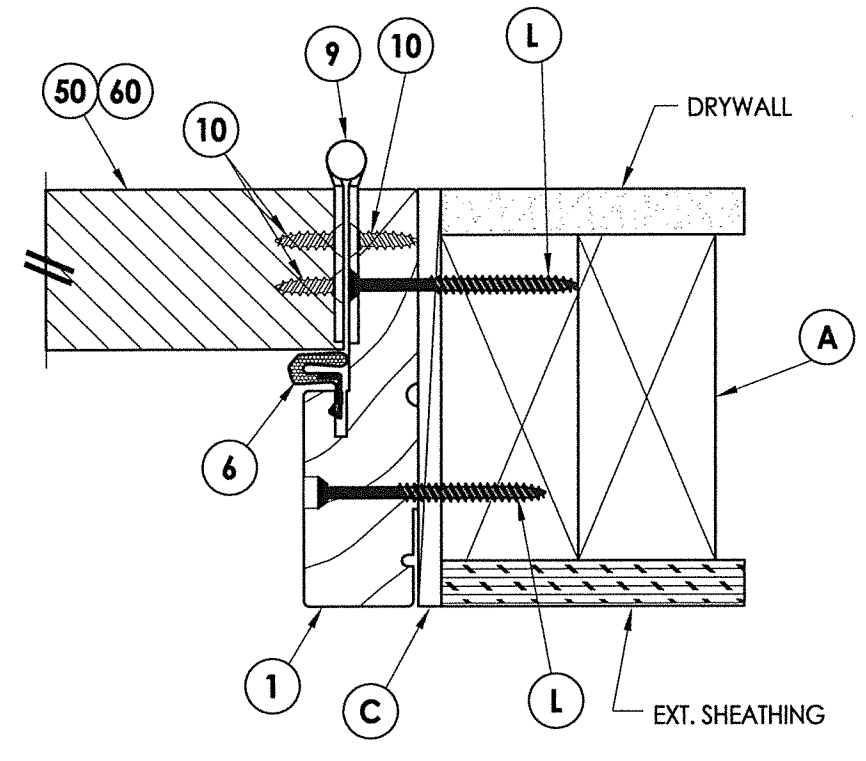
Z:\Clients\Therma Tru PERMANENT\B - Texas Dept of Ins\TDI - DR 948 - 6'8 & 8'0 Glazed FG NonImp IS Vented Sidelites (TX 4753-4754)\C - Drawings\TX-4753.dwg



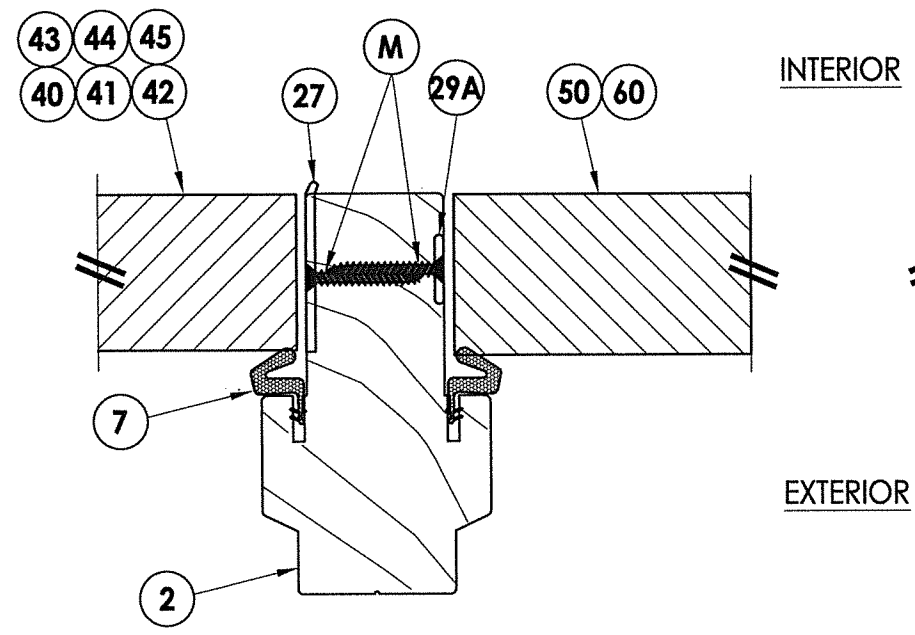
**1**  
**6** HORIZONTAL CROSS SECTION

INTERIOR

EXTERIOR



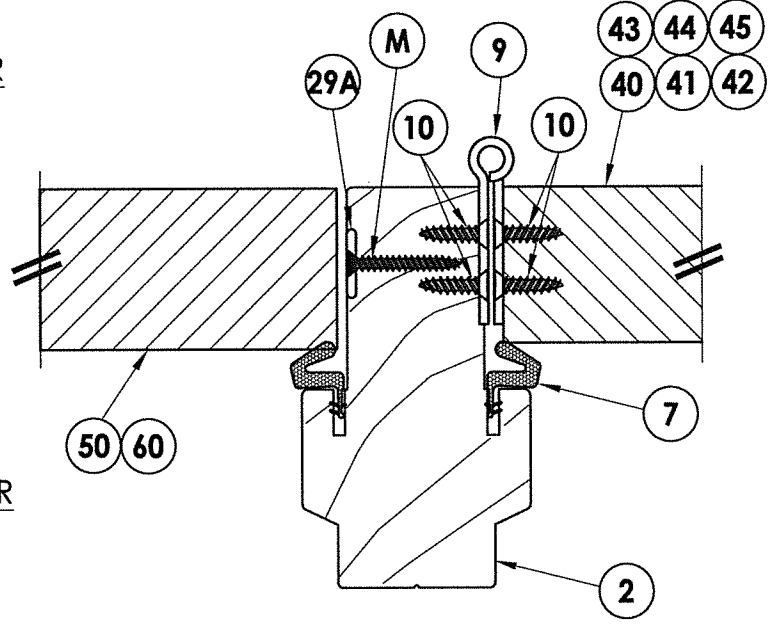
**3**  
**6** HORIZONTAL CROSS SECTION



**2**  
**6** HORIZONTAL CROSS SECTION

INTERIOR

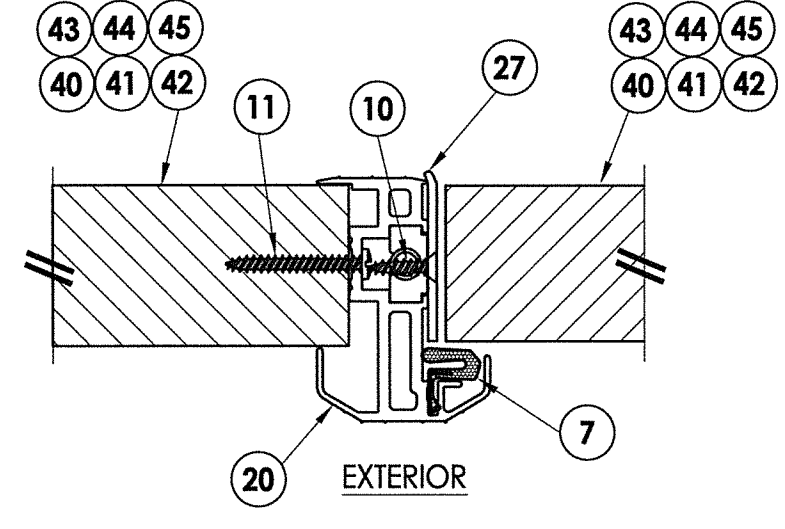
EXTERIOR



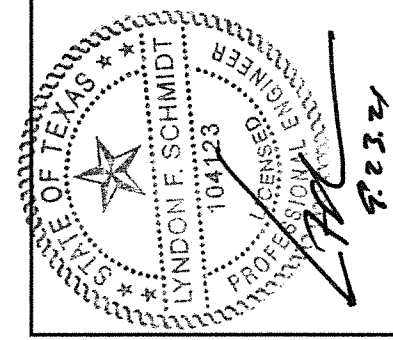
**4**  
**6** HORIZONTAL CROSS SECTION

INTERIOR

EXTERIOR



**5**  
**6** HORIZONTAL CROSS SECTION



Documents Prepared By: Lyndon F. Schmidt, P.E.  
TEXAS P.E. #104123

**RW** BUILDING CONSULTANTS, INC.  
P.O. Box 230 Valrico FL 33595  
Phone No.: 813.659.9197  
TEXAS BOARD OF PROFESSIONAL ENGINEERS  
CERTIFICATE OF REGISTRATION # F-11852

PRODUCT: THERMA-TRU

PART OR ASSEMBLY:  
HORIZONTAL CROSS SECTIONS

NO.	DATE	DESCRIPTION	BY
1	9/23/21	UPDATE TO 2018 IBC/IRC CODE	LFS

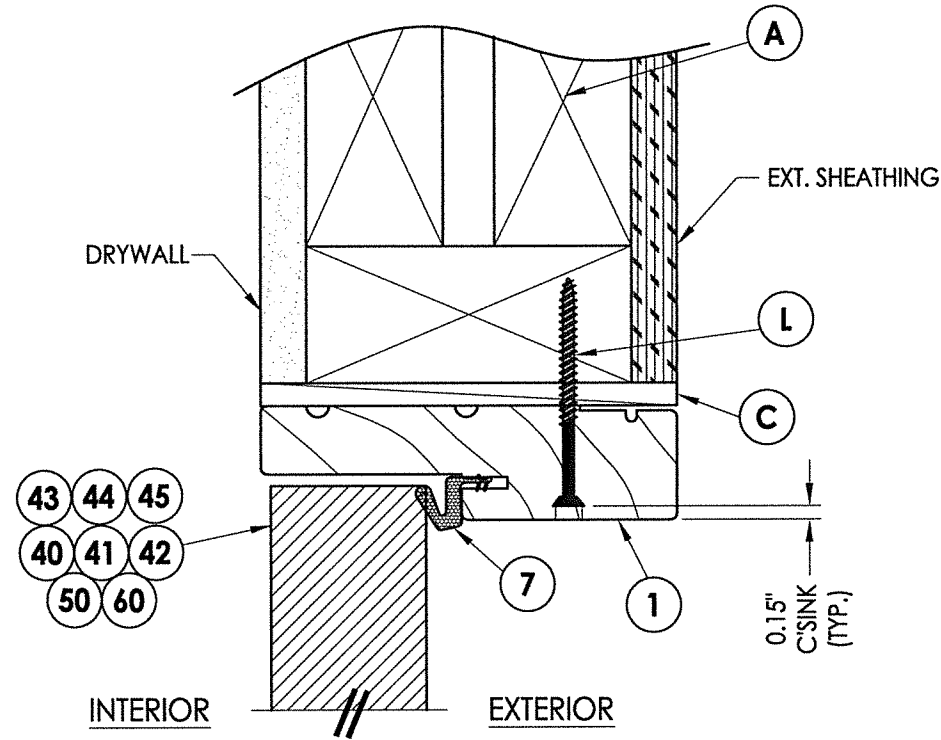
DATE: 11/29/17  
SCALE: N.T.S.  
DWG. BY: JK  
CHK. BY: LFS  
DRAWING NO.: TX-4753  
SHEET 6 OF 13

© 2017 R.W. BUILDING CONSULTANTS INC.

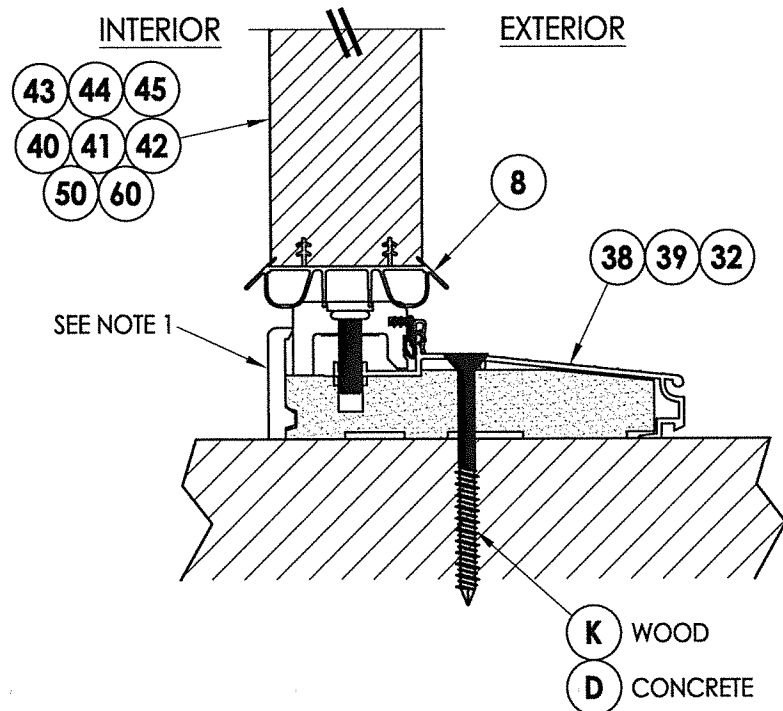
Z:\Clients\Therma Tru PERMANENT\B - Texas Dept of Ins\TDI - DR 948 - 6'8 & 8'0 Glazed FG NonImp IS Vented Sidelites (TX 4753-4754)\C - Drawings\TX-4753.dwg

Notes:

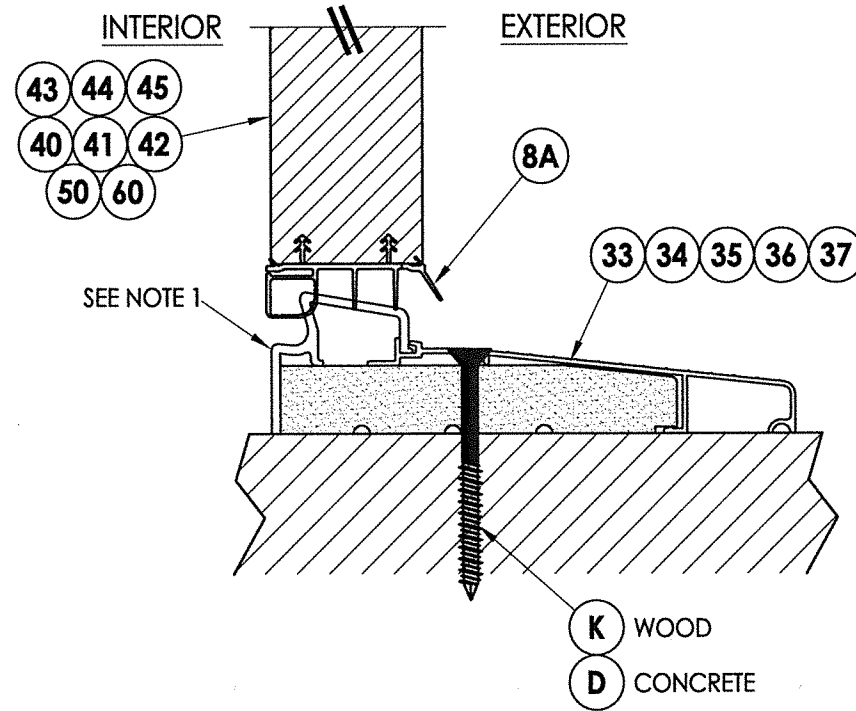
- 1. Sill Item #'s 32, 34, 35, 36, 37, 38 & 39 are attached to jambs w/ (3) #8 X 2-1/2" pph screws at each end.
- Sill Item # 33 is attached to jambs w/ (2) #8 X 2-1/2" pph screws at each end.
- Sill Item #15 is attached to jambs utilizing (2) #10 X 2" pph SMS at each end.



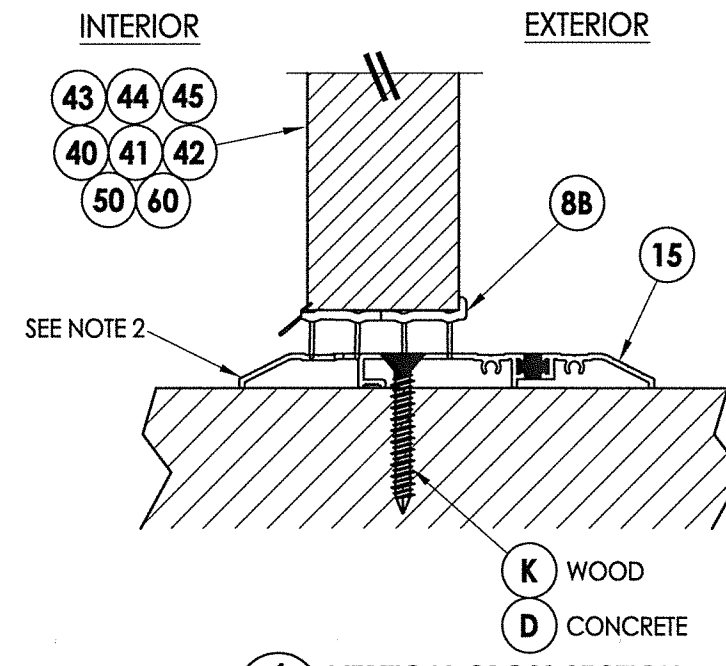
1  
7 VERTICAL CROSS SECTION



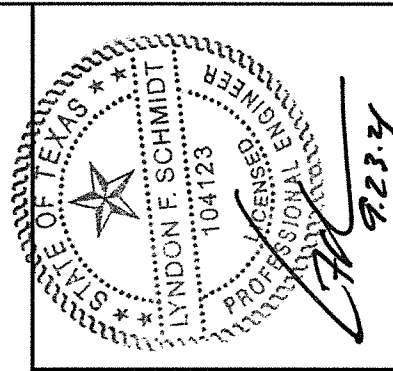
2  
7 VERTICAL CROSS SECTION  
Inswing Sill



3  
7 VERTICAL CROSS SECTION  
Inswing Sill



4  
7 VERTICAL CROSS SECTION  
Public Access Sill



Documents Prepared By: Lyndon F. Schmidt, P.E.  
TEXAS P.E. #104123

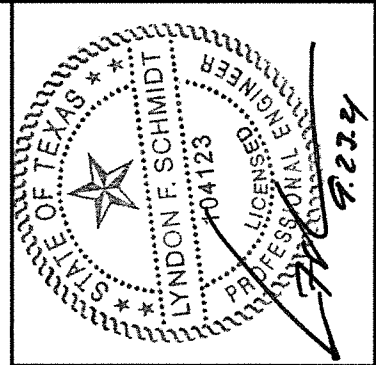
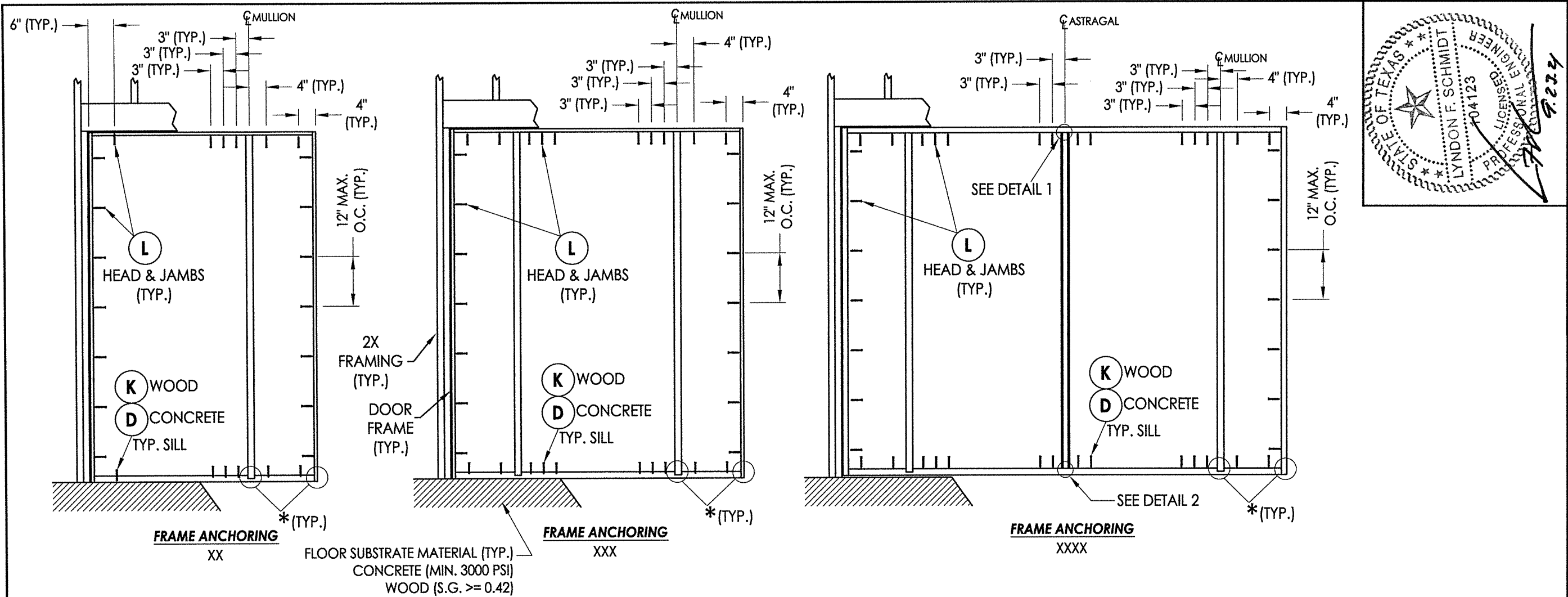
RW BUILDING CONSULTANTS, INC.  
P.O. Box 230 Valrico FL 33595  
Phone No.: 813.659.9197  
TEXAS BOARD OF PROFESSIONAL ENGINEERS  
CERTIFICATE OF REGISTRATION # F-11852

PRODUCT:	THERMA-TRU
PART OR ASSEMBLY:	VERTICAL CROSS SECTIONS

NO.	DATE	DESCRIPTION	BY
1	9/23/21	UPDATE TO 2018 IBC/IRC CODE	LFS

DATE:	11/29/17
SCALE:	N.T.S.
DWG. BY:	JK
CHK. BY:	LFS
DRAWING NO.:	TX-4753
SHEET	7 OF 13

© 2017 R.W. BUILDING CONSULTANTS INC.



Documents Prepared By: Lyndon F. Schmidt, P.E.  
 TEXAS P.E. #104123

**RW** BUILDING CONSULTANTS, INC.  
 P.O. Box 230 Valrico FL 33595  
 Phone No.: 813.659.9197

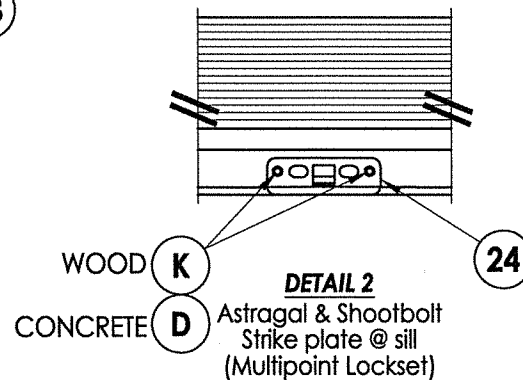
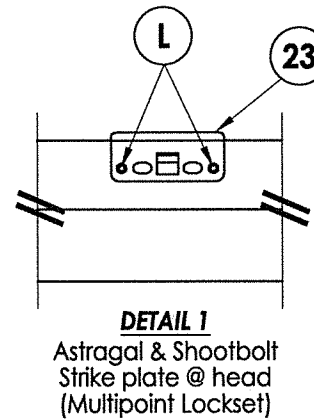
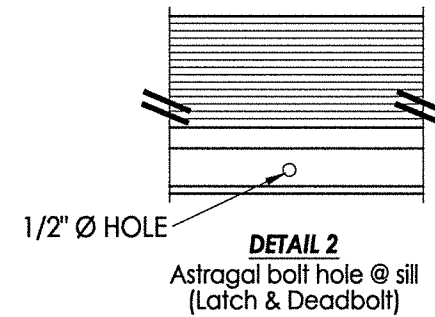
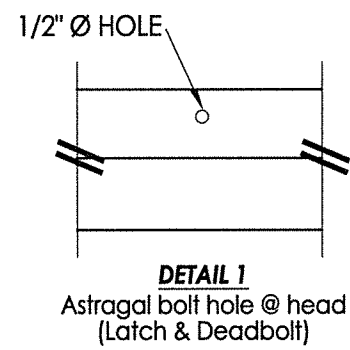
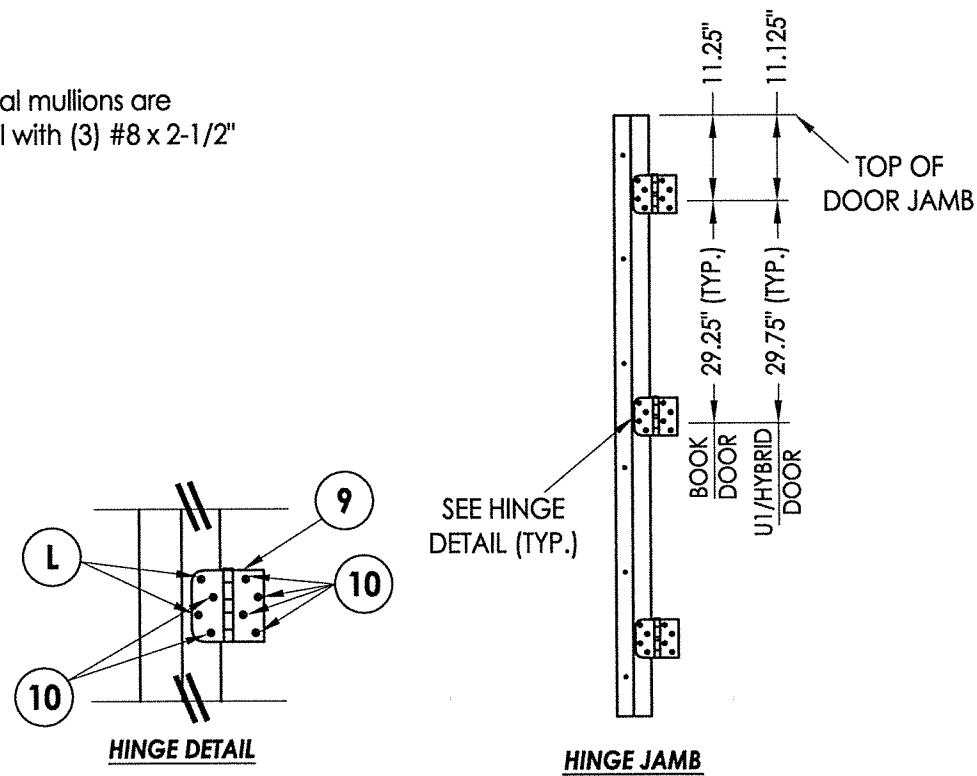
TEXAS BOARD OF PROFESSIONAL ENGINEERS  
 CERTIFICATE OF REGISTRATION # F-11852

PRODUCT:	Therma-TRU
PART OR ASSEMBLY:	FRAME ANCHORING

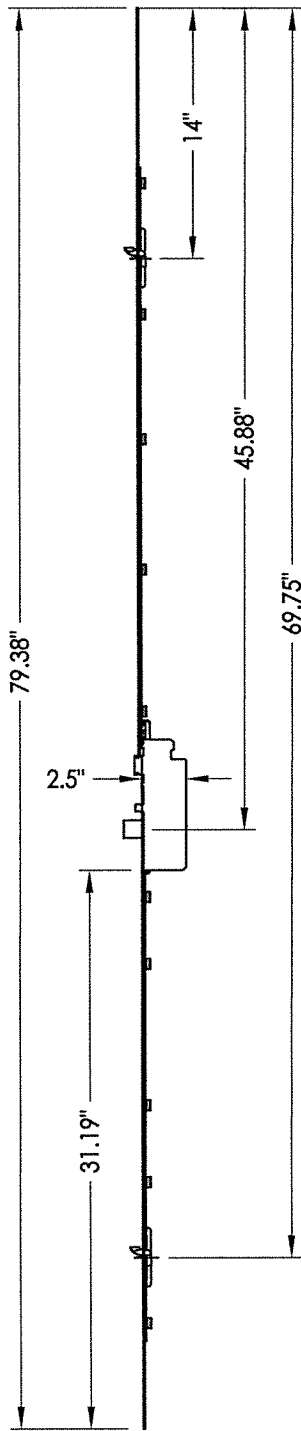
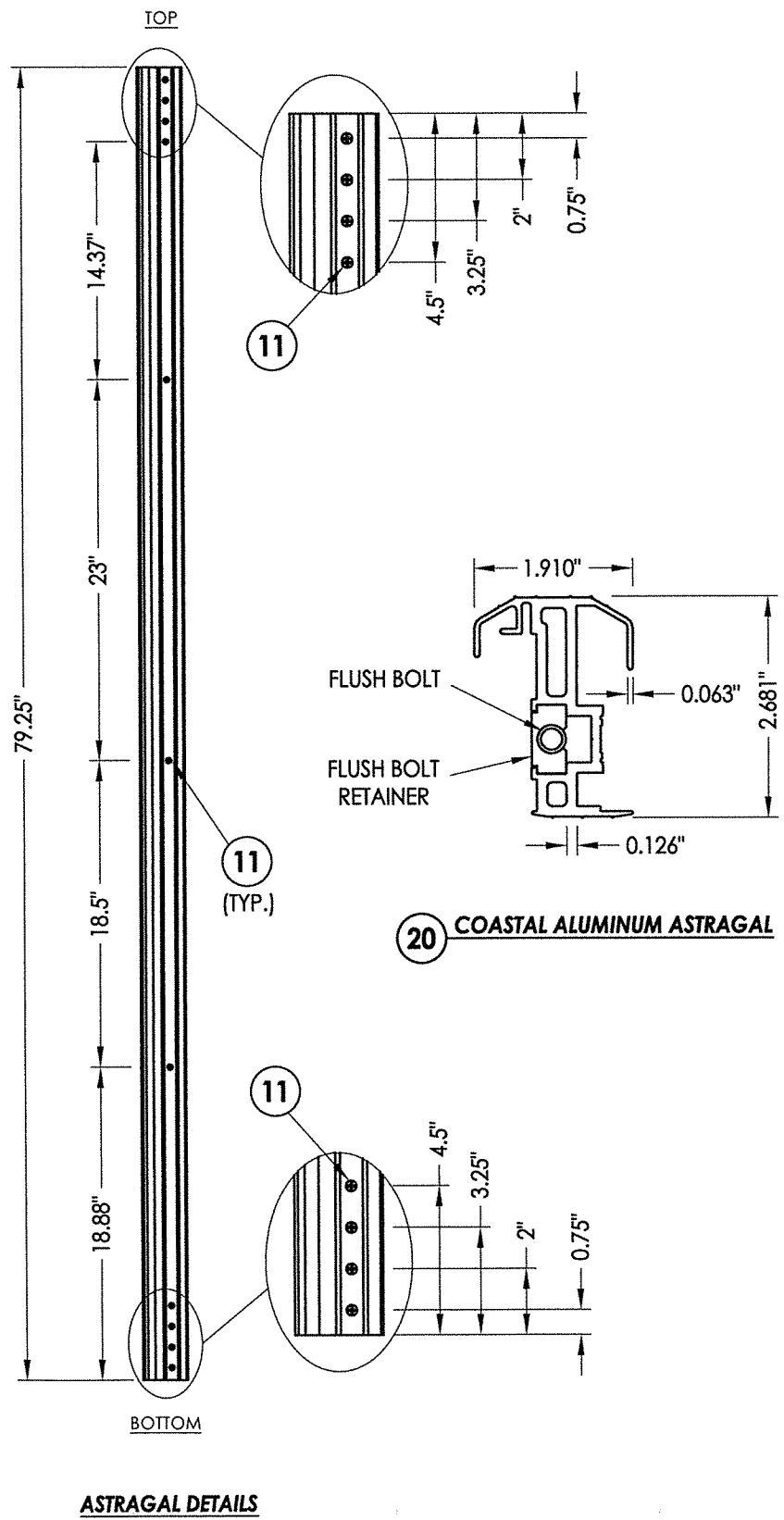
NO.	DATE	DESCRIPTION	BY
1	9/23/21	UPDATE TO 2018 IBC/IRC CODE	LFS

DATE:	11/29/17
SCALE:	N.T.S.
DWG. BY:	JK
CHK. BY:	LFS
DRAWING NO.:	TX-4753
SHEET	8 OF 13

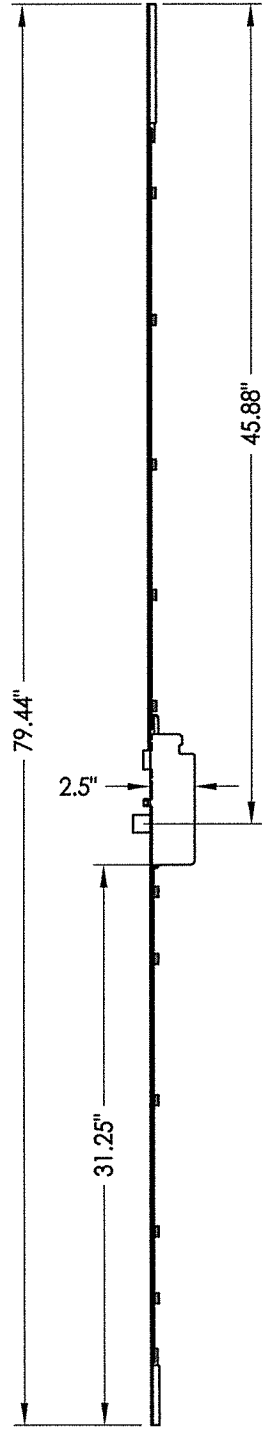
\* The frame jambs and vertical mullions are secured to the head and sill with (3) #8 x 2-1/2" wood screws each.





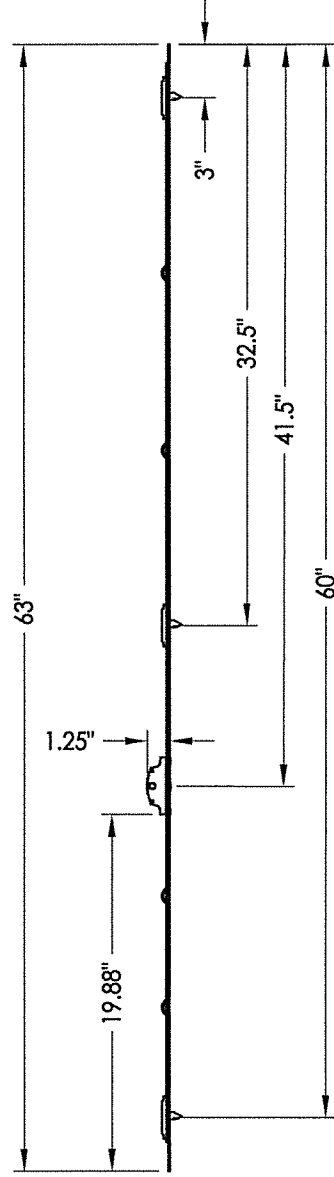


**HOPPE MULTIPOINT LOCK**  
Manual Raised Tongue  
Gear System  
(Single Door)

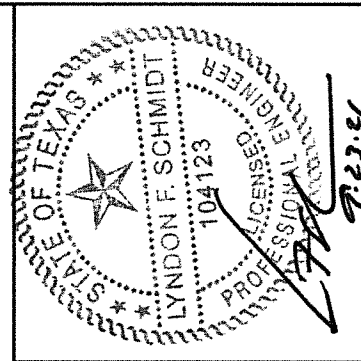


**HOPPE MULTIPOINT LOCK**  
Manual Shootbolt System  
(Double Door)

**HOPPE MULTI-POINT LOCK SYSTEMS**



**HOPPE MULTIPOINT LOCK**  
Manual Raised Tongue  
Gear System  
(Sidelite)



Documents Prepared By: Lyndon F. Schmidt, P.E.  
TEXAS P.E. #104123

**RW** BUILDING CONSULTANTS, INC.  
P.O. Box 230 Vairico FL 33595  
Phone No.: 813.659.9197

TEXAS BOARD OF PROFESSIONAL ENGINEERS  
CERTIFICATE OF REGISTRATION # F-11852

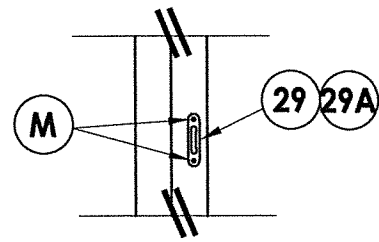
PRODUCT: THERMA-TRU

PART OR ASSEMBLY: HARDWARE DETAILS

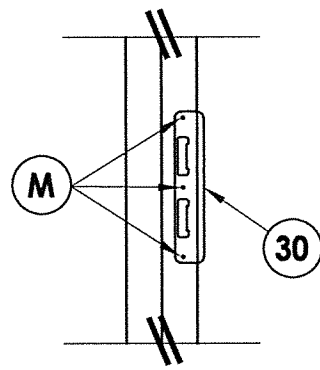
NO.	DATE	DESCRIPTION	BY
1	9/23/21	UPDATE TO 2018 IBC/IRC CODE	LFS

DATE: 11/29/17  
SCALE: N.T.S.  
DWG. BY: JK  
CHK. BY: LFS  
DRAWING NO.: TX-4753  
SHEET 9 OF 13

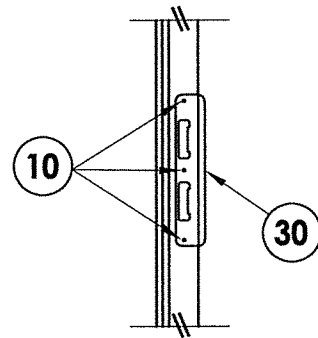
Z:\Clients\Therma Tru PERMANENT\B - Texas Dept of Ins\TDI - DR 948 - 6'8 & 8'0 Glazed FG NonImp IS Vented Sidelites (TX 4753-4754)\C - Drawings\TX-4753.dwg



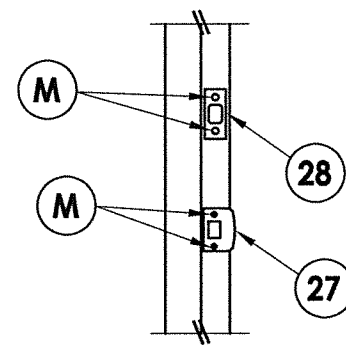
**TONGUE STRIKE DETAIL**  
Single Door/Sidelite



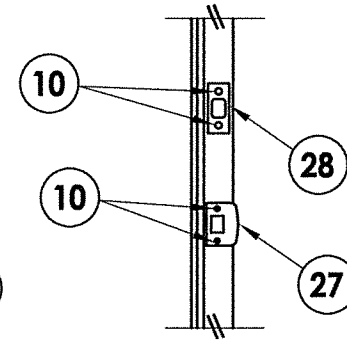
**LATCH & DEADBOLT DETAIL**  
Single Door



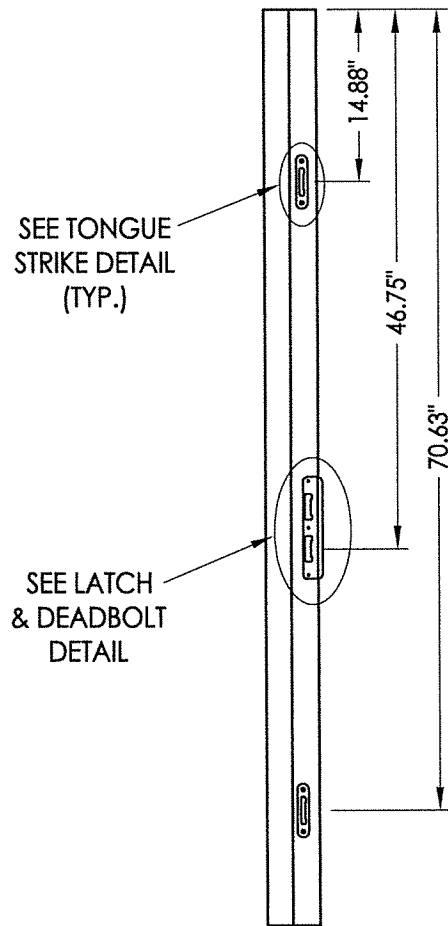
**LATCH & DEADBOLT DETAIL**  
Double Door



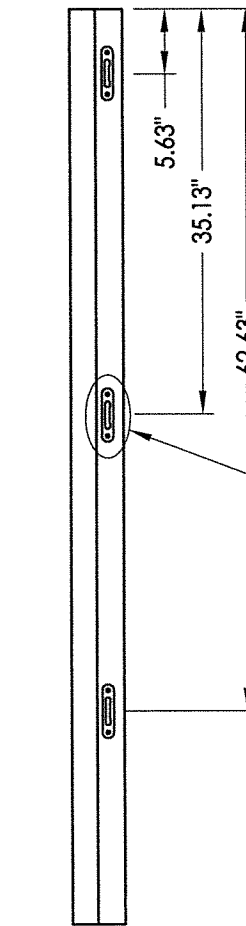
**LATCH & DEADBOLT DETAIL**  
Single Door



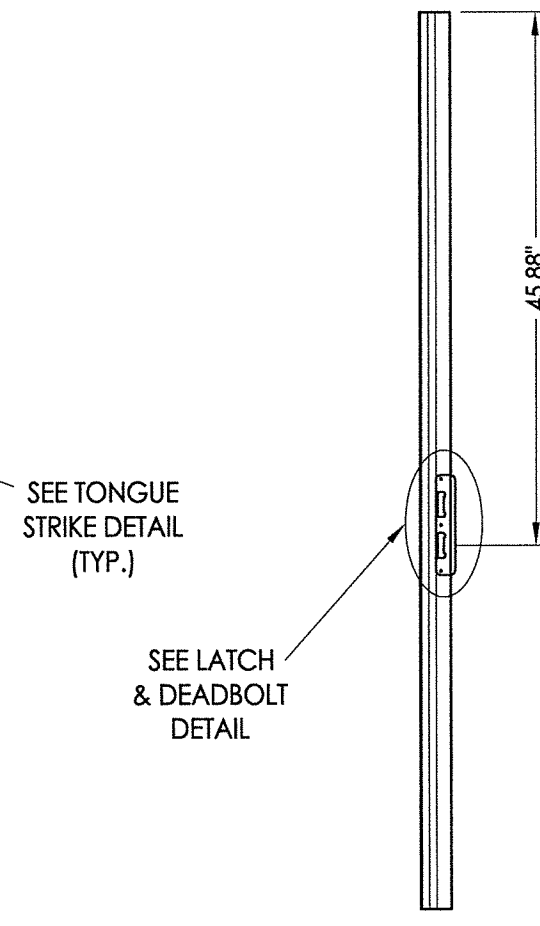
**LATCH & DEADBOLT DETAIL**  
Double Door



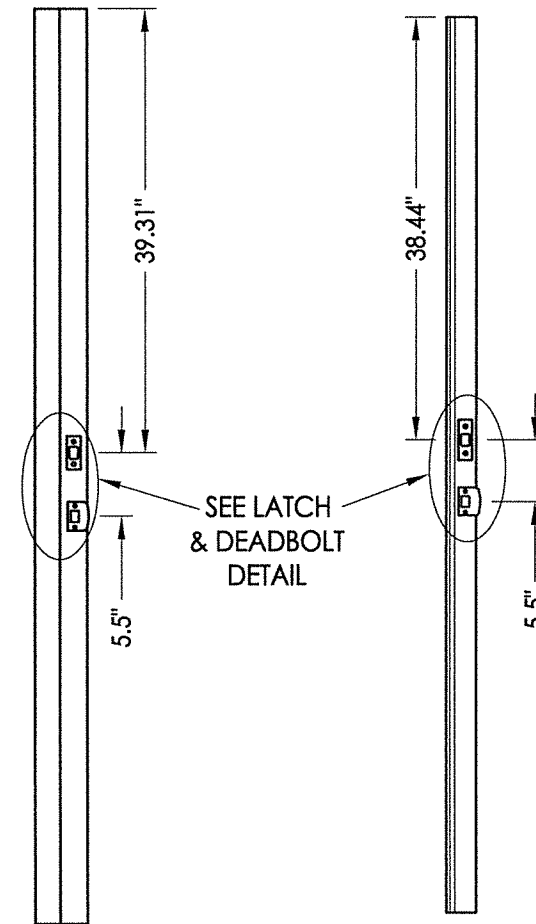
**STRIKE JAMB / MULLION**  
Single Door



**STRIKE MULLION**  
Sidelite



**ASTRAGAL STRIKE**  
Double Door

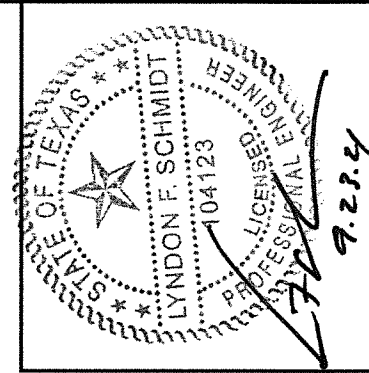


**STRIKE JAMB / MULLION**  
Single Door

**ASTRAGAL STRIKE**  
Double Door

**MULTIPOINT LOCK STRIKE DETAILS**

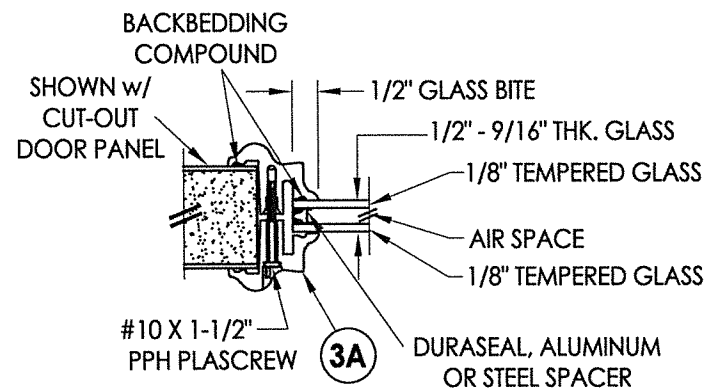
**LATCH & DEADBOLT STRIKE DETAILS**



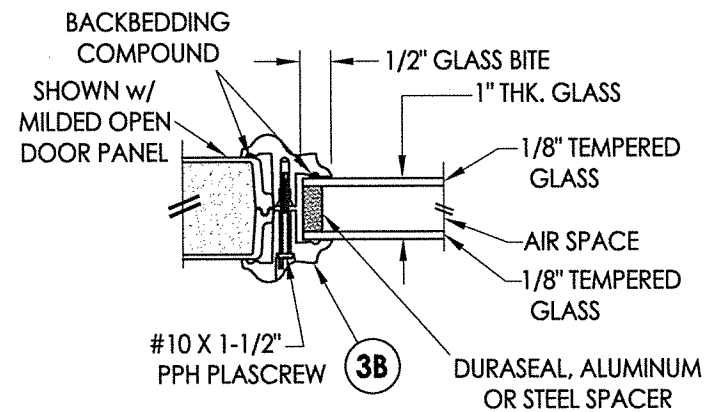
Documents Prepared By: Lyndon F. Schmidt, P.E.  
TEXAS P.E. #104123

**RW** BUILDING CONSULTANTS, INC.  
P.O. Box 230 Vairico FL 33595  
Phone No.: 813.659.9197  
TEXAS BOARD OF PROFESSIONAL ENGINEERS  
CERTIFICATE OF REGISTRATION # F-11852

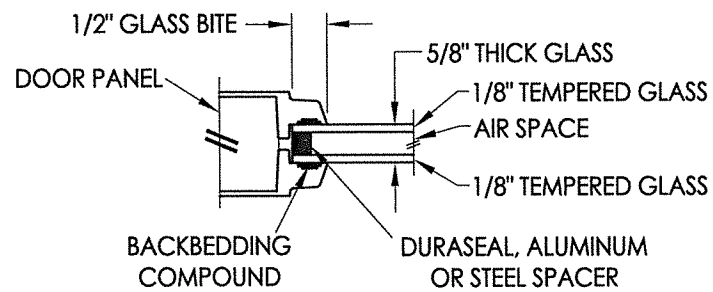
PRODUCT:		THERMA-TRU	
PART OR ASSEMBLY:		HARDWARE STRIKE DETAILS	
NO.	DATE	DESCRIPTION	BY
1	9/23/21	UPDATE TO 2018 IBC/IRC CODE	LFS
REVISIONS			
DATE: 11/29/17			
SCALE: N.T.S.			
DWG. BY: JK			
CHK. BY: LFS			
DRAWING NO.: TX-4753			
SHEET 10 OF 13			



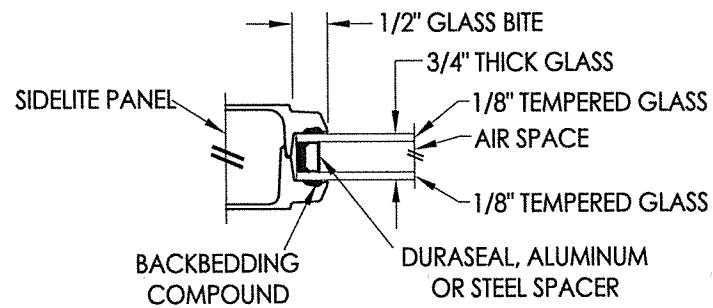
**G1 GLAZING DETAIL**  
BTS Lite Frame  
Door Panels and Sidelites



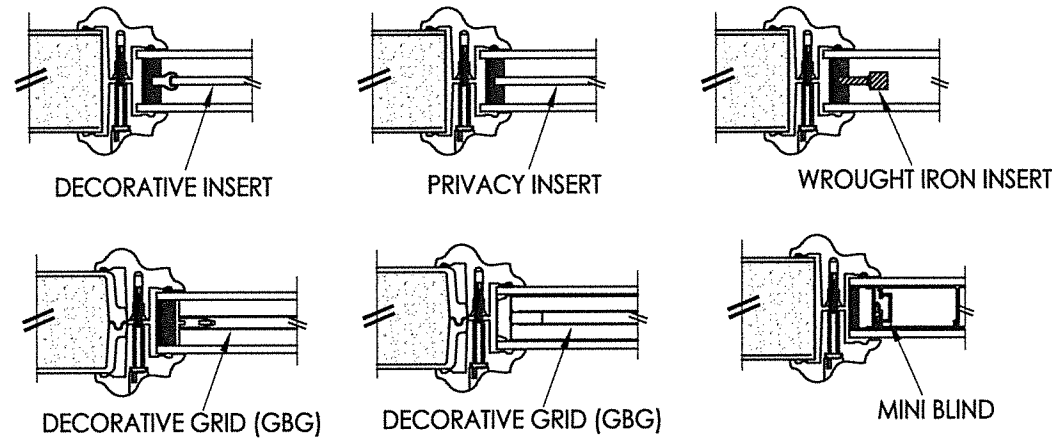
**G2 GLAZING DETAIL**  
BTS Lite Frame  
Door Panels and Sidelites



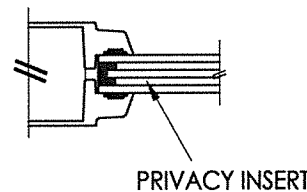
**G3 GLAZING DETAIL**  
Flush Glazed  
Door Panels



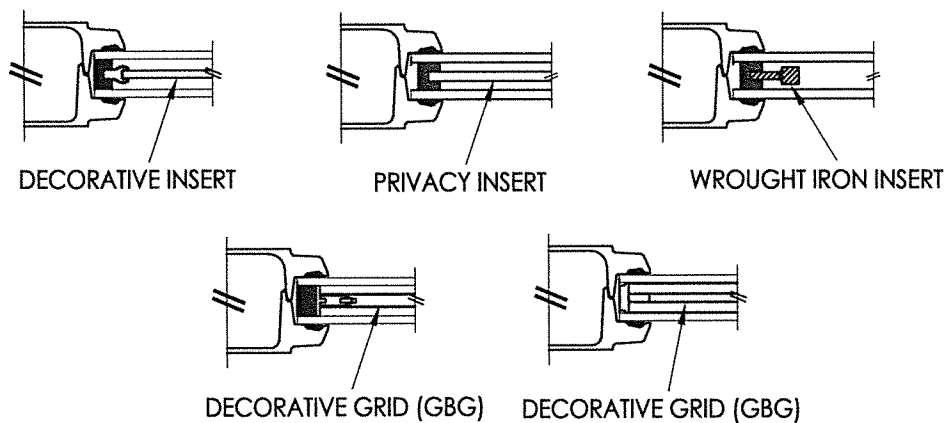
**G4 GLAZING DETAIL**  
Flush Glazed  
Sidelites



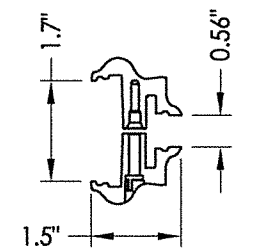
**1" INSULATED GLASS INSERT OPTIONS**  
(Door Panels and Sidelites)



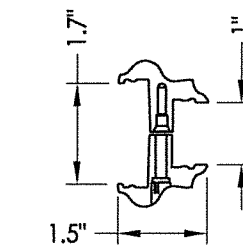
**5/8" FLUSH GLAZING GLASS INSERT OPTIONS**  
(Door Panels only)



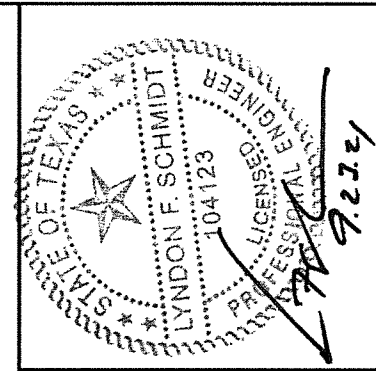
**3/4" FLUSH GLAZING GLASS INSERT OPTIONS**  
(Sidelites only)



**3A BTS LITE FRAME**  
1/2" & 9/16" Glazing



**3B BTS LITE FRAME**  
1" Glazing

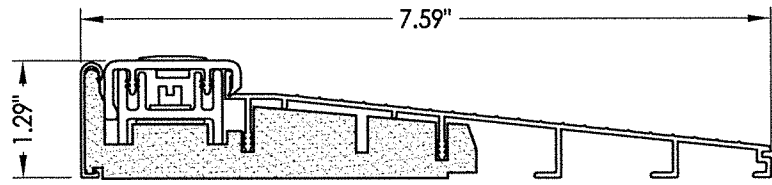


Documents Prepared By: Lyndon F. Schmidt, P.E.  
TEXAS P.E. #104123

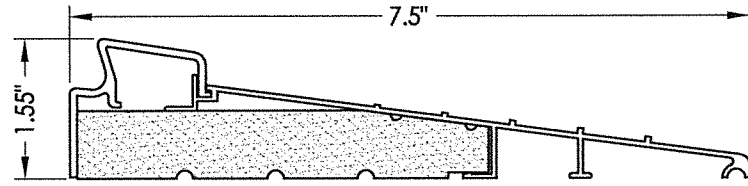
**RW** BUILDING CONSULTANTS, INC.  
P.O. Box 230 Valrico FL 33595  
Phone No.: 813.659.9197  
TEXAS BOARD OF PROFESSIONAL ENGINEERS  
CERTIFICATE OF REGISTRATION # F-11852

PRODUCT: THERMA TRU FIBERGLASS DOOR		PART OR ASSEMBLY: GLAZING DETAILS	
NO.		DATE	
1	9/23/21	LFS	BY
UPDATE TO 2018 IBC/IRC CODE		REVISIONS	
DATE: 11/29/17			
SCALE: N.T.S.			
DWG. BY: JK			
CHK. BY: LFS			
DRAWING NO.: TX-4753			
SHEET 11 OF 13			

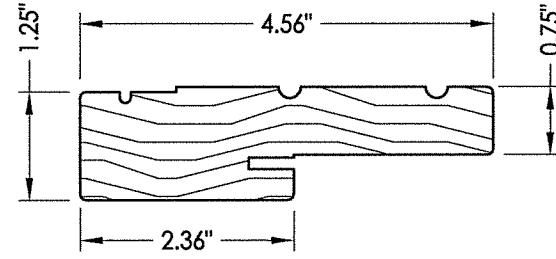
Z:\Clients\Therma Tru PERMANENT\B - Texas Dept of Ins\TDI - DR 948 - 6'8 & 8'0 Glazed FG NonImp IS Vented Sidelites (TX 4753-4754)\C - Drawings\TX-4753.dwg



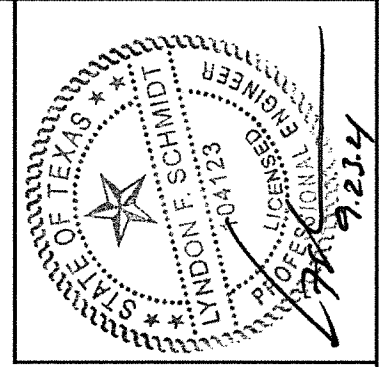
**32 INSWING THRESHOLD**  
Inswing Basic Composite Adjustable Sill 7-1/2"



**37 INSWING THRESHOLD**  
Inswing Basic Fixed 7-1/2" Sill

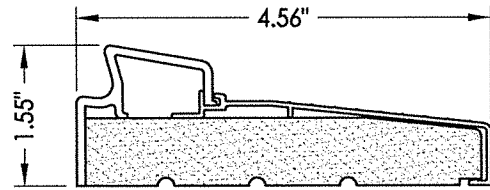


**1 WOOD JAMB**

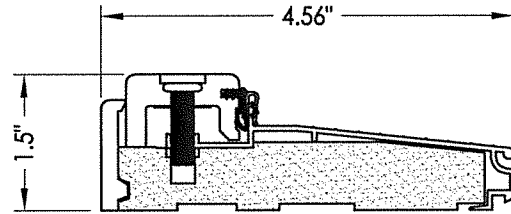


Documents Prepared By: Lyndon F. Schmidt, P.E.  
TEXAS P.E. #104123

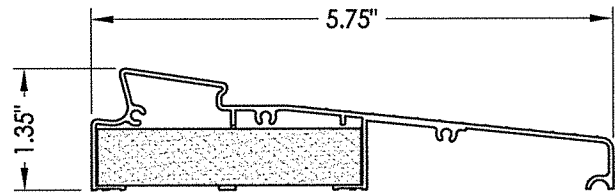
**RW** BUILDING CONSULTANTS, INC.  
P.O. Box 230 Valrico FL 33595  
Phone No.: 813.659.9197  
TEXAS BOARD OF PROFESSIONAL ENGINEERS  
CERTIFICATE OF REGISTRATION # F-11852



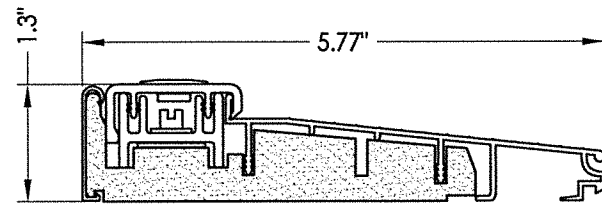
**33 INSWING THRESHOLD**  
Inswing Basic Fixed Sill



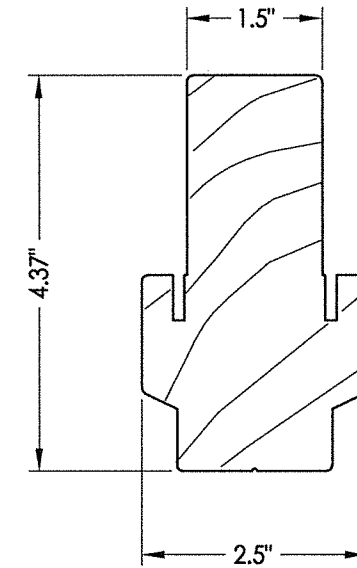
**38 INSWING THRESHOLD**  
Inswing Composite Adjustable Sill



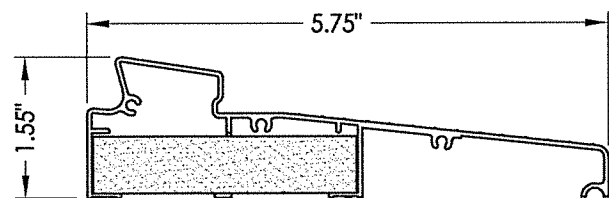
**34 INSWING THRESHOLD**  
Inswing Moderate Climate Sill 1-3/8"



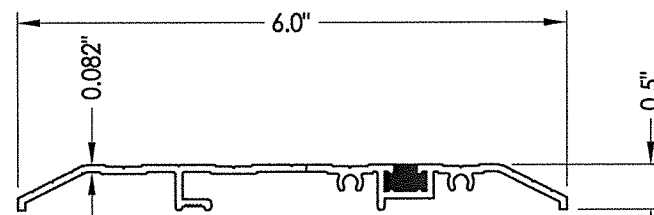
**39 INSWING THRESHOLD**  
Inswing Basic Composite Adjustable Sill



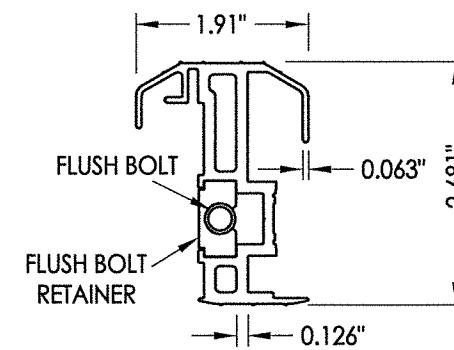
**2 INTEGRAL MULLION**



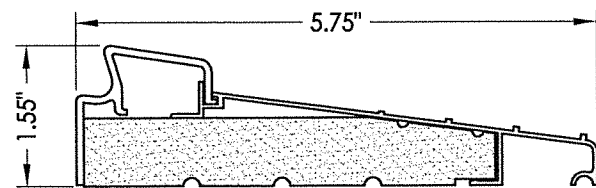
**35 INSWING THRESHOLD**  
Inswing Moderate Climate Sill



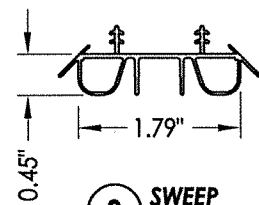
**15 PUBLIC ACCESS THRESHOLD**



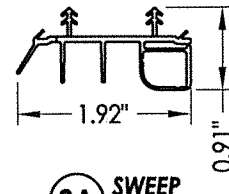
**20 COASTAL ALUMINUM ASTRAGAL**



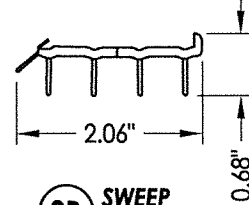
**36 INSWING THRESHOLD**  
Inswing Basic Fixed 5-3/4" Sill



**8 SWEEP**



**8A SWEEP**



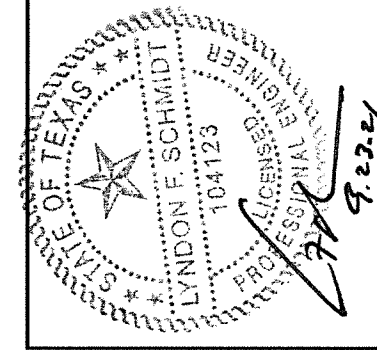
**8B SWEEP**

PRODUCT:		THERMA-TRU FIBERGLASS DOOR	
PART OR ASSEMBLY:		COMPONENTS	
NO.	DATE	REVISIONS	BY
1	9/23/21	UPDATE TO 2018 IBC/IRC CODE	LFS

DATE:	11/29/17
SCALE:	N.T.S.
DWG. BY:	JK
CHK. BY:	LFS
DRAWING NO.:	TX-4753
SHEET	12 OF 13

**BILL OF MATERIALS**

ITEM #	DESCRIPTION	MATERIAL
A	2X FRAMING (SG >= 0.42)	WOOD
C	1/4" MAX. SHIM SPACE	-
D	1/4" PFH DeWALT OR ITW CONCRETE SCREW (1-3/4" MIN. EMBEDMENT)	STEEL
K	#12 PFH WOOD SCREW (1-1/2" MIN. EMBEDMENT)	STEEL
L	#10 X 2-1/2" PFH WOOD SCREW (1.15" MIN. EMBEDMENT)	STEEL
M	#8 X 1-1/4" PFH WOOD SCREW	STEEL
1	JAMB (FINGER JOINT PINE )	WOOD
2	INTEGRAL MULLION (PINE, SG >=0.42)	WOOD
6	WEATHERSTRIP (MEDIUM REACH)	FOAM
7	WEATHERSTRIP (LONG REACH)	FOAM
8	SWEEP	VINYL
8A	SWEEP (USE w/ MODERATE CLIMATE THRESHOLD)	VINYL
8B	SWEEP (USE w/ PUBLIC ACCESS THRESHOLD)	VINYL
9	4" X 4" HINGE	STEEL
10	#10 x 3/4" PFH WOOD SCREW	STEEL
11	#10 X 1-3/4" PFH WOOD SCREW	STEEL
15	PUBLIC ACCESS THRESHOLD	ALUM
20	COASTAL ALUMINUM ASTRAGAL	STEEL
23	ASTRAGAL & SHOOTBOLT STRIKE PLATE (AT HEAD)	STEEL
24	ASTRAGAL & SHOOTBOLT STRIKE PLATE (AT SILL)	STEEL
27	LATCH STRIKE PLATE (STANDARD)	STEEL
28	DEADBOLT PLATE (STANDARD)	STEEL
29	TONGUE STRIKE PLATE (DOOR TONGUE SYSTEM)	STEEL
29A	TONGUE STRIKE PLATE (SIDELITE TONGUE SYSTEM)	STEEL
30	LATCH & DEADBOLT STRIKE PLATE (TONGUE SYSTEM)	ALUM/COMP
31	MULTIPOINT STRIKE PLATE (TONGUE SYSTEM)	ALUM/COMP
32	INSWING THRESHOLD	ALUM/COMP
33	INSWING THRESHOLD	ALUM/COMP
34	INSWING THRESHOLD	ALUM/COMP
35	INSWING THRESHOLD	ALUM/COMP
36	INSWING THRESHOLD	ALUM/COMP
37	INSWING THRESHOLD	ALUM/COMP
38	INSWING THRESHOLD	ALUM/COMP
39	INSWING THRESHOLD	ALUM/COMP
40	DOOR PANEL (BOOK)	-
41	DOOR PANEL (HYBRID)	-
42	DOOR PANEL (U1)	-
43	DOOR PANEL (BOOK)	-
44	DOOR PANEL (HYBRID)	-
45	DOOR PANEL (U1)	-
50	SIDELITE	-



Documents Prepared By: Lyndon F. Schmidt, P.E.  
TEXAS P.E. #104123

**RW** BUILDING CONSULTANTS, INC.  
P.O. Box 230 Vairico FL 33595  
Phone No.: 813.659.9197

TEXAS BOARD OF PROFESSIONAL ENGINEERS  
CERTIFICATE OF REGISTRATION # F-11852

PRODUCT: THERMA-TRU FIBERGLASS DOOR  
PART OR ASSEMBLY: BILL OF MATERIALS

NO.	DATE	DESCRIPTION
1	9/23/21	UPDATE TO 2018 IBC/IRC CODE

DATE: 11/29/17  
SCALE: N.T.S.  
DWG. BY: JK  
CHK. BY: LFS  
DRAWING NO.: TX-4753  
SHEET 13 OF 13

**CONCRETE ANCHOR NOTES:**

- Concrete anchor locations at the corners may be adjusted to maintain the min. edge distance to mortar joints.
- Concrete anchor locations noted as "MAX. ON CENTER" must be adjusted to maintain the min. edge distance to mortar joints, additional concrete anchors may be required to ensure the "MAX. ON CENTER" dimension are not exceeded.
- Concrete anchor table:

ANCHOR TYPE	ANCHOR SIZE	MIN. EMBEDMENT	MIN. CLEARANCE TO MASONRY EDGE	MIN. CLEARANCE TO ADJACENT ANCHOR
ITW TAPCON®	1/4"	1-3/4"	2"	4"
DeWALT ULTRACON®	1/4"	1-3/4"	1"	4"

**WOOD SCREW INSTALLATION NOTES:**

- Maintain a minimum 5/8" edge distance, 1" end distance, & 1" o.c. spacing of wood screws to prevent the splitting of wood.