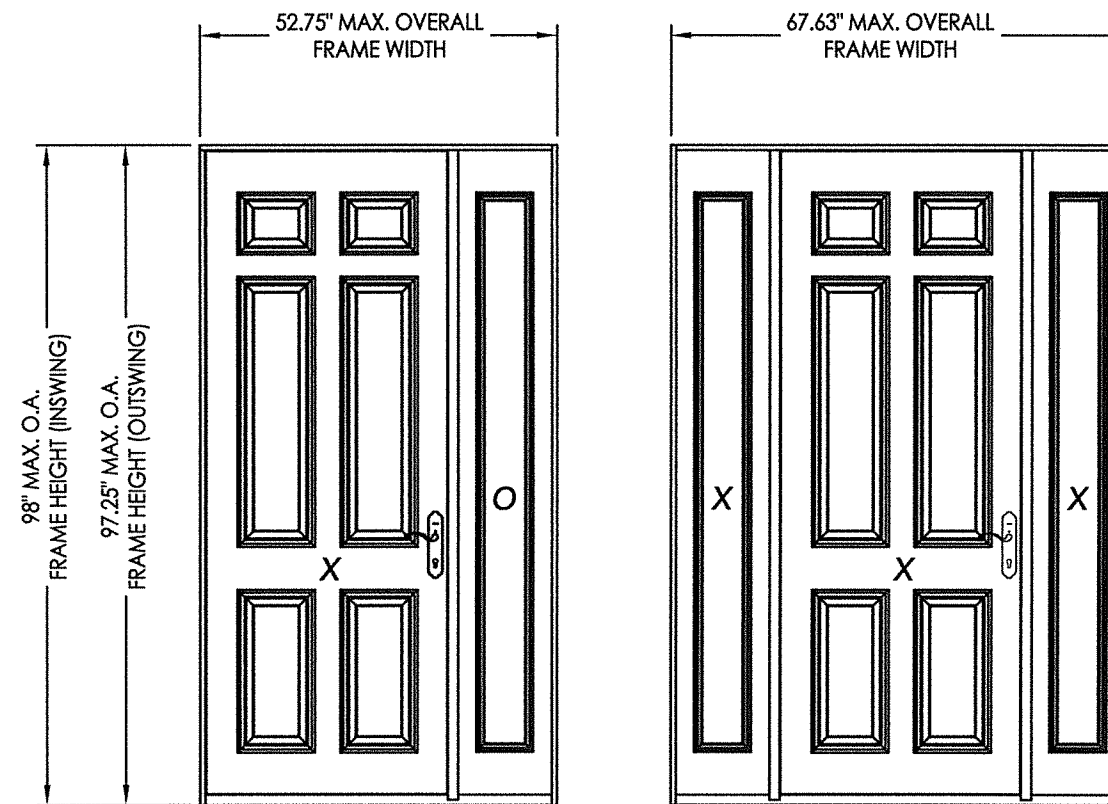


# THERMA-TRU<sup>®</sup> DOORS

Fiber-Classic<sup>®</sup> & Smooth-Star<sup>®</sup>

## COMPOSITE EDGE OPAQUE FIBERGLASS DOUBLE DOOR w/ or w/out SIDELITES IN SWING/OUT SWING "NON-IMPACT"



### CONTINUOUS HEAD & SILL

CONFIGURATION	DESIGN PRESSURE (PSF) IN SWING		DESIGN PRESSURE (PSF) OUT SWING	
	POSITIVE	NEGATIVE	POSITIVE	NEGATIVE
XO, OX, OXO	+55.0	-55.0	+60.0	-60.0

See Sheet 4 for Hardware Specifications

#### EVALUATED FOR USE IN THE STATE OF TEXAS

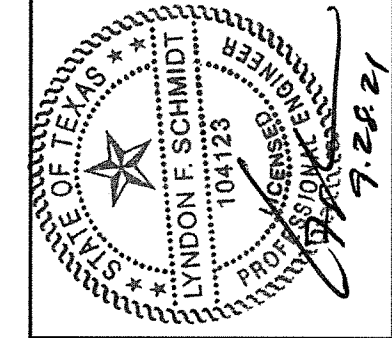
**TDI DR-947**

The Fiberglass Door system described herein complies with the 2018 International Residential Code (IRC), Sections R301 & R609 and the 2018 International Building Code (IBC), Sections 1404.13, 1609, 1709.5, 2403 and 2404 subject to the following conditions:

1. Anchors shall be as listed and spaced as shown in the details. Anchor embedment to base material shall be beyond wall dressing or stucco.
2. When used in areas requiring wind-borne debris protection this product is required to be protected with an impact resistant covering that complies with Section R301.2.1.2 of the IRC and Section 1609.1.2 of the IBC.
3. Allowable design pressure requirements must be equal to or less than the design pressure rating shown in the design pressure chart, sheet 1 of this drawing.
4. Conditions not covered by this drawing are subject to further engineering analysis.
5. Fiber-Classic and Smooth-Star Door and Sidelite panels require the use of "J" part numbers. These door and sidelite panels must be stained or painted within six months of installation.

#### TABLE OF CONTENTS

SHEET #	DESCRIPTION
1	Typical Elevations, Design Pressures & General Notes
2	Door Panel Details
3	Sidelite Panel Details
4	Elevations
5	Horizontal & Vertical Cross Sections
6	Vertical Cross Sections (Thresholds)
7	Frame Anchoring
8	Hardware Details
9	Glazing Details
10	Components
11	Bill of Materials



Documents Prepared By: Lyndon F. Schmidt, P.E.  
TEXAS P.E. #104123

**RW** BUILDING CONSULTANTS, INC.  
P.O. Box 230 Valrico FL 33595  
Phone No.: 813.659.9197

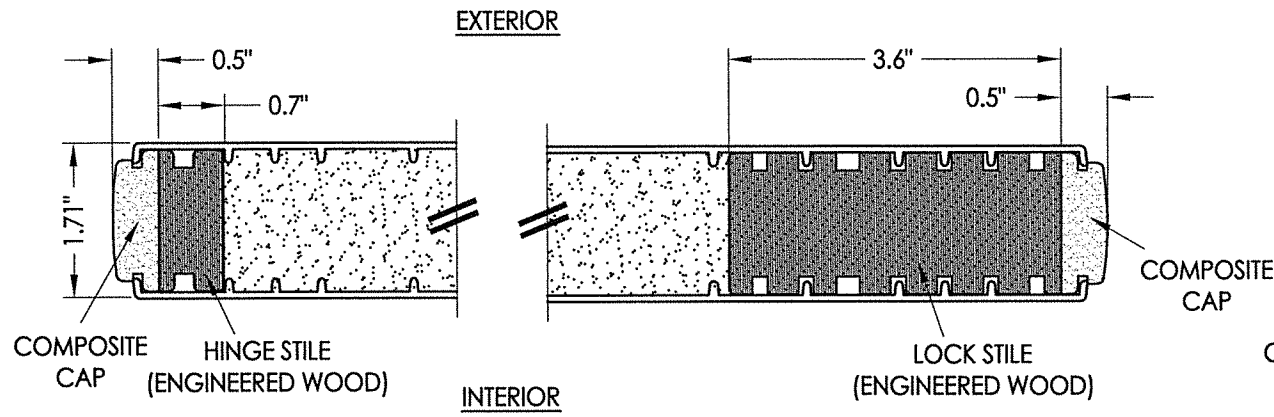
CERTIFICATE OF REGISTRATION # F-11852

PRODUCT: THERMA-TRU  
FIBERGLASS DOOR  
PART OR ASSEMBLY:  
TYPICAL ELEVATION, DESIGN  
PRESSURES & GENERAL NOTES

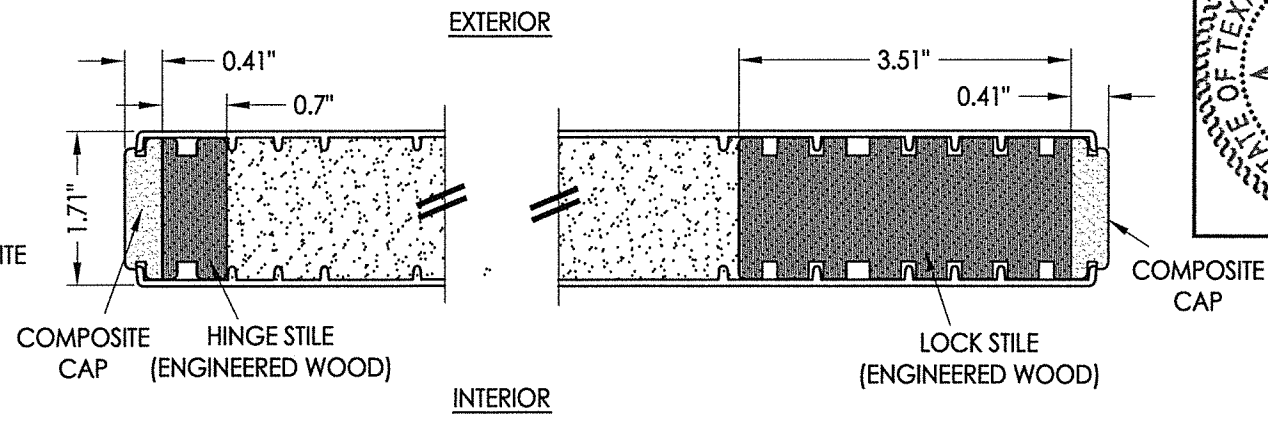
NO.	DATE	BY	REVISIONS
1	9/28/21	LFS	UPDATE TO 2018 IBC/IRC CODE

DATE: 11/14/17  
SCALE: N.T.S.  
DWG. BY: JK  
CHK. BY: LFS  
DRAWING NO.: TX-4727  
SHEET 1 OF 11

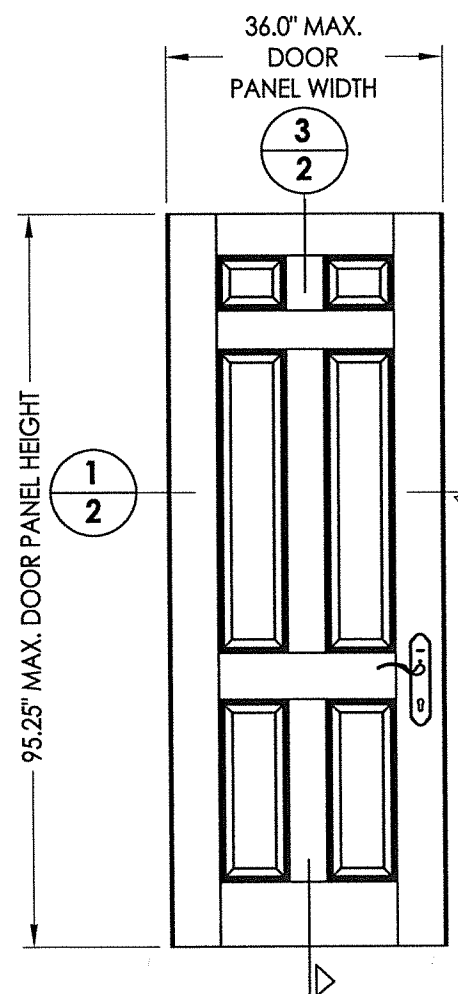
Z:\Clients\Therma Tru PERMANENT\B - Texas Dept of Ins\TDI - DR 947 - 6'8 & 8'0 Opaque Comp Edge Non-Impact (TX 4716 - 4727)\C - Drawings\TX-4726-27.dwg



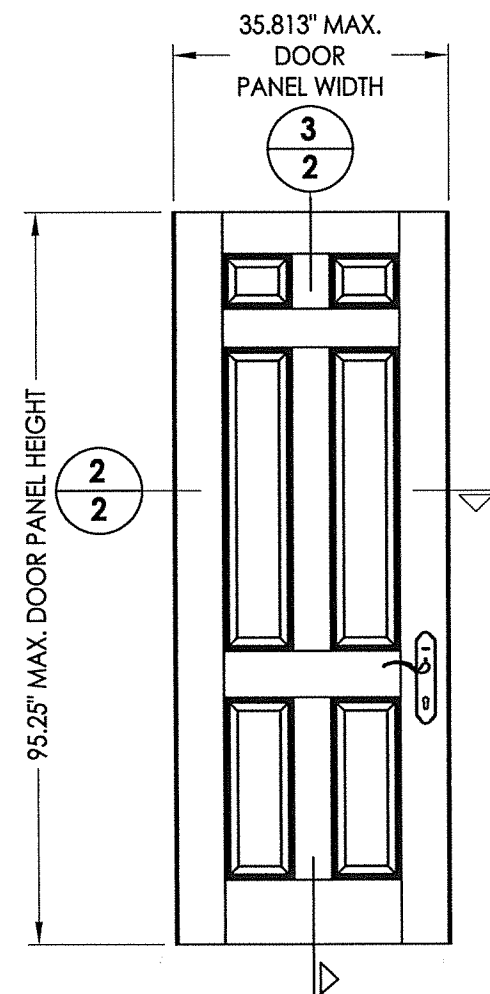
**1**  
**2** HORIZONTAL CROSS SECTION



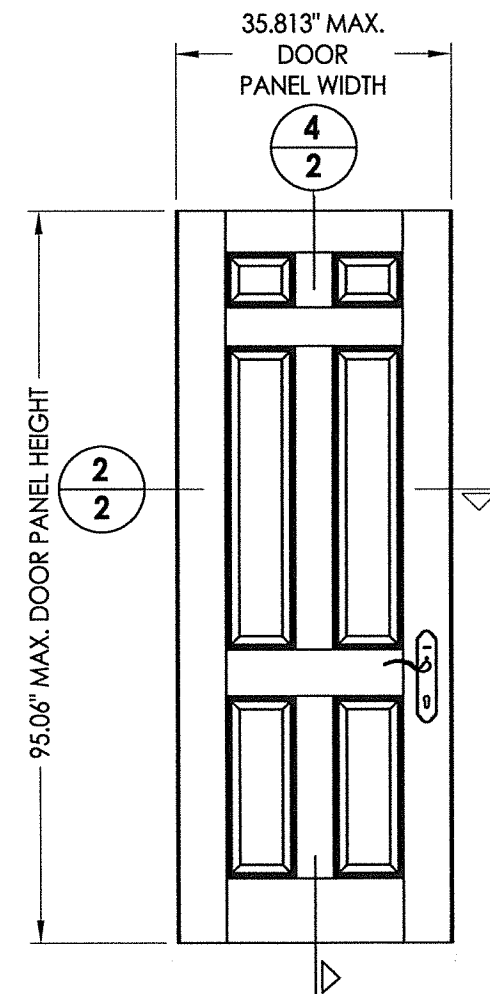
**2**  
**2** HORIZONTAL CROSS SECTION



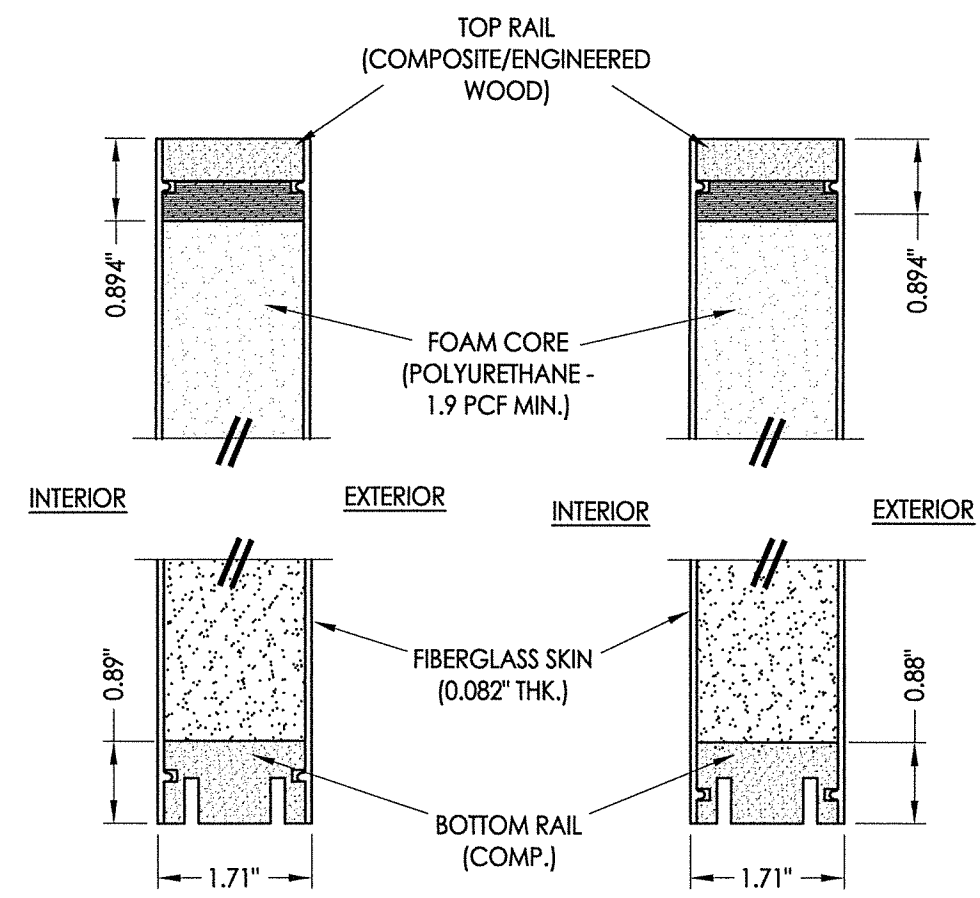
**40** DOOR PANEL BOOK



**41** DOOR PANEL Hybrid Door

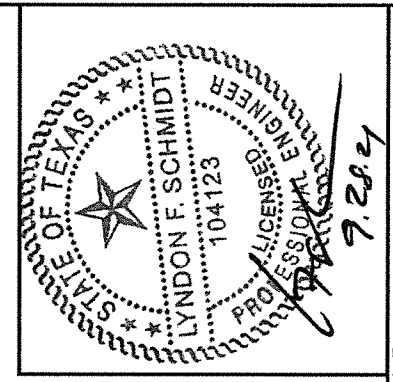


**42** DOOR PANEL U1 Door



**3**  
**2** VERTICAL CROSS SECTION

**4**  
**2** VERTICAL CROSS SECTION

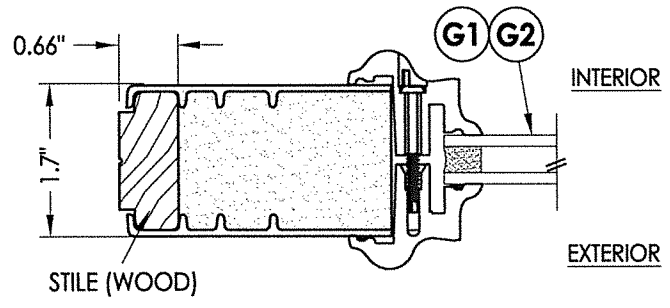


Documents Prepared By: Lyndon F. Schmidt, P.E.  
TEXAS P.E. #104123

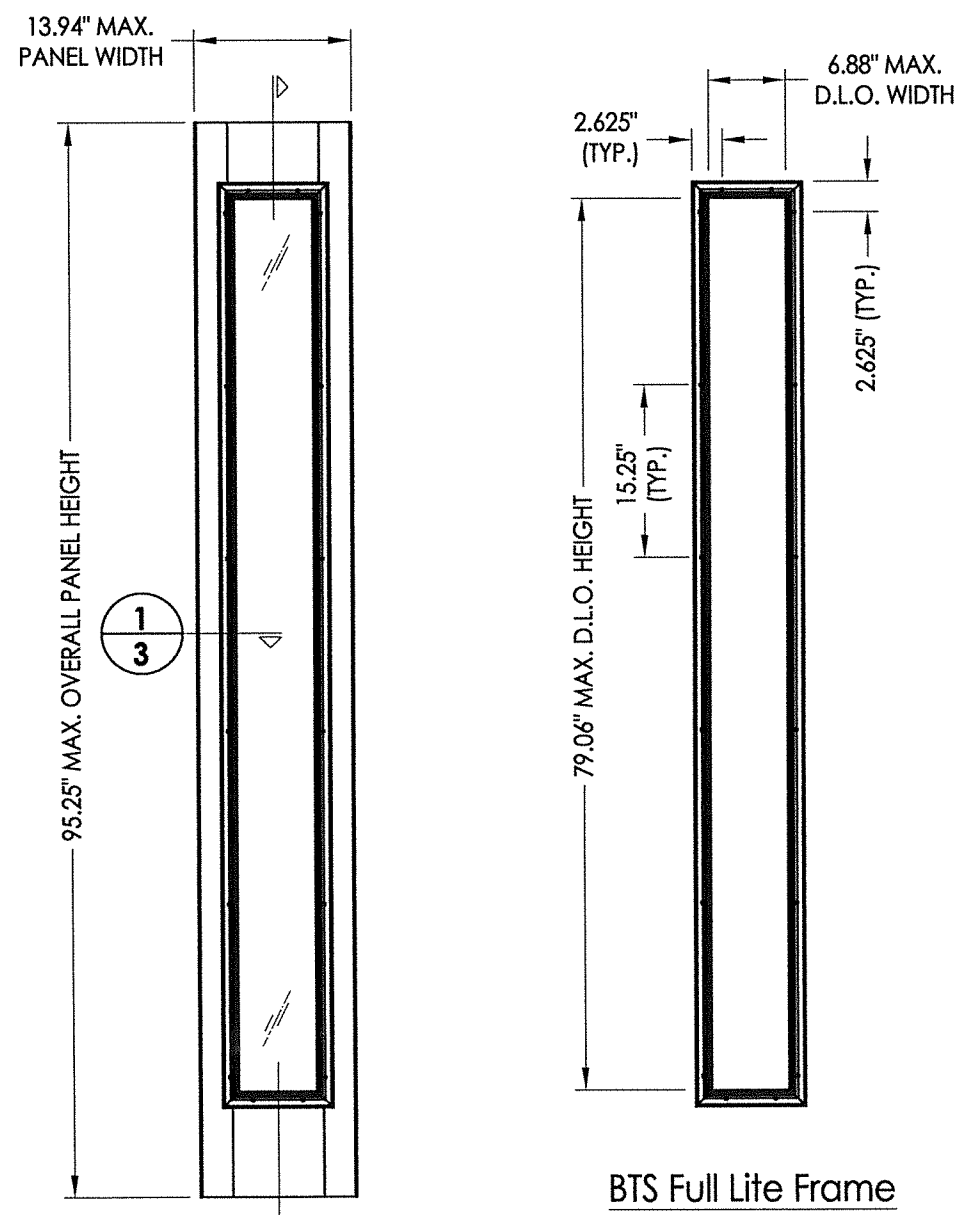
**RW** BUILDING CONSULTANTS, INC.  
P.O. Box 230 Valrico FL 33595  
Phone No.: 813.659.9197

CERTIFICATE OF REGISTRATION # F-11852

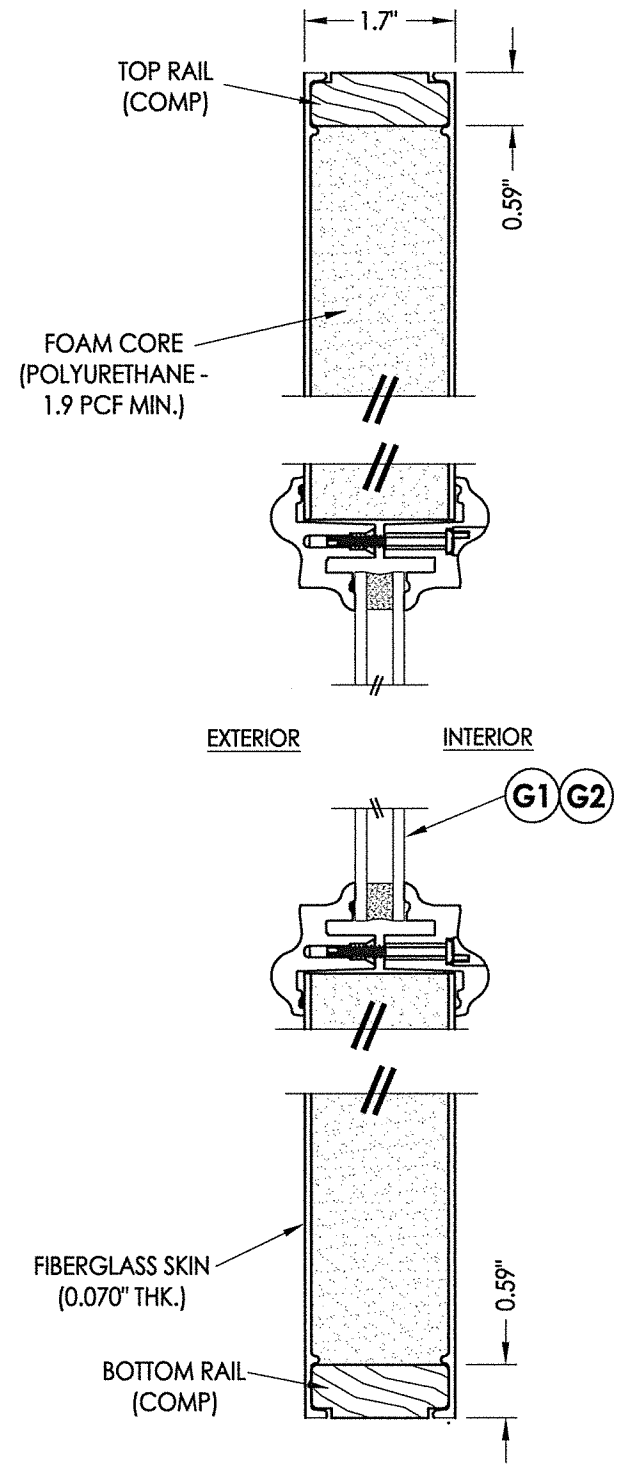
PRODUCT: THERMA-TRU FIBERGLASS DOOR	
PART OR ASSEMBLY: DOOR PANEL DETAILS	
NO.	DATE
1	9/28/21
UPDATE TO 2018 IBC/IRC CODE	
LFS	BY
REVISIONS	
DATE: 11/14/17	
SCALE: N.T.S.	
DWG. BY: JK	
CHK. BY: LFS	
DRAWING NO.: TX-4727	
SHEET 2 OF 11	



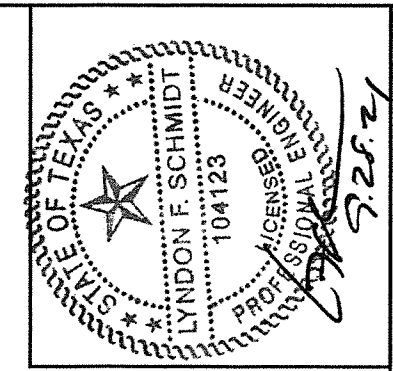
**1**  
**3** **HORIZONTAL CROSS SECTION**  
Lip Lite Glazing



**2**  
**3** **50 SIDELITE PANEL**  
Full Lite  
Lip Lite



**2**  
**3** **VERTICAL CROSS SECTION**  
Lip Lite Glazing

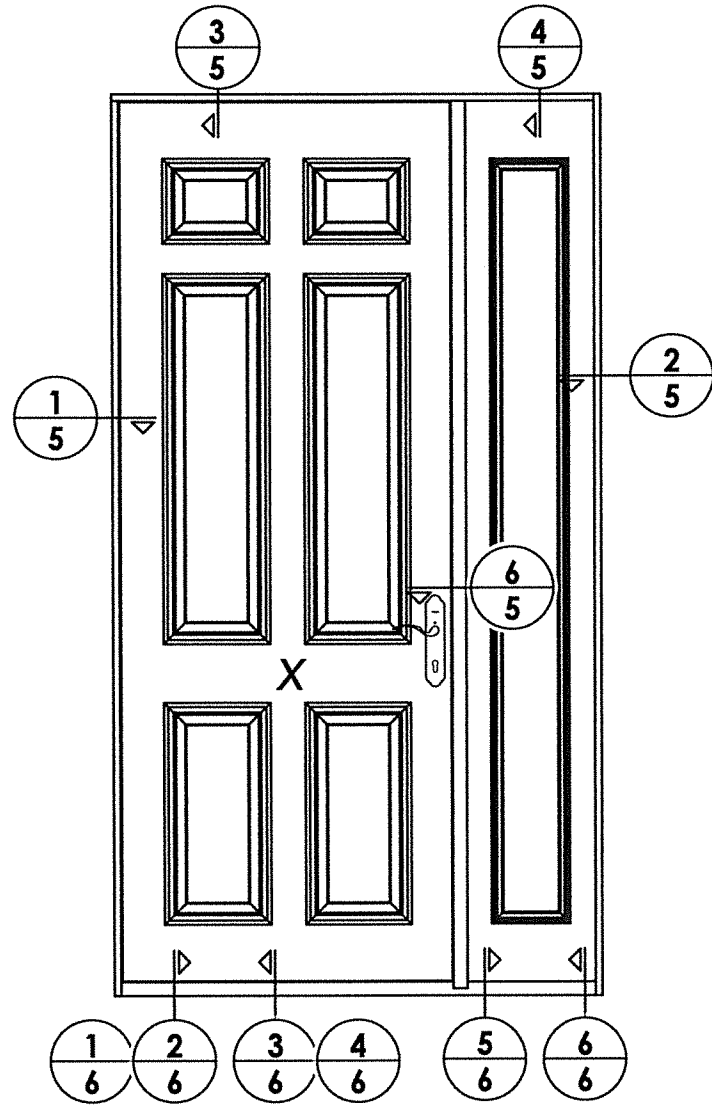


Documents Prepared By: Lyndon F. Schmidt, P.E.  
TEXAS P.E. #104123

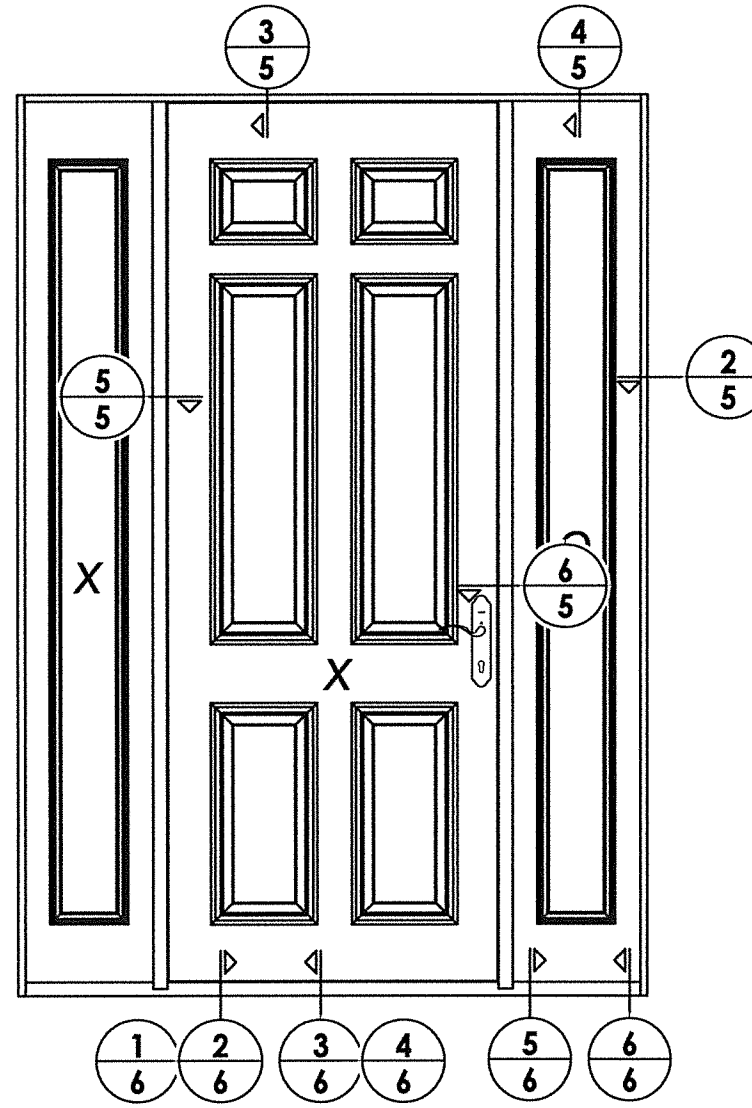
**RW** BUILDING CONSULTANTS, INC.  
P.O. Box 230 Valrico FL 33595  
Phone No.: 813.659.9197

CERTIFICATE OF REGISTRATION # F-11852

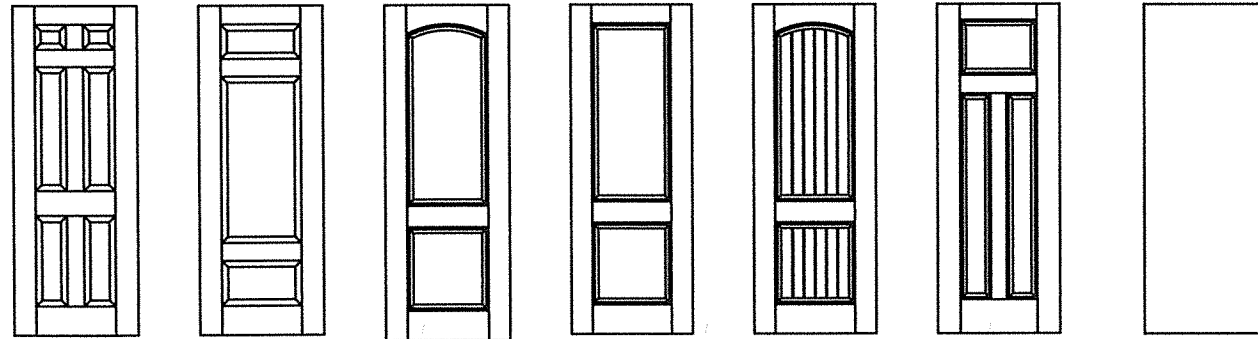
PRODUCT:		THERMA-TRU FIBERGLASS DOOR	
PART OR ASSEMBLY:		SIDELITE PANEL DETAILS	
NO.	DATE	DESCRIPTION	BY
1	9/28/21	UPDATE TO 2018 IBC/IRC CODE	LFS
			REVISIONS
DATE: 11/14/17			
SCALE: N.T.S.			
DWG. BY: JK			
CHK. BY: LFS			
DRAWING NO.: TX-4727			
SHEET 3 OF 11			



ELEVATION  
XO



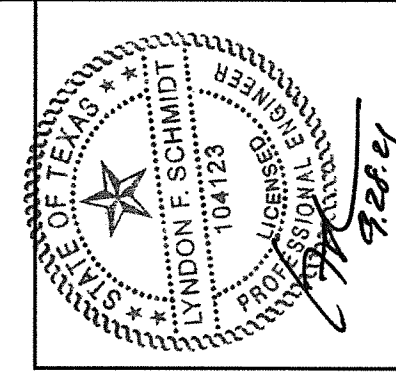
ELEVATION  
OXO



**Fiber-Classic/Smooth-Star Door Panel Options**

Panel options shown are for illustration and are representative only  
(similar opaque panel configurations are allowed)

HARDWARE TABLE	
MANUFACTURER	MODEL
HOPPE (THERMA-TRU)	MULTIPOINT : MPDGART (3 pt. Manual Tongue)



Documents Prepared By: Lyndon F. Schmidt, P.E.  
TEXAS P.E. #104123

**RW** BUILDING CONSULTANTS, INC.  
P.O. Box 230 Valrico FL 33595  
Phone No.: 813.659.9197

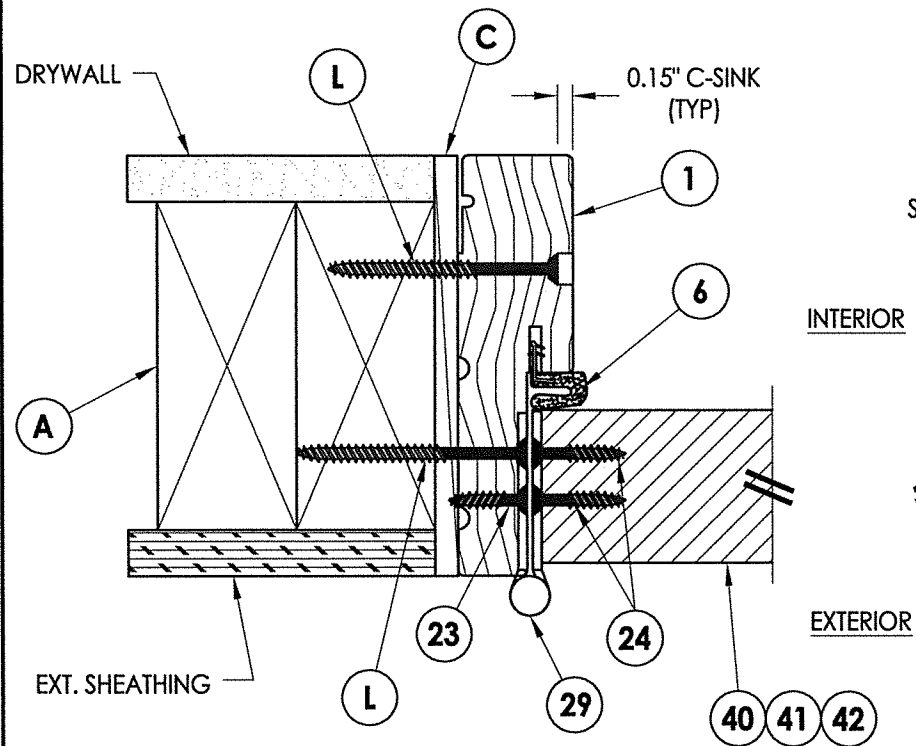
CERTIFICATE OF REGISTRATION # F-11852

PRODUCT: THERMA-TRU  
FIBERGLASS DOOR  
PART OR ASSEMBLY:  
ELEVATIONS

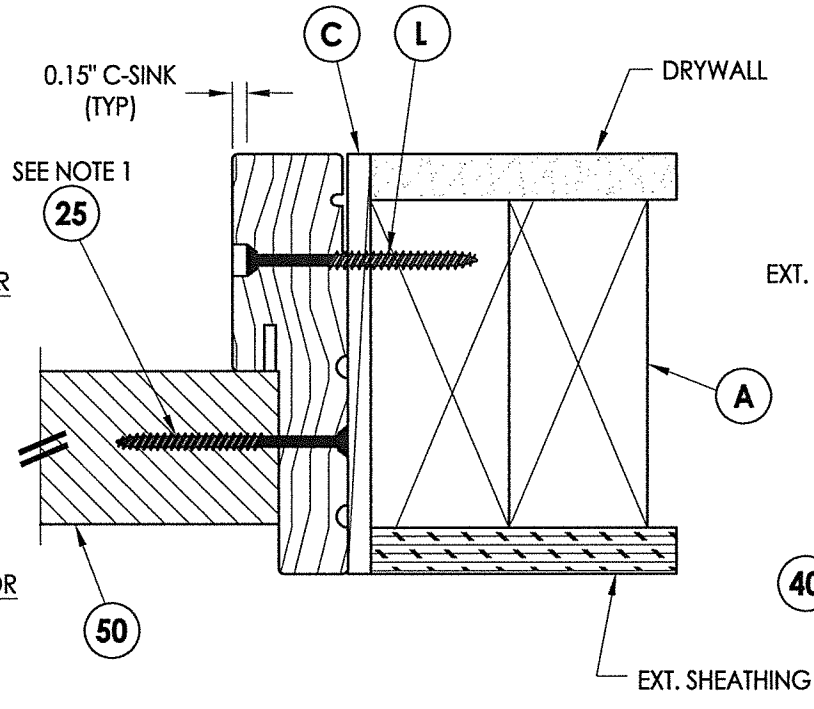
NO.	DATE	REVISIONS
1	9/28/21	UPDATE TO 2018 IBC/IRC CODE
		LFS
		BY

DATE: 11/14/17  
SCALE: N.T.S.  
DWG. BY: JK  
CHK. BY: LFS  
DRAWING NO.: TX-4727  
SHEET 4 OF 11

Z:\Clients\Therma Tru PERMANENT\B - Texas Dept of Ins\TDI - DR 947 - 68 & 80 Opaque Comp Edge Non-Impact (TX 4716 - 4727)\C - Drawings\TX-4726-27.dwg



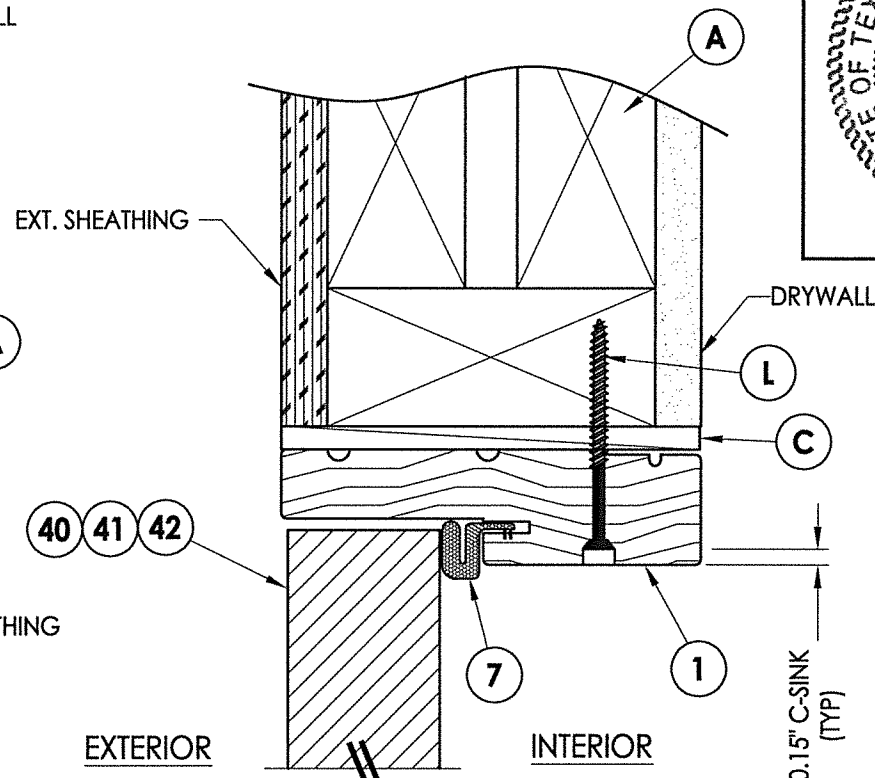
**1** **HORIZONTAL CROSS SECTION**  
**5** Shown w/ 2X Buck  
 Outswing shown (Inswing similar)



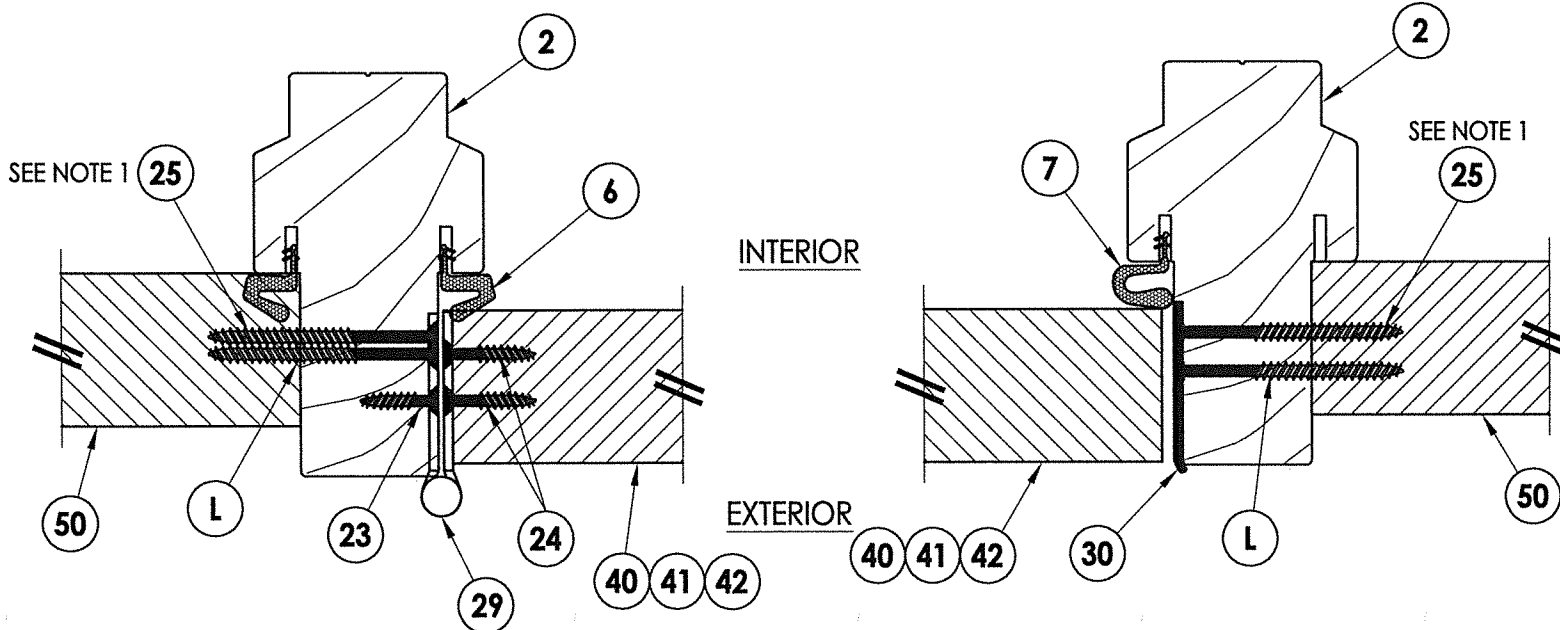
**2** **HORIZONTAL CROSS SECTION**  
**5** Shown w/ 2X Buck  
 Outswing shown (Inswing similar)

**Notes:**

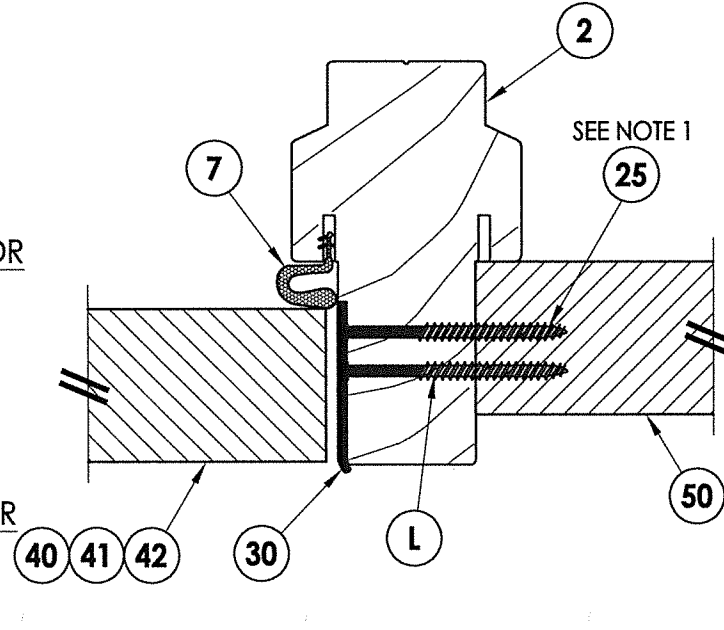
- Sidelite assembly screws located 6" from each end and then 6 more equally spaced (8 total along jamb/mullion).
- Sidelite assembly screws located 4" from each end (2 screws along head jamb).



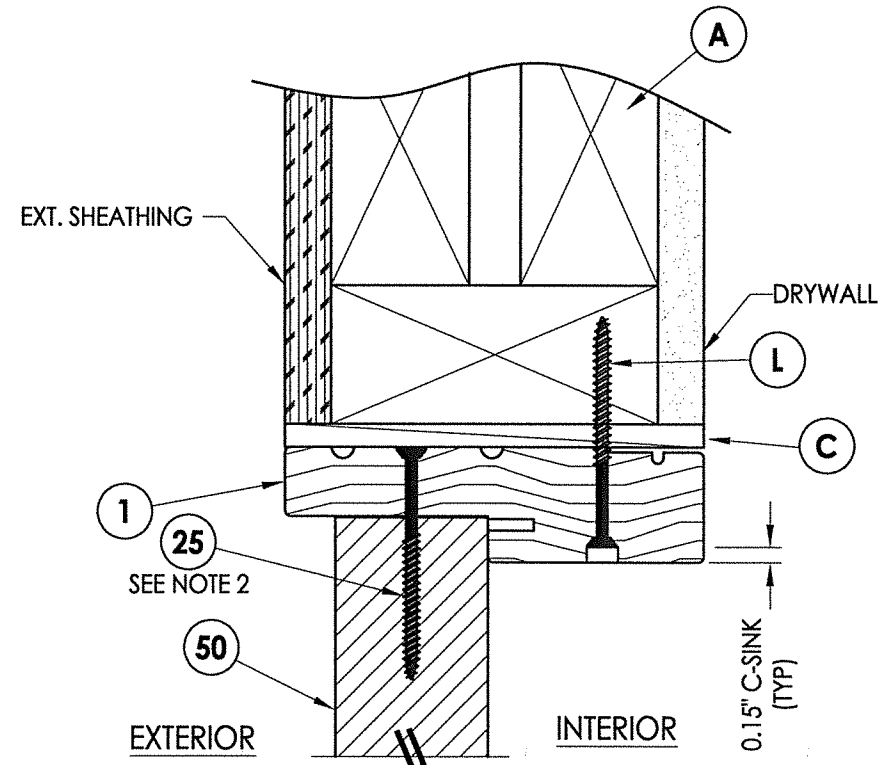
**3** **VERTICAL CROSS SECTION**  
**5** Shown w/ 2X Buck  
 Outswing shown (Inswing similar)



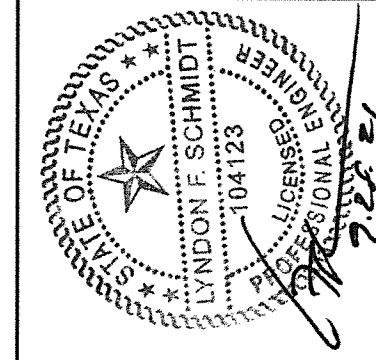
**5** **HORIZONTAL CROSS SECTION**  
**5** Outswing shown (Inswing similar)



**6** **HORIZONTAL CROSS SECTION**  
**5** Outswing shown (Inswing similar)



**4** **VERTICAL CROSS SECTION**  
**5** Shown w/ 2X Buck  
 Outswing shown (Inswing similar)



Documents Prepared By: Lyndon F. Schmidt, P.E.  
 TEXAS P.E. #104123

**RW** BUILDING CONSULTANTS, INC.  
 P.O. Box 230 Valrico FL 33595  
 Phone No.: 813.659.9197

CERTIFICATE OF REGISTRATION # F-11852

PRODUCT:	THERMA-TRU FIBERGLASS DOOR
PART OR ASSEMBLY:	HORIZONTAL & VERTICAL CROSS SECTIONS

NO.	DATE	BY
1	9/28/21	LFS
UPDATE TO 2018 IBC/IRC CODE		

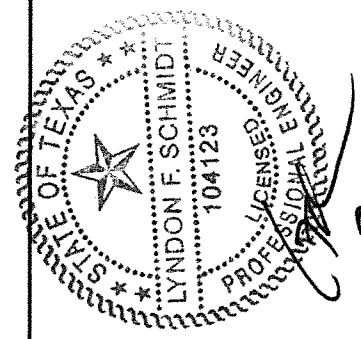
DATE:	11/14/17
SCALE:	N.T.S.
DWG. BY:	JK
CHK. BY:	LFS
DRAWING NO.:	TX-4727
SHEET	5 OF 11

© 2017 R.W. BUILDING CONSULTANTS INC.

Z:\Clients\Therma Tru PERMANENT\B - Texas Dept of Ins\TDI - DR 947 - 68 & 80 Opaque Comp Edge Non-Impact (TX 4716 - 4727)\C - Drawings\TX-4726-27.dwg

**Notes:**

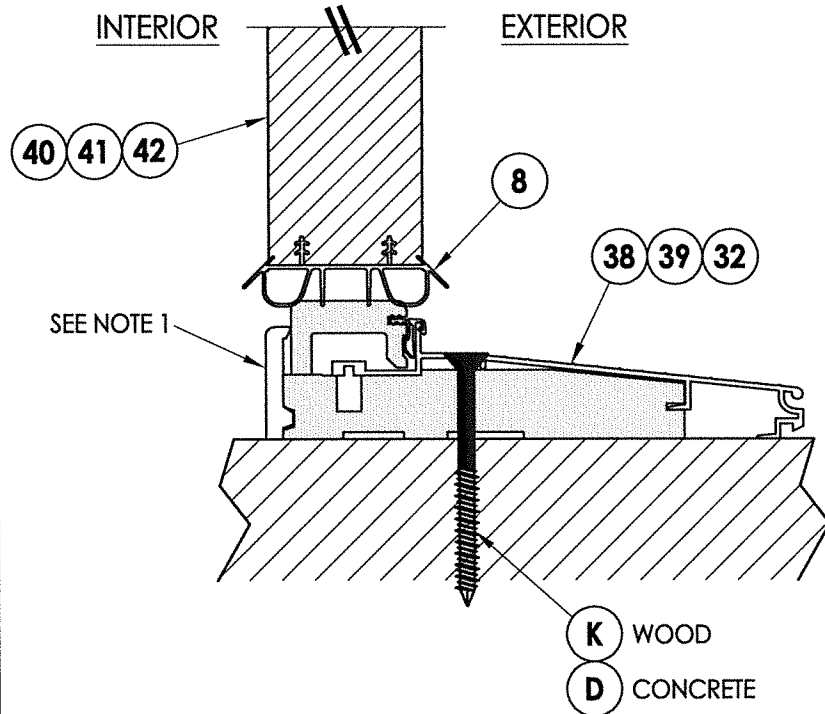
- Sill Item #'s 16, 32, 34, 35, 36, 37, 38 & 39 are attached to jambs w/ (3) #8 X 2-1/2" pfh screws at each end.  
Sill Item #'s 17 & 18 are attached to jambs w/ (2) #8 X 2-1/2" pfh screws at each end.  
Sill Item #15 is attached to jambs utilizing (2) #10 X 2" pph screws at each end.
- Sidelite assembly screws located 4" from each end (2 screws along sill).



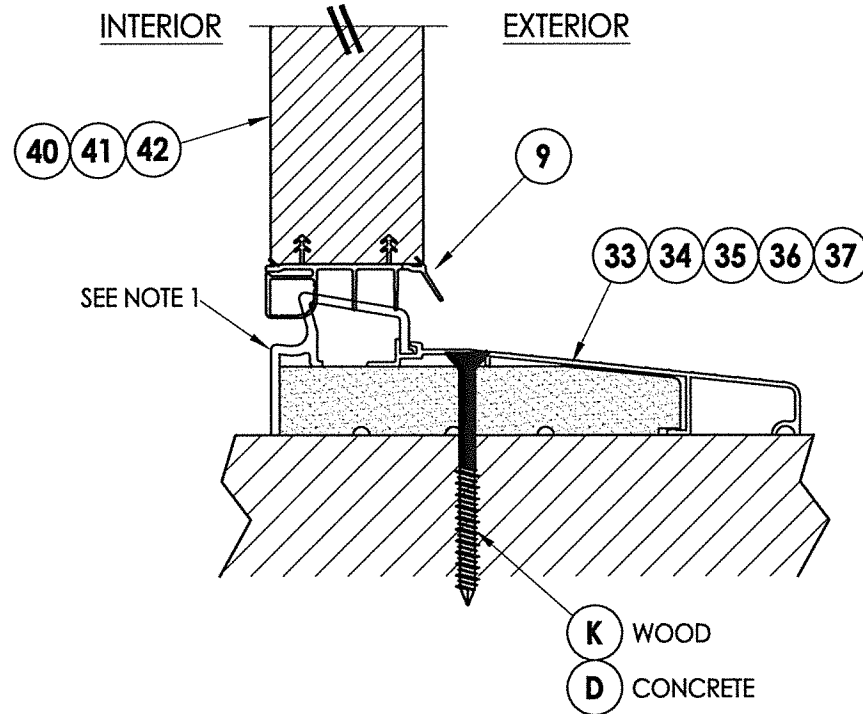
Documents Prepared By: Lyndon F. Schmidt, P.E.  
TEXAS P.E. #104123

RW BUILDING CONSULTANTS, INC.  
P.O. Box 230 Valrico FL 33595  
Phone No.: 813.659.9197

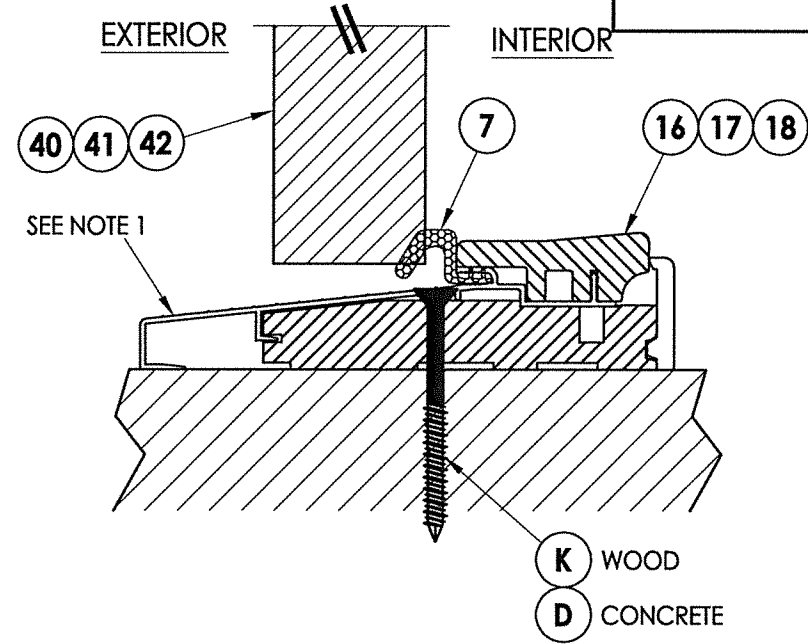
CERTIFICATE OF REGISTRATION # F-11852



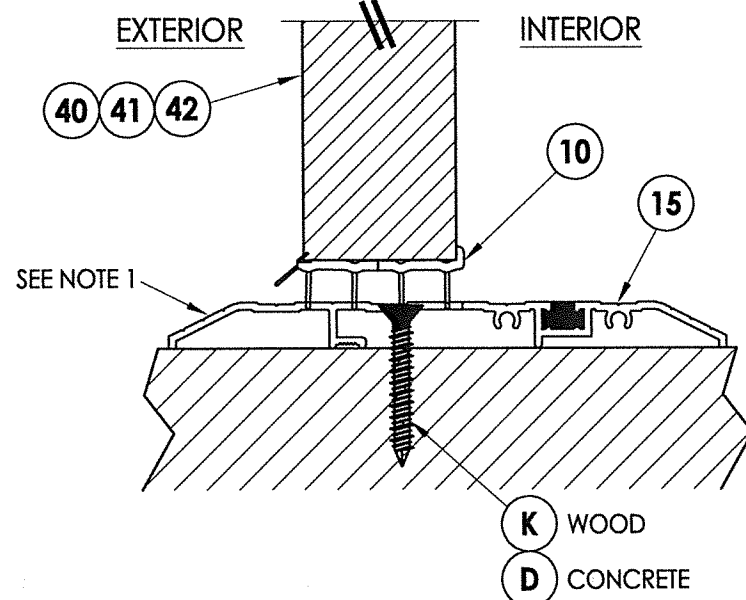
**1 VERTICAL CROSS SECTION**  
6 Inswing Sill



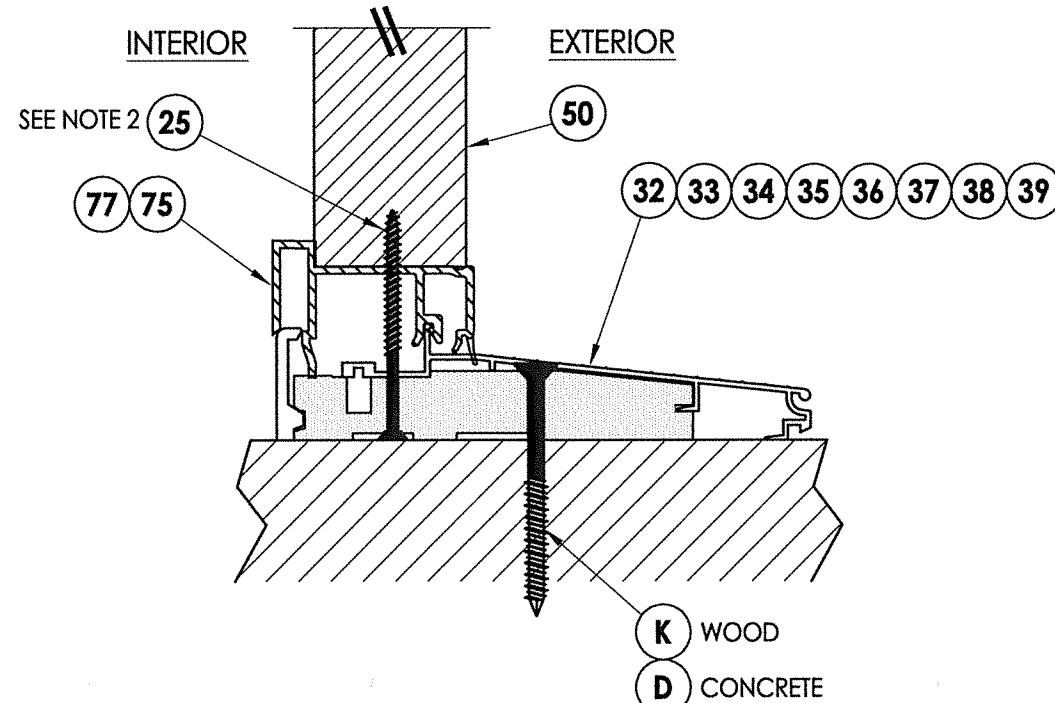
**2 VERTICAL CROSS SECTION**  
6 Inswing Sill



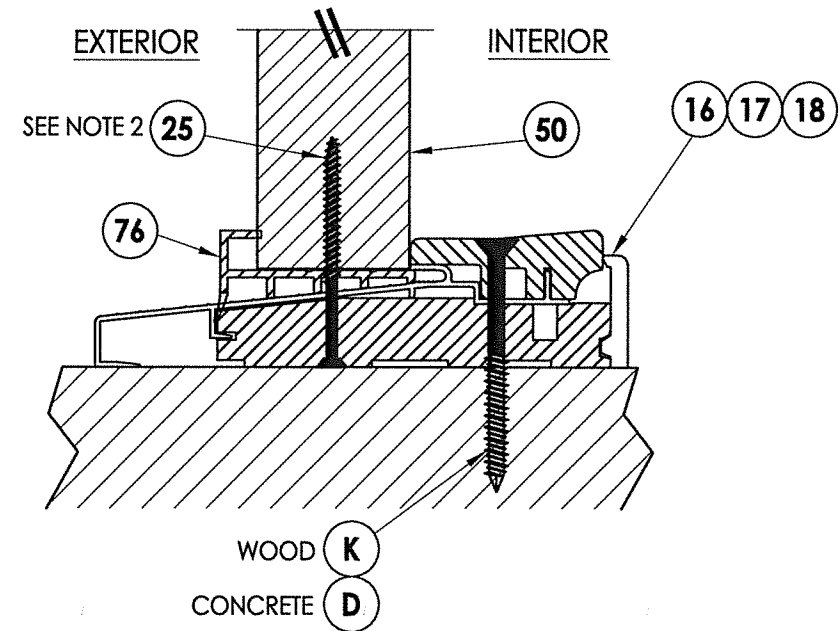
**3 VERTICAL CROSS SECTION**  
6 Outswing Sill



**4 VERTICAL CROSS SECTION**  
6 Public Access Sill



**5 VERTICAL CROSS SECTION**  
6 Inswing Sill



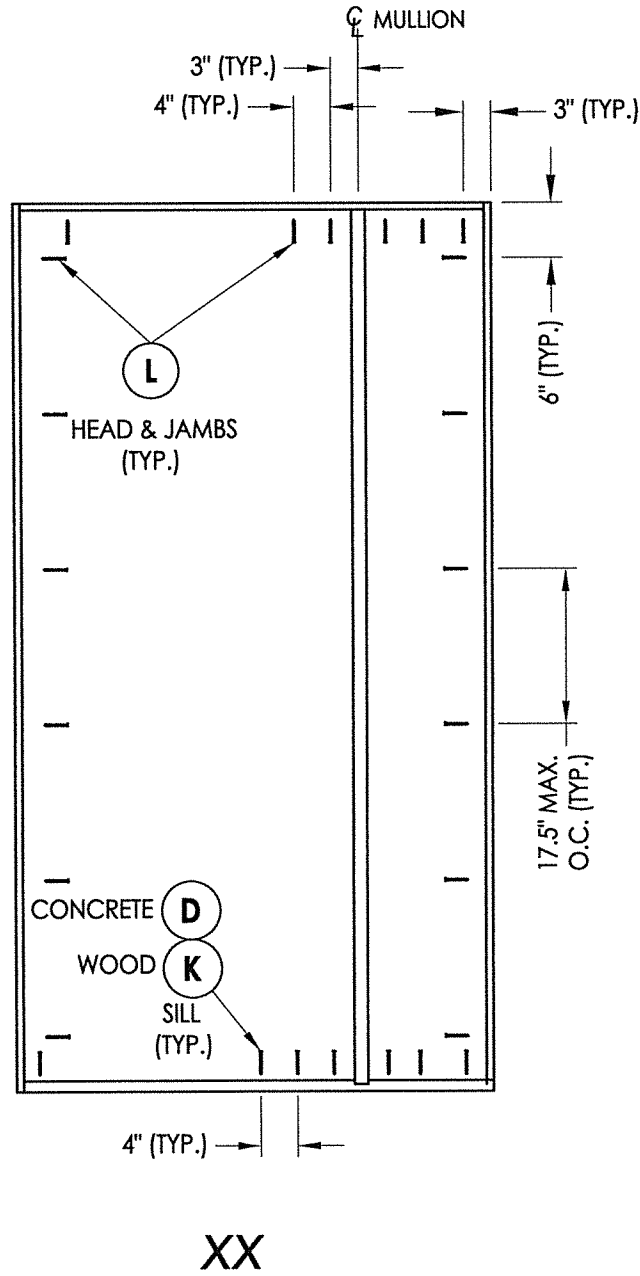
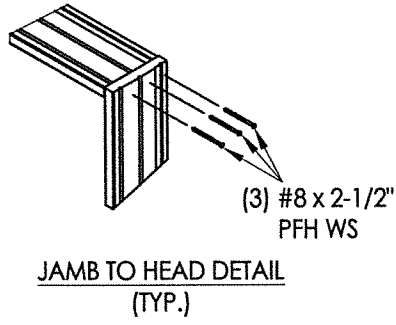
**6 VERTICAL CROSS SECTION**  
6 Outswing Sill

PRODUCT: THERMA-TRU FIBERGLASS DOOR  
PART OR ASSEMBLY: VERTICAL CROSS SECTIONS (THRESHOLDS)

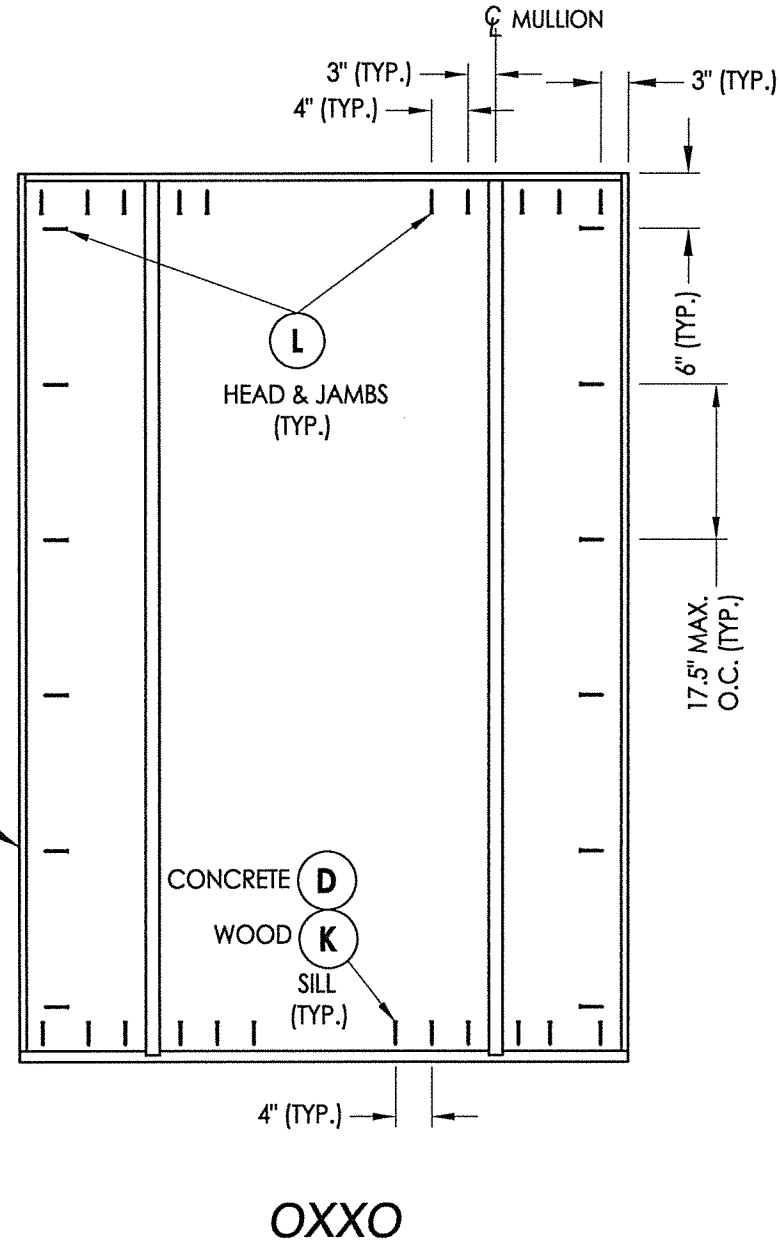
NO.	DATE	BY
1	9/28/21	LFS

DATE: 11/14/17  
SCALE: N.T.S.  
DWG. BY: JK  
CHK. BY: LFS  
DRAWING NO.: TX-4727  
SHEET 6 OF 11

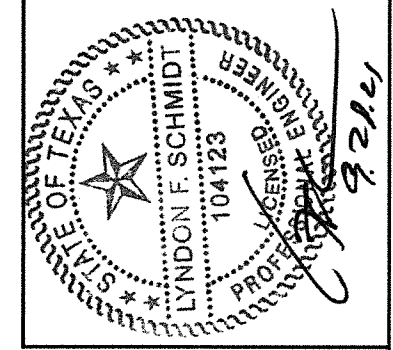
Z:\Clients\Therma Tru PERMANENT\B - Texas Dept of Ins\TDI - DR 947 - 6'8 & 8'0 Opaque Comp Edge Non-Impact (TX 4716 - 4727)\C - Drawings\TX-4726-27.dwg



FRAME (TYP.)



**FRAME ANCHORING**

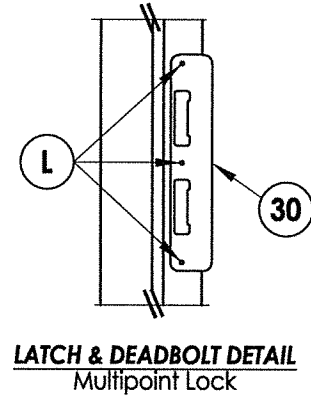
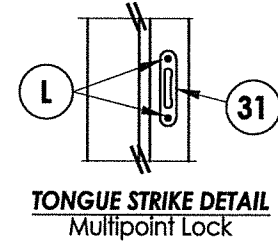
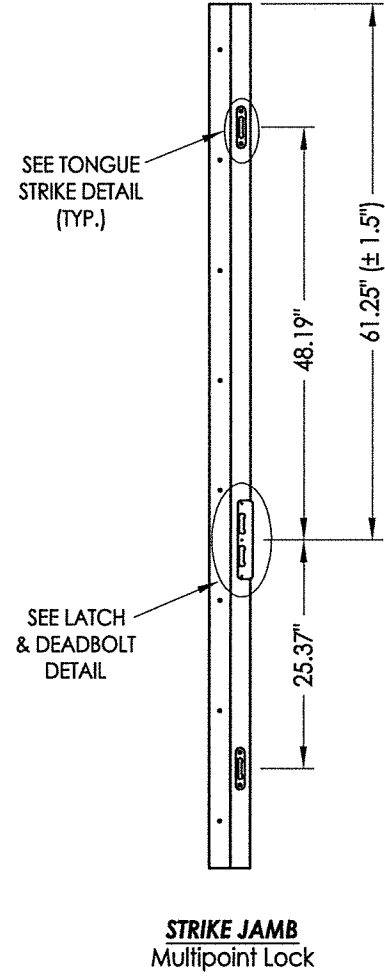
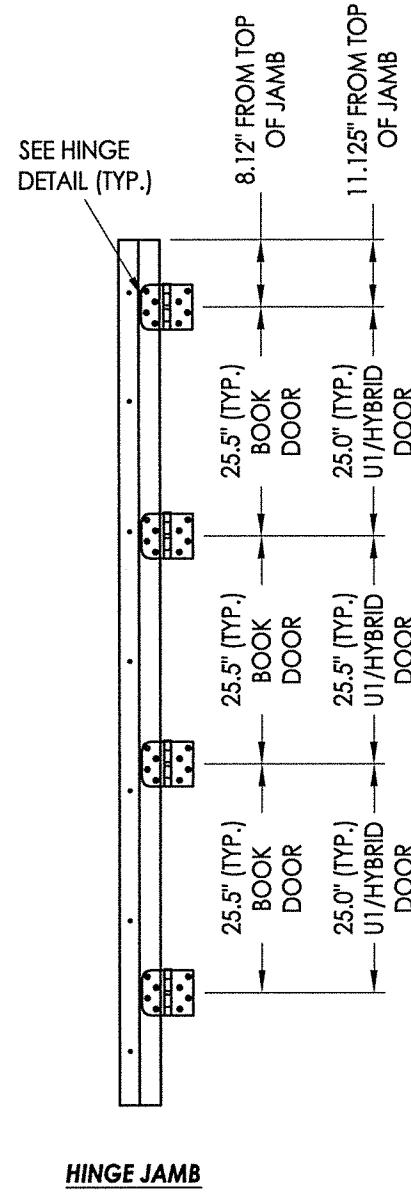
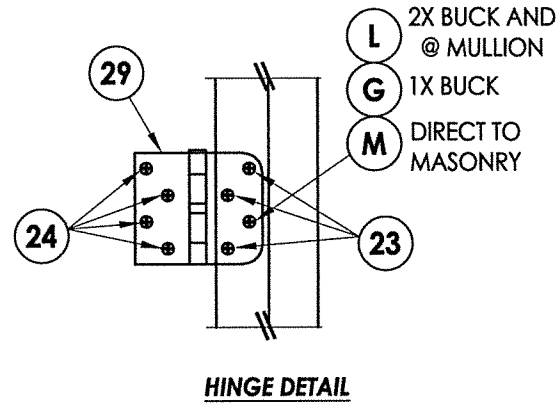


Documents Prepared By: Lyndon F. Schmidt, P.E.  
TEXAS P.E. #104123

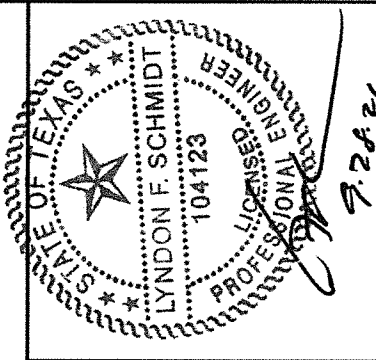
**RW** BUILDING CONSULTANTS, INC.  
P.O. Box 230 Valrico FL, 33595  
Phone No.: 813.659.9197

CERTIFICATE OF REGISTRATION # F-11852

PRODUCT:		THERMA-TRU FIBERGLASS DOOR	
PART OR ASSEMBLY:		FRAME ANCHORING	
NO.	DATE	BY	REVISIONS
1	9/28/21	LFS	UPDATE TO 2018 IBC/IRC CODE
DATE: 11/14/17		SCALE: N.T.S.	
DWG. BY: JK		CHK. BY: LFS	
DRAWING NO.: TX-4727		SHEET 7 OF 11	



**MULTIPOINT LOCK STRIKE DETAILS**



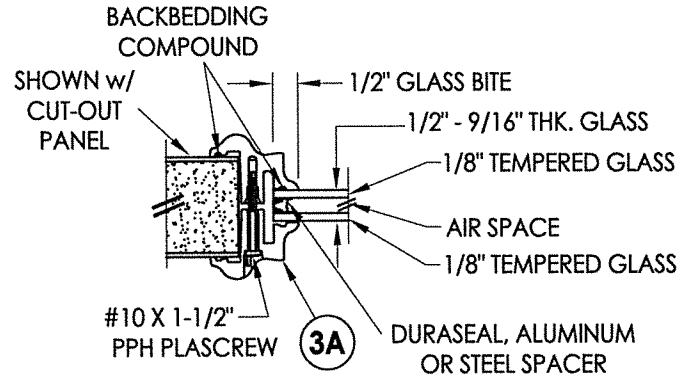
Documents Prepared By: Lyndon F. Schmidt, P.E.  
TEXAS P.E. #104123

**RW** BUILDING CONSULTANTS, INC.  
P.O. Box 230 Valrico FL 33595  
Phone No.: 813.659.9197

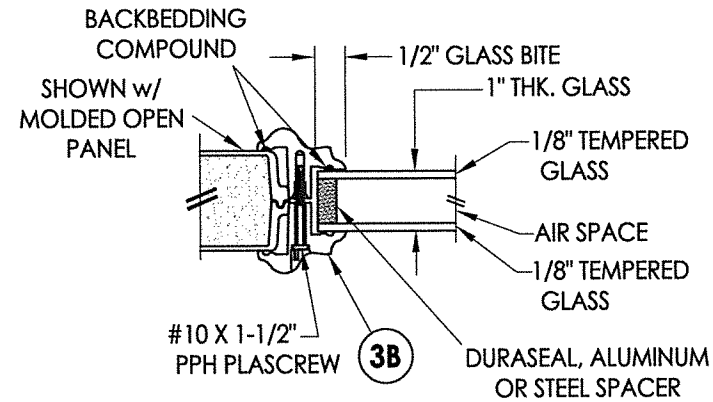
CERTIFICATE OF REGISTRATION # F-11852

PRODUCT: THERMA-TRU FIBERGLASS DOOR	
PART OR ASSEMBLY: HARDWARE DETAILS	
NO.	DATE
1	9/28/21
UPDATE TO 2018 IBC/IRC CODE	
LFS	BY
REVISIONS	
DATE: 11/14/17	
SCALE: N.T.S.	
DWG. BY: JK	
CHK. BY: LFS	
DRAWING NO.: TX-4727	
SHEET 8 OF 11	

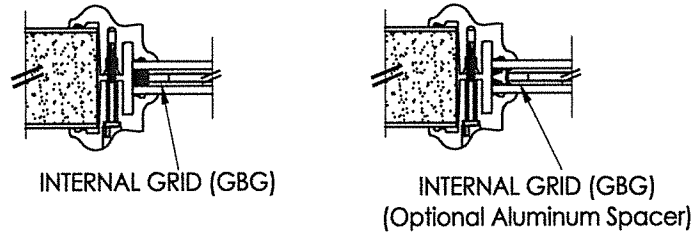




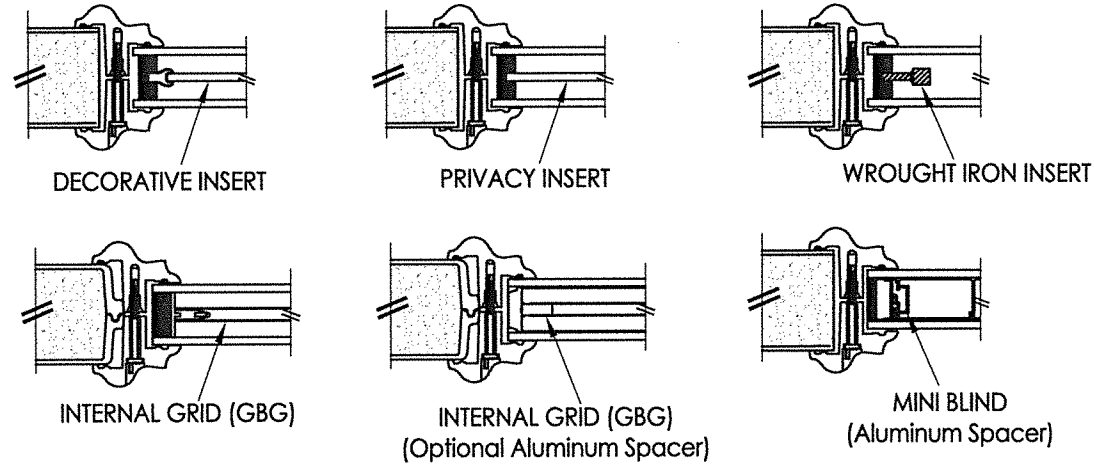
**G1 GLAZING DETAIL**  
BTS Lite Frame  
Sidelites



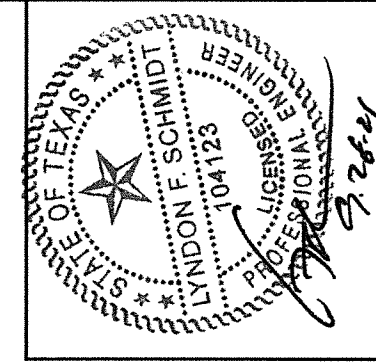
**G2 GLAZING DETAIL**  
BTS Lite Frame  
Sidelites



**9/16" INSULATED GLASS INSERT OPTIONS**



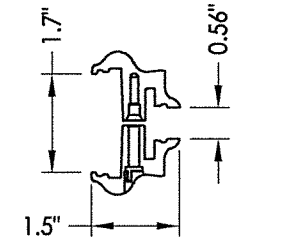
**1" INSULATED GLASS INSERT OPTIONS**



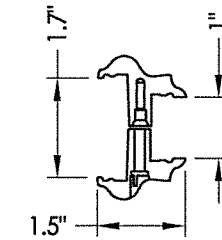
Documents Prepared By: Lyndon F. Schmidt, P.E.  
TEXAS P.E. #104123

**RW** BUILDING CONSULTANTS, INC.  
P.O. Box 230 Valrico FL 33595  
Phone No.: 813.659.9197

CERTIFICATE OF REGISTRATION # F-11852

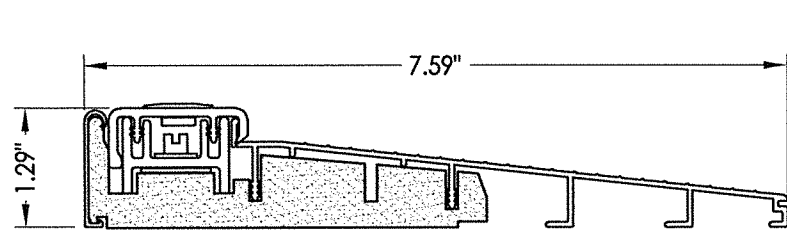


**3A BTS LITE FRAME**  
1/2" & 9/16" Glazing

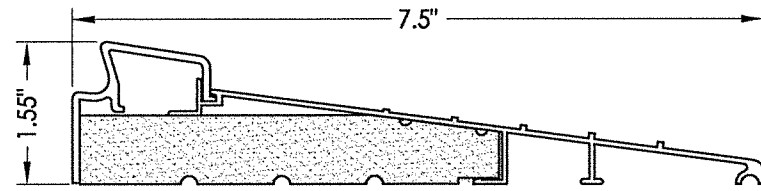


**3B BTS LITE FRAME**  
1" Glazing

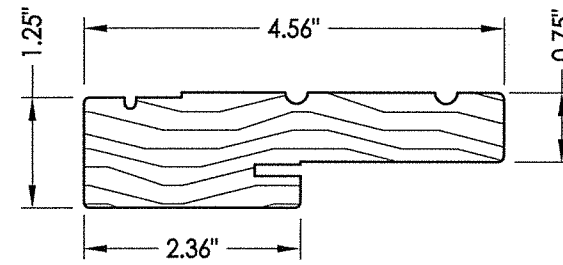
PRODUCT:		THERMA-TRU FIBERGLASS DOOR	
PART OR ASSEMBLY:		GLAZING DETAILS	
NO.	DATE	UPDATE TO 2018 IBC/IRC CODE	LFS BY
1	9/28/21		
REVISIONS			
DATE: 11/14/17			
SCALE: N.T.S.			
DWG. BY: JK			
CHK. BY: LFS			
DRAWING NO.: TX-4727			
SHEET 9 of 11			



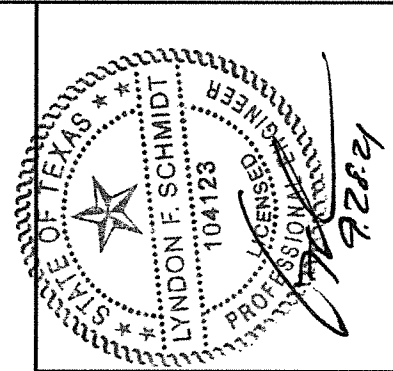
**32 INSWING THRESHOLD**  
Inswing Basic Composite Adjustable Sill 7-1/2"



**37 INSWING THRESHOLD**  
Inswing Basic Fixed 7-1/2" Sill



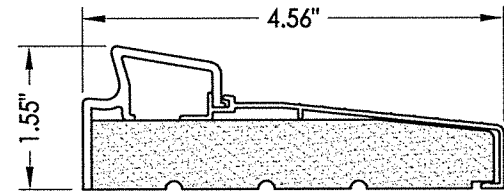
**1 WOOD JAMB**



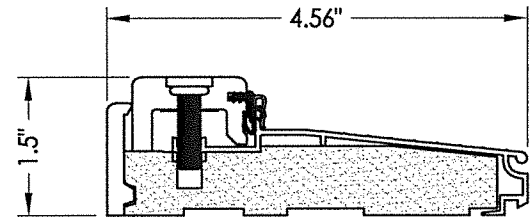
Documents Prepared By: Lyndon F. Schmidt, P.E.  
TEXAS P.E. #104123

**RW** BUILDING CONSULTANTS, INC.  
P.O. Box 230 Valrico FL 33595  
Phone No.: 813.659.9197

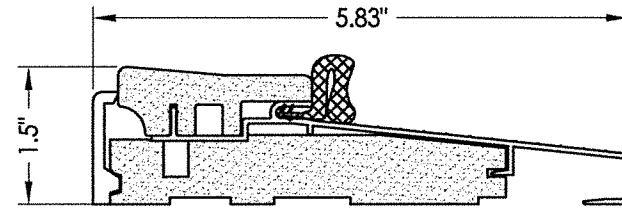
CERTIFICATE OF REGISTRATION # F-11852



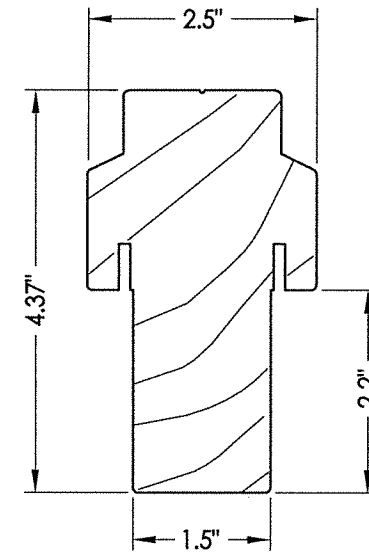
**33 INSWING THRESHOLD**  
Inswing Basic Fixed Sill



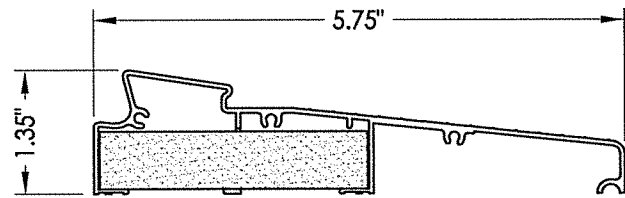
**38 INSWING THRESHOLD**  
Inswing Composite Adjustable Sill



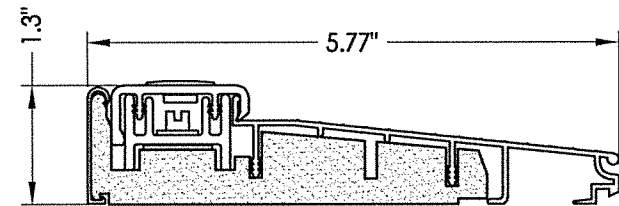
**16 OUTSWING THRESHOLD**  
Composite Sill



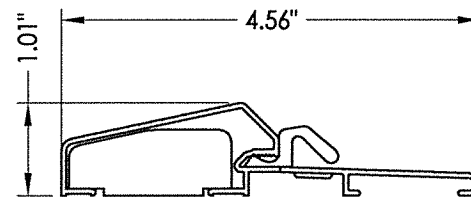
**2 INTEGRAL MULLION**



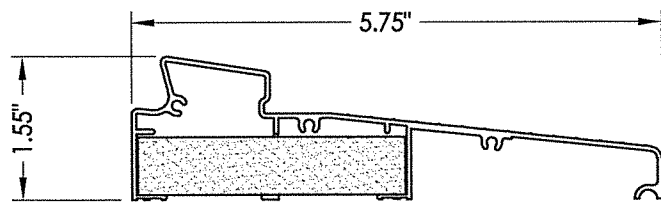
**34 INSWING THRESHOLD**  
Inswing Moderate Climate Sill 1-3/8"



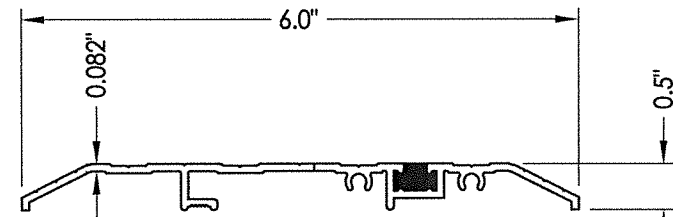
**39 INSWING THRESHOLD**  
Inswing Basic Composite Adjustable Sill



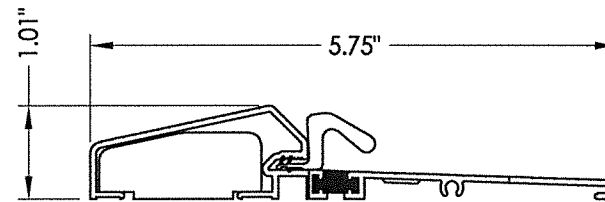
**17 OUTSWING THRESHOLD**  
Composite / Aluminum Sill



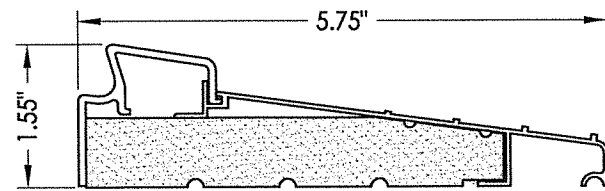
**35 INSWING THRESHOLD**  
Inswing Moderate Climate Sill



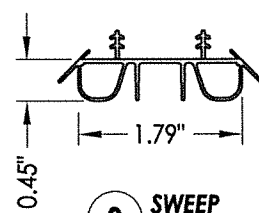
**15 PUBLIC ACCESS THRESHOLD**



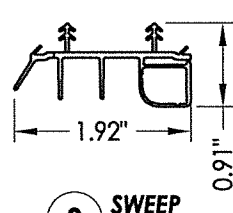
**18 OUTSWING THRESHOLD**  
Composite / Aluminum Sill  
(Thermal Break)



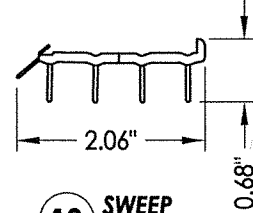
**36 INSWING THRESHOLD**  
Inswing Basic Fixed 5-3/4" Sill



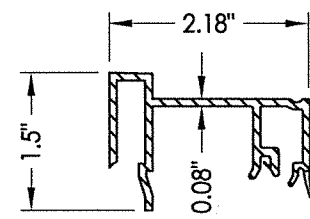
**8 SWEEP**



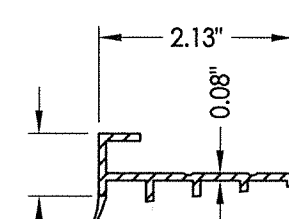
**9 SWEEP**



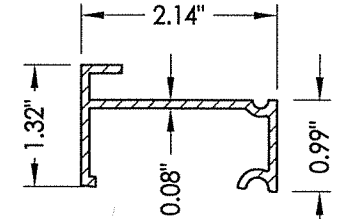
**10 SWEEP**



**75 SIDELITE SPACER**  
Inswing



**76 SIDELITE SPACER**  
Outswing



**77 SIDELITE SPACER**  
Inswing  
Moderate Climate Threshold

PRODUCT:	Therma-TRU FIBERGLASS DOOR	
PART OR ASSEMBLY:	COMPONENTS	
NO.	DATE	REVISIONS
1	9/28/21	UPDATE TO 2018 IBC/IRC CODE
		LFS
		BY
DATE:	11/14/17	
SCALE:	N.T.S.	
DWG. BY:	JK	
CHK. BY:	LFS	
DRAWING NO.:	TX-4727	
SHEET	10	OF 11

