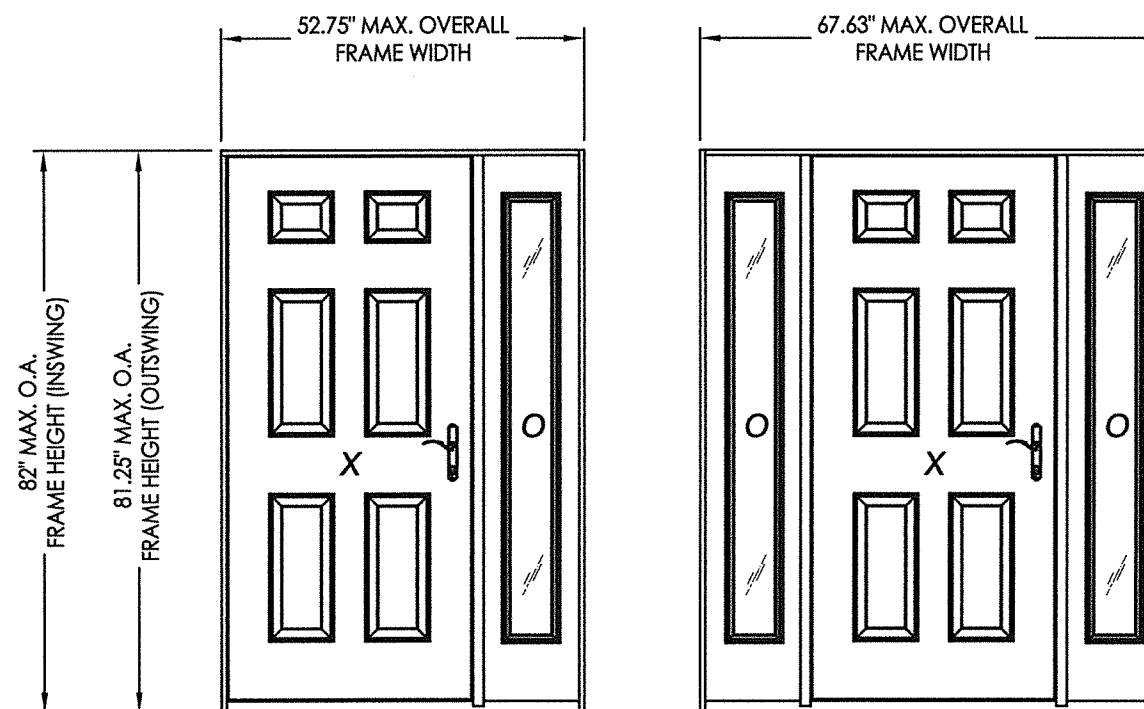


# THERMA-TRU<sup>®</sup> DOORS

Fiber-Classic<sup>®</sup> & Smooth-Star<sup>®</sup>

## COMPOSITE EDGE OPAQUE FIBERGLASS SINGLE DOOR w/ SIDELITE(S) IN SWING/OUT SWING "NON-IMPACT"



EVALUATED FOR USE IN THE STATE OF TEXAS

TDI DR-947

The Fiberglass Door system described herein complies with the 2018 International Residential Code (IRC), Sections R301 & R609 and the 2018 International Building Code (IBC), Sections 1404.13, 1609, 1709.5, 2403 and 2404 subject to the following conditions:

1. Anchors shall be as listed and spaced as shown in the details. Anchor embedment to base material shall be beyond wall dressing or stucco.
2. When used in areas requiring wind-borne debris protection this product is required to be protected with an impact resistant covering that complies with Section R301.2.1.2 of the IRC and Section 1609.1.2 of the IBC.
3. Allowable design pressure requirements must be equal to or less than the design pressure rating shown in the design pressure chart, sheet 1 of this drawing.
4. Conditions not covered by this drawing are subject to further engineering analysis.
5. Fiber-Classic and Smooth-Star Door and Sidelite panels require the use of "J" part numbers. These door and sidelite panels must be stained or painted within six months of installation.

### TABLE OF CONTENTS

SHEET #	DESCRIPTION
1	Typical Elevations, Design Pressures & General Notes
2	Door Panel Details
3	Sidelite Panel Details
4	Elevations
5	Horizontal & Vertical Cross Sections
6	Vertical Cross Sections (Thresholds)
7	Frame Anchoring
8	Hardware Details
9	Glazing Details
10	Components
11	Bill of Materials

### CONTINUOUS HEAD & SILL

CONFIGURATION	DESIGN PRESSURE (PSF) INSWING		DESIGN PRESSURE (PSF) OUTSWING	
	POSITIVE	NEGATIVE	POSITIVE	NEGATIVE
XO, OX, OXO	+70.0	-70.0	+70.0	-70.0

See Sheet 4 for Hardware Specifications



Documents Prepared By: Lyndon F. Schmidt, P.E.  
TEXAS P.E. #104123

RW BUILDING CONSULTANTS, INC.  
P.O. Box 230 Valrico FL 33595  
Phone No.: 813.659.9197

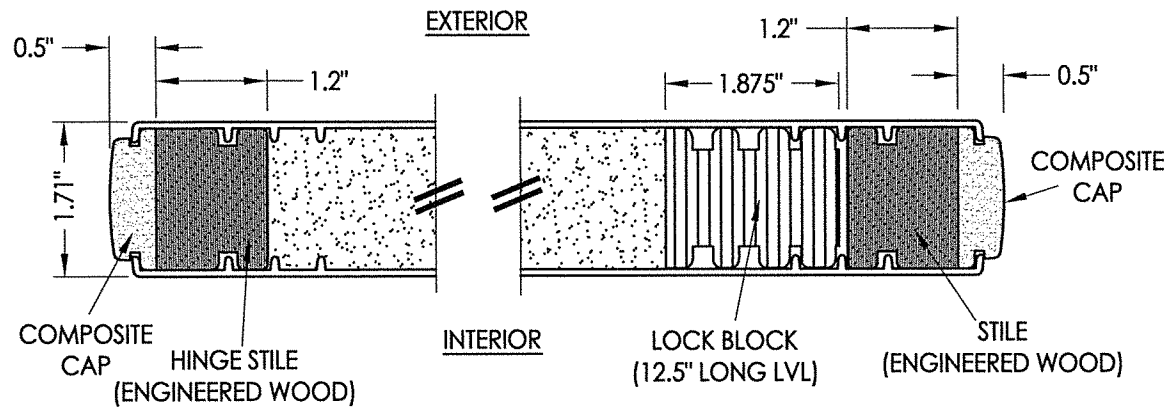
CERTIFICATE OF REGISTRATION # F-11852

PRODUCT: THERMA-TRU  
FIBERGLASS DOOR  
PART OR ASSEMBLY:  
TYPICAL ELEVATION, DESIGN  
PRESSURES & GENERAL NOTES

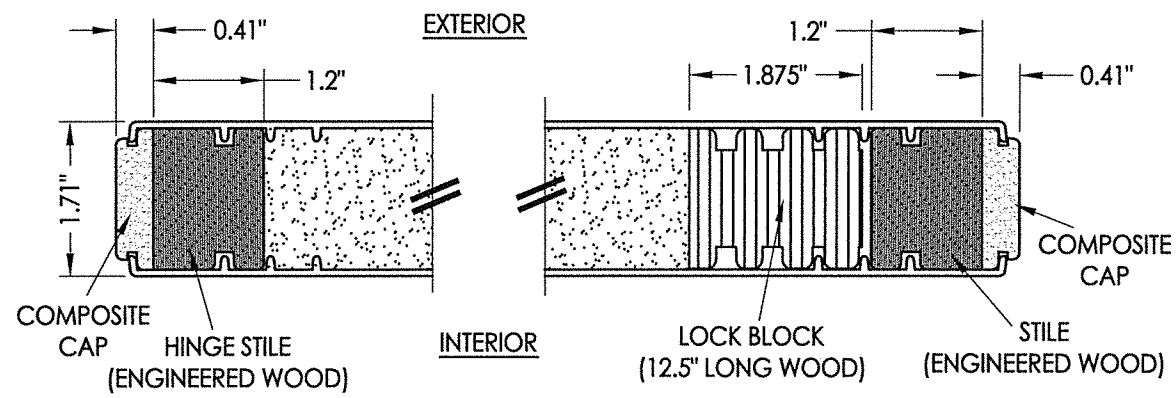
NO.	DATE	REVISIONS	BY
1	9/28/21	UPDATE TO 2018 IBC/IRC CODE	LFS

DATE: 11/14/17  
SCALE: N.T.S.  
DWG. BY: JK  
CHK. BY: LFS  
DRAWING NO.: TX-4726  
SHEET 1 OF 11

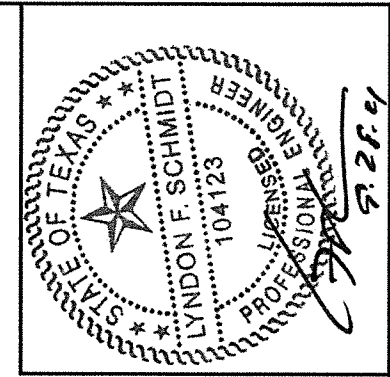
Z:\Clients\Therma Tru PERMANENT\B - Texas Dept of Ins\TDI - DR 947 - 68 & 80 Opaque Comp Edge Non-Impact (TX 4716 - 4727)\C - Drawings\TX-4726-27.dwg



**1**  
**2** HORIZONTAL CROSS SECTION



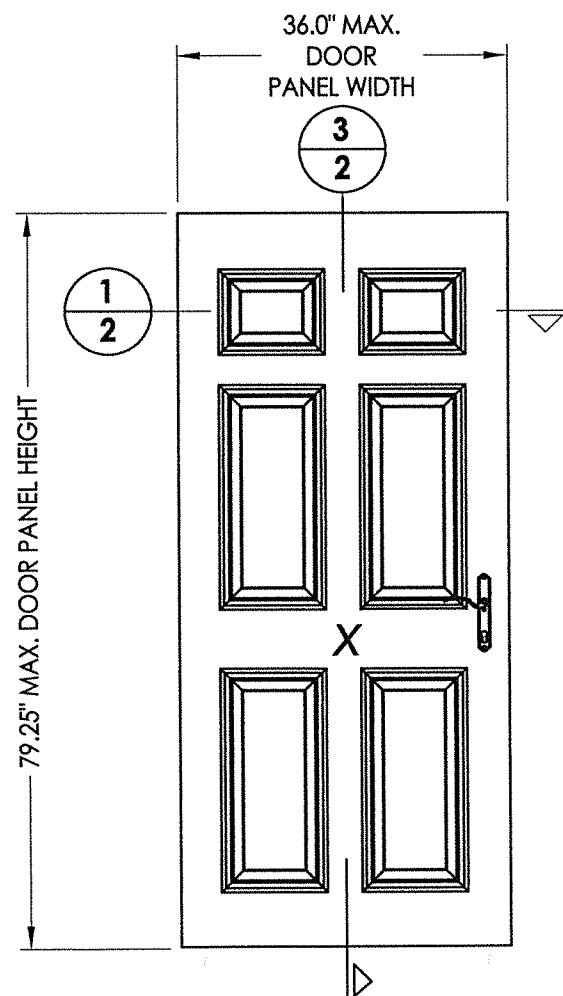
**2**  
**2** HORIZONTAL CROSS SECTION



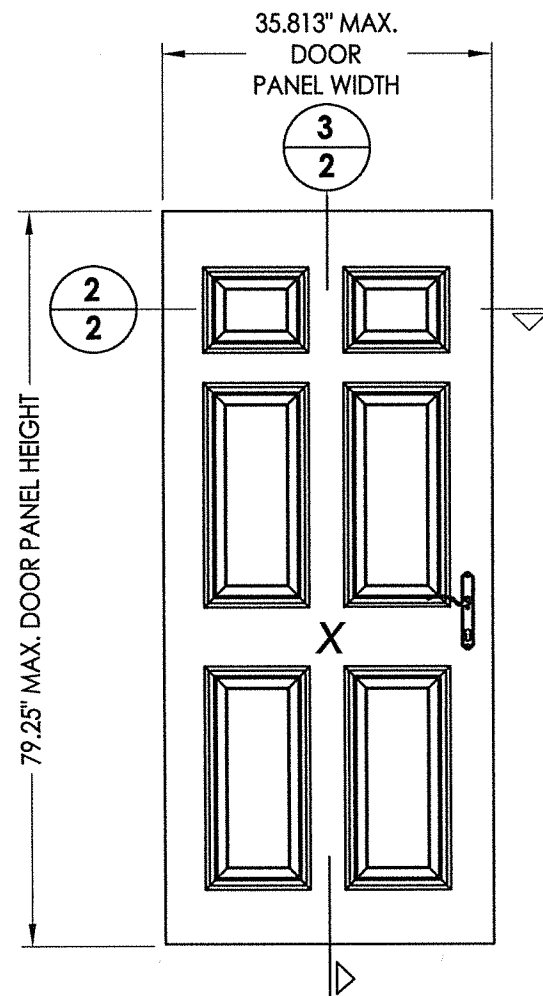
Documents Prepared By: Lyndon F. Schmidt, P.E.  
TEXAS P.E. #104123

**RW** BUILDING CONSULTANTS, INC.  
P.O. Box 230 Volrico FL 33595  
Phone No.: 813.659.9197

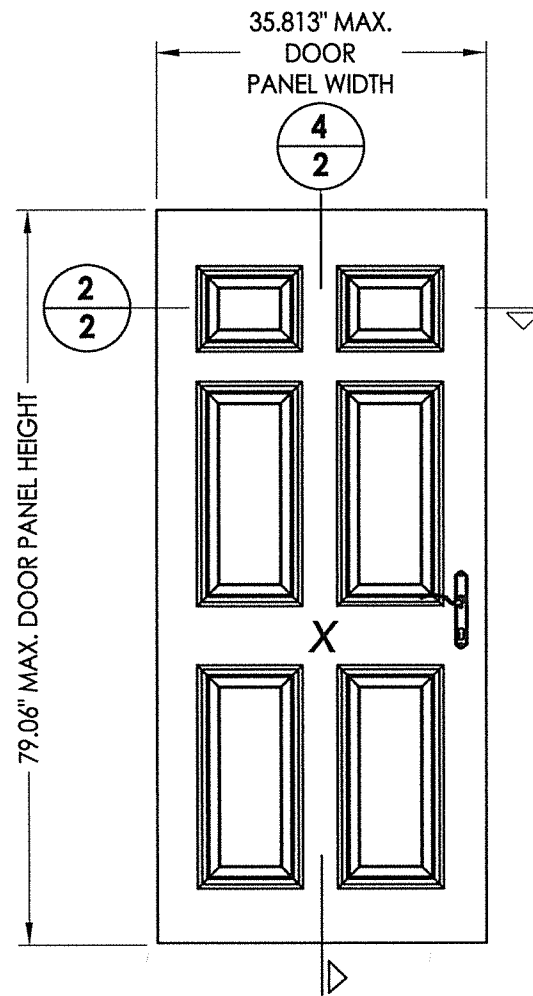
CERTIFICATE OF REGISTRATION # F-11852



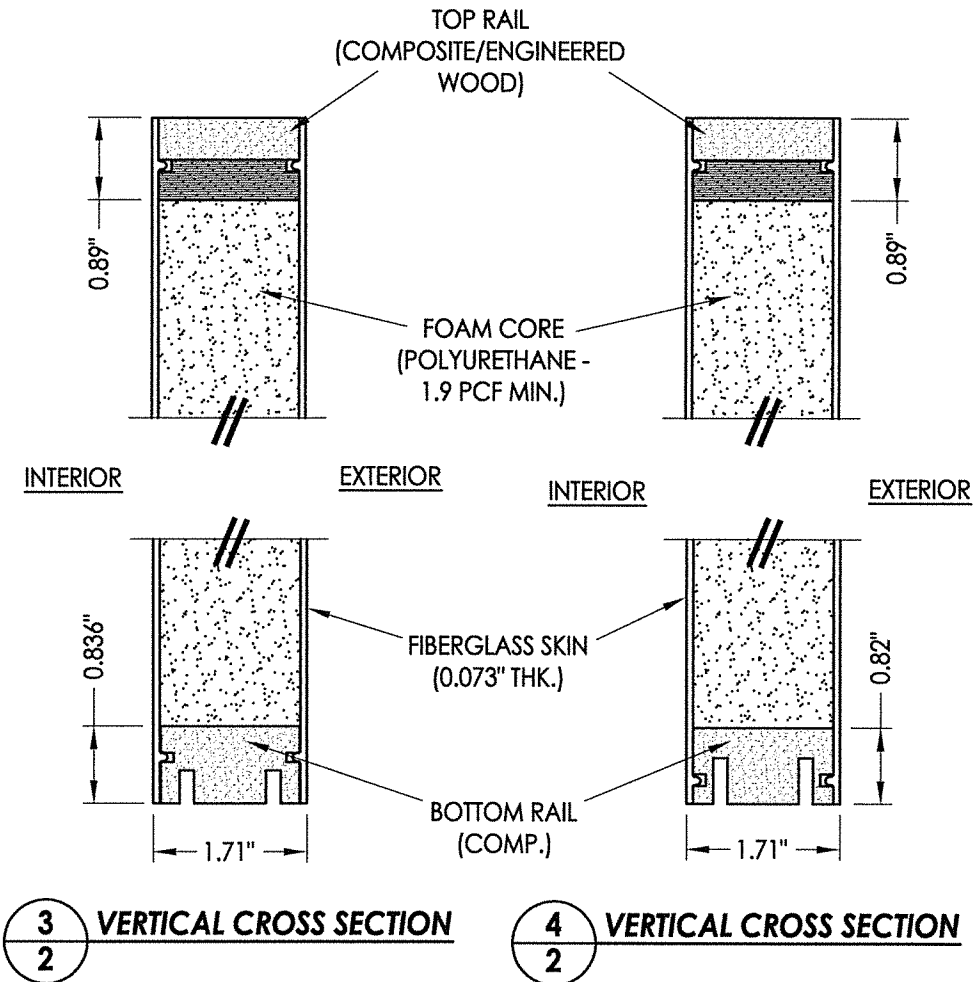
**40** DOOR PANEL BOOK



**41** DOOR PANEL Hybrid Door



**42** DOOR PANEL U1 Door



**3**  
**2** VERTICAL CROSS SECTION

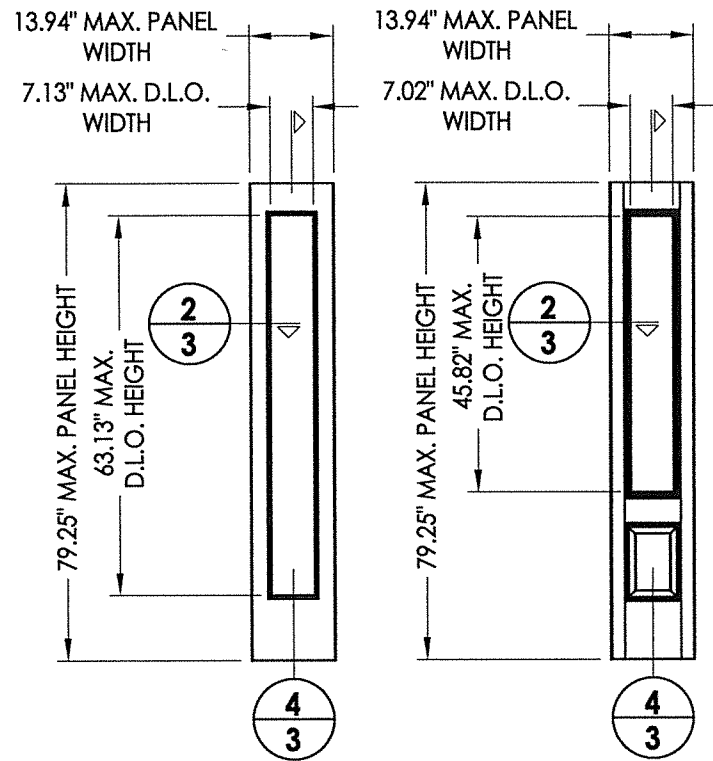
**4**  
**2** VERTICAL CROSS SECTION

PRODUCT: THERMA-TRU FIBERGLASS DOOR  
PART OR ASSEMBLY: DOOR PANEL DETAILS

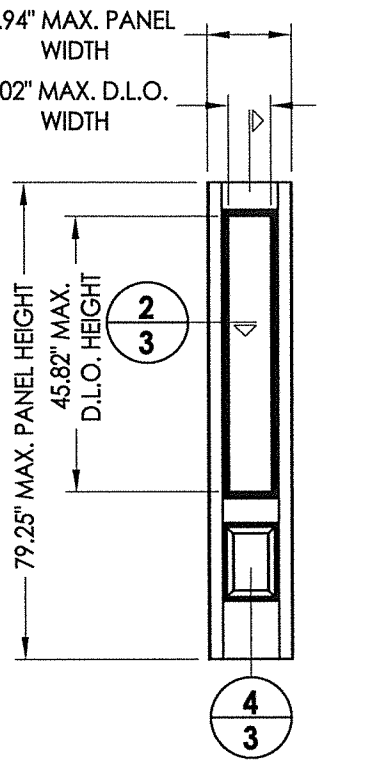
NO.	DATE	BY
1	9/28/21	LFS

DATE: 11/14/17  
SCALE: N.T.S.  
DWG. BY: JK  
CHK. BY: LFS  
DRAWING NO.: TX-4726  
SHEET 2 OF 11

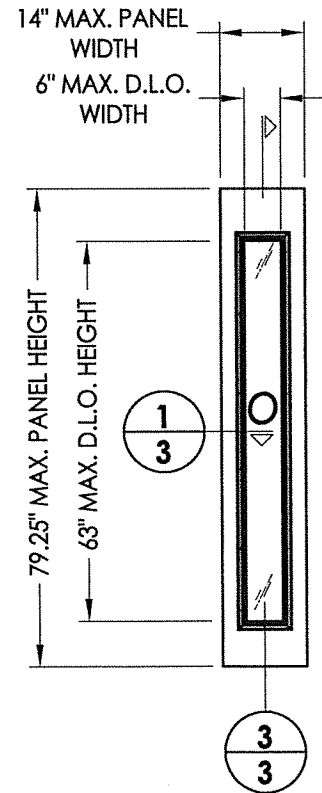
© 2017 R.W. BUILDING CONSULTANTS INC.



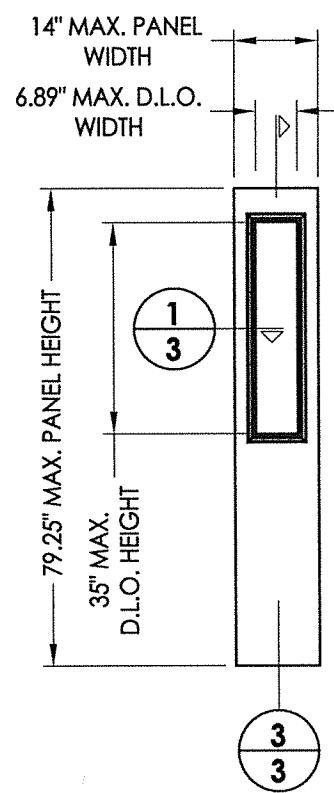
**60 SIDELITE PANEL**  
Full Lite  
Flush Glazed



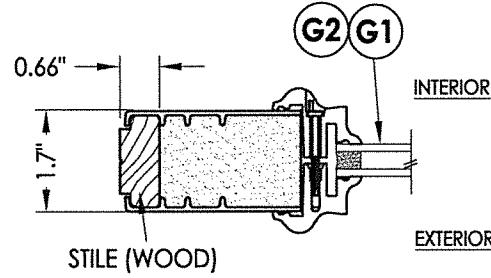
**60 SIDELITE PANEL**  
3/4 Lite  
Flush Glazed



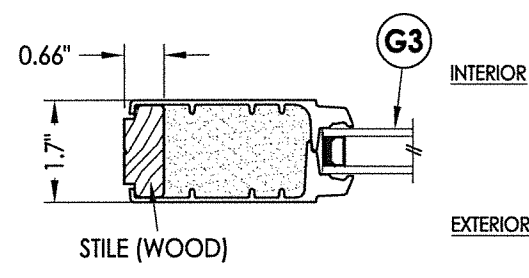
**50 SIDELITE PANEL**  
Full Lite  
Lip Lite



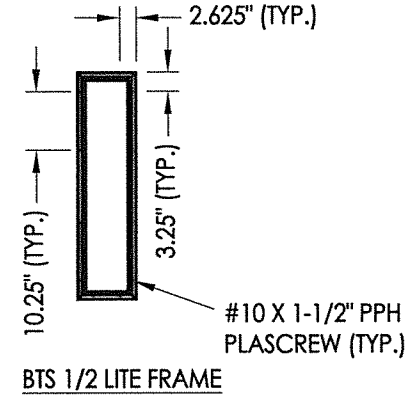
**50 SIDELITE PANEL**  
Half Lite  
Lip Lite



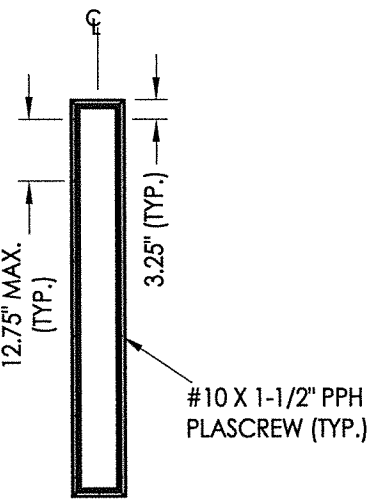
**1 HORIZONTAL CROSS SECTION**  
3 Lip Lite Glazing



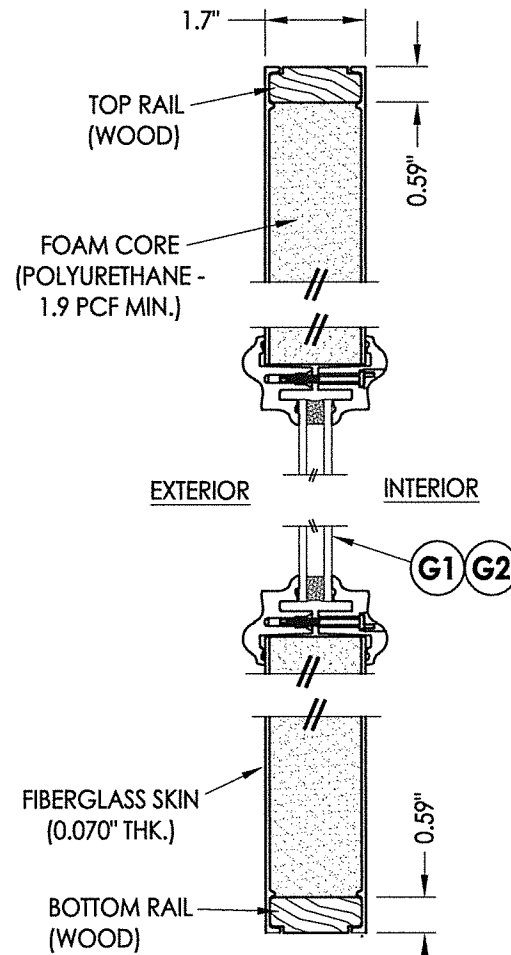
**2 HORIZONTAL CROSS SECTION**  
3 Flush Glazing



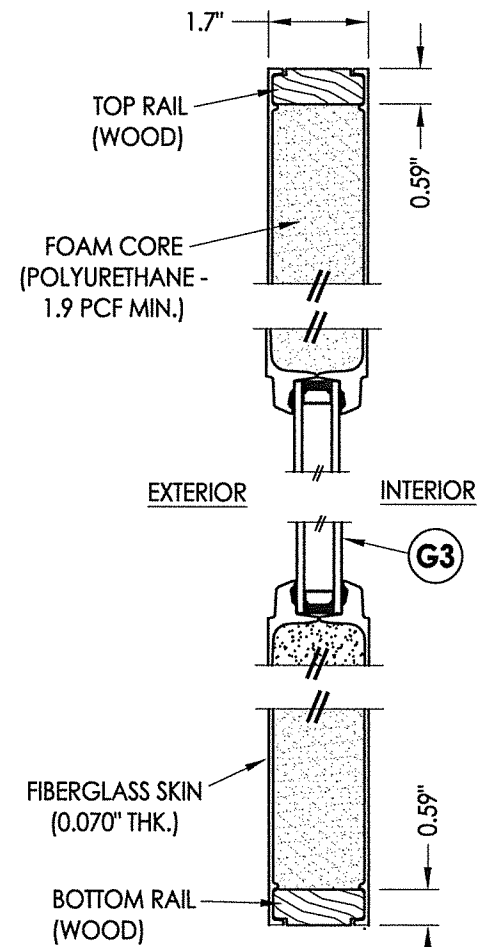
BTS 1/2 LITE FRAME



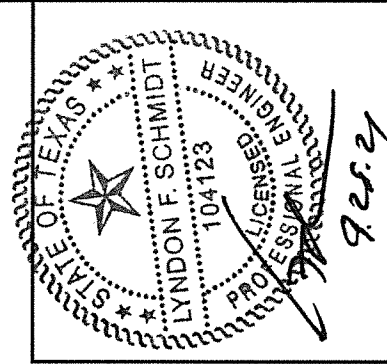
BTS FULL LITE FRAME



**3 VERTICAL CROSS SECTION**  
3 Lip Lite Glazing Shown



**4 VERTICAL CROSS SECTION**  
3 Flush Glazing Shown

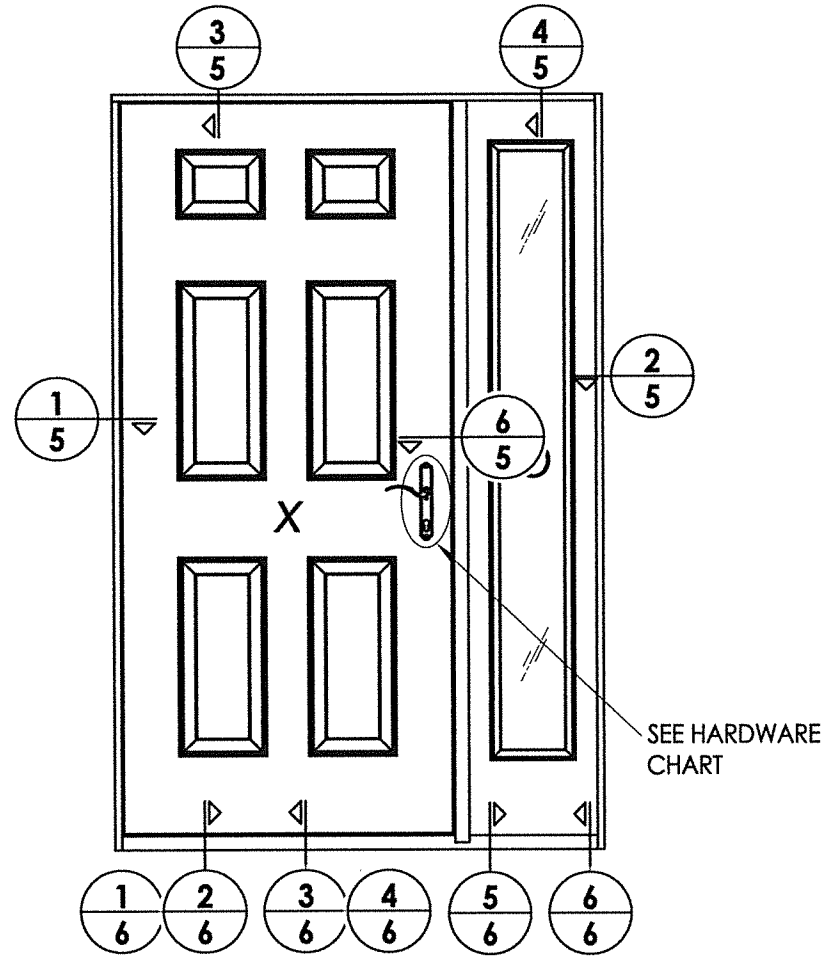


Documents Prepared By: Lyndon F. Schmidt, P.E.  
TEXAS P.E. #104123

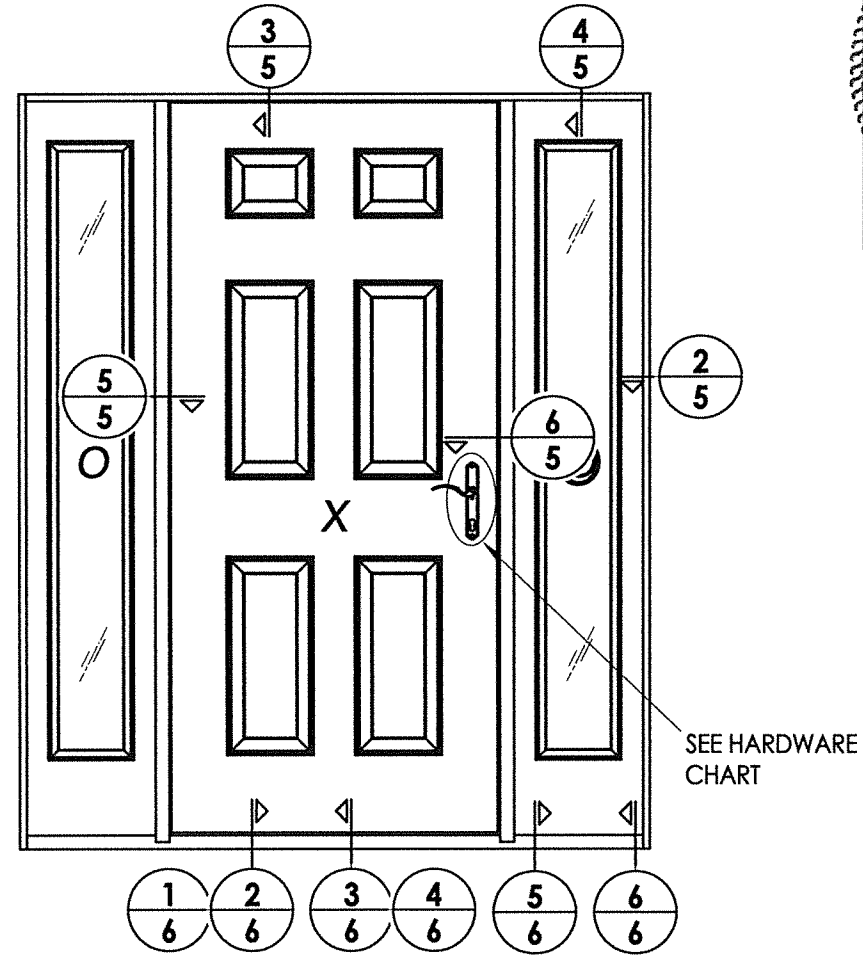
**RW** BUILDING CONSULTANTS, INC.  
P.O. Box 230 Valrico FL 33595  
Phone No.: 813.659.9197

CERTIFICATE OF REGISTRATION # F-11852

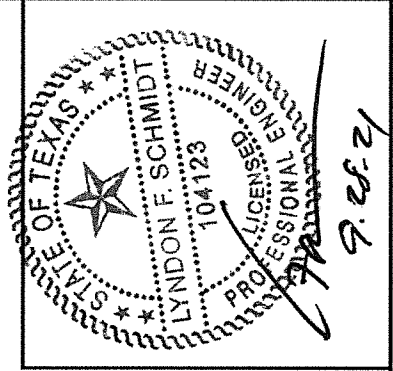
PRODUCT:		THERMA TRU FIBERGLASS DOOR	
PART OR ASSEMBLY:		SIDELITE PANEL DETAILS	
NO.	DATE	BY	REVISIONS
1	9/28/21	LFS	UPDATE TO 2018 IBC/IRC CODE
DATE: 11/14/17		SCALE: N.T.S.	
DWG. BY: JK		CHK. BY: LFS	
DRAWING NO.: TX-4726		SHEET 3 OF 11	



ELEVATION  
XO



ELEVATION  
OXO



Documents Prepared By: Lyndon F. Schmidt, P.E.  
TEXAS P.E. #104123

**RW** BUILDING CONSULTANTS, INC.  
P.O. Box 230 Valrico FL, 33595  
Phone No.: 813.659.9197

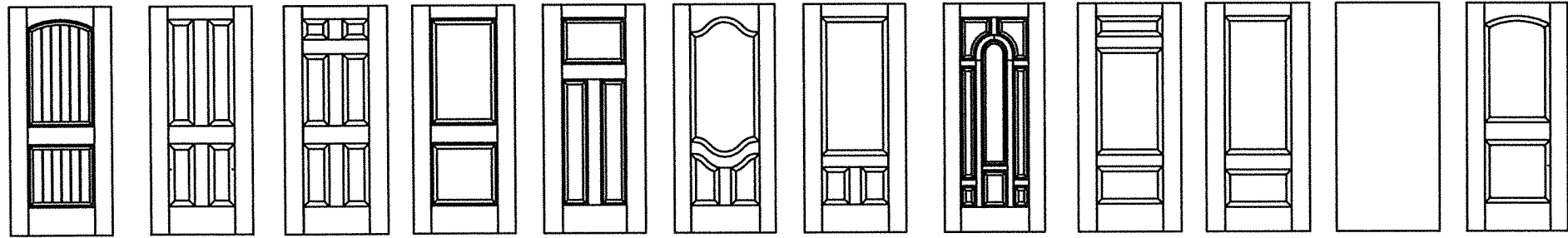
CERTIFICATE OF REGISTRATION # F-11852

PRODUCT:  
THERMA-TRU  
FIBERGLASS DOOR

PART OR ASSEMBLY:  
ELEVATIONS

NO.	DATE	REVISIONS
1	9/28/21	UPDATE TO 2018 IBC/IRC CODE
		LFS
		BY

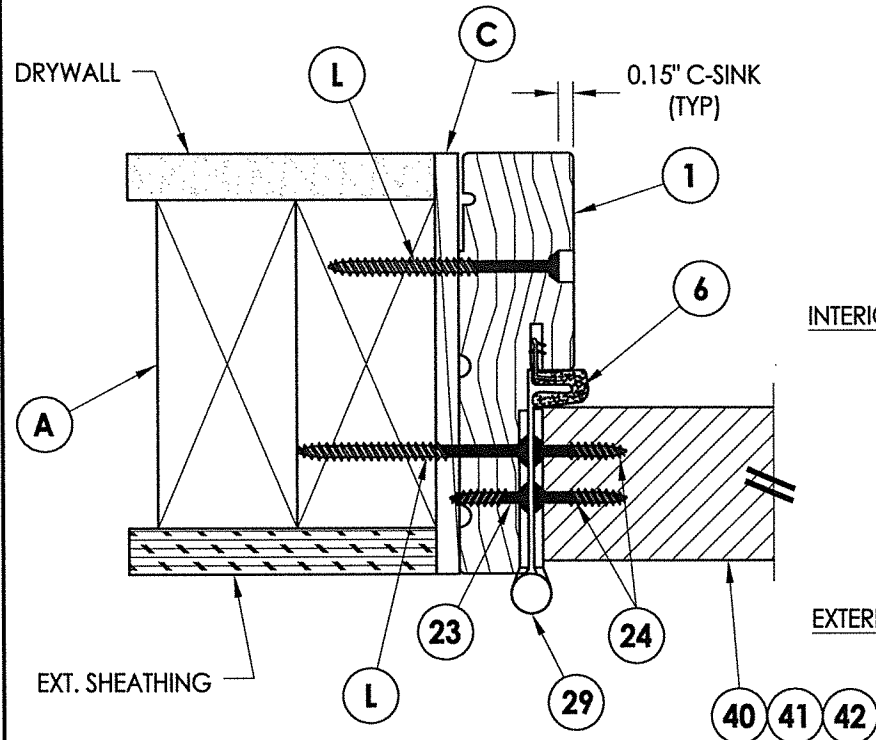
DATE: 11/14/17  
SCALE: N.T.S.  
DWG. BY: JK  
CHK. BY: LFS  
DRAWING NO.: TX-4726  
SHEET 4 OF 11



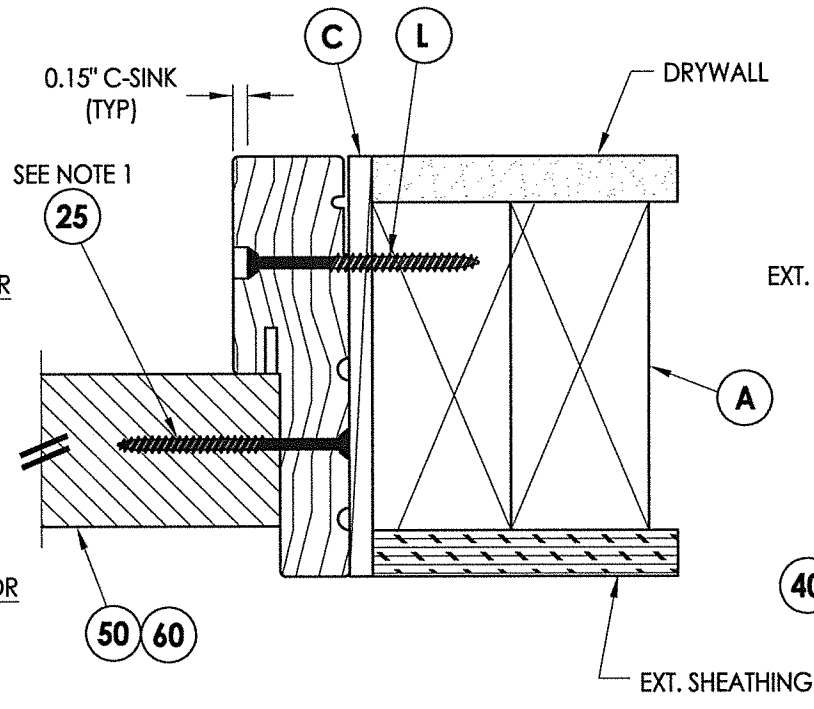
**Fiber-Classic/Smooth-Star Door Panel Options**  
Panel options shown are for illustration and are representative only  
(similar opaque panel configurations are allowed)

HARDWARE TABLE	
MANUFACTURER	MODEL
HOPPE (THERMA-TRU)	MULTIPOINT : MPDGART (3 pt. Manual Tongue)

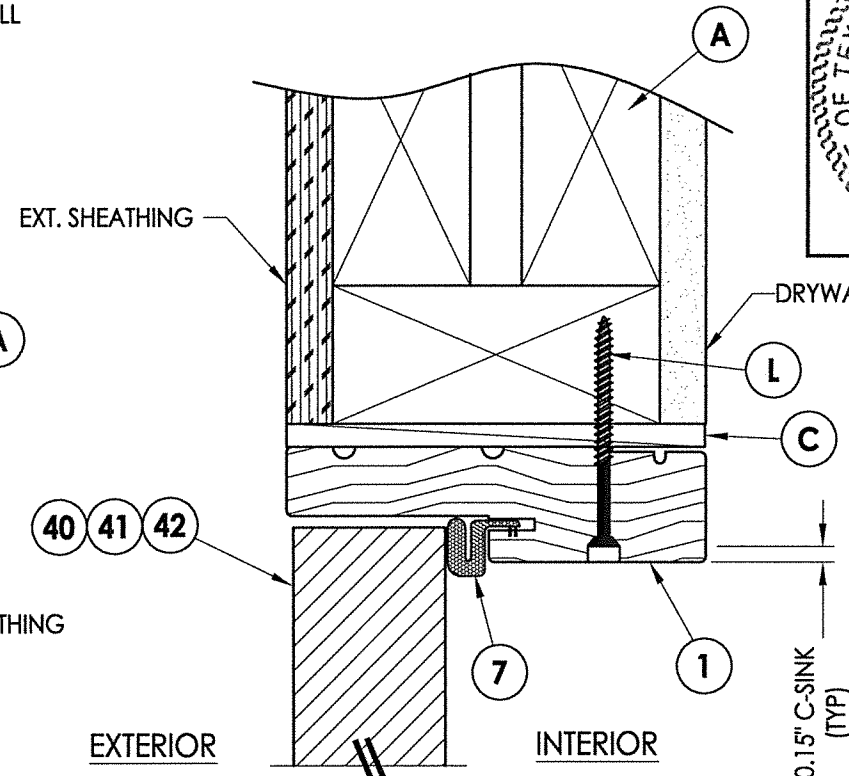
Z:\Clients\Therma Tru PERMANENT\B - Texas Dept of Ins\TDI - DR 947 - 68 & 8'0 Opaque Comp Edge Non-Impact (TX 4716 - 4727)\C - Drawings\TX-4726-27.dwg



**1 HORIZONTAL CROSS SECTION**  
**5** Shown w/ 2X Buck  
 Outswing shown (Inswing similar)



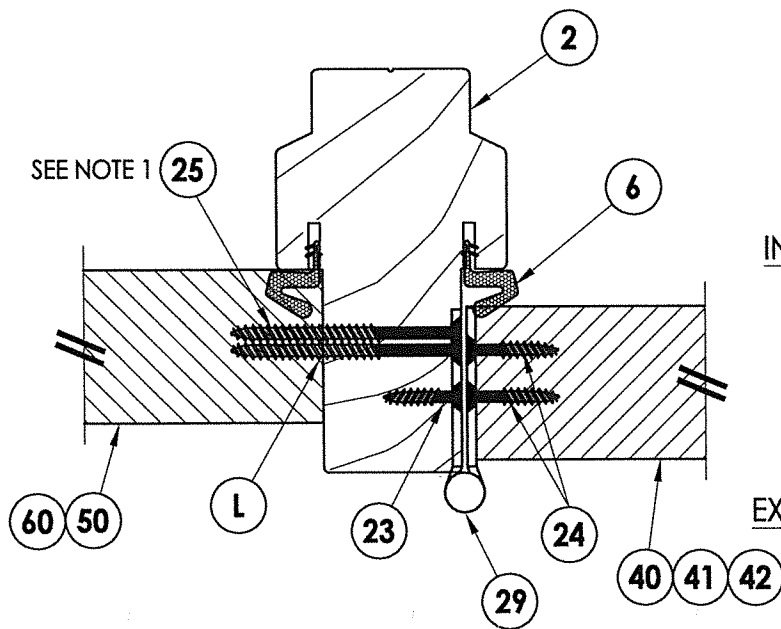
**2 HORIZONTAL CROSS SECTION**  
**5** Shown w/ 2X Buck  
 Outswing shown (Inswing similar)



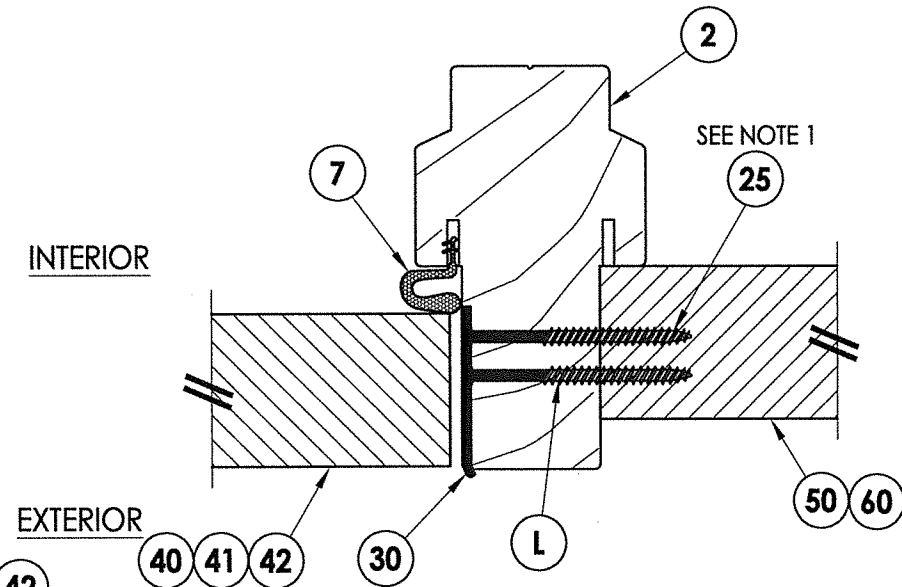
**3 VERTICAL CROSS SECTION**  
**5** Shown w/ 2X Buck  
 Outswing shown (Inswing similar)

**Notes:**

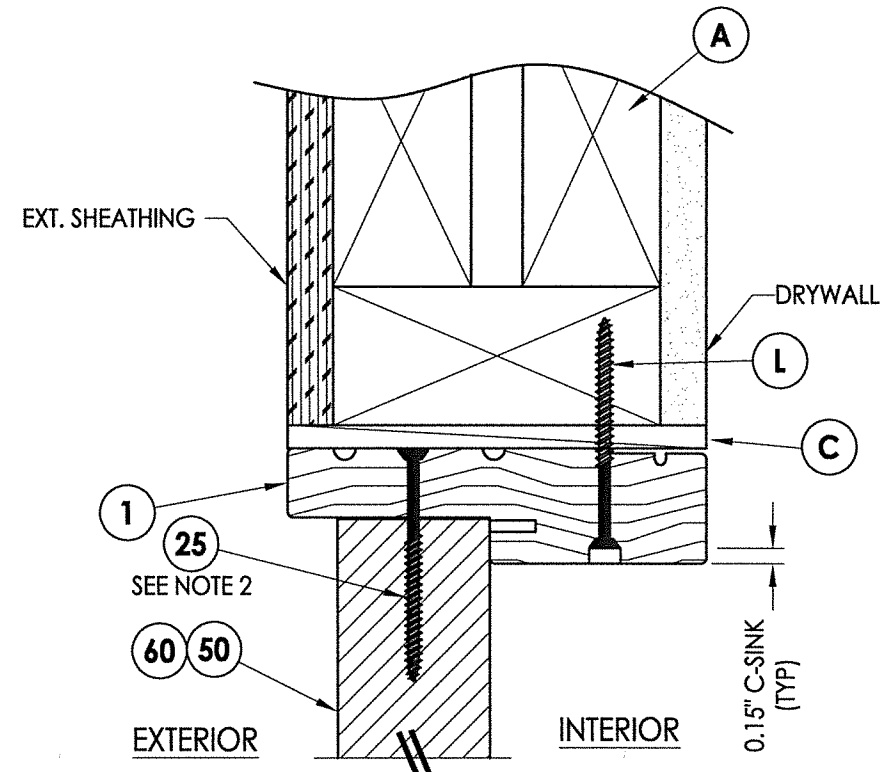
- Sidelite assembly screws located 6" from each end and then 5 more equally spaced (7 total along jamb/mullion).
- Sidelite assembly screws located 4" from each end (2 screws along head jamb).



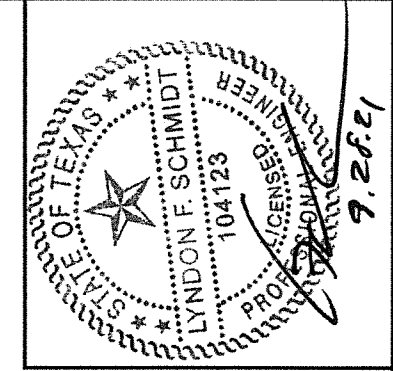
**5 HORIZONTAL CROSS SECTION**  
**5** Outswing shown (Inswing similar)



**6 HORIZONTAL CROSS SECTION**  
**5** Outswing shown (Inswing similar)



**4 VERTICAL CROSS SECTION**  
**5** Shown w/ 2X Buck  
 Outswing shown (Inswing similar)



Documents Prepared By: Lyndon F. Schmidt, P.E.  
 TEXAS P.E. #104123

**RW** BUILDING CONSULTANTS, INC.  
 P.O. Box 230 Valrico FL 33595  
 Phone No.: 813.659.9197

CERTIFICATE OF REGISTRATION # F-11852

PRODUCT: THERMA-TRU  
 FIBERGLASS DOOR  
 PART OR ASSEMBLY:  
 HORIZONTAL & VERTICAL  
 CROSS SECTIONS

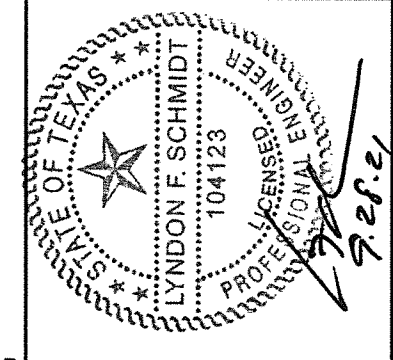
NO.	DATE	BY
1	9/28/21	LFS

DATE: 11/14/17  
 SCALE: N.T.S.  
 DWG. BY: JK  
 CHK. BY: LFS  
 DRAWING NO.: TX-4726  
 SHEET 5 OF 11

Z:\Clients\Therma Tru PERMANENT\B - Texas Dept of Ins\TDI - DR 947 - 6'8 & 8'0 Opaque Comp Edge Non-Impact (TX-4726-27.dwg

**Notes:**

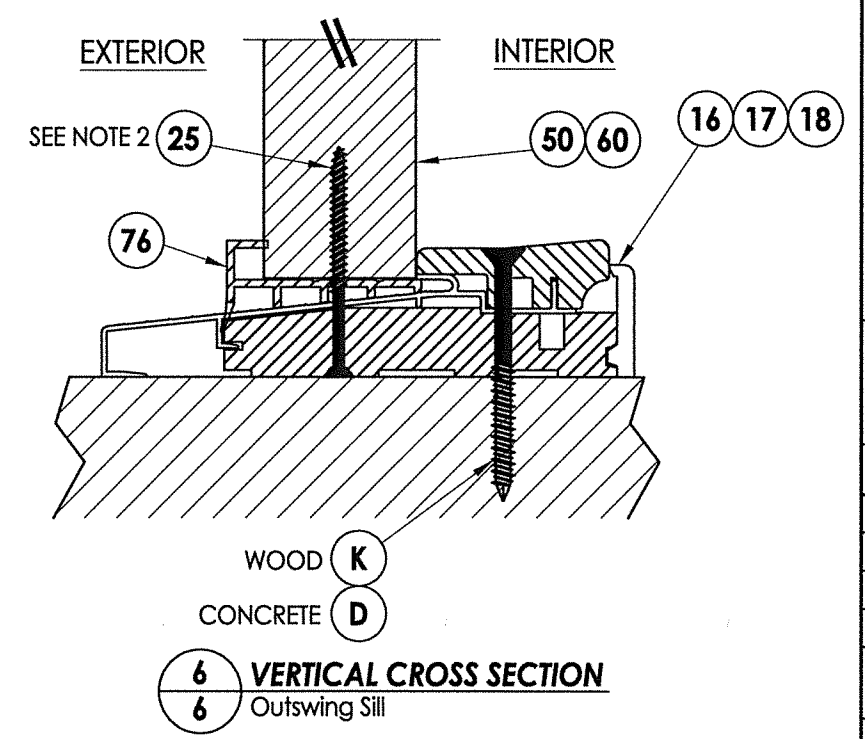
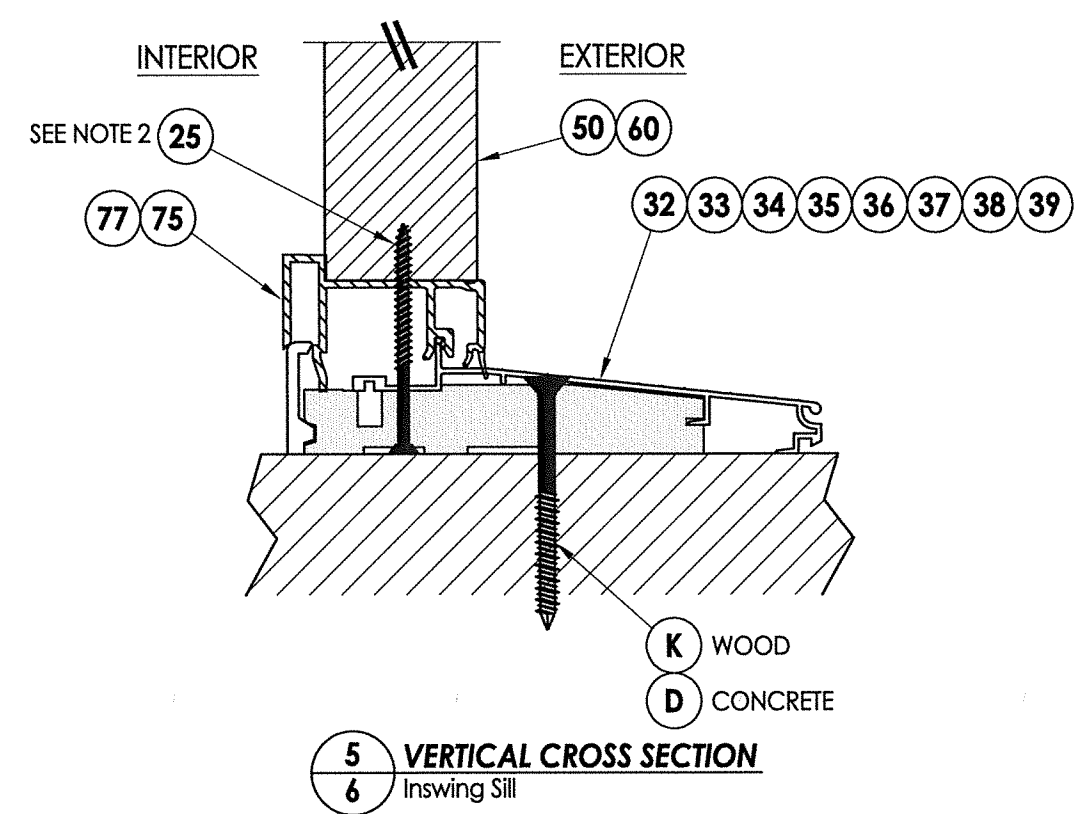
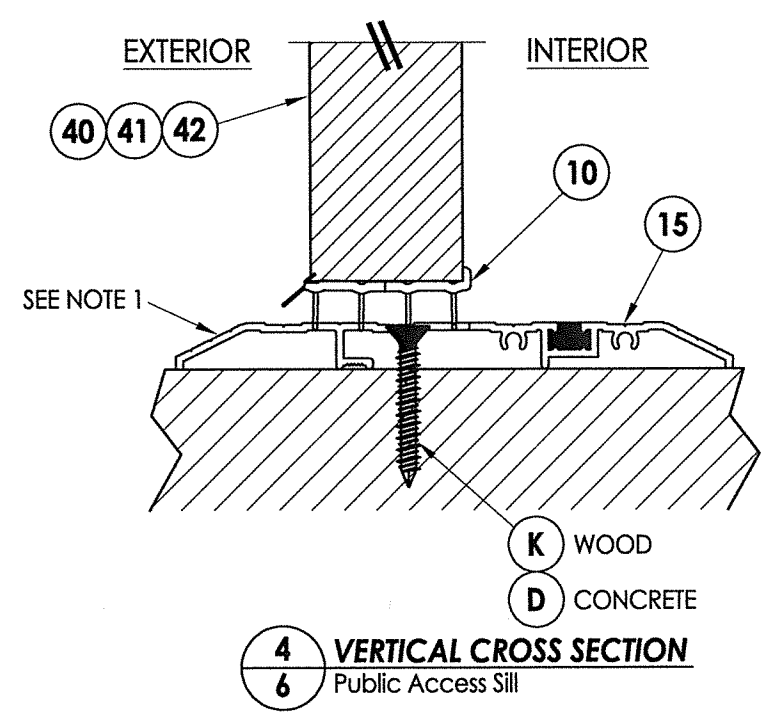
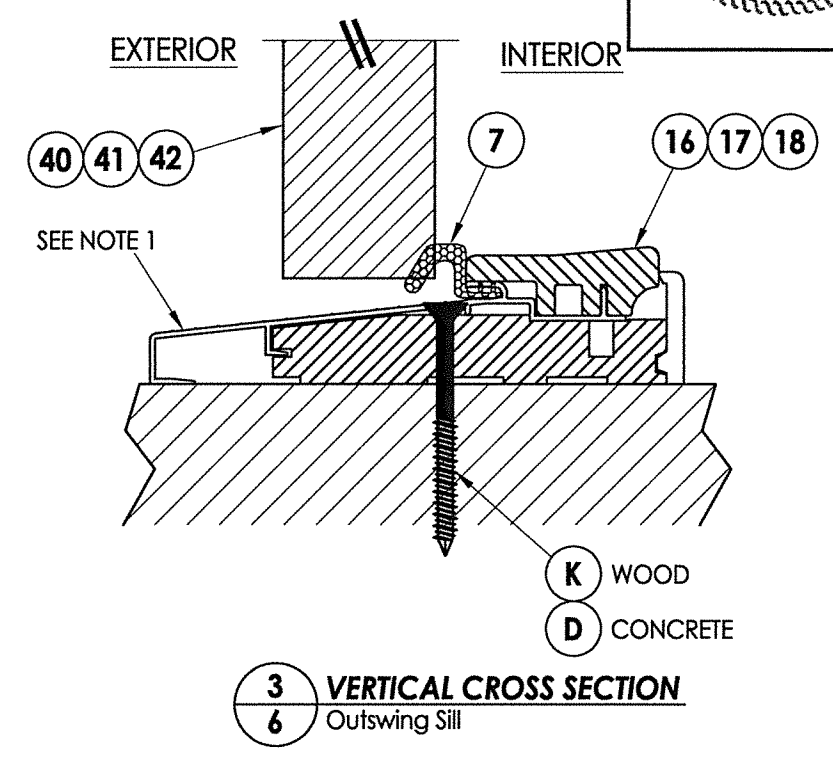
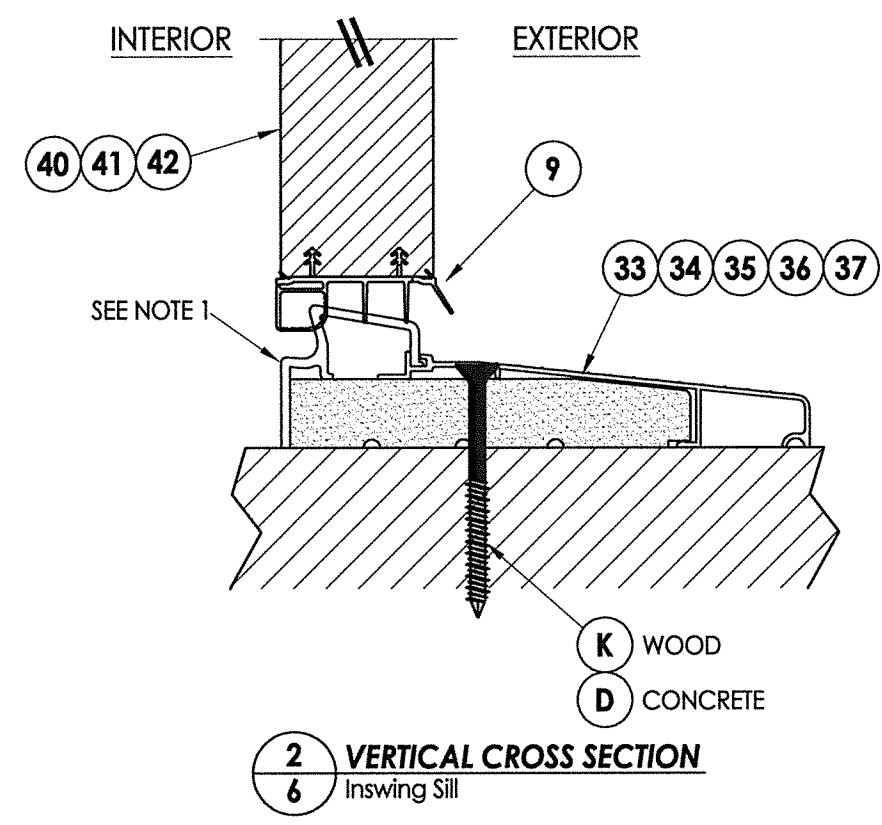
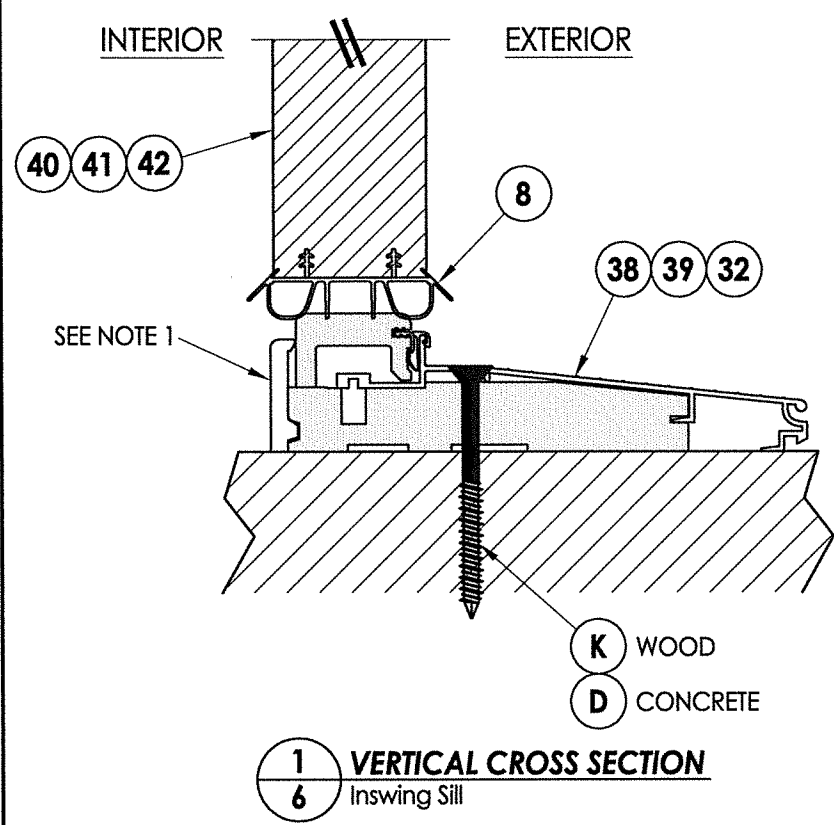
- Sill Item #'s 16, 32, 34, 35, 36, 37, 38 & 39 are attached to jambs w/ (3) #8 X 2-1/2" pph screws at each end.  
Sill Item #'s 17 & 18 are attached to jambs w/ (2) #8 X 2-1/2" pph screws at each end.  
Sill Item #15 is attached to jambs utilizing (2) #10 X 2" pph screws at each end.
- Sidelite assembly screws located 4" from each end (2 screws along sill).



Documents Prepared By: Lyndon F. Schmidt, P.E.  
TEXAS P.E. #104123

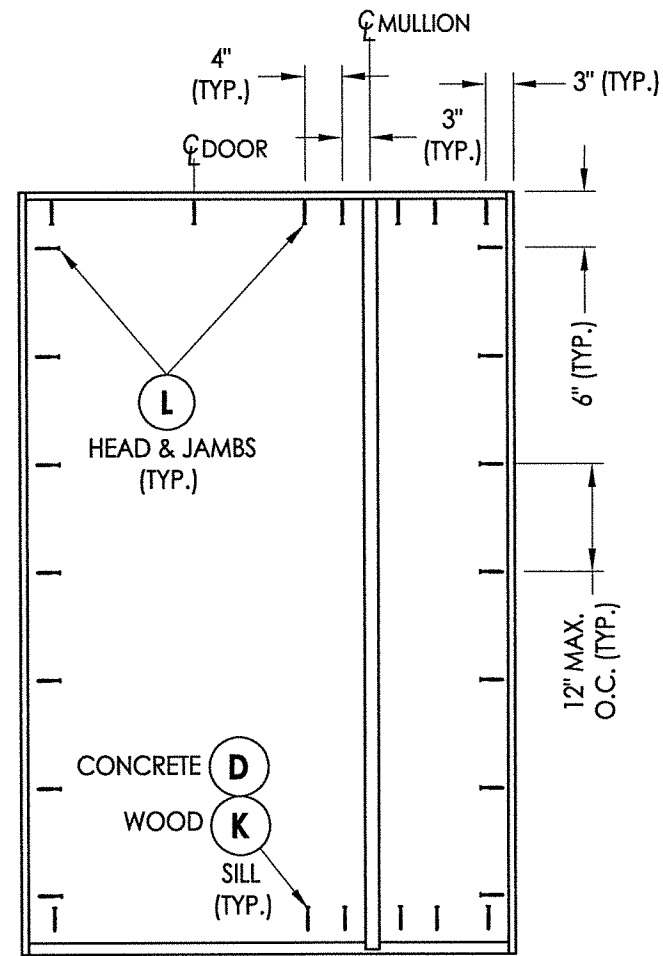
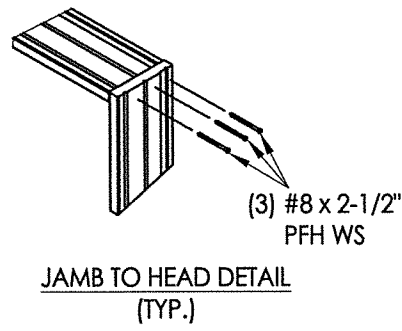
**RW** BUILDING CONSULTANTS, INC.  
P.O. Box 230 Valrico FL 33595  
Phone No.: 813.659.9197

CERTIFICATE OF REGISTRATION # F-11852

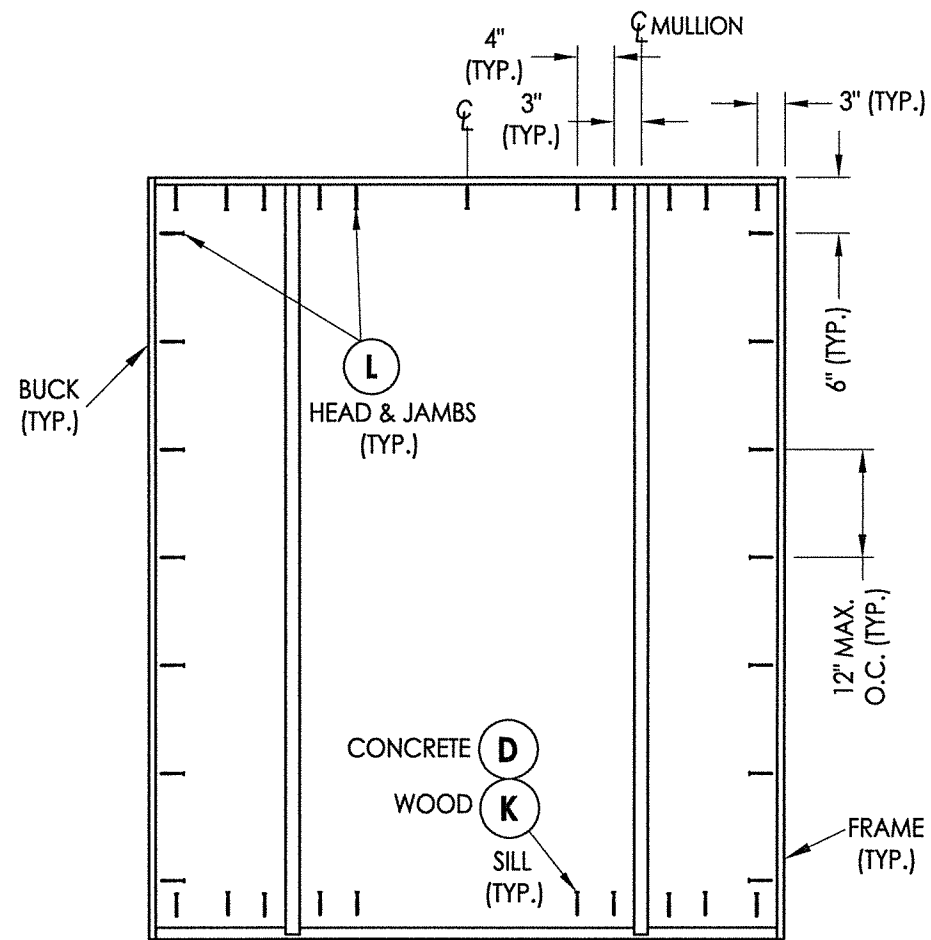


PRODUCT:	THERMA-TRU FIBERGLASS DOOR
PART OR ASSEMBLY:	VERTICAL CROSS SECTIONS (THRESHOLDS)
DATE:	11/14/17
SCALE:	N.T.S.
DWG. BY:	JK
CHK. BY:	LFS
DRAWING NO.:	TX-4726
SHEET	6 OF 11
NO.	1
DATE	9/28/21
UPDATE TO	2018 IBC/IRC CODE
BY	LFS
REVISIONS	

Z:\Clients\Therma Tru PERMANENT\B - Texas Dept of Ins\TDI - DR 947 - 6'8 & 8'0 Opaque Comp Edge Non-Impact (TX 4716 - 4727)C - Drawings\TX-4726-27.dwg

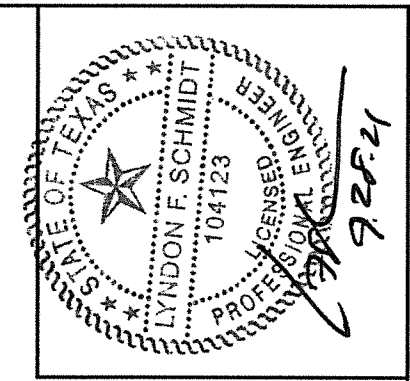


XO/OX



OXO

**FRAME ANCHORING**



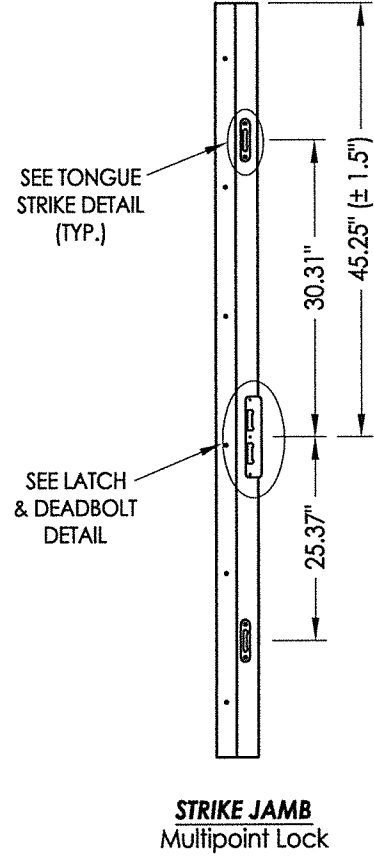
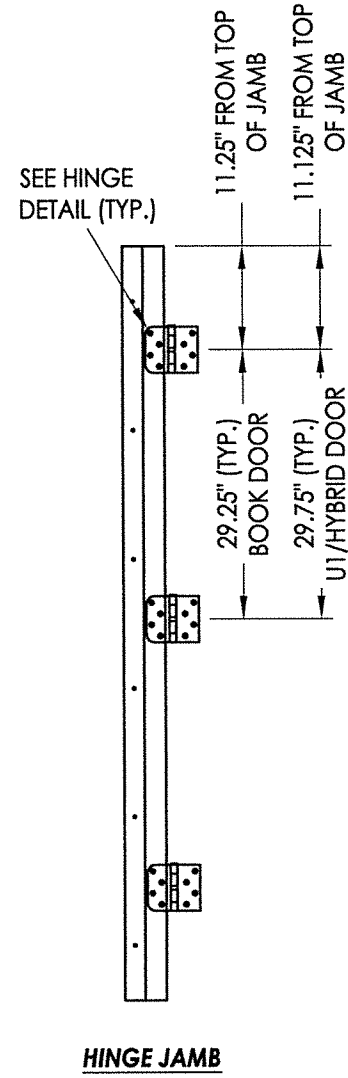
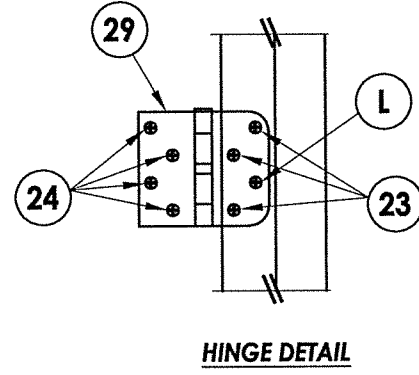
Documents Prepared By: Lyndon F. Schmidt, P.E.  
TEXAS P.E. #104123

**RW** BUILDING CONSULTANTS, INC.  
P.O. Box 230 Valrico FL, 33595  
Phone No.: 813.659.9197

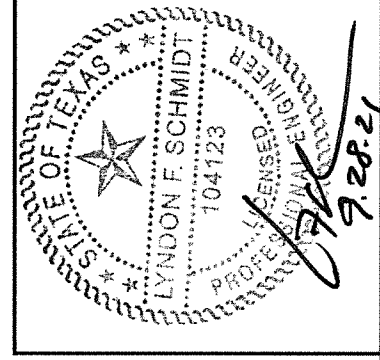
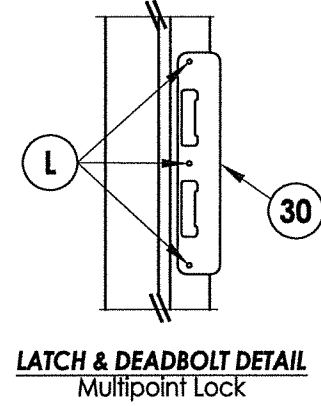
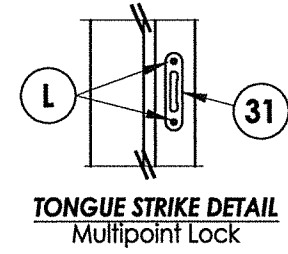
CERTIFICATE OF REGISTRATION # F-11852

PRODUCT:	THERMA-TRU FIBERGLASS DOOR	
PART OR ASSEMBLY:	FRAME ANCHORING	
NO.	DATE	REVISIONS
1	9/28/21	UPDATE TO 2018 IBC/IRC CODE
		LFS
		BY

DATE: 11/14/17  
SCALE: N.T.S.  
DWG. BY: JK  
CHK. BY: LFS  
DRAWING NO.: TX-4726  
SHEET 7 OF 11



**MULTIPOINT LOCK STRIKE DETAILS**



Documents Prepared By: Lyndon F. Schmidt, P.E.  
TEXAS P.E. #104123

**RW** BUILDING CONSULTANTS, INC.  
P.O. Box 230 Valrico FL. 33595  
Phone No.: 813.659.9197

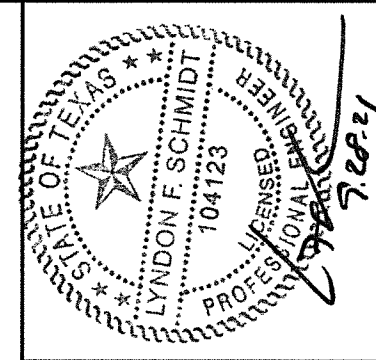
CERTIFICATE OF REGISTRATION # F-11852

PRODUCT: THERMA-TRU FIBERGLASS DOOR  
PART OR ASSEMBLY: HARDWARE DETAILS

NO.	DATE	DESCRIPTION	BY
1	9/28/21	UPDATE TO 2018 IBC/IRC CODE	LFS

DATE: 11/14/17  
SCALE: N.T.S.  
DWG. BY: JK  
CHK. BY: LFS  
DRAWING NO.: TX-4726  
SHEET 8 OF 11

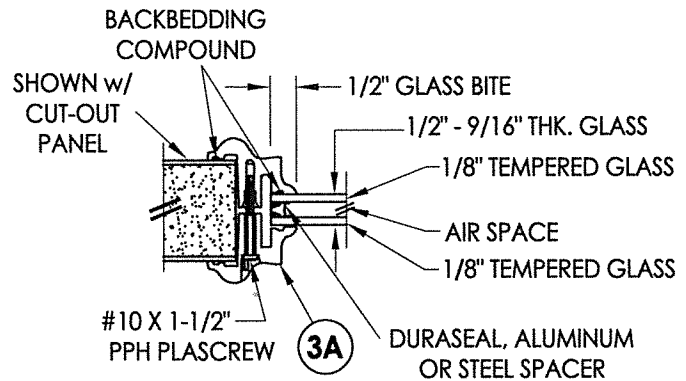




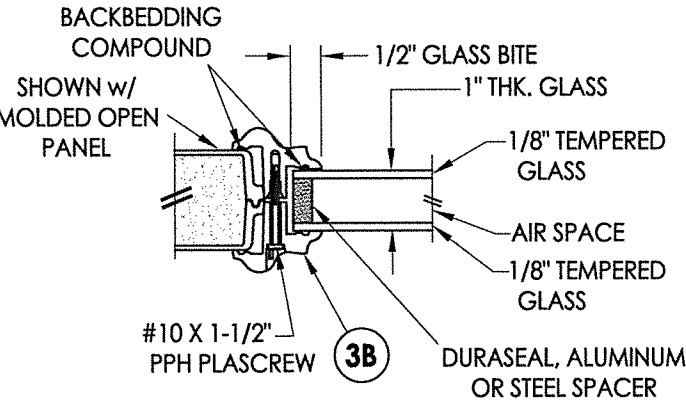
Documents Prepared By: Lyndon F. Schmidt, P.E.  
TEXAS P.E. #104123

**RW** BUILDING CONSULTANTS, INC.  
P.O. Box 230 Valrico FL 33595  
Phone No.: 813.659.9197

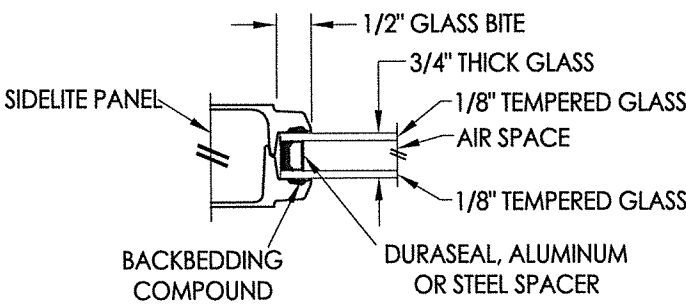
CERTIFICATE OF REGISTRATION # F-11852



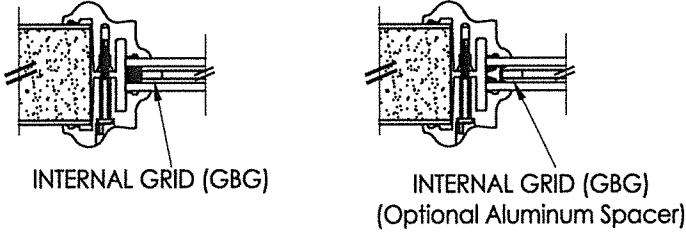
**G1 GLAZING DETAIL**  
BTS Lite Frame  
Sidelites



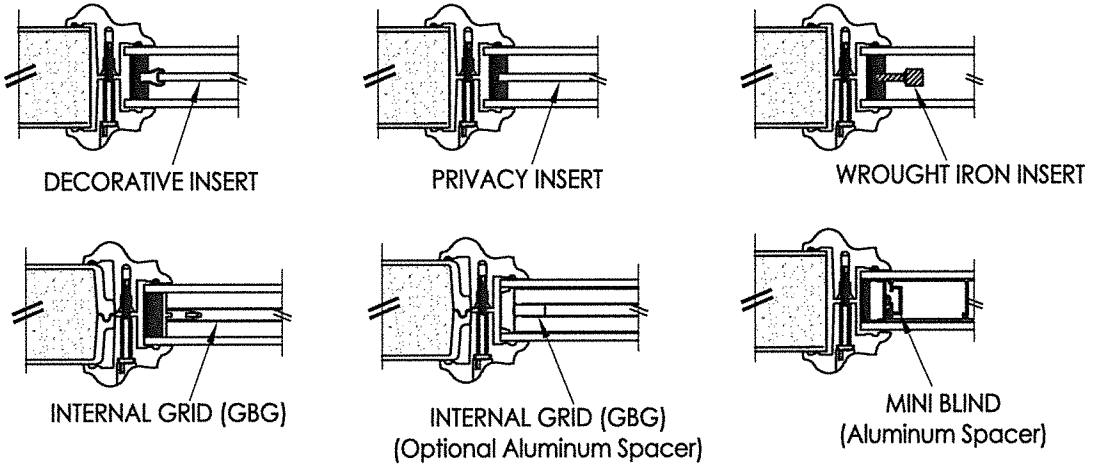
**G2 GLAZING DETAIL**  
BTS Lite Frame  
Sidelites



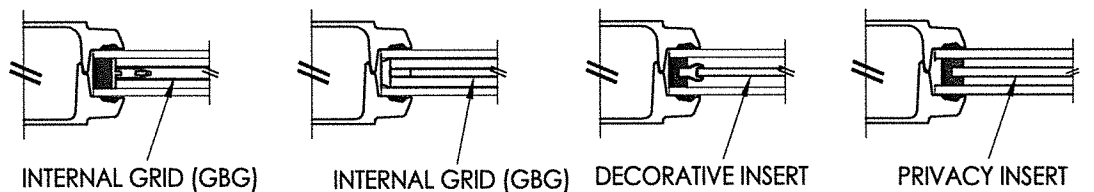
**G3 GLAZING DETAIL**  
Flush Glazing  
Sidelites



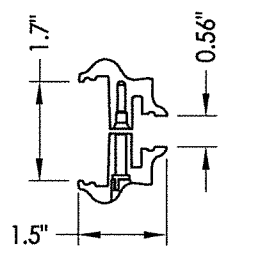
**9/16" INSULATED GLASS INSERT OPTIONS**



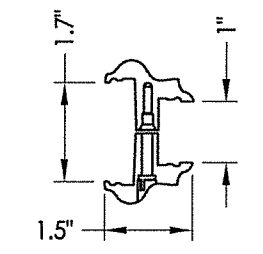
**1" INSULATED GLASS INSERT OPTIONS**



**3/4" INSULATED GLASS INSERT OPTIONS**

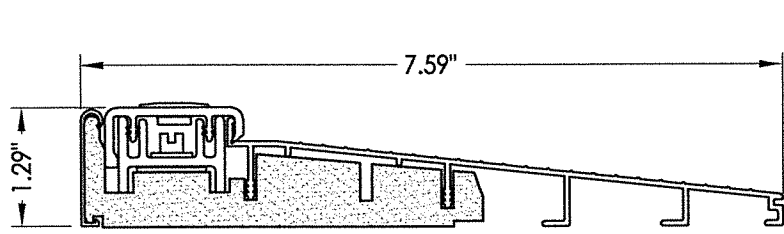


**3A BTS LITE FRAME**  
1/2" & 9/16" Glazing

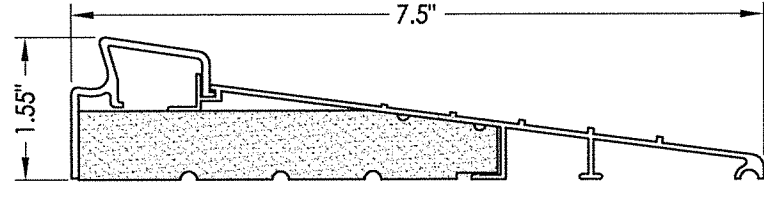


**3B BTS LITE FRAME**  
1" Glazing

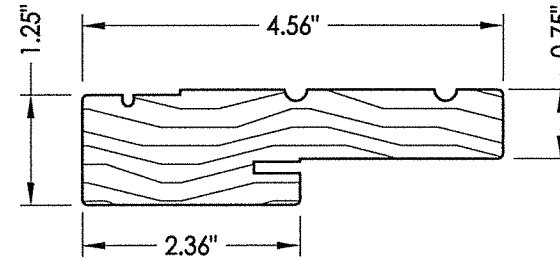
PRODUCT: THERMA-TRU FIBERGLASS DOOR		PART OR ASSEMBLY: GLAZING DETAILS	
NO.	DATE	DESCRIPTION	BY
1	9/28/21	UPDATE TO 2018 IBC/IRC CODE	LFS
REVISIONS			
DATE: 11/14/17			
SCALE: N.T.S.			
DWG. BY: JK			
CHK. BY: LFS			
DRAWING NO.: TX-4726			
SHEET 9 OF 11			



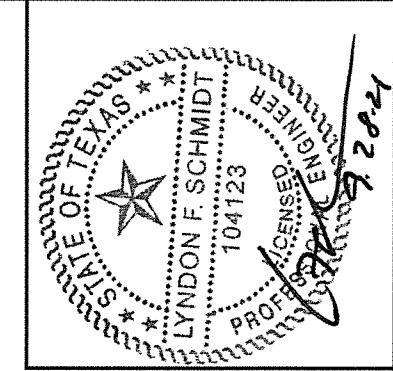
**32 INSWING THRESHOLD**  
Inswing Basic Composite Adjustable Sill 7-1/2"



**37 INSWING THRESHOLD**  
Inswing Basic Fixed 7-1/2" Sill



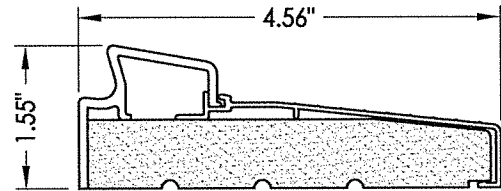
**1 WOOD JAMB**



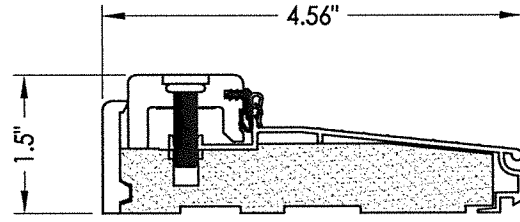
Documents Prepared By: Lyndon F. Schmidt, P.E.  
TEXAS P.E. #104123

**RW** BUILDING CONSULTANTS, INC.  
P.O. Box 230 Valrico FL 33595  
Phone No.: 813.659.9197

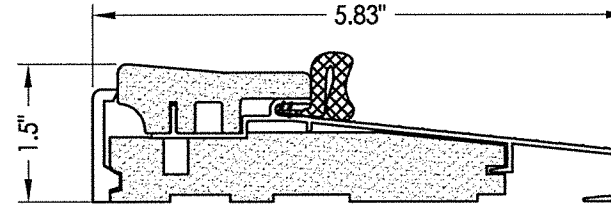
CERTIFICATE OF REGISTRATION # F-11852



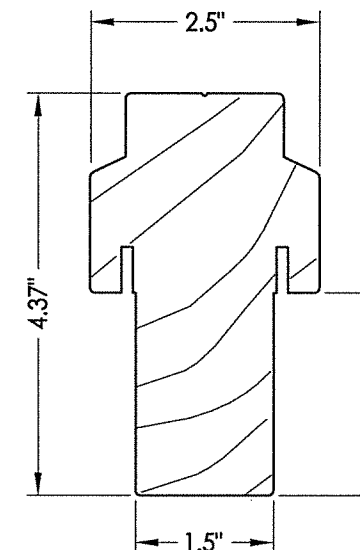
**33 INSWING THRESHOLD**  
Inswing Basic Fixed Sill



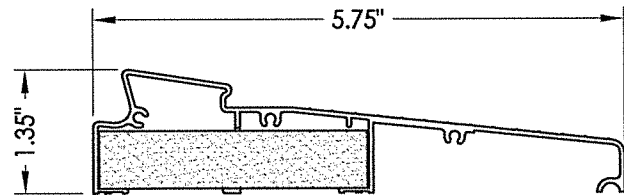
**38 INSWING THRESHOLD**  
Inswing Composite Adjustable Sill



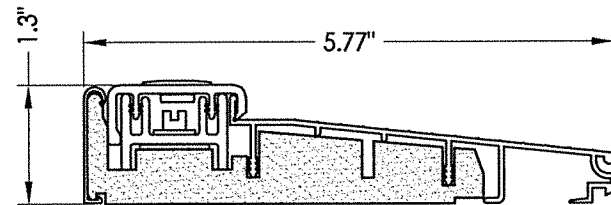
**16 OUTSWING THRESHOLD**  
Composite Sill



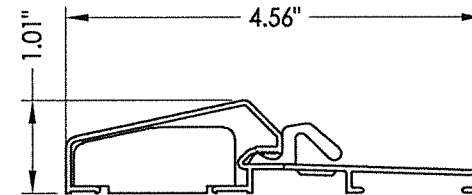
**2 INTEGRAL MULLION**



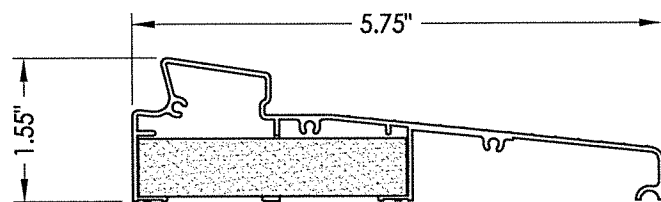
**34 INSWING THRESHOLD**  
Inswing Moderate Climate Sill 1-3/8"



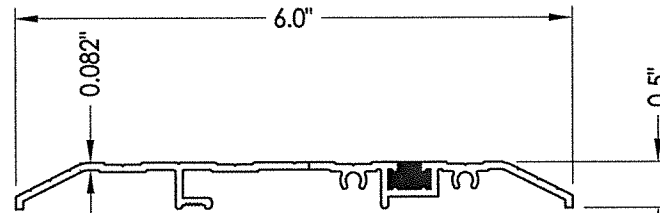
**39 INSWING THRESHOLD**  
Inswing Basic Composite Adjustable Sill



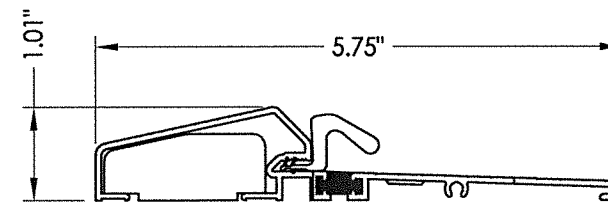
**17 OUTSWING THRESHOLD**  
Composite / Aluminum Sill



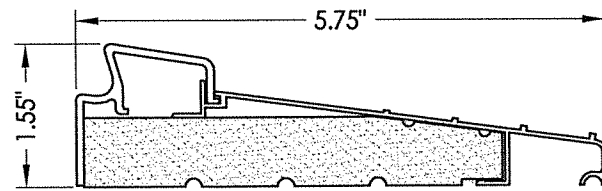
**35 INSWING THRESHOLD**  
Inswing Moderate Climate Sill



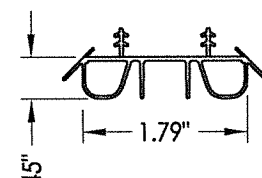
**15 PUBLIC ACCESS THRESHOLD**



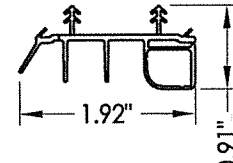
**18 OUTSWING THRESHOLD**  
Composite / Aluminum Sill  
(Thermal Break)



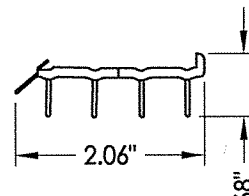
**36 INSWING THRESHOLD**  
Inswing Basic Fixed 5-3/4" Sill



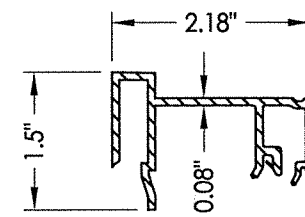
**8 SWEEP**



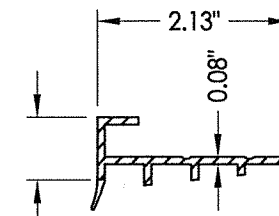
**9 SWEEP**



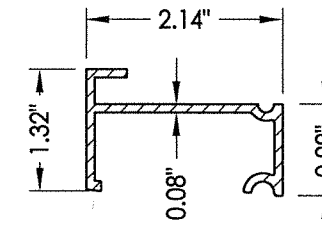
**10 SWEEP**



**75 SIDELITE SPACER**  
Inswing



**76 SIDELITE SPACER**  
Outswing

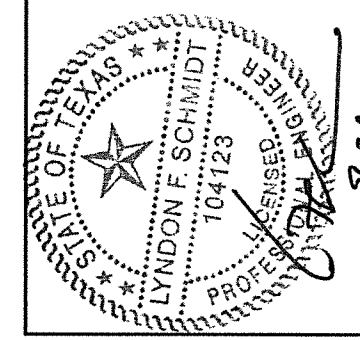


**77 SIDELITE SPACER**  
Inswing  
Moderate Climate Threshold

PRODUCT:		THERMA-TRU FIBERGLASS DOOR	
PART OR ASSEMBLY:		COMPONENTS	
NO.	DATE	REVISIONS	BY
1	9/28/21	UPDATE TO 2018 IBC/IRC CODE	LFS
DATE: 11/14/17		SCALE: N.T.S.	
DWG. BY: JK		CHK. BY: LFS	
DRAWING NO.: TX-4726		SHEET 10 OF 11	

Z:\Clients\Therma Tru PERMANENT\B - Texas Dept of Ins\TDI - DR 947 - 6'8 & 8'0 Opaque Comp Edge Non-Impact (TX 4716 - 4727)\C - Drawings\TX-4726-27.dwg

BILL OF MATERIALS		
ITEM #	DESCRIPTION	MATERIAL
A	2X FRAMING (SG >= 0.42)	WOOD
C	1/4" MAX. SHIM SPACE	-
D	1/4" PFH DeWALT OR ITW CONCRETE SCREW (1-3/4" MIN. EMBEDMENT)	STEEL
K	#12 PFH WOOD SCREW (1-1/2" MIN. EMBEDMENT)	STEEL
L	#10 X 2-1/2" PFH WOOD SCREW (1.15" MIN. EMBEDMENT)	STEEL
1	JAMB (FINGER JOINT PINE )	WOOD
2	INTEGRAL MULLION (PINE, SG >=0.42)	WOOD
6	WEATHERSTRIP (MEDIUM REACH)	FOAM
7	WEATHERSTRIP (LONG REACH)	FOAM
8	SWEEP	VINYL
9	SWEEP (USE w/ MODERATE CLIMATE THRESHOLD)	VINYL
10	SWEEP (USE w/ PUBLIC ACCESS THRESHOLD)	VINYL
15	PUBLIC ACCESS THRESHOLD	ALUM
16	OUTSWING THRESHOLD	ALUM/COMP
17	OUTSWING THRESHOLD	ALUM/COMP
18	OUTSWING THRESHOLD	ALUM/COMP
23	#10 x 3/4" PFH WOOD SCREW	STEEL
24	#10 x 1" PFH WOOD SCREW	STEEL
25	#8 x 2-1/2" PFH WOOD SCREW	STEEL
26	#8 x 5/8" PFH WOOD SCREW	STEEL
29	4" X 4" HINGE	STEEL
30	LATCH & DEADBOLT STRIKE PLATE (TONGUE SYSTEM)	ALUM/COMP
31	MULTIPOINT STRIKE PLATE (TONGUE SYSTEM)	ALUM/COMP
32	INSWING THRESHOLD	ALUM/COMP
33	INSWING THRESHOLD	ALUM/COMP
34	INSWING THRESHOLD	ALUM/COMP
35	INSWING THRESHOLD	ALUM/COMP
36	INSWING THRESHOLD	ALUM/COMP
37	INSWING THRESHOLD	ALUM/COMP
38	INSWING THRESHOLD	ALUM/COMP
39	INSWING THRESHOLD	ALUM/COMP
40	DOOR PANEL (BOOK)	-
41	DOOR PANEL (HYBRID)	-
42	DOOR PANEL (U1)	-
50	SIDELITE	-
75	SIDELITE SPACER (INSWING)	PVC
76	SIDELITE SPACER (OUTSWING)	PVC
77	SIDELITE SPACER (INSWING) - MODERATE CLIMATE SILL	PVC



Documents Prepared By: Lyndon F. Schmidt, P.E.  
TEXAS P.E. #104123

**RW** BUILDING CONSULTANTS, INC.  
P.O. Box 230 Valrico FL 33595  
Phone No.: 813.659.9197

CERTIFICATE OF REGISTRATION # F-11852

PRODUCT: THERMA-TRU FIBERGLASS DOOR

PART OR ASSEMBLY: BILL OF MATERIALS

NO.	DATE	REVISIONS
1	9/28/21	UPDATE TO 2018 IBC/IRC CODE
		LFS
		BY

DATE: 11/14/17

SCALE: N.T.S.

DWG. BY: JK

CHK. BY: LFS

DRAWING NO.: TX-4726

SHEET 11 OF 11

**CONCRETE ANCHOR NOTES:**

- Concrete anchor locations at the corners may be adjusted to maintain the min. edge distance to mortar joints.
- Concrete anchor locations noted as "MAX. ON CENTER" must be adjusted to maintain the min. edge distance to mortar joints, additional concrete anchors may be required to ensure the "MAX. ON CENTER" dimension are not exceeded.
- Concrete anchor table:

ANCHOR TYPE	ANCHOR SIZE	MIN. EMBEDMENT	MIN. CLEARANCE TO MASONRY EDGE	MIN. CLEARANCE TO ADJACENT ANCHOR
ITW TAPCON®	1/4"	1-3/4"	2"	4"
DeWALT ULTRACON+®	1/4"	1-3/4"	1"	4"

**WOOD SCREW INSTALLATION NOTES:**

- Maintain a minimum 5/8" edge distance, 1" end distance, & 1" o.c. spacing of wood screws to prevent the splitting of wood.