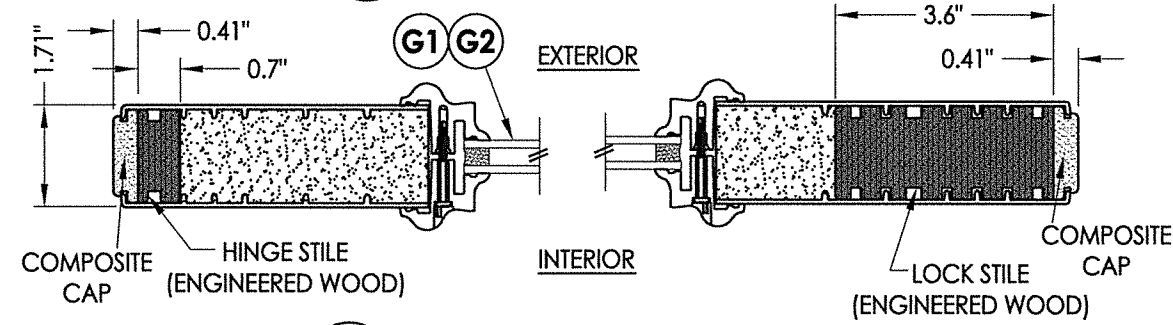
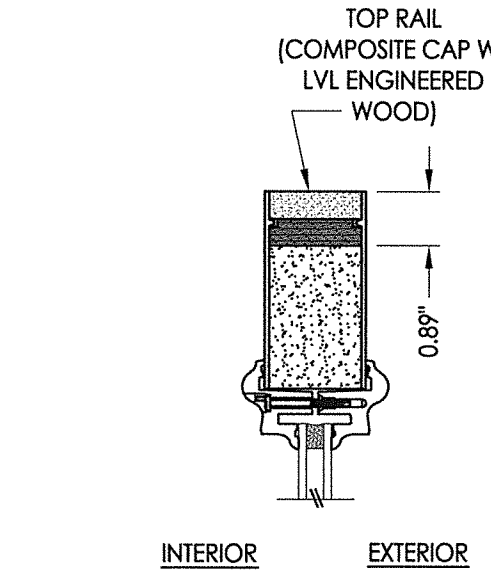
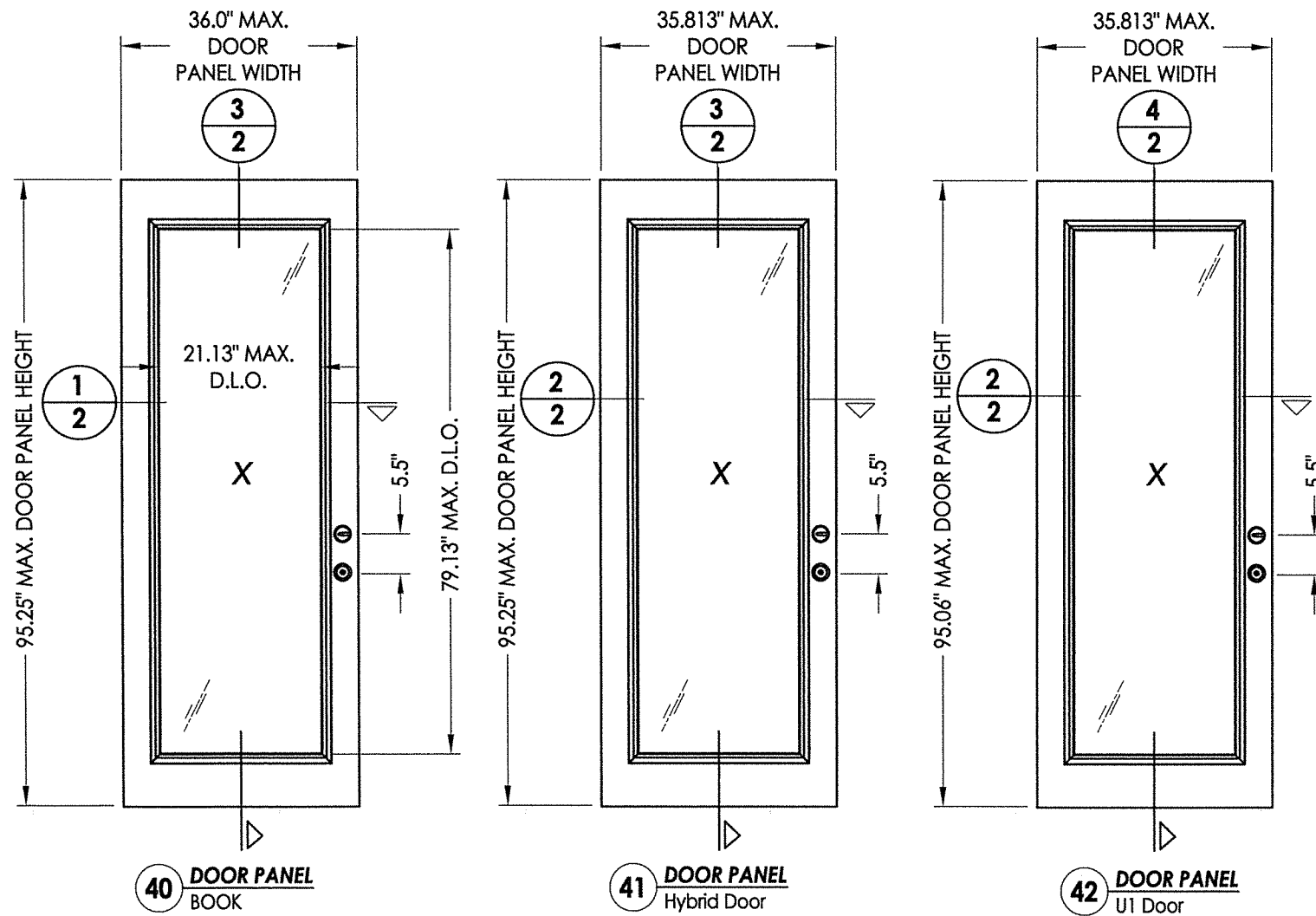


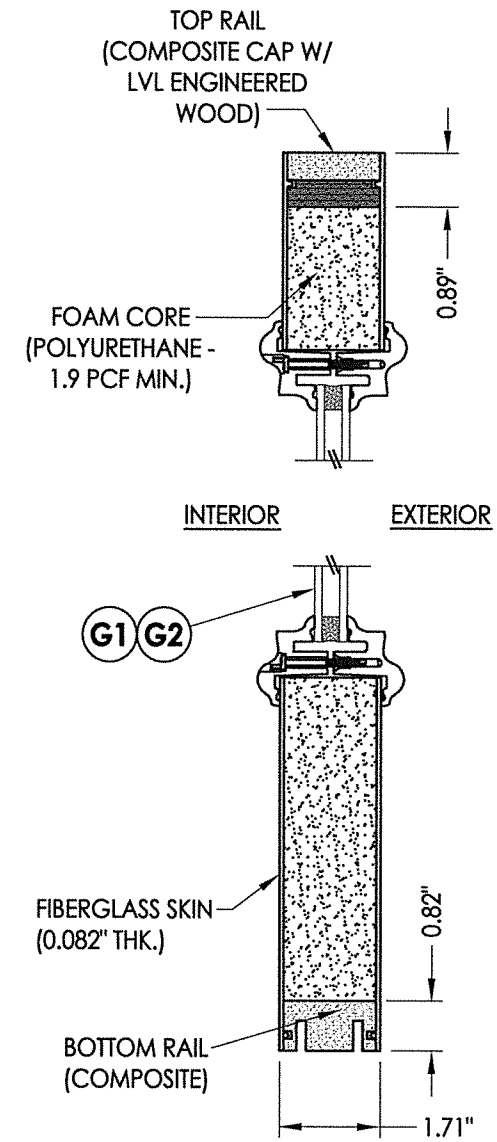
**1** HORIZONTAL CROSS SECTION  
**2**



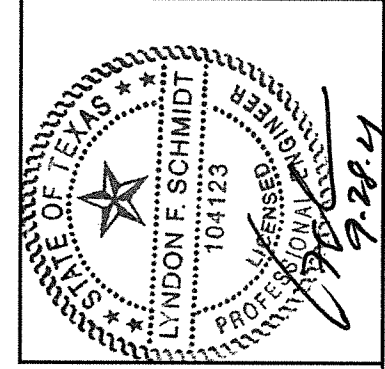
**2** HORIZONTAL CROSS SECTION  
**2**



**3** VERTICAL CROSS SECTION  
**2**



**4** VERTICAL CROSS SECTION  
**2**

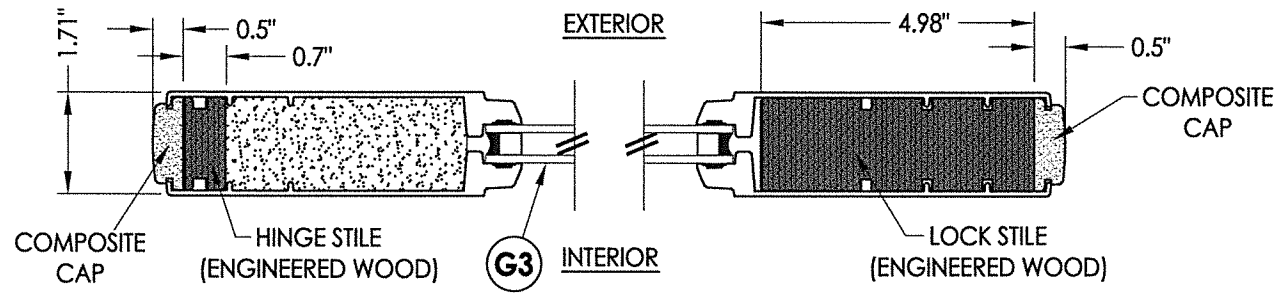


Documents Prepared By: Lyndon F. Schmidt, P.E.  
TEXAS P.E. #104123

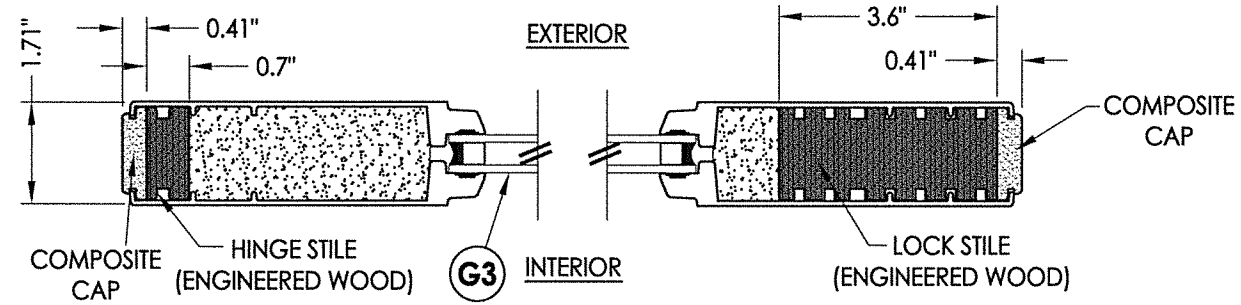
RW BUILDING CONSULTANTS, INC.  
P.O. Box 230 Valrico FL 33595  
Phone No.: 813.659.9197

CERTIFICATE OF REGISTRATION # F-11852

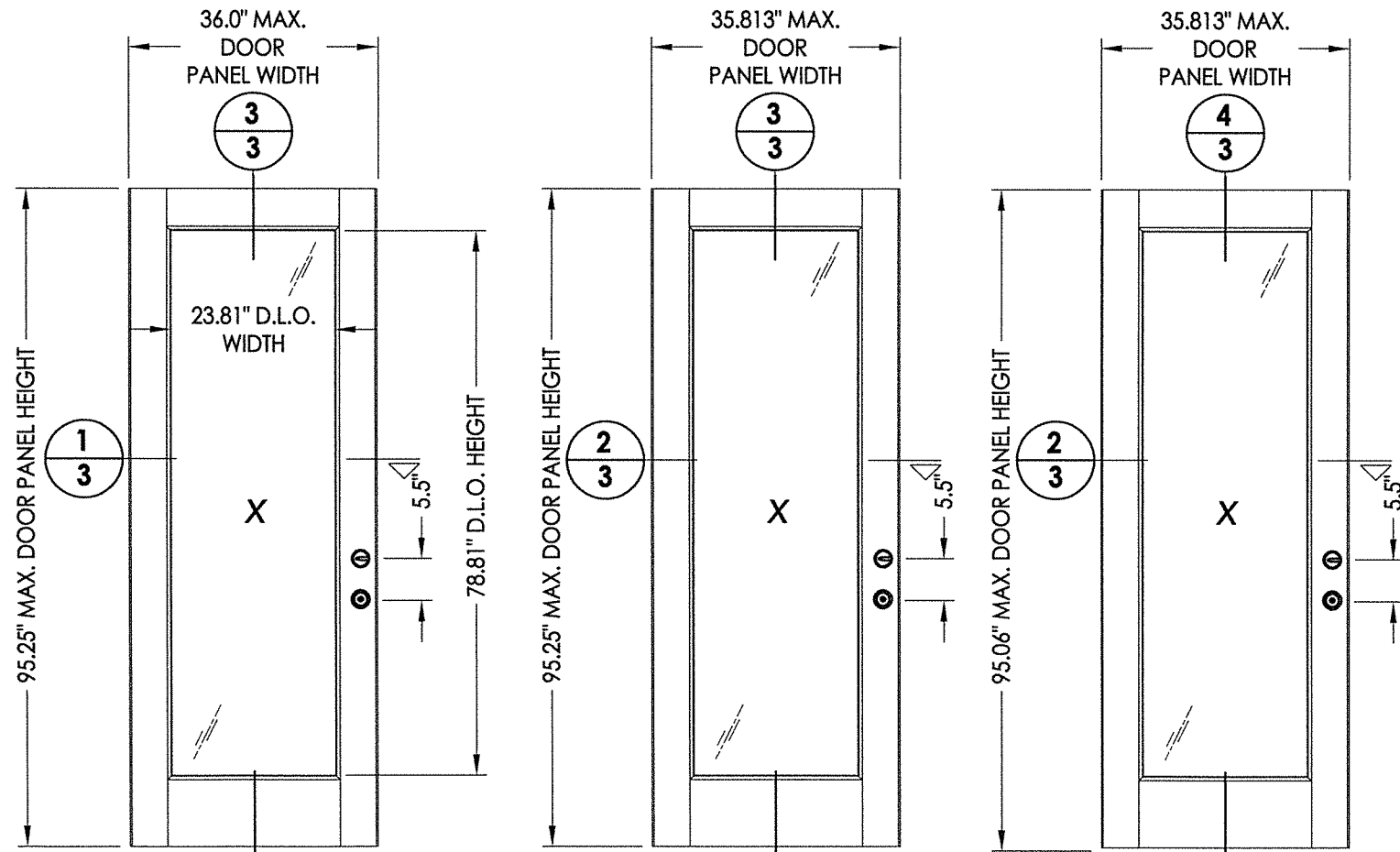
PRODUCT:	Therma-TRU FIBERGLASS DOOR	
PART OR ASSEMBLY:	DOOR PANEL DETAILS	
DATE:	11/27/17	
SCALE:	N.T.S.	
DWG. BY:	JK	
CHK. BY:	LFS	
DRAWING NO.:	TX-4766	
SHEET	2 OF 11	
NO.	DATE	REVISIONS
1	9/27/21	UPDATE TO 2018 IBC/IRC CODE
		LFS BY



**1**  
**3** HORIZONTAL CROSS SECTION



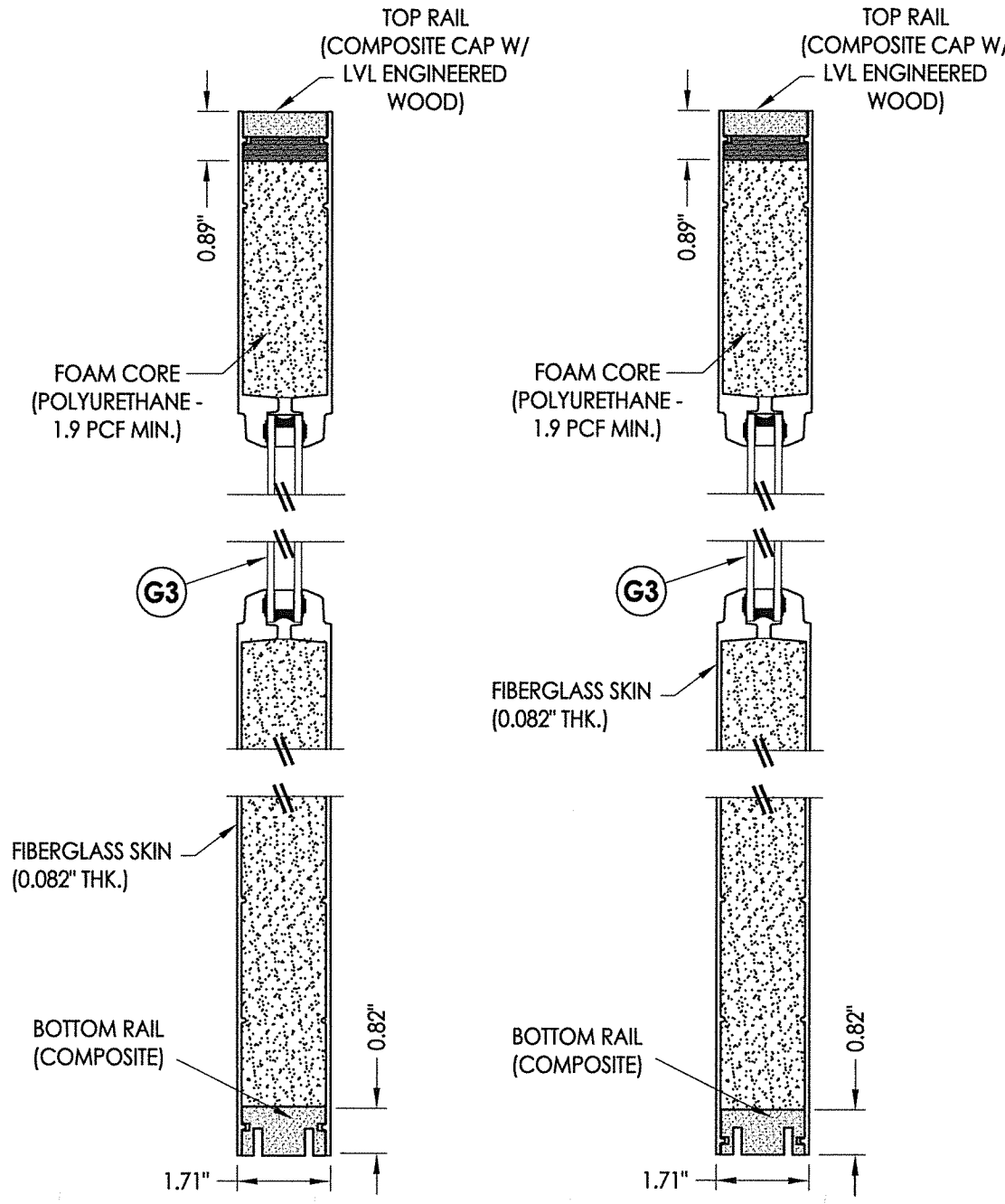
**2**  
**3** HORIZONTAL CROSS SECTION



**43** DOOR PANEL BOOK

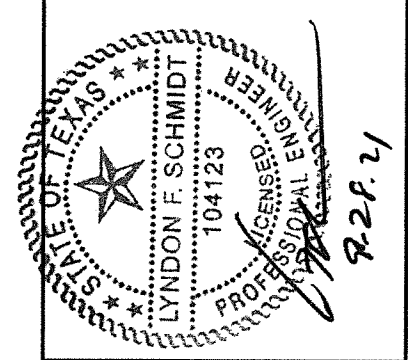
**44** DOOR PANEL Hybrid Door

**45** DOOR PANEL U1 Door



**3**  
**3** VERTICAL CROSS SECTION

**4**  
**3** VERTICAL CROSS SECTION

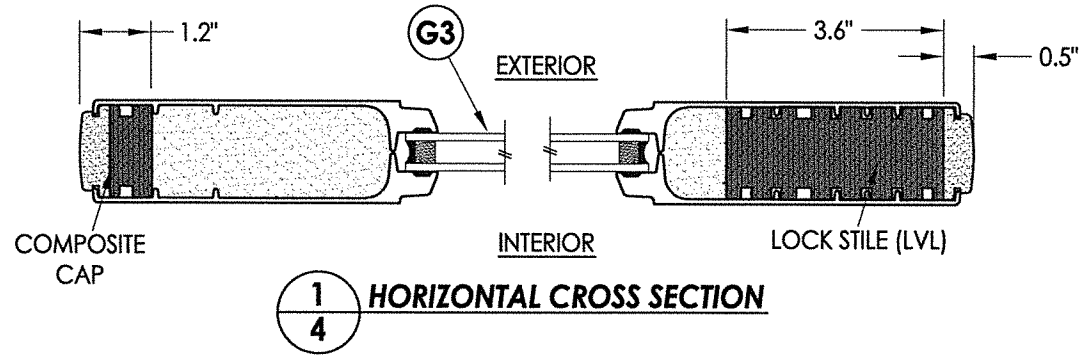


Documents Prepared By: Lyndon F. Schmidt, P.E.  
TEXAS P.E. #104123  
**RW** BUILDING CONSULTANTS, INC.  
P.O. Box 230 Valrico FL 33595  
Phone No.: 813.659.9197  
CERTIFICATE OF REGISTRATION # F-11852

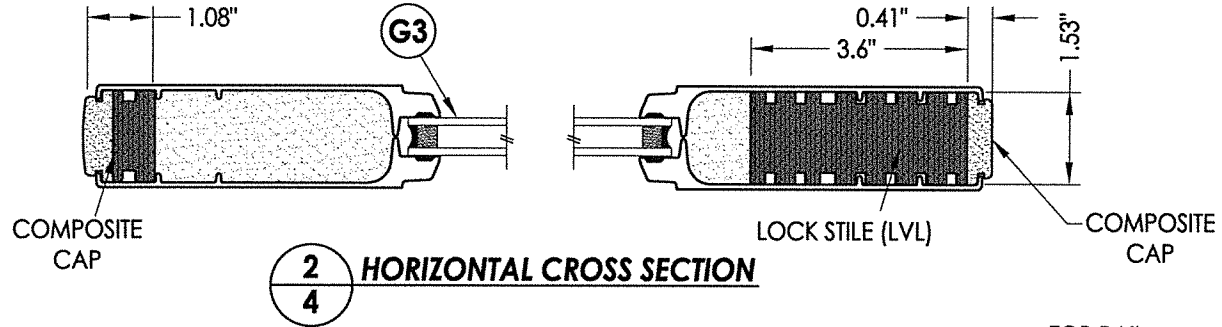
PRODUCT:	Therma-Tru FIBERGLASS DOOR
PART OR ASSEMBLY:	DOOR PANEL DETAILS

NO.	DATE	DESCRIPTION	BY
1	9/27/21	UPDATE TO 2018 IBC/IRC CODE	LFS

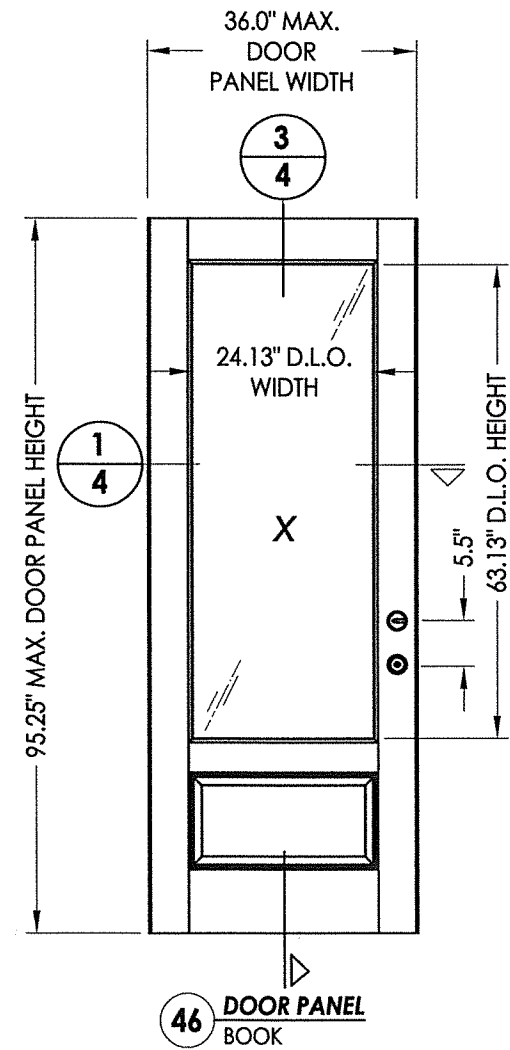
DATE:	11/27/17
SCALE:	N.T.S.
DWG. BY:	JK
CHK. BY:	LFS
DRAWING NO.:	TX-4766
SHEET	3 OF 11



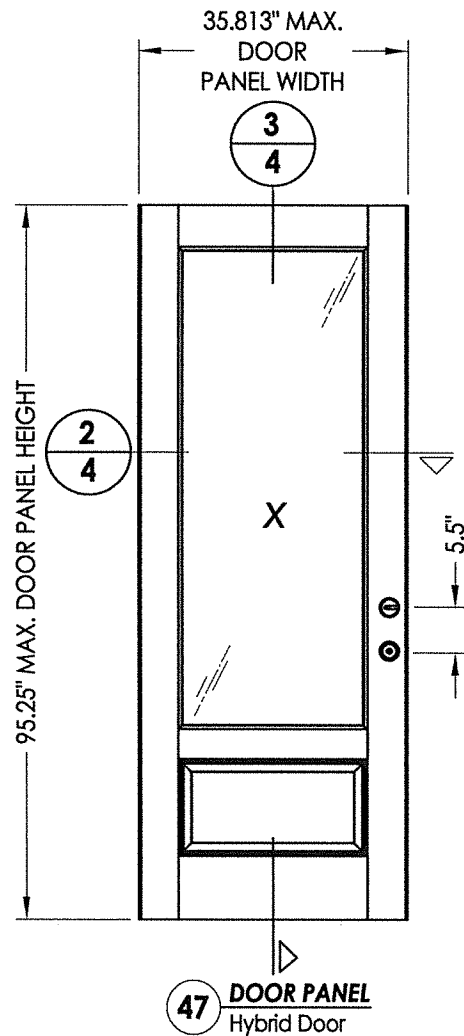
**1/4 HORIZONTAL CROSS SECTION**



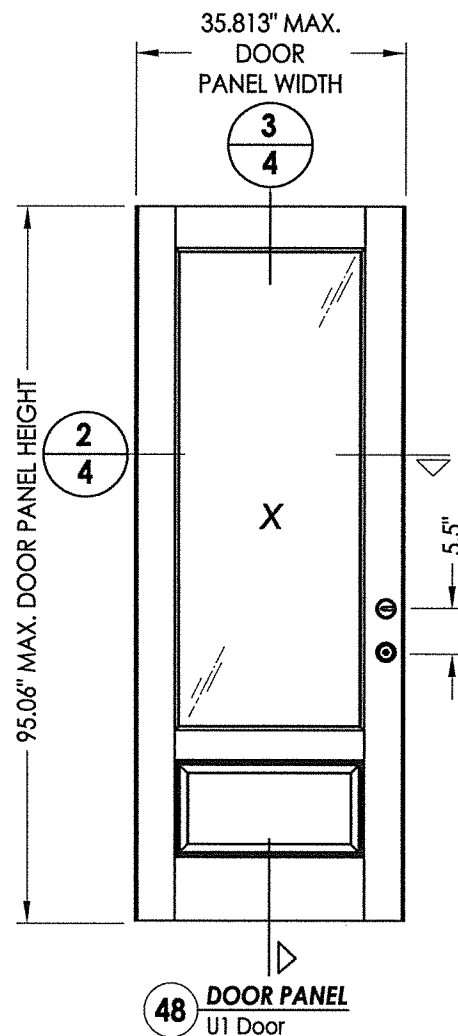
**2/4 HORIZONTAL CROSS SECTION**



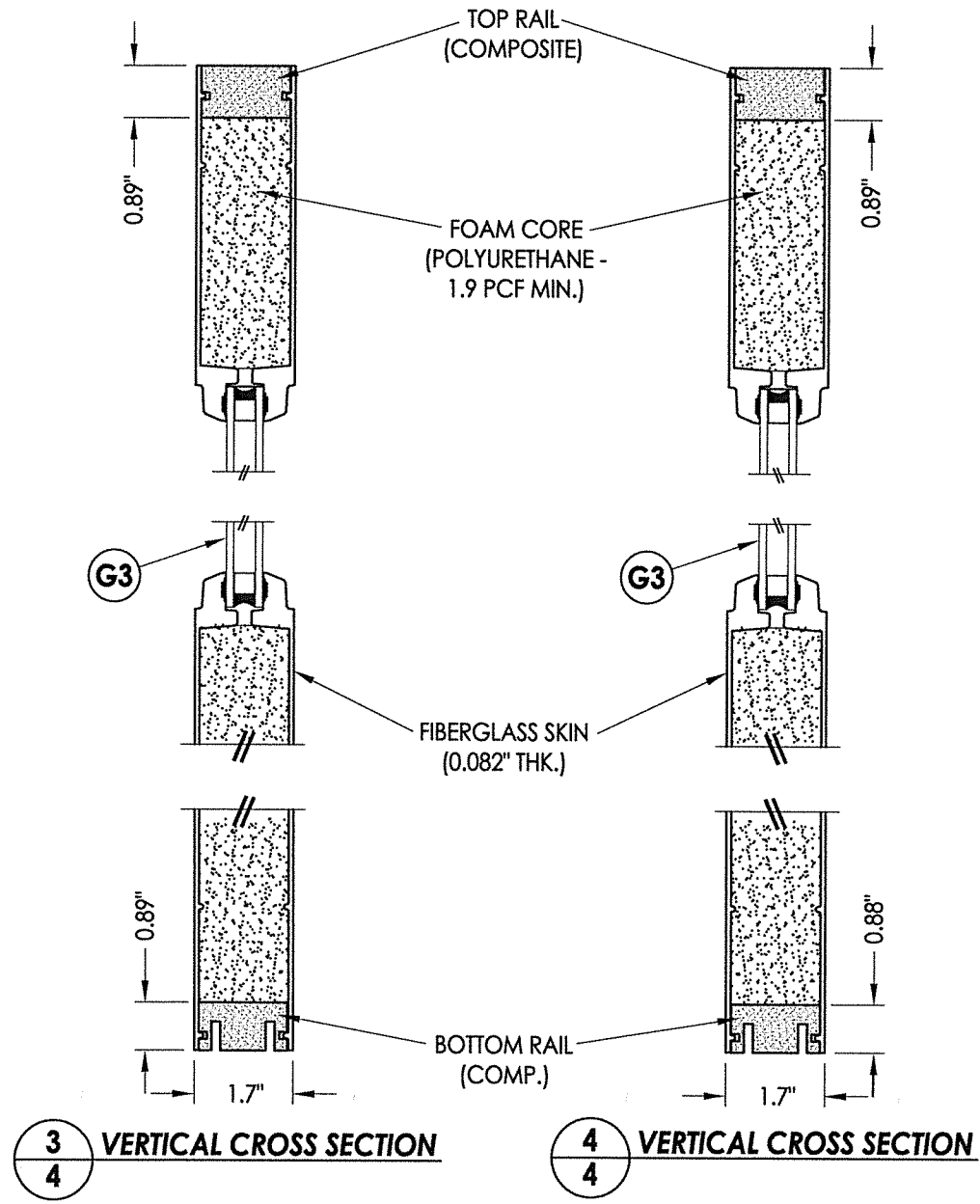
**46 DOOR PANEL BOOK**



**47 DOOR PANEL Hybrid Door**

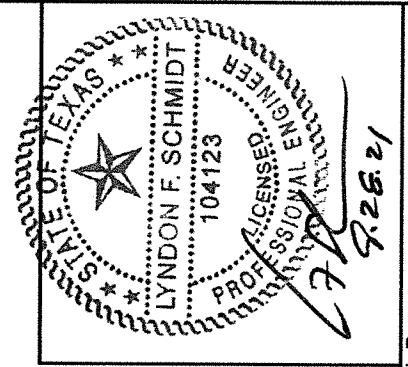


**48 DOOR PANEL U1 Door**



**3/4 VERTICAL CROSS SECTION**

**4/4 VERTICAL CROSS SECTION**

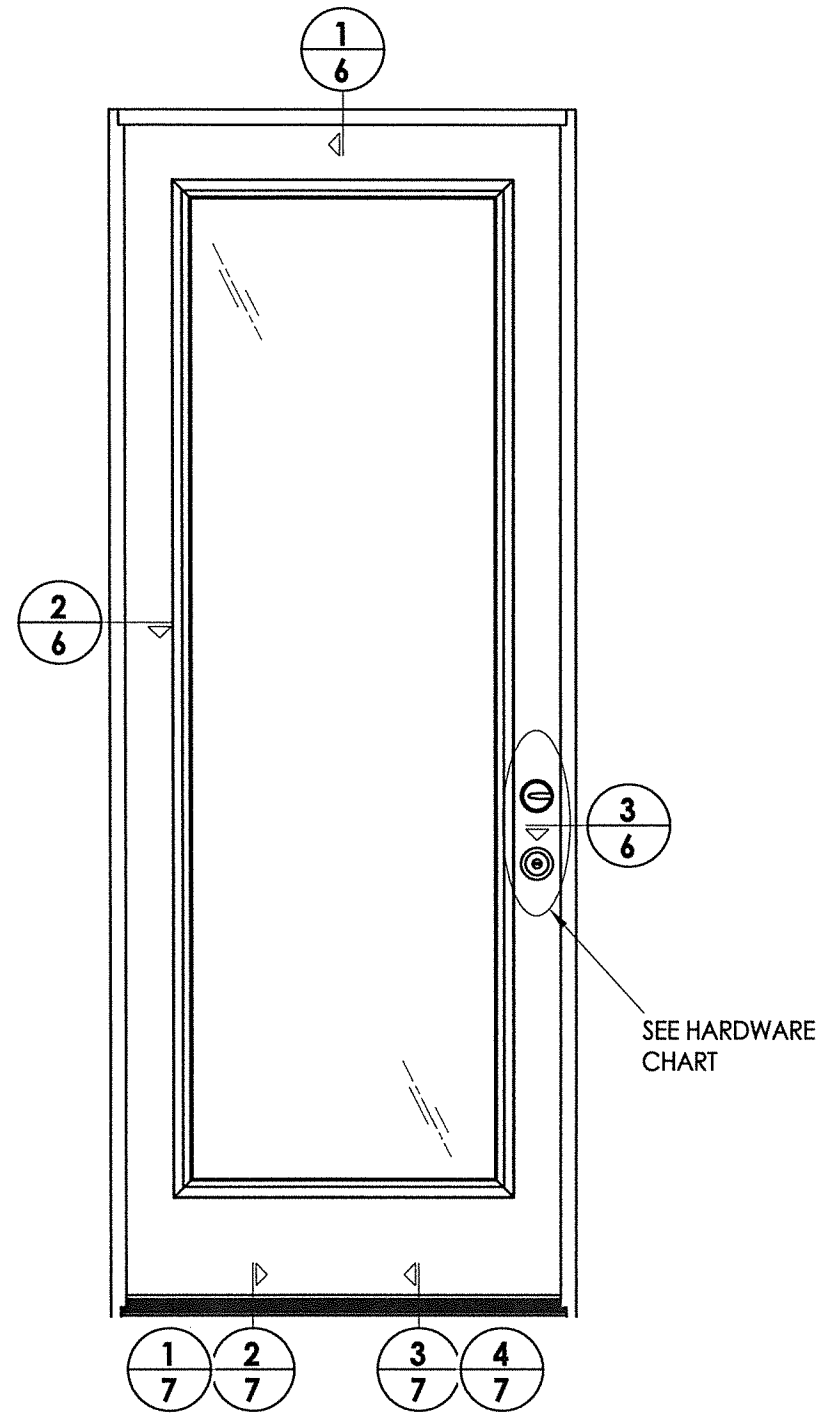


Documents Prepared By: Lyndon F. Schmidt, P.E.  
TEXAS P.E. #104123

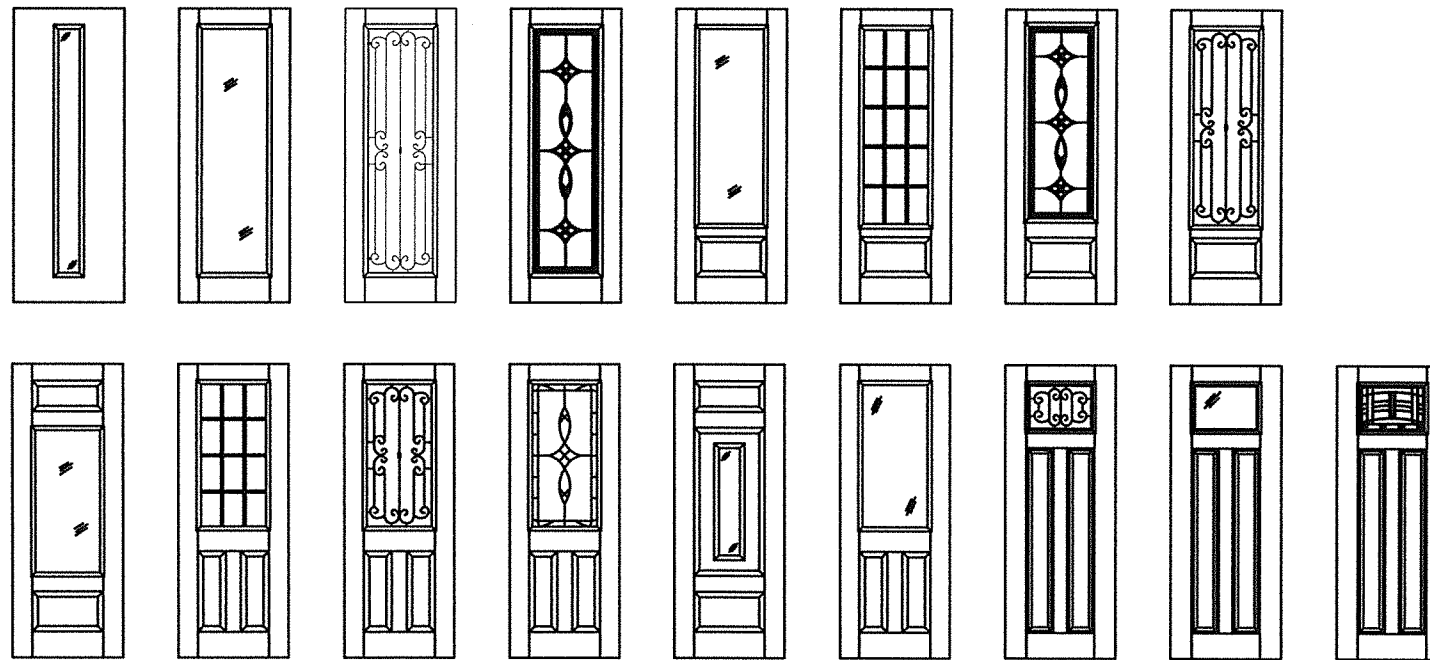
**RW** BUILDING CONSULTANTS, INC.  
P.O. Box 230 Valrico FL 33595  
Phone No.: 813.659.9197

CERTIFICATE OF REGISTRATION # F-11852

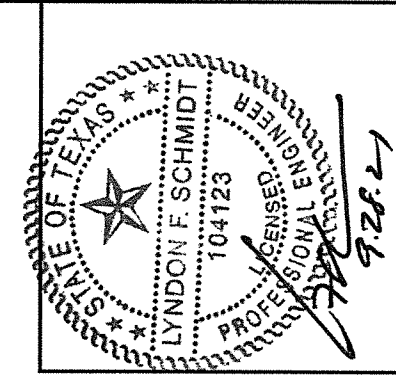
PRODUCT: THERMA-TRU FIBERGLASS DOOR													
PART OR ASSEMBLY: DOOR PANEL DETAILS													
DATE: 11/27/17	SCALE: N.T.S.												
DWG. BY: JK	CHK. BY: LFS												
DRAWING NO.: TX-4766	SHEET 4 OF 11												
<table border="1"> <thead> <tr> <th>NO.</th> <th>DATE</th> <th>DESCRIPTION</th> </tr> </thead> <tbody> <tr> <td>1</td> <td>9/27/21</td> <td>UPDATE TO 2018 IBC/IRC CODE</td> </tr> <tr> <td></td> <td></td> <td></td> </tr> <tr> <td></td> <td></td> <td></td> </tr> </tbody> </table>		NO.	DATE	DESCRIPTION	1	9/27/21	UPDATE TO 2018 IBC/IRC CODE						
NO.	DATE	DESCRIPTION											
1	9/27/21	UPDATE TO 2018 IBC/IRC CODE											



HARDWARE TABLE	
MANUFACTURER	MODEL
SCHLAGE	KNOB: F51 DEADBOLT: B60
KWIKSET	KNOB: SIGNATURE SERIES DEADBOLT: SIGNATURE SERIES (980)
HOPPE (THERMA-TRU)	MULTIPOINT : MPDGART (3 pt. Manual Tongue)



**Fiber-Classic/Smooth-Star Door Panel Options**  
 Panel options shown are for illustration and are representative only  
 (similar glazed panel configurations are allowed)



Documents Prepared By: Lyndon F. Schmidt, P.E.  
 TEXAS P.E. #104123

**RW** BUILDING CONSULTANTS, INC.  
 P.O. Box 230 Valrico FL 33595  
 Phone No.: 813.659.9197

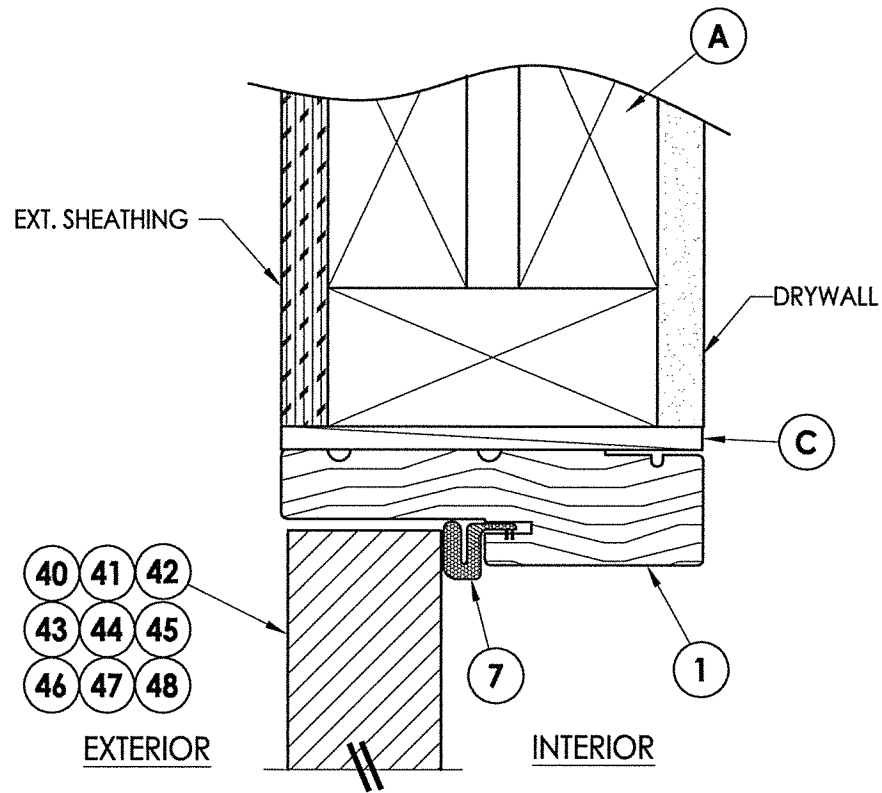
CERTIFICATE OF REGISTRATION # F-11852

PRODUCT: THERMA-TRU  
 FIBERGLASS DOOR

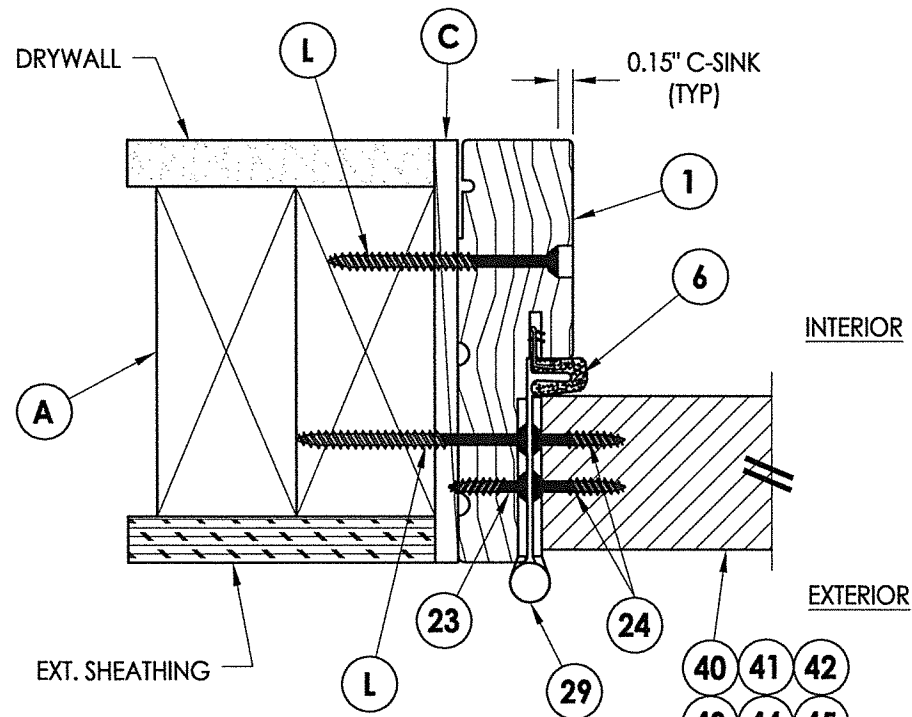
PART OR ASSEMBLY: ELEVATIONS

NO.	DATE	REVISIONS
1	9/27/21	UPDATE TO 2018 IBC/IRC CODE
		LFS
		BY

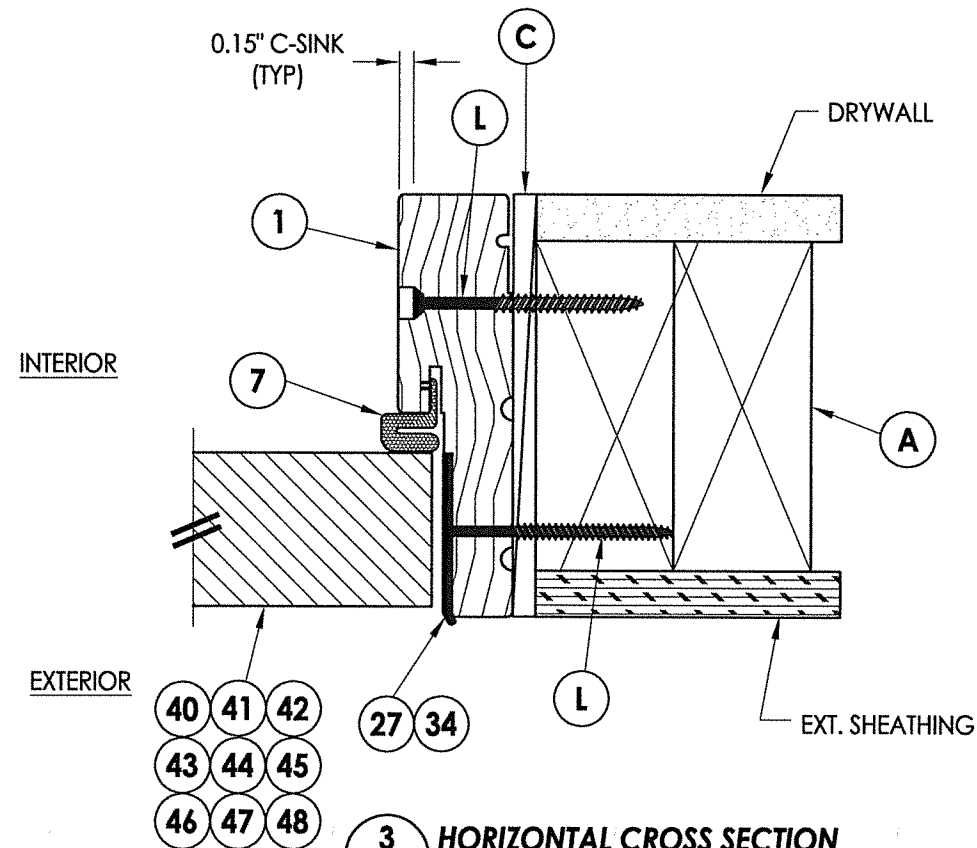
DATE: 11/27/17  
 SCALE: N.T.S.  
 DWG. BY: JK  
 CHK. BY: LFS  
 DRAWING NO.: TX-4766  
 SHEET 5 OF 11



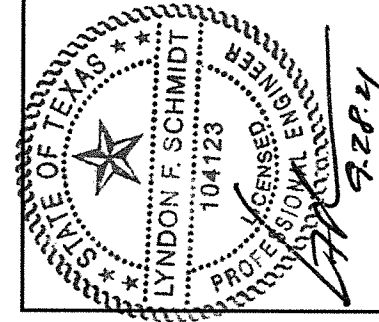
**1 VERTICAL CROSS SECTION**  
 6 Outswing shown (Inswing similar)



**2 HORIZONTAL CROSS SECTION**  
 6 Outswing shown (Inswing similar)



**3 HORIZONTAL CROSS SECTION**  
 6 Outswing shown (Inswing similar)



Documents Prepared By: Lyndon F. Schmidt, P.E.  
 TEXAS P.E. #104123

**RW** BUILDING CONSULTANTS, INC.  
 P.O. Box 230 Vairico FL 33595  
 Phone No.: 813.659.9197

CERTIFICATE OF REGISTRATION # F-11852

PRODUCT: THERMA-TRU FIBERGLASS DOOR  
 PART OR ASSEMBLY: HORIZONTAL & VERTICAL CROSS SECTIONS

NO.	DATE	DESCRIPTION	BY
1	9/27/21	UPDATE TO 2018 IBC/IRC CODE	LFS
REVISIONS			

DATE: 11/27/17

SCALE: N.T.S.

DWG. BY: JK

CHK. BY: LFS

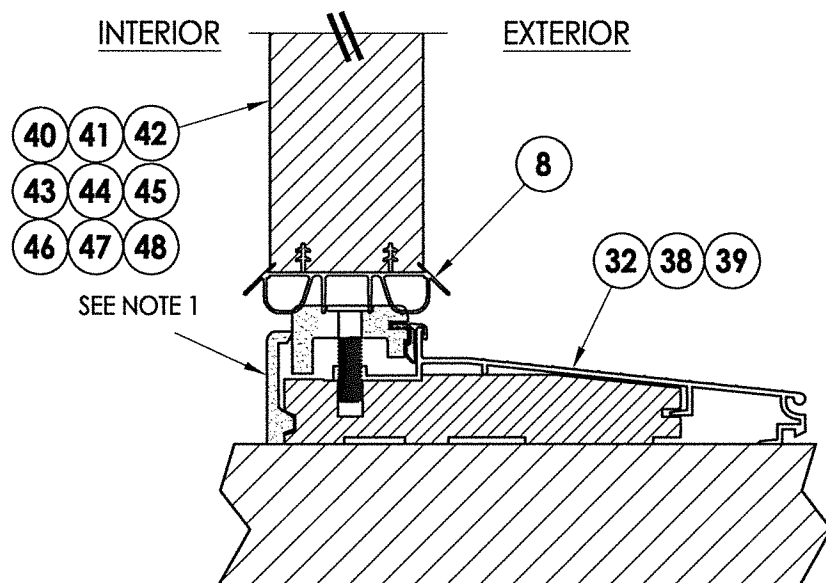
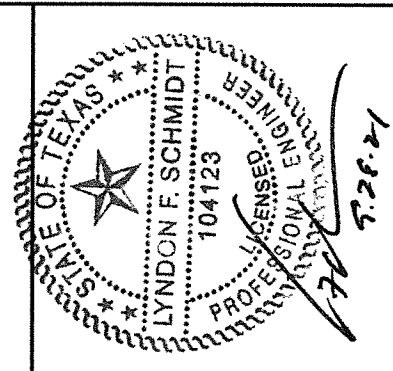
DRAWING NO.: TX-4766

SHEET 6 of 11

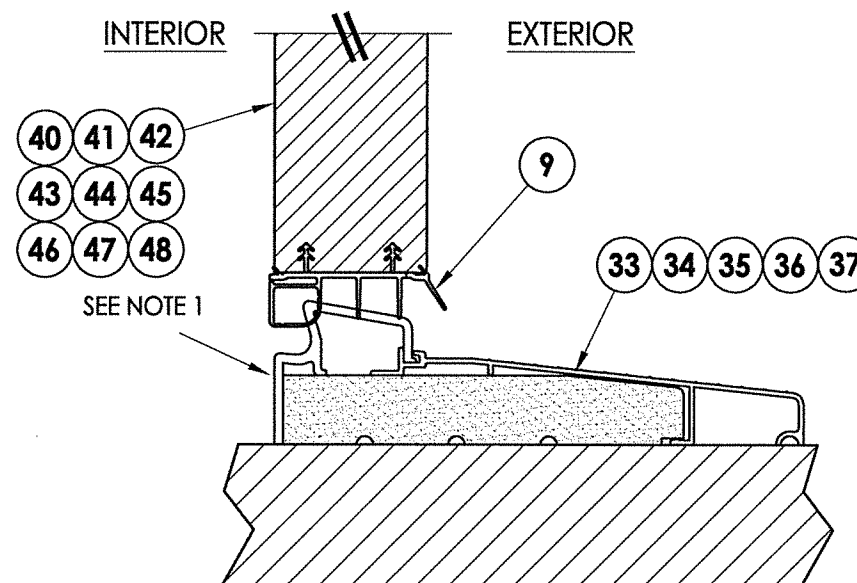
Z:\Clients\Therma Tru PERMANENT\B - Texas Dept of Ins\TDI - DR 946 - 6'8 & 8'0 Glazed Comp Edge Non-Impact (TX 4761 - 4770)\C - Drawings\TX-4766-68.dwg

**Notes:**

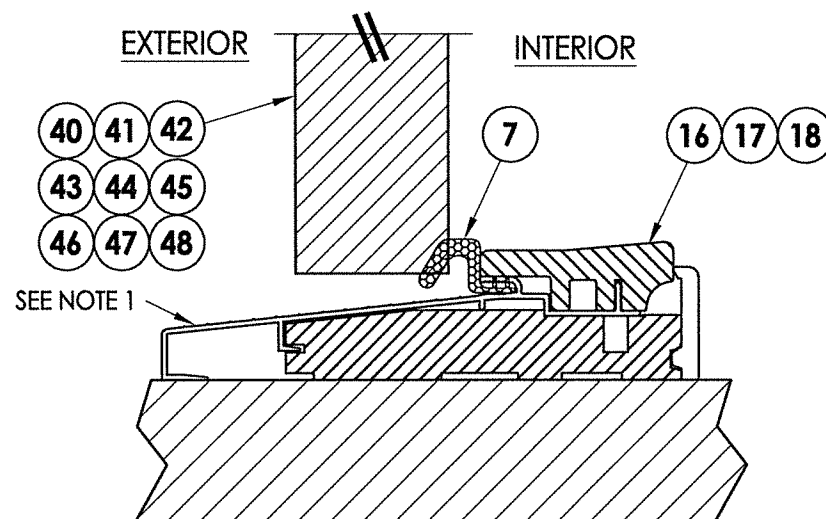
- 1. Sill Item #'s 16, 32, 33, 34, 35, 36, 37, 38 & 39 are attached to jambs w/ (3) #8 X 2-1/2" pfh screws at each end.
- Sill Item #'s 17 & 18 are attached to jambs w/ (2) #8 X 2-1/2" pfh screws at each end.
- Sill Item #15 is attached to jambs utilizing (2) #10 X 1-1/2" pph screws at each end.



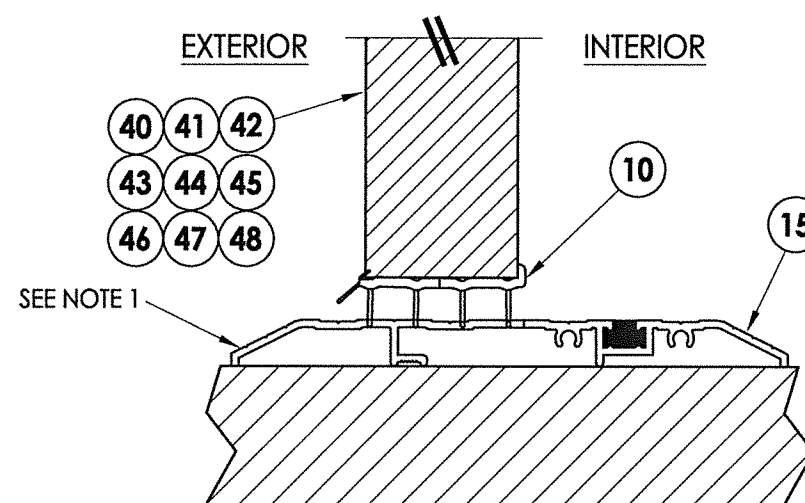
**1**  
**7** **VERTICAL CROSS SECTION**  
Inswing Sill



**2**  
**7** **VERTICAL CROSS SECTION**  
Inswing Sill



**3**  
**7** **VERTICAL CROSS SECTION**  
Outswing Sill (Coastal Sill Shown)



**4**  
**7** **VERTICAL CROSS SECTION**  
Public Access Sill

Documents Prepared By: Lyndon F. Schmidt, P.E.  
TEXAS P.E. #104123

**RW** BUILDING CONSULTANTS, INC.  
P.O. Box 230 Valrico FL 33595  
Phone No.: 813.659.9197

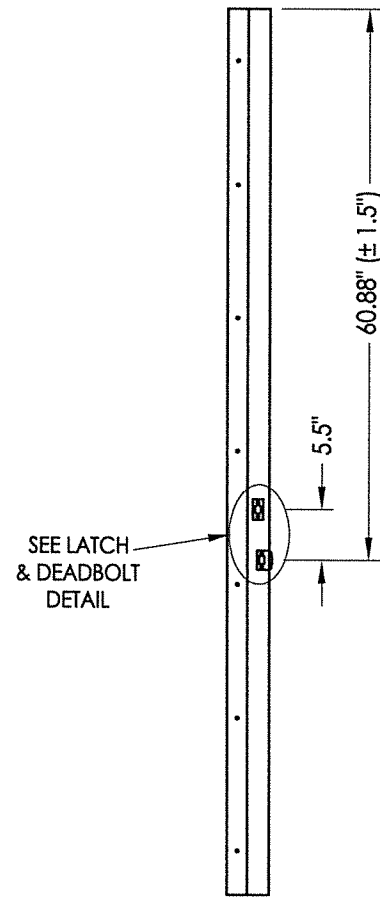
CERTIFICATE OF REGISTRATION # F-11852

PRODUCT: THERMA-TRU FIBERGLASS DOOR  
PART OR ASSEMBLY: VERTICAL CROSS SECTIONS (THRESHOLDS)

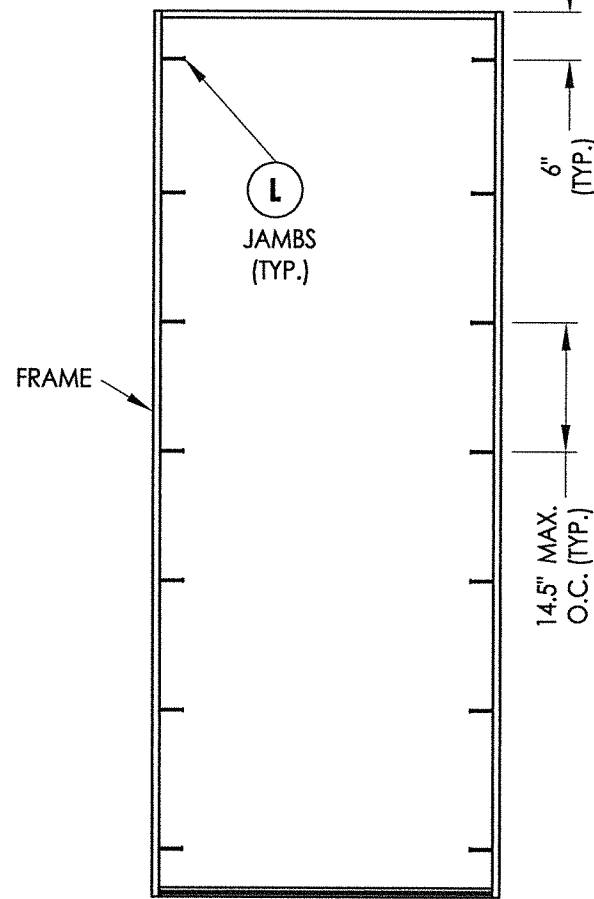
NO.	DATE	DESCRIPTION	BY
1	9/27/21	UPDATE TO 2018 IBC/IRC CODE	LFS

DATE: 11/27/17  
SCALE: N.T.S.  
DWG. BY: JK  
CHK. BY: LFS  
DRAWING NO.: TX-4766  
SHEET 7 OF 11

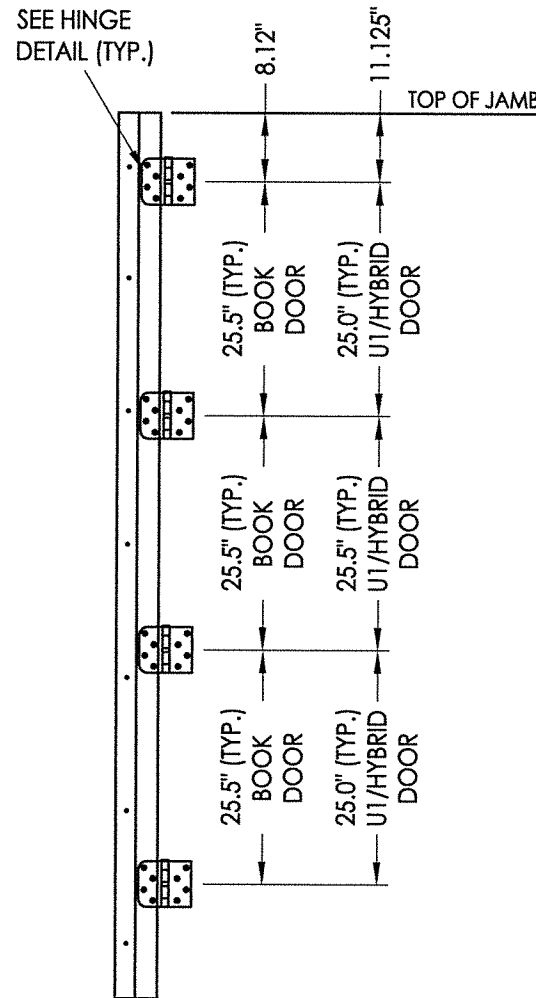
© 2017 R.W. BUILDING CONSULTANTS INC.



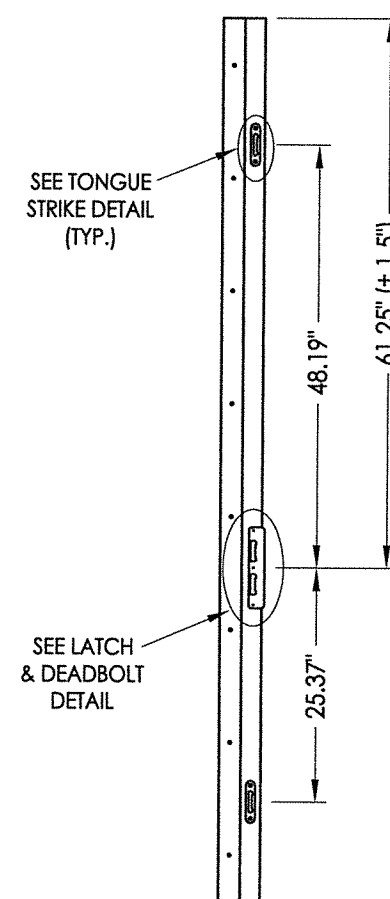
**STRIKE JAMB**  
Latch and Deadbolt



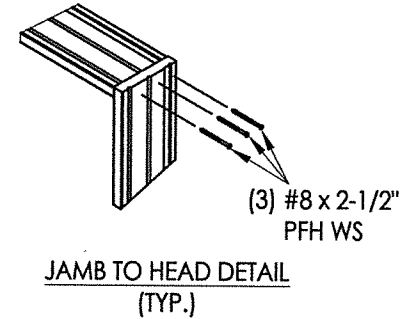
**X**  
**FRAME ANCHORING**



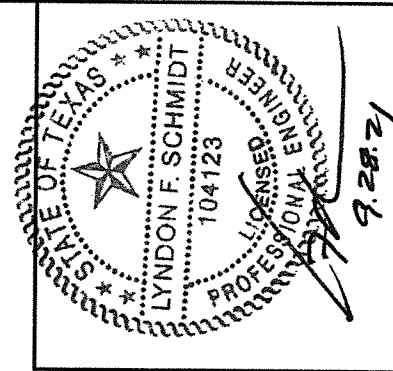
**HINGE JAMB**



**STRIKE JAMB**  
Multipoint Lock



**JAMB TO HEAD DETAIL**  
(TYP.)



Documents Prepared By: Lyndon F. Schmidt, P.E.  
TEXAS P.E. #104123

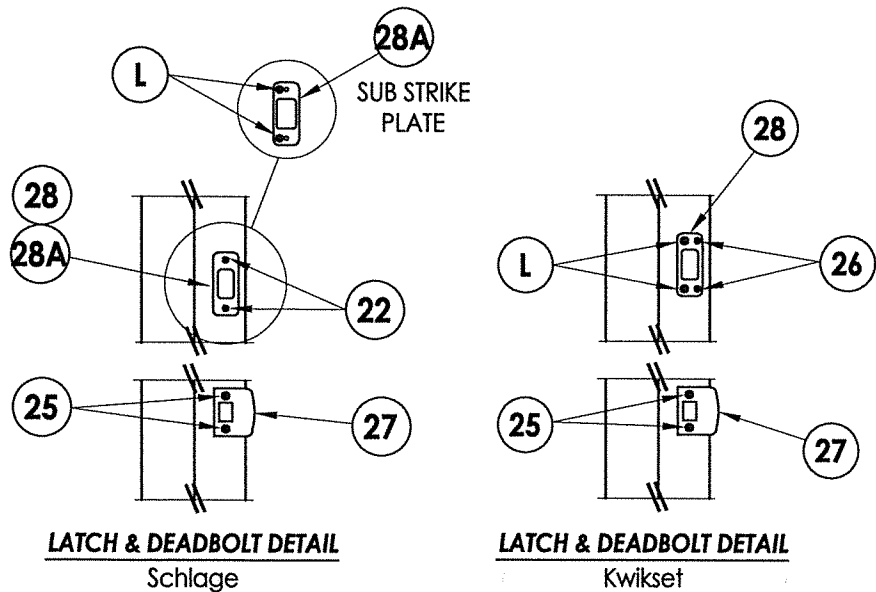
**RW** BUILDING CONSULTANTS, INC.  
P.O. Box 230 Vairico FL 33595  
Phone No.: 813.659.9197

CERTIFICATE OF REGISTRATION # F-11852

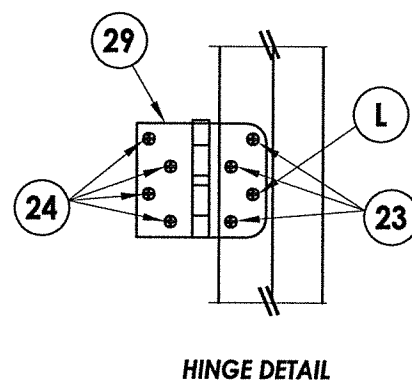
PRODUCT:	Therma-TRU FIBERGLASS DOOR
PART OR ASSEMBLY:	FRAME ANCHORING & HARDWARE DETAILS

NO.	DATE	DESCRIPTION	BY
1	9/27/21	UPDATE TO 2018 IBC/IRC CODE	LFS

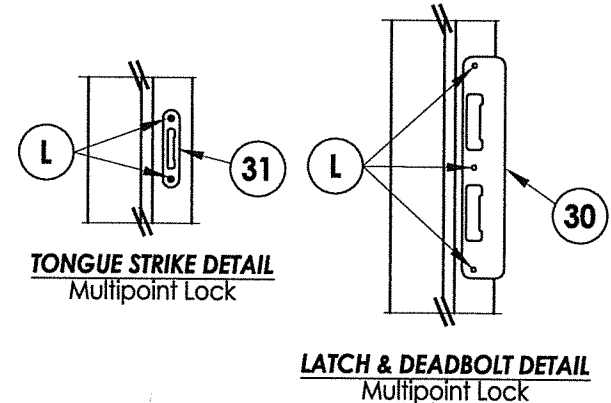
DATE:	11/27/17
SCALE:	N.T.S.
DWG. BY:	JK
CHK. BY:	LFS
DRAWING NO.:	TX-4766
SHEET	8 OF 11



**LATCH & DEADBOLT STRIKE DETAILS**  
(Standard Deadbolt Strike Plate)



**HINGE DETAIL**



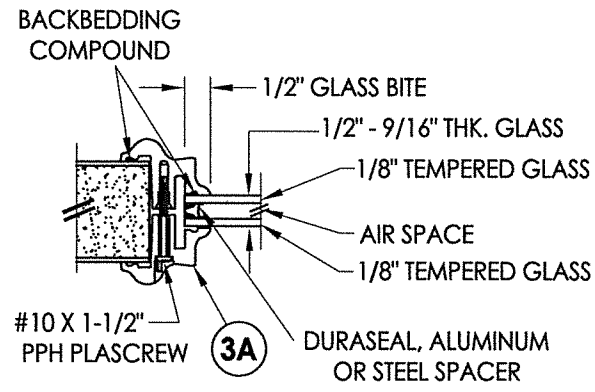
**TONGUE STRIKE DETAIL**  
Multipoint Lock

**LATCH & DEADBOLT DETAIL**  
Multipoint Lock

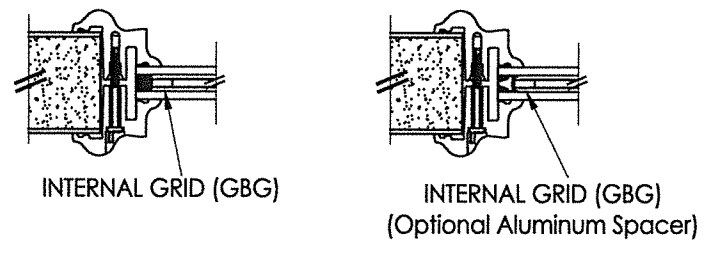
**MULTIPOINT LOCK STRIKE DETAILS**



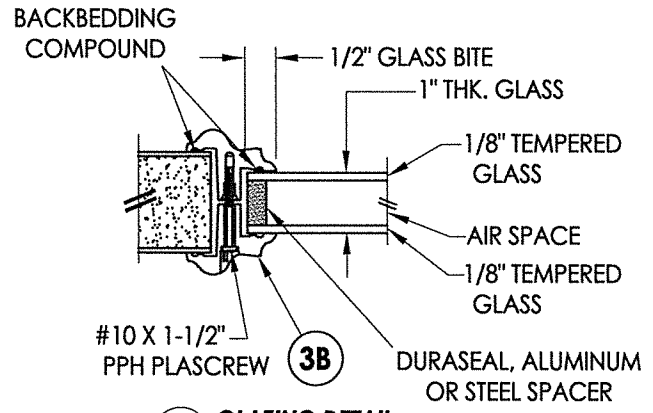
Z:\Clients\Therma Tru PERMANENT\B - Texas Dept of Ins\TDI - DR 946 - 6'8 & 8'0 Glazed Comp Edge Non-Impact (TX 4761 - 4770)\C - Drawings\TX-4766-68.dwg



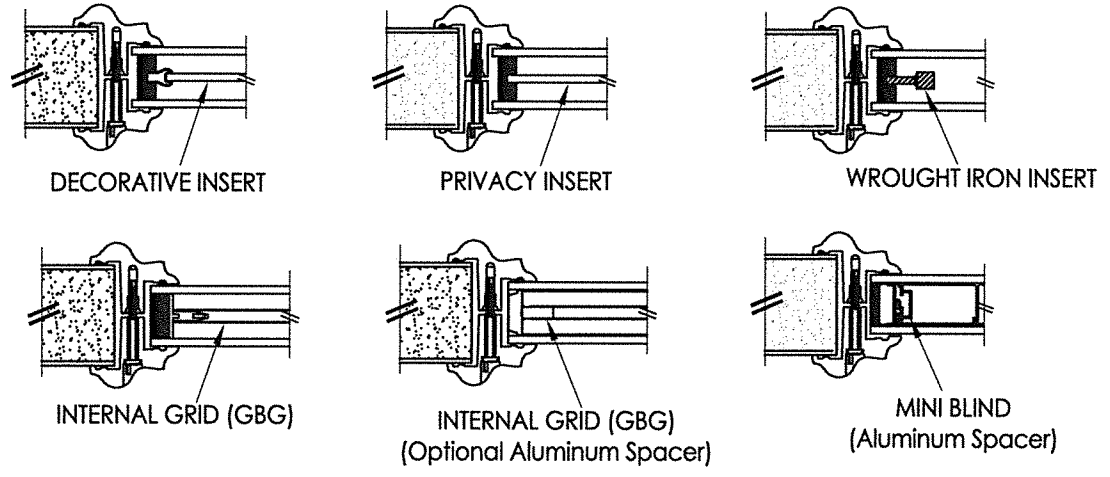
**G1 GLAZING DETAIL**  
BTS Lite Frame  
Door Panels



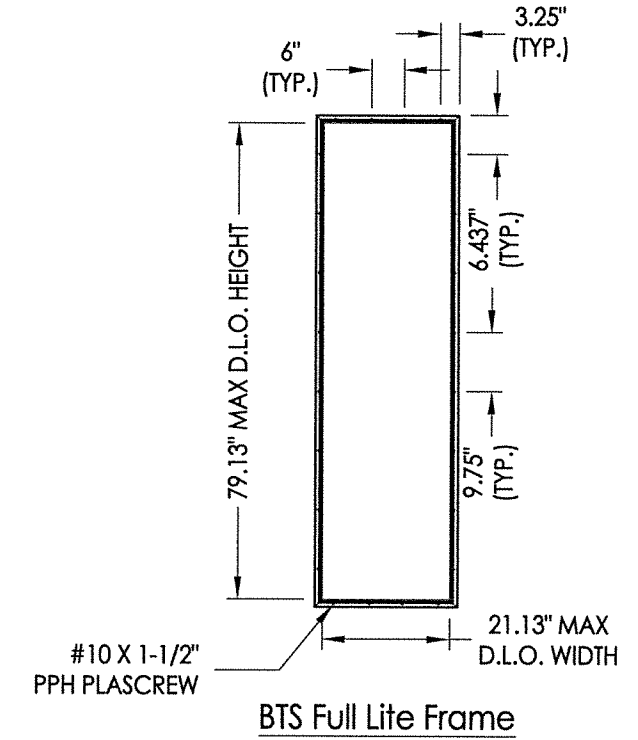
9/16" INSULATED GLASS INSERT OPTIONS



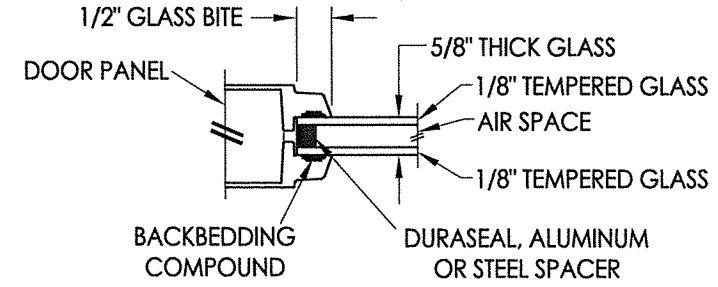
**G2 GLAZING DETAIL**  
BTS Lite Frame  
Door Panels



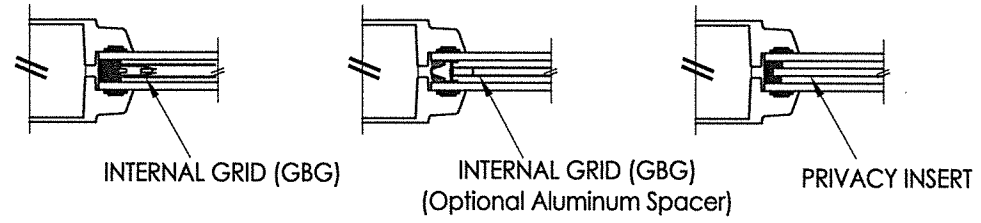
1" INSULATED GLASS INSERT OPTIONS



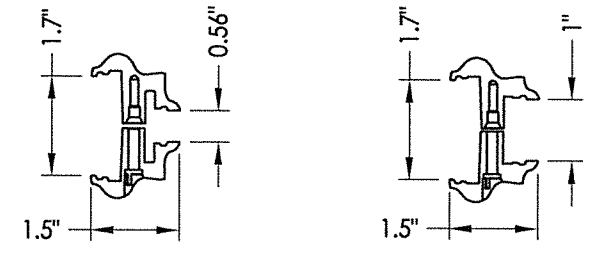
BTS Full Lite Frame



**G3 GLAZING DETAIL**  
Flush Glazing  
Door Panels

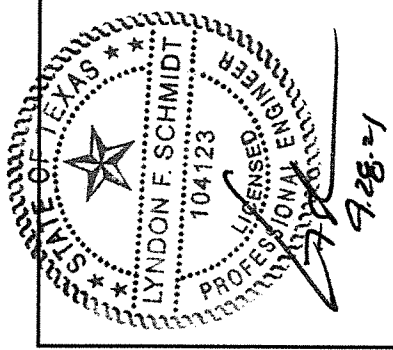


5/8" INSULATED GLASS INSERT OPTIONS



**3A BTS LITE FRAME**  
1/2" & 9/16" Glazing

**3B BTS LITE FRAME**  
1" Glazing



Documents Prepared By: Lyndon F. Schmidt, P.E.  
TEXAS P.E. #104123

**RW** BUILDING CONSULTANTS, INC.  
P.O. Box 230 Valrico FL 33595  
Phone No.: 813.659.9197

CERTIFICATE OF REGISTRATION # F-11852

PRODUCT: THERMA-TRU FIBERGLASS DOOR

PART OR ASSEMBLY: GLAZING DETAILS

NO.	DATE	BY	REVISIONS
1	9/27/21	LFS	UPDATE TO 2018 IBC/IRC CODE

DATE: 11/27/17

SCALE: N.T.S.

DWG. BY: JK

CHK. BY: LFS

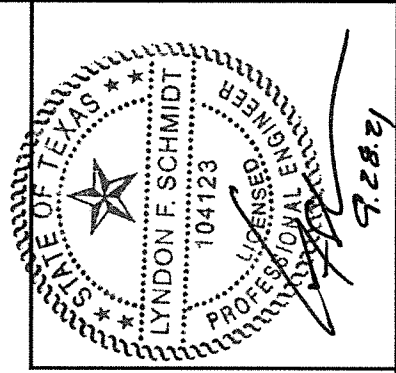
DRAWING NO.: TX-4766

SHEET 9 OF 11



**BILL OF MATERIALS**

ITEM #	DESCRIPTION	MATERIAL
A	2X FRAMING (SG >= 0.42)	WOOD
C	1/4" MAX. SHIM SPACE	-
L	#10 X 2-1/2" PFH WOOD SCREW (1.15" MIN. EMBEDMENT)	STEEL
1	JAMB (FINGER JOINT PINE)	WOOD
6	WEATHERSTRIP (MEDIUM REACH)	FOAM
7	WEATHERSTRIP (LONG REACH)	FOAM
8	SWEEP	VINYL
9	SWEEP (USE w/ MODERATE CLIMATE THRESHOLD)	VINYL
10	SWEEP (USE w/ PUBLIC ACCESS THRESHOLD)	VINYL
15	PUBLIC ACCESS THRESHOLD	ALUM
16	OUTSWING THRESHOLD	ALUM/COMP
17	OUTSWING THRESHOLD	ALUM/COMP
18	OUTSWING THRESHOLD	ALUM/COMP
22	#8 x 3/4" PFH WOOD SCREW	STEEL
23	#10 x 3/4" PFH WOOD SCREW	STEEL
24	#10 x 1" PFH WOOD SCREW	STEEL
25	#8 x 2-1/2" PFH WOOD SCREW	STEEL
26	#8 x 5/8" PFH WOOD SCREW	STEEL
27	LATCH STRIKE PLATE	STEEL
28	DEADBOLT SUB STRIKE PLATE	STEEL
28A	DEADBOLT SUB STRIKE PLATE	STEEL
29	4" X 4" HINGE	STEEL
30	LATCH & DEADBOLT STRIKE PLATE (TONGUE SYSTEM)	ALUM/COMP
31	MULTIPOINT STRIKE PLATE (TONGUE SYSTEM)	ALUM/COMP
32	INSWING THRESHOLD	ALUM/COMP
33	INSWING THRESHOLD	ALUM/COMP
34	INSWING THRESHOLD	ALUM/COMP
35	INSWING THRESHOLD	ALUM/COMP
36	INSWING THRESHOLD	ALUM/COMP
37	INSWING THRESHOLD	ALUM/COMP
38	INSWING THRESHOLD	ALUM/COMP
39	INSWING THRESHOLD	ALUM/COMP
40	DOOR PANEL (BOOK)	-
41	DOOR PANEL (HYBRID)	-
42	DOOR PANEL (U1)	-



Documents Prepared By: Lyndon F. Schmidt, P.E.  
TEXAS P.E. #104123

**RW** BUILDING CONSULTANTS, INC.  
P.O. Box 230 Valrico, FL 33595  
Phone No.: 813.659.9197

CERTIFICATE OF REGISTRATION # F-11852

PRODUCT: THERMA-TRU FIBERGLASS DOOR  
PART OR ASSEMBLY: BILL OF MATERIALS

NO.	DATE	DESCRIPTION	BY
1	9/27/21	UPDATE TO 2018 IBC/IRC CODE	LFS

DATE: 11/27/17  
SCALE: N.T.S.  
DWG. BY: JK  
CHK. BY: LFS  
DRAWING NO.: TX-4766  
SHEET 11 OF 11