

THERMA TRU[®] DOORS

Fiber-Classic[®] & Smooth-Star[®]

COMPOSITE EDGE GLAZED FIBERGLASS SINGLE DOOR w/ SIDELITE(S) IN SWING/OUT SWING "IMPACT"

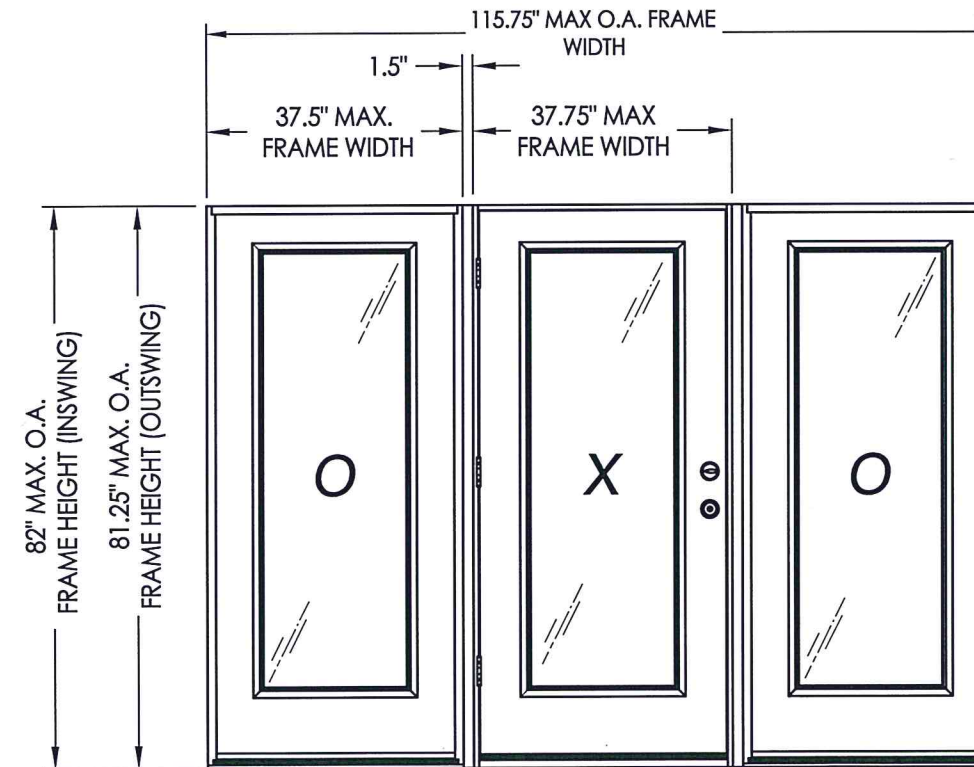
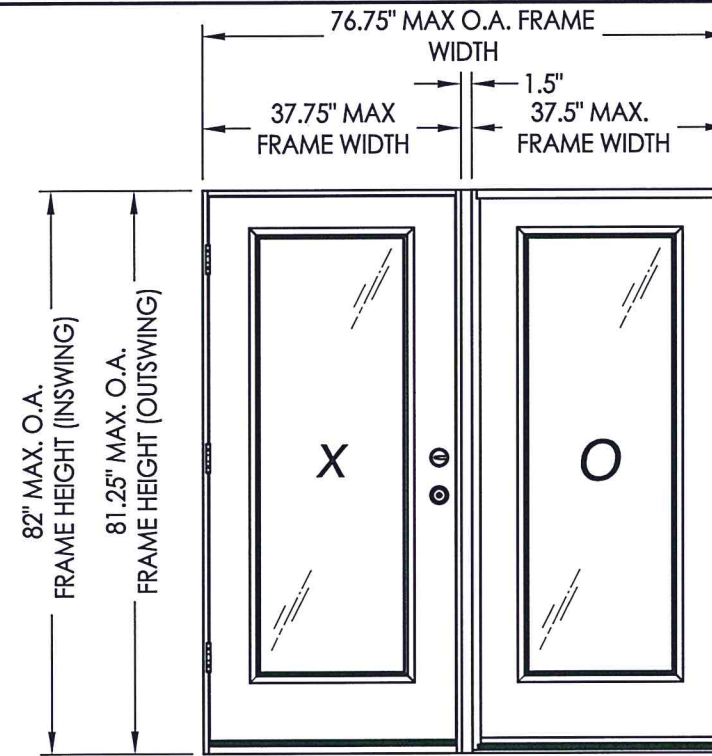
EVALUATED FOR USE IN THE STATE OF TEXAS

The Fiberglass Door described herein complies with the 2006 International Residential Code (IRC), Sections R301 & R613 and the 2006 International Building Code (IBC), Sections 1405.12, 1609, 1714.5, 2403 and 2404 (including Texas revisions) subject to the following conditions:

1. Anchors shall be as listed and spaced as shown in the details. Anchor embedment to base material shall be beyond wall dressing or stucco.
2. This product has been tested and evaluated as a large missile impact protective system for installation in the Seaward, Inland I and Inland II areas. The glazed door & sidelites meet missile level "D" as defined in ASTM E 1996.
3. Allowable design pressure requirements must be equal to or less than the design pressure rating shown in the design pressure chart, sheet 1 of this drawing.
4. Conditions not covered by this drawing are subject to further engineering analysis.
5. Fiber-Classic and Smooth-Star Door and Sidelite panels require the use of "J" part numbers. These door and sidelite panels must be stained or painted within six months of installation.

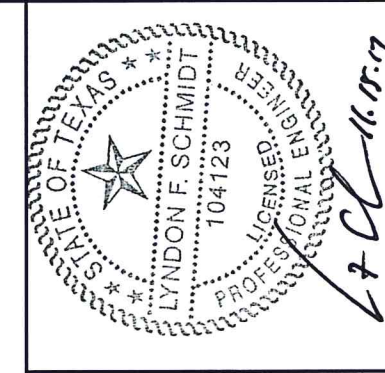
TABLE OF CONTENTS

SHEET #	DESCRIPTION
1	Typical Elevations, Design Pressures & General Notes
2	Door Panel Details
3	Sidelite Panel Details
4	Elevations
5	Horizontal & Vertical Cross Sections
6	Vertical Cross Sections (Thresholds)
7	Frame Anchoring
8	Hardware Details
9	Glazing Details
10	Components
11	Bill of Materials



CONFIGURATION	DESIGN PRESSURE (PSF) IN SWING		DESIGN PRESSURE (PSF) OUT SWING	
	POSITIVE	NEGATIVE	POSITIVE	NEGATIVE
XO/OX, OXO	+47.0	-50.0	+50.0	-50.0

See Sheet 4 for Hardware Specifications



Documents Prepared By: Lyndon F. Schmidt, P.E.
TEXAS P.E. #104123

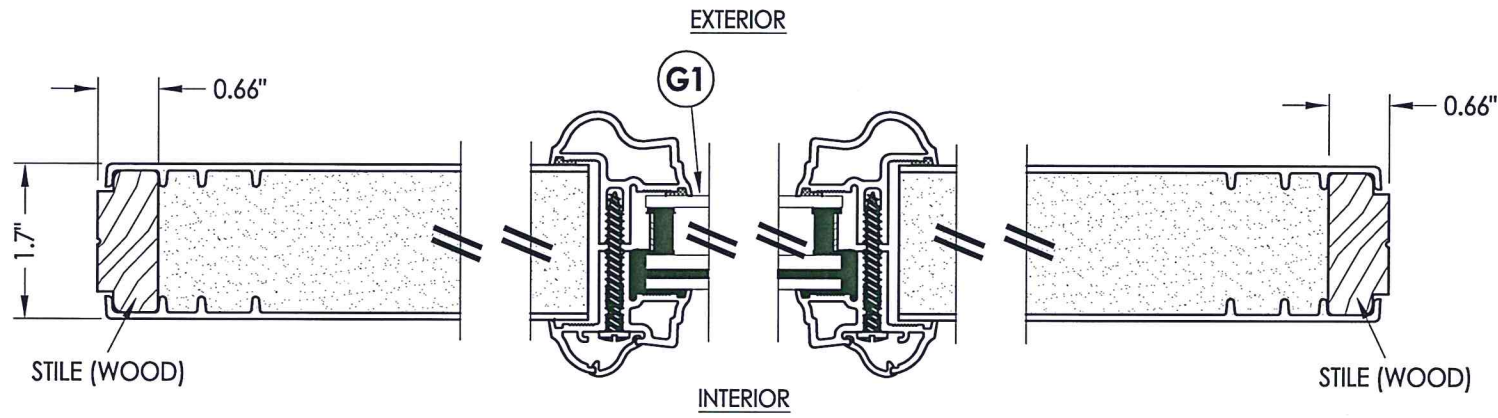
RW BUILDING CONSULTANTS, INC.
P.O. Box 230 Vairico FL 33595
Phone No.: 813.659.9197

CERTIFICATE OF REGISTRATION # F-11852

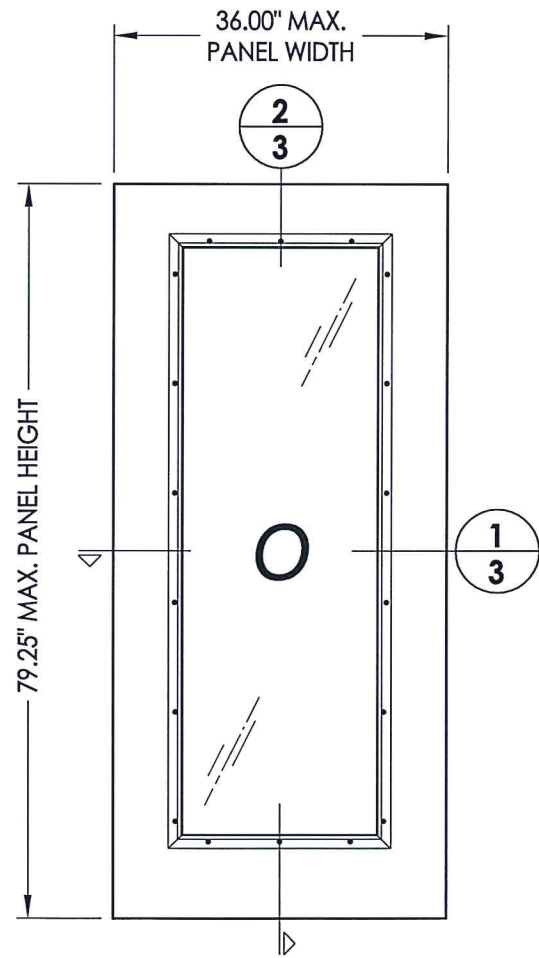
PRODUCT: THERMA-TRU
FIBERGLASS DOOR
PART OR ASSEMBLY:
TYPICAL ELEVATION, DESIGN
PRESSURES & GENERAL NOTES

NO.	DATE	BY	REVISIONS

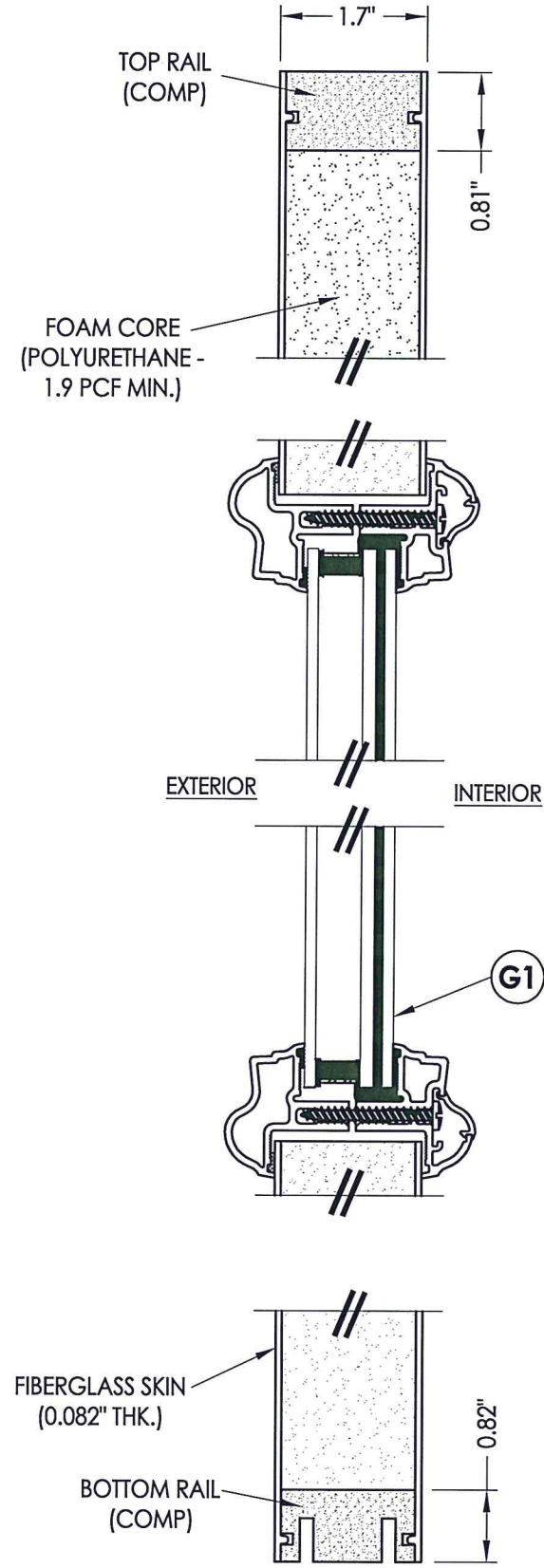
DATE: 10/24/17
SCALE: N.T.S.
DWG. BY: JK
CHK. BY: LFS
DRAWING NO.: TX-4730
SHEET 1 OF 11



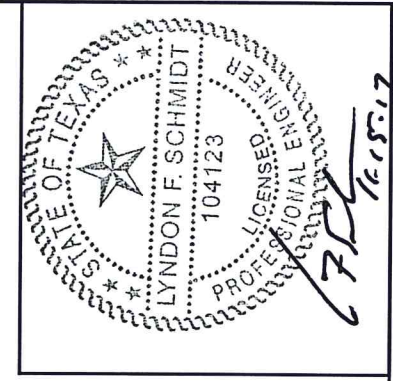
1
3 HORIZONTAL CROSS SECTION



50 SIDELITE PANEL



2
3 VERTICAL CROSS SECTION



Documents Prepared By: Lyndon F. Schmidt, P.E.
TEXAS P.E. #104123

RW BUILDING CONSULTANTS, INC.
P.O. Box 230 Valrico FL, 33595
Phone No.: 813.659.9197

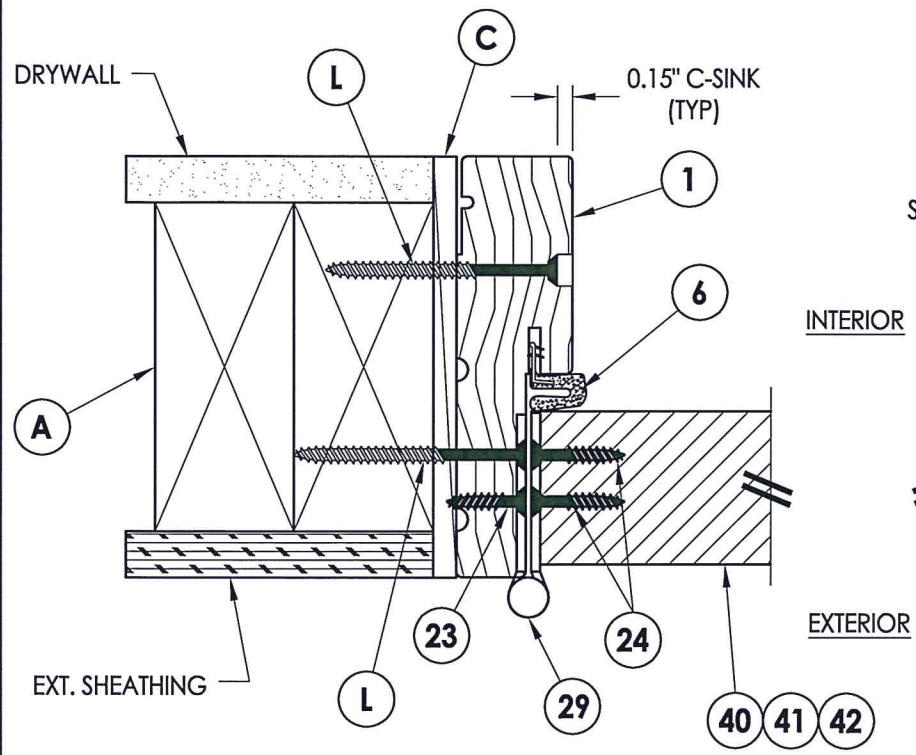
CERTIFICATE OF REGISTRATION # F-11852

PRODUCT: THERMA-TRU
FIBERGLASS DOOR
PART OR ASSEMBLY:
SIDELITE PANEL DETAILS

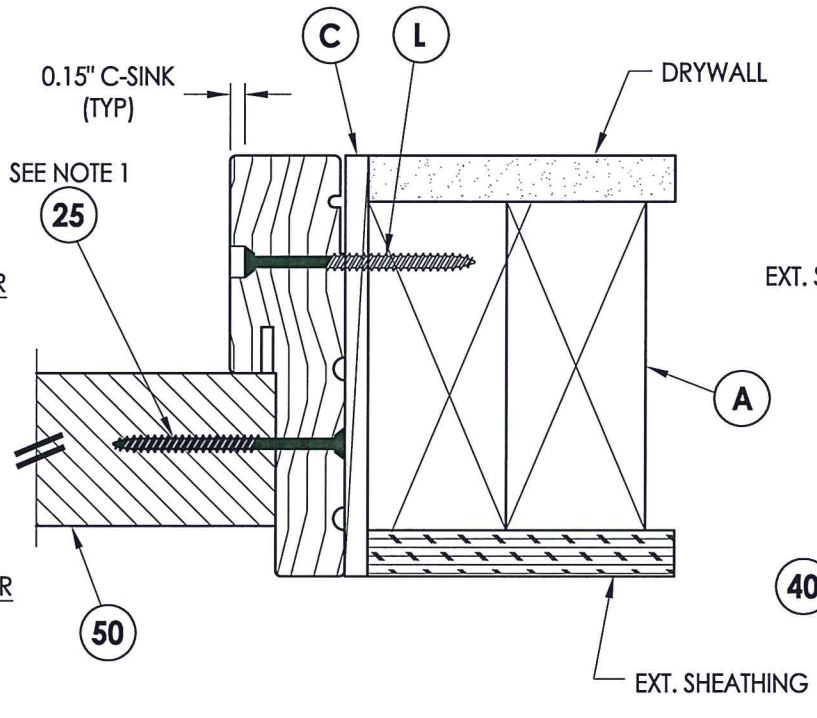
NO.	DATE	BY	REVISIONS

DATE: 10/24/17
SCALE: N.T.S.
DWG. BY: JK
CHK. BY: LFS
DRAWING NO.: TX-4730
SHEET 3 OF 11

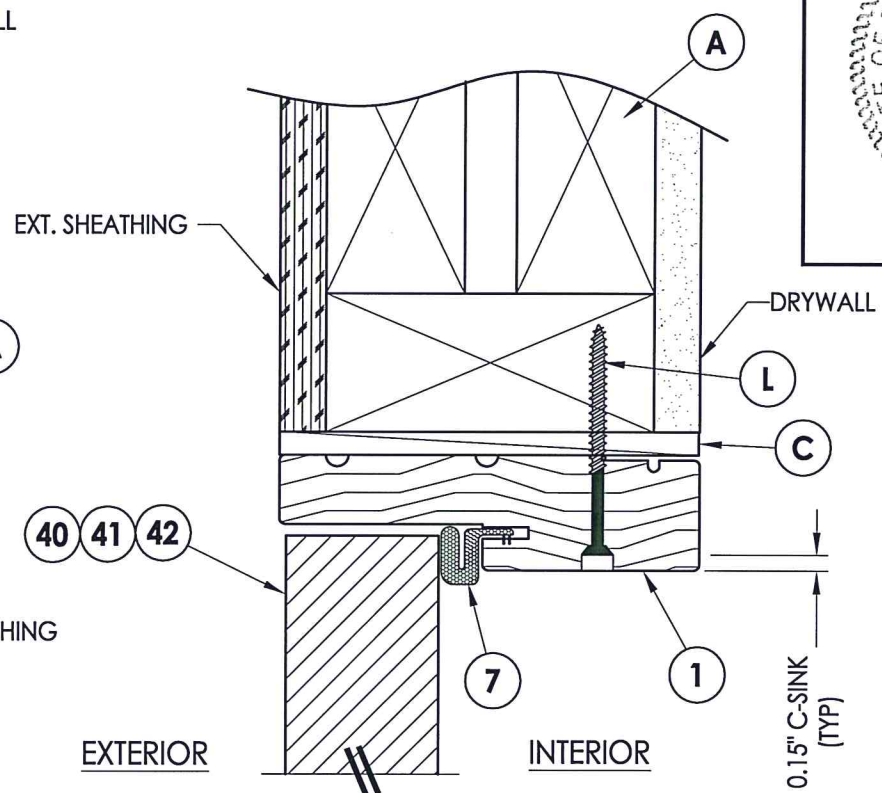
R:\Clients\Therma Tru PERMANENT\B - Texas Dept of Ins\TDI - DR-XXX - 68 & 80 Glazed Comp Edge Impact\C - Drawings\TX-4729-31.dwg, 5.2



1 **HORIZONTAL CROSS SECTION**
5 Shown w/ 2X Buck
 Outswing shown (Inswing similar)



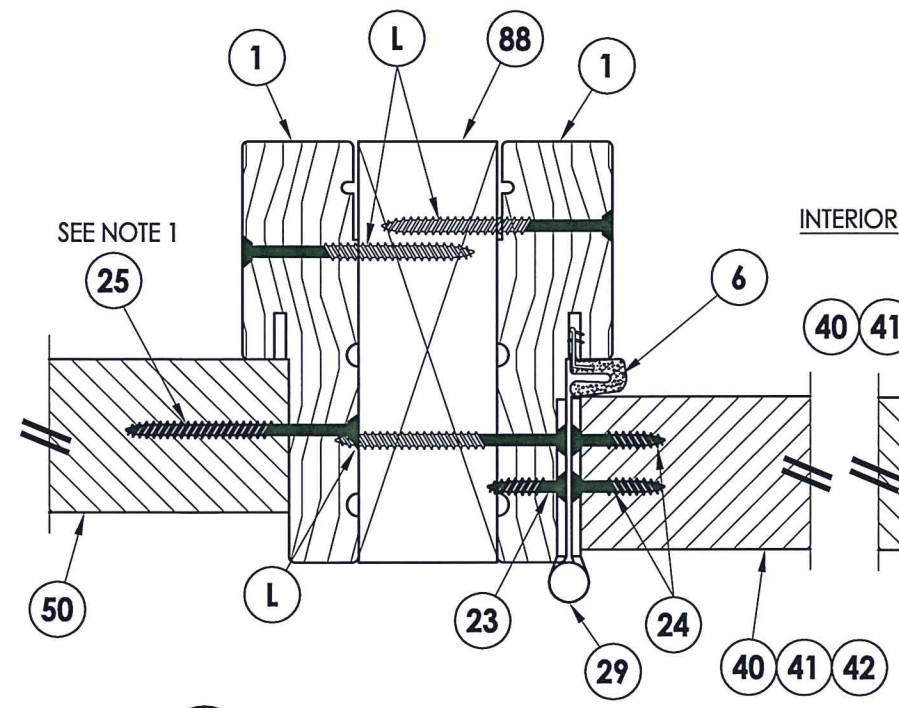
2 **HORIZONTAL CROSS SECTION**
5 Shown w/ 2X Buck
 Outswing shown (Inswing similar)



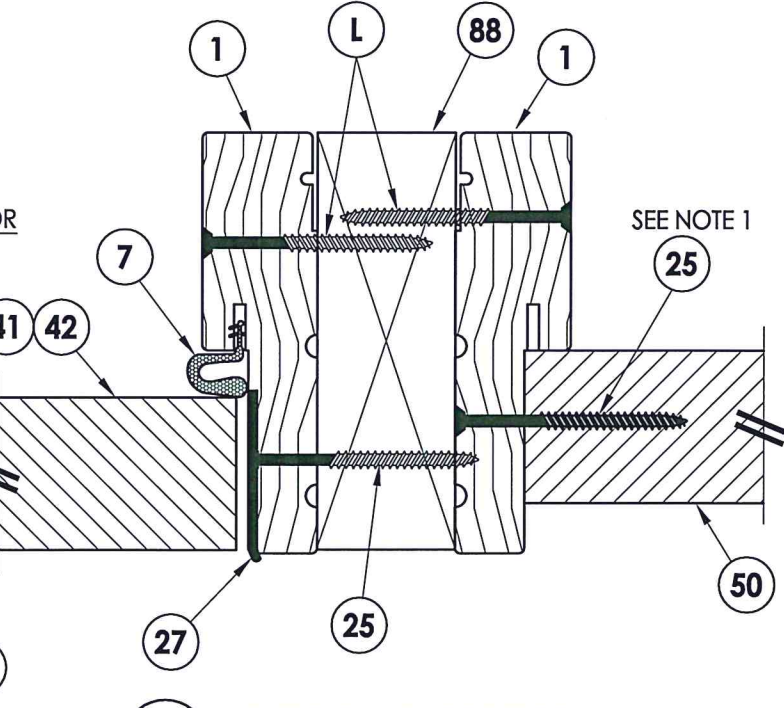
3 **VERTICAL CROSS SECTION**
5 Shown w/ 2X Buck
 Outswing shown (Inswing similar)

Notes:

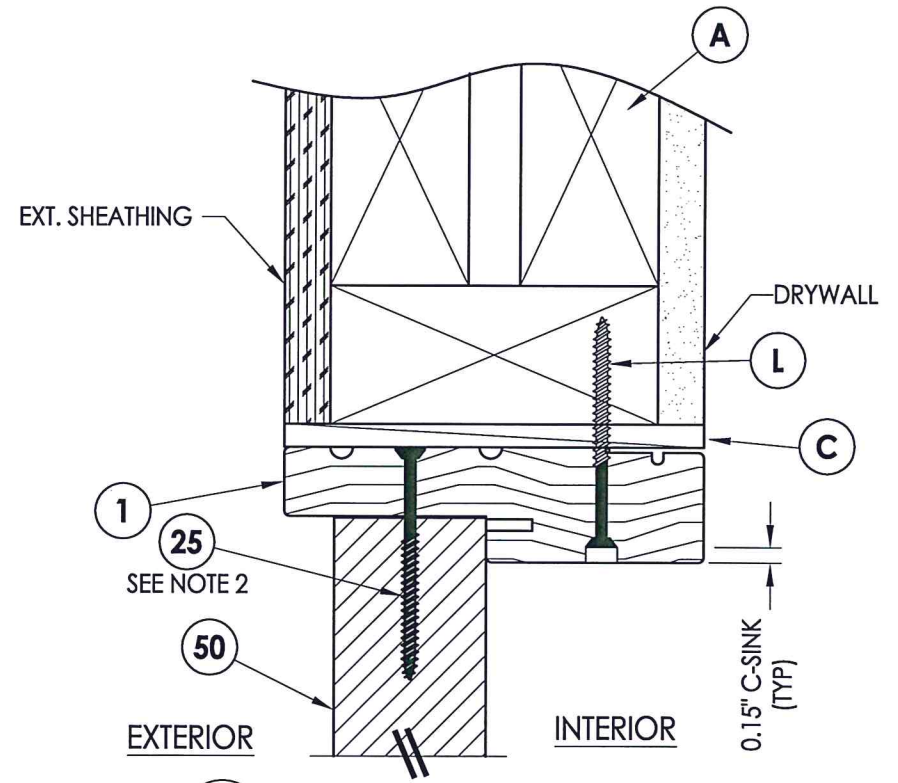
- Sidelite assembly screws located 6" from each end and 5 more screws equally spaced between (7 screws total per side jamb).
- Sidelite assembly screws located 3" from each end & at centerline (3 screws along head jamb).



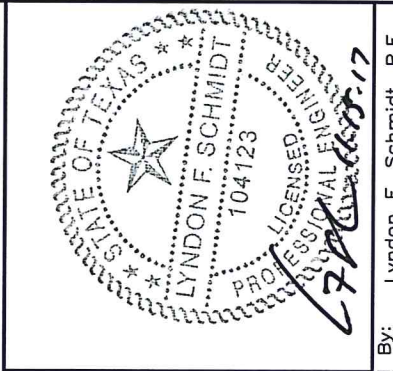
5 **HORIZONTAL CROSS SECTION**
5 Outswing shown (Inswing similar)



6 **HORIZONTAL CROSS SECTION**
5 Outswing shown (Inswing similar)



4 **VERTICAL CROSS SECTION**
5 Shown w/ 2X Buck
 Outswing shown (Inswing similar)

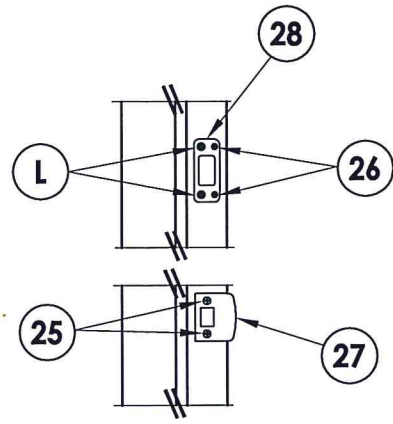


Documents Prepared By: Lyndon F. Schmidt, P.E.
 TEXAS P.E. #104123
RW BUILDING CONSULTANTS, INC.
 P.O. Box 230 Valrico FL, 33595
 Phone No.: 813.659.9197
 CERTIFICATE OF REGISTRATION # F-11852

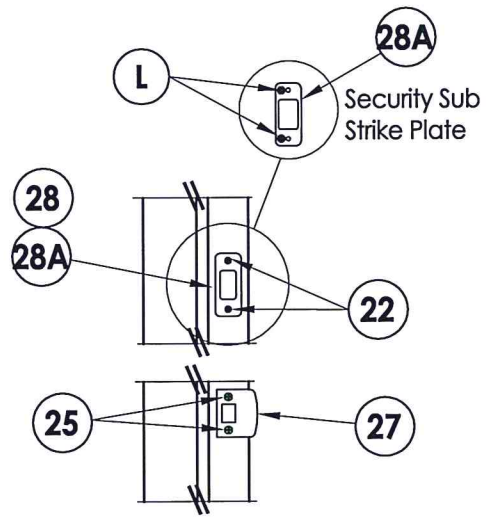
PRODUCT: THERMA-TRU
 FIBERGLASS DOOR
 PART OR ASSEMBLY:
 HORIZONTAL & VERTICAL
 CROSS SECTIONS

NO.	DATE	BY	REVISIONS

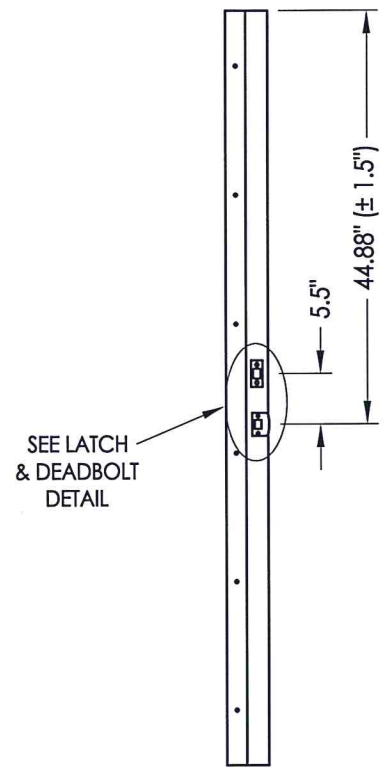
DATE: 10/24/17
 SCALE: N.T.S.
 DWG. BY: JK
 CHK. BY: LFS
 DRAWING NO.: TX-4730
 SHEET 5 OF 11



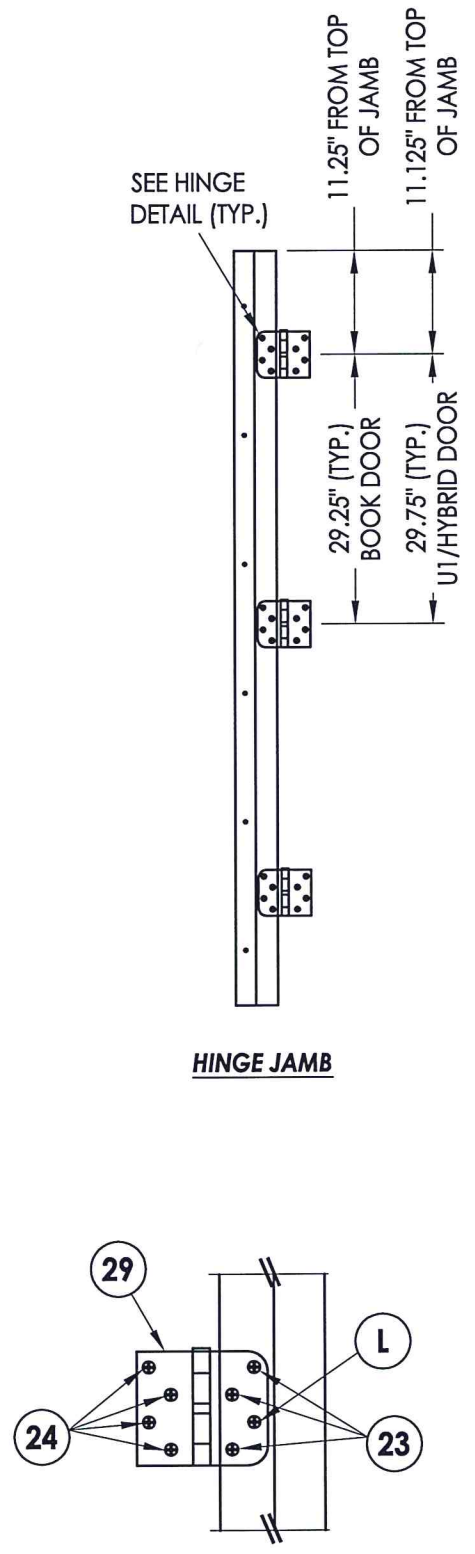
LATCH & DEADBOLT DETAIL
Kwikset



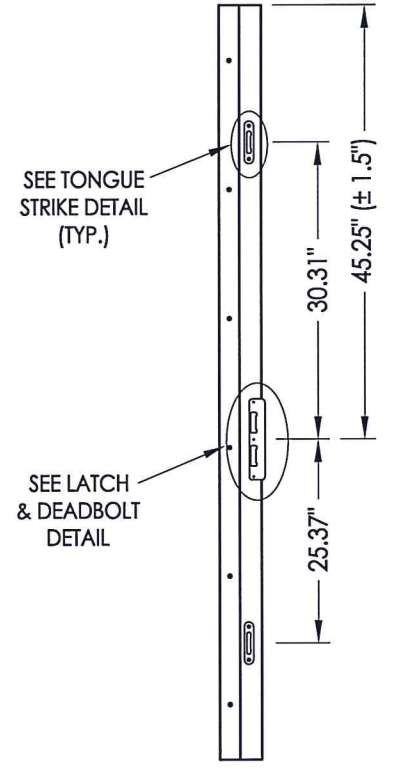
LATCH & DEADBOLT DETAIL
Schlage



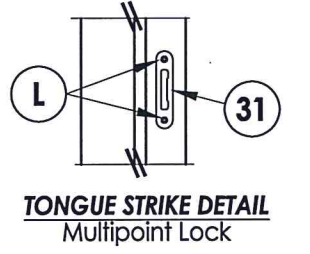
STRIKE JAMB
Latch and Deadbolt



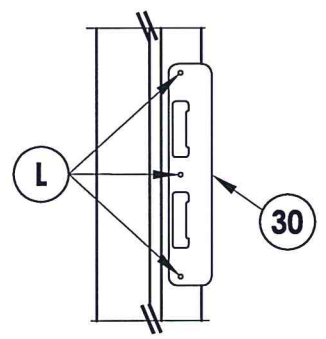
HINGE DETAIL



STRIKE JAMB
Multipoint Lock



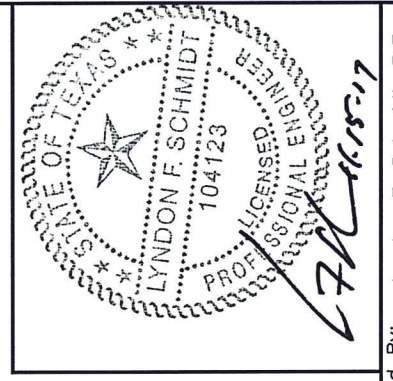
TONGUE STRIKE DETAIL
Multipoint Lock



LATCH & DEADBOLT DETAIL
Multipoint Lock

MULTIPOINT LOCK STRIKE DETAILS

LATCH & DEADBOLT STRIKE DETAILS



Documents Prepared By: Lyndon F. Schmidt, P.E.
TEXAS P.E. #104123

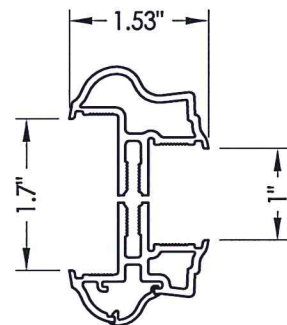
RW BUILDING CONSULTANTS, INC.
P.O. Box 230 Valrico FL 33595
Phone No.: 813.659.9197

CERTIFICATE OF REGISTRATION # F-11852

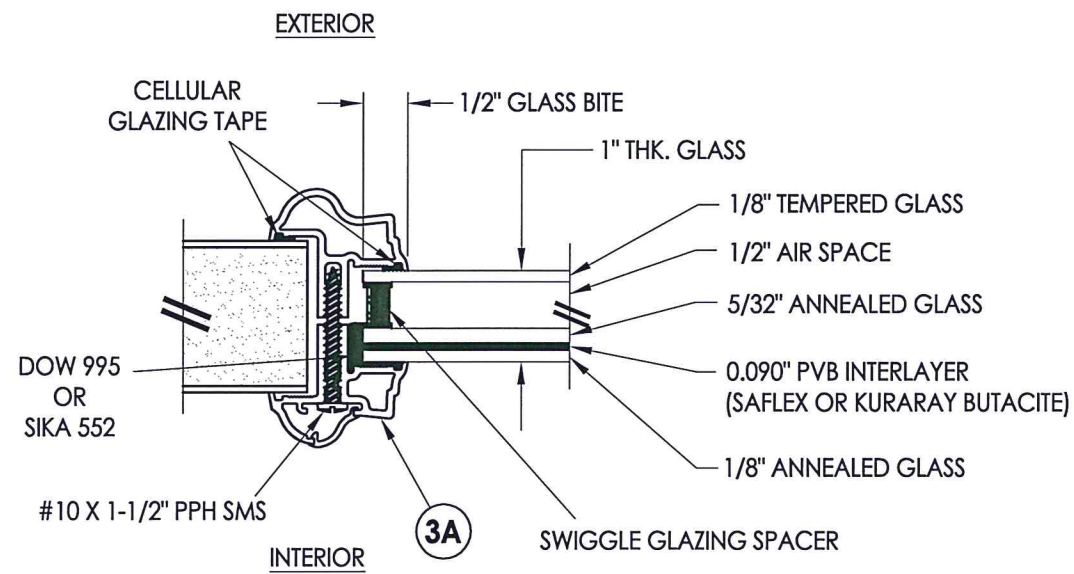
PRODUCT:	Therma-TRU FIBERGLASS DOOR
PART OR ASSEMBLY:	HARDWARE DETAILS

NO.	DATE	BY	REVISIONS

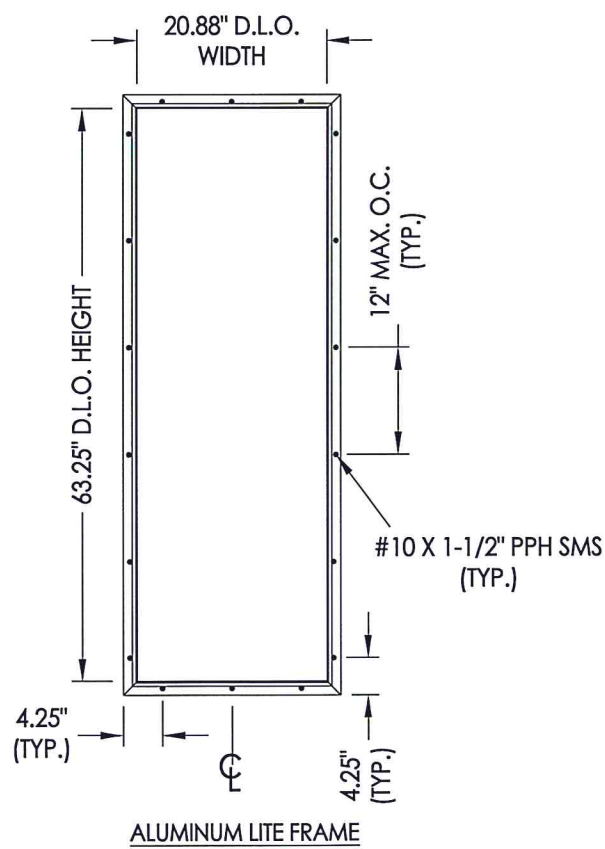
DATE:	10/24/17
SCALE:	N.T.S.
DWG. BY:	JK
CHK. BY:	LFS
DRAWING NO.:	TX-4730
SHEET	8 OF 11



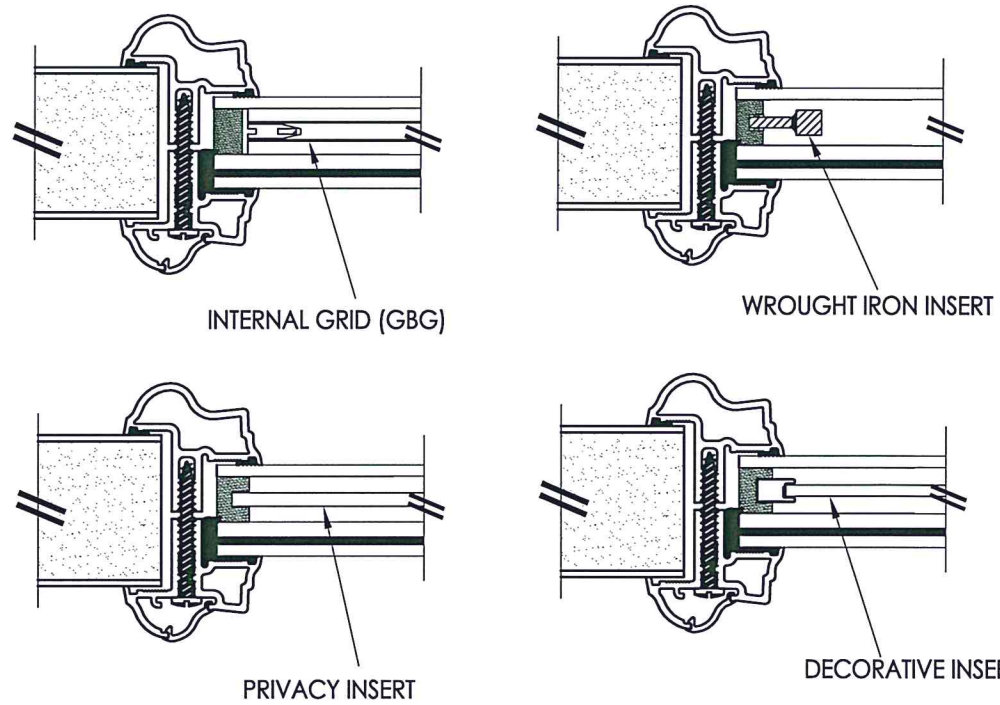
3A ALUMINUM FRAME
Aluminum Impact Lite Frame
Door Panels & Sidelites



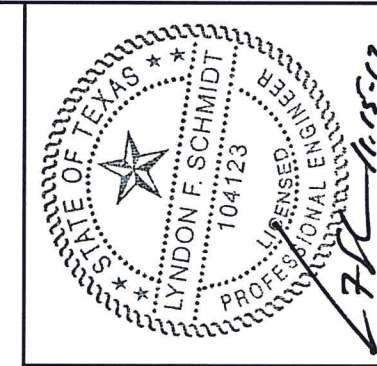
G1 GLAZING DETAIL
Aluminum Impact Lite Frame
Door Panels & Sidelites



ALUMINUM LITE FRAME



1" LAMINATED INSULATED IMPACT GLASS INSERT OPTIONS



Documents Prepared By: Lyndon F. Schmidt, P.E.
TEXAS P.E. #104123

RW BUILDING CONSULTANTS, INC.
P.O. Box 230 Vairico FL. 33595
Phone No.: 813.659.9197

CERTIFICATE OF REGISTRATION # F-11852

PRODUCT:	THERMA-TRU FIBERGLASS DOOR
PART OR ASSEMBLY:	GLAZING DETAILS

NO.	DATE	REVISIONS	BY

DATE:	10/24/17
SCALE:	N.T.S.
DWG. BY:	JK
CHK. BY:	LFS
DRAWING NO.:	TX-4730
SHEET	9 OF 11

