

THERMA-TRU® DOORS

Fiber-Classic® & Smooth-Star®

"VENTED" SIDELITES w/ COMPOSITE EDGE OPAQUE FIBERGLASS DOOR INSWING "NON-IMPACT"

EVALUATED FOR USE IN THE STATE OF TEXAS

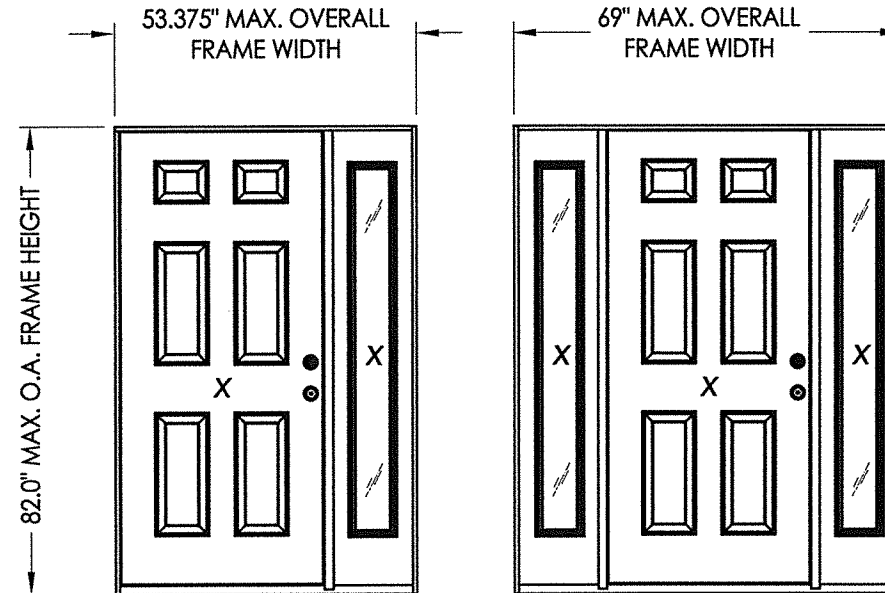
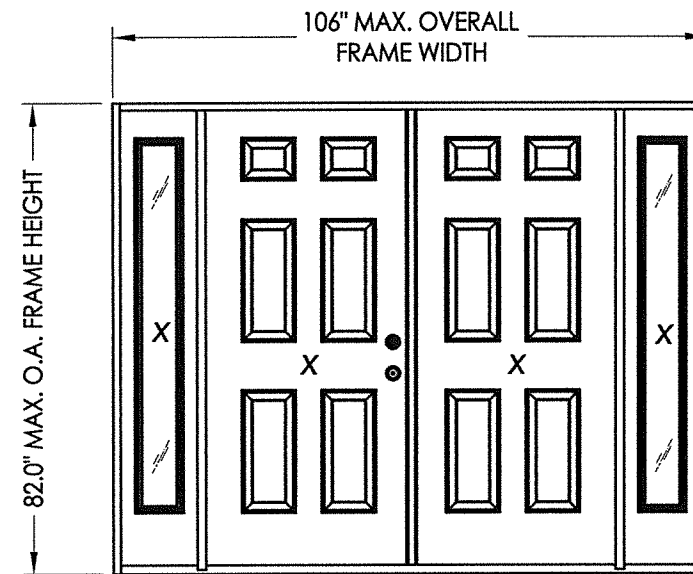
TDI DR-944

The Fiberglass Door system described herein complies with the 2018 International Residential Code (IRC), Sections R301 & R609 and the 2018 International Building Code (IBC), Sections 1404.13, 1609, 1709.5, 2403 and 2404 subject to the following conditions:

1. Anchors shall be as listed and spaced as shown in the details. Anchor embedment to base material shall be beyond wall dressing or stucco.
2. When used in areas requiring wind-borne debris protection this product is required to be protected with an impact resistant covering that complies with Section R301.2.1.2 of the IRC and Section 1609.1.2 of the IBC.
3. Allowable design pressure requirements must be equal to or less than the design pressure rating shown in the design pressure chart, sheet 1 of this drawing.
4. Conditions not covered by this drawing are subject to further engineering analysis.
5. Fiber-Classic and Smooth-Star Door and Sidelite panels require the use of "J" part numbers. These door and sidelite panels must be stained or painted within six months of installation.

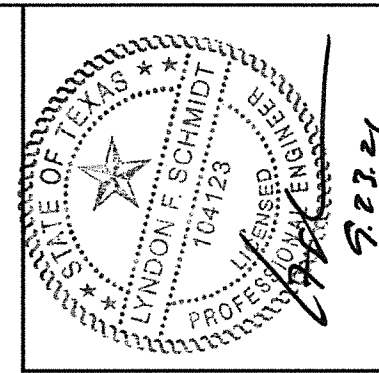
TABLE OF CONTENTS

SHEET#	DESCRIPTION
1	Typical elevations, design pressures & general notes
2	Door panel details
3	Sidelite Panel Details
4	Elevations
5	Horizontal Cross Sections
6	Vertical Cross Sections
7	Frame Anchoring
8	Hardware Details
9	Hardware Strike Details
10	Glazing Details
11	Components
12	Bill of materials



CONTINUOUS HEAD & SILL

CONFIGURATION	MAX. FRAME DIMENSION	DESIGN PRESSURE (PSF) Multipoint Door Lock		DESIGN PRESSURE (PSF) Latch & Deadbolt	
		POSITIVE	NEGATIVE	POSITIVE	NEGATIVE
XX	53.375" x 82.0"	+80.0	-80.0	+65.0	-75.0
XXX	69.0" x 82.0"	+80.0	-80.0	+65.0	-75.0
XXXX	106.0" x 82.0"	+35.0	-40.0	N/A	N/A



Documents Prepared By: Lyndon F. Schmidt, P.E.
TEXAS P.E. #104123

RW BUILDING CONSULTANTS, INC.
P.O. Box 230 Valrico FL 33595
Phone No.: 813.659.9197
TEXAS BOARD OF PROFESSIONAL ENGINEERS
CERTIFICATE OF REGISTRATION # F-11852

PRODUCT: THERMA-TRU

PART OR ASSEMBLY:
TYPICAL ELEVATION, DESIGN PRESSURES & GENERAL NOTES

NO.	DATE	REVISIONS
1	9/21/21	UPDATE TO 2018 IBC/IRC CODE

DATE: 11/29/17

SCALE: N.T.S.

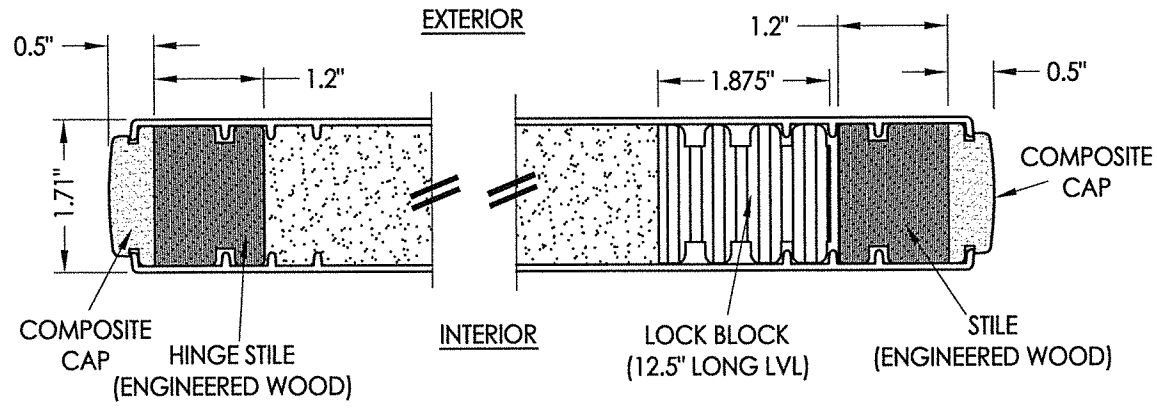
DWG. BY: JK

CHK. BY: LFS

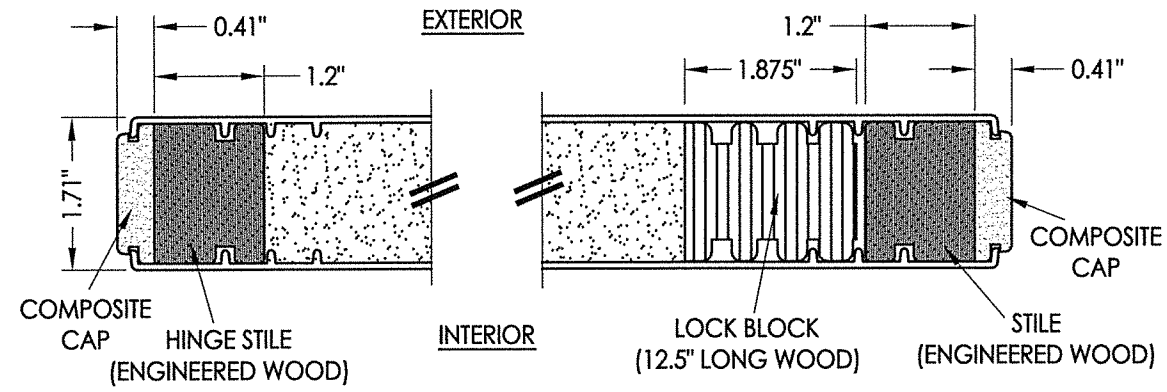
DRAWING NO.: TX-4751

SHEET 1 OF 12

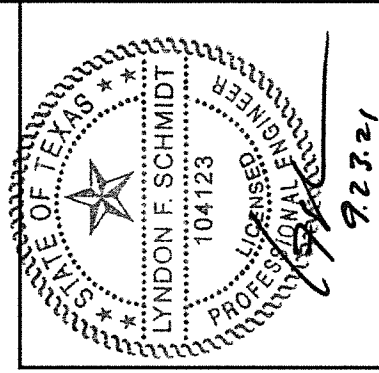
Z:\Clients\Therma Tru PERMANENT\B - Texas Dept of Ins\TDI - DR 944 - 6'8 & 8'0 Opaque FG NonImp IS Vented Sidelites (TX 4751-4752)\C - Drawings\TX-4751.dwg



1
2 HORIZONTAL CROSS SECTION

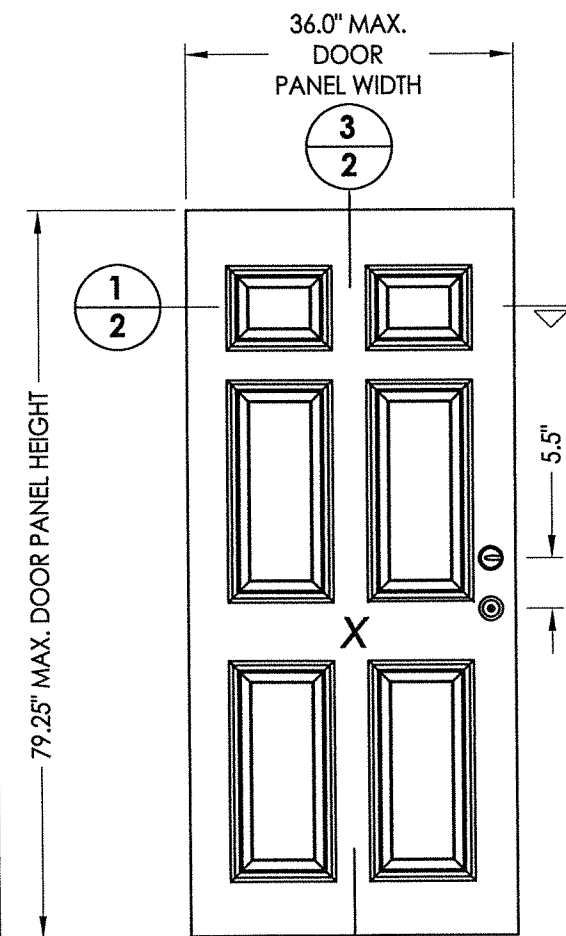


2
2 HORIZONTAL CROSS SECTION

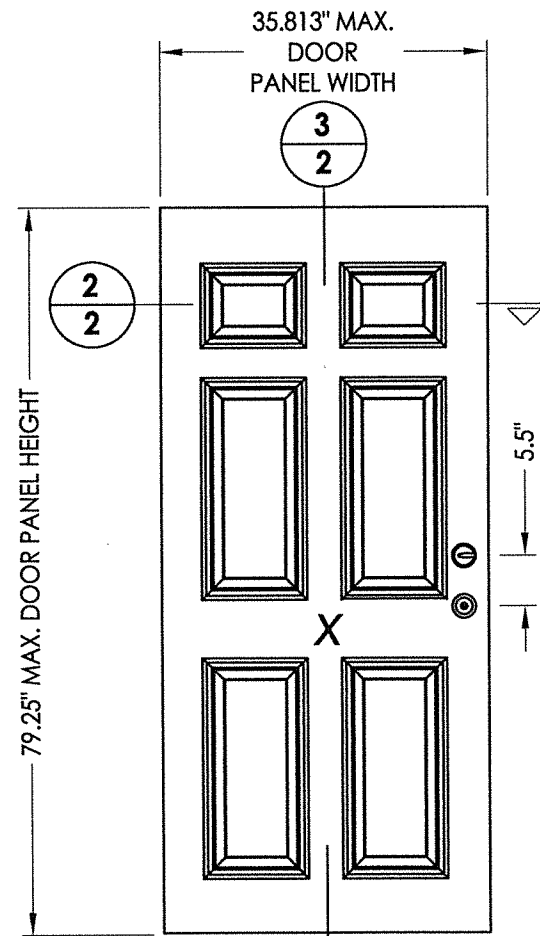


Documents Prepared By: Lyndon F. Schmidt, P.E.
TEXAS P.E. #104123

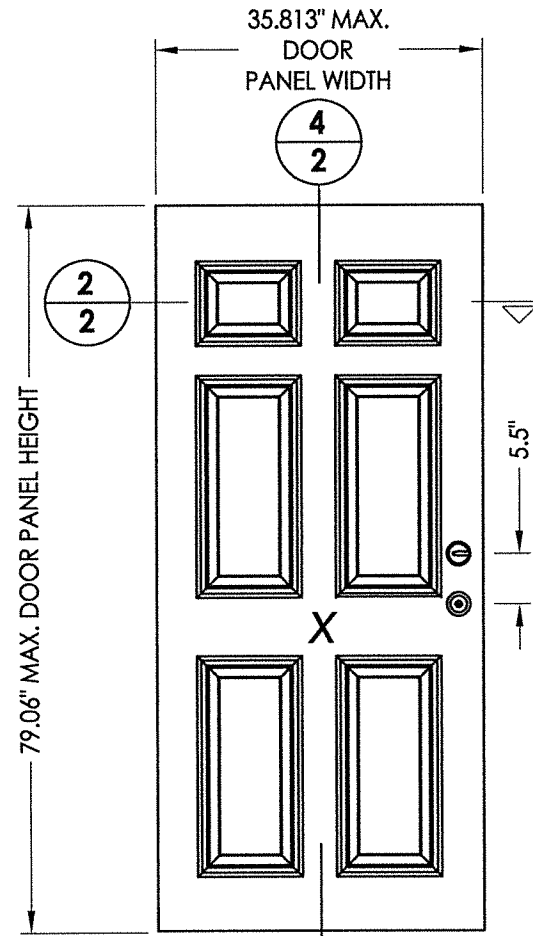
RW BUILDING CONSULTANTS, INC.
P.O. Box 230 Valrico FL 33595
Phone No.: 813.659.9197
TEXAS BOARD OF PROFESSIONAL ENGINEERS
CERTIFICATE OF REGISTRATION # F-11852



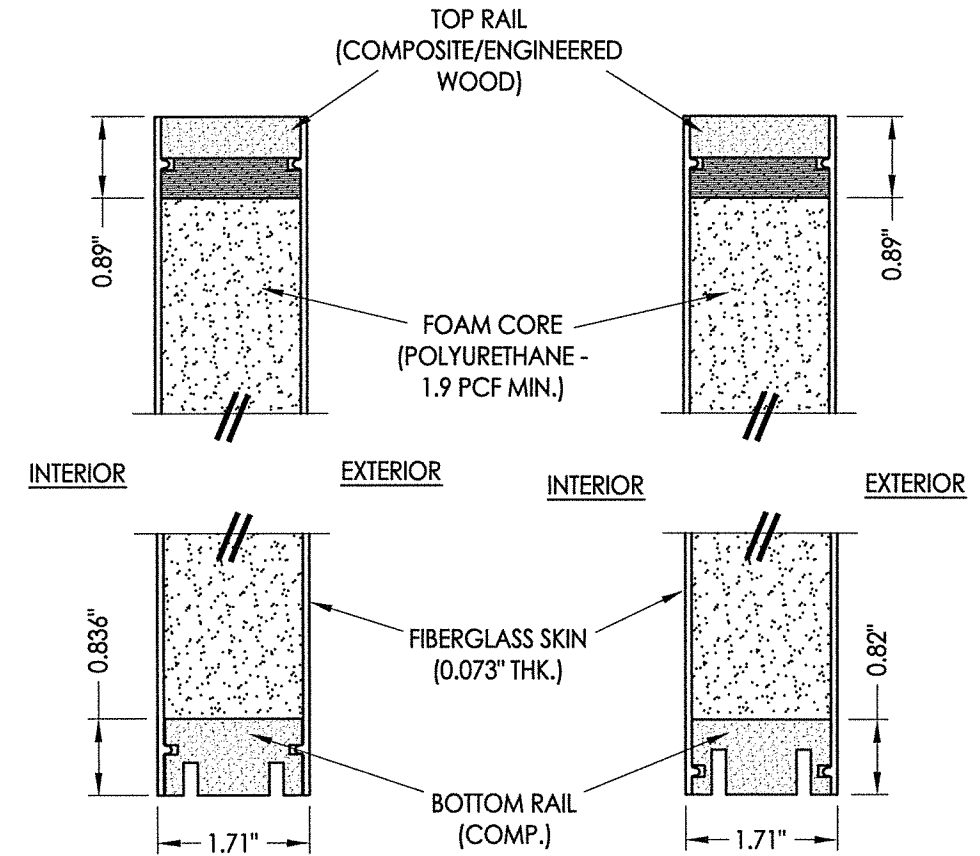
40 DOOR PANEL BOOK



41 DOOR PANEL Hybrid Door



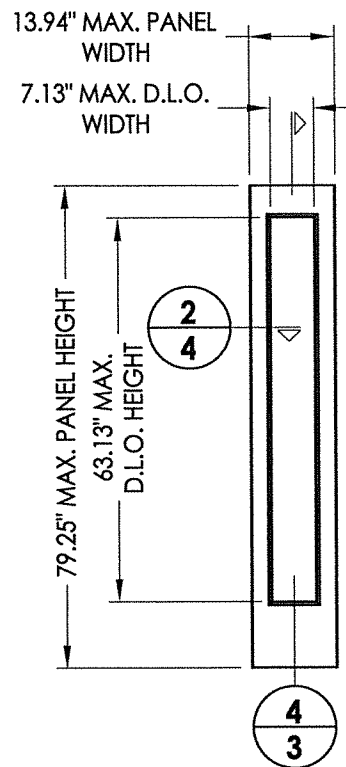
42 DOOR PANEL U1 Door



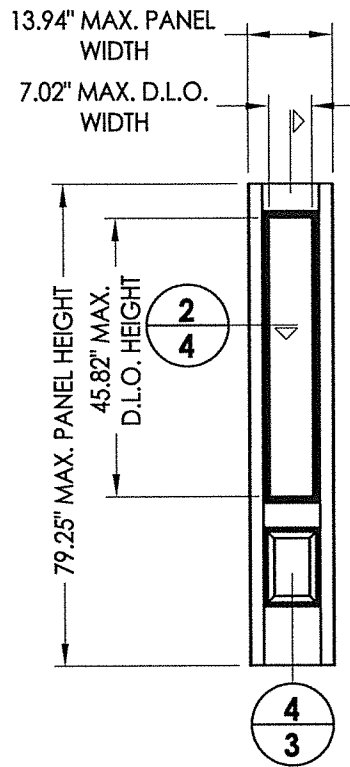
3
2 VERTICAL CROSS SECTION

4
2 VERTICAL CROSS SECTION

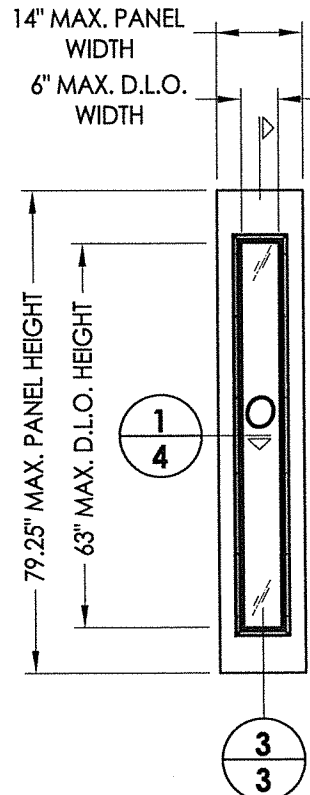
PRODUCT: THERMA-TRU FIBERGLASS DOOR		PART OR ASSEMBLY: DOOR PANEL DETAILS	
NO.	DATE	DESCRIPTION	BY
1	9/21/21	UPDATE TO 2018 IBC/IRC CODE	LFS
REVISIONS			
DATE: 11/29/17			
SCALE: N.T.S.			
DWG. BY: JK			
CHK. BY: LFS			
DRAWING NO.: TX-4751			
SHEET 2 OF 12			



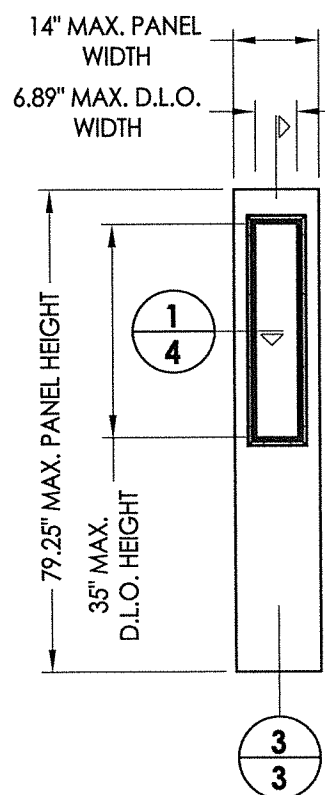
60 SIDELITE PANEL
Full Lite
Flush Glazed



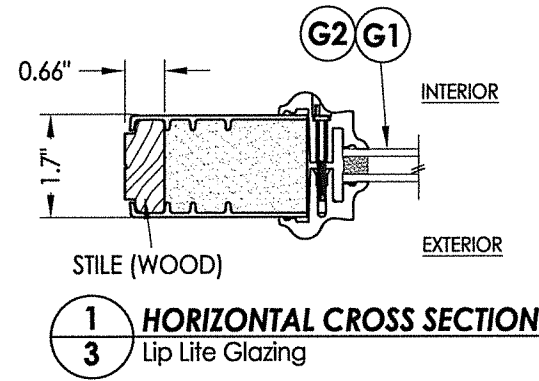
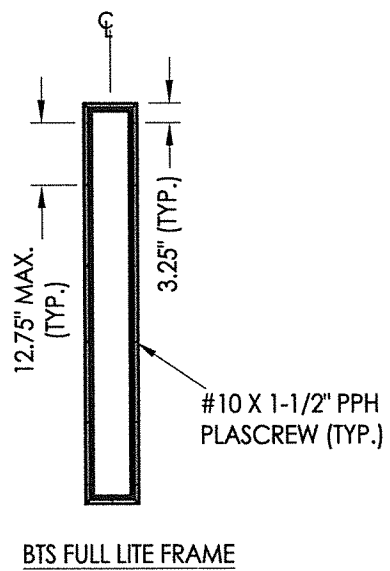
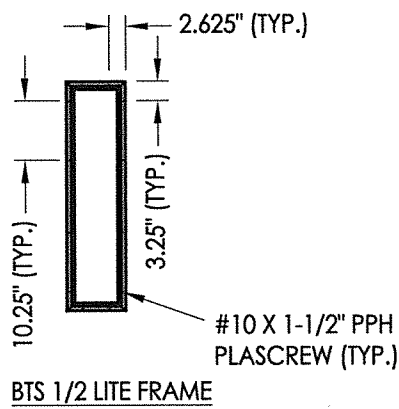
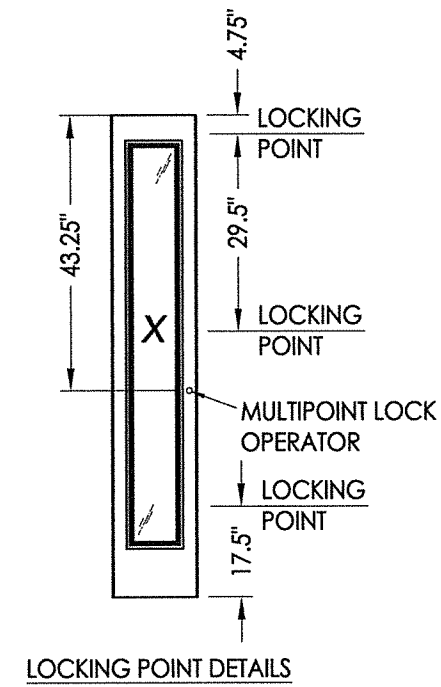
60 SIDELITE PANEL
3/4 Lite
Flush Glazed



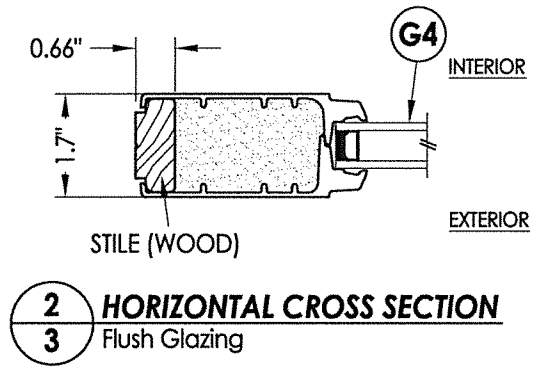
50 SIDELITE PANEL
Full Lite
Lip Lite



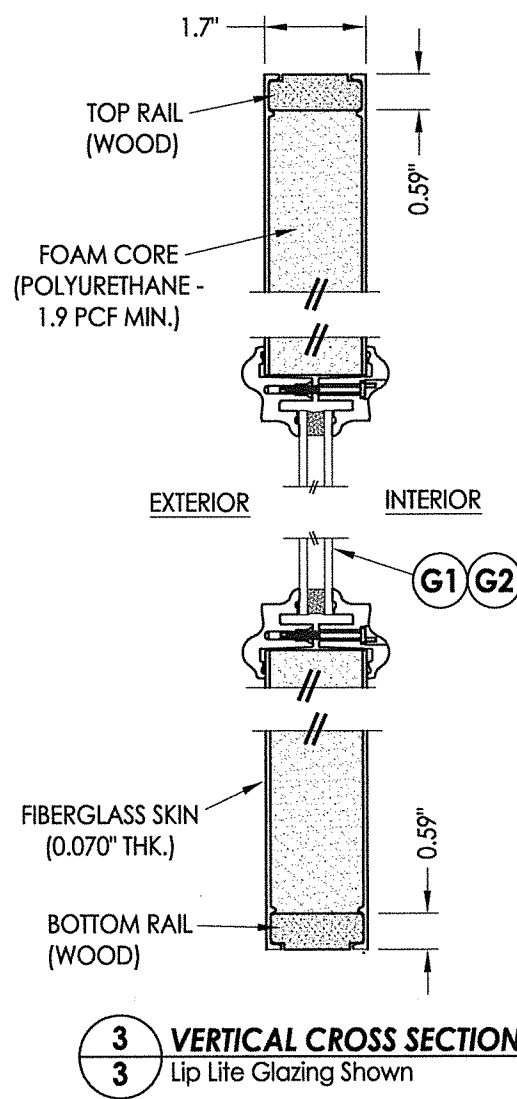
50 SIDELITE PANEL
Half Lite
Lip Lite



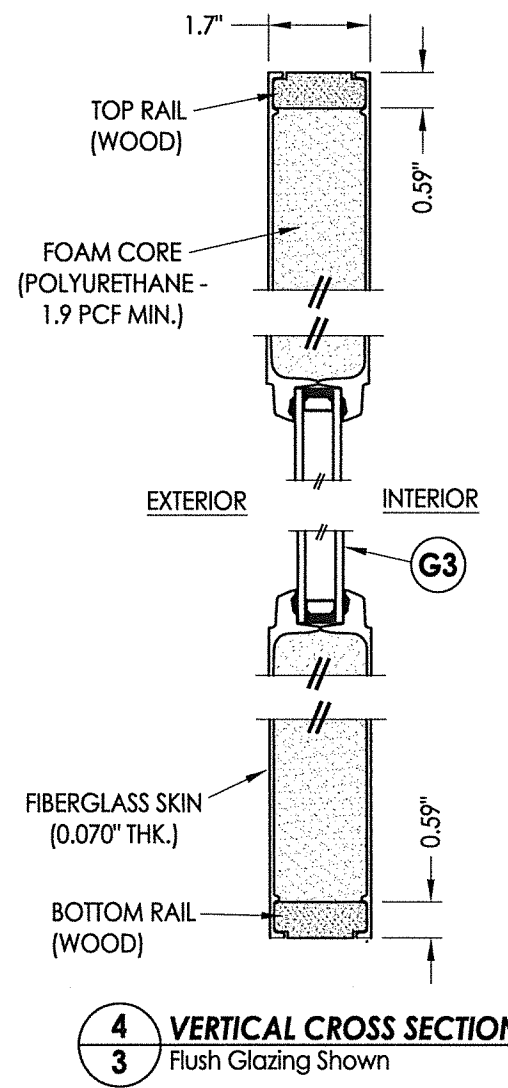
1 HORIZONTAL CROSS SECTION
3 Lip Lite Glazing



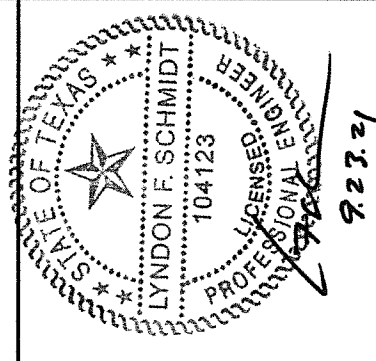
2 HORIZONTAL CROSS SECTION
3 Flush Glazing



3 VERTICAL CROSS SECTION
3 Lip Lite Glazing Shown



4 VERTICAL CROSS SECTION
3 Flush Glazing Shown

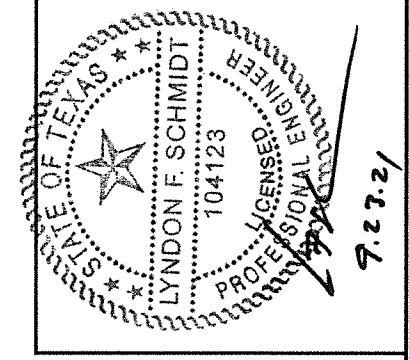


Documents Prepared By: Lyndon F. Schmidt, P.E.
TEXAS P.E. #104123

RW BUILDING CONSULTANTS, INC.
P.O. Box 230 Valrico FL 33595
Phone No.: 813.659.9197

TEXAS BOARD OF PROFESSIONAL ENGINEERS
CERTIFICATE OF REGISTRATION # F-11852

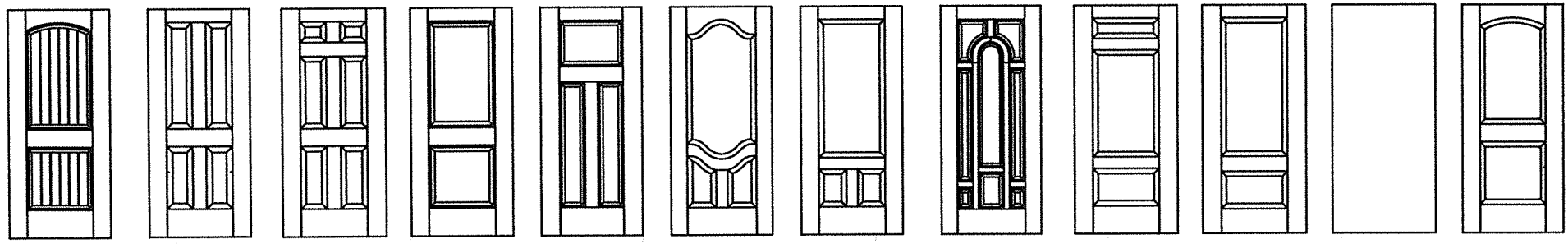
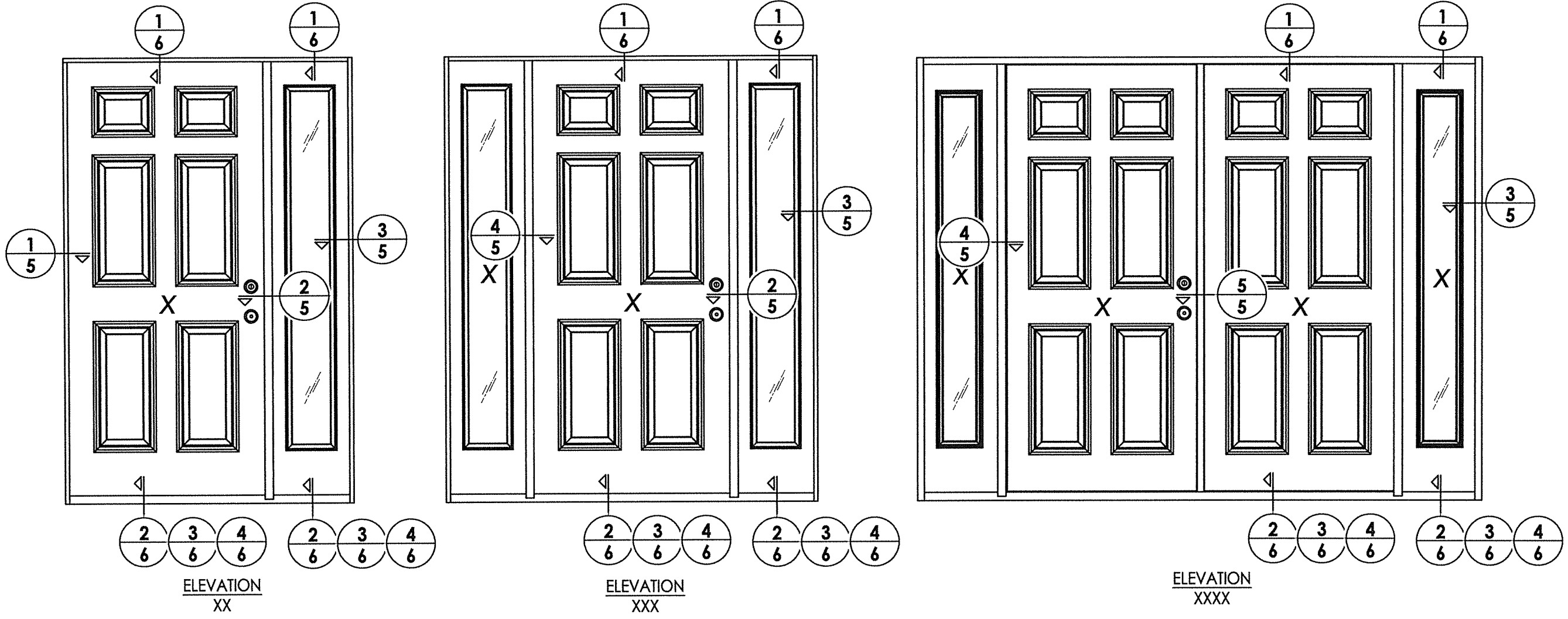
PRODUCT:		THERMA TRU FIBERGLASS DOOR	
PART OR ASSEMBLY:		SIDELITE PANEL DETAILS	
DATE:	11/29/17	NO.	1
SCALE:	N.T.S.	DATE	9/21/21
DWG. BY:	JK	IBC/IRC CODE	LFS
CHK. BY:	LFS	BY	
DRAWING NO.:	TX-4751	REVISIONS	
SHEET	3	OF 12	



Documents Prepared By: Lyndon F. Schmidt, P.E.
 TEXAS P.E. #104123

RW BUILDING CONSULTANTS, INC.
 P.O. Box 230 Vairico FL 33595
 Phone No.: 813.659.9197

TEXAS BOARD OF PROFESSIONAL ENGINEERS
 CERTIFICATE OF REGISTRATION # F-11852

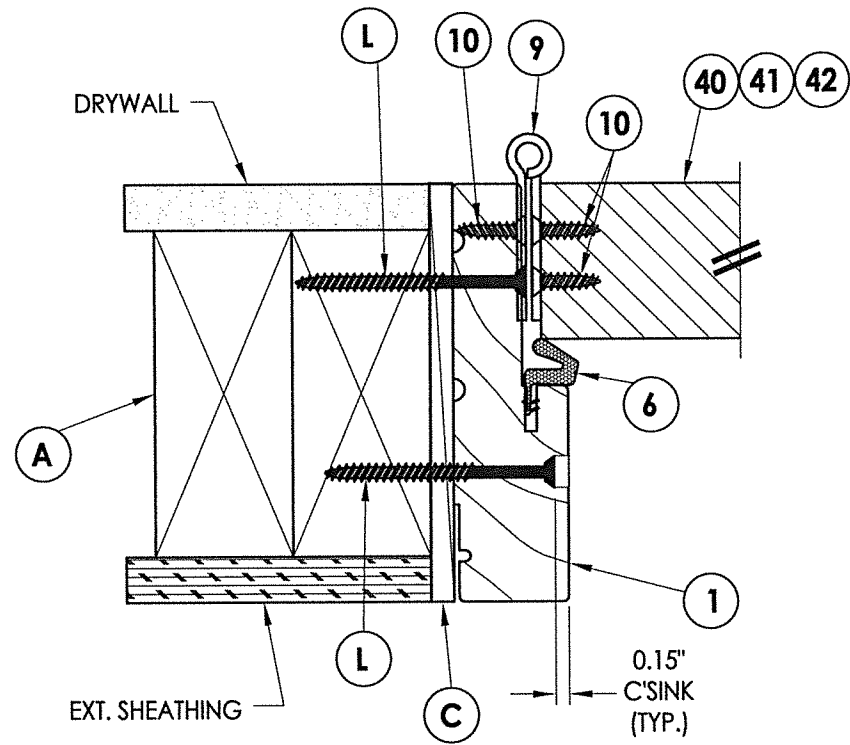


Fiber-Classic/Smooth-Star Door Panel Options
 Panel options shown are for illustration and are representative only
 (similar opaque panel configurations are allowed)

HARDWARE TABLE	
MANUFACTURER	MODEL
KWIKSET	KNOB: SIGNATURE SERIES DEADBOLT: SIGNATURE SERIES (780)
HOPPE	MULTIPOINT: HLS 9000 SERIES (Door) OSL SERIES (Sidelite)

PRODUCT:	Therma-TRU	
PART OR ASSEMBLY:	ELEVATIONS	
NO.	DATE	BY
1	9/21/21	LFS
UPDATE TO 2018 IBC/IRC CODE		
REVISIONS		
DATE:	11/29/17	
SCALE:	N.T.S.	
DWG. BY:	JK	
CHK. BY:	LFS	
DRAWING NO.:	TX-4751	
SHEET	4 of 12	

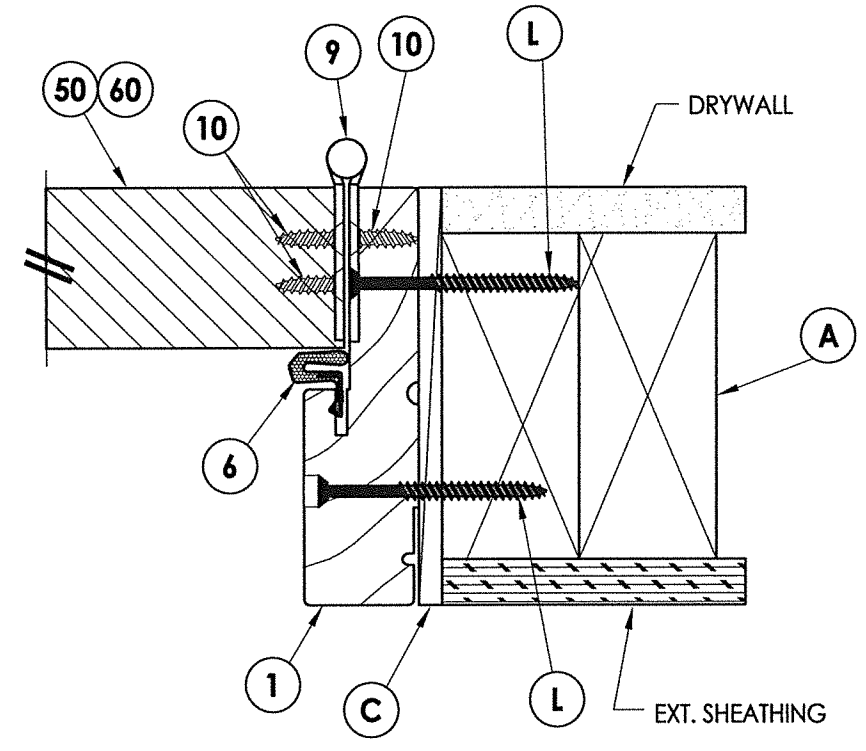
Z:\Clients\Therma Tru PERMANENT\B - Texas Dept of Ins\TDI - DR 944 - 6'8 & 8'0 Opaque FG NonImp IS Vented Sidelites (TX 4751-4752)\C - Drawings\TX-4751.dwg



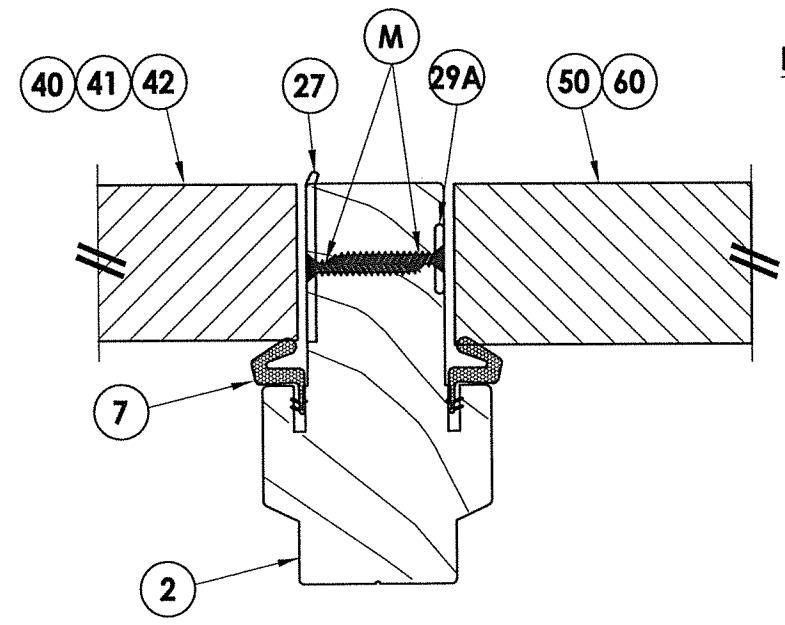
1
5 HORIZONTAL CROSS SECTION

INTERIOR

EXTERIOR



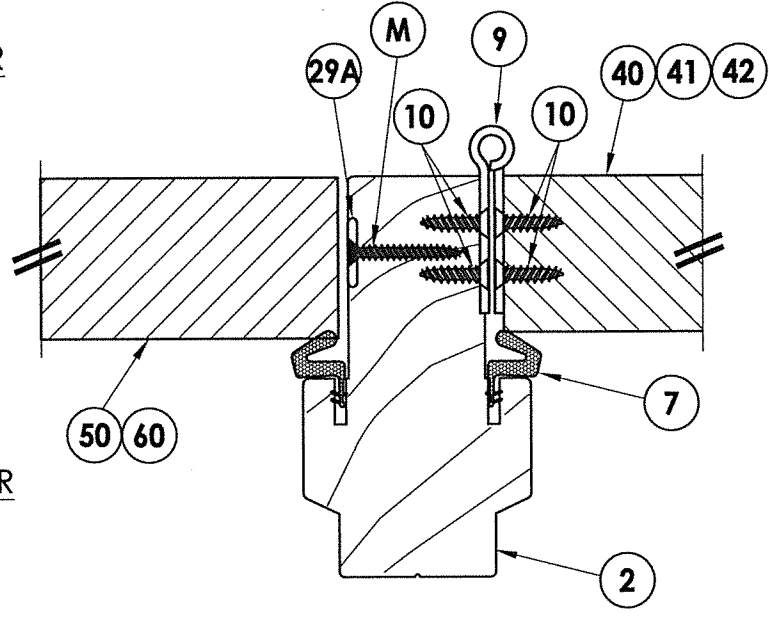
3
5 HORIZONTAL CROSS SECTION



2
5 HORIZONTAL CROSS SECTION

INTERIOR

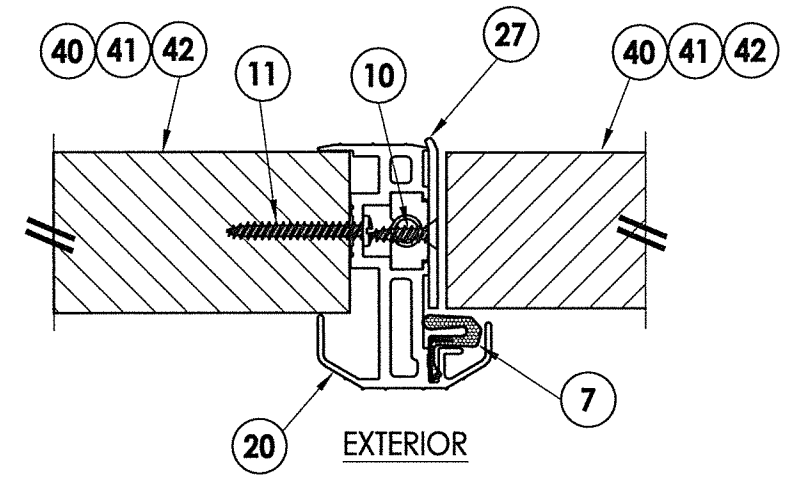
EXTERIOR



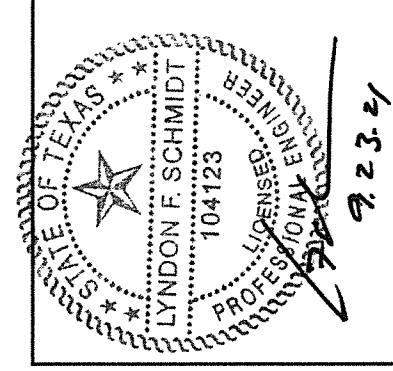
4
5 HORIZONTAL CROSS SECTION

INTERIOR

EXTERIOR



5
5 HORIZONTAL CROSS SECTION



Documents Prepared By: Lyndon F. Schmidt, P.E.
TEXAS P.E. #104123

RW BUILDING CONSULTANTS, INC.
P.O. Box 230 Vairico FL 33595
Phone No.: 813.659.9197
TEXAS BOARD OF PROFESSIONAL ENGINEERS
CERTIFICATE OF REGISTRATION # F-11852

PRODUCT: THERMA-TRU
PART OR ASSEMBLY: HORIZONTAL CROSS SECTIONS

NO.	DATE	DESCRIPTION	BY
1	9/21/21	UPDATE TO 2018 IBC/IRC CODE	LFS

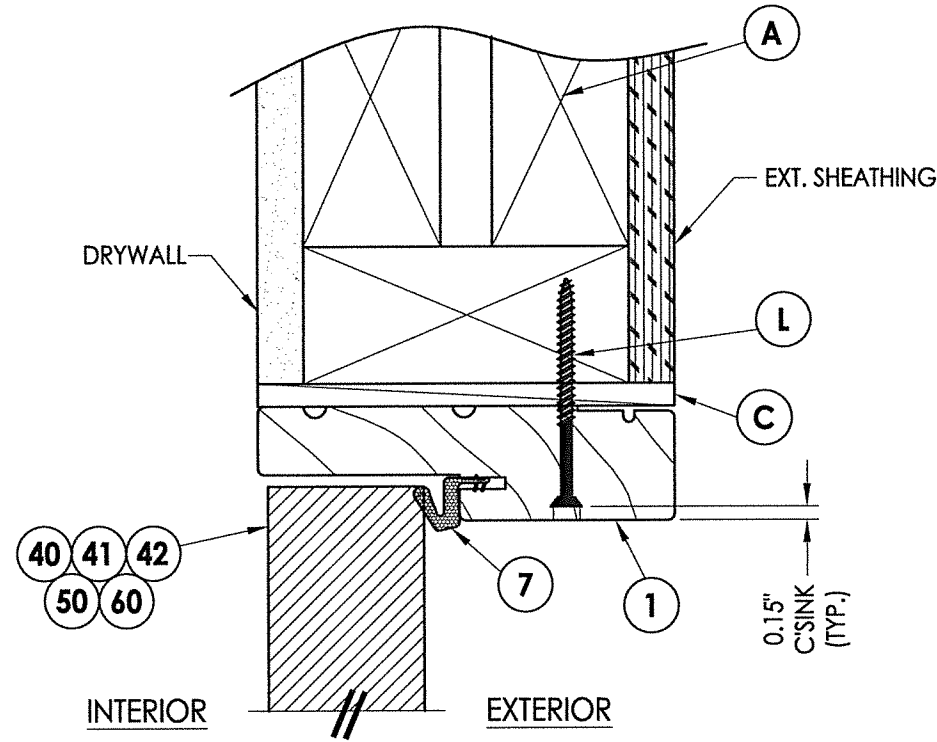
DATE: 11/29/17
SCALE: N.T.S.
DWG. BY: JK
CHK. BY: LFS
DRAWING NO.: TX-4751
SHEET 5 OF 12

© 2017 R.W. BUILDING CONSULTANTS INC.

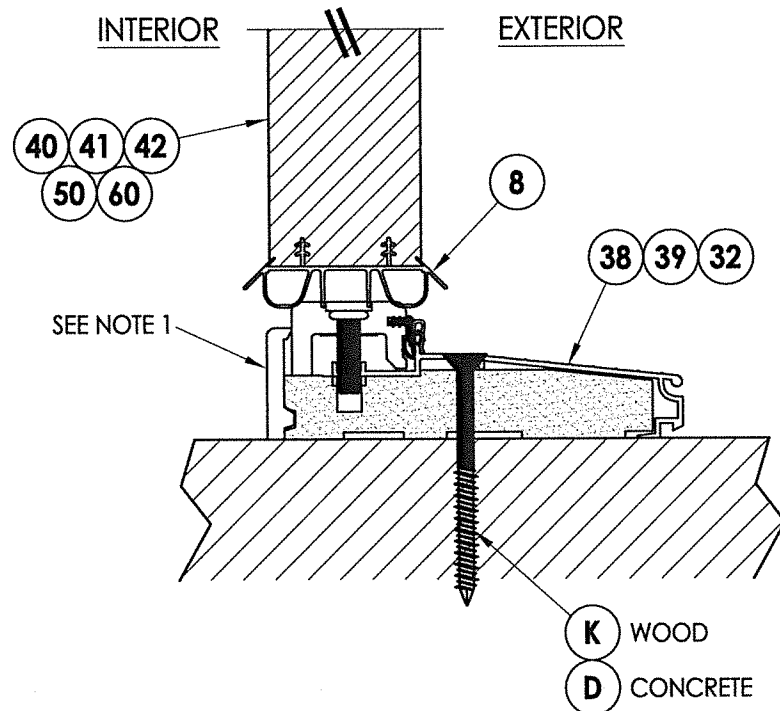
Z:\Clients\Therma Tru PERMANENT\B - Texas Dept of Ins\TDI - DR 944 - 6'8 & 8'0 Opaque FG NonImp IS Vented Sidelites (TX 4751-4752)\C - Drawings\TX-4751.dwg

Notes:

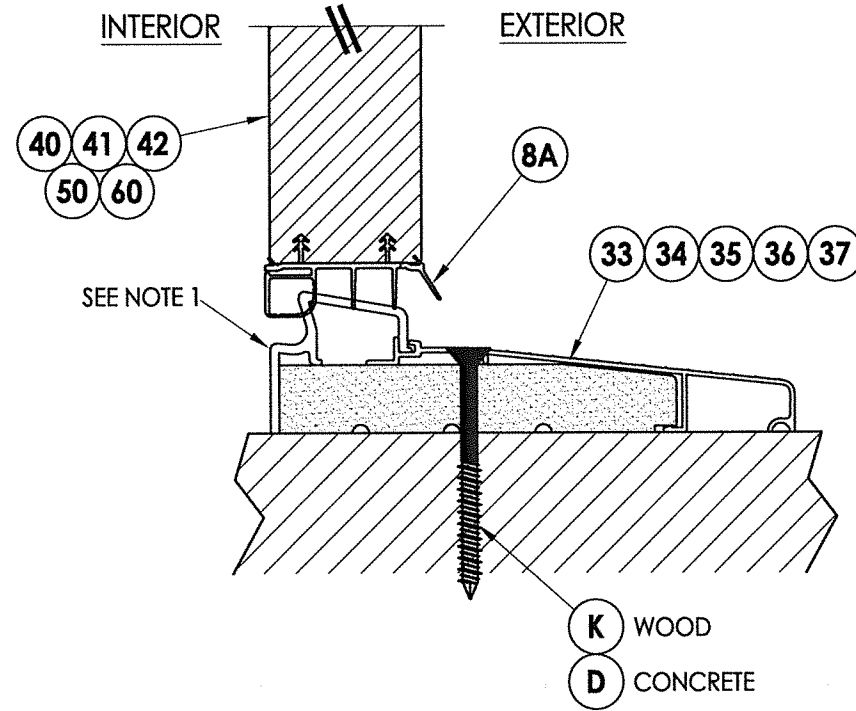
- 1. Sill Item #'s 32, 34, 35, 36, 37, 38 & 39 are attached to jambs w/ (3) #8 X 2-1/2" pfh screws at each end.
- Sill Item # 33 is attached to jambs w/ (2) #8 X 2-1/2" pfh screws at each end.
- Sill Item #15 is attached to jambs utilizing (2) #10 X 2" pph SMS at each end.



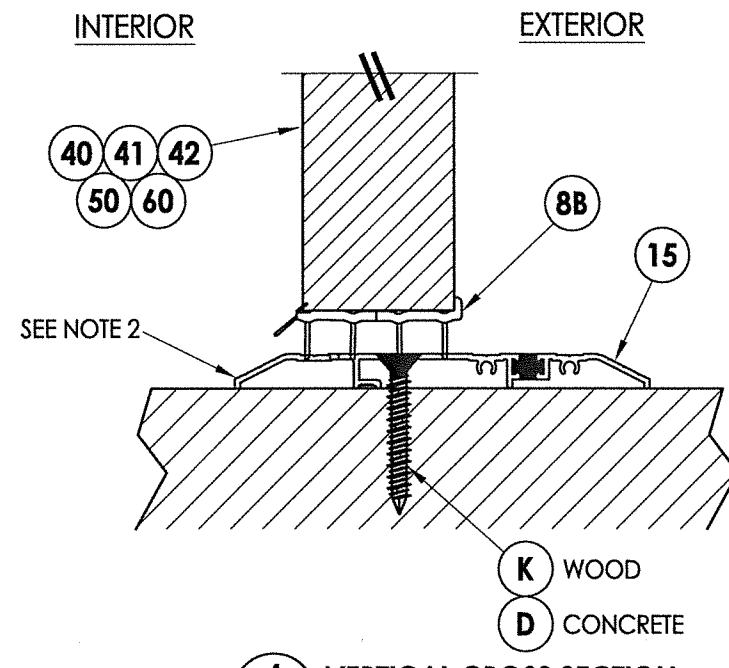
1
6 VERTICAL CROSS SECTION



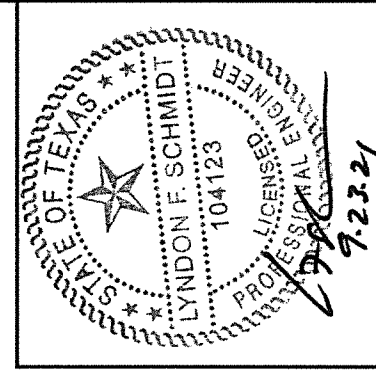
2
6 VERTICAL CROSS SECTION
Inswing Sill



3
6 VERTICAL CROSS SECTION
Inswing Sill



4
6 VERTICAL CROSS SECTION
Public Access Sill



Documents Prepared By: Lyndon F. Schmidt, P.E.
TEXAS P.E. #104123

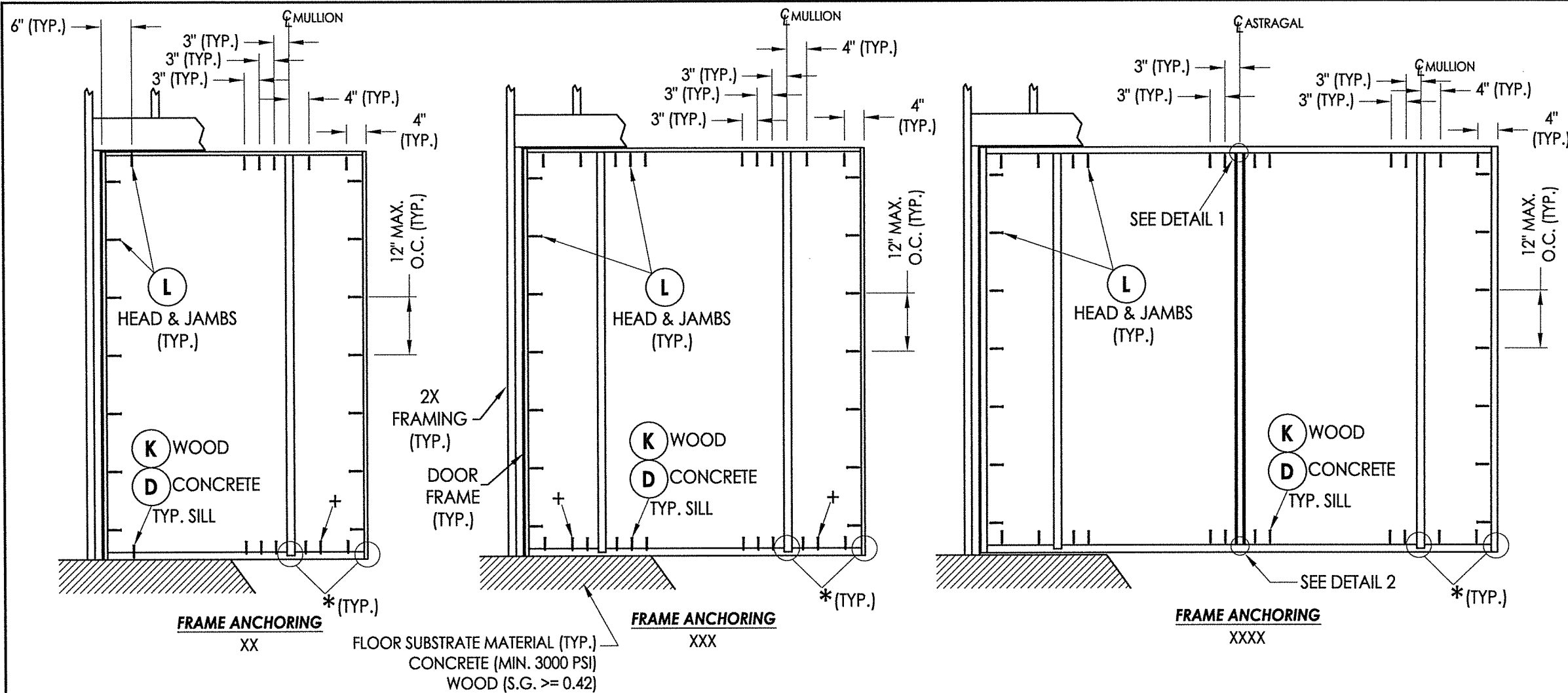
RW BUILDING CONSULTANTS, INC.
P.O. Box 230 Valrico FL 33595
Phone No.: 813-659-9197
TEXAS BOARD OF PROFESSIONAL ENGINEERS
CERTIFICATE OF REGISTRATION # F-11852

PRODUCT:	THERMA-TRU
PART OR ASSEMBLY:	VERTICAL CROSS SECTIONS

NO.	DATE	DESCRIPTION	BY
1	9/21/21	UPDATE TO 2018 IBC/IRC CODE	LFS

DATE:	11/29/17
SCALE:	N.T.S.
DWG. BY:	JK
CHK. BY:	LFS
DRAWING NO.:	TX-4751
SHEET	6 OF 12

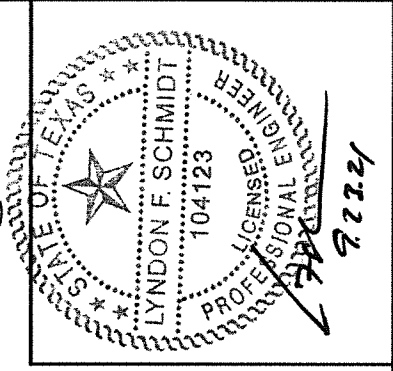
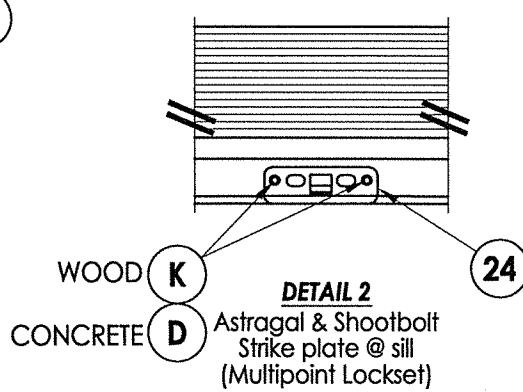
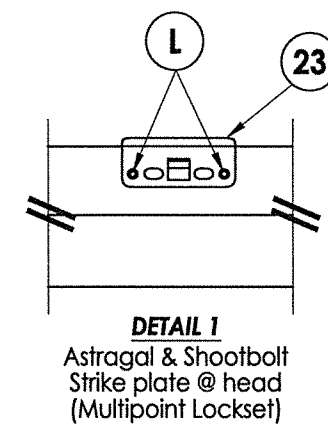
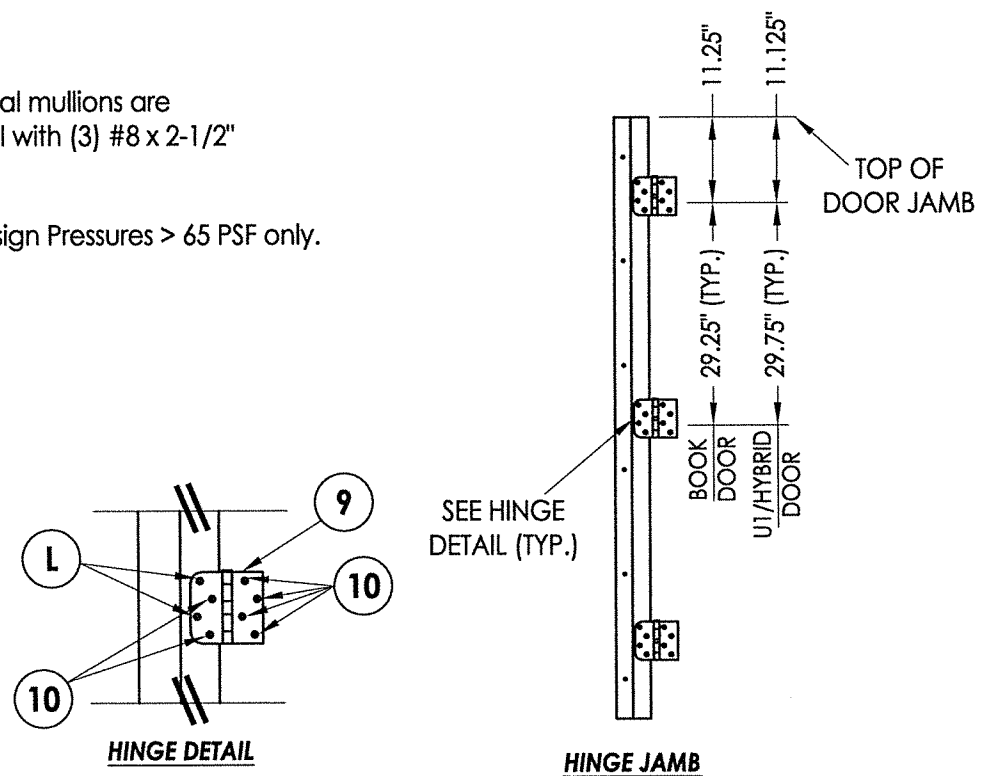
© 2017 R.W. BUILDING CONSULTANTS INC.



FLOOR SUBSTRATE MATERIAL (TYP.)
 CONCRETE (MIN. 3000 PSI)
 WOOD (S.G. >= 0.42)

* The frame jambs and vertical mullions are secured to the head and sill with (3) #8 x 2-1/2" wood screws each.

+ This anchor required for Design Pressures > 65 PSF only.



Documents Prepared By: Lyndon F. Schmidt, P.E.
 TEXAS P.E. #104123

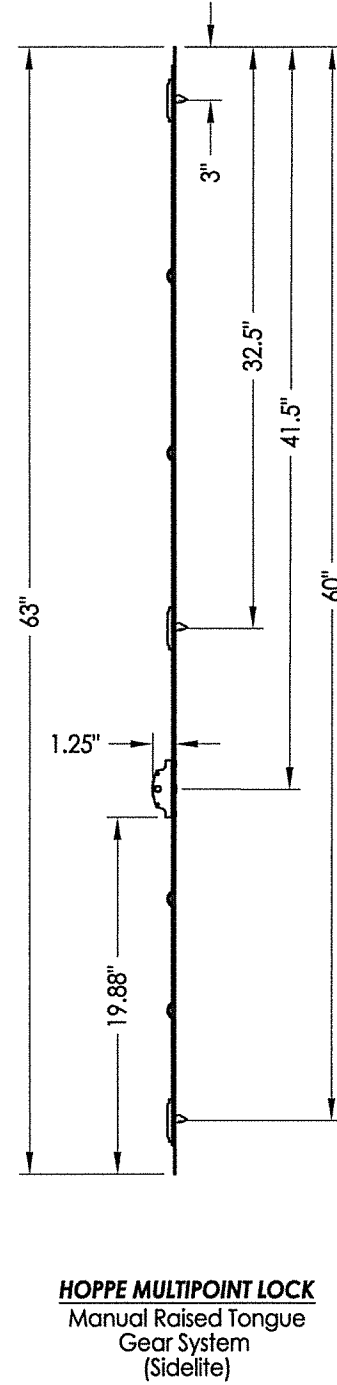
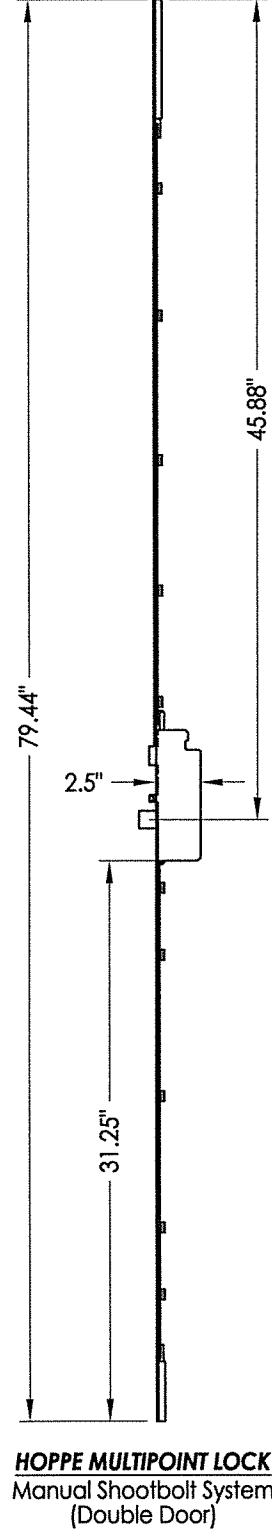
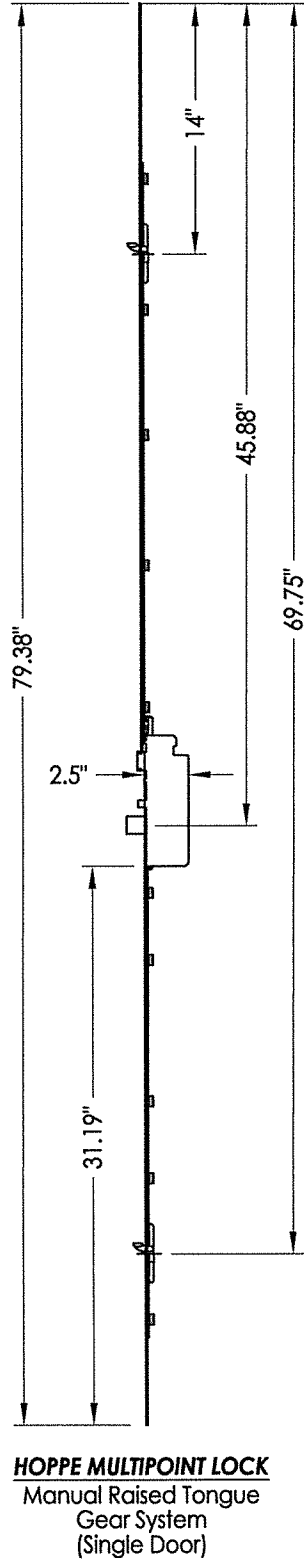
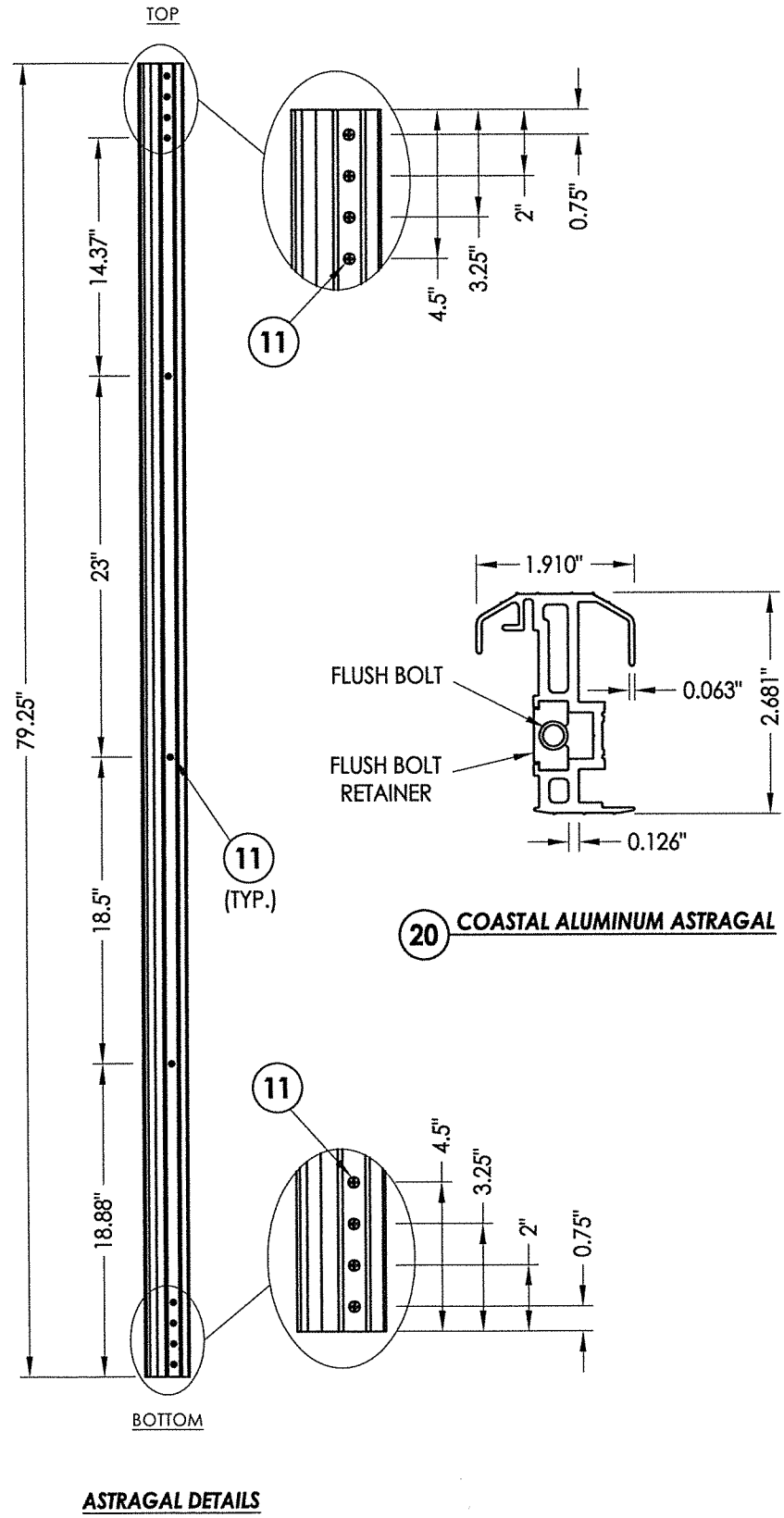
RW BUILDING CONSULTANTS, INC.
 P.O. Box 230 Valrico FL 33595
 Phone No.: 813.659.9197

TEXAS BOARD OF PROFESSIONAL ENGINEERS
 CERTIFICATE OF REGISTRATION # F-11852

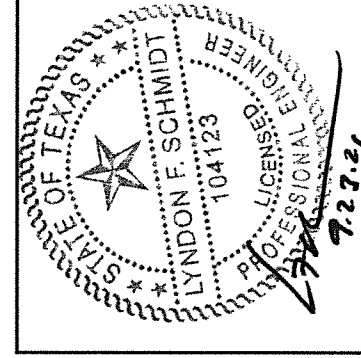
PRODUCT:	THERMA-TRU
PART OR ASSEMBLY:	FRAME ANCHORING

NO.	DATE	REVISIONS
1	9/21/21	UPDATE TO 2018 IBC/IRC CODE
		LFS
		BY

DATE: 11/29/17
 SCALE: N.T.S.
 DWG. BY: JK
 CHK. BY: LFS
 DRAWING NO.: TX-4751
 SHEET 7 OF 12



HOPPE MULTIPOINT LOCK SYSTEMS

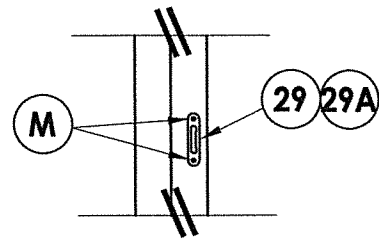


Documents Prepared By: Lyndon F. Schmidt, P.E.
TEXAS P.E. #104123

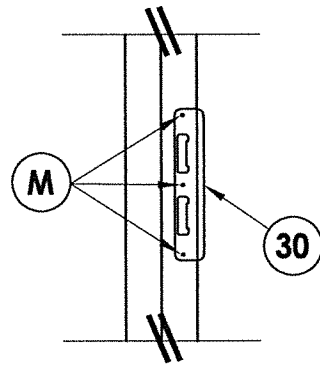
RW BUILDING CONSULTANTS, INC.
P.O. Box 230 Valrico FL 33595
Phone No.: 813.659.9197

TEXAS BOARD OF PROFESSIONAL ENGINEERS
CERTIFICATE OF REGISTRATION # F-11852

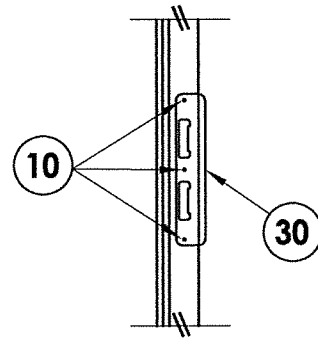
PRODUCT: THERMA-TRU	
PART OR ASSEMBLY: HARDWARE DETAILS	
NO.	DATE
1	9/21/21
UPDATE TO 2018 IBC/IRC CODE	
LFS	BY
REVISIONS	
DATE: 11/29/17	
SCALE: N.T.S.	
DWG. BY: JK	
CHK. BY: LFS	
DRAWING NO.: TX-4751	
SHEET 8 of 12	



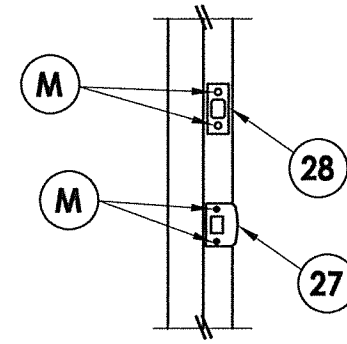
TONGUE STRIKE DETAIL
Single Door/Sidelite



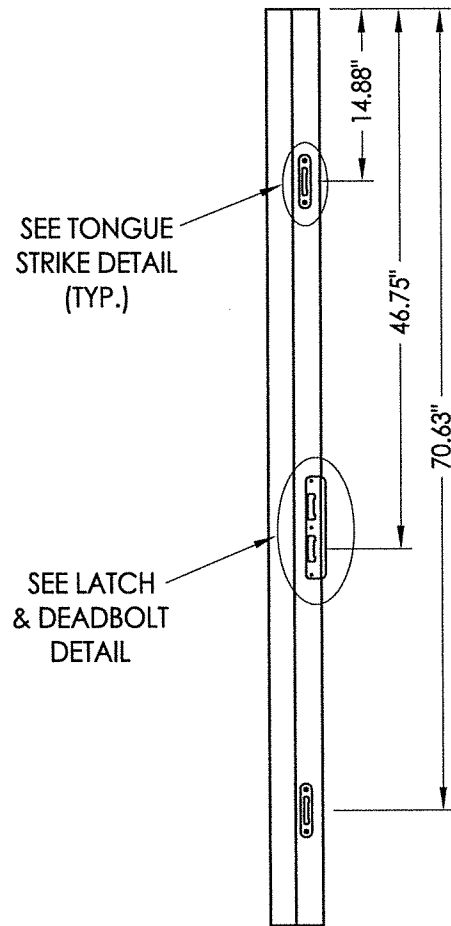
LATCH & DEADBOLT DETAIL
Single Door



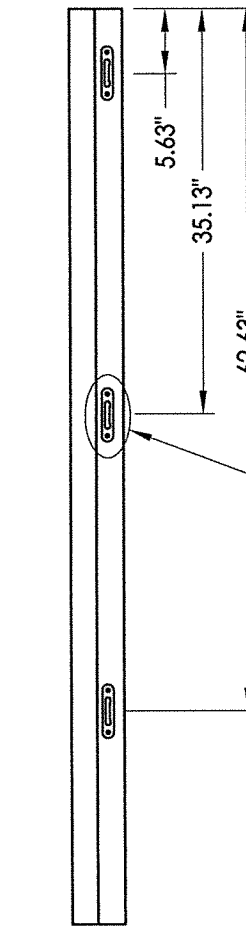
LATCH & DEADBOLT DETAIL
Double Door



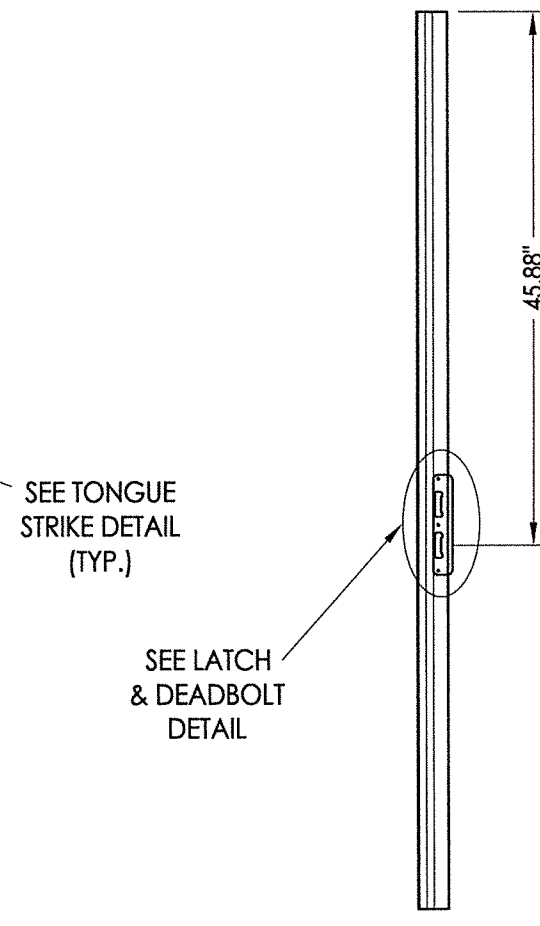
LATCH & DEADBOLT DETAIL
Single Door



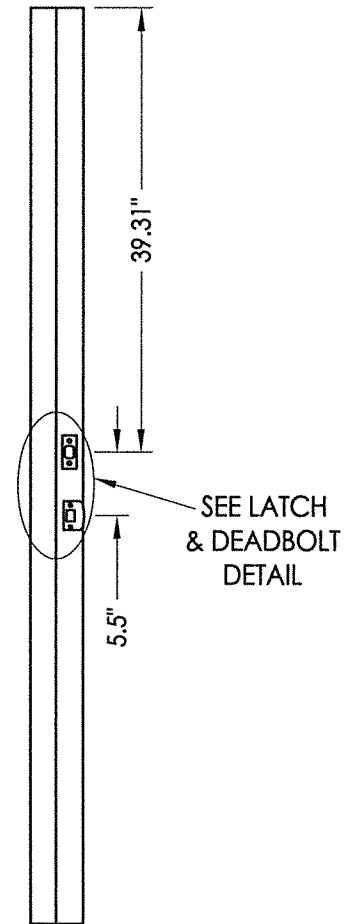
STRIKE JAMB / MULLION
Single Door



STRIKE MULLION
Sidelite



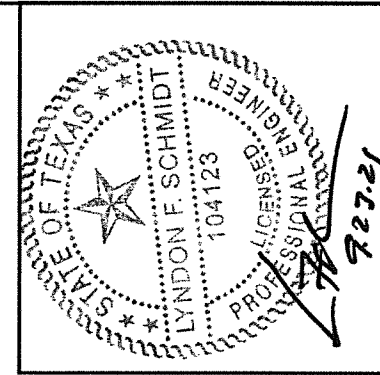
ASTRAGAL STRIKE
Double Door



STRIKE JAMB / MULLION
Single Door

MULTIPOINT LOCK STRIKE DETAILS

LATCH & DEADBOLT STRIKE DETAILS



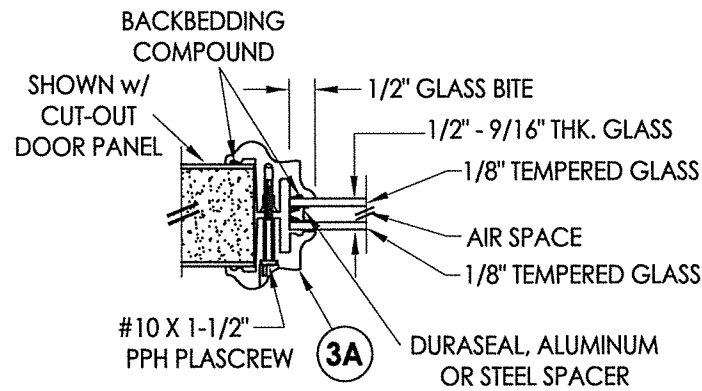
Documents Prepared By: Lyndon F. Schmidt, P.E.
TEXAS P.E. #104123

RW BUILDING CONSULTANTS, INC.
P.O. Box 230 Valrico FL 33595
Phone No.: 813.659.9197
TEXAS BOARD OF PROFESSIONAL ENGINEERS
CERTIFICATE OF REGISTRATION # F-11852

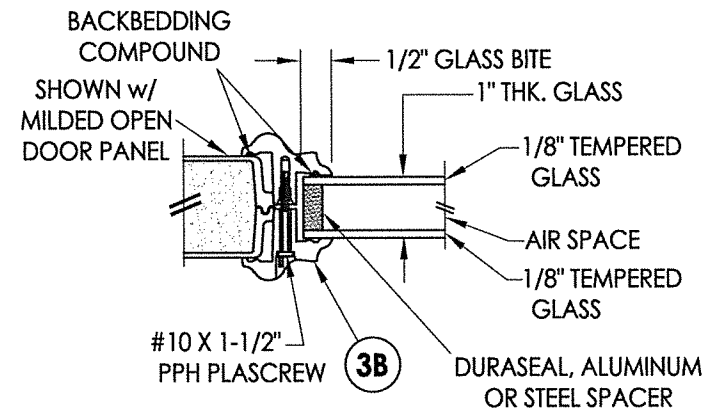
PRODUCT:		THERMA-TRU	
PART OR ASSEMBLY:		HARDWARE STRIKE DETAILS	
NO.	DATE	REVISIONS	BY
1	9/21/21	UPDATE TO 2018 IBC/IRC CODE	LFS

DATE: 11/29/17
SCALE: N.T.S.
DWG. BY: JK
CHK. BY: LFS
DRAWING NO.: TX-4751
SHEET 9 OF 12

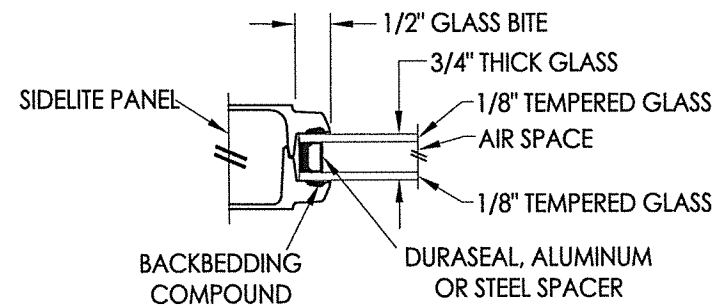
Z:\Clients\Therma Tru PERMANENT\B - Texas Dept of Ins\TDI - DR 944 - 6'8 & 8'0 Opaque FG NonImp IS Vented Sidelites (TX 4751-4752)\C - Drawings\TX-4751.dwg



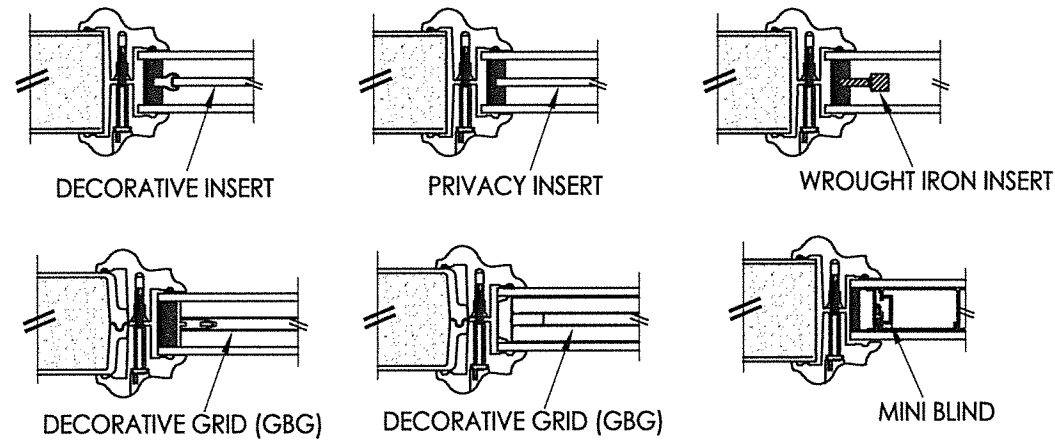
G1 GLAZING DETAIL
BTS Lite Frame
Sidelites



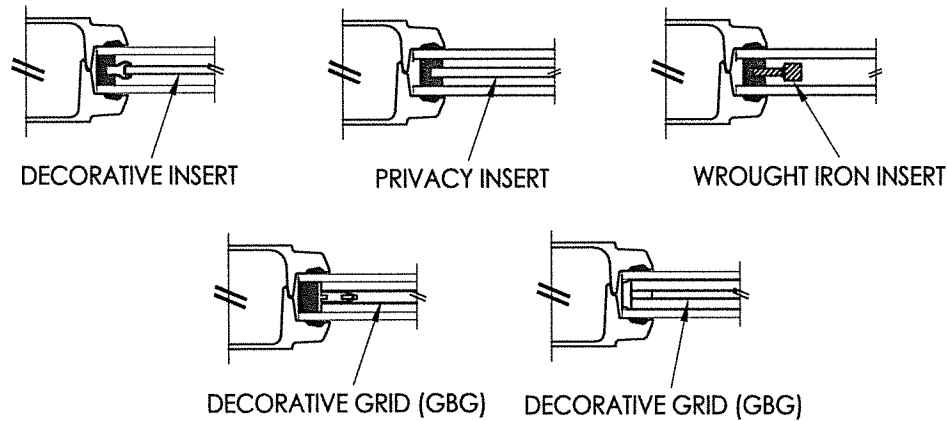
G2 GLAZING DETAIL
BTS Lite Frame
Sidelites



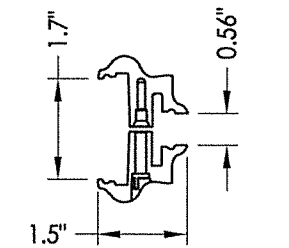
G3 GLAZING DETAIL
Flush Glazed
Sidelites



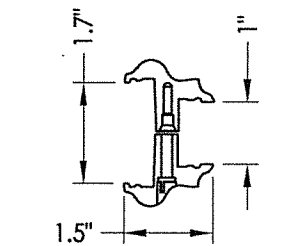
1" INSULATED GLAZING INSERT OPTIONS



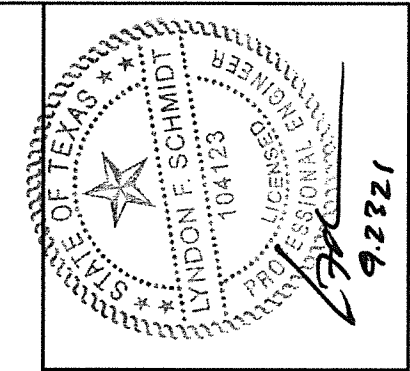
3/4" FLUSH GLAZING GLASS INSERT OPTIONS



3A BTS LITE FRAME
1/2" & 9/16" Glazing



3B BTS LITE FRAME
1" Glazing



Documents Prepared By: Lyndon F. Schmidt, P.E.
TEXAS P.E. #104123

RW BUILDING CONSULTANTS, INC.
P.O. Box 230 Vairico FL 33595
Phone No.: 813.659.9197

TEXAS BOARD OF PROFESSIONAL ENGINEERS
CERTIFICATE OF REGISTRATION # F-11852

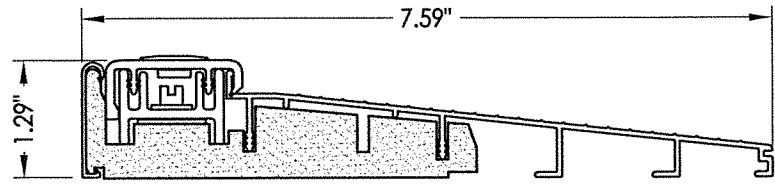
PRODUCT:	Therma Tru FIBERGLASS DOOR
PART OR ASSEMBLY:	GLAZING DETAILS

NO.	DATE	DESCRIPTION	BY
1	9/21/21	UPDATE TO 2018 IBC/IRC CODE	LFS

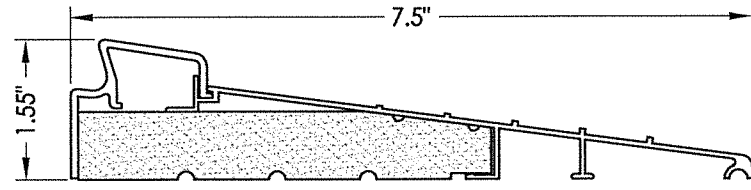
DATE:	11/29/17
SCALE:	N.T.S.
DWG. BY:	JK
CHK. BY:	LFS
DRAWING NO.:	TX-4751
SHEET	10 OF 12

© 2016 R.W. BUILDING CONSULTANTS INC.

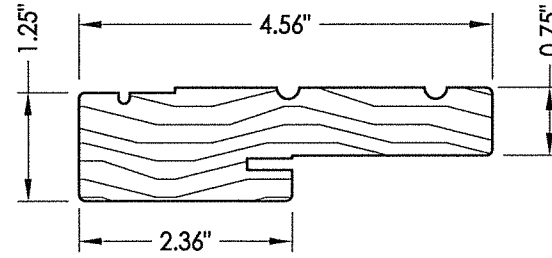
Z:\Clients\Therma Tru PERMANENT\B - Texas Dept of Ins\TDI - DR 944 - 6'8 & 8'0 Opaque FG NonImp IS Vented Sidelites (TX 4751-4752)\C - Drawings\TX-4751.dwg



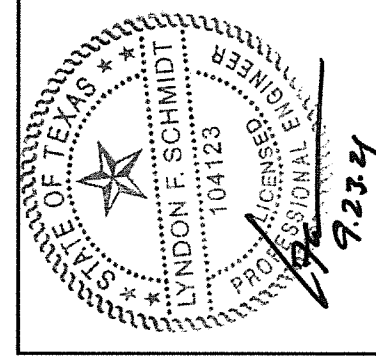
32 INSWING THRESHOLD
Inswing Basic Composite Adjustable Sill 7-1/2"



37 INSWING THRESHOLD
Inswing Basic Fixed 7-1/2" Sill



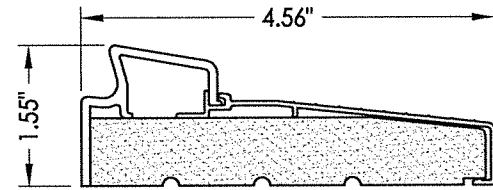
1 WOOD JAMB



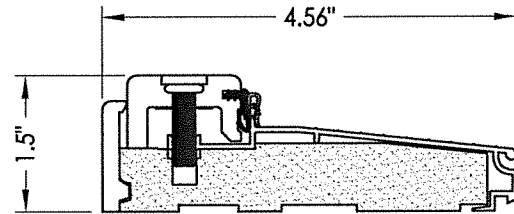
Documents Prepared By: Lyndon F. Schmidt, P.E.
TEXAS P.E. #104123

RW BUILDING CONSULTANTS, INC.
P.O. Box 230 Valrico FL 33595
Phone No.: 813.659.9197

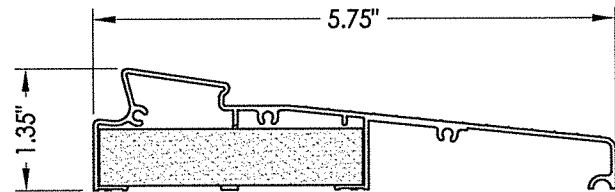
TEXAS BOARD OF PROFESSIONAL ENGINEERS
CERTIFICATE OF REGISTRATION # F-11852



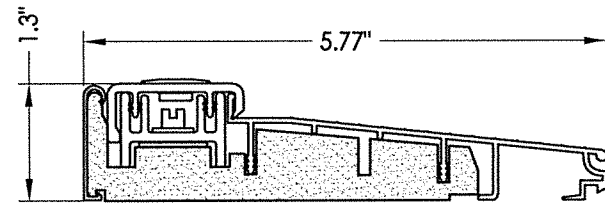
33 INSWING THRESHOLD
Inswing Basic Fixed Sill



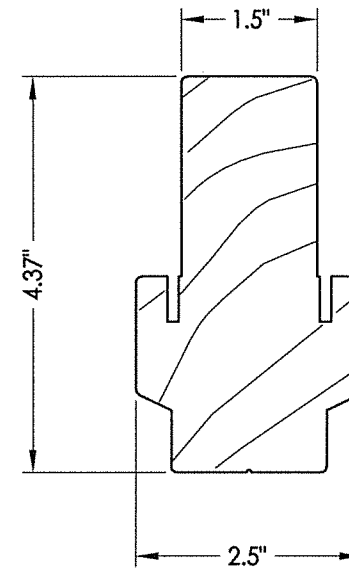
38 INSWING THRESHOLD
Inswing Composite Adjustable Sill



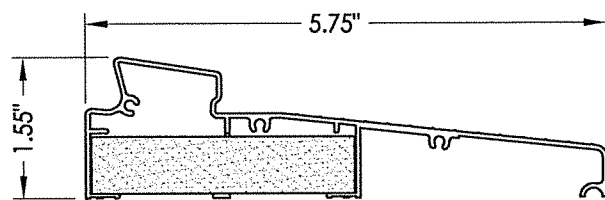
34 INSWING THRESHOLD
Inswing Moderate Climate Sill 1-3/8"



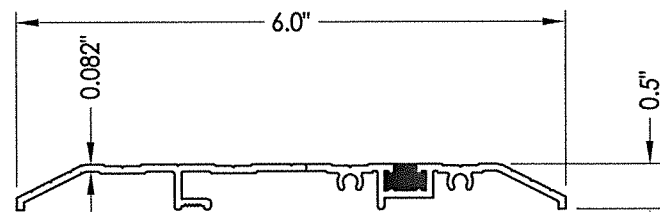
39 INSWING THRESHOLD
Inswing Basic Composite Adjustable Sill



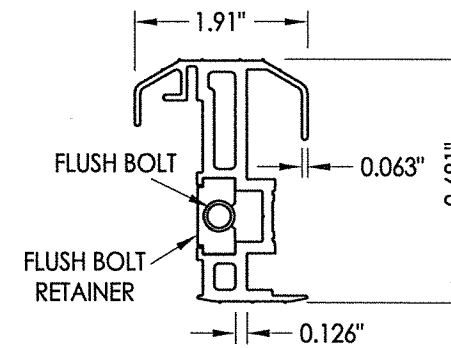
2 INTEGRAL MULLION



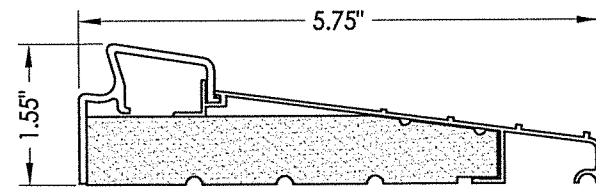
35 INSWING THRESHOLD
Inswing Moderate Climate Sill



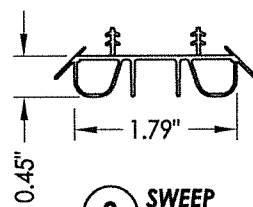
15 PUBLIC ACCESS THRESHOLD



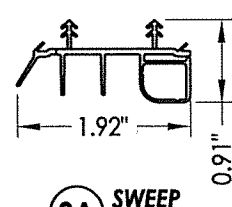
20 COASTAL ALUMINUM ASTRAGAL



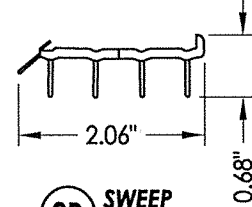
36 INSWING THRESHOLD
Inswing Basic Fixed 5-3/4" Sill



8 SWEEP



8A SWEEP



8B SWEEP

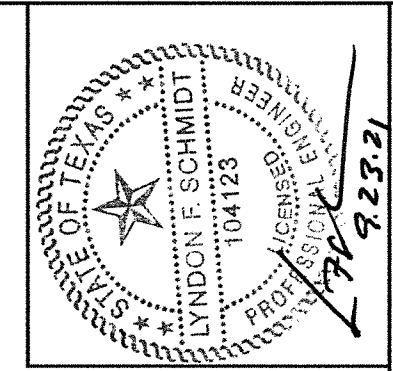
PRODUCT:	THERMA-TRU FIBERGLASS DOOR
PART OR ASSEMBLY:	COMPONENTS

NO.	DATE	REVISIONS	BY
1	9/21/21	UPDATE TO 2018 IBC/IRC CODE	LFS

DATE:	11/29/17
SCALE:	N.T.S.
DWG. BY:	JK
CHK. BY:	LFS
DRAWING NO.:	TX-4751
SHEET	11 OF 12

© 2017 R.W. BUILDING CONSULTANTS INC.

BILL OF MATERIALS		
ITEM #	DESCRIPTION	MATERIAL
A	2X FRAMING (SG >= 0.42)	WOOD
C	1/4" MAX. SHIM SPACE	-
D	1/4" PFH DeWALT OR ITW CONCRETE SCREW (1-3/4" MIN. EMBEDMENT)	STEEL
K	#12 PFH WOOD SCREW (1-1/2" MIN. EMBEDMENT)	STEEL
L	#10 X 2-1/2" PFH WOOD SCREW (1.15" MIN. EMBEDMENT)	STEEL
M	#8 X 1-1/4" PFH WOOD SCREW	STEEL
1	JAMB (FINGER JOINT PINE)	WOOD
2	INTEGRAL MULLION (PINE, SG >=0.42)	WOOD
6	WEATHERSTRIP (MEDIUM REACH)	FOAM
7	WEATHERSTRIP (LONG REACH)	FOAM
8	SWEEP	VINYL
8A	SWEEP (USE w/ MODERATE CLIMATE THRESHOLD)	VINYL
8B	SWEEP (USE w/ PUBLIC ACCESS THRESHOLD)	VINYL
9	4" X 4" HINGE	STEEL
10	#10 x 3/4" PFH WOOD SCREW	STEEL
11	#10 X 1-3/4" PFH WOOD SCREW	STEEL
15	PUBLIC ACCESS THRESHOLD	ALUM
20	COASTAL ALUMINUM ASTRAGAL	STEEL
23	ASTRAGAL & SHOOTBOLT STRIKE PLATE (AT HEAD)	STEEL
24	ASTRAGAL & SHOOTBOLT STRIKE PLATE (AT SILL)	STEEL
27	LATCH STRIKE PLATE (STANDARD)	STEEL
28	DEADBOLT PLATE (STANDARD)	STEEL
29	TONGUE STRIKE PLATE (DOOR TONGUE SYSTEM)	STEEL
29A	TONGUE STRIKE PLATE (SIDELITE TONGUE SYSTEM)	STEEL
30	LATCH & DEADBOLT STRIKE PLATE (TONGUE SYSTEM)	ALUM/COMP
31	MULTIPOINT STRIKE PLATE (TONGUE SYSTEM)	ALUM/COMP
32	INSWING THRESHOLD	ALUM/COMP
33	INSWING THRESHOLD	ALUM/COMP
34	INSWING THRESHOLD	ALUM/COMP
35	INSWING THRESHOLD	ALUM/COMP
36	INSWING THRESHOLD	ALUM/COMP
37	INSWING THRESHOLD	ALUM/COMP
38	INSWING THRESHOLD	ALUM/COMP
39	INSWING THRESHOLD	ALUM/COMP
40	DOOR PANEL (BOOK)	-
41	DOOR PANEL (HYBRID)	-
42	DOOR PANEL (U1)	-
50	SIDELITE	-



Documents Prepared By: Lyndon F. Schmidt, P.E.
 TEXAS P.E. #104123

RW BUILDING CONSULTANTS, INC.
 P.O. Box 230 Valrico FL 33595
 Phone No.: 813.659.9197

TEXAS BOARD OF PROFESSIONAL ENGINEERS
 CERTIFICATE OF REGISTRATION # F-11852

PRODUCT: THERMA-TRU FIBERGLASS DOOR

PART OR ASSEMBLY: BILL OF MATERIALS

NO.	DATE	REVISIONS
1	9/21/21	UPDATE TO 2018 IBC/IRC CODE

DATE: 11/29/17
 SCALE: N.T.S.
 DWG. BY: JK
 CHK. BY: LFS
 DRAWING NO.: TX-4751
 SHEET 12 OF 12

CONCRETE ANCHOR NOTES:

- Concrete anchor locations at the corners may be adjusted to maintain the min. edge distance to mortar joints.
- Concrete anchor locations noted as "MAX. ON CENTER" must be adjusted to maintain the min. edge distance to mortar joints, additional concrete anchors may be required to ensure the "MAX. ON CENTER" dimension are not exceeded.
- Concrete anchor table:

ANCHOR TYPE	ANCHOR SIZE	MIN. EMBEDMENT	MIN. CLEARANCE TO MASONRY EDGE	MIN. CLEARANCE TO ADJACENT ANCHOR
ITW TAPCON®	1/4"	1-3/4"	2"	4"
DeWALT ULTRACON+®	1/4"	1-3/4"	1"	4"

WOOD SCREW INSTALLATION NOTES:

- Maintain a minimum 5/8" edge distance, 1" end distance, & 1" o.c. spacing of wood screws to prevent the splitting of wood.