

REVISIONS			
REV	DESCRIPTION	DATE	APPROVED
A	REVISED PER NEW CODE	02/10/2021	R.L.

NOTES:

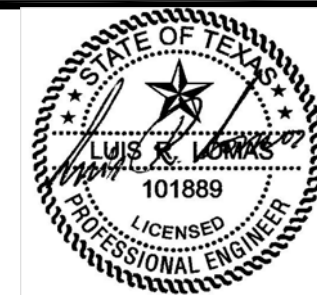
1. THE PRODUCT SHOWN HEREIN IS DESIGNED AND MANUFACTURED TO COMPLY WITH REQUIREMENTS OF THE 2018 IBC AND 2018 IRC.
2. WOOD FRAMING AND MASONRY OPENING TO BE DESIGNED AND ANCHORED TO PROPERLY TRANSFER ALL LOADS TO STRUCTURE. FRAMING AND MASONRY OPENING IS THE RESPONSIBILITY OF THE ARCHITECT OR ENGINEER OF RECORD.
3. 1X BUCK OVER MASONRY/CONCRETE IS OPTIONAL.
4. WHERE SHIM OR BUCK THICKNESS IS LESS THAN 1-1/2" WINDOW UNITS MUST BE ANCHORED THROUGH THE FRAME IN ACCORDANCE WITH MANUFACTURER'S PUBLISHED INSTALLATION INSTRUCTIONS. ANCHORS SHALL BE SECURELY FASTENED DIRECTLY INTO MASONRY, CONCRETE OR OTHER STRUCTURAL SUBSTRATE MATERIAL.
5. WHERE WOOD BUCK THICKNESS IS 1-1/2" OR GREATER, BUCK SHALL BE SECURELY FASTENED TO MASONRY, CONCRETE OR OTHER STRUCTURAL SUBSTRATE. WINDOW UNITS MAY BE ANCHORED THROUGH FRAME TO SECURED WOOD BUCK IN ACCORDANCE WITH MANUFACTURER'S PUBLISHED INSTALLATION INSTRUCTIONS.
6. WHERE 1X BUCK IS NOT USED DISSIMILAR MATERIALS MUST BE SEPARATED WITH APPROVED COATING OR MEMBRANE. SELECTION OF COATING OR MEMBRANE IS THE RESPONSIBILITY OF THE ARCHITECT OR ENGINEER OF RECORD.
7. BUCKS SHALL EXTEND BEYOND WINDOW INTERIOR FACE SO THAT FULL FRAME SUPPORT IS PROVIDED.
8. SHIM AS REQUIRED AT EACH ANCHOR LOCATION WITH LOAD BEARING SHIM. SHIM WHERE SPACE OF 1/16" OR GREATER OCCURS. MAXIMUM ALLOWABLE SHIM STACK TO BE 1/4".
9. SHIMS SHALL BE LOCATED, APPLIED AND MADE FROM MATERIALS AND THICKNESS CAPABLE OF SUSTAINING APPLICABLE LOADS.
10. WIND LOAD DURATION FACTOR Cd=1.6 WAS USED FOR WOOD ANCHOR CALCULATIONS.
11. FRAME MATERIAL: FOAM PVC CO-EX.
12. UNITS MUST BE GLAZED PER ASTM E1300, SEE SHEET 2 FOR GLASS DETAILS.
13. APPROVED IMPACT PROTECTIVE SYSTEM IS NOT REQUIRED FOR THIS PRODUCT IN WIND BORNE DEBRIS REGIONS.
14. FOR ANCHORING THROUGH FRAME INTO WOOD FRAMING OR 2X BUCK USE #10 WOOD SCREWS WITH SUFFICIENT LENGTH TO ACHIEVE A 1 1/4" MINIMUM EMBEDMENT INTO SUBSTRATE. LOCATE ANCHORS AS SHOWN IN ELEVATIONS AND INSTALLATION DETAILS.

15. FOR ANCHORING THROUGH FRAME INTO MASONRY/CONCRETE USE 1/4" ELCO CRETE-FLEX WITH SUFFICIENT LENGTH TO ACHIEVE A 1 1/4" MINIMUM EMBEDMENT INTO SUBSTRATE WITH 2" MINIMUM EDGE DISTANCE. LOCATE ANCHORS AS SHOWN IN ELEVATIONS AND INSTALLATION DETAILS.
16. FOR ANCHORING THROUGH FRAME INTO METAL STRUCTURE USE #10 SMS OR SELF DRILLING SCREWS WITH SUFFICIENT LENGTH TO ACHIEVE 3 THREADS MINIMUM BEYOND STRUCTURE INTERIOR WALL. LOCATE ANCHORS AS SHOWN IN ELEVATIONS AND INSTALLATION DETAILS.
17. ALL FASTENERS TO BE CORROSION RESISTANT.
18. INSTALLATION ANCHORS SHALL BE INSTALLED IN ACCORDANCE WITH ANCHOR MANUFACTURER'S INSTALLATION INSTRUCTIONS AND ANCHORS SHALL NOT BE USED IN SUBSTRATES WITH STRENGTHS LESS THAN THE MINIMUM STRENGTH SPECIFIED BELOW:
  - A. WOOD: MINIMUM SPECIFIC GRAVITY OF G=0.42
  - B. CONCRETE: MINIMUM COMPRESSIVE STRENGTH OF 2,000 PSI.
  - C. MASONRY: HOLLOW/FILLED BLOCK PER ASTM C90 WITH Fm=2,000PSI MINIMUM.
  - D. METAL STRUCTURE: STEEL 18GA (.048") FY=33KSI/FU=52KSI OR ALUMINUM 6063-T5 FU=30KSI .125" THICK MINIMUM
19. APPROVED CONFIGURATIONS: OXX, XXO, XX, OX, XO

SIGNED: 02/10/2021

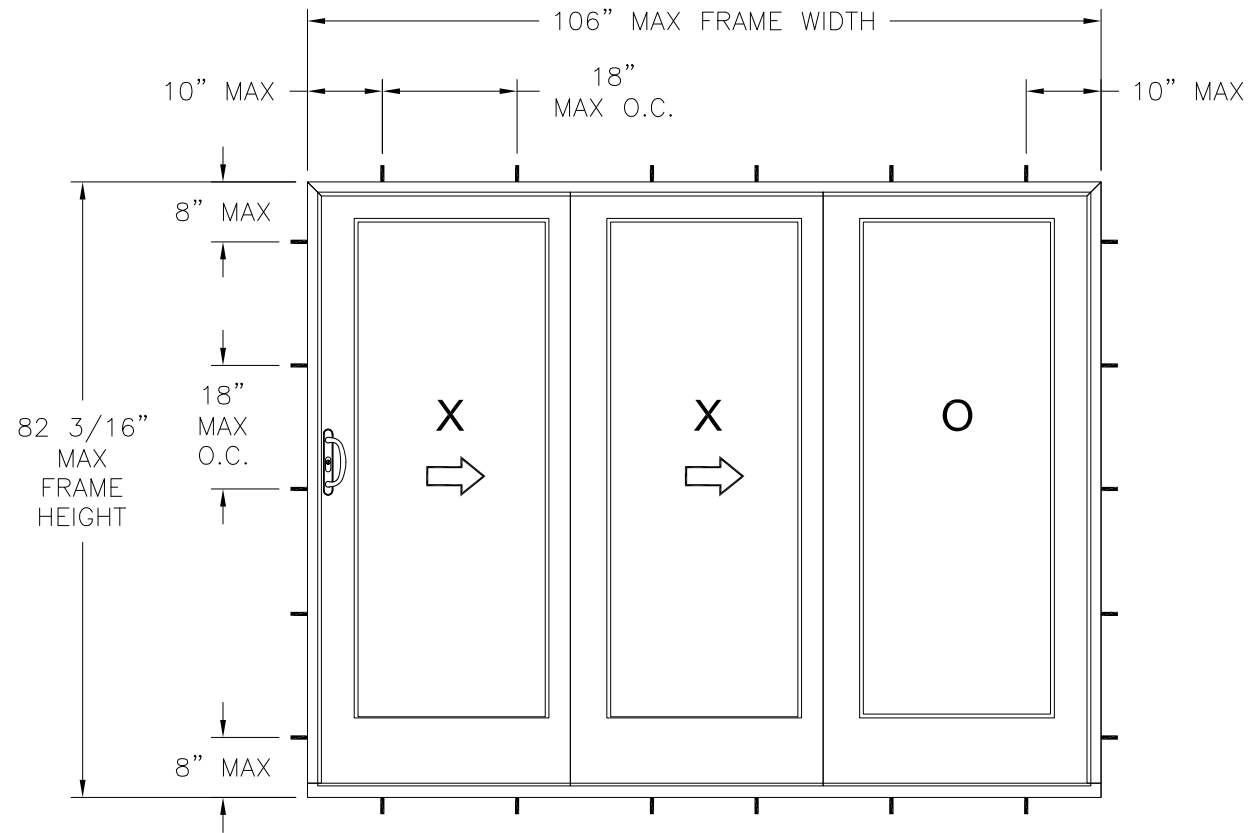
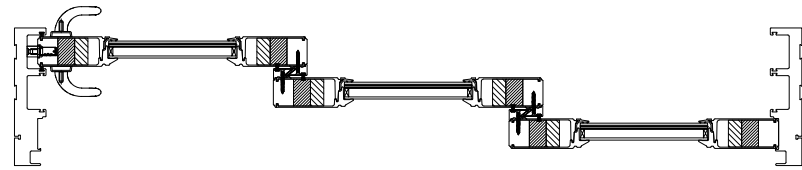
TABLE OF CONTENTS	
SHEET NO.	DESCRIPTION
1	NOTES
2	ELEVATION AND GLASS DETAILS
3 - 5	INSTALLATION DETAILS
6	COMPONENTS

NAN YA PLASTICS CORPORATION USA 8989 NORTH LOOP EAST, SUITE 800 HOUSTON, TX 77029		
SERIES LPS GLIDING PATIO DOOR GLAZED FIBERGLASS SGD W/SILL RISER & BUBBLE COVER NOTES		
DRAWN: A.R.	DWG NO. 08-03122	REV A
SCALE NTS	DATE 07/27/17	SHEET 1 OF 6
L. ROBERTO LOMAS P.E. 1432 WOODFORD RD LEWISVILLE, NC 27023 434-688-0609 rllomas@lrlomaspe.com		



Luis R. Lomas P.E.  
TX No.: 101889

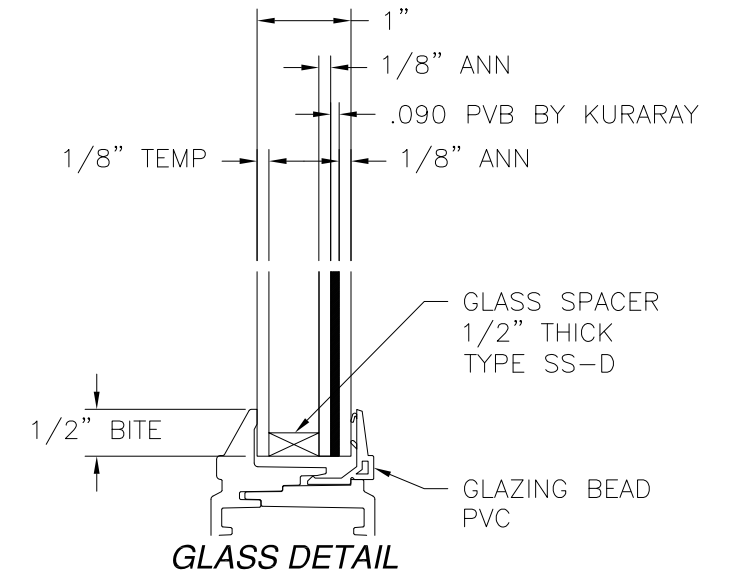
REVISIONS			
REV	DESCRIPTION	DATE	APPROVED
A	REVISED PER NEW CODE	02/10/2021	R.L.



**LPS GLIDING PATIO DOOR**

**NOTES:**

1. MAXIMUM PANEL SIZE: 35 3/4" x 79 1/4"
2. MAXIMUM D.L.O.: 26 1/4" x 66"



WITH STANDARD SILL

DESIGN PRESSURE RATING	IMPACT RATING
±50.0PSF	LARGE MISSILE IMPACT

MISSILE LEVEL D, WIND ZONE 4

WITH SILL RISER

DESIGN PRESSURE RATING	IMPACT RATING
±50.0PSF	LARGE MISSILE IMPACT

MISSILE LEVEL D, WIND ZONE 4

WITH SILL RISER AND BUBBLE COVER

DESIGN PRESSURE RATING	IMPACT RATING
±50.0PSF	LARGE MISSILE IMPACT

MISSILE LEVEL D, WIND ZONE 4

**HARDWARE SCHEDULE**

A.	(1) SINGLE LOCK (STAINLESS STEEL, DIE STEEL) AT 37 1/2" FROM FRAME SILL
B.	(1) LOCK KEEPER (STAINLESS STEEL) AT EACH LOCKING POINT LOCATION
C.	(1) HANDLE SET (DIE CASTING) AT ACTIVE PANEL
D.	(4) ADJUSTABLE ROLLER AT EACH END OF BOTTOM RAIL

SIGNED: 02/10/2021

NAN YA PLASTICS CORPORATION USA  
8989 NORTH LOOP EAST, SUITE 800  
HOUSTON, TX 77029

SERIES LPS GLIDING PATIO DOOR GLAZED  
FIBERGLASS SGD W/SILL RISER & BUBBLE COVER  
ELEVATION AND GLASS DETAILS

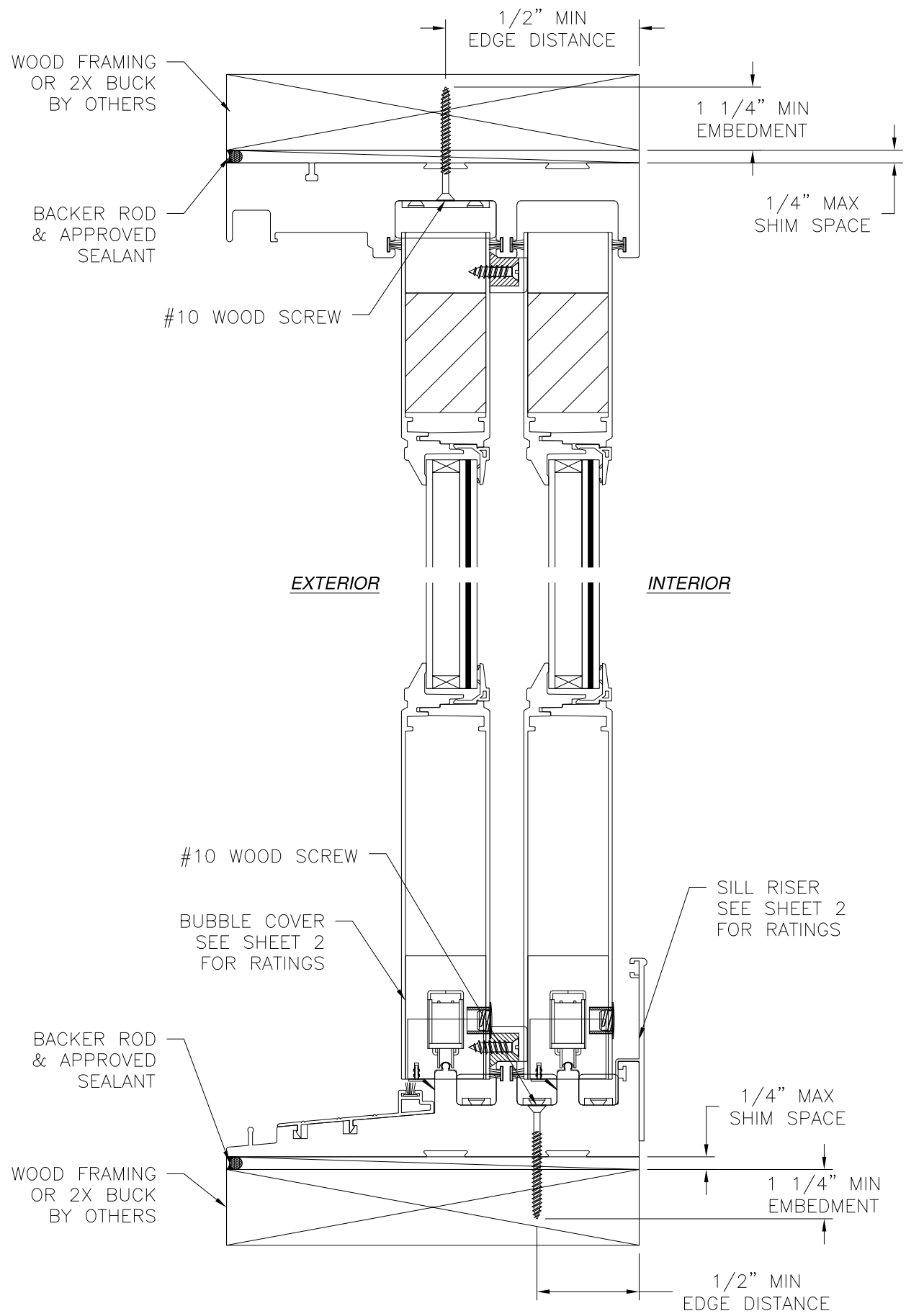
DRAWN: A.R.	DWG NO. 08-03122	REV A
SCALE NTS	DATE 07/27/17	SHEET 2 OF 6

L. ROBERTO LOMAS P.E.  
1432 WOODFORD RD LEWISVILLE, NC 27023  
434-688-0609 rllomas@rlomaspe.com

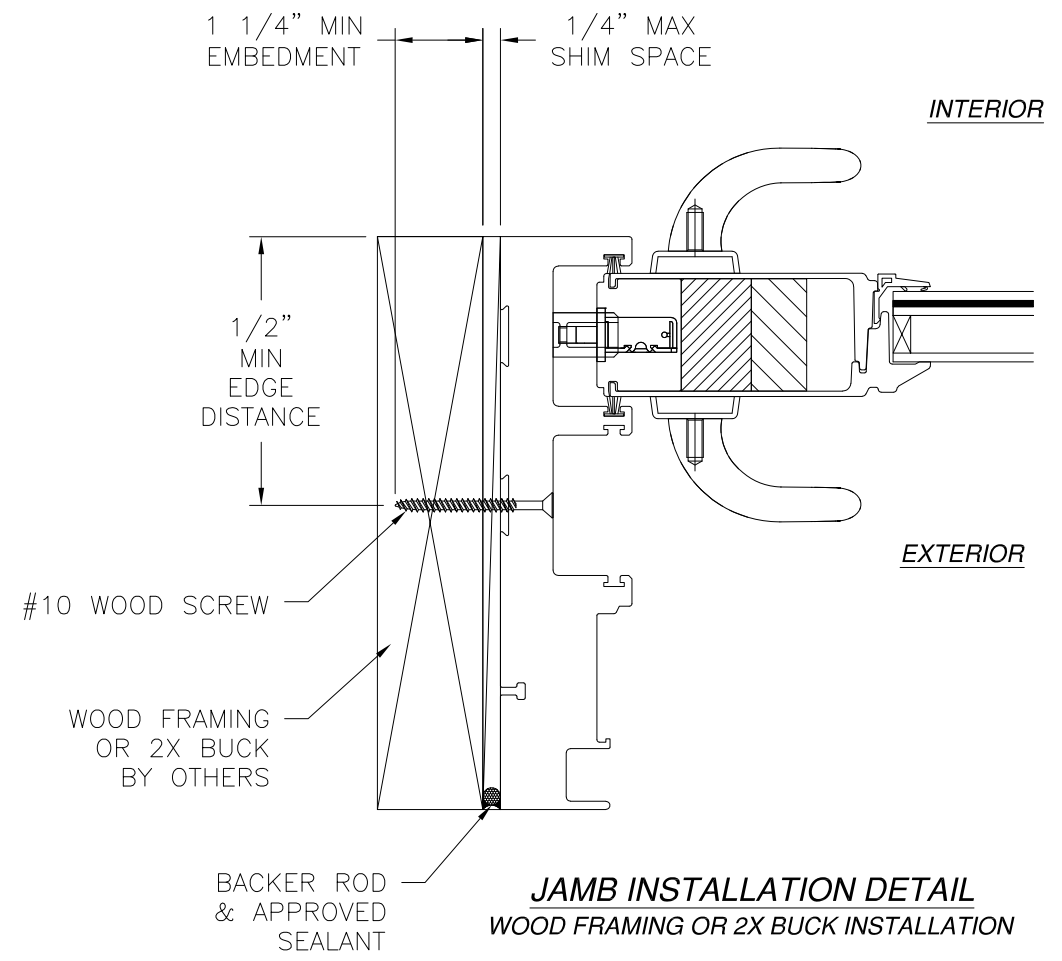


Luis R. Lomas P.E.  
TX No.: 101889

REVISIONS			
REV	DESCRIPTION	DATE	APPROVED
A	REVISED PER NEW CODE	02/10/2021	R.L.



**VERTICAL CROSS SECTION**  
WOOD FRAMING OR 2X BUCK INSTALLATION



**JAMB INSTALLATION DETAIL**  
WOOD FRAMING OR 2X BUCK INSTALLATION

- NOTES:**
1. INTERIOR AND EXTERIOR FINISHES, BY OTHERS, NOT SHOWN FOR CLARITY.
  2. PERIMETER AND JOINT SEALANT BY OTHERS TO BE DESIGNED IN ACCORDANCE WITH ASTM E2112

SIGNED: 02/10/2021

**NAN YA PLASTICS CORPORATION USA**  
8989 NORTH LOOP EAST, SUITE 800  
HOUSTON, TX 77029

SERIES LPS GLIDING PATIO DOOR GLAZED  
FIBERGLASS SGD W/SILL RISER & BUBBLE COVER  
INSTALLATION DETAILS

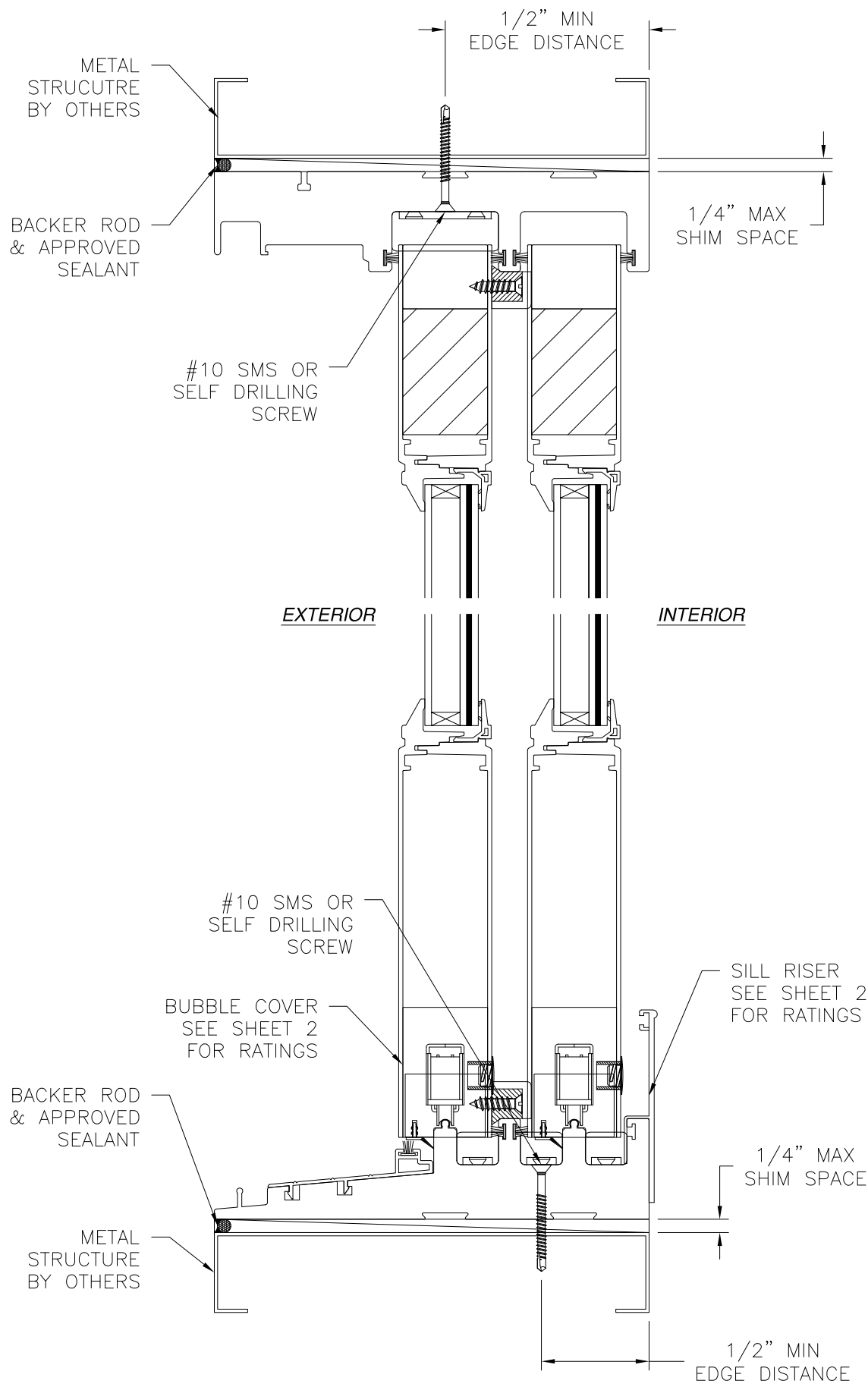
DRAWN: A.R.	DWG NO. 08-03122	REV A
SCALE NTS	DATE 07/27/17	SHEET 3 OF 6

L. ROBERTO LOMAS P.E.  
1432 WOODFORD RD LEWISVILLE, NC 27023  
434-688-0609 rllomas@rlomaspe.com

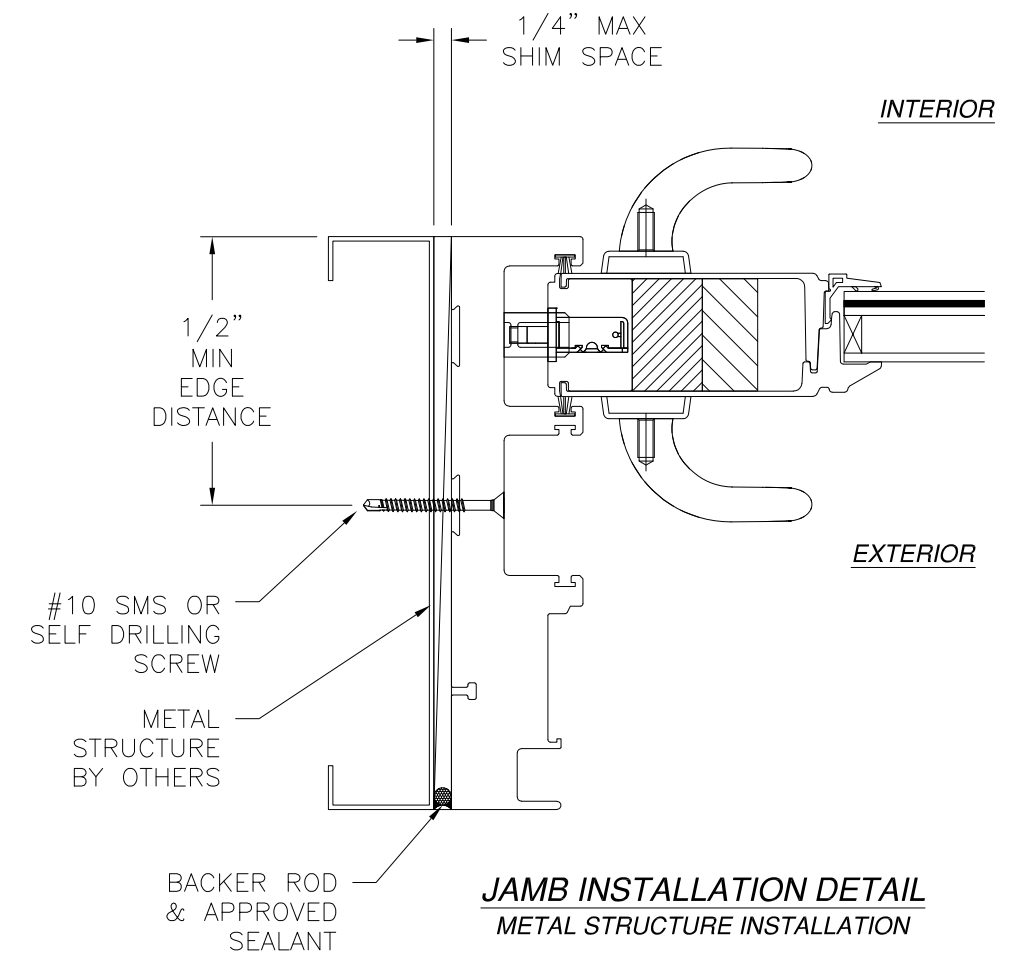


Luis R. Lomas P.E.  
TX No.: 101889

REVISIONS			
REV	DESCRIPTION	DATE	APPROVED
A	REVISED PER NEW CODE	02/10/2021	R.L.



**VERTICAL CROSS SECTION  
METAL STRUCTURE INSTALLATION**



**JAMB INSTALLATION DETAIL  
METAL STRUCTURE INSTALLATION**

- NOTES:**
1. INTERIOR AND EXTERIOR FINISHES, BY OTHERS, NOT SHOWN FOR CLARITY.
  2. PERIMETER AND JOINT SEALANT BY OTHERS TO BE DESIGNED IN ACCORDANCE WITH ASTM E2112

SIGNED: 02/10/2021

**NAN YA PLASTICS CORPORATION USA**  
 8989 NORTH LOOP EAST, SUITE 800  
 HOUSTON, TX 77029

SERIES LPS GLIDING PATIO DOOR GLAZED  
 FIBERGLASS SGD W/SILL RISER & BUBBLE COVER  
 INSTALLATION DETAILS

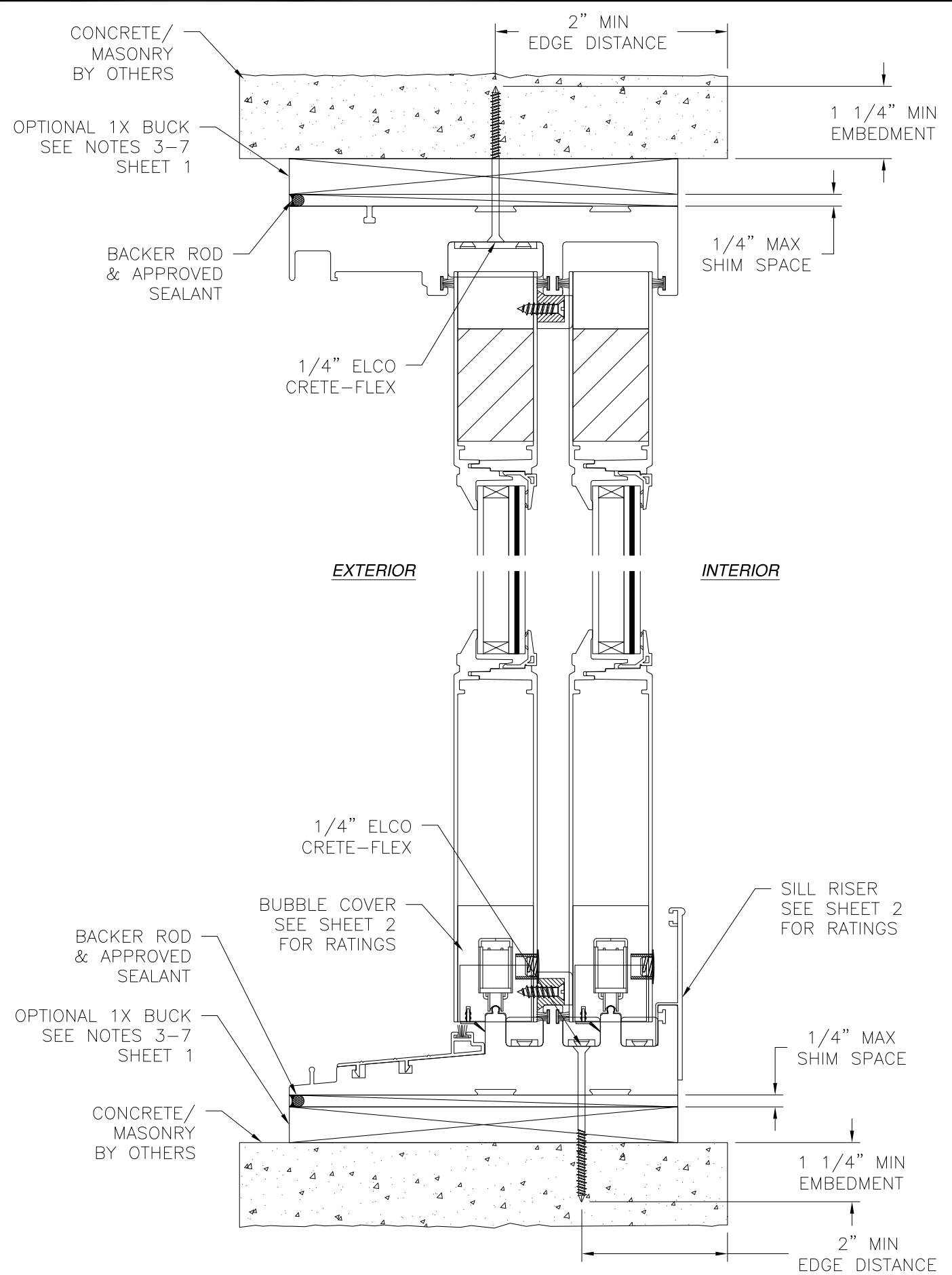
DRAWN: A.R.	DWG NO. 08-03122	REV A
SCALE NTS	DATE 07/27/17	SHEET 4 OF 6

L. ROBERTO LOMAS P.E.  
 1432 WOODFORD RD LEWISVILLE, NC 27023  
 434-688-0609 rllomas@rlomaspe.com

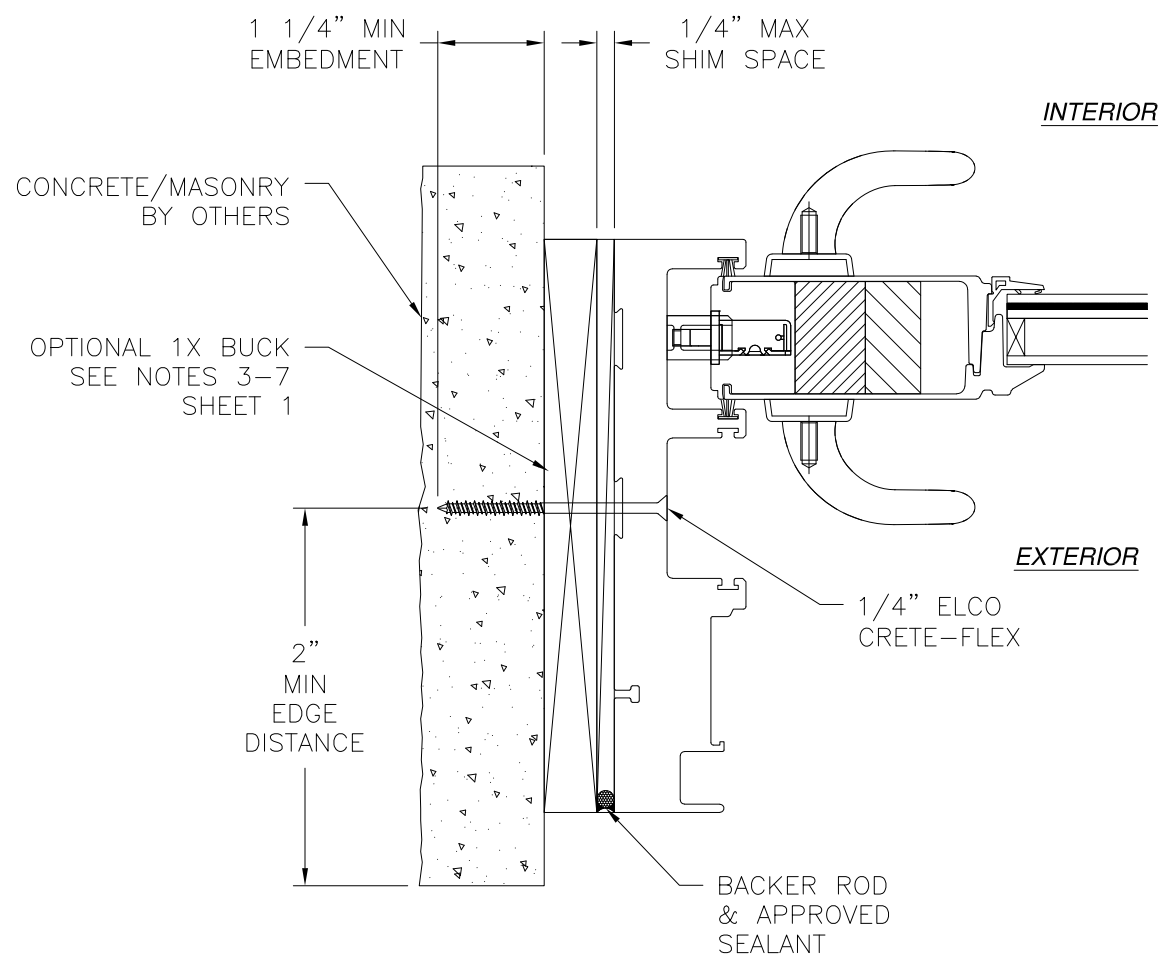


Luis R. Lomas P.E.  
 TX No.: 101889

REVISIONS			
REV	DESCRIPTION	DATE	APPROVED
A	REVISED PER NEW CODE	02/10/2021	R.L.



**VERTICAL CROSS SECTION  
CONCRETE/MASONRY INSTALLATION**



**JAMB INSTALLATION DETAIL  
CONCRETE/MASONRY INSTALLATION**

- NOTES:**
1. INTERIOR AND EXTERIOR FINISHES, BY OTHERS, NOT SHOWN FOR CLARITY.
  2. PERIMETER AND JOINT SEALANT BY OTHERS TO BE DESIGNED IN ACCORDANCE WITH ASTM E2112

SIGNED: 02/10/2021

**NAN YA PLASTICS CORPORATION USA**  
 8989 NORTH LOOP EAST, SUITE 800  
 HOUSTON, TX 77029

SERIES LPS GLIDING PATIO DOOR GLAZED  
 FIBERGLASS SGD W/SILL RISER & BUBBLE COVER  
 INSTALLATION DETAILS

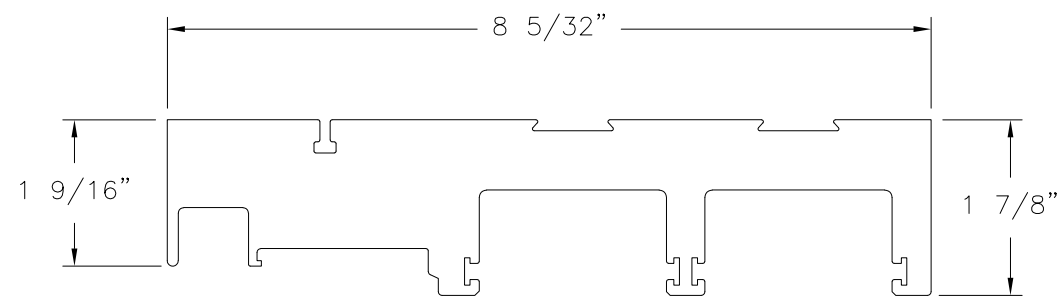
DRAWN: A.R.	DWG NO. 08-03122	REV A
SCALE NTS	DATE 07/27/17	SHEET 5 OF 6

L. ROBERTO LOMAS P.E.  
 1432 WOODFORD RD LEWISVILLE, NC 27023  
 434-688-0609 rllomas@lrlomaspe.com

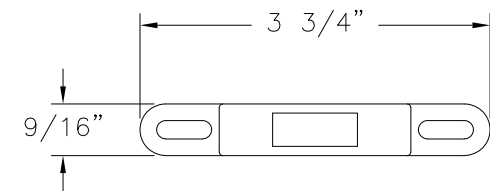


Luis R. Lomas P.E.  
 TX No.: 101889

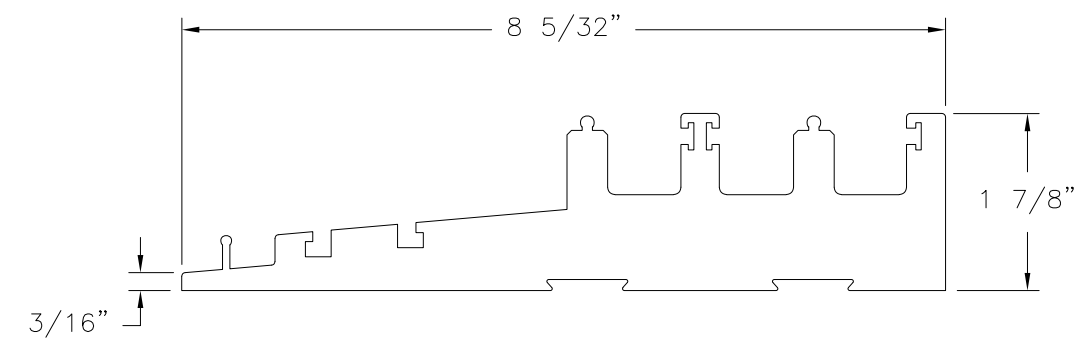
REVISIONS			
REV	DESCRIPTION	DATE	APPROVED
A	REVISED PER NEW CODE	02/10/2021	R.L.



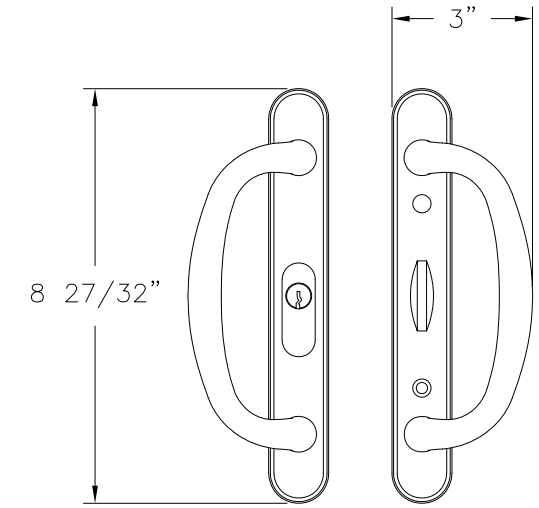
**FRAME HEAD & JAMB**  
FOAM PVC CO-EX



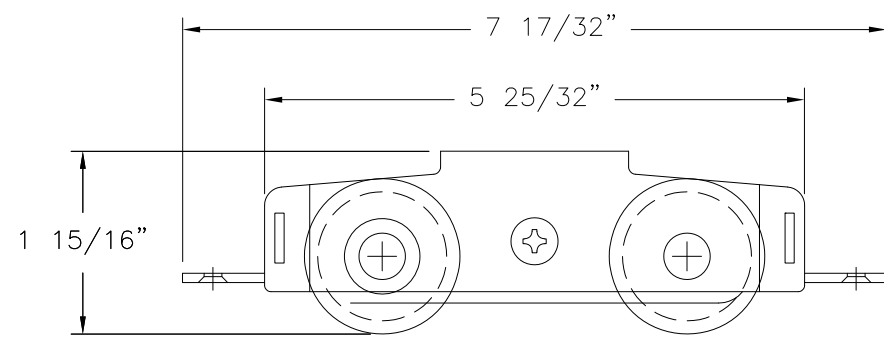
**LOCK KEEPER**  
STAINLESS STEEL



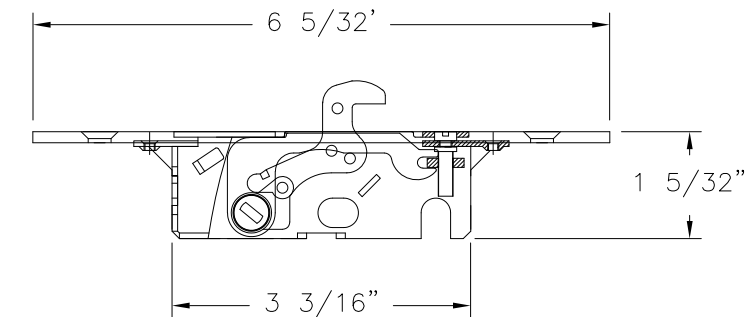
**SILL**  
FOAM PVC



**HANDLE SET**  
DIE CASTING



**ADJUSTABLE ROLLER**  
STAINLESS STEEL



**SINGLE LOCK**  
STAINLESS STEEL, DIE STEEL

NAN YA PLASTICS CORPORATION USA  
8989 NORTH LOOP EAST, SUITE 800  
HOUSTON, TX 77029

SERIES LPS GLIDING PATIO DOOR GLAZED  
FIBERGLASS SGD W/SILL RISER & BUBBLE COVER  
COMPONENTS

DRAWN: A.R.	DWG NO. 08-03122	REV A
SCALE NTS	DATE 07/27/17	SHEET 6 OF 6

L. ROBERTO LOMAS P.E.  
1432 WOODFORD RD LEWISVILLE, NC 27023  
434-688-0609 rllomas@lrlomaspe.com

SIGNED: 02/10/2021



Luis R. Lomas P.E.  
TX No.: 101889