

REVISIONS			
REV	DESCRIPTION	DATE	APPROVED
B	REVISED PER NEW REQUIREMENTS	12/19/19	R.L.

NOTES:

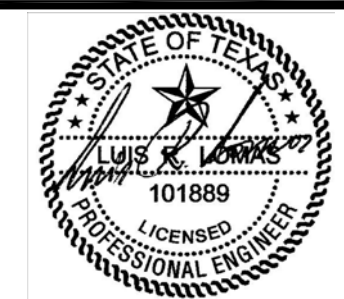
1. THE PRODUCT SHOWN HEREIN IS DESIGNED AND MANUFACTURED TO COMPLY WITH REQUIREMENTS OF THE 2018 IBC AND 2018 IRC.
2. WOOD FRAMING AND MASONRY OPENING TO BE DESIGNED AND ANCHORED TO PROPERLY TRANSFER ALL LOADS TO STRUCTURE. FRAMING AND MASONRY OPENING IS THE RESPONSIBILITY OF THE ARCHITECT OR ENGINEER OF RECORD.
3. 1X BUCK OVER MASONRY/CONCRETE IS OPTIONAL.
4. WHERE SHIM OR BUCK THICKNESS IS LESS THAN 1-1/2" FENESTRATION UNITS MUST BE ANCHORED THROUGH THE FRAME IN ACCORDANCE WITH MANUFACTURER'S PUBLISHED INSTALLATION INSTRUCTIONS. ANCHORS SHALL BE SECURELY FASTENED DIRECTLY INTO MASONRY, CONCRETE OR OTHER STRUCTURAL SUBSTRATE MATERIAL.
5. WHERE WOOD BUCK THICKNESS IS 1-1/2" OR GREATER, BUCK SHALL BE SECURELY FASTENED TO MASONRY, CONCRETE OR OTHER STRUCTURAL SUBSTRATE. FENESTRATION UNITS MAY BE ANCHORED THROUGH FRAME TO SECURED WOOD BUCK IN ACCORDANCE WITH MANUFACTURER'S PUBLISHED INSTALLATION INSTRUCTIONS.
6. WHERE 1X BUCK IS NOT USED DISSIMILAR MATERIALS MUST BE SEPARATED WITH APPROVED COATING OR MEMBRANE. SELECTION OF COATING OR MEMBRANE IS THE RESPONSIBILITY OF THE ARCHITECT OR ENGINEER OF RECORD.
7. BUCKS SHALL EXTEND BEYOND WINDOW INTERIOR FACE SO THAT FULL FRAME SUPPORT IS PROVIDED.
8. SHIM AS REQUIRED AT EACH ANCHOR LOCATION WITH LOAD BEARING SHIM. SHIM WHERE SPACE OF 1/16" OR GREATER OCCURS. MAXIMUM ALLOWABLE SHIM STACK TO BE 1/4".
9. SHIMS SHALL BE LOCATED, APPLIED AND MADE FROM MATERIALS AND THICKNESS CAPABLE OF SUSTAINING APPLICABLE LOADS.
10. WIND LOAD DURATION FACTOR Cd=1.6 WAS USED FOR WOOD ANCHOR CALCULATIONS.
11. FRAME MATERIAL: FOAM PVC CO-EX.
12. UNITS MUST BE GLAZED PER ASTM E1300-04/09, SEE SHEET 2 FOR DETAILS.
13. APPROVED IMPACT PROTECTIVE SYSTEM IS NOT REQUIRED FOR THIS PRODUCT IN WIND BORNE DEBRIS REGIONS.
14. FOR ANCHORING THROUGH FRAME INTO WOOD FRAMING OR 2X BUCK USE #10 WOOD SCREWS WITH SUFFICIENT LENGTH TO ACHIEVE A 1 1/4" MINIMUM EMBEDMENT INTO SUBSTRATE. LOCATE ANCHORS AS SHOWN IN ELEVATIONS AND INSTALLATION DETAILS.
15. FOR ANCHORING THROUGH FRAME INTO MASONRY/CONCRETE USE 3/16" TAPCONS WITH

- SUFFICIENT LENGTH TO ACHIEVE A 1 1/4" MINIMUM EMBEDMENT INTO SUBSTRATE WITH 1 1/2" MINIMUM EDGE DISTANCE. LOCATE ANCHORS AS SHOWN IN ELEVATIONS AND INSTALLATION DETAILS.
16. FOR ANCHORING THROUGH FRAME INTO METAL STRUCTURE USE #10 SMS OR SELF DRILLING SCREWS WITH SUFFICIENT LENGTH TO ACHIEVE 3 THREADS MINIMUM BEYOND STRUCTURE INTERIOR WALL. LOCATE ANCHORS AS SHOWN IN ELEVATIONS AND INSTALLATION DETAILS.
 17. ALL FASTENERS TO BE CORROSION RESISTANT.
 18. INSTALLATION ANCHORS SHALL BE INSTALLED IN ACCORDANCE WITH ANCHOR MANUFACTURER'S INSTALLATION INSTRUCTIONS AND ANCHORS SHALL NOT BE USED IN SUBSTRATES WITH STRENGTHS LESS THAN THE MINIMUM STRENGTH SPECIFIED BELOW:
 - A. WOOD: MINIMUM SPECIFIC GRAVITY OF G=0.42
 - B. CONCRETE: MINIMUM COMPRESSIVE STRENGTH OF 2,000 PSI.
 - C. MASONRY: HOLLOW/FILLED BLOCK PER ASTM C90 WITH Fm=2,000PSI MINIMUM.
 - D. METAL STRUCTURE: STEEL 18GA (.048") FY=33KSI/FU=52KSI OR ALUMINUM 6063-T5 FU=30KSI .058" THICK MINIMUM
 19. APPROVED CONFIGURATIONS: O, X, OX, XO, OXX, XXO, O/O/X/O, O/X/OX, O/XO/O, OXX/O, O/XXO.

TABLE OF CONTENTS	
SHEET NO.	DESCRIPTION
1	NOTES
2	ELEVATION
3 - 9	INSTALLATION DETAILS
10	COMPONENTS

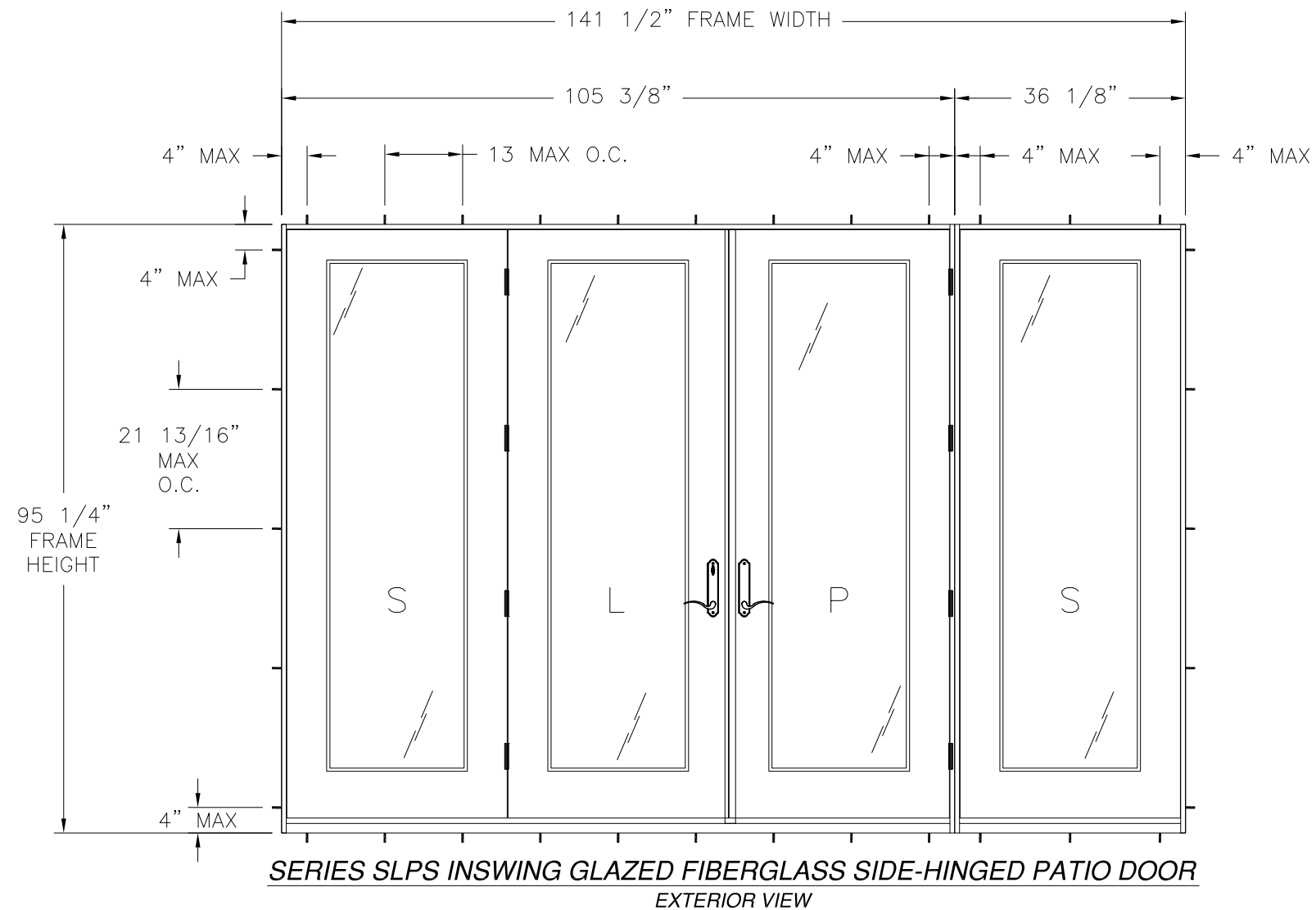
NAN YA PLASTICS CORP. USA 8989 NORTH LOOP EAST HOUSTON, TX 77029		
SERIES SLPS INSWING GLAZED FIBERGLASS SIDE-HINGED PATIO DOOR - IMPACT NOTES		
DRAWN: A.R.	DWG NO. 08-02977	REV B
SCALE NTS	DATE 04/19/17	SHEET 1 OF 10
L. ROBERTO LOMAS P.E. 1432 WOODFORD RD LEWISVILLE, NC 27023 434-688-0609 rllomas@lrlomaspe.com		

SIGNED: 08/20/2020

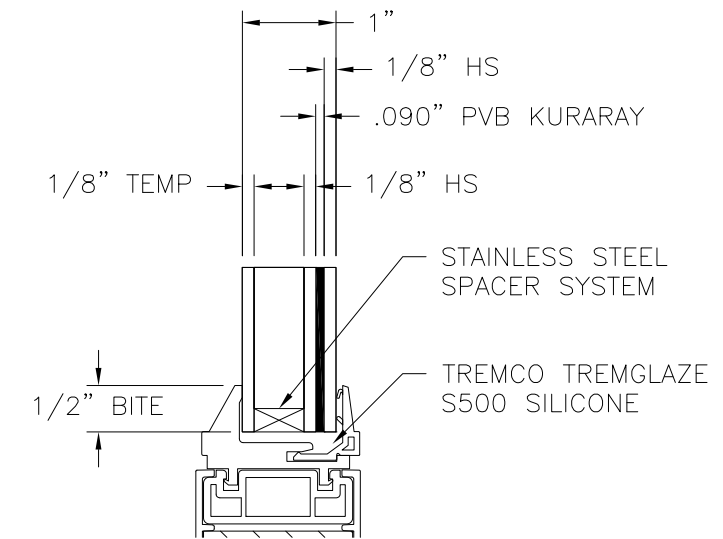


Luis R. Lomas P.E.
TX No.: 101889

REVISIONS			
REV	DESCRIPTION	DATE	APPROVED
B	REVISED PER NEW REQUIREMENTS	12/19/19	R.L.



- NOTES:**
- PANEL SIZE: 34 1/2" X 92 1/16"
 - D.L.O.: 21" X 79"



DESIGN PRESSURE RATING	IMPACT RATING
±60.0PSF	LARGE AND SMALL MISSILE IMPACT

OXX/O CONFIGURATION SHOWN, CONFIGURATIONS LISTED IN NOTE 19 ARE APPROVED AS LONG AS INDIVIDUAL PANEL AREA DOES NOT EXCEED 22.05 FT²

SIGNED: 08/20/2020

NAN YA PLASTICS CORP. USA
8989 NORTH LOOP EAST
HOUSTON, TX 77029

SERIES SLPS INSWING GLAZED FIBERGLASS
SIDE-HINGED PATIO DOOR – IMPACT
ELEVATION

DRAWN: A.R.	DWG NO. 08-02977	REV B
SCALE NTS	DATE 04/19/17	SHEET 2 OF 10

L. ROBERTO LOMAS P.E.
1432 WOODFORD RD LEWISVILLE, NC 27023
434-688-0609 rllomas@rlomaspe.com

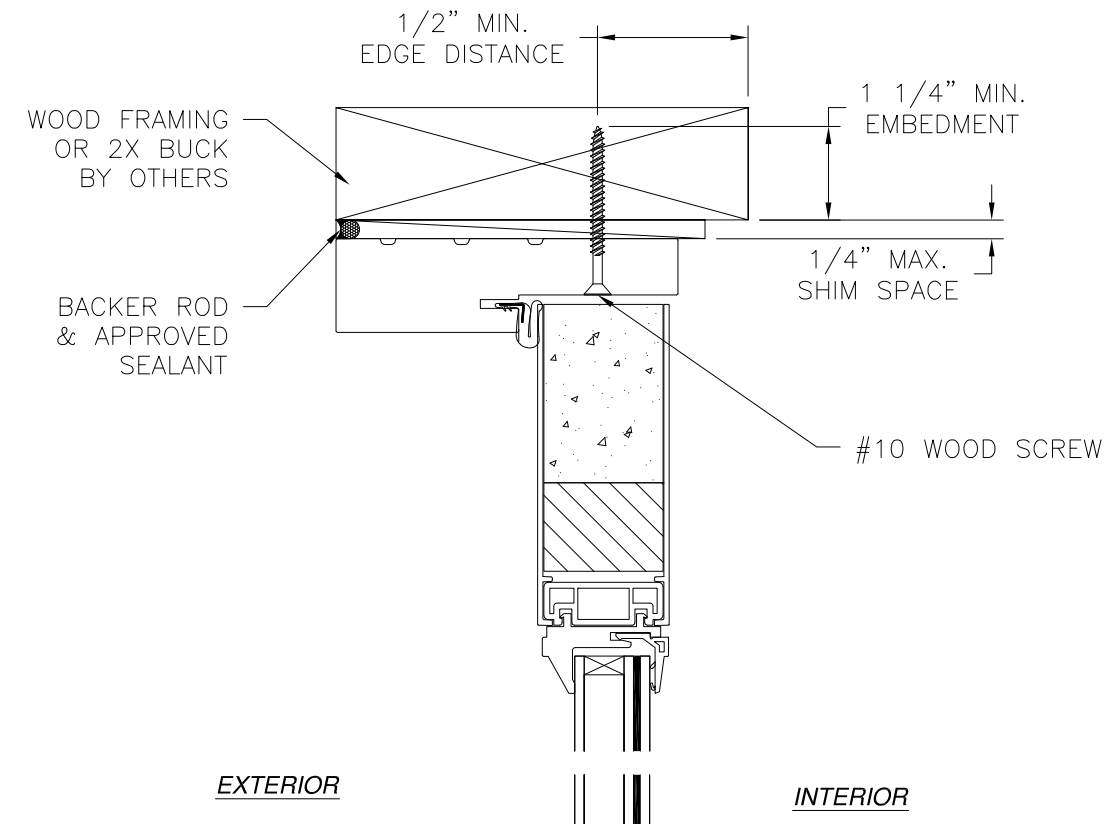


Luis R. Lomas P.E.
TX No.: 101889

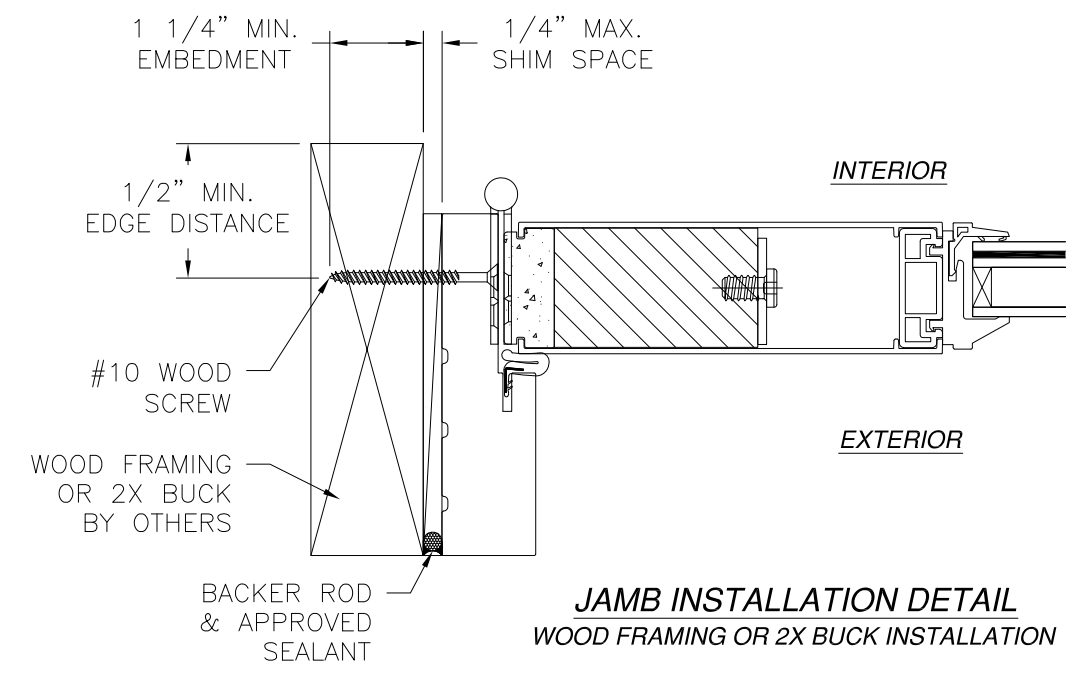
HARDWARE SCHEDULE

A.	(1) MULTI-POINT LOCKING SYSTEM W/KEEPER LOCATED 9" FROM HEAD AND SILL
B.	TOP/BOTTOM BAR KEEPER AT FRAME HEAD AND SILL
C.	4X4 DOOR HINGE AT 8", 34", 60", AND 86" FROM FRAME HEAD
D.	CONNECTION PLATE AT HEAD AND SILL OF PANEL/SIDELITE CONNECTION
E.	ALUMINUM REINFORCEMENT (A) AT ASTRAGAL
F.	STEEL REINFORCEMENT AT ACTIVE, PASSIVE, FIXED AND STATIONARY PANEL STILES

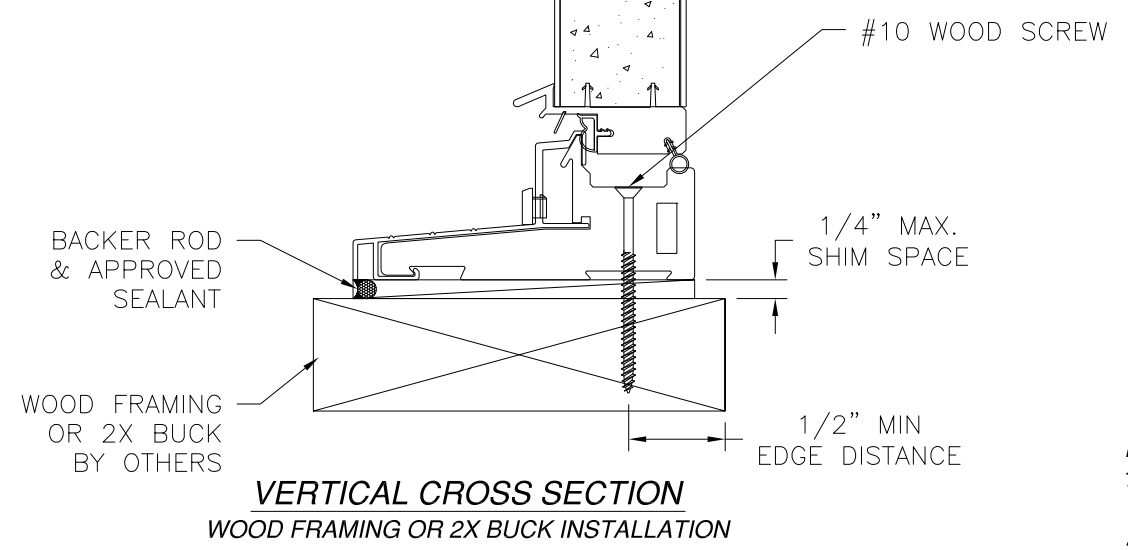
REVISIONS			
REV	DESCRIPTION	DATE	APPROVED
B	REVISED PER NEW REQUIREMENTS	12/19/19	R.L.



EXTERIOR INTERIOR



JAMB INSTALLATION DETAIL
WOOD FRAMING OR 2X BUCK INSTALLATION



VERTICAL CROSS SECTION
WOOD FRAMING OR 2X BUCK INSTALLATION

- NOTES:**
1. INTERIOR AND EXTERIOR FINISHES, BY OTHERS, NOT SHOWN FOR CLARITY.
 2. PERIMETER AND JOINT SEALANT BY OTHERS TO BE DESIGNED IN ACCORDANCE WITH ASTM E2112

NAN YA PLASTICS CORP. USA
8989 NORTH LOOP EAST
HOUSTON, TX 77029

SERIES SLPS INSWING GLAZED FIBERGLASS
SIDE-HINGED PATIO DOOR – IMPACT
DOOR INSTALLATION DETAILS

DRAWN: A.R.	DWG NO. 08-02977	REV B
SCALE NTS	DATE 04/19/17	SHEET 3 OF 10

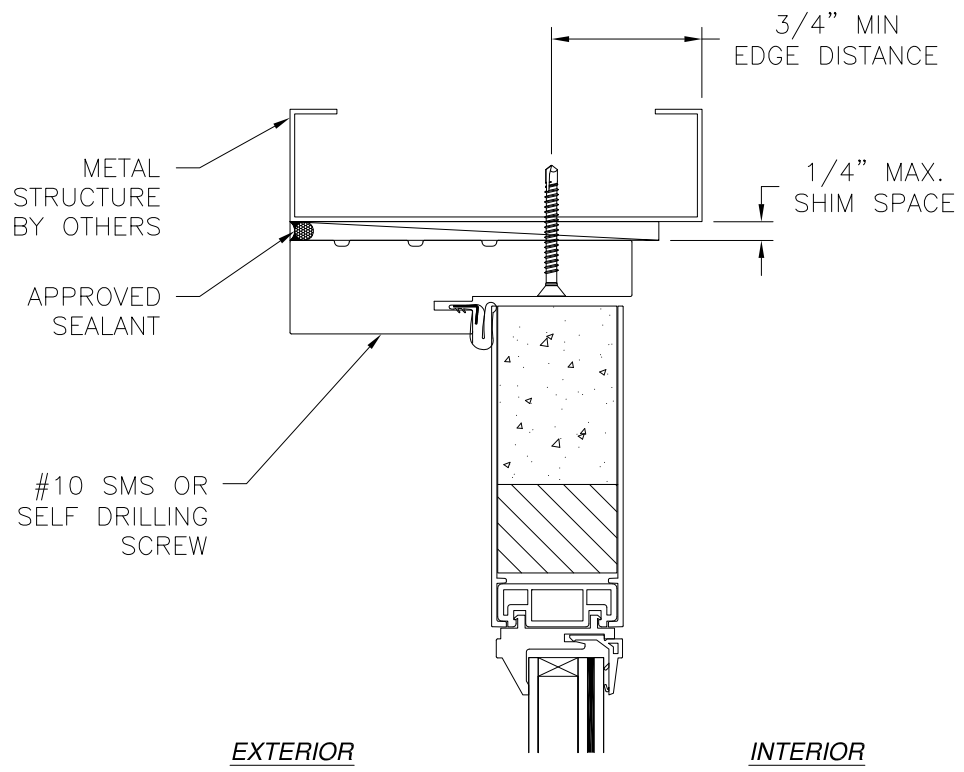
L. ROBERTO LOMAS P.E.
1432 WOODFORD RD LEWISVILLE, NC 27023
434-688-0609 rllomas@rlomaspe.com

SIGNED: 08/20/2020

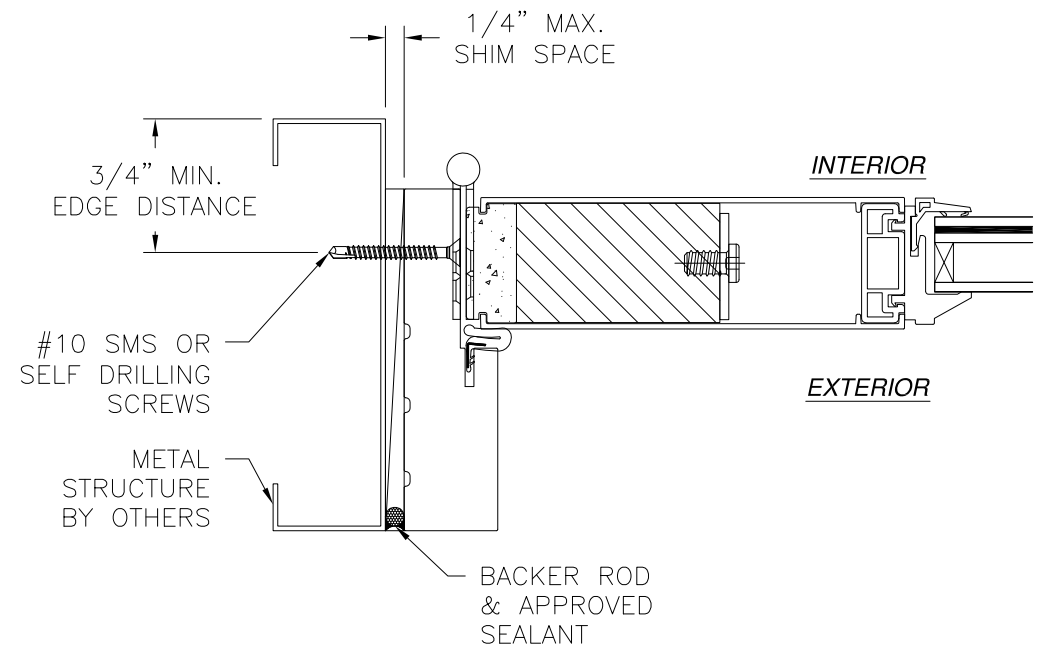


Luis R. Lomas P.E.
TX No.: 101889

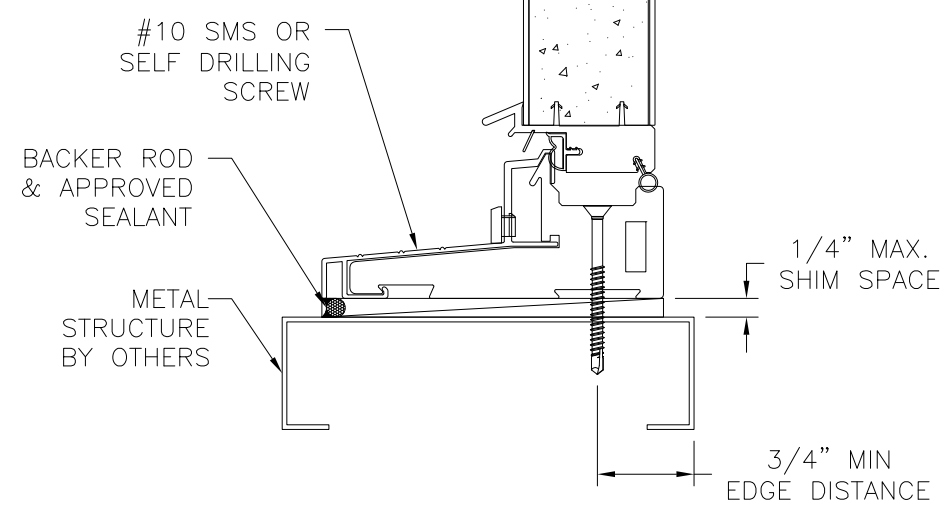
REVISIONS			
REV	DESCRIPTION	DATE	APPROVED
B	REVISED PER NEW REQUIREMENTS	12/19/19	R.L.



EXTERIOR INTERIOR



JAMB INSTALLATION DETAIL
METAL STRUCTURE INSTALLATION



VERTICAL CROSS SECTION
METAL STRUCTURE INSTALLATION

- NOTES:**
1. INTERIOR AND EXTERIOR FINISHES, BY OTHERS, NOT SHOWN FOR CLARITY.
 2. PERIMETER AND JOINT SEALANT BY OTHERS TO BE DESIGNED IN ACCORDANCE WITH ASTM E2112

NAN YA PLASTICS CORP. USA
8989 NORTH LOOP EAST
HOUSTON, TX 77029

SERIES SLPS INSWING GLAZED FIBERGLASS
SIDE-HINGED PATIO DOOR – IMPACT
DOOR INSTALLATION DETAILS

DRAWN: A.R.	DWG NO. 08-02977	REV B
SCALE NTS	DATE 04/19/17	SHEET 4 OF 10

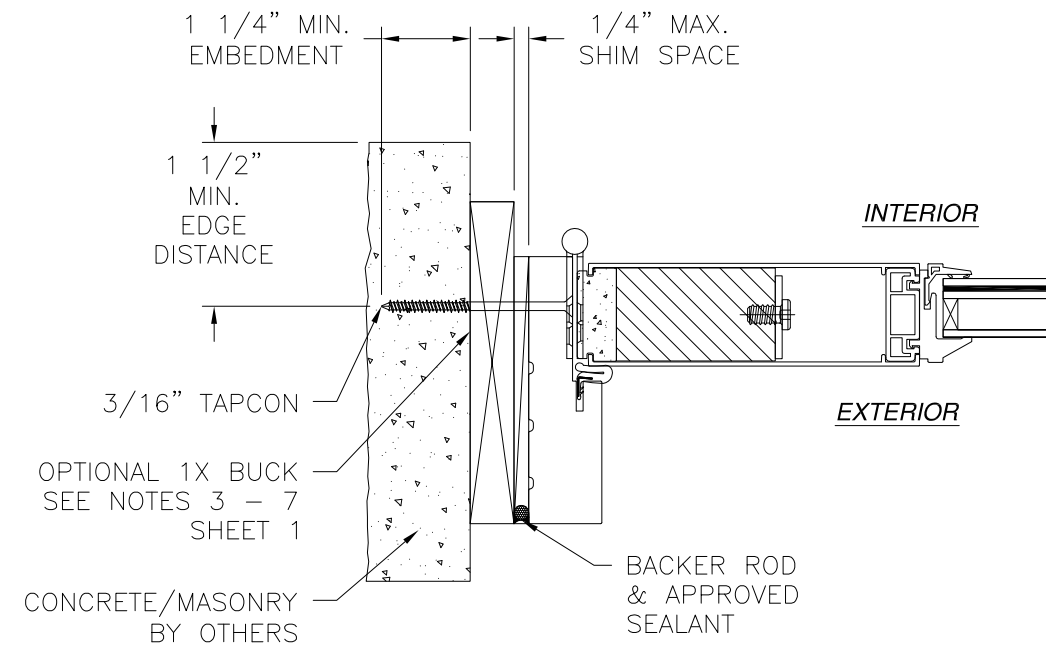
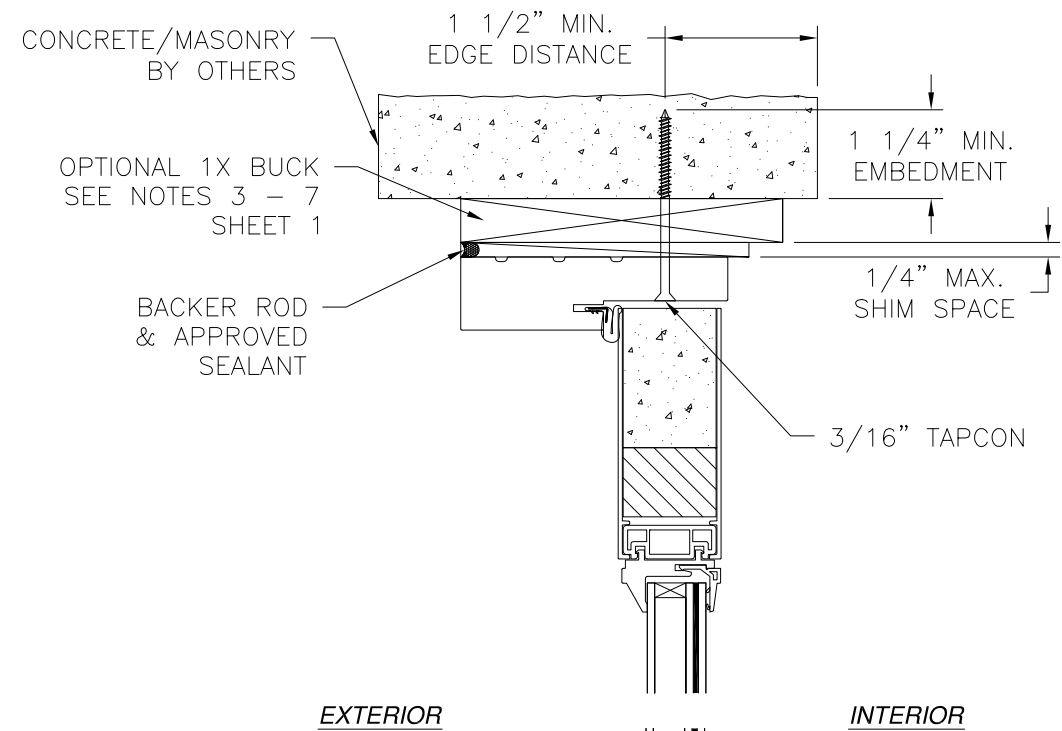
L. ROBERTO LOMAS P.E.
1432 WOODFORD RD LEWISVILLE, NC 27023
434-688-0609 rllomas@rlomaspe.com

SIGNED: 08/20/2020

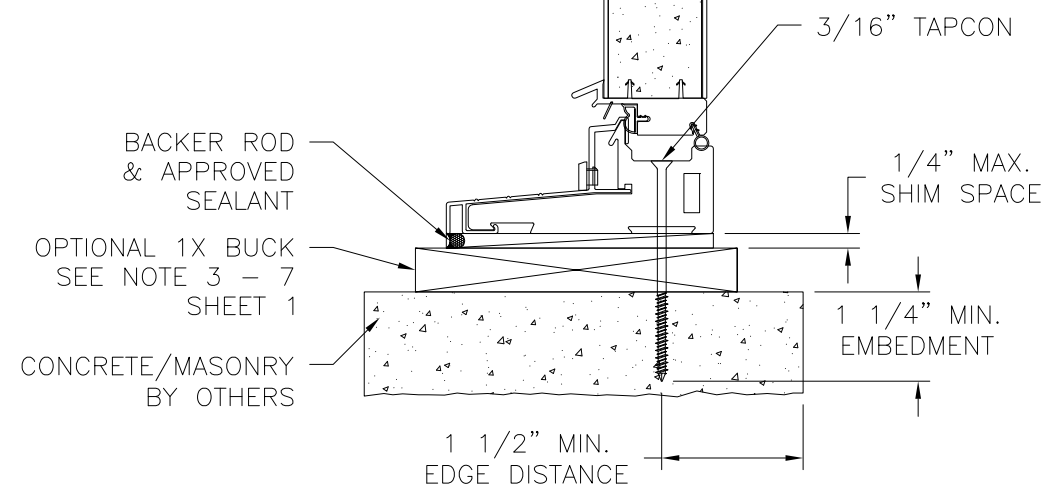


Luis R. Lomas P.E.
TX No.: 101889

REVISIONS			
REV	DESCRIPTION	DATE	APPROVED
B	REVISED PER NEW REQUIREMENTS	12/19/19	R.L.



JAMB INSTALLATION DETAIL
CONCRETE/MASONRY INSTALLATION



VERTICAL CROSS SECTION
CONCRETE/MASONRY INSTALLATION

NOTES:

1. INTERIOR AND EXTERIOR FINISHES, BY OTHERS, NOT SHOWN FOR CLARITY.
2. PERIMETER AND JOINT SEALANT BY OTHERS TO BE DESIGNED IN ACCORDANCE WITH ASTM E2112

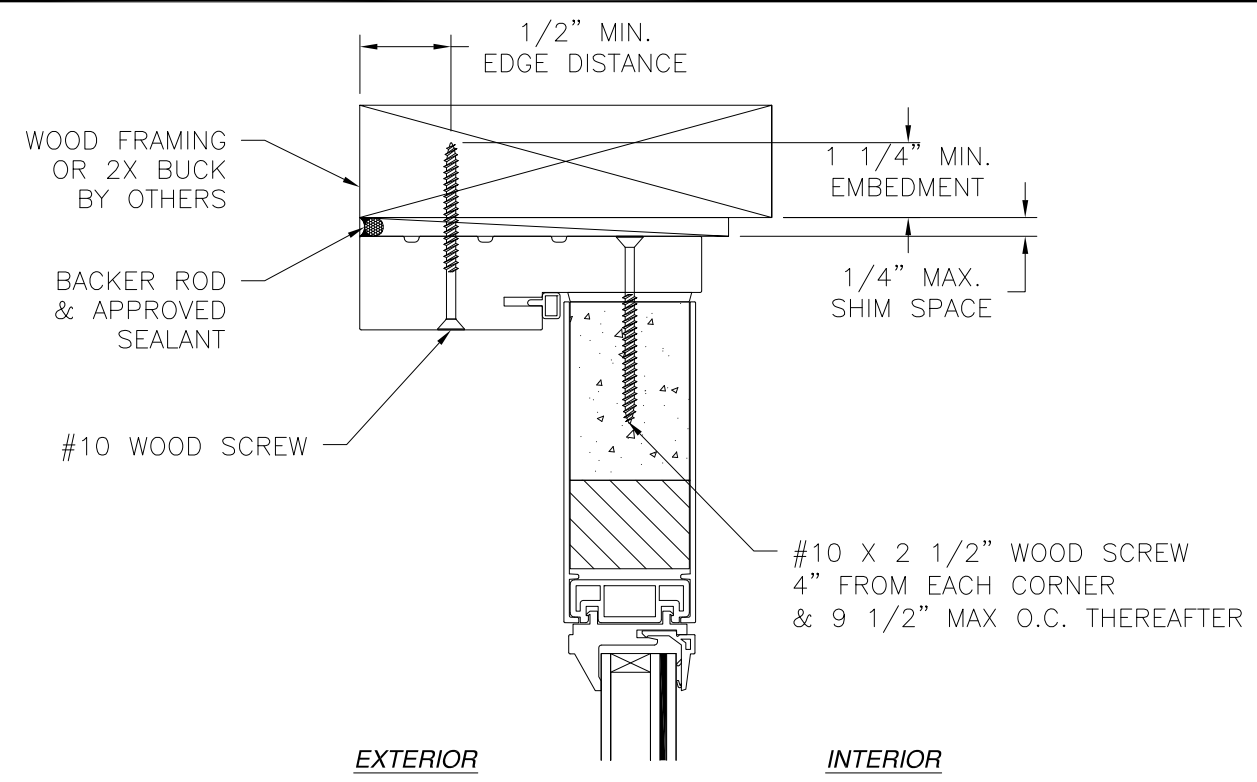
NAN YA PLASTICS CORP. USA 8989 NORTH LOOP EAST HOUSTON, TX 77029		
SERIES SLPS INSWING GLAZED FIBERGLASS SIDE-HINGED PATIO DOOR – IMPACT DOOR INSTALLATION DETAILS		
DRAWN: A.R.	DWG NO. 08-02977	REV B
SCALE NTS	DATE 04/19/17	SHEET 5 OF 10
L. ROBERTO LOMAS P.E. 1432 WOODFORD RD LEWISVILLE, NC 27023 434-688-0609 rllomas@rlomaspe.com		

SIGNED: 08/20/2020

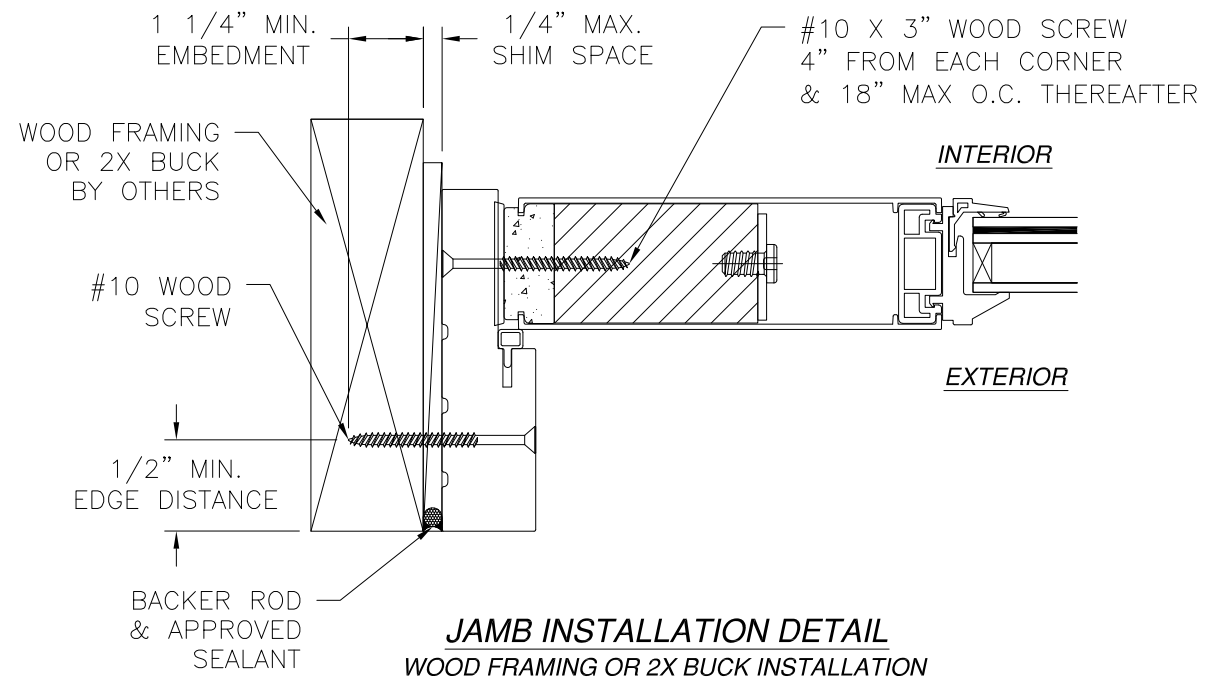


Luis R. Lomas P.E.
TX No.: 101889

REVISIONS			
REV	DESCRIPTION	DATE	APPROVED
B	REVISED PER NEW REQUIREMENTS	12/19/19	R.L.

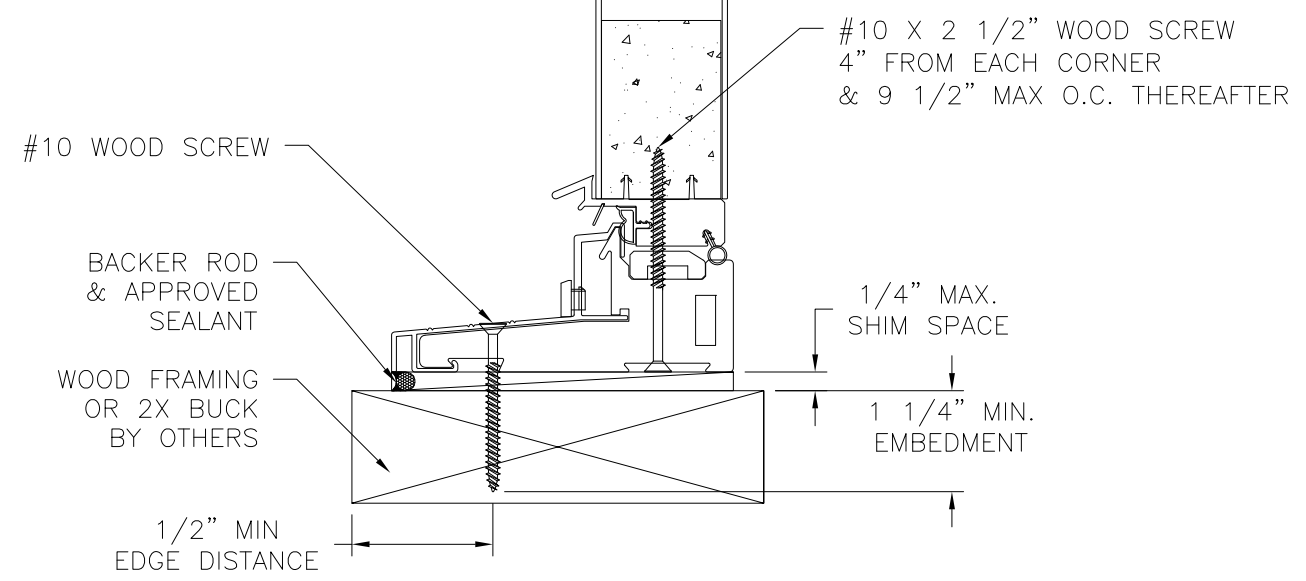


EXTERIOR INTERIOR



JAMB INSTALLATION DETAIL
WOOD FRAMING OR 2X BUCK INSTALLATION

- NOTES:**
1. INTERIOR AND EXTERIOR FINISHES, BY OTHERS, NOT SHOWN FOR CLARITY.
 2. PERIMETER AND JOINT SEALANT BY OTHERS TO BE DESIGNED IN ACCORDANCE WITH ASTM E2112



VERTICAL CROSS SECTION
WOOD FRAMING OR 2X BUCK INSTALLATION

SIGNED: 08/20/2020

NAN YA PLASTICS CORP. USA
8989 NORTH LOOP EAST
HOUSTON, TX 77029

SERIES SLPS INSWING GLAZED FIBERGLASS
SIDE-HINGED PATIO DOOR – IMPACT
SIDELITE INSTALLATION DETAILS

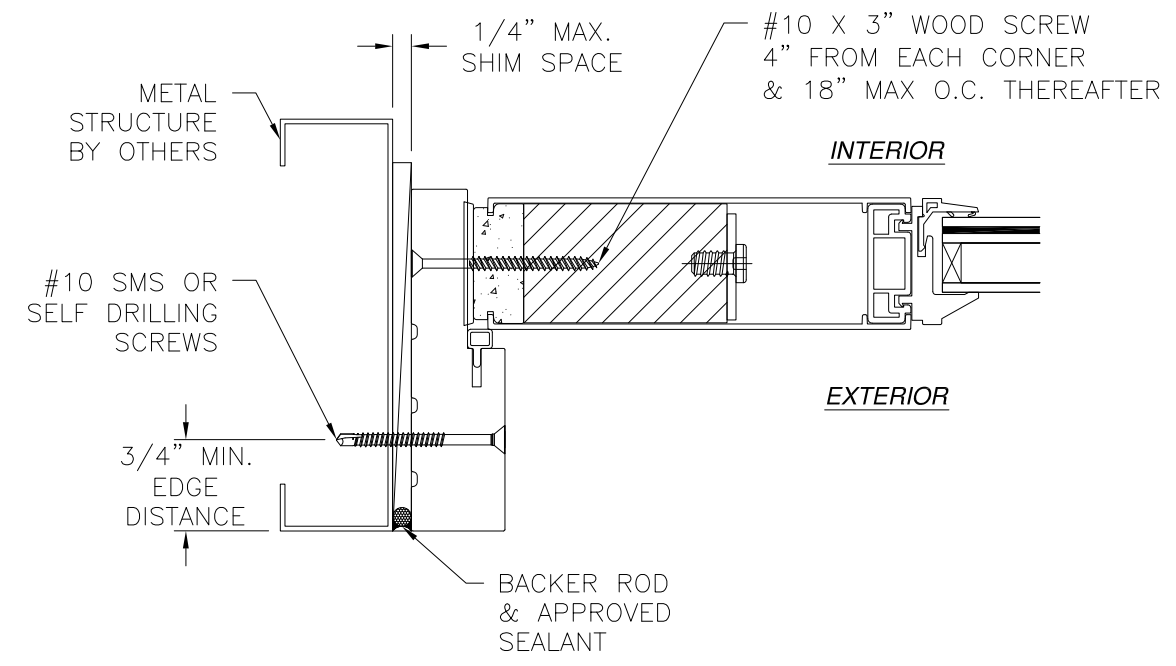
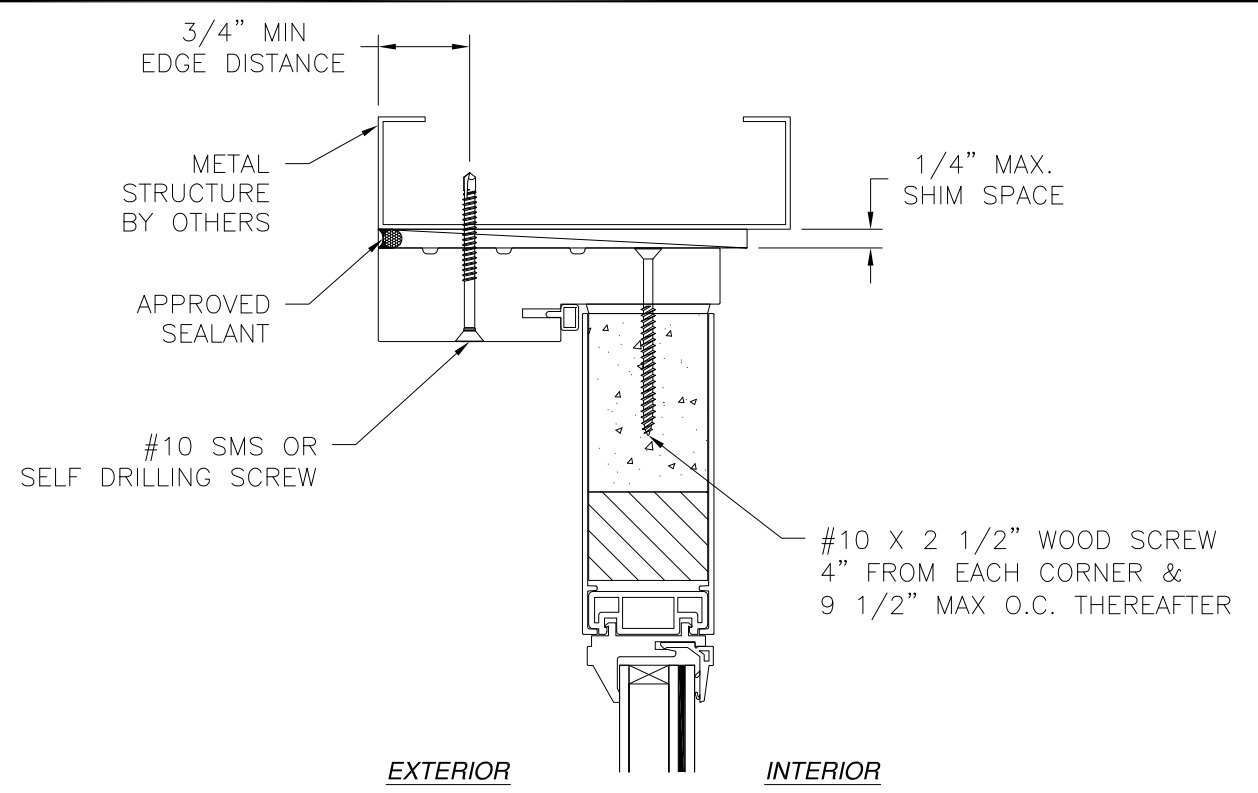
DRAWN: A.R.	DWG NO. 08-02977	REV B
SCALE NTS	DATE 04/19/17	SHEET 6 OF 10

L. ROBERTO LOMAS P.E.
1432 WOODFORD RD LEWISVILLE, NC 27023
434-688-0609 rllomas@rlomaspe.com

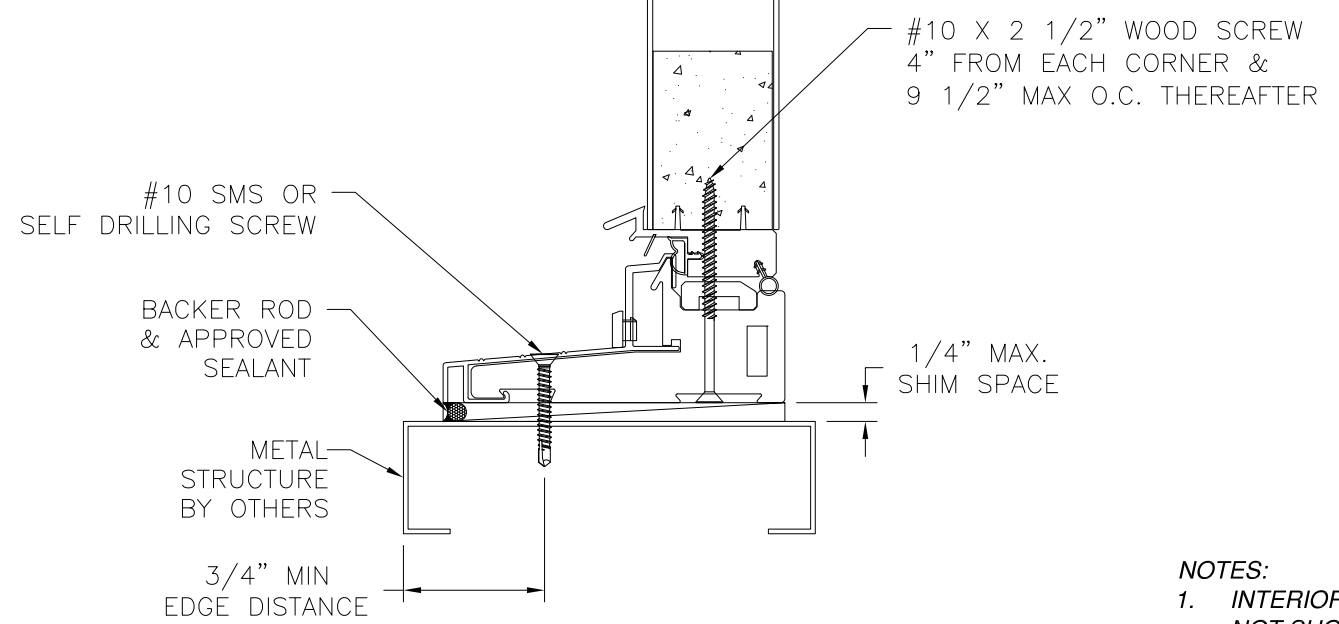


Luis R. Lomas P.E.
TX No.: 101889

REVISIONS			
REV	DESCRIPTION	DATE	APPROVED
B	REVISED PER NEW REQUIREMENTS	12/19/19	R.L.



JAMB INSTALLATION DETAIL
METAL STRUCTURE INSTALLATION



VERTICAL CROSS SECTION
METAL STRUCTURE INSTALLATION

- NOTES:**
- INTERIOR AND EXTERIOR FINISHES, BY OTHERS, NOT SHOWN FOR CLARITY.
 - PERIMETER AND JOINT SEALANT BY OTHERS TO BE DESIGNED IN ACCORDANCE WITH ASTM E2112

NAN YA PLASTICS CORP. USA
8989 NORTH LOOP EAST
HOUSTON, TX 77029

SERIES SLPS INSWING GLAZED FIBERGLASS
SIDE-HINGED PATIO DOOR – IMPACT
SIDELITE INSTALLATION DETAILS

DRAWN: A.R.	DWG NO. 08-02977	REV B
SCALE NTS	DATE 04/19/17	SHEET 7 OF 10

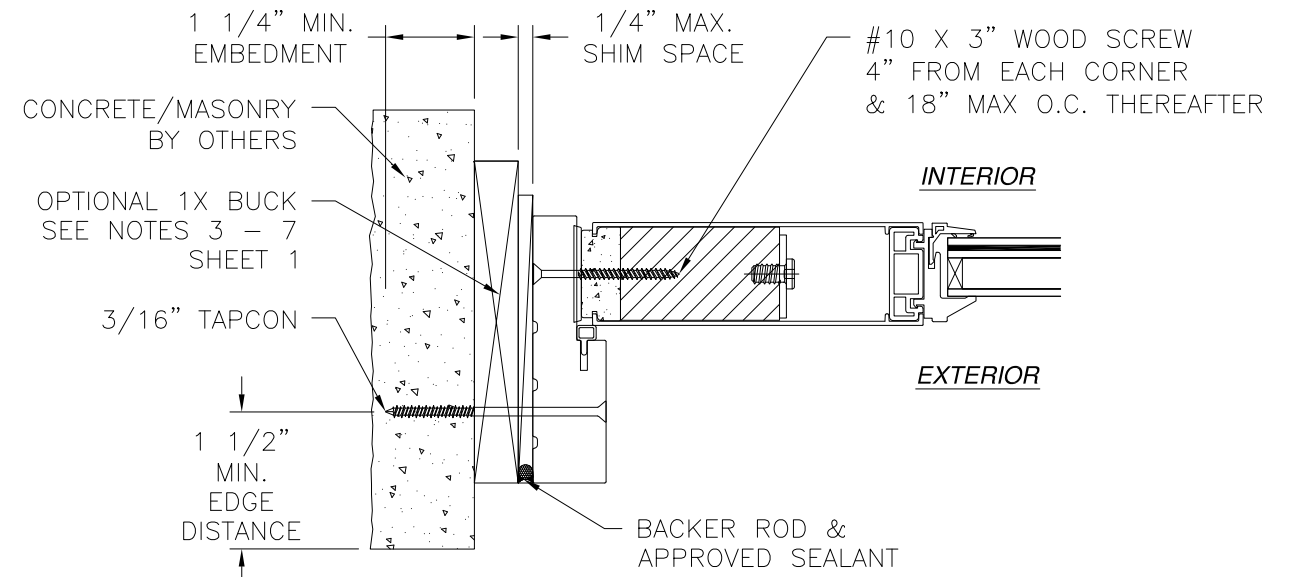
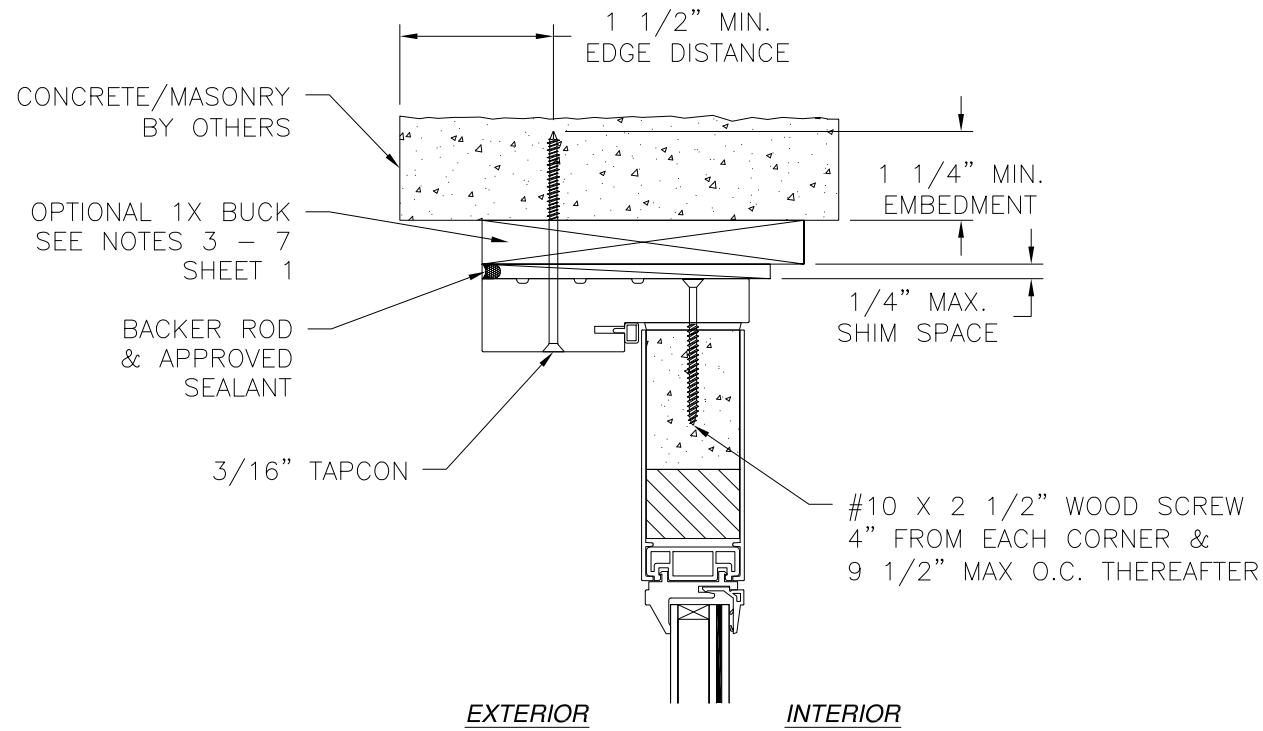
L. ROBERTO LOMAS P.E.
1432 WOODFORD RD LEWISVILLE, NC 27023
434-688-0609 rllomas@rlomaspe.com

SIGNED: 08/20/2020

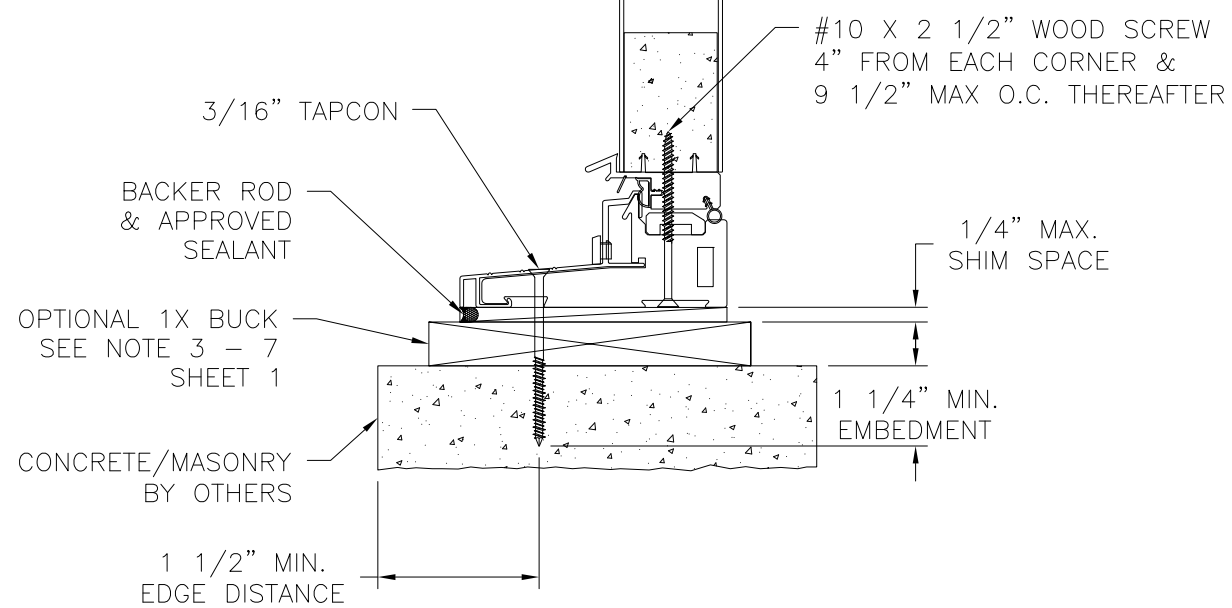


Luis R. Lomas P.E.
TX No.: 101889

REVISIONS			
REV	DESCRIPTION	DATE	APPROVED
B	REVISED PER NEW REQUIREMENTS	12/19/19	R.L.



JAMB INSTALLATION DETAIL
CONCRETE/MASONRY INSTALLATION



VERTICAL CROSS SECTION
CONCRETE/MASONRY INSTALLATION

NOTES:

1. INTERIOR AND EXTERIOR FINISHES, BY OTHERS, NOT SHOWN FOR CLARITY.
2. PERIMETER AND JOINT SEALANT BY OTHERS TO BE DESIGNED IN ACCORDANCE WITH ASTM E2112

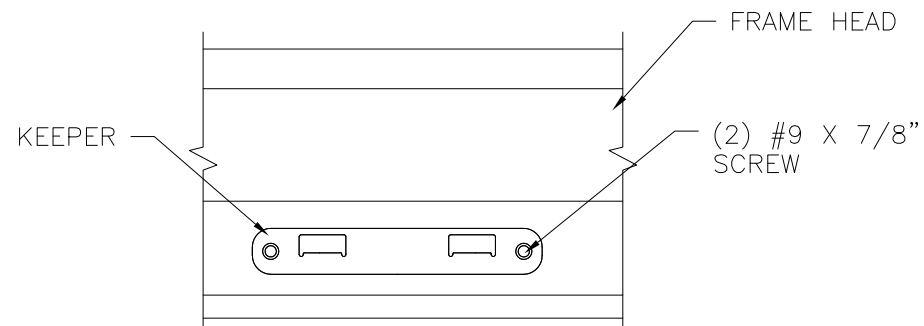
SIGNED: 08/20/2020

<p>NAN YA PLASTICS CORP. USA 8989 NORTH LOOP EAST HOUSTON, TX 77029</p>		
<p>SERIES SLPS INSWING GLAZED FIBERGLASS SIDE-HINGED PATIO DOOR - IMPACT SIDELITE INSTALLATION DETAILS</p>		
DRAWN: A.R.	DWG NO. 08-02977	REV B
SCALE NTS	DATE 04/19/17	SHEET 8 OF 10
<p>L. ROBERTO LOMAS P.E. 1432 WOODFORD RD LEWISVILLE, NC 27023 434-688-0609 rllomas@rlomaspe.com</p>		

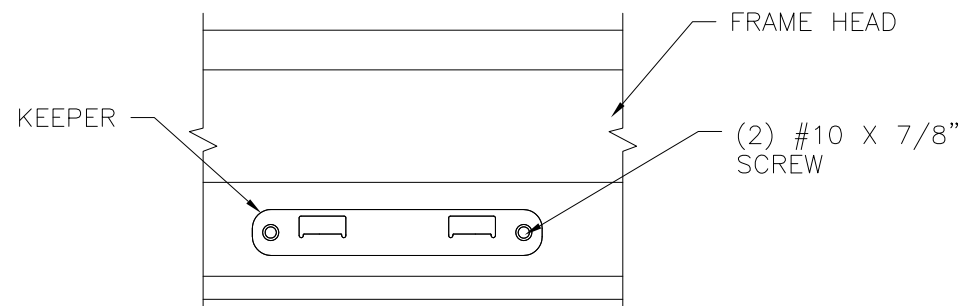


Luis R. Lomas P.E.
TX No.: 101889

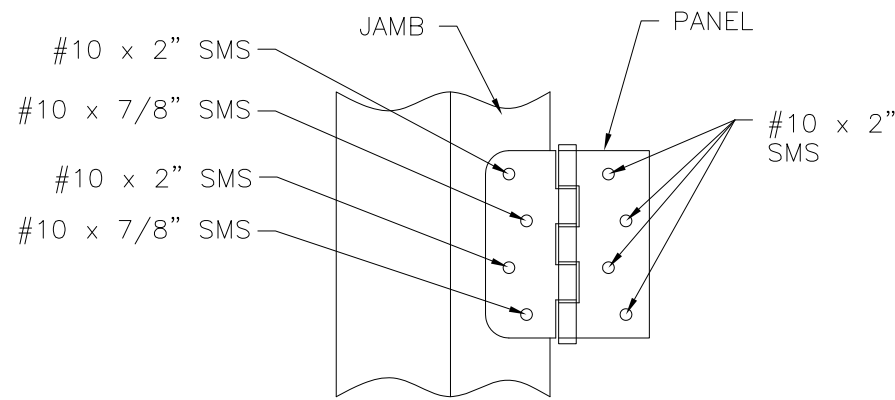
REVISIONS			
REV	DESCRIPTION	DATE	APPROVED
B	REVISED PER NEW REQUIREMENTS	12/19/19	R.L.



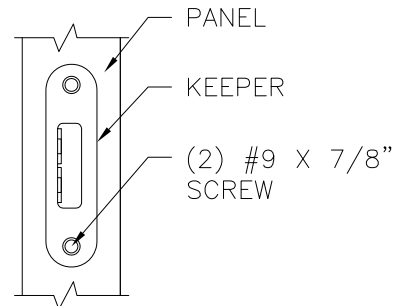
HEAD BAR KEEPER DETAIL



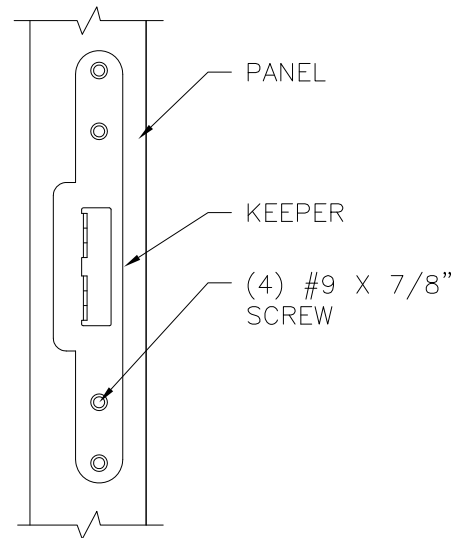
SILL BAR KEEPER DETAIL



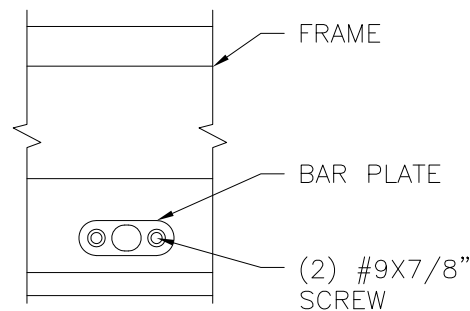
HINGE INSTALLATION DETAIL



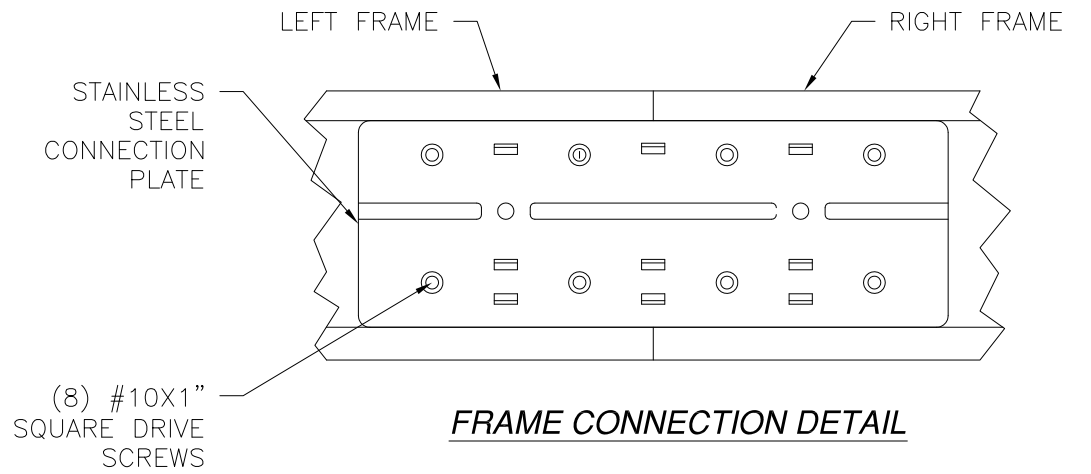
HOOK KEEPER DETAIL



SLAB MULTI-POINT LOCK KEEPER DETAIL



DRIVE BAR PLATE DETAIL



FRAME CONNECTION DETAIL

NAN YA PLASTICS CORP. USA
 8989 NORTH LOOP EAST
 HOUSTON, TX 77029

SERIES SLPS INSWING GLAZED FIBERGLASS
 SIDE-HINGED PATIO DOOR – IMPACT
 INSTALLATION DETAILS

DRAWN: A.R.	DWG NO. 08-02977	REV B
SCALE NTS	DATE 04/19/17	SHEET 9 OF 10

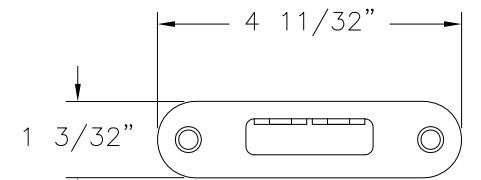
L. ROBERTO LOMAS P.E.
 1432 WOODFORD RD LEWISVILLE, NC 27023
 434-688-0609 rllomas@rlomaspe.com

SIGNED: 08/20/2020

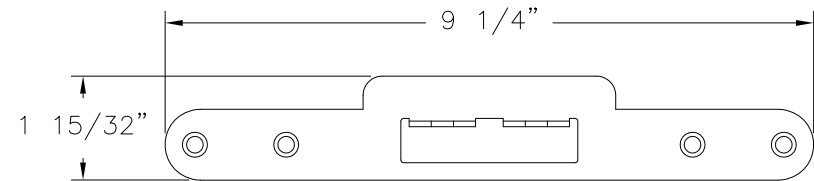


Luis R. Lomas P.E.
 TX No.: 101889

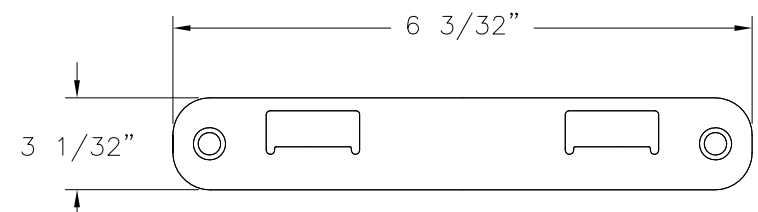
REVISIONS			
REV	DESCRIPTION	DATE	APPROVED
B	REVISED PER NEW REQUIREMENTS	12/19/19	R.L.



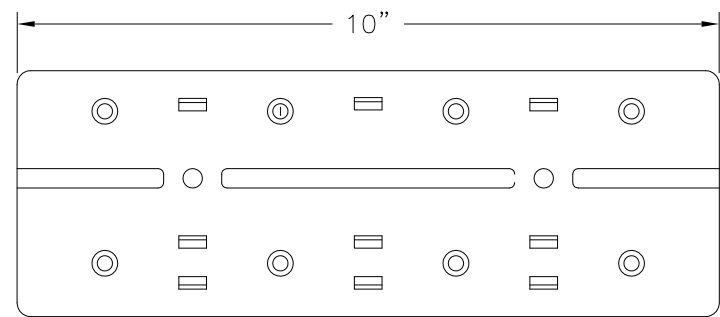
HEAVY HOOK KEEPER
SS92G BY MICOTA TECH
STAINLESS STEEL



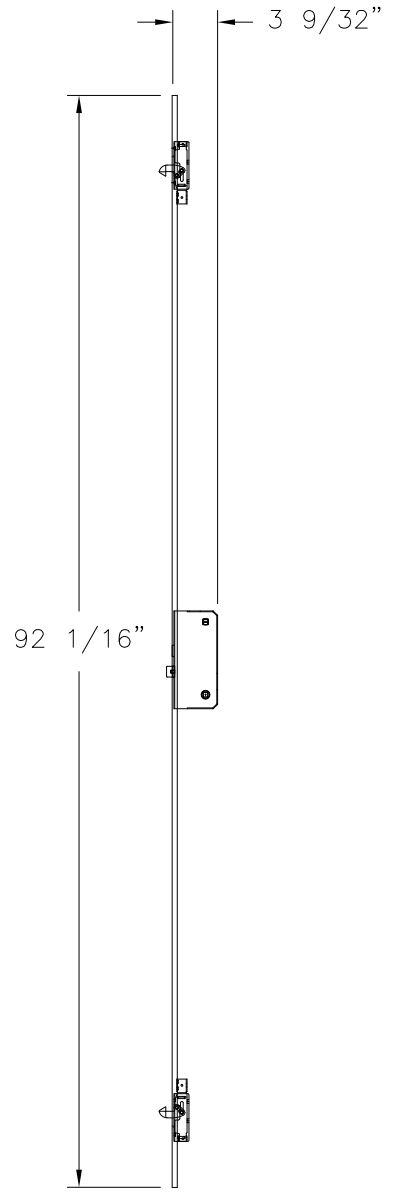
SLAB MULTI-POINT LOCK KEEPER
SS92F BY MICOTA TECH
STAINLESS STEEL



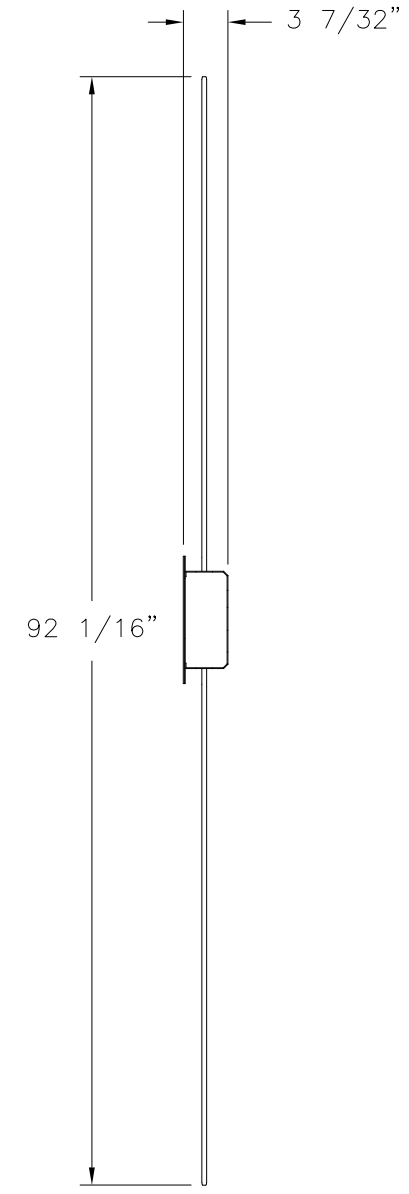
BAR KEEPER
SS92P BY MICOTA TECH
STAINLESS STEEL



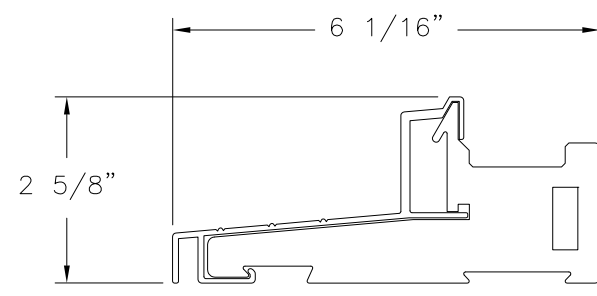
CONNECTION PLATE
STAINLESS STEEL



MULTI-POINT LOCKING SYSTEM
SS930 BY MICOTA TECH
STAINLESS STEEL



TOP/BOTTOM DRIVE BAR SYSTEM
SS932 BY MICOTA TECH
STAINLESS STEEL



INSWING DOOR SILL DETAIL

NAN YA PLASTICS CORP. USA
8989 NORTH LOOP EAST
HOUSTON, TX 77029

SERIES SLPS INSWING GLAZED FIBERGLASS
SIDE-HINGED PATIO DOOR - IMPACT
COMPONENTS

DRAWN: A.R.	DWG NO. 08-02977	REV B
SCALE NTS	DATE 04/19/17	SHEET 10 OF 10

L. ROBERTO LOMAS P.E.
1432 WOODFORD RD LEWISVILLE, NC 27023
434-688-0609 rllomas@rlomaspe.com

SIGNED: 08/20/2020



Luis R. Lomas P.E.
TX No.: 101889