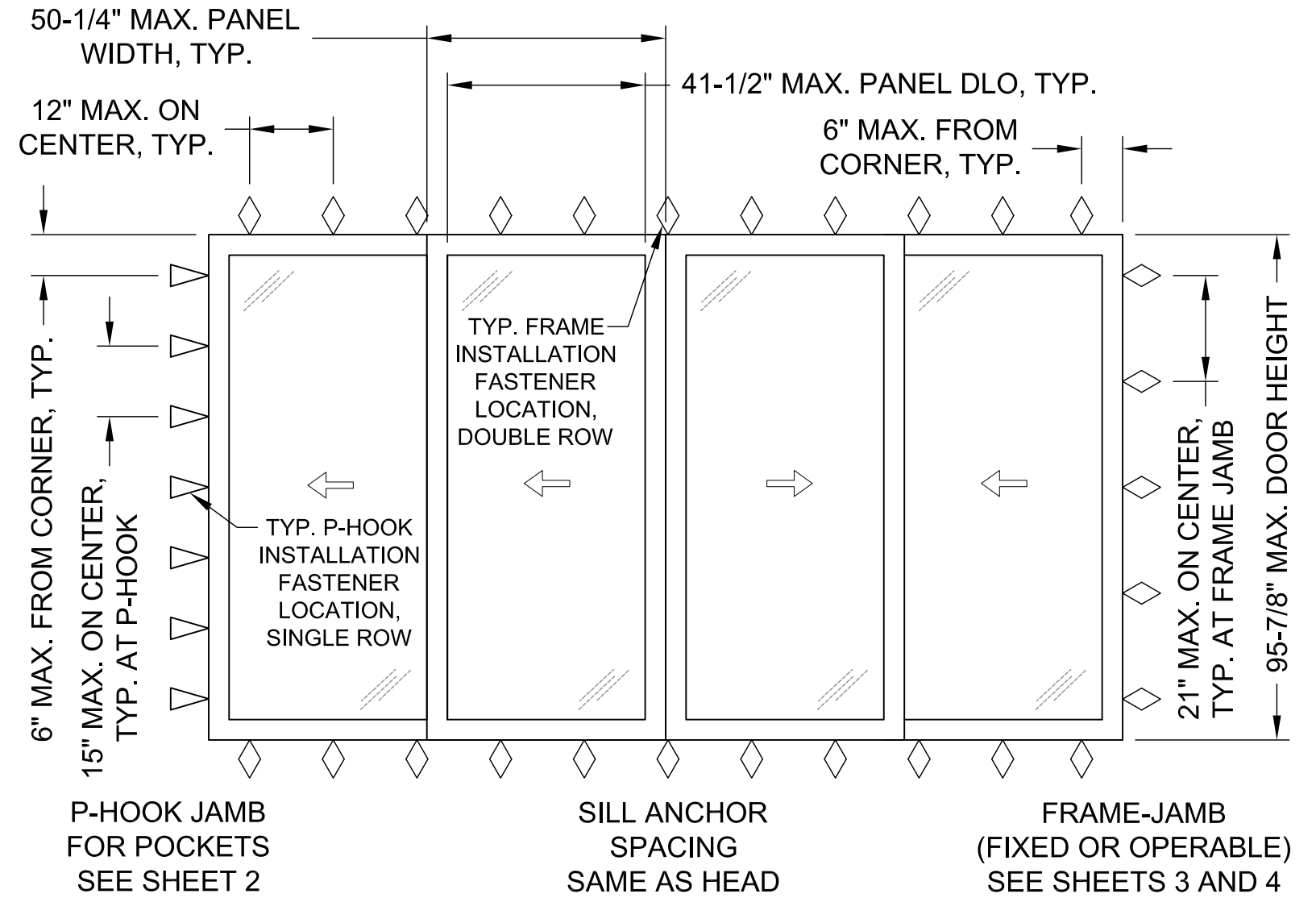


GENERAL NOTES

1. THE PRODUCT SHOWN HEREIN CONSTRUCTED FROM DECEUNINCK EXTRUDED RIGID PVC FRAMES HAS BEEN TESTED TO AAMA/WDMA/CSA 101/I.S.2/A440 AND ASTM E1886/E1996, AND MEETS THE REQUIREMENTS OF THE 2018 INTERNATIONAL BUILDING CODE AND INTERNATIONAL RESIDENTIAL CODE.
2. THIS PRODUCT IS LARGE MISSILE IMPACT RESISTANT AND DOES NOT REQUIRE THE USE OF IMPACT PROTECTIVE DEVICES (SHUTTERS) IN WINDBORNE DEBRIS REGIONS.
3. THE DESIGN PRESSURES INDICATED IN THIS DRAWING ARE AS LIMITED BY ASTM E-1300 GLASS TABLES, AND TESTED WATER, STRUCTURAL, AND CYCLIC PRESSURES.
4. THIS DOCUMENT ADDRESSES PRODUCT ANCHORAGE TO ACHIEVE THE INDICATED DESIGN PRESSURES AT THE INDICATED PANEL SIZES SHOWN IN THE SAMPLE ELEVATION. DOORS MAY BE ANY CONFIGURATION OF PANELS IN FRAMES WITH 2 OR MORE TRACKS, AND THERE IS NO LIMIT ON NUMBER OF PANELS. DOORS ARE TESTED FOR WATER INFILTRATION WITH 3.285" SILL RISER (P/N 10300240) TO 10.5 PSF WATER (ACCEPTABLE FOR 70 PSF DESIGN PRESSURE RATING) AND WITH AN OPTIONAL 3.785" SILL RISER TO 12 PSF WATER IF ADDITIONAL PROTECTION IS DESIRED HOWEVER DOOR DESIGN PRESSURE REMAINS 70 PSF. DOORS WITHOUT SILL RISERS ARE NOT TESTED FOR WATER INFILTRATION RESISTANCE. INSTALL PRODUCTS WITH MAXIMUM SHIM GAP, MINIMUM EDGE DISTANCE AND EMBEDMENT, AND WITH FASTENER TYPE AS SHOWN IN THE DETAILS AND AS INDICATED IN TABLE 1. FOR FULL PRODUCT CONSTRUCTION DETAILS SEE NCTL TEST REPORTS 210-4071-01 AND 210-4071-01A.
5. APPROVED GLAZING IS INSULATING GLASS 3/16" TEMPERED EXTERIOR + 3/8" GED STAINLESS STEEL INTERCEPT SPACER + 7/16" LAMINATED LITE INTERIOR CONSISTING OF 3/16" ANNEALED + 0.090" KURARAY SENTRYGLAS INTERLAYER + 3/16" ANNEALED. GLAZED WITH SIKAFLEX 552 BACKBEDDING W/ 3/4" GLASS BITE.
6. THE 4/3 ALLOWABLE STRESS INCREASE FACTOR (SHORT-TERM INCREASE FACTOR) HAS NOT BEEN USED IN THE ANCHOR ANALYSIS FOR THIS SYSTEM. THE 1.6 Cd FACTOR WAS USED IN THE ANALYSIS OF ANCHORAGE INTO WOOD SUBSTRATE.
7. THE OPENING SUBSTRATE MATERIALS (FRAMING, MASONRY, BUCKS) AND ATTACHMENT OF BUCKS TO THE SUBSTRATE ARE BY OTHERS AND SHALL BE VERIFIED BY THE ARCHITECT OR ENGINEER OF RECORD OR AS APPROVED BY THE AUTHORITY HAVING JURISDICTION (AHJ). BUCKING, OPENINGS, & BUCKING FASTENERS MUST BE PROPERLY DESIGNED & INSTALLED BY OTHERS TO TRANSFER SUPERIMPOSED LOADS TO THE STRUCTURE. WITH MASONRY OPENINGS, WOOD BUCKS ARE OPTIONAL.
8. DISSIMILAR MATERIALS THAT COME INTO CONTACT SHALL BE COATED OR OTHERWISE PROTECTED TO PREVENT GALVANIC REACTIONS. WOOD BUCKS, IF USED, SHALL BE PRESSURE TREATED, WITH EITHER A TREATMENT OR COATING COMPATIBLE WITH THIS PRODUCT.
9. ALL ANCHORS USED SHALL BE OF A MATERIAL OR HAVE A COATING COMPATIBLE WITH THE PRESSURE TREATED WOOD BUCKS AND ALL OTHER WINDOW MATERIALS.
10. ALL HARDWARE & FASTENERS SHALL BE IN ACCORDANCE WITH THESE DRAWINGS, OR AS APPROVED, SIGNED, AND SEALED BY A TEXAS REGISTERED PROFESSIONAL ENGINEER ON A SITE-SPECIFIC BASIS.
11. SEALING AND FLASHING STRATEGIES FOR OVERALL WATER INFILTRATION RESISTANCE OF THE INSTALLED PRODUCT SHALL BE THE RESPONSIBILITY OF OTHERS AND ARE NOT ADDRESSED BY THIS DOCUMENT.
12. FOR ADDITIONAL REQUIREMENTS SEE GENERAL ANCHOR NOTES, SHEET 3.

WINFORCE SLIDING GLASS DOOR, LARGE MISSILE IMPACT

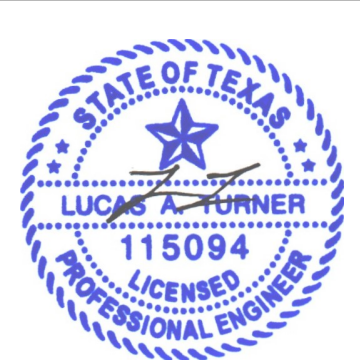


SAMPLE ELEVATION, SEE DETAILS SHEETS 2 THROUGH 4

DESIGN PRESSURE RATING	IMPACT RATING
+70/-70 PSF	LARGE AND SMALL MISSILE

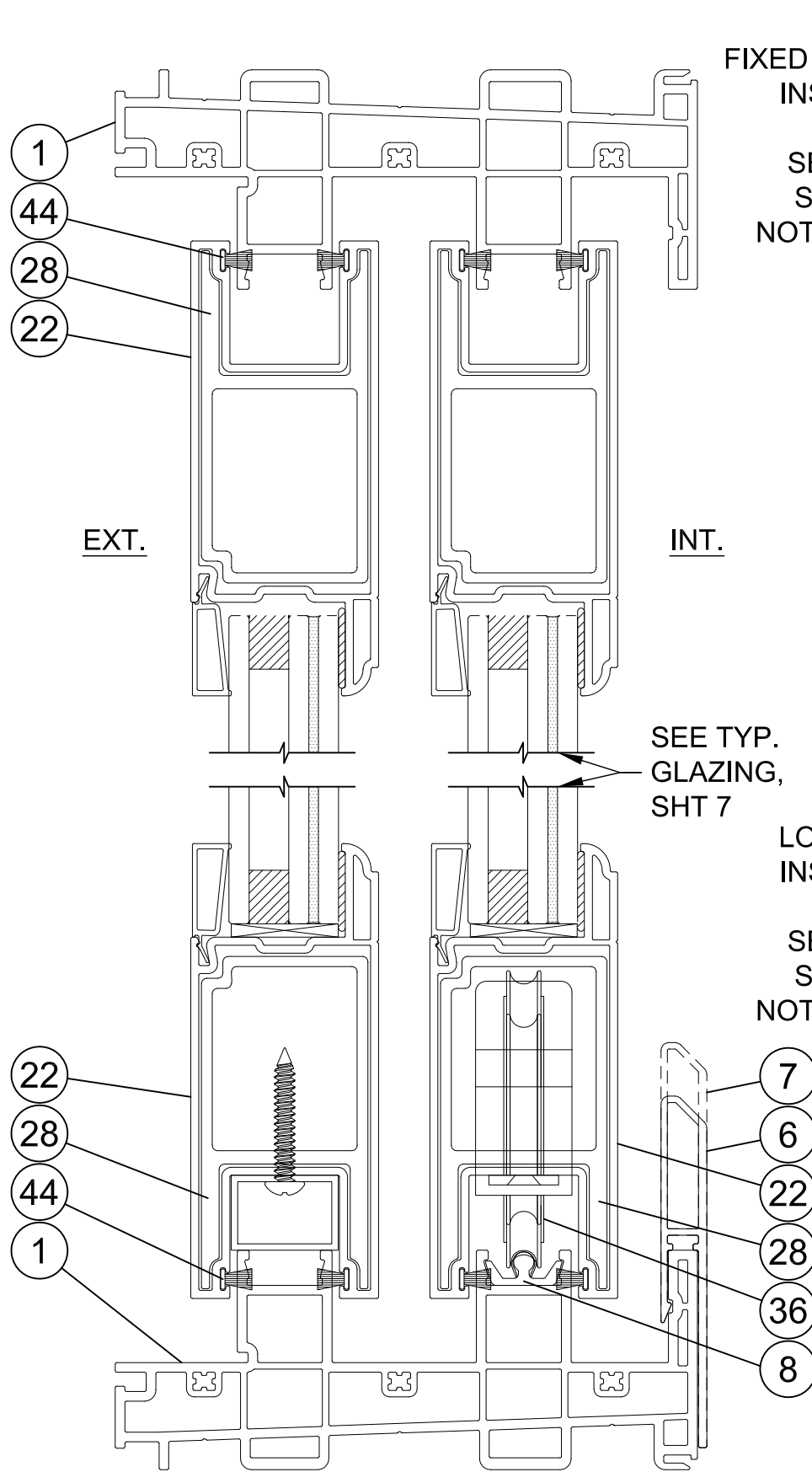
NORTHEAST BUILDING PRODUCTS
 4280 Aramingo Ave., Philadelphia, PA 19124
 Ph. (215) 535-7110 www.nbpwindows.com

SHEET DESCRIPTION: NOTES, ELEVATION	DATE DRAWN: 4/25/2017
REV. A: UPDATE TO 2018 IBC/IRC	SCALE: NTS
DRAWING: TDI-WINFORCE-SGD-LM	SHEET: 1 OF 8



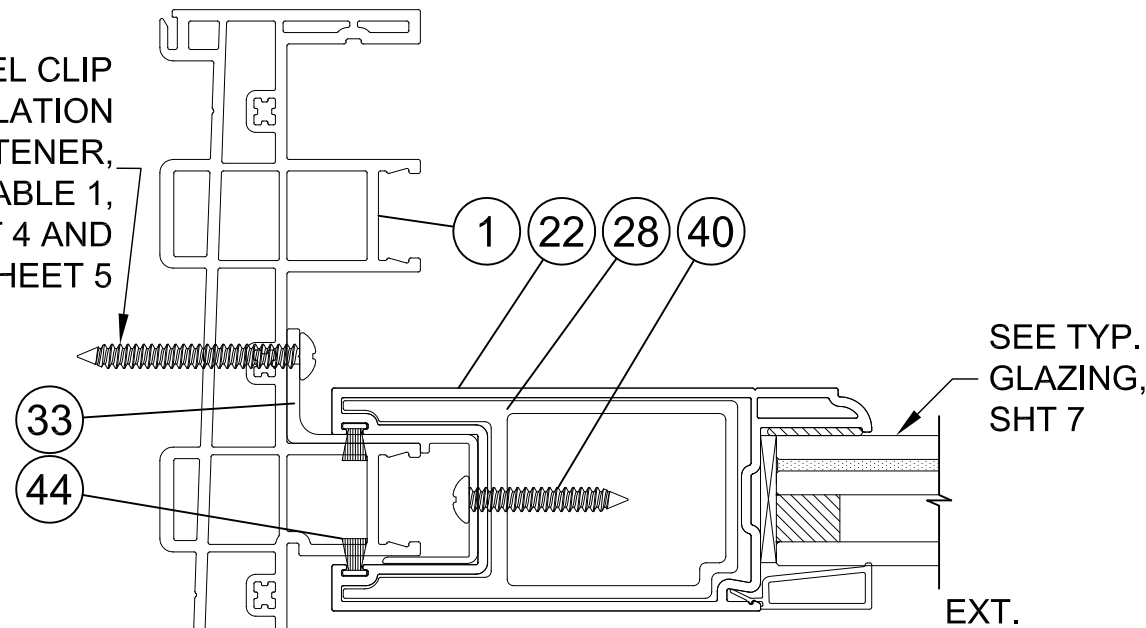
2/18/2021
 Lucas A. Turner, P.E.
 TX PE #115094
 2428 Old Natchez Trc Trl
 Camden, TN 38320
 Ph. 941-380-1574

WINFORCE SLIDING GLASS DOOR, LARGE MISSILE IMPACT



TYPICAL 2-TRACK VERTICAL SECTION

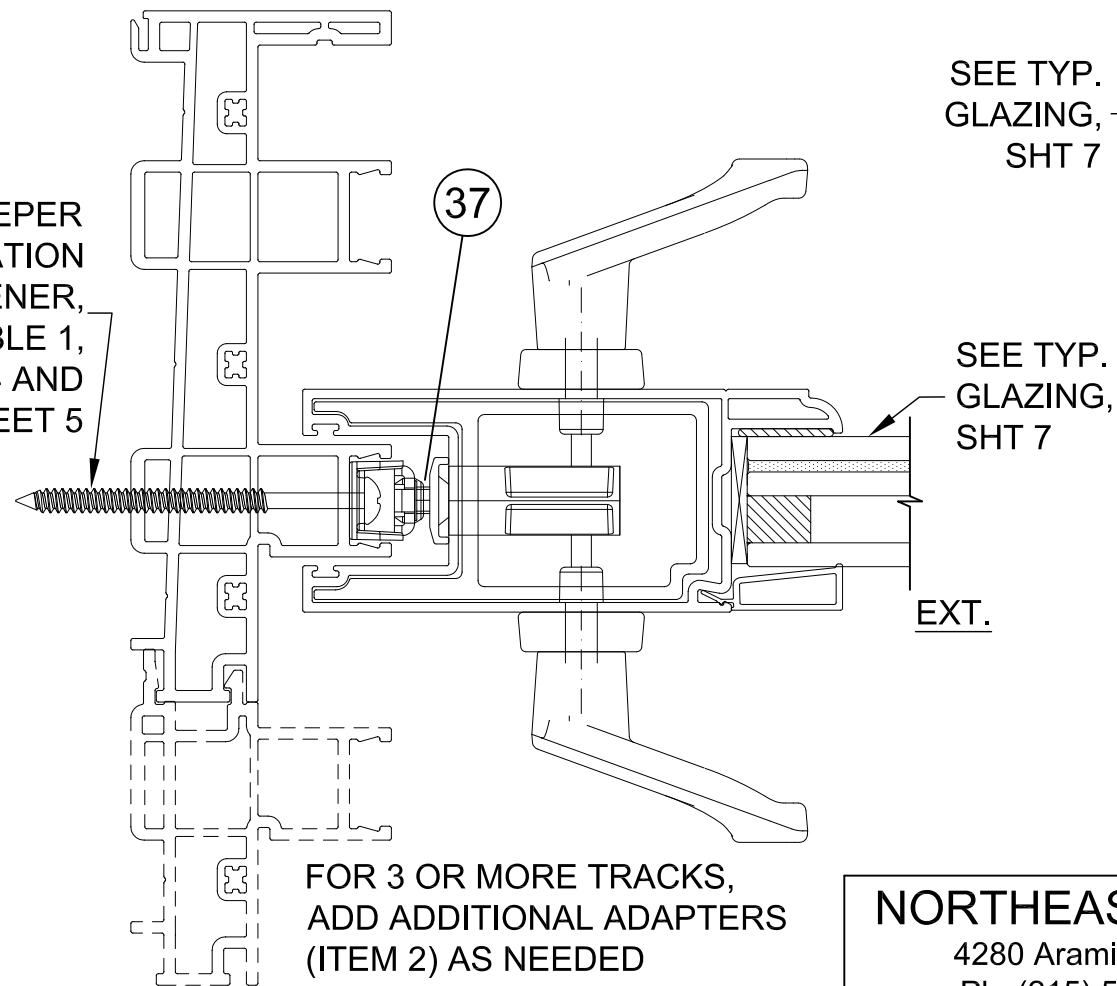
FIXED PANEL CLIP
INSTALLATION
FASTENER,
SEE TABLE 1,
SHEET 4 AND
NOTES SHEET 5



**TYPICAL FIXED FRAME JAMB
HORIZONTAL SECTION**

SEE TYP.
GLAZING,
SHT 7

LOCK KEEPER
INSTALLATION
FASTENER,
SEE TABLE 1,
SHEET 4 AND
NOTES SHEET 5



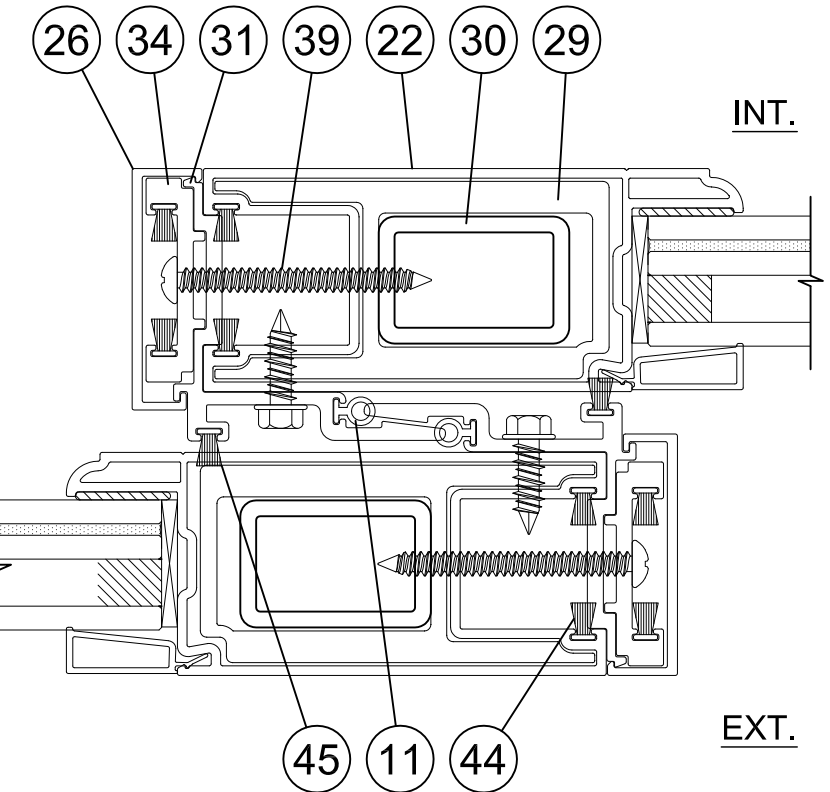
**TYPICAL OPERABLE
FRAME JAMB
HORIZONTAL SECTION**

FOR 3 OR MORE TRACKS,
ADD ADDITIONAL ADAPTERS
(ITEM 2) AS NEEDED

SEE TYP.
GLAZING,
SHT 7

SEE TYP.
GLAZING,
SHT 7

SEE TYP.
GLAZING,
SHT 7



**TYPICAL INTERLOCKS
HORIZONTAL SECTION**

NORTHEAST BUILDING PRODUCTS

4280 Aramingo Ave., Philadelphia, PA 19124
Ph. (215) 535-7110 www.nbpwindows.com

SHEET DESCRIPTION:
SECTION DETAILS

DATE DRAWN:
4/25/2017

REV. A: UPDATE TO 2018 IBC/IRC

SCALE: NTS

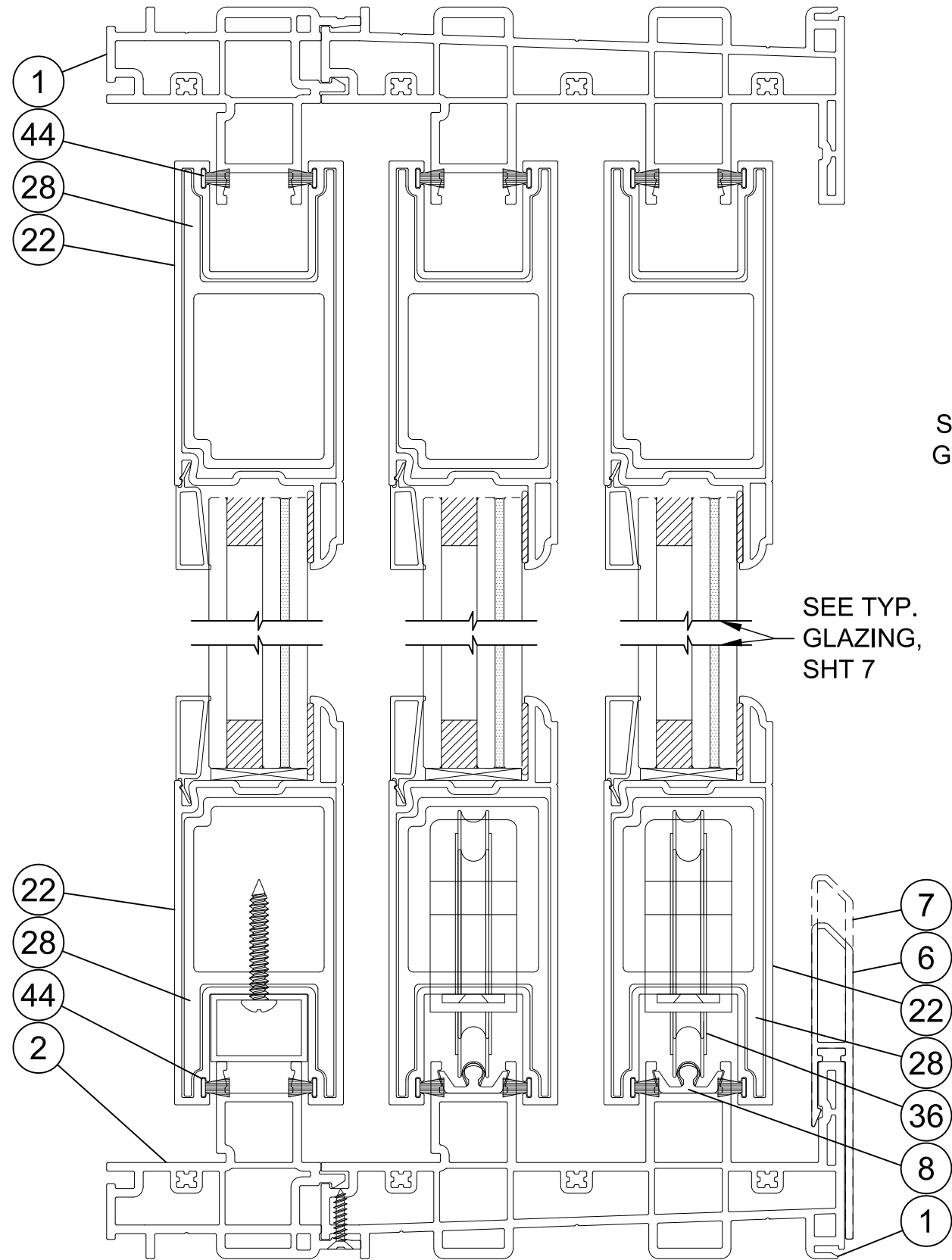
DRAWING: TDI-WINFORCE-SGD-LM

SHEET: 2 OF 8



2/18/2021
Lucas A. Turner, P.E.
TX PE #115094
2428 Old Natchez Trc Trl
Camden, TN 38320
Ph. 941-380-1574

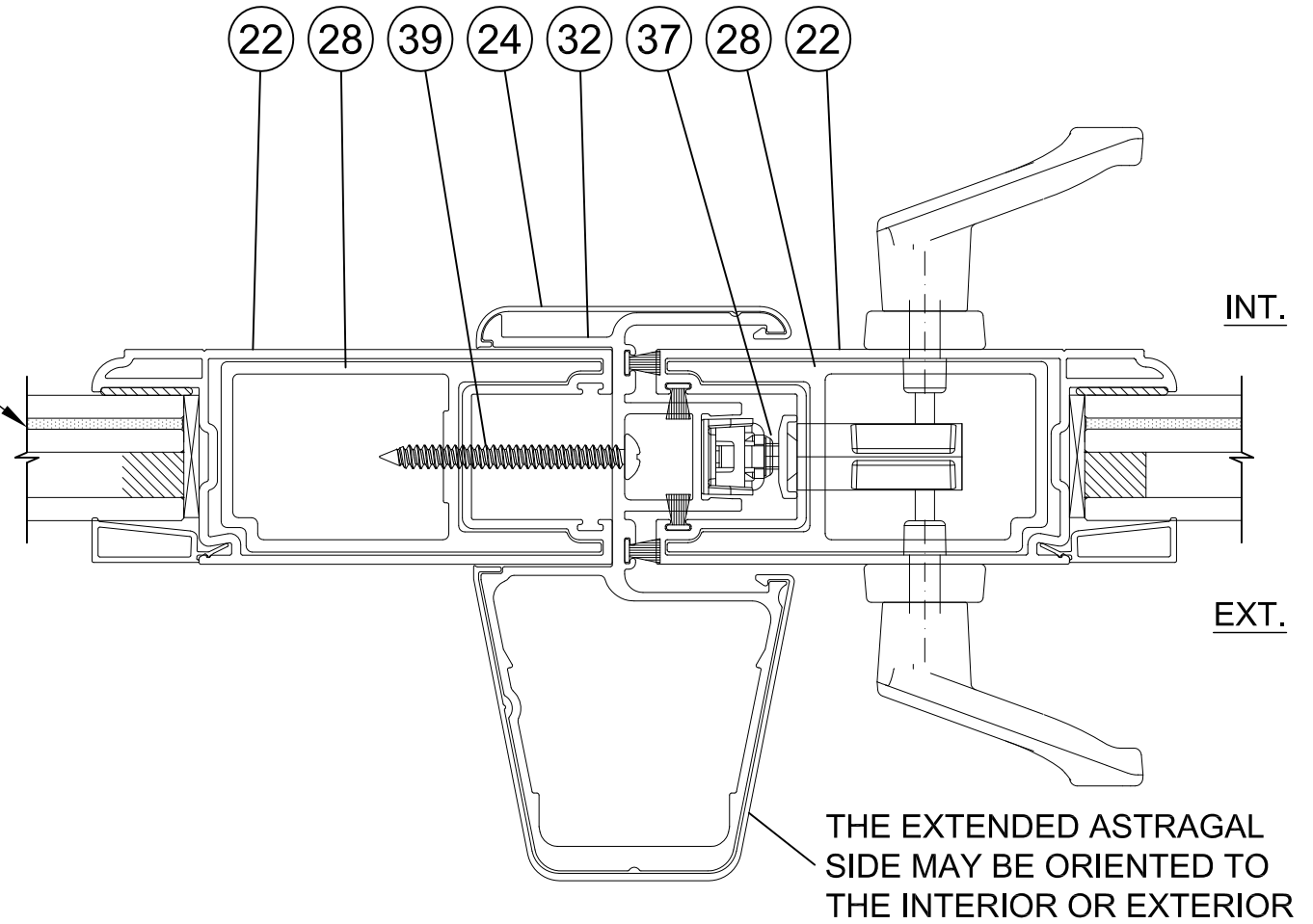
WINFORCE SLIDING GLASS DOOR, LARGE MISSILE IMPACT



**TYPICAL 3 OR MORE TRACK VERTICAL SECTION
(3-TRACK SHOWN, FOR 4 OR MORE ADD ADAPTERS [ITEM 2] AS NEEDED)**

SEE TYP. GLAZING, SHT 7

SEE TYP. GLAZING, SHT 7



**TYPICAL ASTRAGAL
HORIZONTAL SECTION**

NORTHEAST BUILDING PRODUCTS

4280 Aramingo Ave., Philadelphia, PA 19124
Ph. (215) 535-7110 www.nbpwindows.com

SHEET DESCRIPTION:
SECTION DETAILS

DATE DRAWN:
4/25/2017

REV. A: UPDATE TO 2018 IBC/IRC

SCALE: NTS

DRAWING: TDI-WINFORCE-SGD-LM

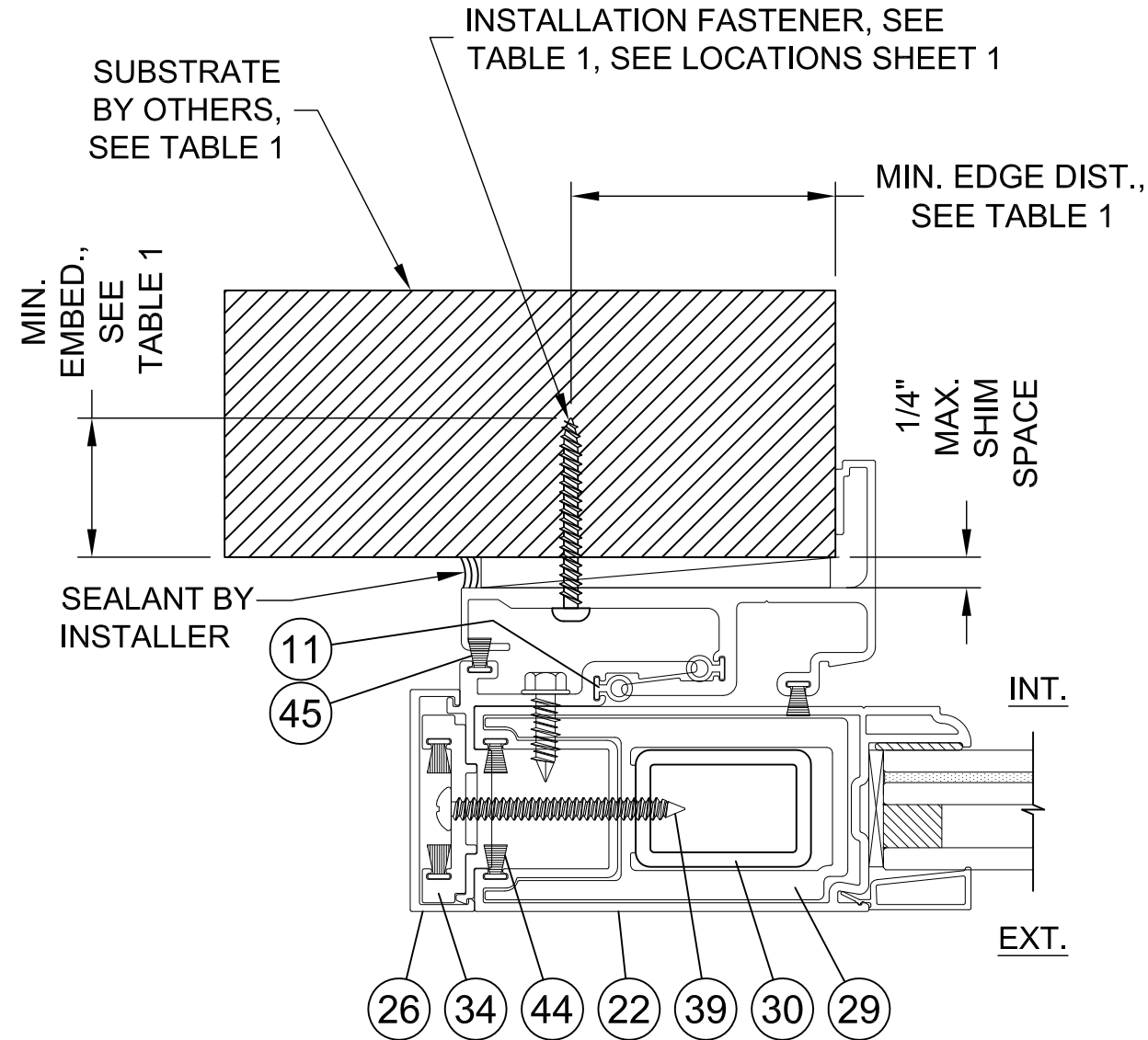
SHEET: 3 OF 8



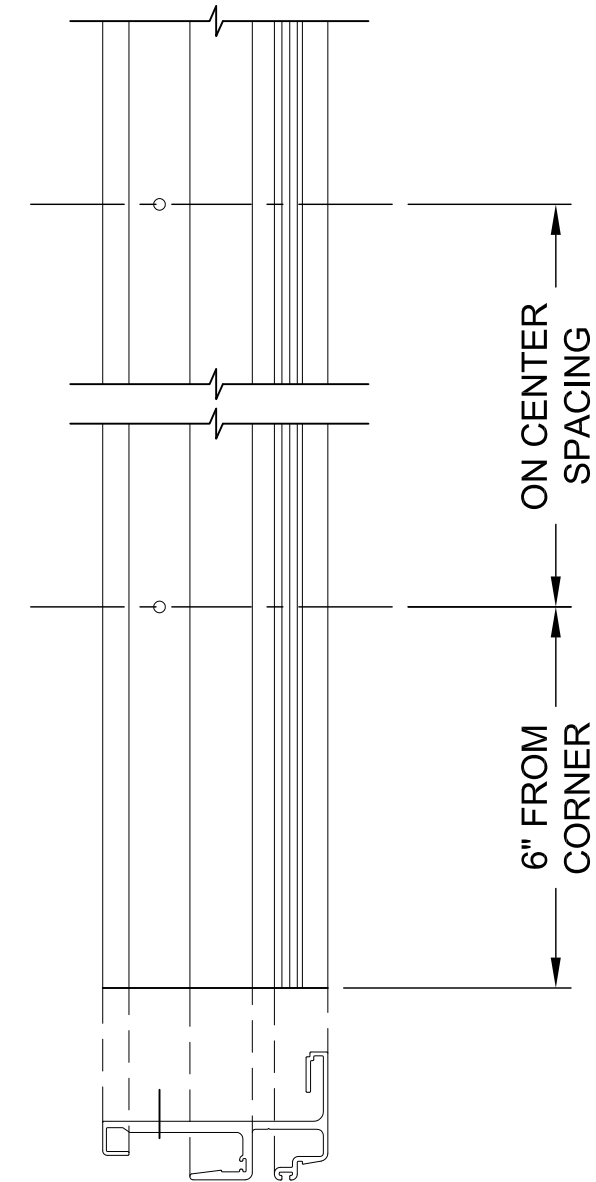
2/18/2021
Lucas A. Turner, P.E.
TX PE #115094
2428 Old Natchez Trc Trl
Camden, TN 38320
Ph. 941-380-1574

WINFORCE SLIDING GLASS DOOR, LARGE MISSILE IMPACT

SEE GENERAL ANCHOR NOTES, SHEET 3.



TYPICAL P-HOOK JAMB



**SINGLE ROW ANCHOR PATTERN
(1 ANCHOR PER LOCATION
INDICATED ON SHEET 1)**

TABLE 1: EQUAL LEG / FLANGE FRAME INSTALLATION ANCHOR REQUIREMENTS TABLE
NOTE: ALL ANCHORS ARE PAN HEAD OR HEX WASHER HEAD

SUBSTRATE TYPE	ANCHOR TYPE	MIN. EMBED.	MIN. EDGE DIST.
HOLLOW OR GROUT-FILLED CMU (117 PCF MIN.)	1/4" ITW TAPCON	1"	1 1/2"
GROUT-FILLED CMU (ASTM C-90)	1/4" ELCO ULTRACON	1 3/4"	2 1/2"
CONCRETE (2.85 KSI MIN.)	1/4" ELCO ULTRACON	1 3/8"	1"
2X MIN. SOUTHERN PINE WOOD (G=0.55)	#12 WOOD SCREW	1 3/8"	1"
16 GAUGE (0.060") MIN. STEEL STUD, 33KSI YIELD MIN., OR 1/8" ALUM. 6063-T5 MIN.	#12-14 HILTI KWIK-FLEX OR ITW TEKS SELF-DRILLING SCREW	FULL	1/2"

NORTHEAST BUILDING PRODUCTS

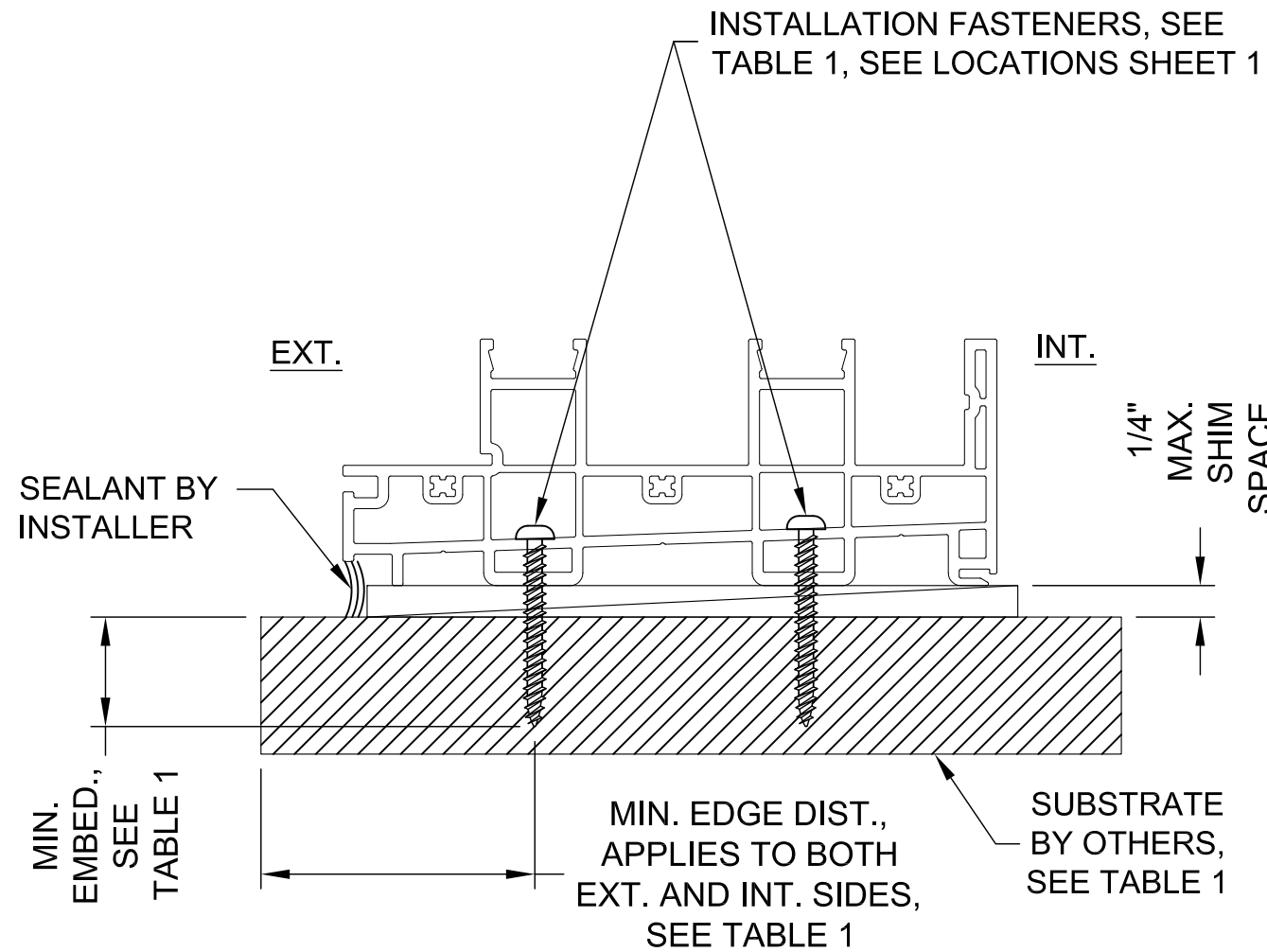
4280 Aramingo Ave., Philadelphia, PA 19124
Ph. (215) 535-7110 www.nbpwindows.com

SHEET DESCRIPTION: P-HOOK JAMB INSTALLATION	DATE DRAWN: 4/25/2017
REV. A: UPDATE TO 2018 IBC/IRC	SCALE: NTS
DRAWING: TDI-WINFORCE-SGD-LM	SHEET: 4 OF 8

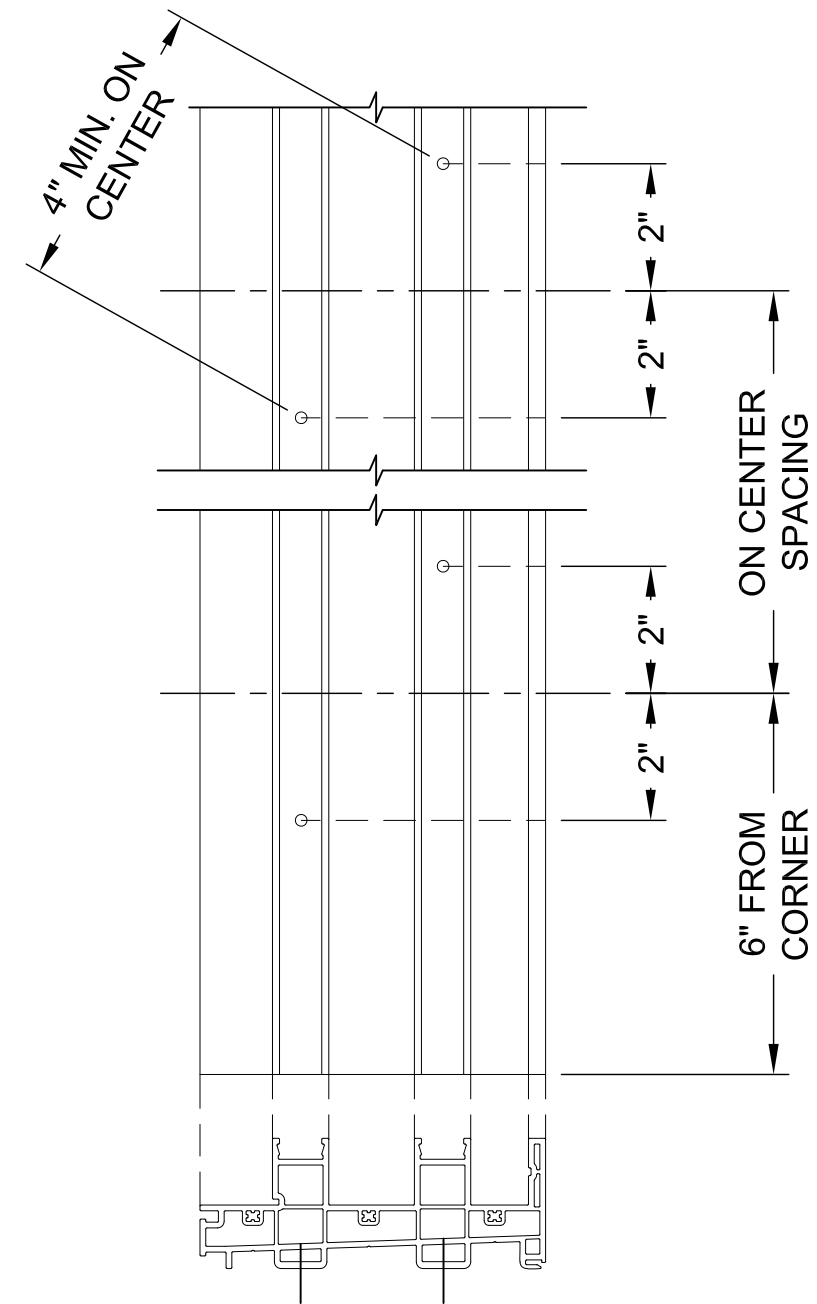


2/18/2021
Lucas A. Turner, P.E.
TX PE #115094
2428 Old Natchez Trc Trl
Camden, TN 38320
Ph. 941-380-1574

WINFORCE SLIDING GLASS DOOR, LARGE MISSILE IMPACT



TYPICAL HEAD / SILL / FRAME-JAMB 2-TRACK INSTALLATION



**2-TRACK DOUBLE ROW
STAGGERED ANCHOR PATTERN
(2 ANCHORS PER LOCATION
INDICATED ON SHEET 1)**

GENERAL ANCHOR NOTES:

1. INSTALL ONE ANCHOR AS INDICATED IN DETAILS ON SHEETS 2 AND 3 AT EACH LOCATION SHOWN IN THE ELEVATIONS ON SHEET 1.
2. INSTALL SHIMS AT EACH ANCHOR LOCATION WHERE A GAP OF 1/16" OR GREATER EXISTS BETWEEN PRODUCT FRAME AND SUBSTRATE.
3. SHIMS SHALL BE LOAD-BEARING (PLASTIC OR METALLIC) AND CAPABLE OF TRANSFERRING LOADS TO SUBSTRATE.
4. SPECIFIED ANCHOR EMBEDMENT TO SUBSTRATE SHALL BE BEYOND WALL FINISH OR STUCCO, BY OTHERS. FOR ATTACHMENT TO METAL SUBSTRATES ENSURE FULL THREAD ENGAGEMENT THROUGH METAL WALL WITH MIN. 3 THREADS BEYOND.
5. FOR MASONRY WITH WOOD BUCKS LESS THAN 1-1/2" THICK, EMBEDMENT SHALL BE BEYOND WOOD BUCKS AND INTO MASONRY. WOOD BUCKS ARE OPTIONAL WITH MASONRY INSTALLATIONS WHERE MASONRY EDGE DISTANCE CONDITIONS ARE MET WITH NO BUCKS. WOOD BUCKS 1-1/2" THICK OR GREATER SHALL HAVE EMBEDMENT INTO THE WOOD BUCKS.
6. ENSURE 3" MIN. ON-CENTER SPACING BETWEEN ANY TWO INSTALLATION ANCHORS.

NORTHEAST BUILDING PRODUCTS

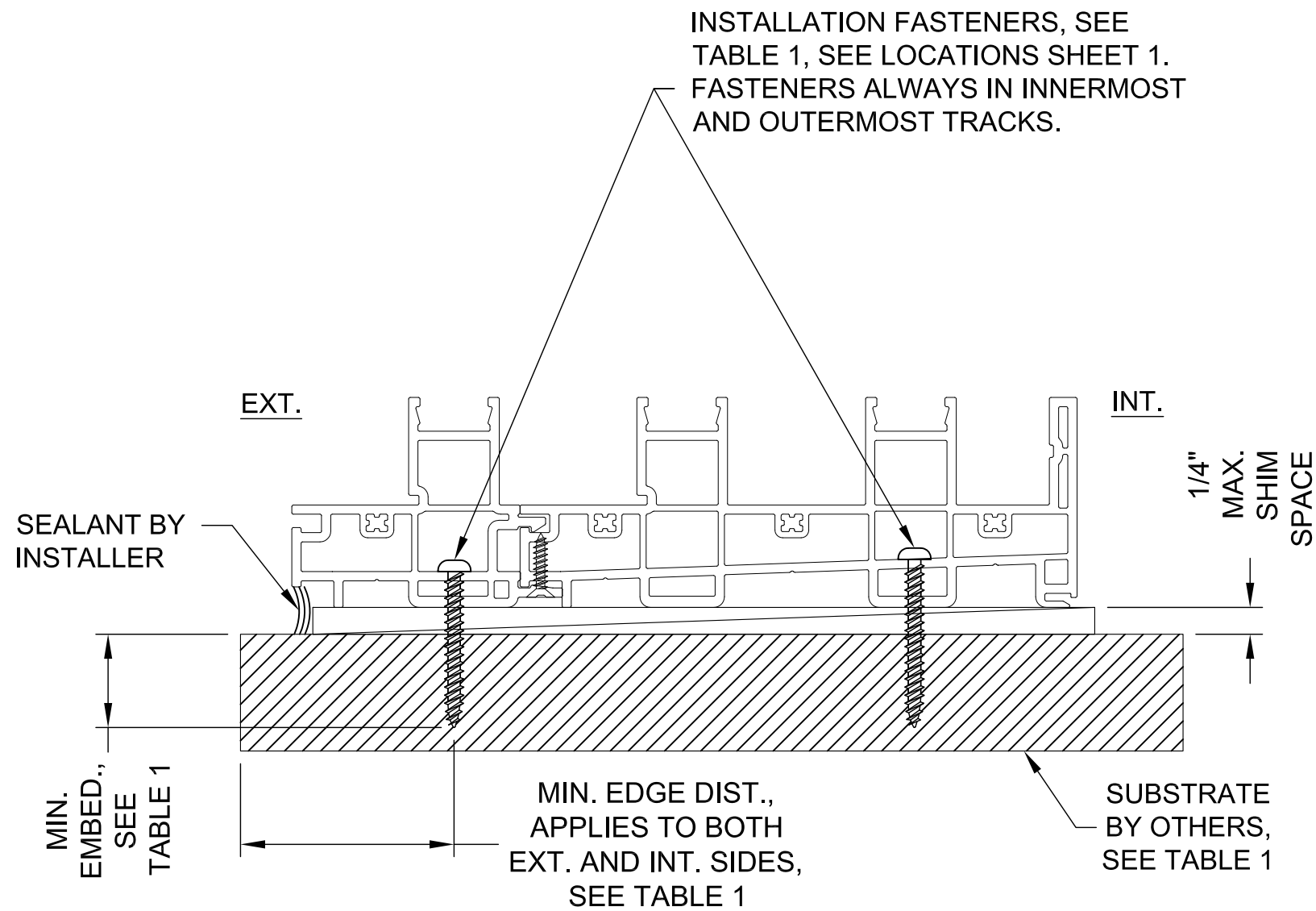
4280 Aramingo Ave., Philadelphia, PA 19124
Ph. (215) 535-7110 www.nbpwindows.com

SHEET DESCRIPTION: 2-TRACK INSTALLATION	DATE DRAWN: 4/25/2017
REV. A: UPDATE TO 2018 IBC/IRC	SCALE: NTS
DRAWING: TDI-WINFORCE-SGD-LM	SHEET: 5 OF 8

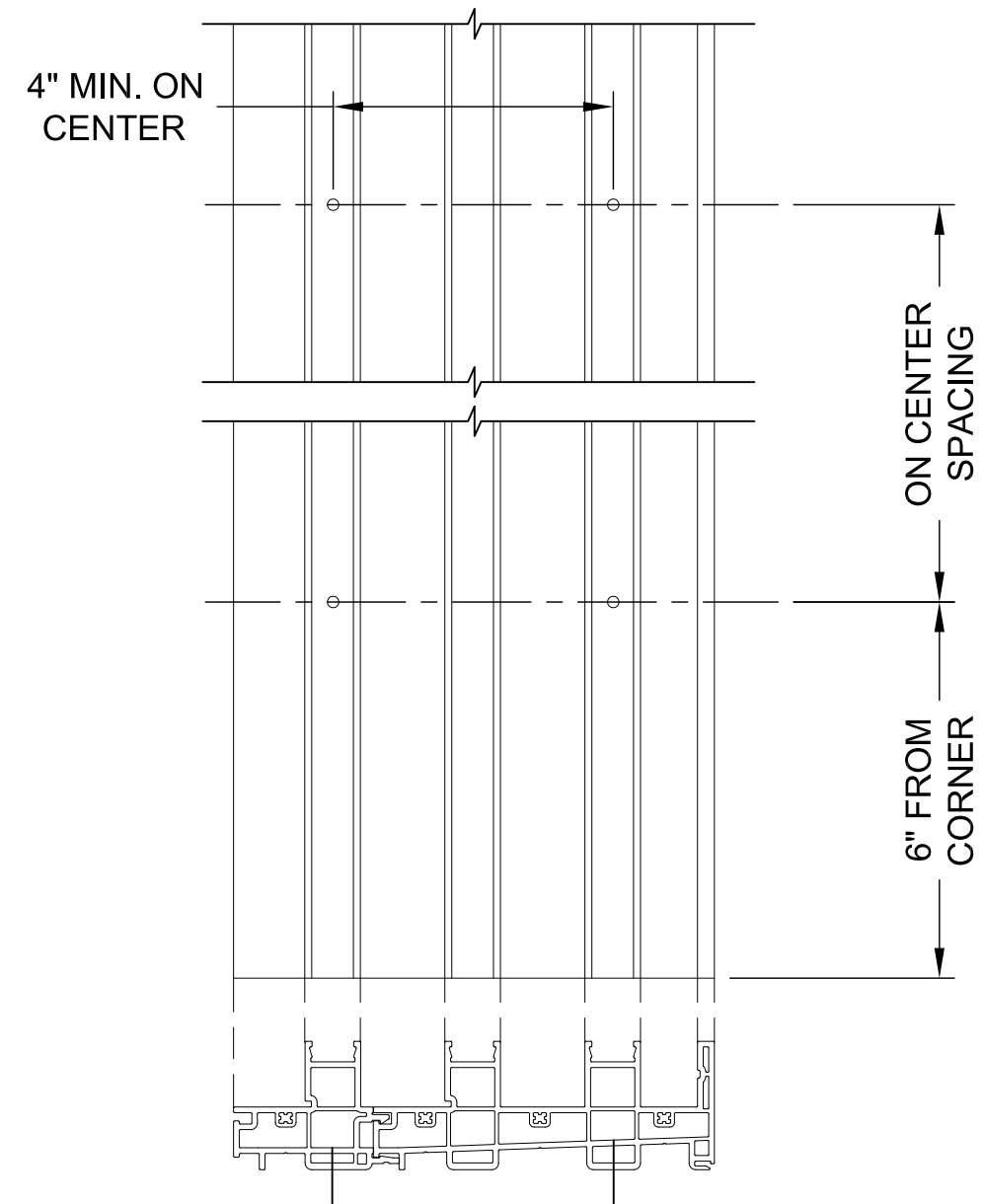


2/18/2021
Lucas A. Turner, P.E.
TX PE #115094
2428 Old Natchez Trc Trl
Camden, TN 38320
Ph. 941-380-1574

WINFORCE SLIDING GLASS DOOR, LARGE MISSILE IMPACT



TYPICAL HEAD / SILL / FRAME-JAMB 3 OR MORE TRACKS INSTALLATION



**3 OR MORE TRACK
DOUBLE ROW ALIGNED
ANCHOR PATTERN
(2 ANCHORS PER LOCATION
INDICATED ON SHEET 1)**

SEE GENERAL ANCHOR NOTES, SHEET 3.

NORTHEAST BUILDING PRODUCTS

4280 Aramingo Ave., Philadelphia, PA 19124
Ph. (215) 535-7110 www.nbpwindows.com

SHEET DESCRIPTION: 3 OR MORE TRACK INSTALLATION	DATE DRAWN: 4/25/2017
REV. A: UPDATE TO 2018 IBC/IRC	SCALE: NTS
DRAWING: TDI-WINFORCE-SGD-LM	SHEET: 6 OF 8

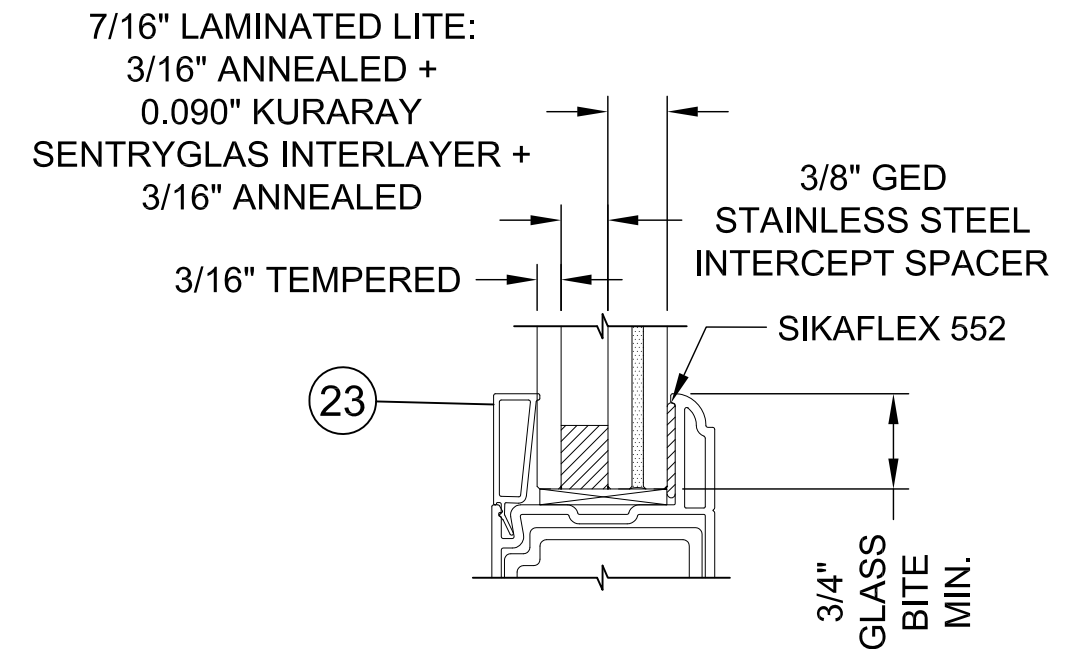


2/18/2021
Lucas A. Turner, P.E.
TX PE #115094
2428 Old Natchez Trc Trl
Camden, TN 38320
Ph. 941-380-1574

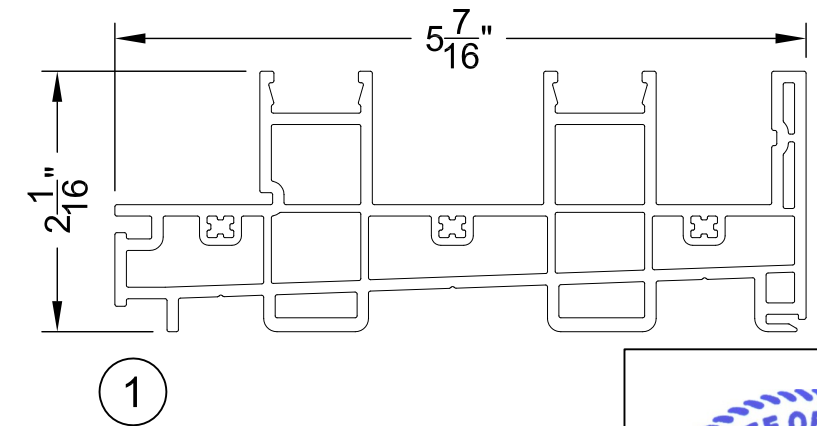
BILL OF MATERIALS

ITEM NO.	DESCRIPTION	PART NO.	SOURCE	MATERIAL
1	Frame Head/Sill/Jamb	10001160	Deceuninck	PVC
2	Frame Adaptor Head/Sill/Jamb	10001165	Deceuninck	PVC
3	Frame Screw Covers	10004723	Deceuninck	PVC
4				
5	Pocket Hook - P-Hook	10300236	Astro Shapes	6063-T6 Alum.
6	DP 70 Waterbar - Sill Riser	10300240	Astro Shapes	6063-T6 Alum.
7	High Sill Riser	10300241	Astro Shapes	6063-T6 Alum.
8	Roller Track	10300234	Astro Shapes	6063-T6 Alum.
9	Jamb Panel Spacer - Fixed Panel	10300239	Astro Shapes	6063-T6 Alum.
10				
11	P-Hook & Interlock Bulb Seal	AP525 BULB SEAL	Amesbury	TPE
12	Keeper	HD-205	Interlock	St. Steel
13				
14	Weather-Stripping Pad 1.35" UltraPlug 1.5" W x .75" H x 1.3" L Clear Fin w/3M Adhesive		UltraFab	Pile
15	Frame Corner Gasket - 10001160	17B27B / 11314-00	Lamatek	Gasket
16	Frame Adapter Corner Gasket - 10001165	17B27A / 11314-00	Lamatek	Gasket
17	#8 x 3" SS Truss Head SMS	Frame Assembly	Merchants	St. Steel
18	#8 x 5/8" PPH SS SMS	Frame Adapter	Merchants	St. Steel
19	#8 x 1" PFH SS SMS TEK	Keeper	Merchants	St. Steel
20	#8 X 1 1/4" PPH SS (Into the Jamb)	Fixed Panel Spacer	Merchants	St. Steel
21				
22	Panel Stiles and Rails	10001170	Deceuninck	PVC
23	IG Glazing Bead 1"	10001173	Deceuninck	PVC
24	Astragal Cover	10001180	Deceuninck	PVC
25	Astragal Cover	10001181	Deceuninck	PVC
26	Interlock Cover	10001182	Deceuninck	PVC
27				
28	Lock Stile, Top/Bot Rail Reinf.	10300231	Astro Shapes	6005-T5 Alum.
29	Interlock Stile Reinforcment - HD	10300232	Astro Shapes	6005-T5 Alum.
30	Interlock Stile Reinforcment - Aluminum Tube	1" x 1.5" x .125" (w/.125 radius)	Astro Shapes	6005-T5 Alum.
31	Interlock	10300237	Astro Shapes	6063-T6 Alum.
32	Astragal	10300233	Astro Shapes	6063-T6 Alum.
33	Fixed Panel Clip	10300300	Astro Shapes	6063-T6 Alum.
34	Hurricane Clip	10300264	Astro Shapes	6063-T6 Alum.
35				
36	Face adjust tandem roller	1983 - PRECISION ROLLER	Amesbury	Nylon/St. Steel
37	Mortise Lock/Keeper	PS01-1020/PS01-0061	Interlock	St. Steel
38	L Bracket - 2" x 5/8" Wide Steel Corner Brace	1WDE2	Grainger	
39	#10 x 2" Hex Head SS SMS TEK	Interlock/Astragal Attach.	Merchants	St. Steel
40	#10 x 1" Hex Head SS SMS TEK	Side of Interlock Attach.	Merchants	St. Steel
41	#8 x 1" PPH SS SMS TEK	Roller Screws	Merchants	St. Steel
42	#8 x 1" PPH SS SMS TEK	L Bracket at Each Corner (2 Per Corner)	Merchants	St. Steel
43	#8 x 1" PPH SS SMS TEK	Lock and Keeper	Merchants	St. Steel
44	Weather-Stripping - Panels	.187" x .160" CenterFin	UltraFab	Fin Pile
45	Weather-Stripping - Interlocks	.187" x .290" CenterFin	UltraFab	Fin Pile
46	Weather-Stripping Pad 1" UltraPlug 1.5" W x .75" H x 1" L Clear Fin w/3M Adhesive		UltraFab	Pile

**WINFORCE SLIDING GLASS DOOR,
LARGE MISSILE IMPACT**



TYPICAL GLAZING DETAIL



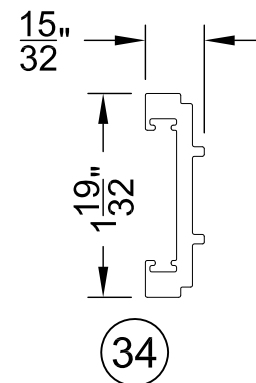
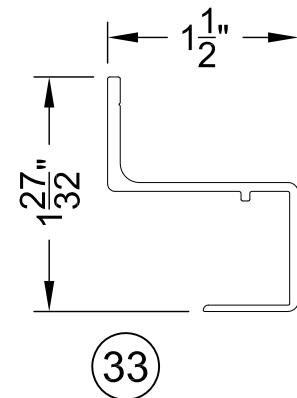
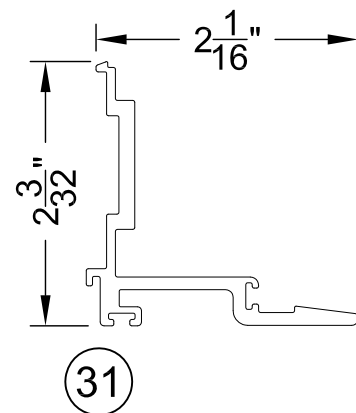
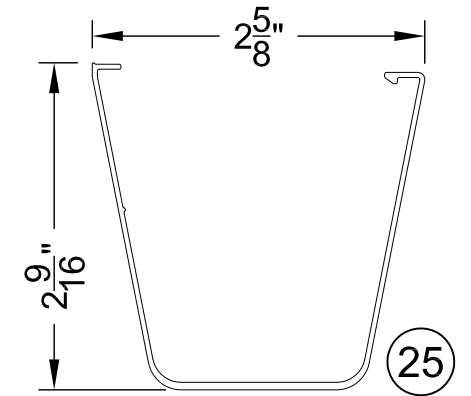
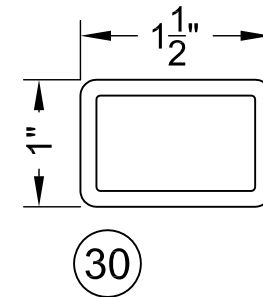
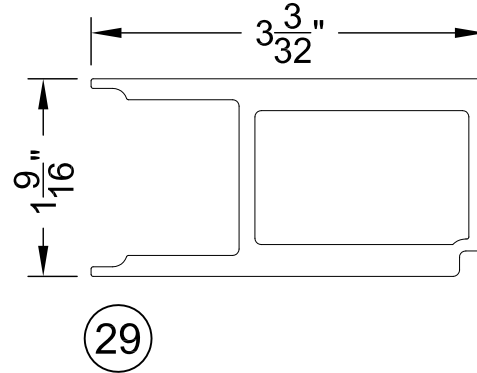
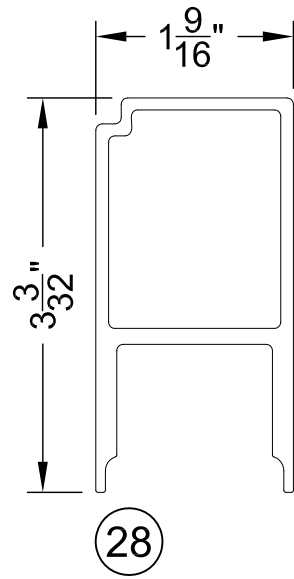
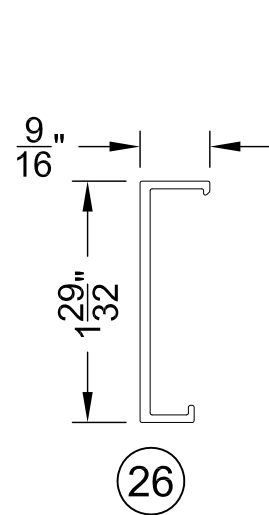
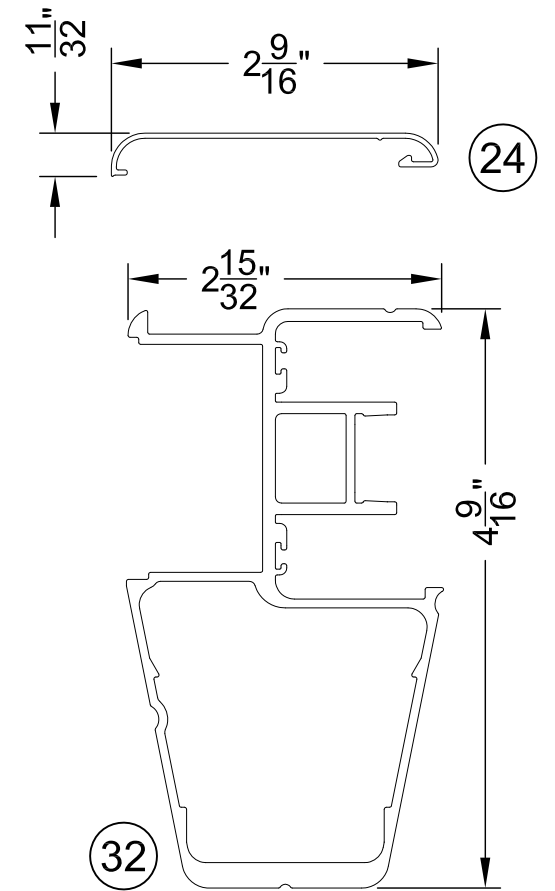
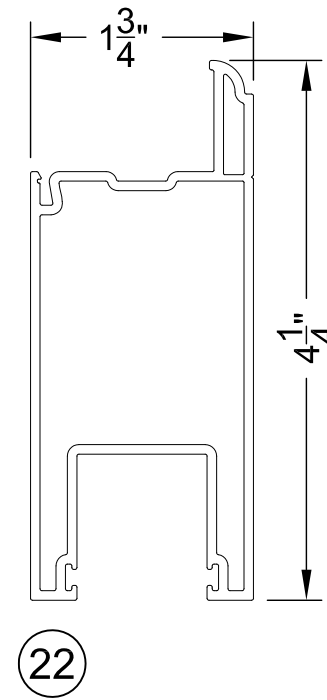
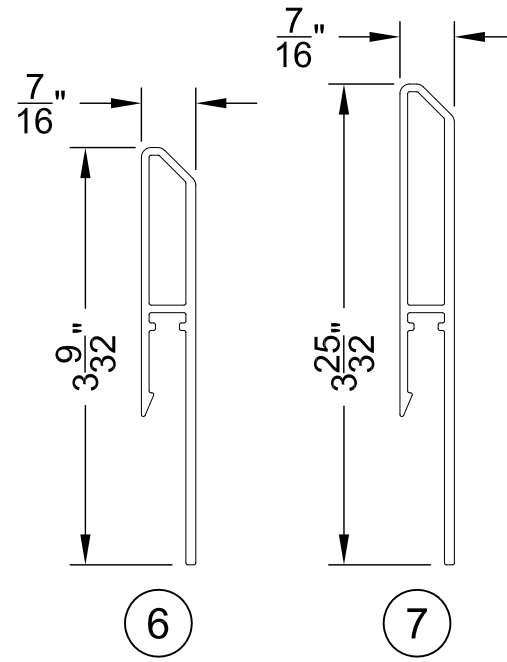
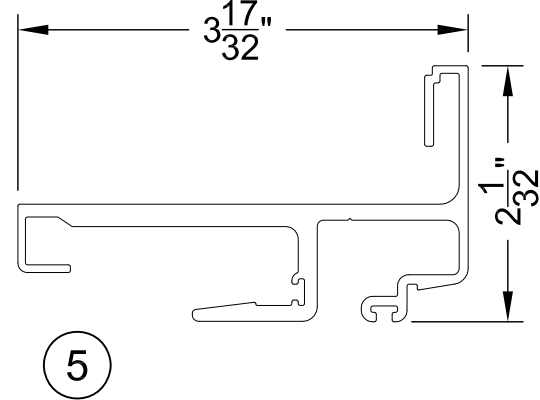
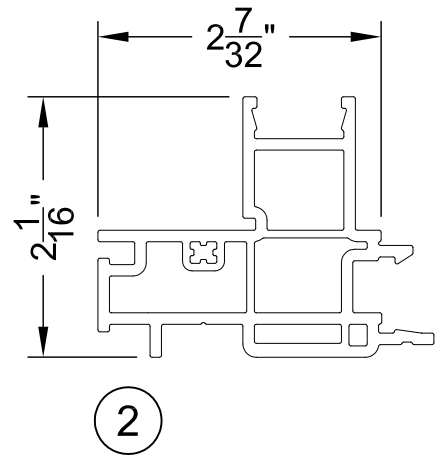
NORTHEAST BUILDING PRODUCTS

4280 Aramingo Ave., Philadelphia, PA 19124
Ph. (215) 535-7110 www.nbpwindows.com

SHEET DESCRIPTION: BOM, TYP. GLAZING, PART DWG	DATE DRAWN: 4/25/2017
REV. A: UPDATE TO 2018 IBC/IRC	SCALE: NTS
DRAWING: TDI-WINFORCE-SGD-LM	SHEET: 7 OF 8

2/18/2021
Lucas A. Turner, P.E.
TX PE #115094
2428 Old Natchez Trc Trl
Camden, TN 38320
Ph. 941-380-1574

WINFORCE SLIDING GLASS DOOR, LARGE MISSILE IMPACT



NORTHEAST BUILDING PRODUCTS

4280 Aramingo Ave., Philadelphia, PA 19124
Ph. (215) 535-7110 www.nbpwindows.com

SHEET DESCRIPTION:
PART DRAWINGS

DATE DRAWN:
4/25/2017

REV. A: UPDATE TO 2018 IBC/IRC

SCALE: NTS

DRAWING: TDI-WINFORCE-SGD-LM

SHEET: 8 OF 8



2/18/2021
Lucas A. Turner, P.E.
TX PE #115094
2428 Old Natchez Trc Trl
Camden, TN 38320
Ph. 941-380-1574