

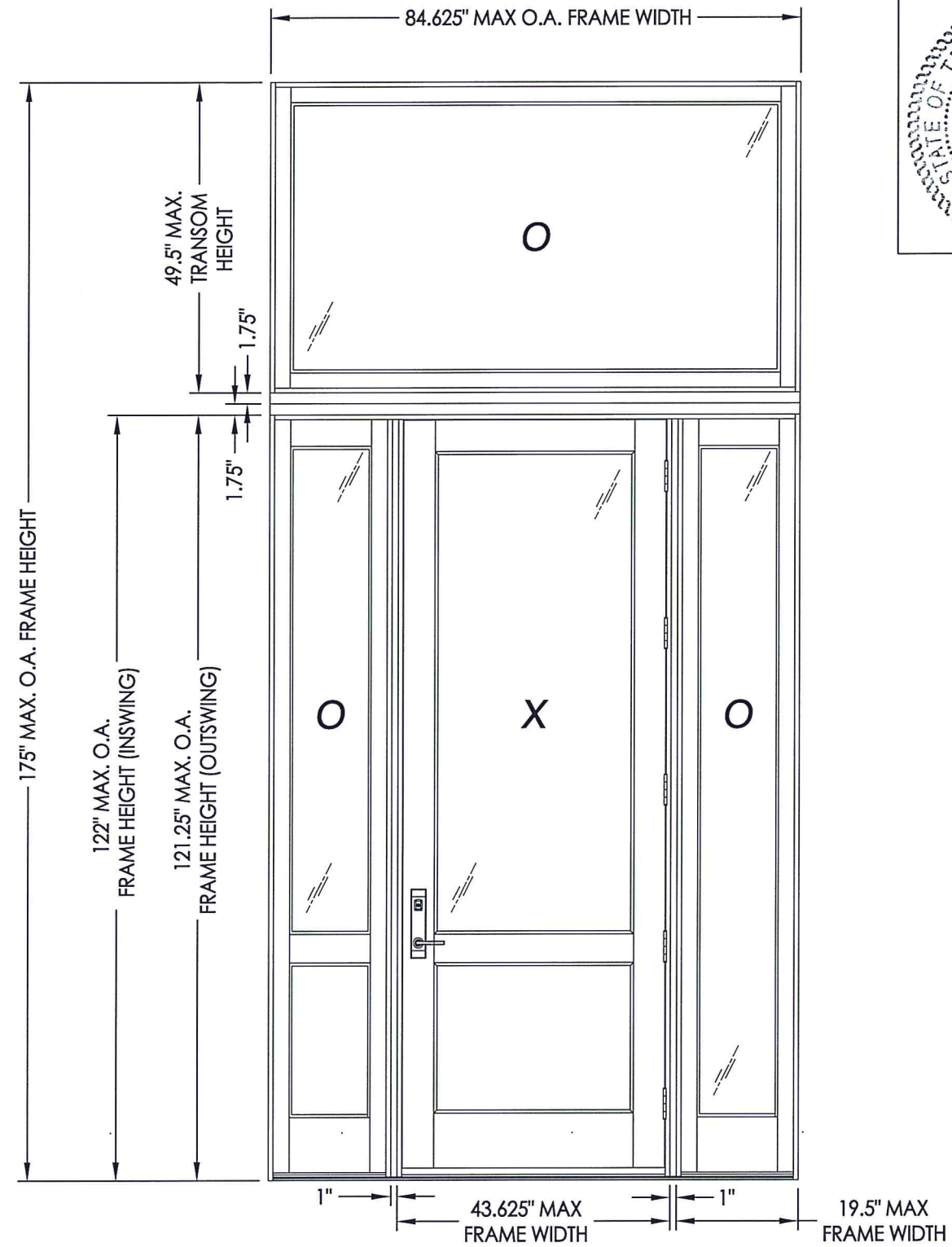


123 NE Beacon Dr.  
Grants Pass, OR 97526

# "Impact-Rated Door"

## WOOD GLAZED OR OPAQUE SINGLE DOOR w/ TRANSOM w/ or w/out SIDELITE(S)

### INSWING/OUTSWING



#### EVALUATED FOR USE IN THE STATE OF TEXAS

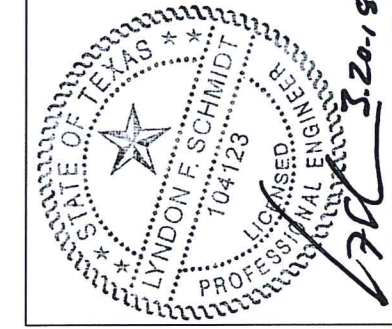
The Wood Door system described herein complies with the 2006 International Residential Code (IRC), Sections R301 & R613 and the 2006 International Building Code (IBC), Sections 1405.12, 1609, 1714.5, 2403 and 2404 (including Texas revisions) subject to the following conditions:

1. Anchors shall be as listed and spaced as shown in the details. Anchor embedment to base material shall be beyond wall dressing or stucco.
2. This product has been tested and evaluated as a large missile impact protective system for installation in the Seaward, Inland I and Inland II areas. The door, transom & sidelites meet missile level "D" as defined in ASTM E 1996.
3. Allowable design pressure requirements must be equal to or less than the design pressure rating shown in the design pressure chart, sheet 1 of this drawing.
4. Conditions not covered by this drawing are subject to further engineering analysis.

#### TABLE OF CONTENTS

SHEET #	DESCRIPTION
1	Typical Elevations, Design Pressures & General Notes
2	Door Panel Details
3	Sidelite Panel Details
4	Transom Panel Details
5	Elevations
6	Horizontal & Vertical Cross Sections
7	Horizontal & Vertical Cross Sections
8	Vertical Cross Sections
9	Frame Anchoring
10	Hardware Details
11	Bill of Materials & Components

CONFIGURATION	DESIGN PRESSURE (PSF) INSWING		DESIGN PRESSURE (PSF) OUTSWING	
	POSITIVE	NEGATIVE	POSITIVE	NEGATIVE
$\frac{O}{X}, \frac{O}{OX}, \frac{O}{XO}, \frac{O}{OXO}$	+65.0	-70.0	+65.0	-65.0



Documents Prepared By: Lyndon F. Schmidt, P.E.  
TEXAS P.E. #104123

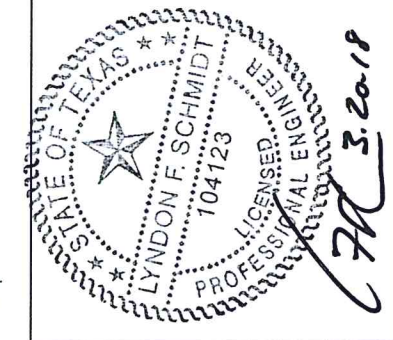
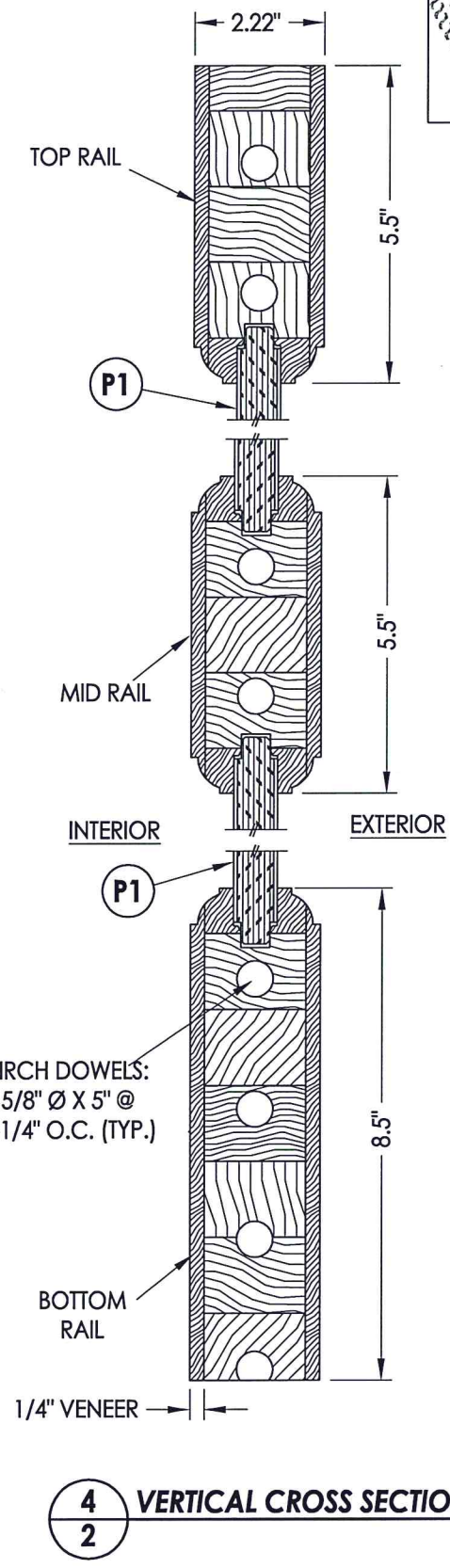
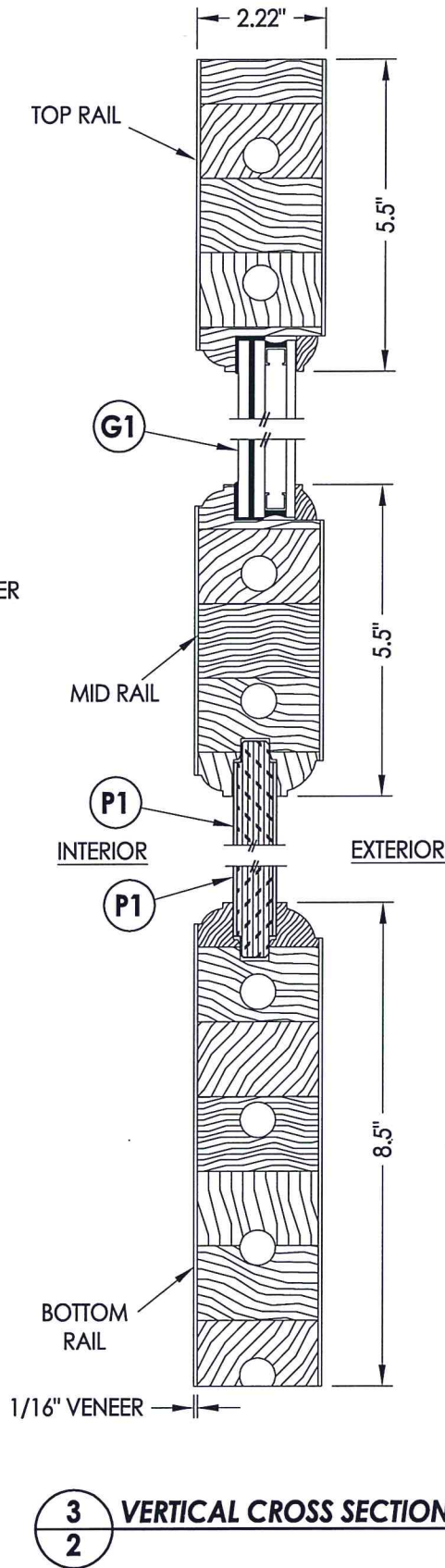
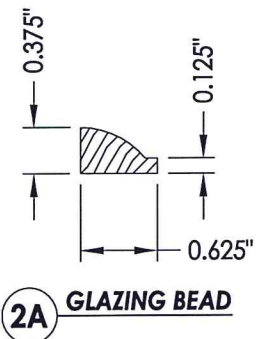
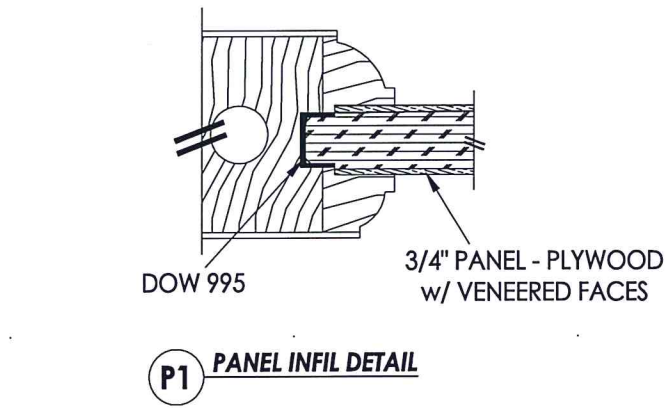
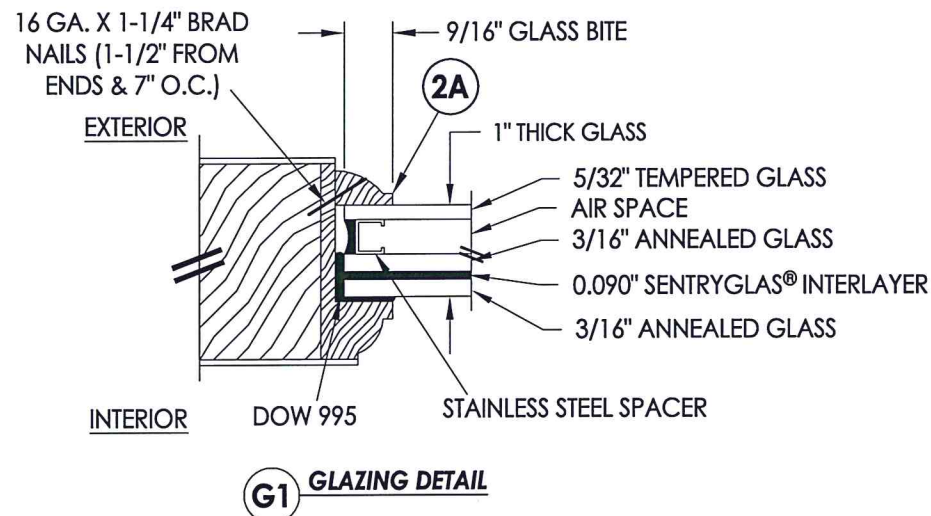
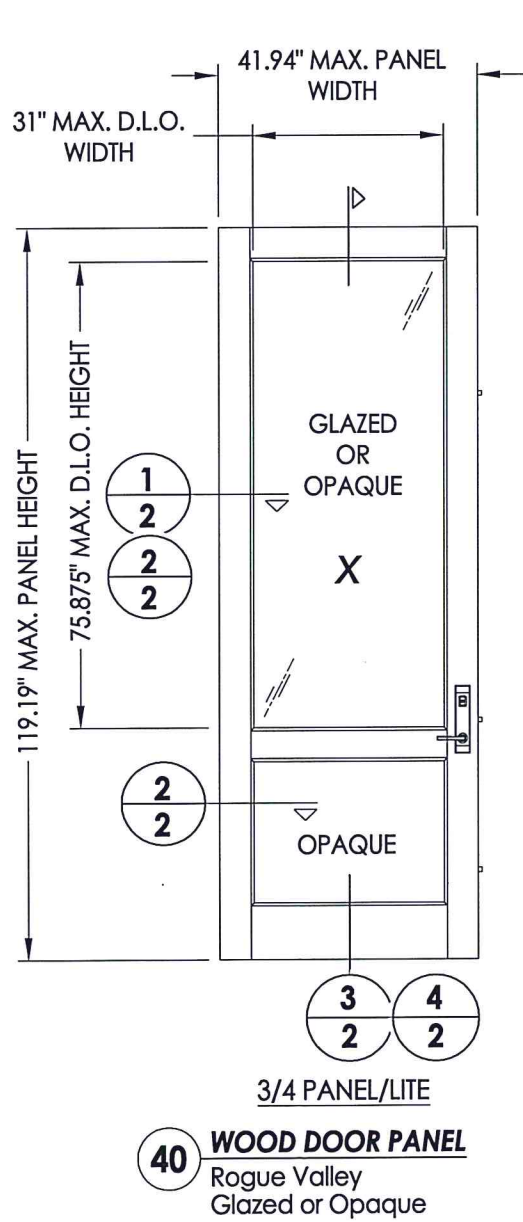
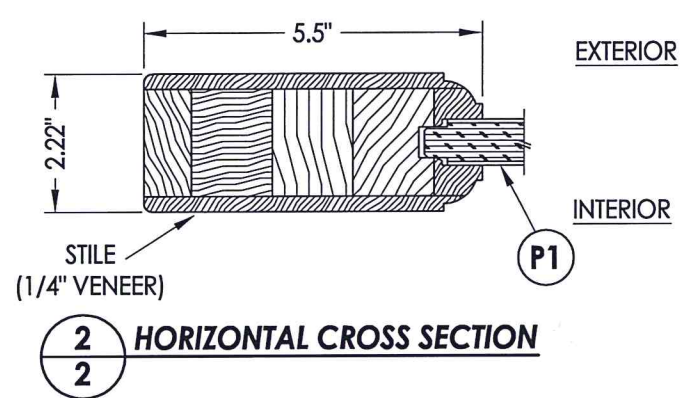
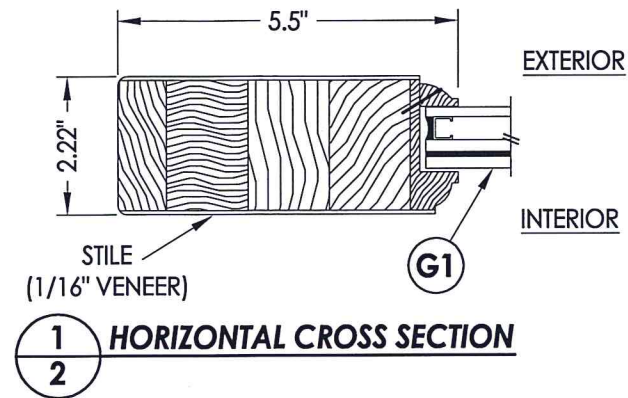
**RW** BUILDING CONSULTANTS, INC.  
P.O. Box 230 Valrico FL 33595  
Phone No.: 813.659.9197

TEXAS BOARD OF PROFESSIONAL ENGINEERS  
CERTIFICATE OF REGISTRATION # F-11852

PRODUCT: ROGUE VALLEY WOOD DOOR  
PART OR ASSEMBLY: TYPICAL ELEVATION, DESIGN PRESSURES & GENERAL NOTES

NO.	DATE	BY	REVISIONS

DATE: 7/31/17  
SCALE: N.T.S.  
DWG. BY: JK  
CHK. BY: LFS  
DRAWING NO.: TX-4713  
SHEET 1 OF 11



Documents Prepared By: Lyndon F. Schmidt, P.E.  
TEXAS P.E. #104123

**RW** BUILDING CONSULTANTS, INC.  
P.O. Box 230 Valrico FL 33595  
Phone No.: 813.659.9197

TEXAS BOARD OF PROFESSIONAL ENGINEERS  
CERTIFICATE OF REGISTRATION # F-11852

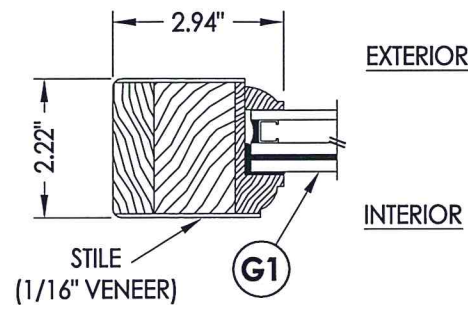
PRODUCT: ROGUE VALLEY WOOD DOOR

PART OR ASSEMBLY: DOOR PANEL DETAILS

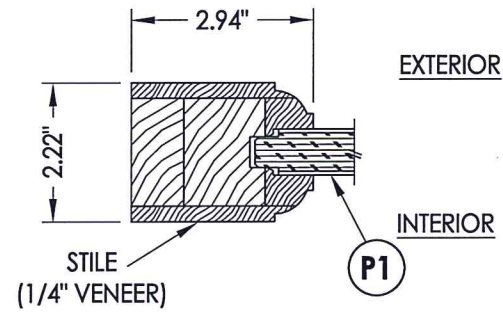
NO.	DATE	BY	REVISIONS

DATE: 7/31/17  
SCALE: N.T.S.  
DWG. BY: JK  
CHK. BY: LFS  
DRAWING NO.: TX-4713  
SHEET 2 OF 11

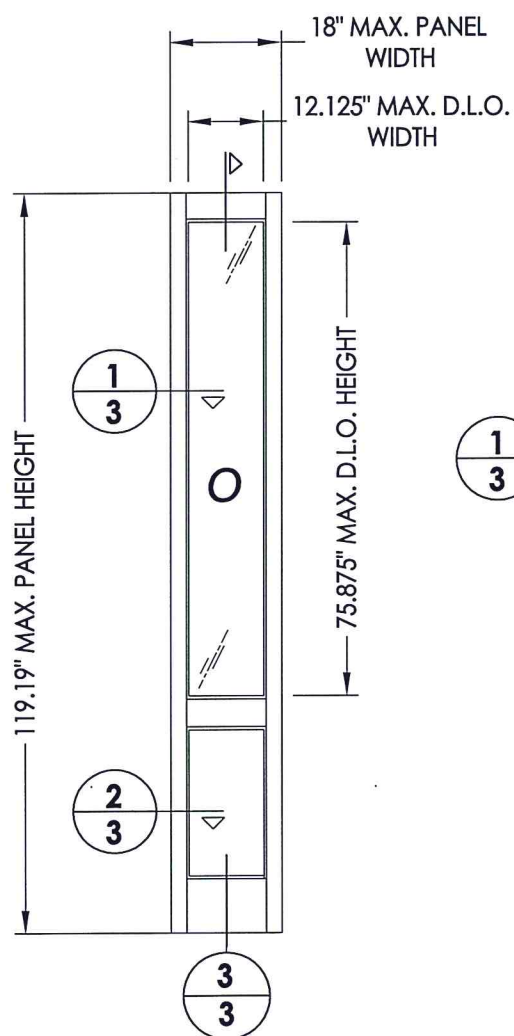
WOOD DOOR COMPONENTS:  
VENEER/EDGES: DOUGLAS FIR (G = 0.51)  
ENGINEERED STAVE CORE: POPLAR (G = 0.42)



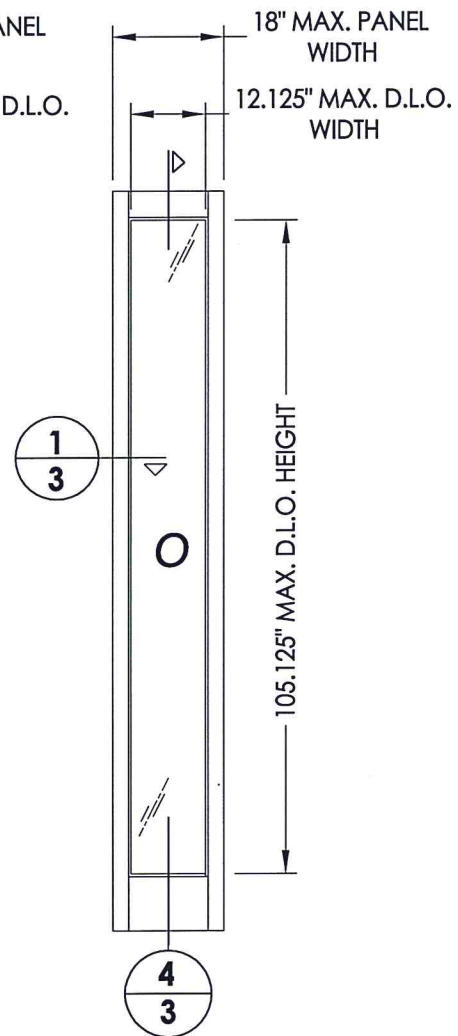
**1**  
**3** **HORIZONTAL CROSS SECTION**



**2**  
**3** **HORIZONTAL CROSS SECTION**

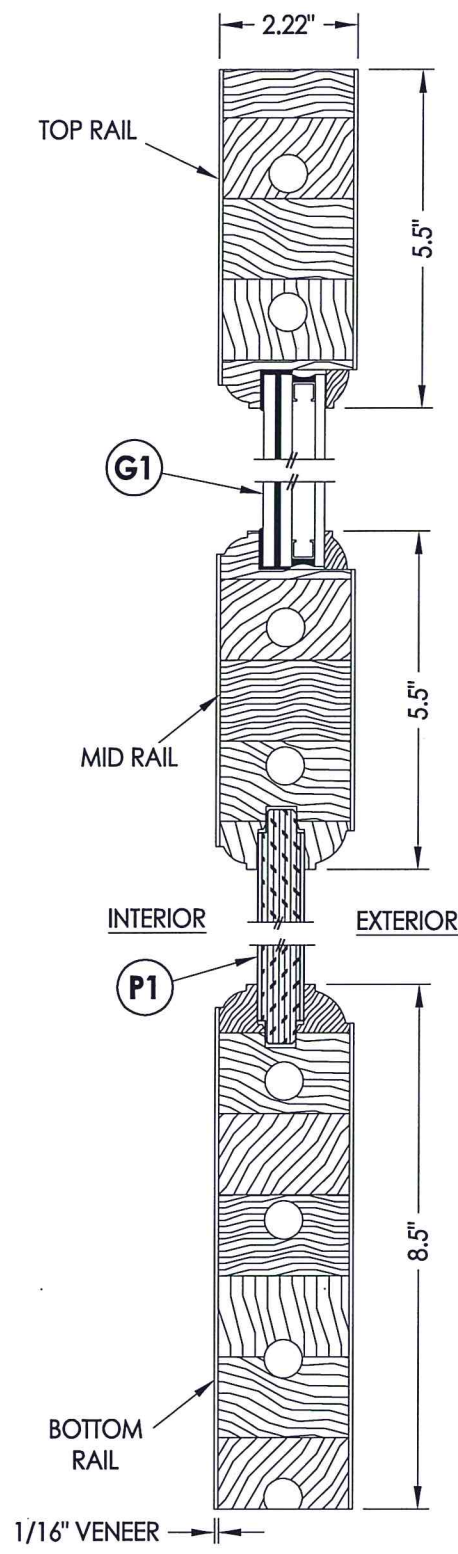


**50** **SIDELITE PANEL**  
Rogue Valley

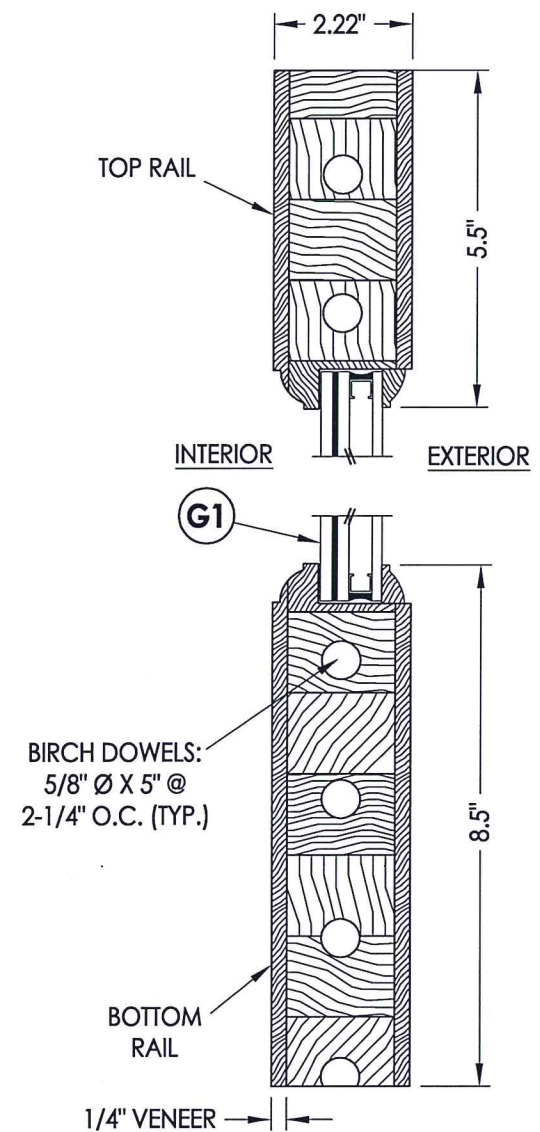


**60** **SIDELITE PANEL**  
Rogue Valley

**WOOD SIDELITE COMPONENTS:**  
**VENEER/EDGES: DOUGLAS FIR (G = 0.51)**  
**ENGINEERED STAVE CORE: POPLAR (G = 0.42)**



**3**  
**3** **VERTICAL CROSS SECTION**



**4**  
**3** **VERTICAL CROSS SECTION**



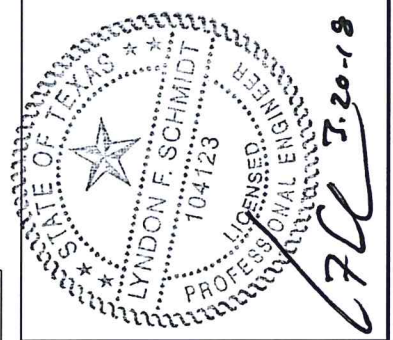
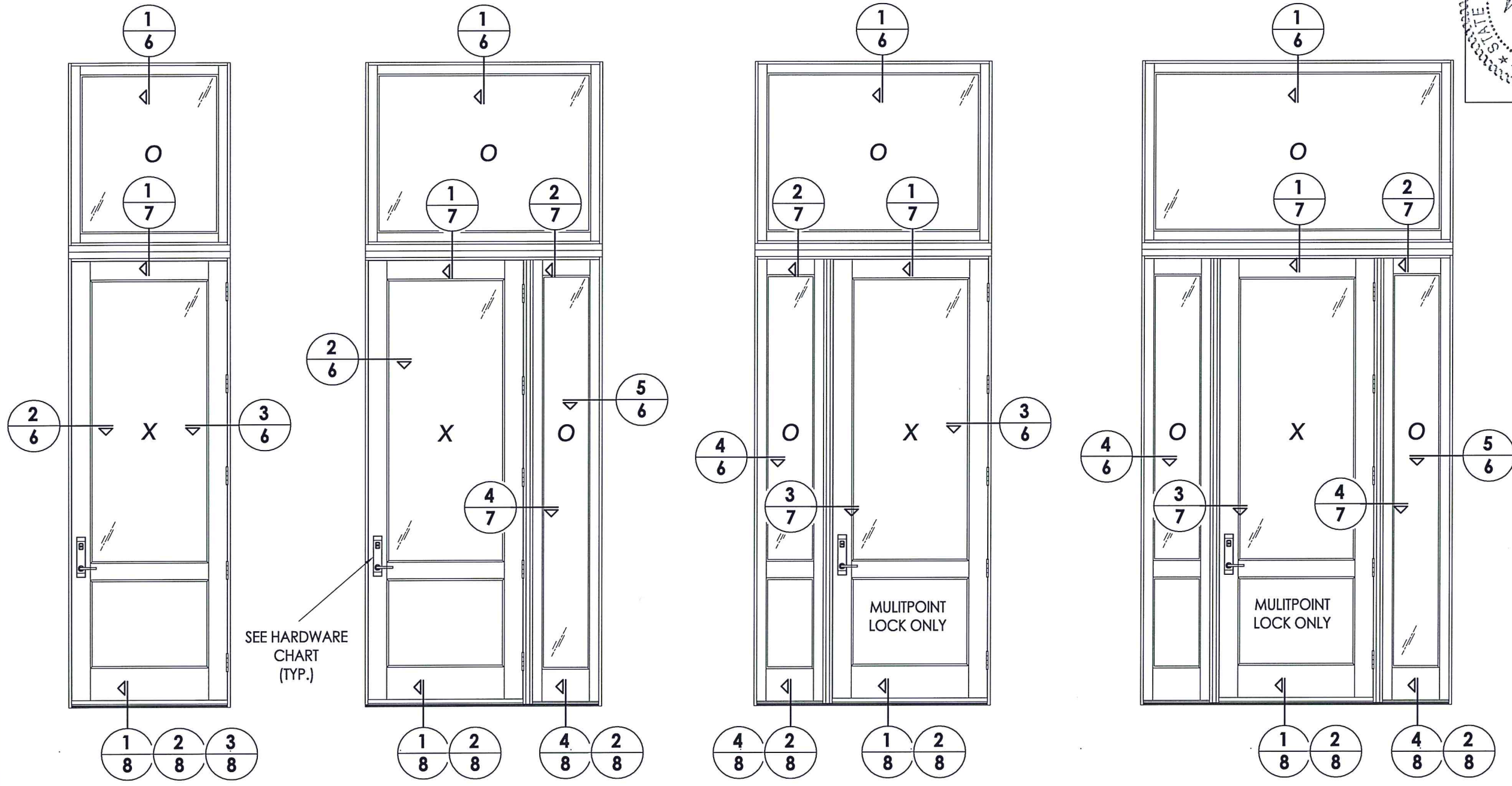
Documents Prepared By: Lyndon F. Schmidt, P.E.  
 TEXAS P.E. #104123  
**RW** BUILDING CONSULTANTS, INC.  
 P.O. Box 230 Valrico FL 33595  
 Phone No.: 813.659.9197  
 TEXAS BOARD OF PROFESSIONAL ENGINEERS  
 CERTIFICATE OF REGISTRATION # F-11852

PRODUCT: ROGUE VALLEY WOOD DOOR  
 PART OR ASSEMBLY: SIDELITE PANEL DETAILS

NO.	DATE	REVISIONS	BY

DATE: 7/31/17  
 SCALE: N.T.S.  
 DWG. BY: JK  
 CHK. BY: LFS  
 DRAWING NO.: TX-4713  
 SHEET 3 OF 11





7/31/17

Documents Prepared By: Lyndon F. Schmidt, P.E.  
TEXAS P.E. #104123

**RW** BUILDING CONSULTANTS, INC.  
P.O. Box 230 Vairico FL, 33595  
Phone No.: 813.659.9197

TEXAS BOARD OF PROFESSIONAL ENGINEERS  
CERTIFICATE OF REGISTRATION # F-11852

PRODUCT: ROGUE VALLEY WOOD DOOR

PART OR ASSEMBLY: ELEVATIONS

NO.	DATE	BY

HARDWARE TABLE			
MANUFACTURER	MODEL	MAX. DESIGN PRESSURE (PSF)	
		INSWING	OUTSWING
SCHLAGE	KNOB: F51 DEADBOLT: B60N	+55/-70	+60/-60
ENDURA	TRILENNIUM 3000 MULTIPOINT LOCK (3-PT.)	+65/-70	+65/-65

DATE: 7/31/17

SCALE: N.T.S.

DWG. BY: JK

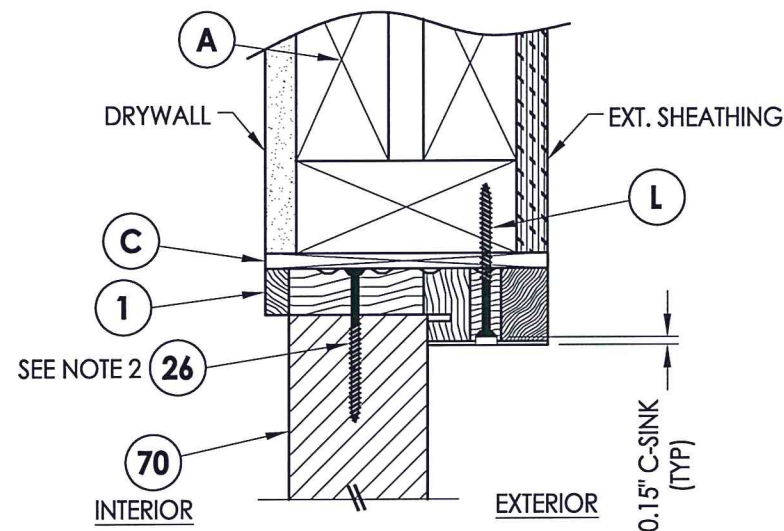
CHK. BY: LFS

DRAWING NO.: TX-4713

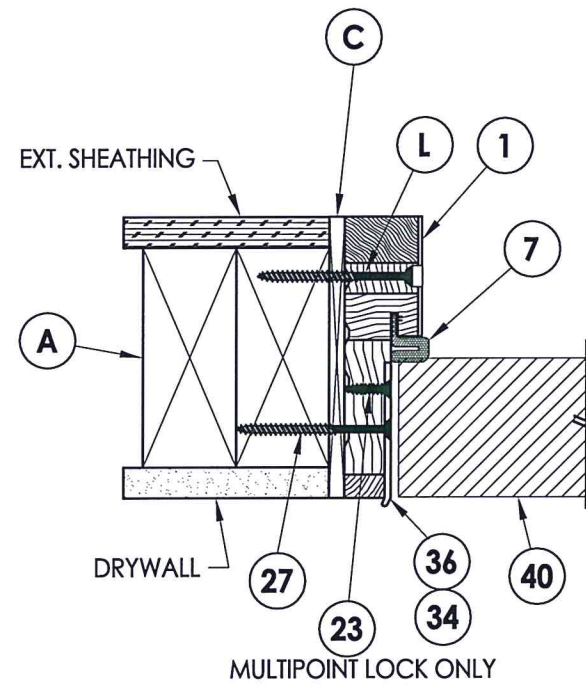
SHEET 5 OF 11

**NOTES:**

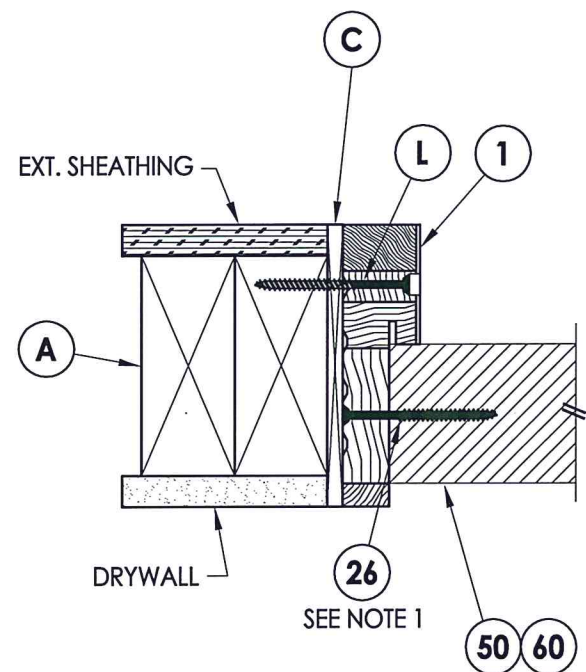
- Item #26 located 6" from each end & 8 more equally spaced (10 total).
- Item #26 located 6" from each end (2 total).



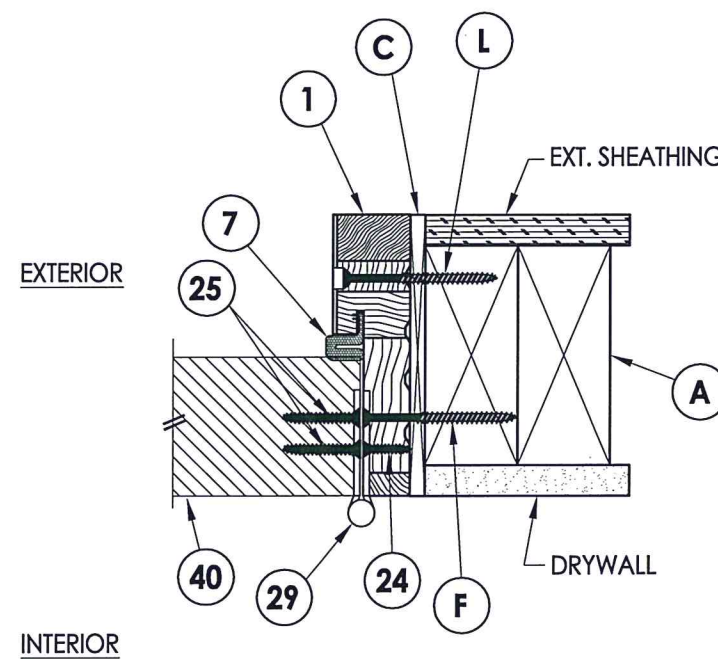
**1**  
**6** **VERTICAL CROSS SECTION**  
Inswing shown (Outswing similar)



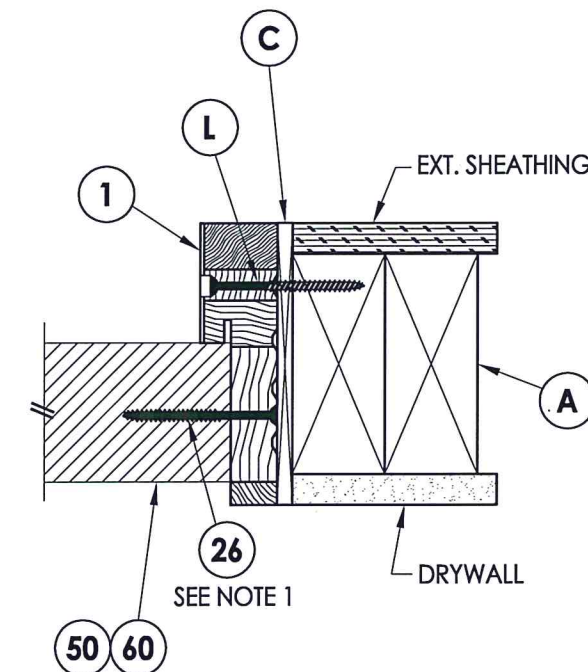
**2**  
**6** **HORIZONTAL CROSS SECTION**  
Inswing shown (Outswing similar)



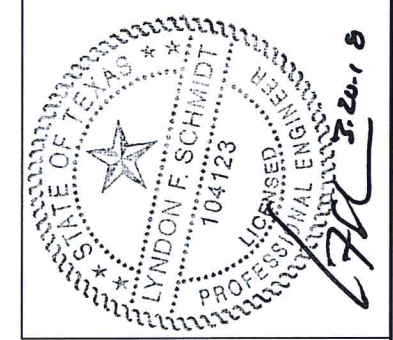
**4**  
**6** **HORIZONTAL CROSS SECTION**  
Inswing shown (Outswing similar)



**3**  
**6** **HORIZONTAL CROSS SECTION**  
Inswing shown (Outswing similar)



**5**  
**6** **HORIZONTAL CROSS SECTION**  
Inswing shown (Outswing similar)



Documents Prepared By: Lyndon F. Schmidt, P.E.  
TEXAS P.E. #104123

**RW** BUILDING CONSULTANTS, INC.  
P.O. Box 230 Valrico FL 33595  
Phone No.: 813.659.9197

TEXAS BOARD OF PROFESSIONAL ENGINEERS  
CERTIFICATE OF REGISTRATION # F-11852

PRODUCT: ROGUE VALLEY WOOD DOOR

PART OR ASSEMBLY: HORIZONTAL & VERTICAL CROSS SECTIONS

NO.	DATE	BY	REVISIONS

DATE: 7/31/17

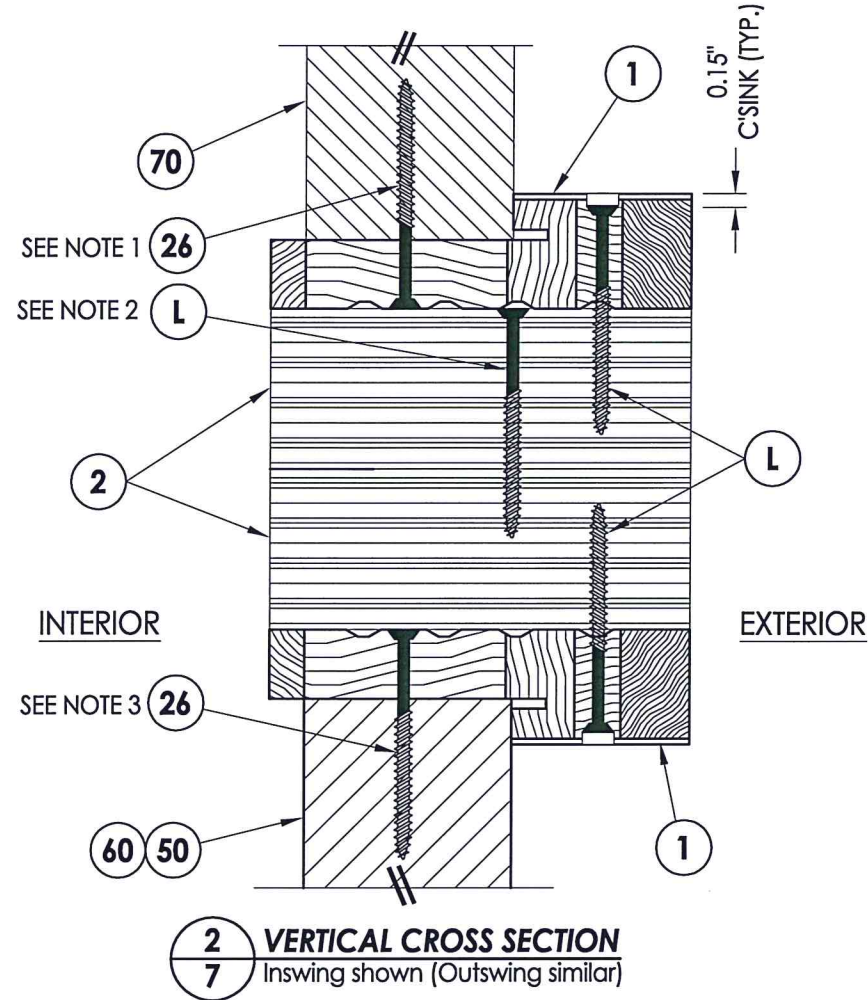
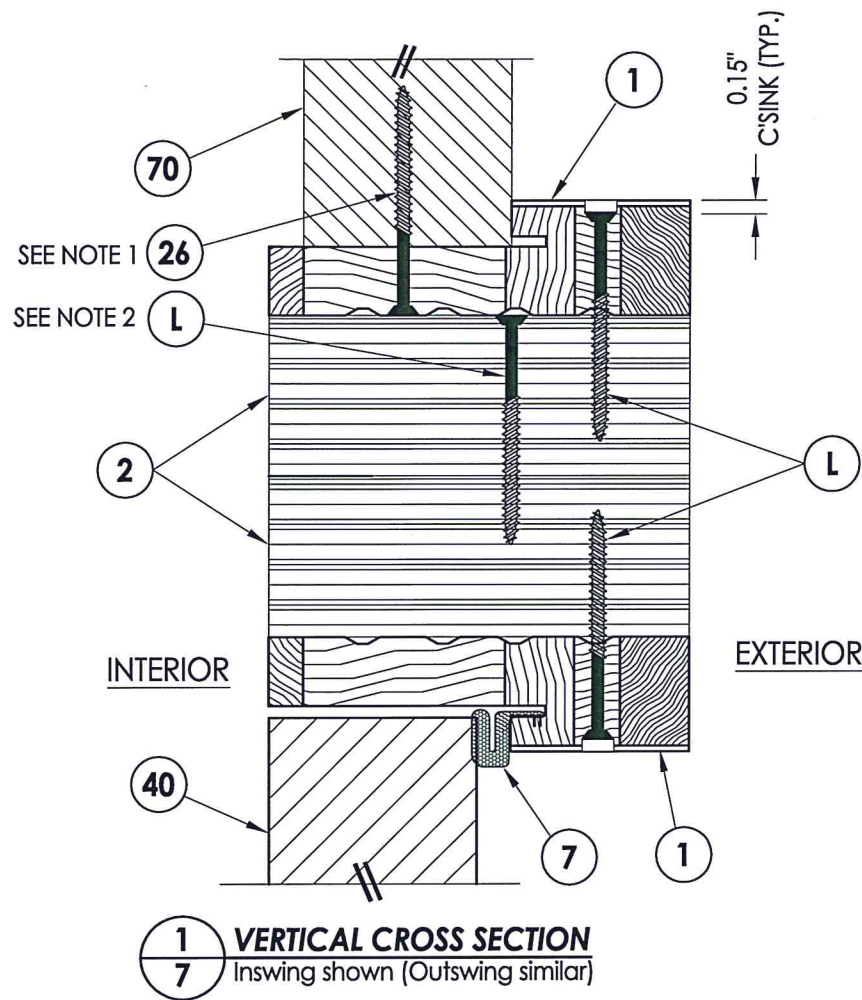
SCALE: N.T.S.

DWG. BY: JK

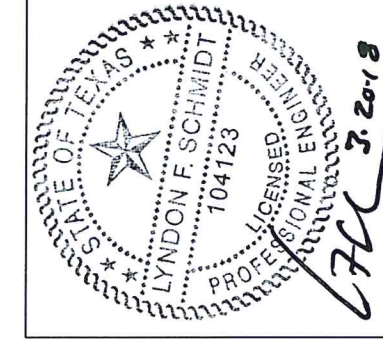
CHK. BY: LFS

DRAWING NO.: TX-4713

SHEET 6 OF 11

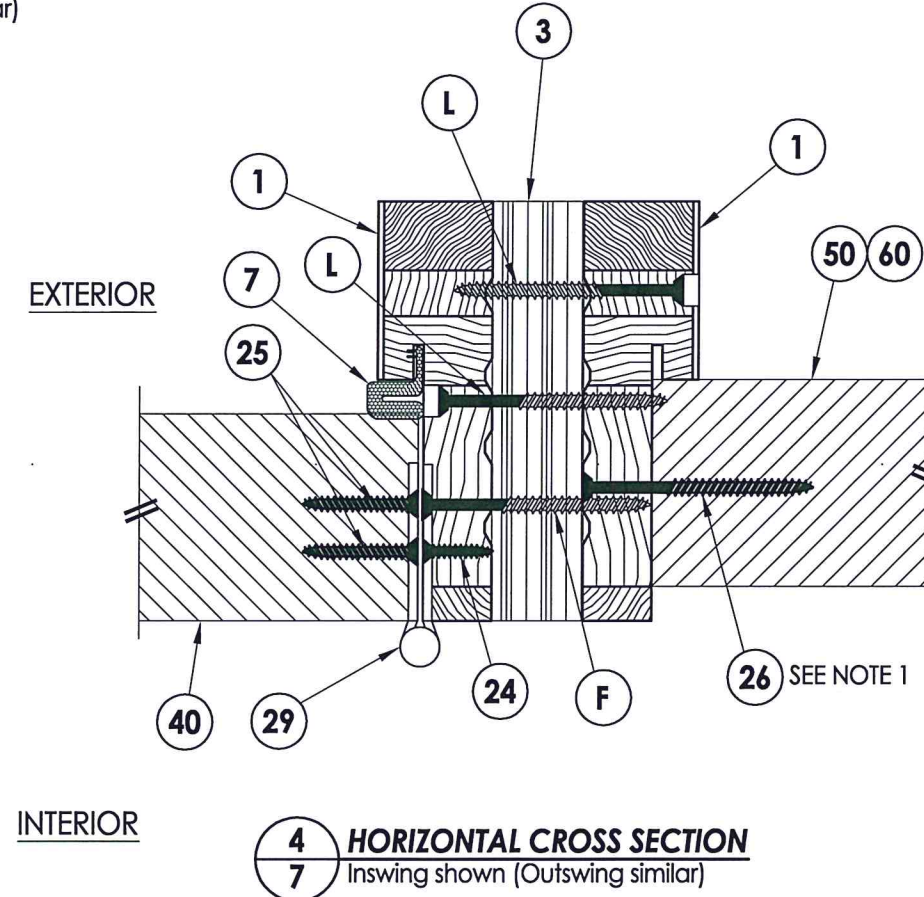
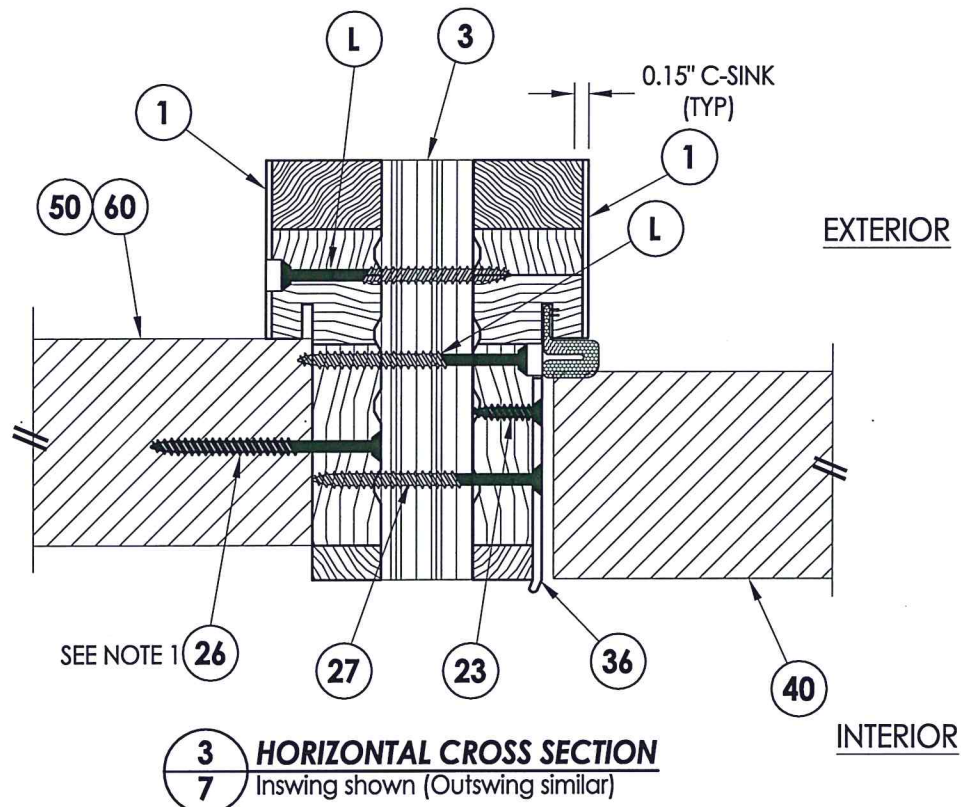


NOTE:  
 1. Item #26 located 6" from each end then 8 more equally space (10 total).  
 2. Item #L located 12" from each end then one in the center (3 total).  
 3. Item #26 located 6" from each end (2 total).



Documents Prepared By: Lyndon F. Schmidt, P.E.  
 TEXAS P.E. #104123

**RW** BUILDING CONSULTANTS, INC.  
 P.O. Box 230 Valrico FL 33595  
 Phone No.: 813.659.9197  
 TEXAS BOARD OF PROFESSIONAL ENGINEERS  
 CERTIFICATE OF REGISTRATION # F-11852



PRODUCT: ROGUE VALLEY WOOD DOOR

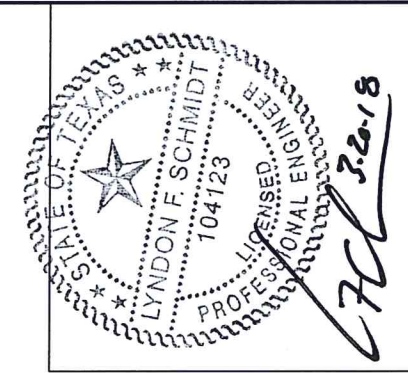
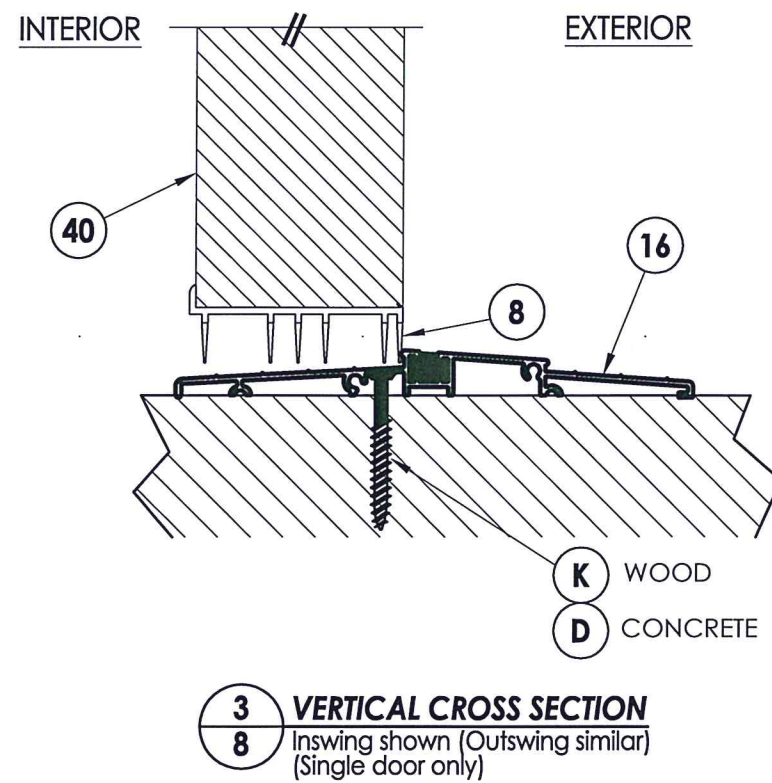
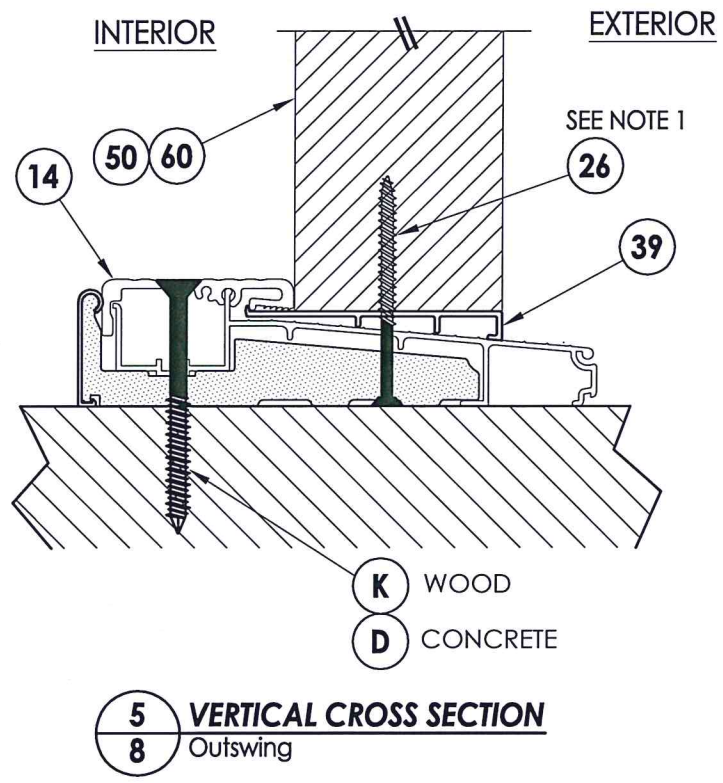
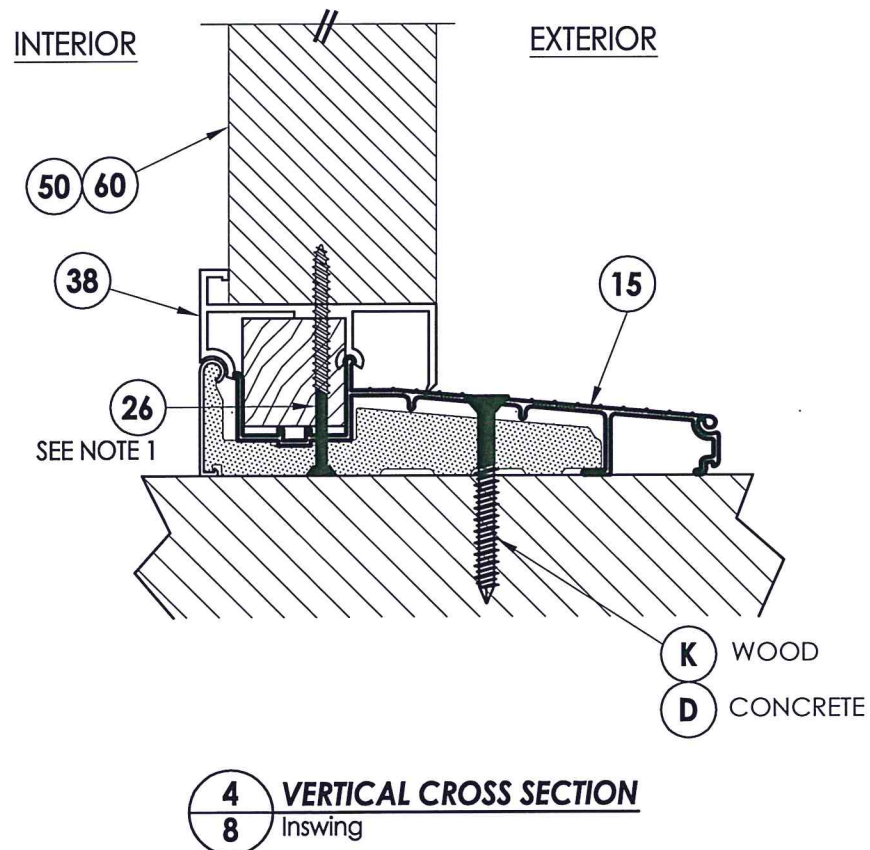
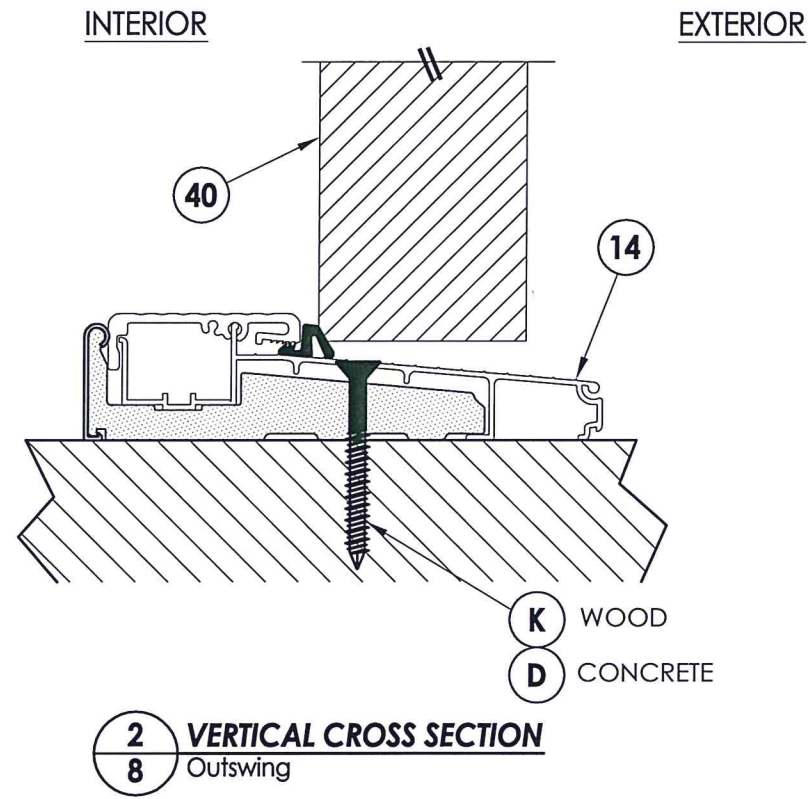
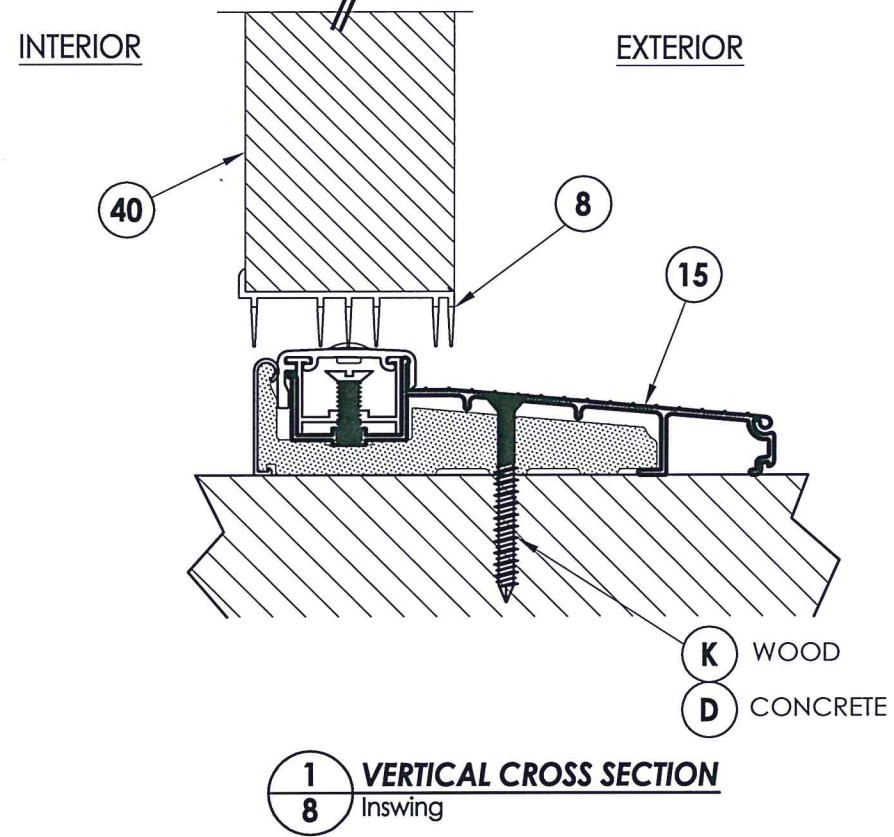
PART OR ASSEMBLY: HORIZONTAL AND VERTICAL CROSS SECTIONS

NO.	DATE	BY	REVISIONS

DATE: 7/31/17  
 SCALE: N.T.S.  
 DWG. BY: JK  
 CHK. BY: LFS  
 DRAWING NO.: TX-4713  
 SHEET 7 OF 11

R:\Clients\Rogue Valley Doors PERMANENT\B - Texas Dept of Ins\TDI - DR-XXX (Sub ID 6970)\C - Drawings\TX-4712-13.dwg, 8.2

NOTES:  
1. Item #26 located 6" from each end (2 total).



Documents Prepared By: Lyndon F. Schmidt, P.E.  
TEXAS P.E. #104123

**RW** BUILDING CONSULTANTS, INC.  
P.O. Box 230 Valrico FL, 33595  
Phone No.: 813.659.9197  
TEXAS BOARD OF PROFESSIONAL ENGINEERS  
CERTIFICATE OF REGISTRATION # F-11852

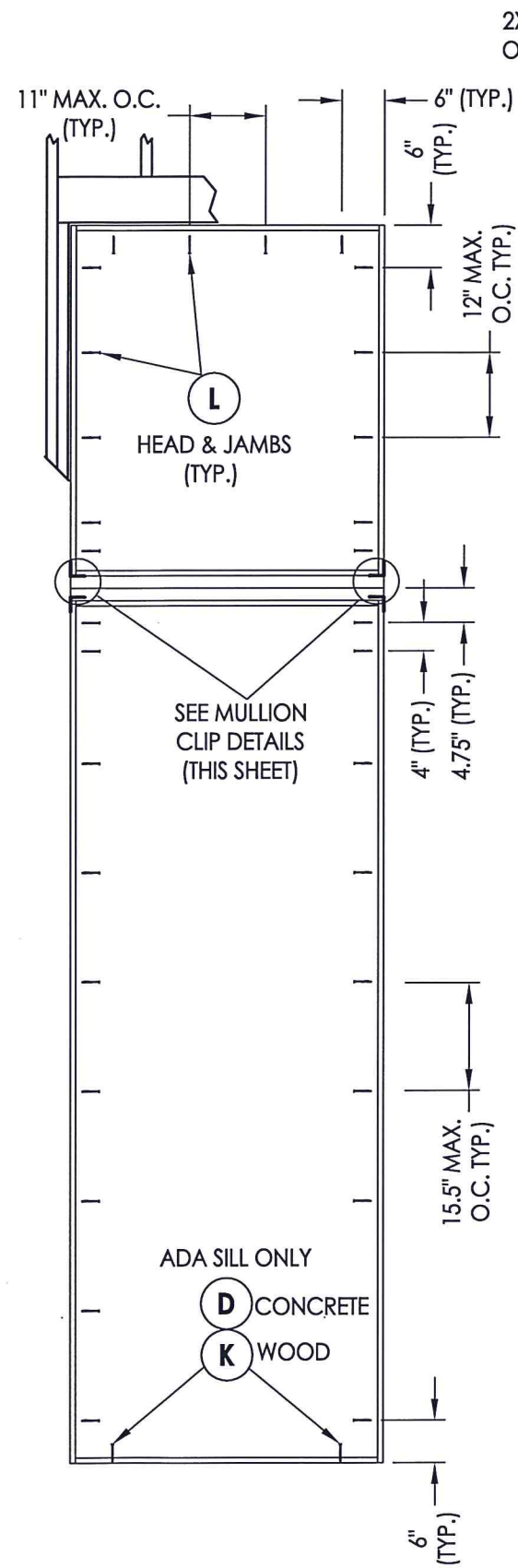
PRODUCT: ROGUE VALLEY WOOD DOOR  
PART OR ASSEMBLY: VERTICAL CROSS SECTIONS

NO.	DATE	BY	REVISIONS

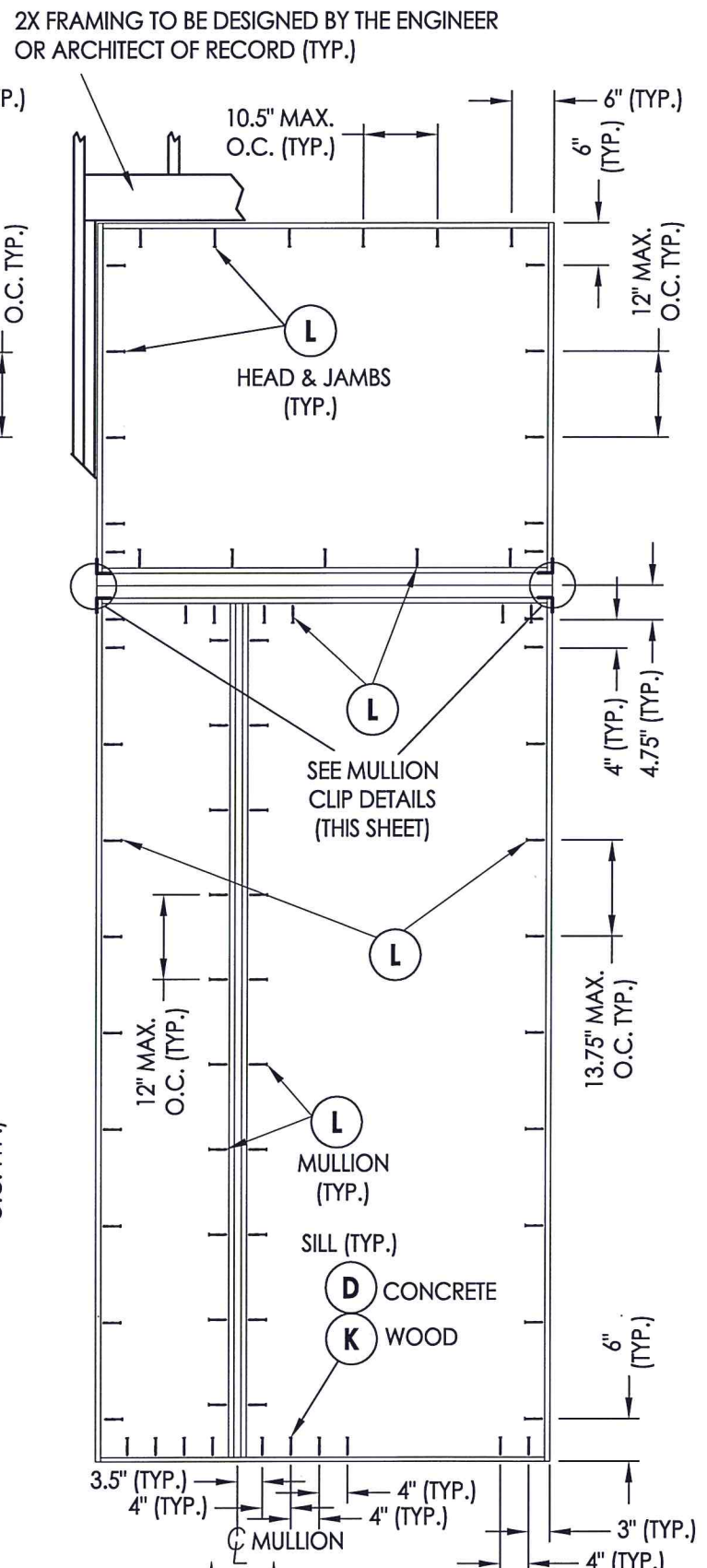
DATE: 7/31/17  
SCALE: N.T.S.  
DWG. BY: JK  
CHK. BY: LFS  
DRAWING NO.: TX-4713  
SHEET 8 OF 11



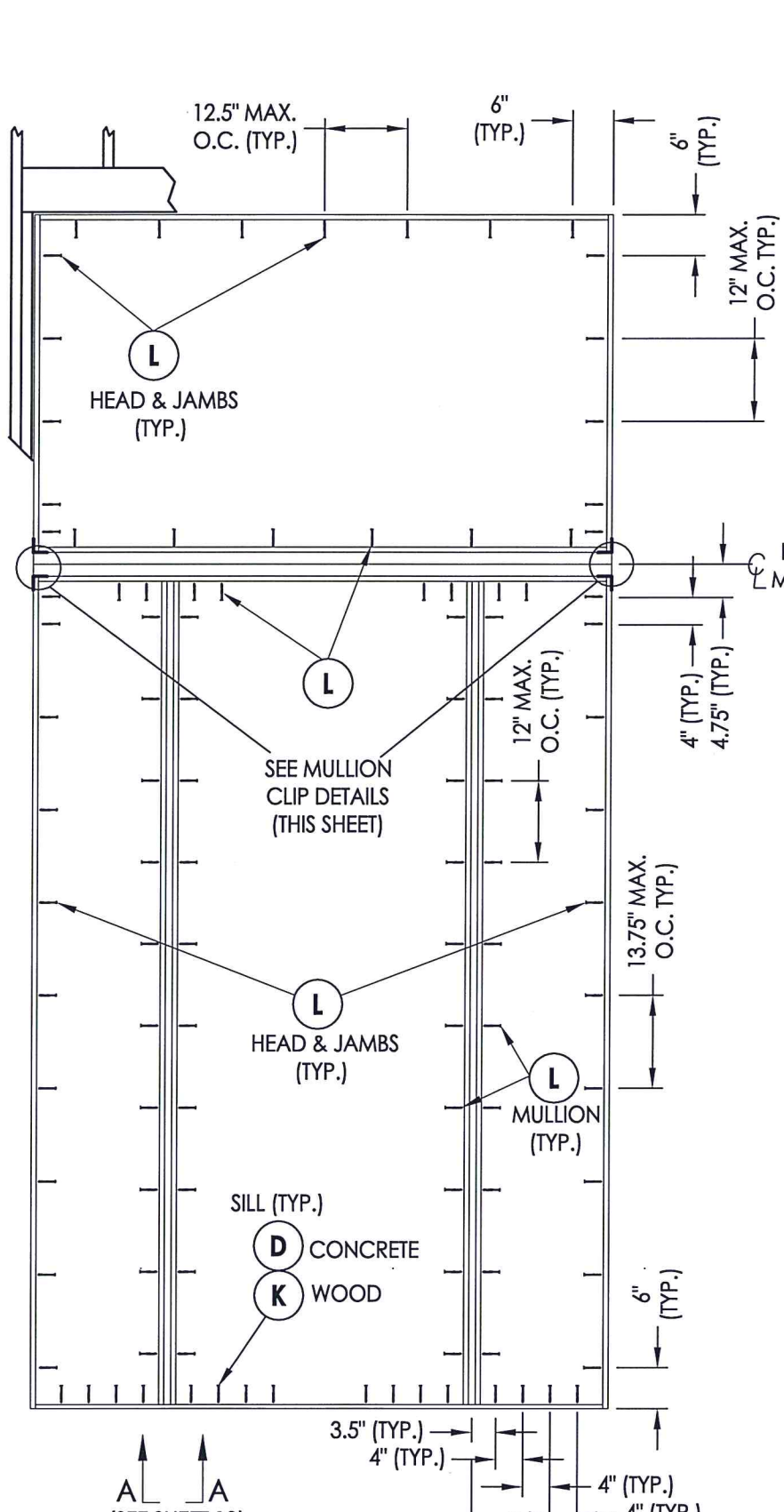
R:\Clients\Rogue Valley Doors PERMANENT\B - Texas Dept of Ins\TDI - DR-XXX (Sub ID 6970)\C - Drawings\TX-4712-13.dwg, 9.2



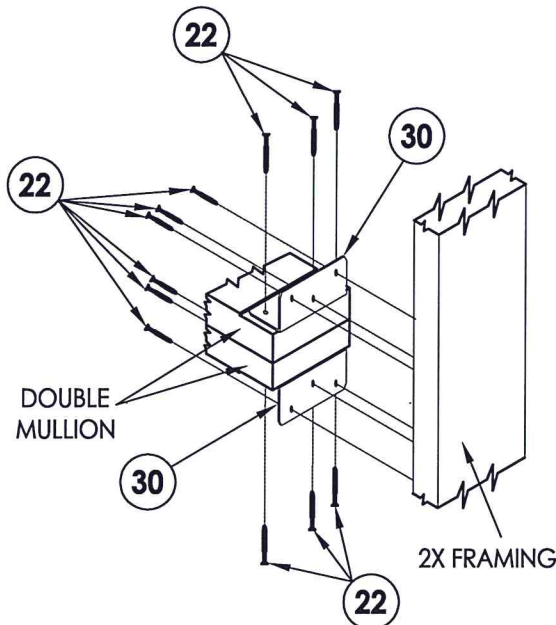
**FRAME ANCHORING**  
O/X



**FRAME ANCHORING**  
O/OX Shown (O/XO - Similar)



**FRAME ANCHORING**  
O/OXO



**DOUBLE MULLION CLIP DETAIL**

NOTE:  
1. ALL FRAME CORNERS SECURED WITH (3) #8 X 2-1/2" FH DEEP  
THREAD WOOD SCREWS.



Documents Prepared By: Lyndon F. Schmidt, P.E.  
TEXAS P.E. #104123

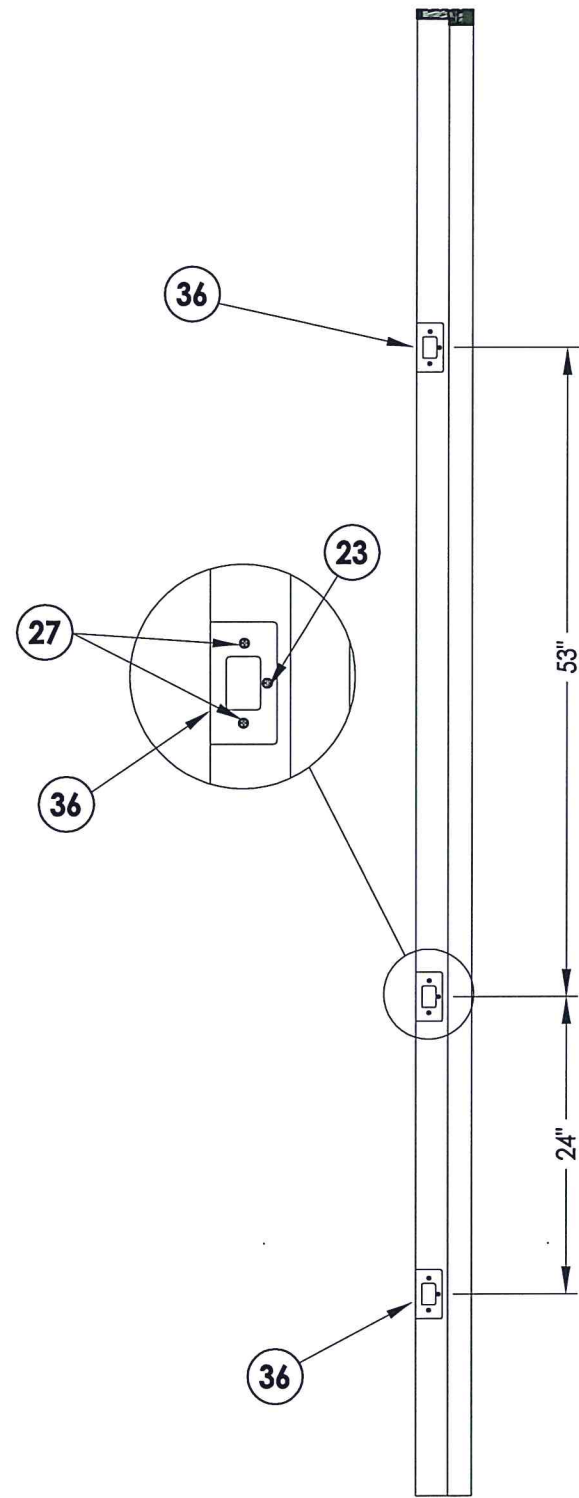
**RW** BUILDING CONSULTANTS, INC.  
P.O. Box 230 Volrico FL 33595  
Phone No.: 813.659.9197  
TEXAS BOARD OF PROFESSIONAL ENGINEERS  
CERTIFICATE OF REGISTRATION # F-11852

PRODUCT: ROGUE VALLEY WOOD DOOR  
PART OR ASSEMBLY: FRAME ANCHORING

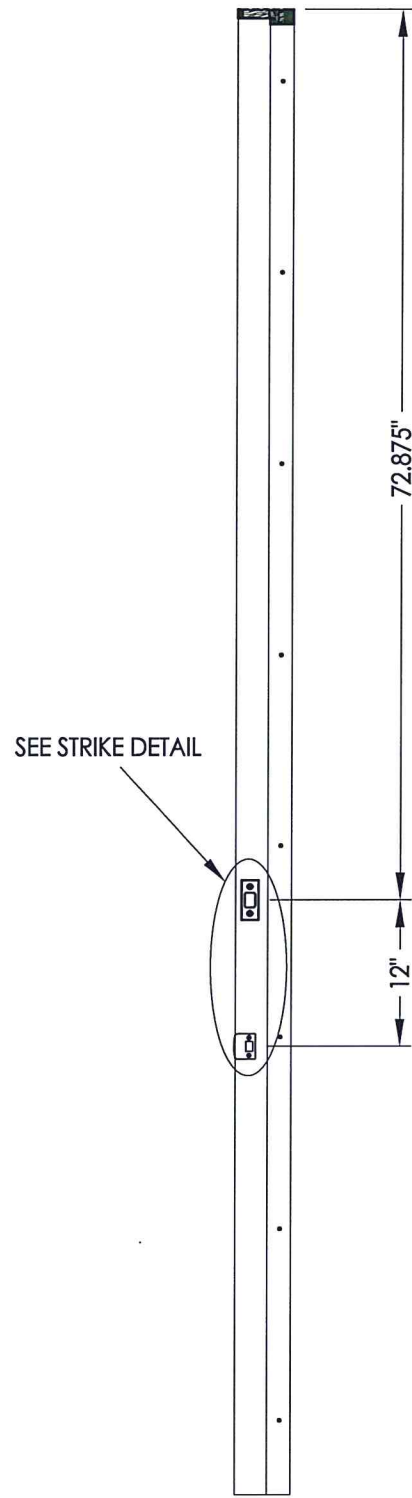
NO.	DATE	BY

DATE: 7/31/17  
SCALE: N.T.S.  
DWG. BY: JK  
CHK. BY: LFS  
DRAWING NO.: TX-4713  
SHEET 9 OF 11

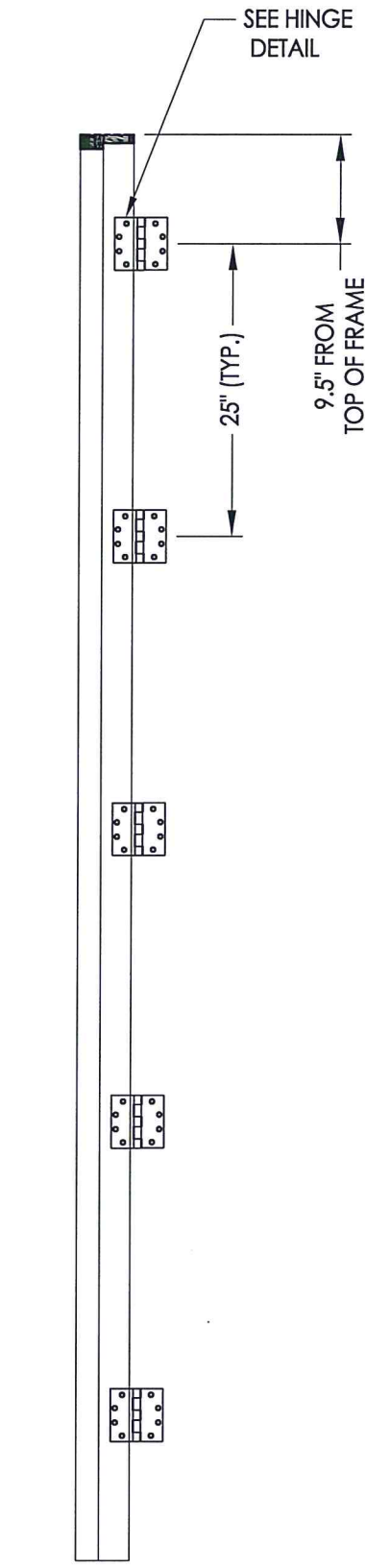
© 2017 R.W. BUILDING CONSULTANTS INC.



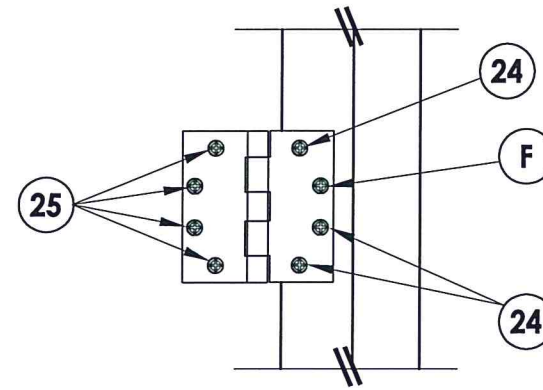
**STRIKE JAMB**  
MULTIPOINT LOCK



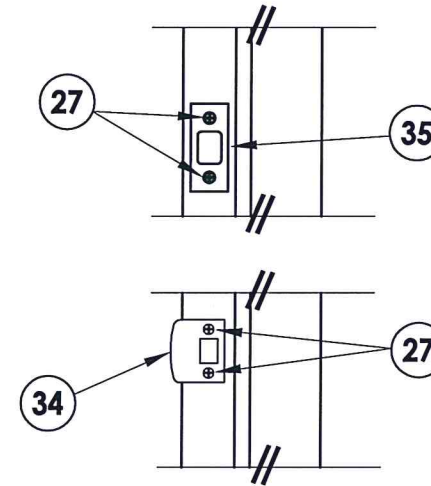
**STRIKE JAMB**  
LATCH & DEADBOLT



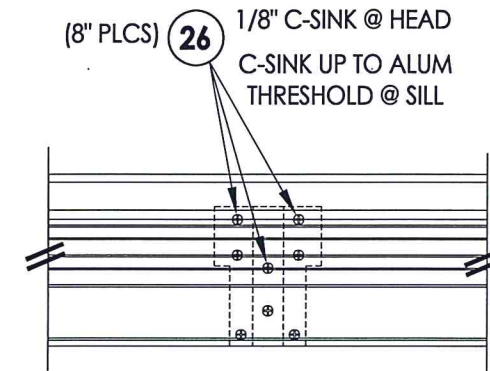
**HINGE JAMB**



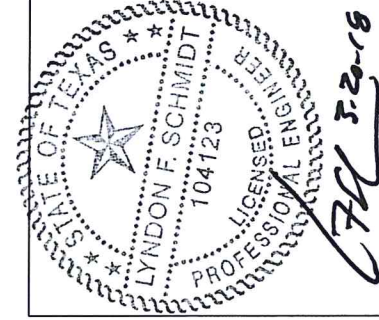
**HINGE DETAIL**



**STRIKE DETAIL**



**SECTION A-A**  
TYP. @ HEAD & SILL



Documents Prepared By: Lyndon F. Schmidt, P.E.  
TEXAS P.E. #104123

**RW** BUILDING CONSULTANTS, INC.  
P.O. Box 230 Valrico FL 33595  
Phone No.: 813.659.9197

TEXAS BOARD OF PROFESSIONAL ENGINEERS  
CERTIFICATE OF REGISTRATION # F-11852

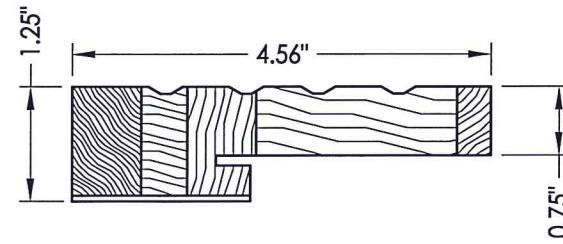
PRODUCT: ROGUE VALLEY WOOD DOOR  
PART OR ASSEMBLY: HARDWARE DETAILS

NO.	DATE	REVISIONS	BY

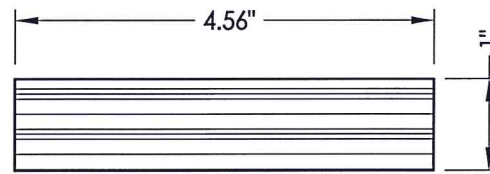
DATE: 7/31/17  
SCALE: N.T.S.  
DWG. BY: JK  
CHK. BY: LFS  
DRAWING NO.: TX-4713  
SHEET 10 OF 11

BILL OF MATERIALS		
ITEM #	DESCRIPTION	MATERIAL
A	2X FRAMING (G >= 0.42)	WOOD
C	1/4" MAX. SHIM SPACE	-
D	1/4" PFH IELCO OR ITW CONCRETE SCREW (1-3/4" MIN. EMB.)	STEEL
F	#12 X 2-1/2" PFH WOOD SCREW	STEEL
K	#10 PFH WOOD SCREW (1-3/4" MIN. EMB.)	STEEL
L	#10 X 2-1/2" PFH WOOD SCREW (1.15" MIN. EMBEDMENT)	STEEL
1	JAMB	WOOD
2	MULLION	LVL
3	MULLION	LVL
7	WEATHERSTRIP	FOAM
8	SWEEP	VINYL
14	OUTSWING THRESHOLD	ALUM/COMP
15	INSWING THRESHOLD	ALUM/COMP
16	ADA THRESHOLD	ALUM
22	#10 X 1-1/2" PFH WOOD SCREW	STEEL
23	#8 X 3/4" PFH WOOD SCREW	STEEL
24	#12 x 1" PFH WOOD SCREW	STEEL
25	#12 x 1-1/4" PFH WOOD SCREW	STEEL
26	#8 x 2-1/2" FH DEEP THREAD WOOD SCREW	STEEL
27	#9 x 2-1/2" PFH WOOD SCREW	STEEL
29	4.5" X 4.5" HINGE	STEEL
30	MULLION ANGLE CLIP (USP ML24-TZ)	STEEL
34	LATCH STRIKE PLATE	STEEL
35	DEADBOLT STRIKE PLATE	STEEL
36	MULTIPOINT STRIKE PLATE	STEEL
38	SIDELITE SPACER (INSWING)	PVC
39	SIDELITE SPACER (OUTSWING)	PVC
40	DOOR PANEL	-
50	SIDELITE PANEL	-
60	SIDELITE PANEL	-
70	TRANSOM PANEL	-

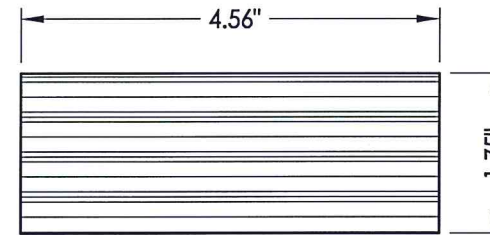
WOOD FRAME COMPONENTS: POPLAR (G = 0.42)



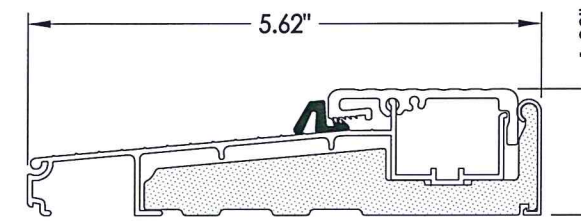
1 WOOD JAMB



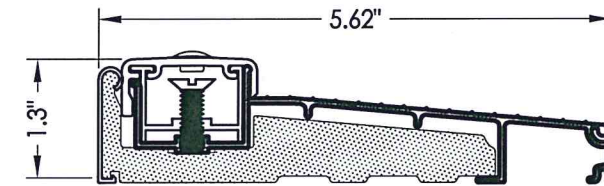
3 MULLION  
VERSA-LAM® 1800 Fb-1.40E



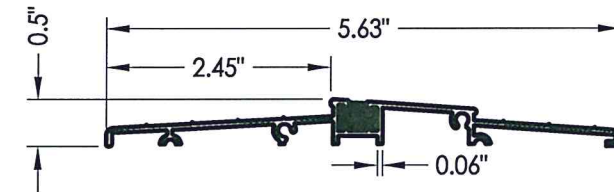
2 MULLION  
VERSA-LAM® 2400 Fb-1.7E



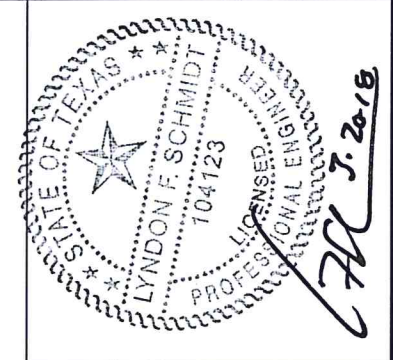
14 OUTSWING THRESHOLD  
COLUMBIA



15 INSWING THRESHOLD  
COLUMBIA



16 ADA THRESHOLD  
ENDURA



Documents Prepared By: Lyndon F. Schmidt, P.E.  
TEXAS P.E. #104123

RW BUILDING CONSULTANTS, INC.  
P.O. Box 230 Vairico FL 33595  
Phone No.: 813.659.9197

TEXAS BOARD OF PROFESSIONAL ENGINEERS  
CERTIFICATE OF REGISTRATION # F-11852

PRODUCT: ROGUE VALLEY WOOD DOOR

PART OR ASSEMBLY: BILL OF MATERIALS & COMPONENTS

NO.	DATE	BY	REVISIONS

DATE: 7/31/17  
SCALE: N.T.S.  
DWG. BY: JK  
CHK. BY: LFS  
DRAWING NO.: TX-4713  
SHEET 11 OF 11

**CONCRETE ANCHOR NOTES:**

- Concrete anchor locations at the corners may be adjusted to maintain the min. edge distance to mortar joints.
- Concrete anchor locations noted as "MAX. ON CENTER" must be adjusted to maintain the min. edge distance to mortar joints, additional concrete anchors may be required to ensure the "MAX. ON CENTER" dimension are not exceeded.
- Concrete anchor table:

ANCHOR TYPE	ANCHOR SIZE	MIN. EMBEDMENT	MIN. CLEARANCE TO MASONRY EDGE	MIN. CLEARANCE TO ADJACENT ANCHOR
ITW TAPCON®	1/4"	1-1/4"	2"	4"
ELCO ULTRACON®	1/4"	1-1/4"	1"	4"

**WOOD SCREW INSTALLATION NOTES:**

- Maintain a minimum 5/8" edge distance, 1" end distance, & 1" o.c. spacing of wood screws to prevent the splitting of wood.