



123 NE Beacon Dr.
Grants Pass, OR 97526

"Impact-Rated Door"

WOOD GLAZED OR OPAQUE SINGLE DOOR

w/ or w/out SIDELITE(S)

INSWING/OUTSWING

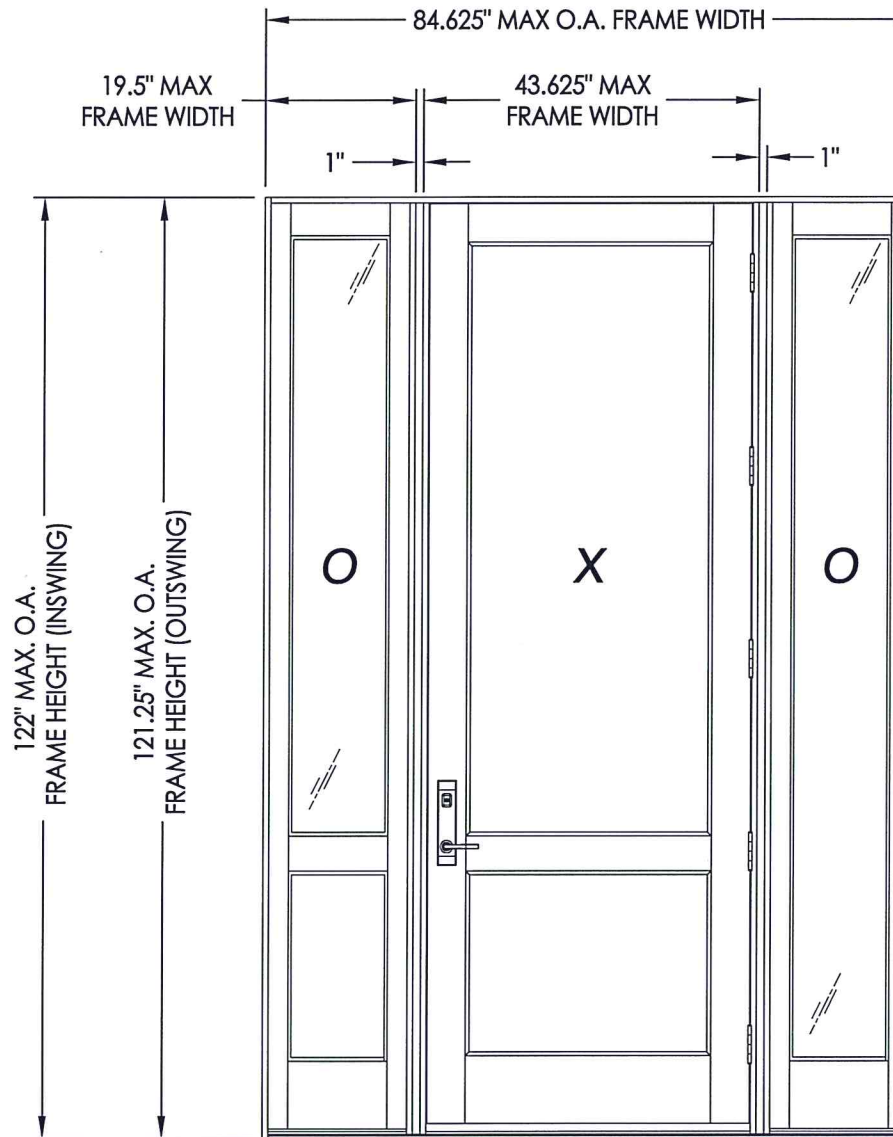
EVALUATED FOR USE IN THE STATE OF TEXAS

The Wood Door system described herein complies with the 2006 International Residential Code (IRC), Sections R301 & R613 and the 2006 International Building Code (IBC), Sections 1405.12, 1609, 1714.5, 2403 and 2404 (including Texas revisions) subject to the following conditions:

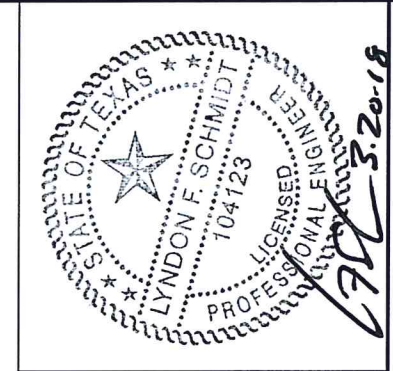
1. Anchors shall be as listed and spaced as shown in the details. Anchor embedment to base material shall be beyond wall dressing or stucco.
2. This product has been tested and evaluated as a large missile impact protective system for installation in the Seaward, Inland I and Inland II areas. The door & sidelites meet missile level "D" as defined in ASTM E 1996.
3. Allowable design pressure requirements must be equal to or less than the design pressure rating shown in the design pressure chart, sheet 1 of this drawing.
4. Conditions not covered by this drawing are subject to further engineering analysis.

TABLE OF CONTENTS

SHEET #	DESCRIPTION
1	Typical Elevations, Design Pressures & General Notes
2	Door Panel Details
3	Sidelite Details
4	Elevations
5	Horizontal & Vertical Cross Sections
6	Horizontal Cross Sections
7	Vertical Cross Sections
8	Frame Anchoring
9	Hardware Details
10	Bill of Materials & Components



CONFIGURATION	DESIGN PRESSURE (PSF) INSWING		DESIGN PRESSURE (PSF) OUTSWING	
	POSITIVE	NEGATIVE	POSITIVE	NEGATIVE
X, OX, XO, OXO	+65.0	-70.0	+65.0	-65.0



Documents Prepared By: Lyndon F. Schmidt, P.E.
TEXAS P.E. #104123

RW BUILDING CONSULTANTS, INC.
P.O. Box 230 Valrico FL 33595
Phone No.: 813.659.9197

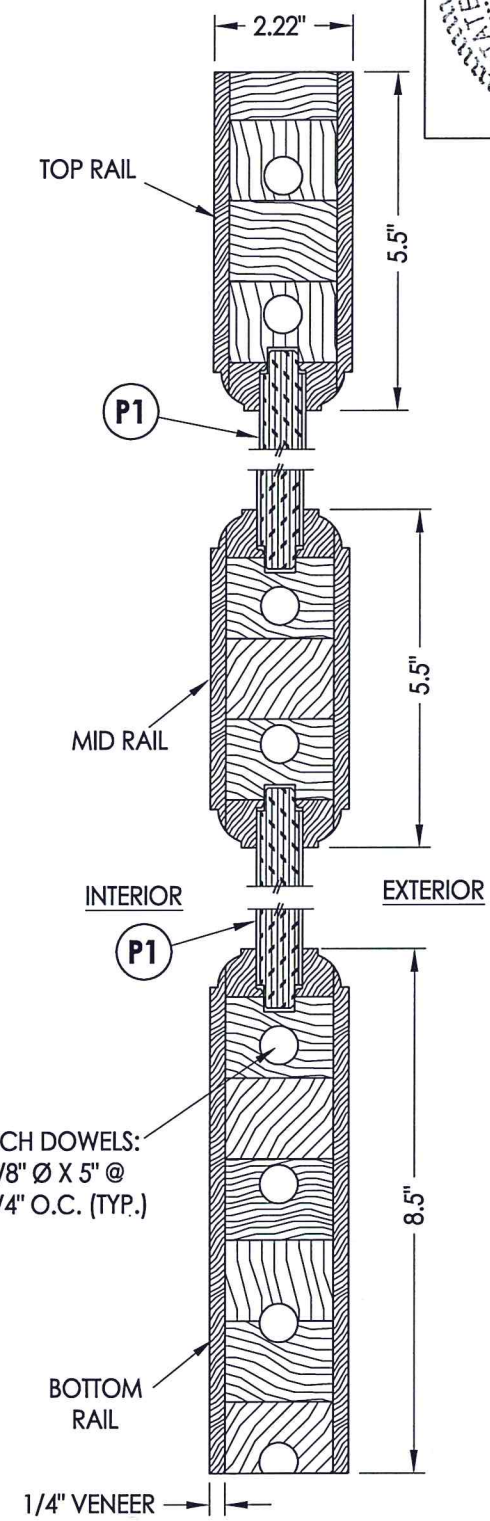
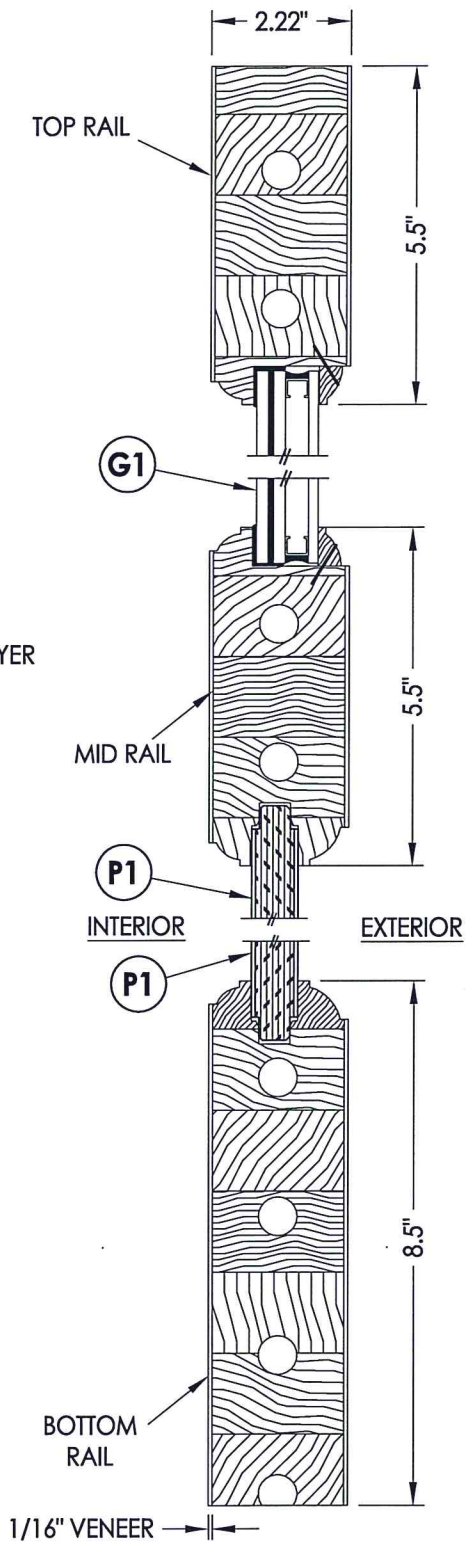
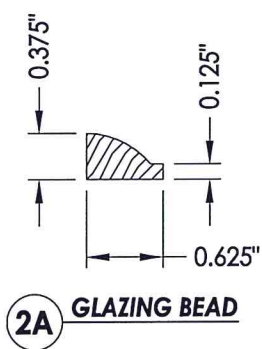
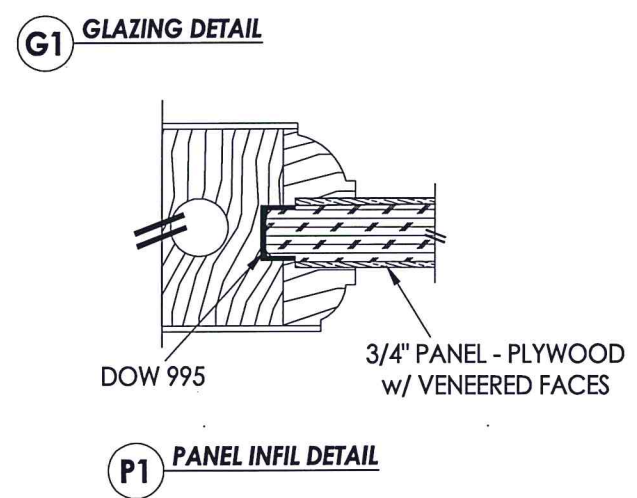
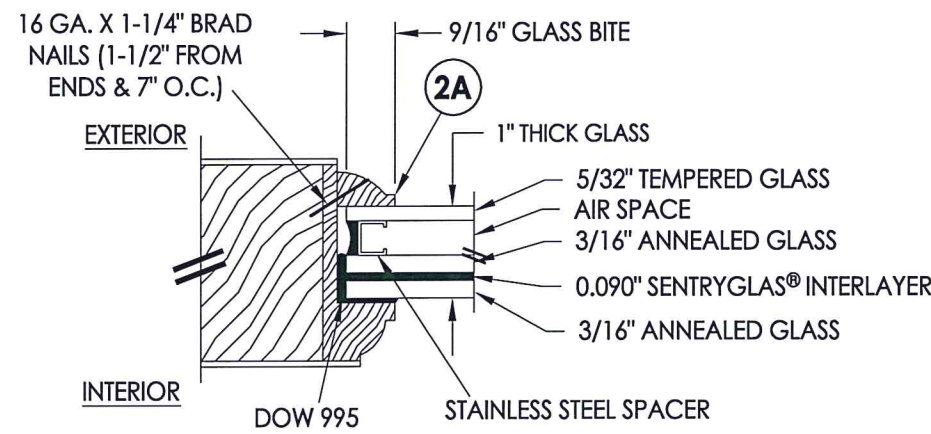
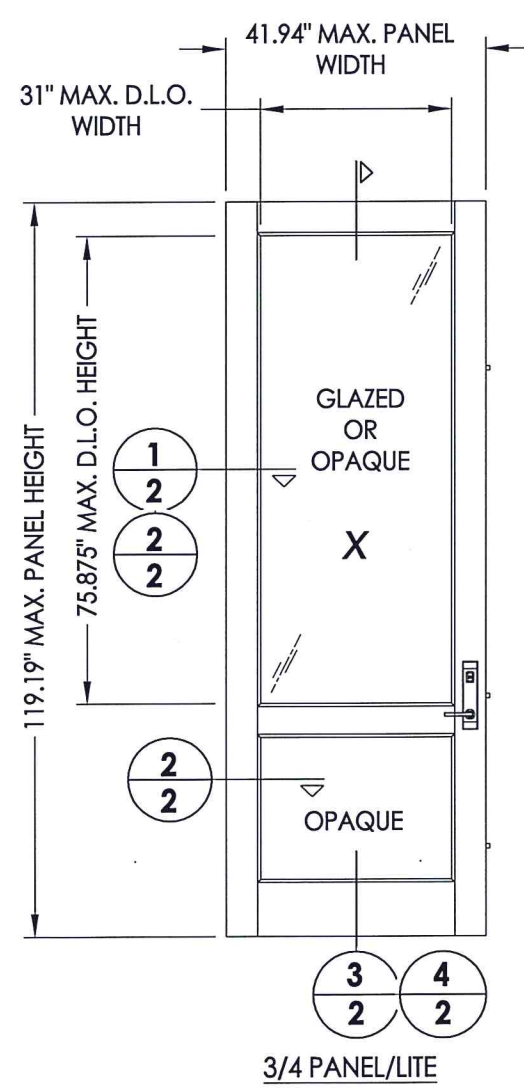
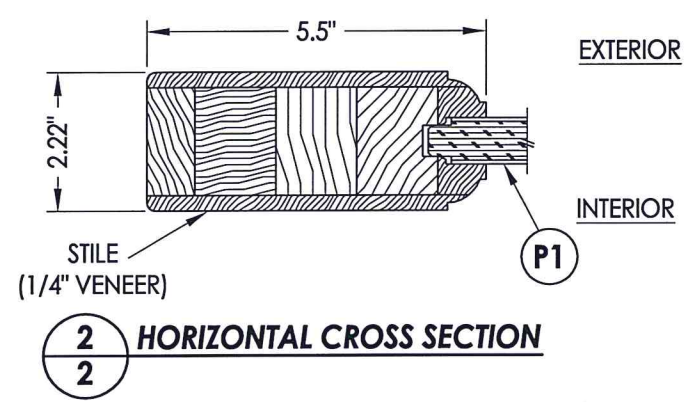
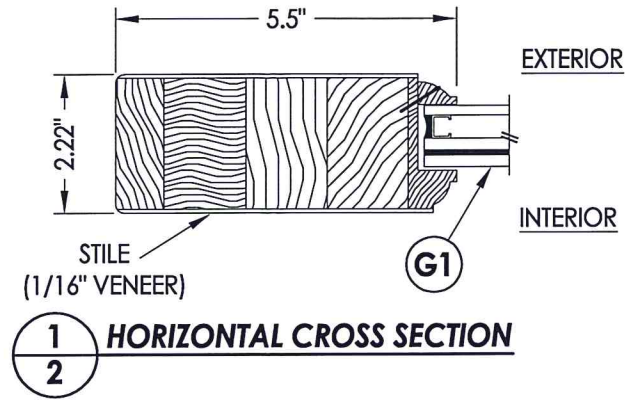
TEXAS BOARD OF PROFESSIONAL ENGINEERS
CERTIFICATE OF REGISTRATION # F-11852

PRODUCT: ROGUE VALLEY WOOD DOOR
PART OR ASSEMBLY: TYPICAL ELEVATION, DESIGN PRESSURES & GENERAL NOTES

NO.	DATE	BY	REVISIONS

DATE: 7/31/17
SCALE: N.T.S.
DWG. BY: JK
CHK. BY: LFS
DRAWING NO.: TX-4712
SHEET 1 of 10

R:\Clients\Rogue Valley Doors PERMANENT\B - Texas Dept of Ins\TDI - DR-XXX (Sub ID 6970)\C - Drawings\TX-4712-13.dwg, 2.1



Documents Prepared By: Lyndon F. Schmidt, P.E.
TEXAS P.E. #104123

RW BUILDING CONSULTANTS, INC.
P.O. Box 230 Valrico FL, 33595
Phone No.: 813.659.9197

TEXAS BOARD OF PROFESSIONAL ENGINEERS
CERTIFICATE OF REGISTRATION # F-11852

PRODUCT: ROGUE VALLEY WOOD DOOR

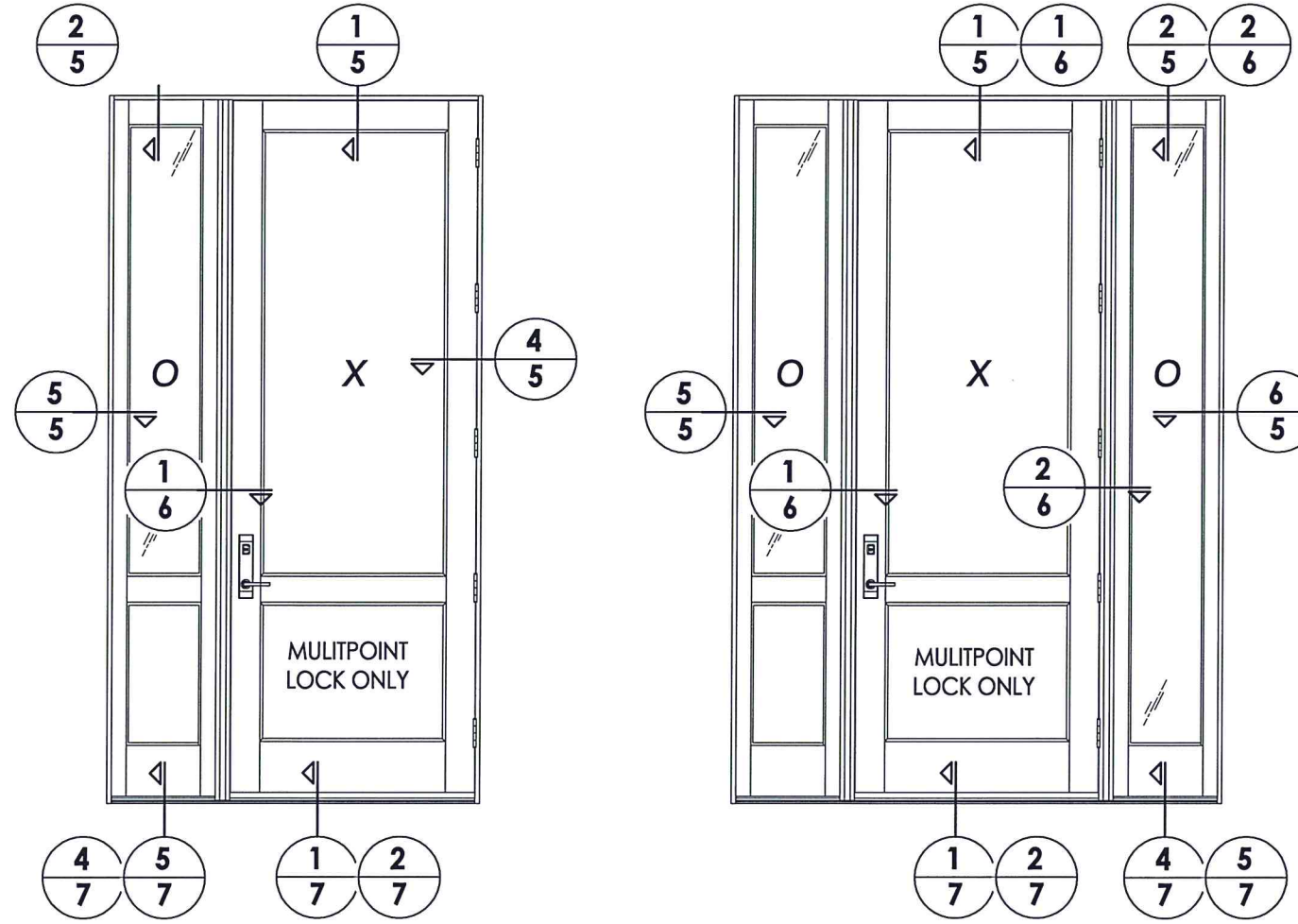
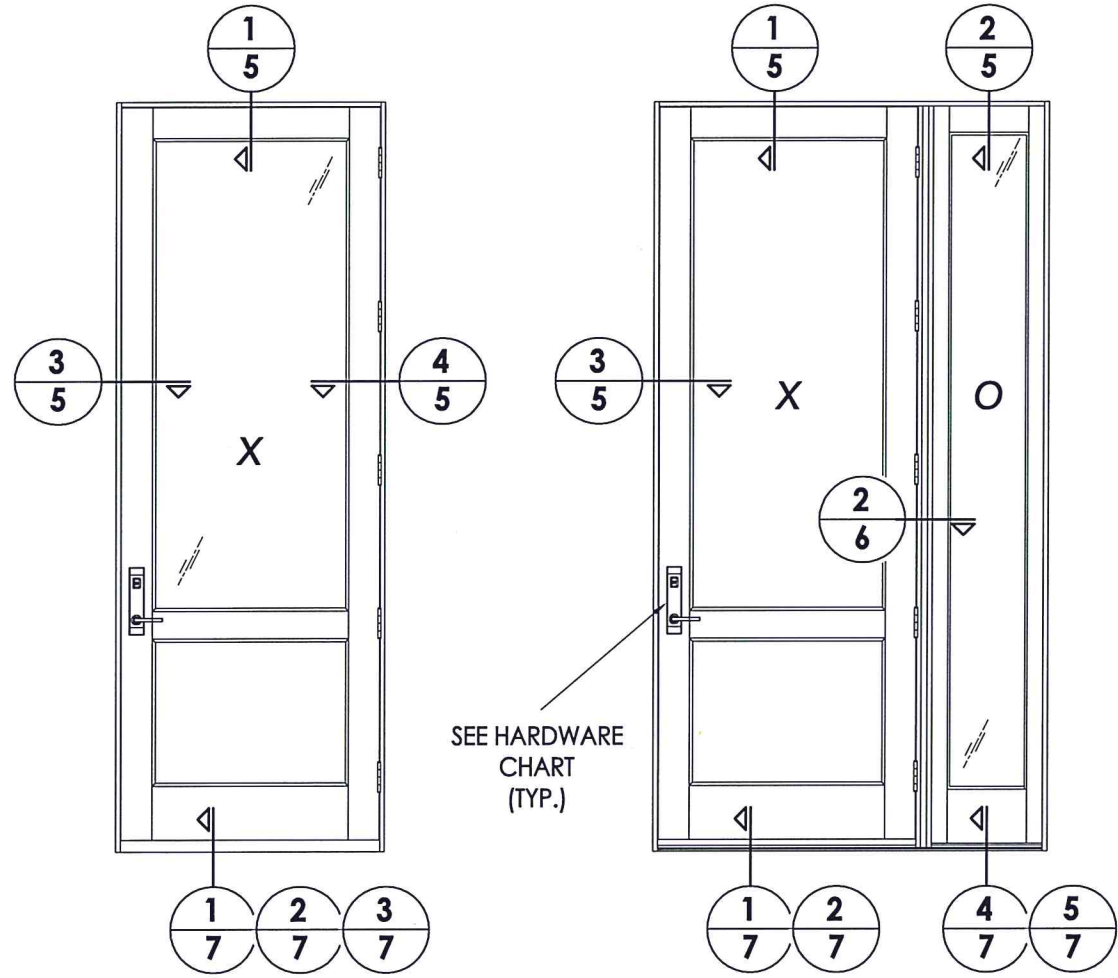
PART OR ASSEMBLY: DOOR PANEL DETAILS

NO.	DATE	BY	REVISIONS

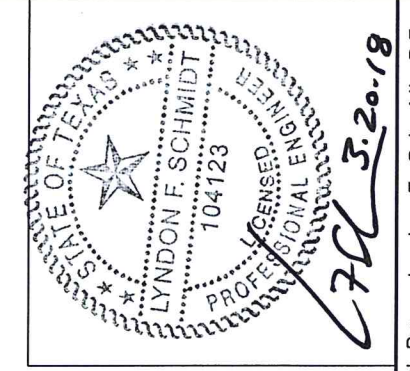
DATE: 7/31/17
SCALE: N.T.S.
DWG. BY: JK
CHK. BY: LFS
DRAWING NO.: TX-4712
SHEET 2 OF 10

WOOD DOOR COMPONENTS:
VENEER/EDGES: DOUGLAS FIR (G = 0.51)
ENGINEERED STAVE CORE: POPLAR (G = 0.42)

© 2017 R.W. BUILDING CONSULTANTS INC.



HARDWARE TABLE			
MANUFACTURER	MODEL	MAX. DESIGN PRESSURE (PSF)	
		INSWING	OUTSWING
SCHLAGE	KNOB: F51 DEADBOLT: B60N	+55/-70	+60/-60
ENDURA	TRILENNIUM 3000 MULTIPOINT LOCK (3-PT.)	+65/-70	+65/-65



Documents Prepared By: Lyndon F. Schmidt, P.E.
TEXAS P.E. #104123

R.W. BUILDING CONSULTANTS, INC.
P.O. Box 230 Valrico FL, 33595
Phone No.: 813.659.9197

TEXAS BOARD OF PROFESSIONAL ENGINEERS
CERTIFICATE OF REGISTRATION # F-11852

PRODUCT: ROGUE VALLEY WOOD DOOR

PART OR ASSEMBLY: ELEVATIONS

REVISIONS	
NO.	DATE

DATE: 7/31/17

SCALE: N.T.S.

DWG. BY: JK

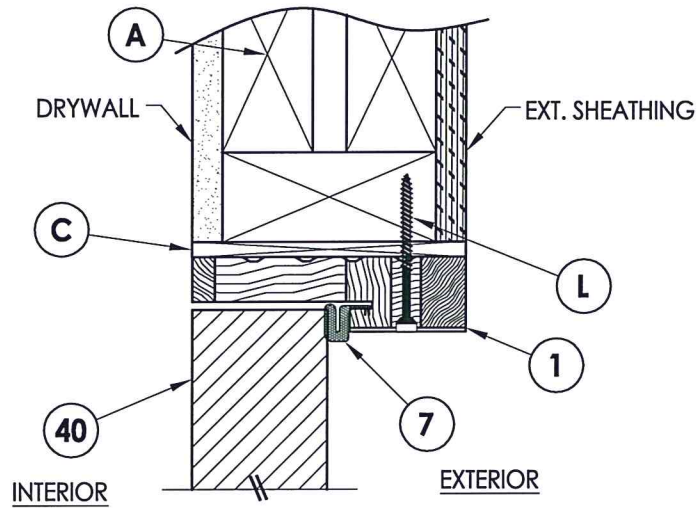
CHK. BY: LFS

DRAWING NO.: TX-4712

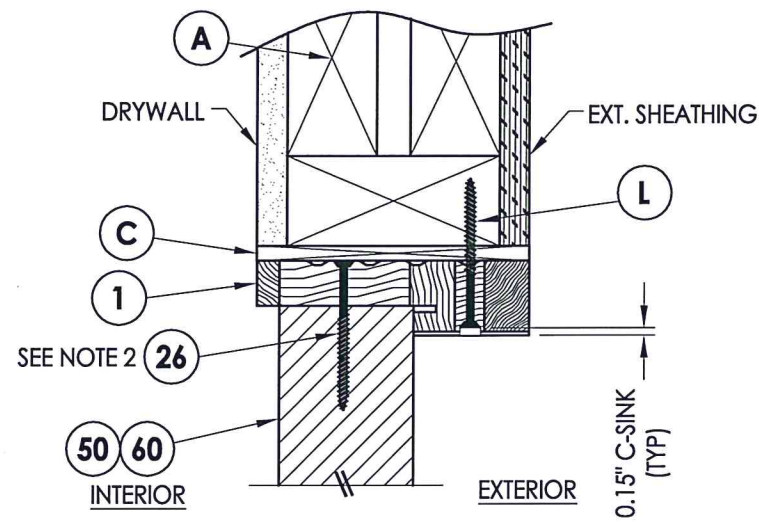
SHEET 4 OF 10

NOTES:

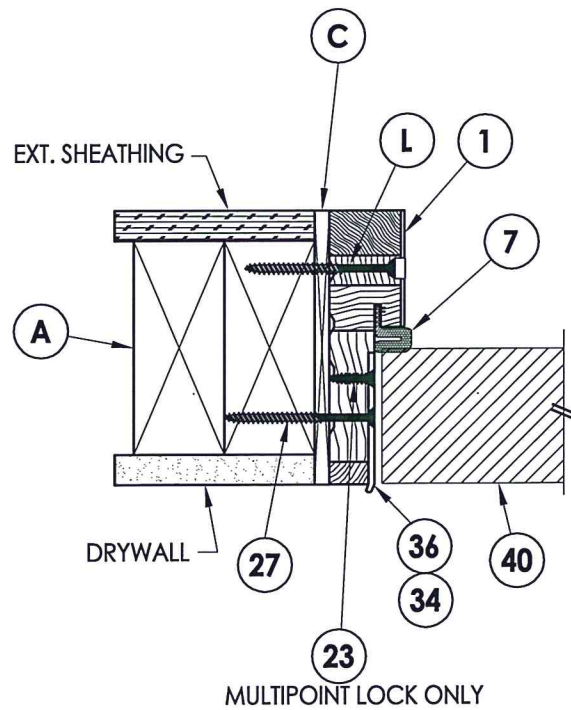
- Item #26 located 6" from each end & 8 more equally spaced (10 total).
- Item #26 located 6" from each end (2 total).



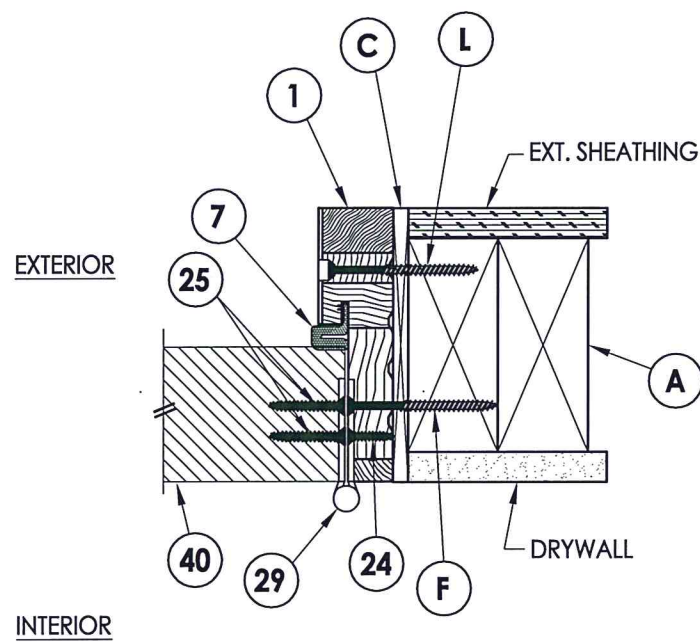
1 VERTICAL CROSS SECTION
5 Inswing shown (Outswing similar)



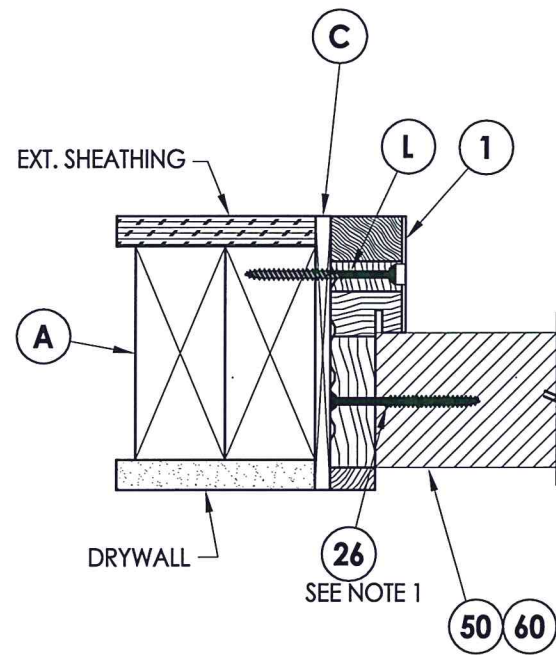
2 VERTICAL CROSS SECTION
5 Inswing shown (Outswing similar)



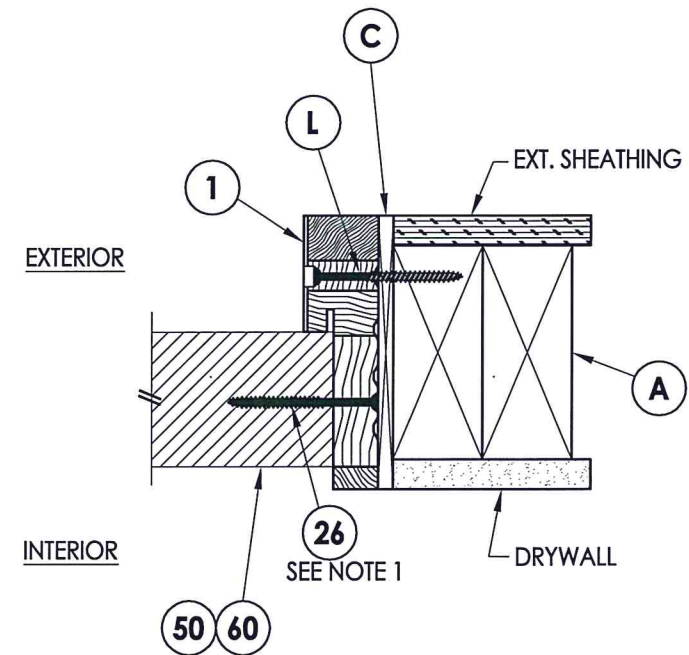
3 HORIZONTAL CROSS SECTION
5 Inswing shown (Outswing similar)



4 HORIZONTAL CROSS SECTION
5 Inswing shown (Outswing similar)



5 HORIZONTAL CROSS SECTION
5 Inswing shown (Outswing similar)



6 HORIZONTAL CROSS SECTION
5 Inswing shown (Outswing similar)



Documents Prepared By: Lyndon F. Schmidt, P.E.
TEXAS P.E. #104123

RW BUILDING CONSULTANTS, INC.
P.O. Box 230 Valrico FL 33595
Phone No.: 813.659.9197
TEXAS BOARD OF PROFESSIONAL ENGINEERS
CERTIFICATE OF REGISTRATION # F-11852

PRODUCT: ROGUE VALLEY WOOD DOOR

PART OR ASSEMBLY: HORIZONTAL & VERTICAL CROSS SECTIONS

NO.	DATE	BY

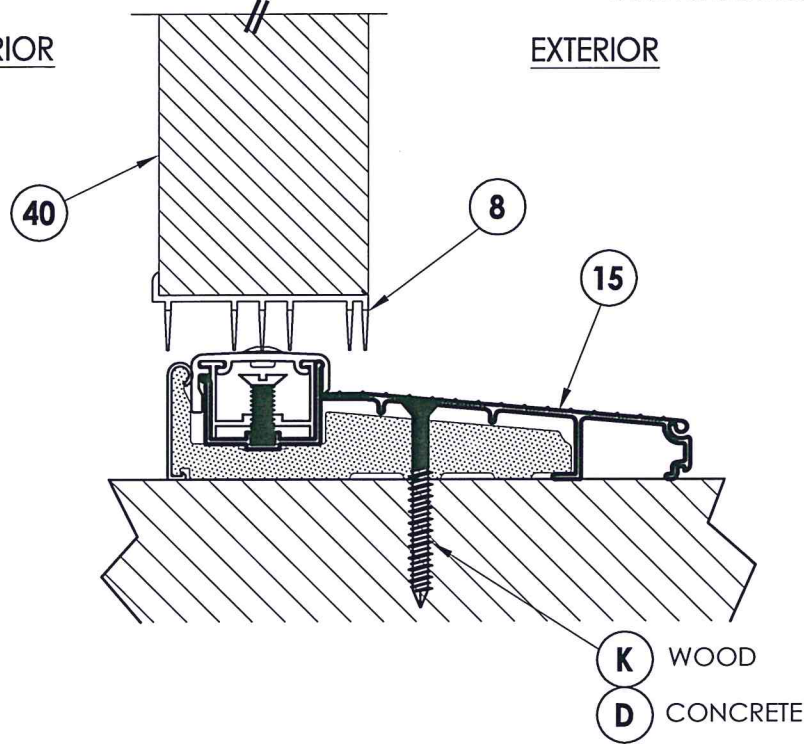
DATE: 7/31/17
SCALE: N.T.S.
DWG. BY: JK
CHK. BY: LFS
DRAWING NO.: TX-4712
SHEET 5 OF 10

R:\Clients\Rogue Valley Doors PERMANENT\B - Texas Dept of Ins\TDI - DR-XXX (Sub ID 6970)\C - Drawings\TX-4712-13.dwg, 7.1

NOTES:
1. Item #26 located 6" from each end (2 total).

INTERIOR

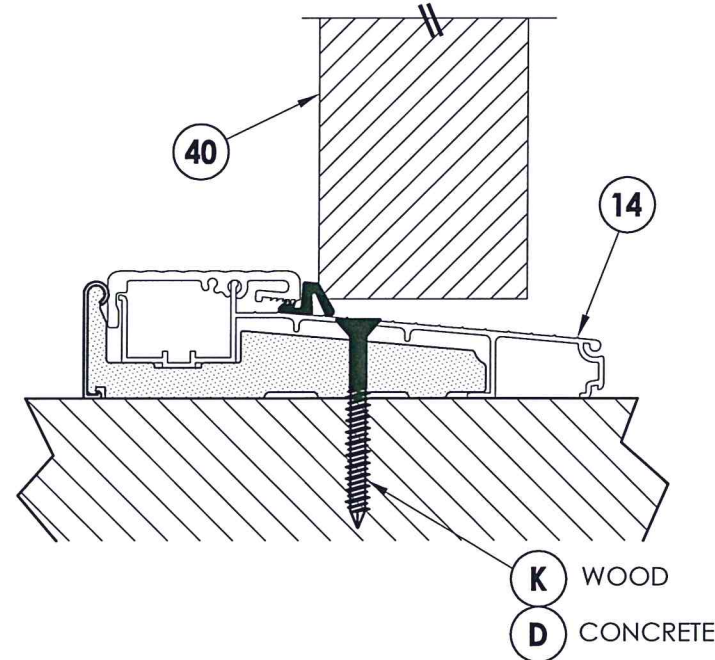
EXTERIOR



1 VERTICAL CROSS SECTION
7 Inswing

INTERIOR

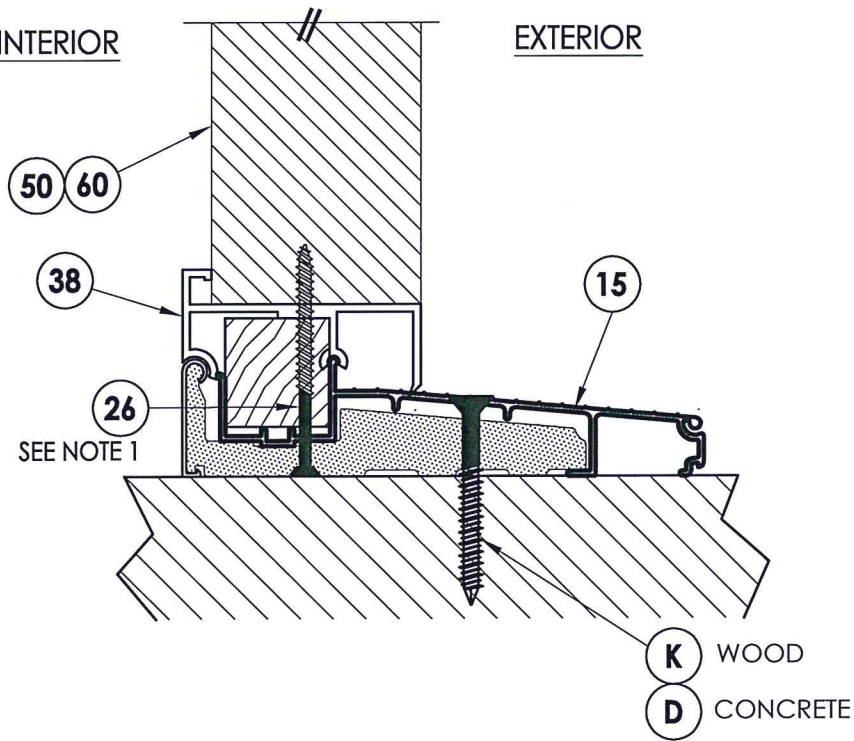
EXTERIOR



2 VERTICAL CROSS SECTION
7 Outswing

INTERIOR

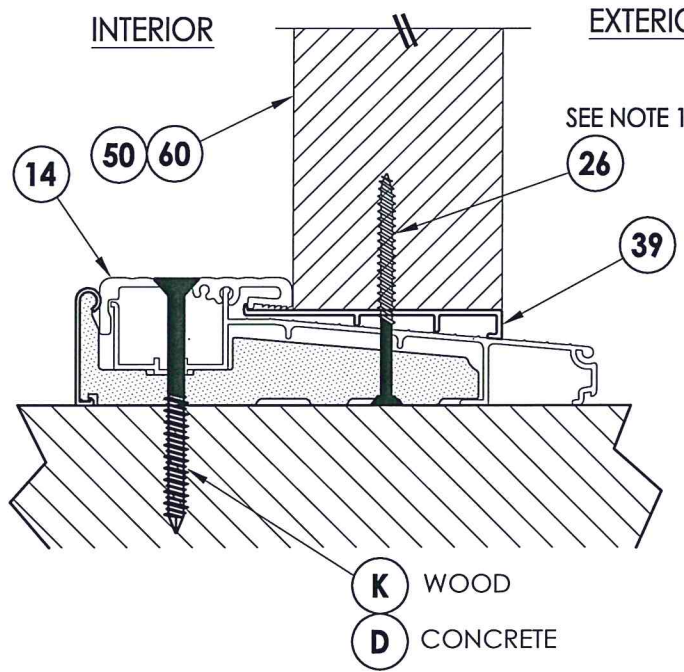
EXTERIOR



4 VERTICAL CROSS SECTION
7 Inswing

INTERIOR

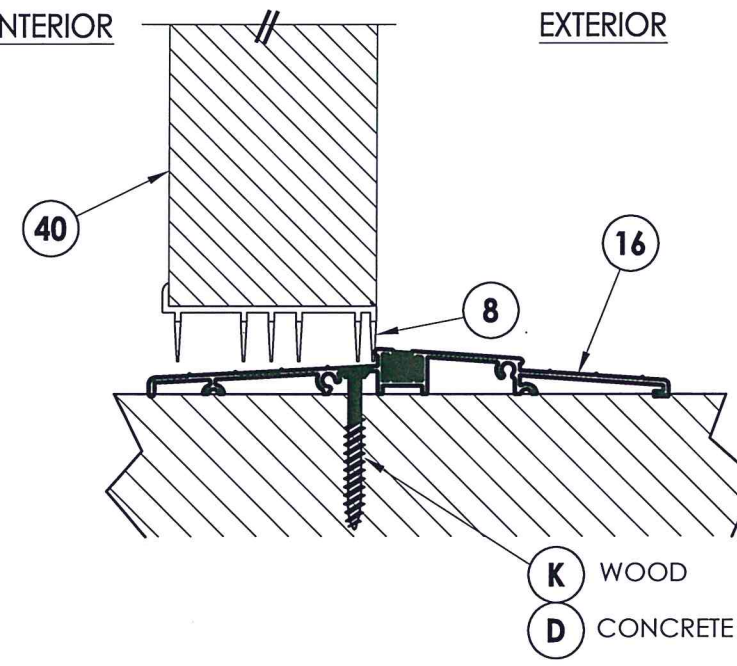
EXTERIOR



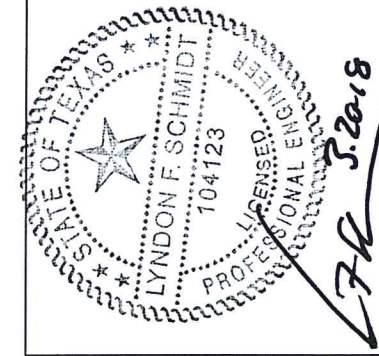
5 VERTICAL CROSS SECTION
7 Outswing

INTERIOR

EXTERIOR



3 VERTICAL CROSS SECTION
7 Inswing shown (Outswing similar)
(Single door only)



Documents Prepared By: Lyndon F. Schmidt, P.E.
TEXAS P.E. #104123

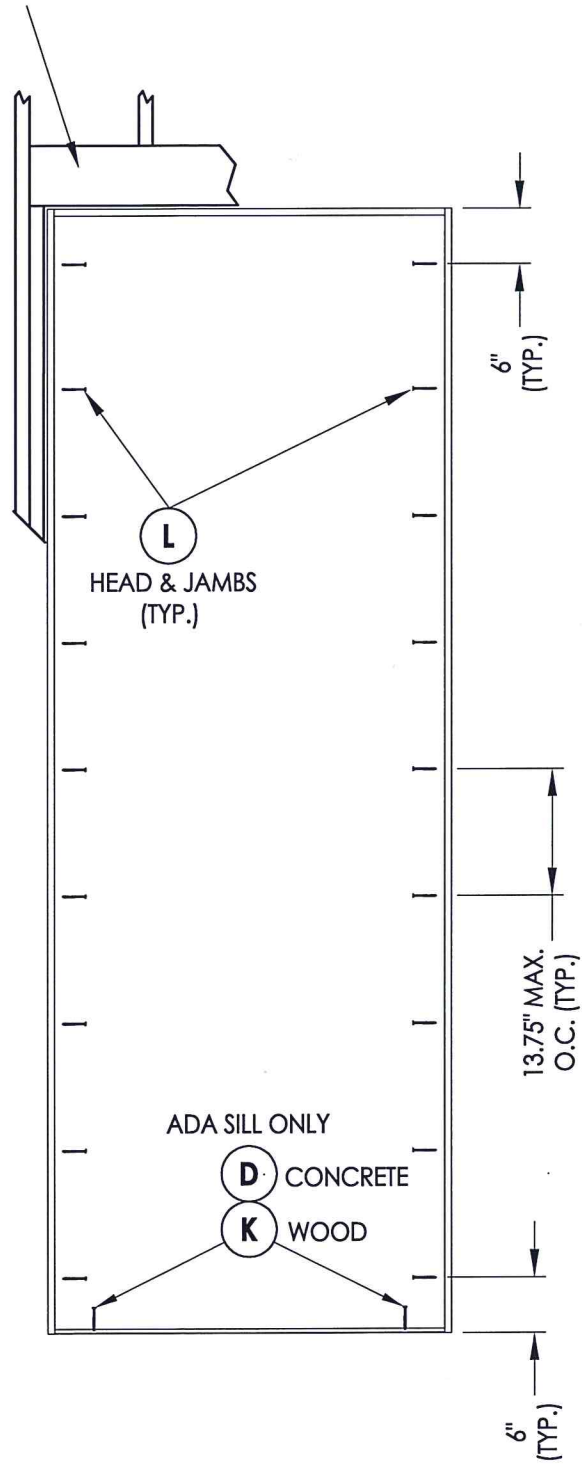
RW BUILDING CONSULTANTS, INC.
P.O. Box 230 Volrico FL, 33595
Phone No.: 813.659.9197
TEXAS BOARD OF PROFESSIONAL ENGINEERS
CERTIFICATE OF REGISTRATION # F-11852

PRODUCT: ROGUE VALLEY WOOD DOOR
PART OR ASSEMBLY: VERTICAL CROSS SECTIONS (THRESHOLD)

NO.	DATE	BY

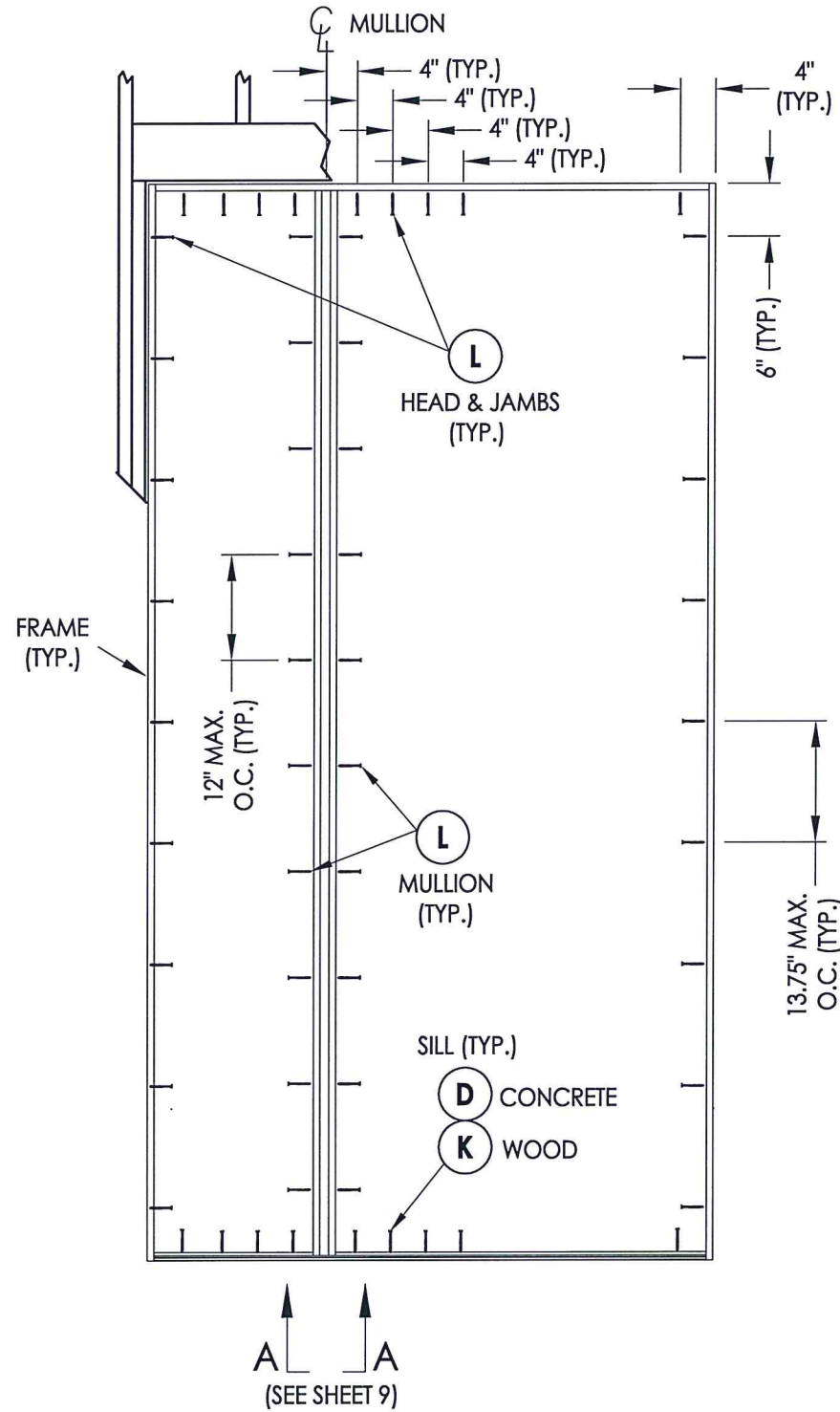
DATE: 7/31/17
SCALE: N.T.S.
DWG. BY: JK
CHK. BY: LFS
DRAWING NO.: TX-4712
SHEET 7 of 10

2X FRAMING TO BE DESIGNED BY THE ENGINEER OR ARCHITECT OF RECORD (TYP.)

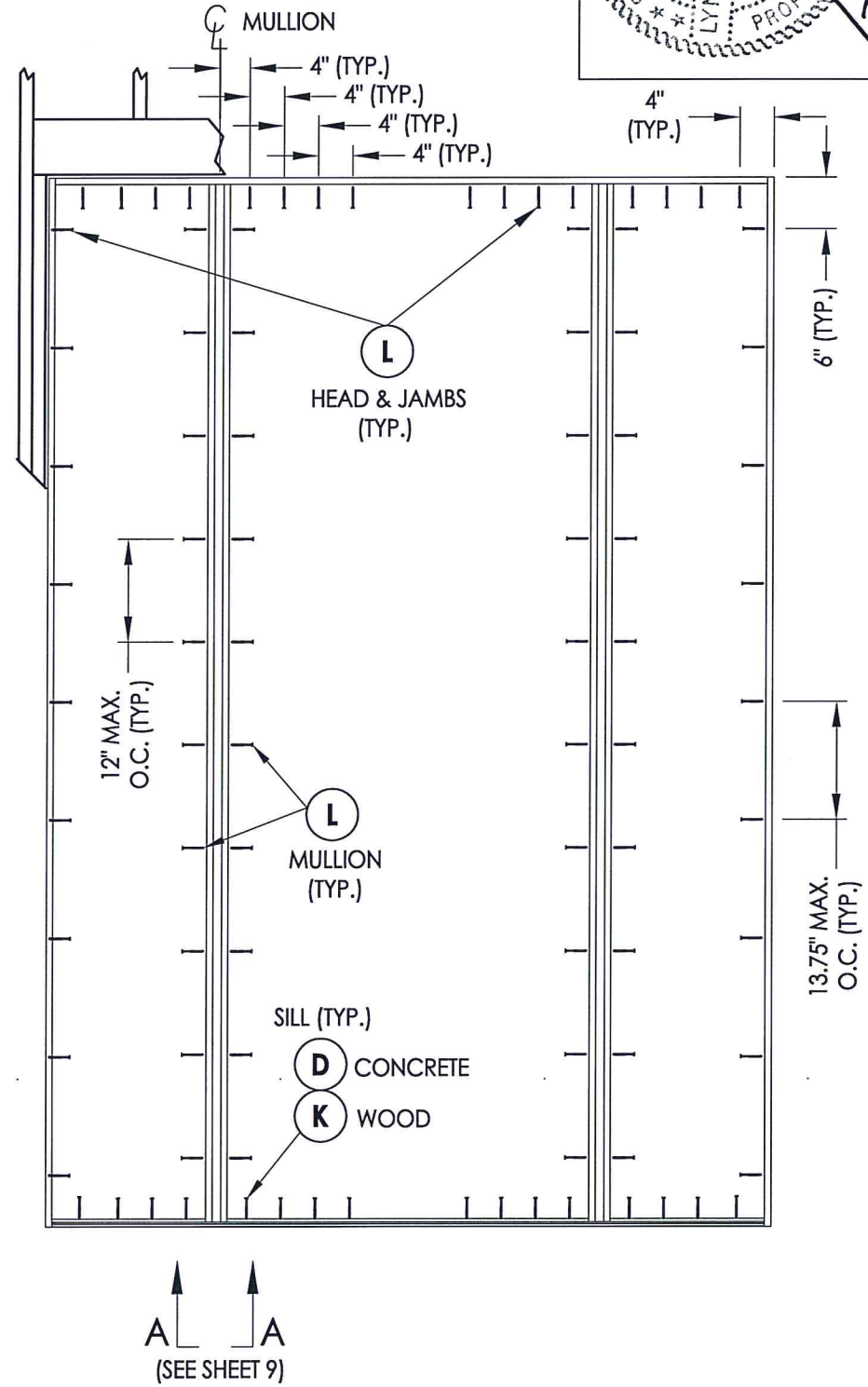


FRAME ANCHORING
X

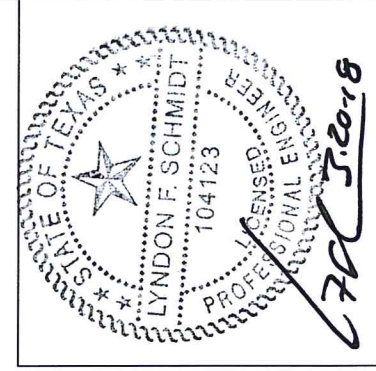
NOTE:
1. ALL FRAME CORNERS SECURED WITH (3) #8 X 2-1/2" FH DEEP THREAD WOOD SCREWS.



FRAME ANCHORING
OX Shown (XO - Similar)



FRAME ANCHORING
OXO



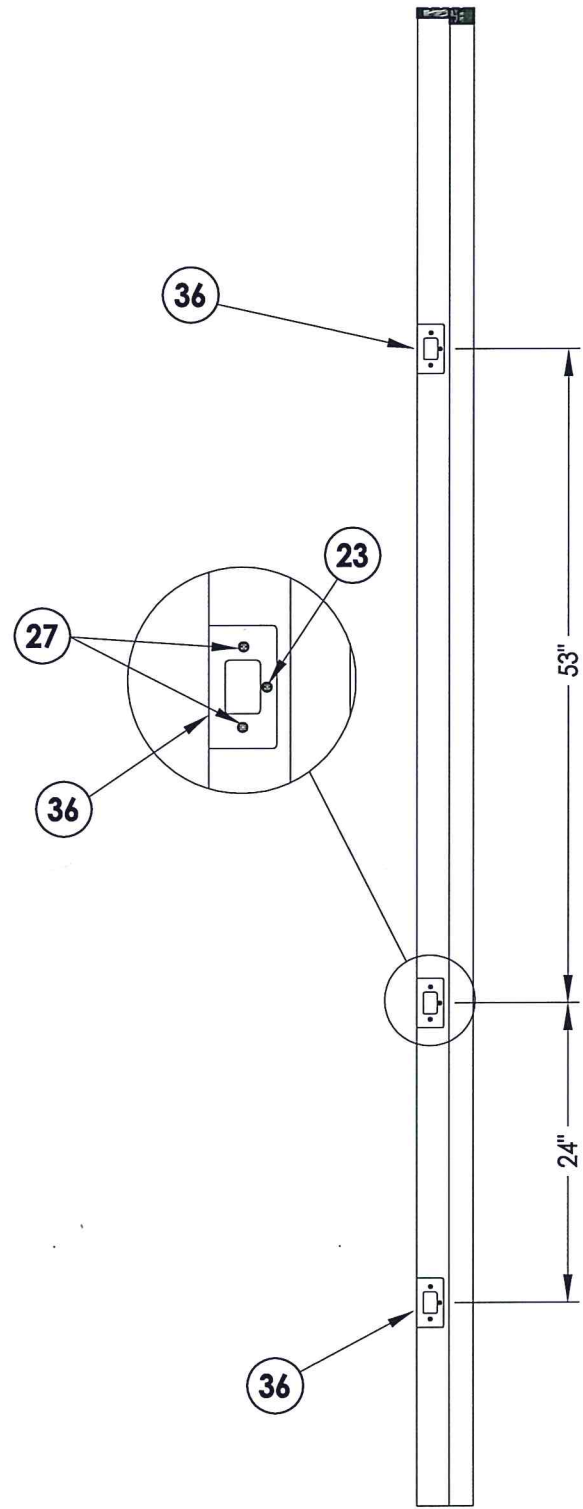
Documents Prepared By: Lyndon F. Schmidt, P.E.
TEXAS P.E. #104123

RW BUILDING CONSULTANTS, INC.
P.O. Box 230 Valrico FL, 33595
Phone No.: 813.659.9197
TEXAS BOARD OF PROFESSIONAL ENGINEERS
CERTIFICATE OF REGISTRATION # F-11852

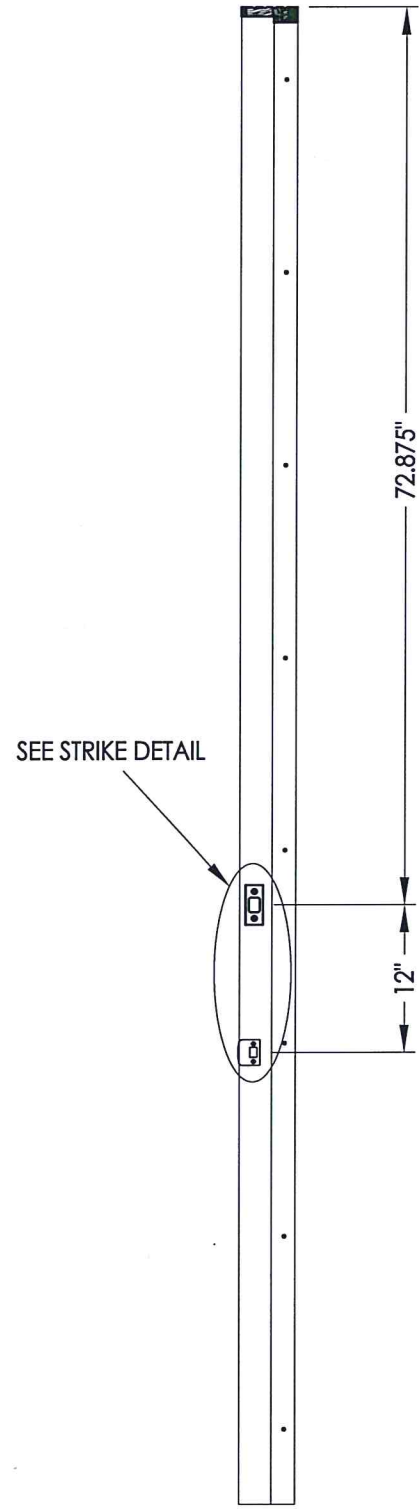
PRODUCT: ROGUE VALLEY WOOD DOOR
PART OR ASSEMBLY: FRAME ANCHORING

NO.	DATE	BY

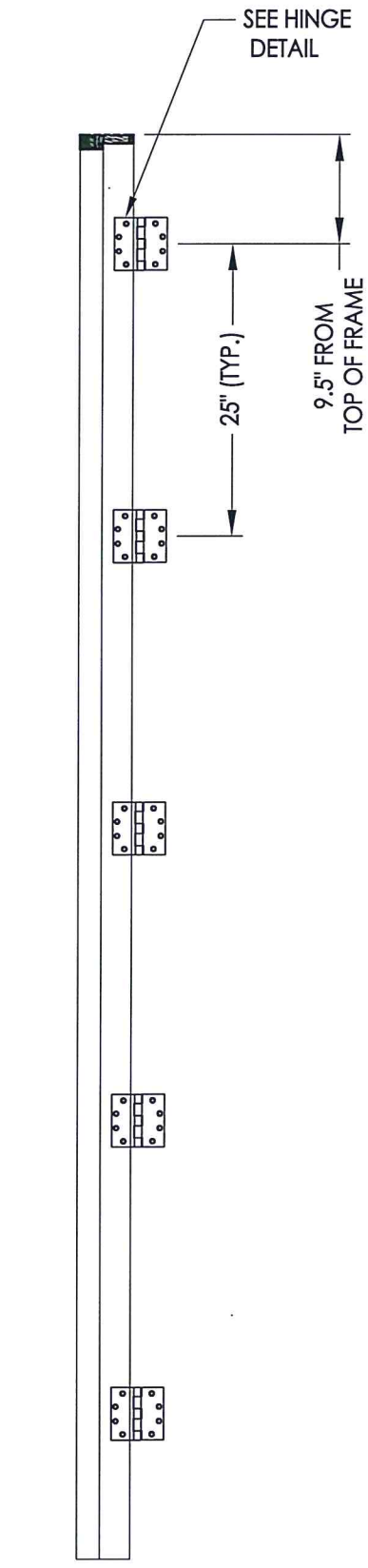
DATE: 7/31/17
SCALE: N.T.S.
DWG. BY: JK
CHK. BY: LFS
DRAWING NO.: TX-4712
SHEET 8 of 10



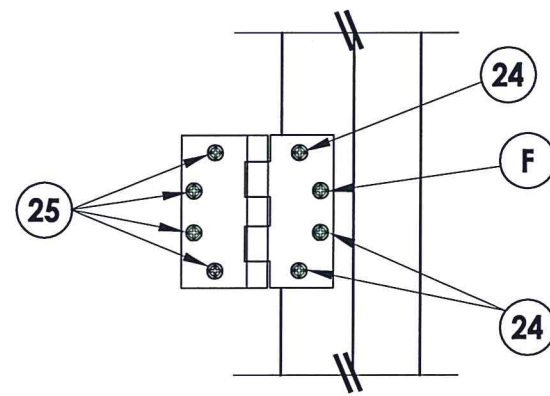
STRIKE JAMB
MULTIPOINT LOCK



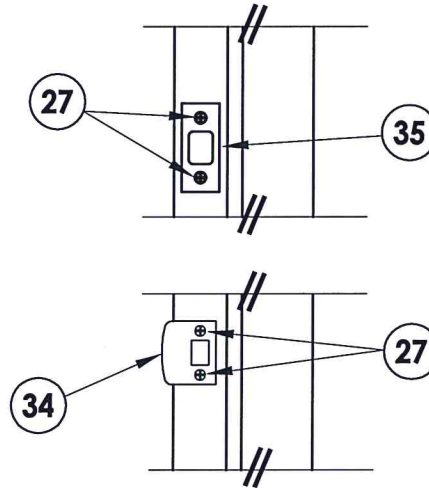
STRIKE JAMB
LATCH & DEADBOLT



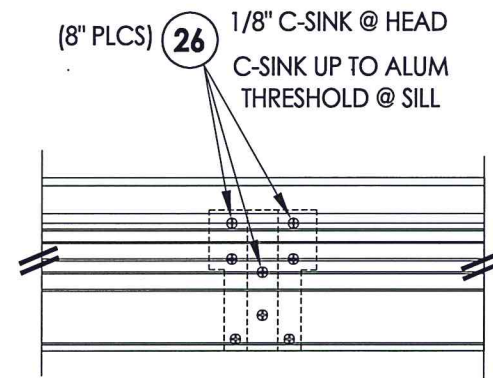
HINGE JAMB



HINGE DETAIL



STRIKE DETAIL



VIEW A-A
TYP. @ HEAD & SILL



Documents Prepared By: Lyndon F. Schmidt, P.E.
TEXAS P.E. #104123

RW BUILDING CONSULTANTS, INC.
P.O. Box 230 Vairico FL 33595
Phone No.: 813.659.9197
TEXAS BOARD OF PROFESSIONAL ENGINEERS
CERTIFICATE OF REGISTRATION # F-11852

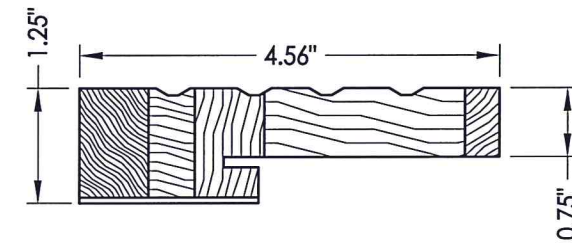
PRODUCT: ROGUE VALLEY WOOD DOOR
PART OR ASSEMBLY: HARDWARE DETAILS

NO.	DATE	BY	REVISIONS

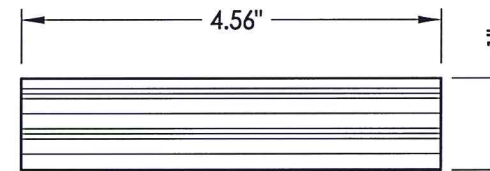
DATE: 7/31/17
SCALE: N.T.S.
DWG. BY: JK
CHK. BY: LFS
DRAWING NO.: TX-4712
SHEET 9 OF 10

BILL OF MATERIALS		
ITEM #	DESCRIPTION	MATERIAL
A	2X FRAMING (G >= 0.42)	WOOD
C	1/4" MAX. SHIM SPACE	-
D	1/4" PFH IELCO OR ITW CONCRETE SCREW (1-3/4" MIN. EMB.)	STEEL
F	#12 X 2-1/2" PFH WOOD SCREW	STEEL
K	#10 PFH WOOD SCREW (1-3/4" MIN. EMB.)	STEEL
L	#10 X 2-1/2" PFH WOOD SCREW (1.15" MIN. EMBEDMENT)	STEEL
1	JAMB	WOOD
3	MULLION	LVL
7	WEATHERSTRIP	FOAM
8	SWEEP	VINYL
14	OUTSWING THRESHOLD	ALUM/COMP
15	INSWING THRESHOLD	ALUM/COMP
16	ADA THRESHOLD	ALUM
23	#8 X 3/4" PFH WOOD SCREW	STEEL
24	#12 x 1" PFH WOOD SCREW	STEEL
25	#12 x 1-1/4" PFH WOOD SCREW	STEEL
26	#8 x 2-1/2" FH DEEP THREAD WOOD SCREW	STEEL
27	#9 x 2-1/2" PFH WOOD SCREW	STEEL
29	4.5" X 4.5" HINGE	STEEL
34	LATCH STRIKE PLATE	STEEL
35	DEADBOLT STRIKE PLATE	STEEL
36	MULTIPOINT STRIKE PLATE	STEEL
38	SIDELITE SPACER (INSWING)	PVC
39	SIDELITE SPACER (OUTSWING)	PVC
40	DOOR PANEL	WOOD
50	SIDELITE PANEL	WOOD
60	SIDELITE PANEL	WOOD

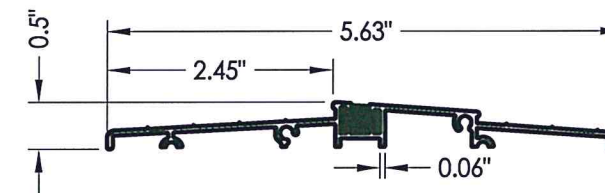
WOOD FRAME COMPONENTS: POPLAR (G = 0.42)



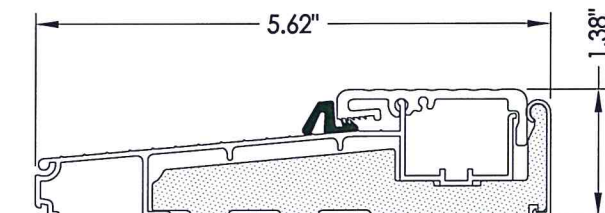
1 WOOD JAMB



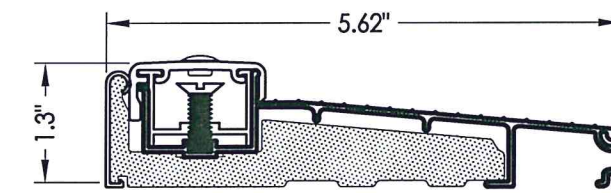
3 MULLION
VERSA-LAM® 1800 Fb-1.40E



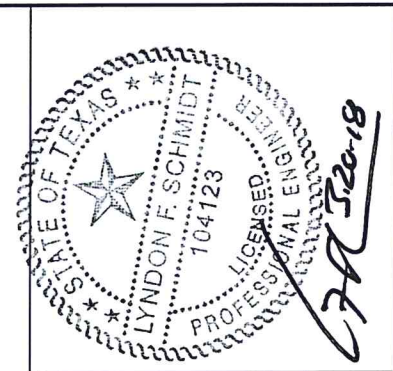
16 ADA THRESHOLD
ENDURA



14 OUTSWING THRESHOLD
COLUMBIA



15 INSWING THRESHOLD
COLUMBIA



Documents Prepared By: Lyndon F. Schmidt, P.E.
TEXAS P.E. #104123

RW BUILDING CONSULTANTS, INC.
P.O. Box 230 Vairico FL, 33595
Phone No.: 813.659.9197

TEXAS BOARD OF PROFESSIONAL ENGINEERS
CERTIFICATE OF REGISTRATION # F-11852

PRODUCT: ROGUE VALLEY WOOD DOOR
PART OR ASSEMBLY: BILL OF MATERIALS & COMPONENTS

NO.	DATE	BY	REVISIONS

DATE: 7/31/17
SCALE: N.T.S.
DWG. BY: JK
CHK. BY: LFS
DRAWING NO.: TX-4712
SHEET 10 OF 10

CONCRETE ANCHOR NOTES:

- Concrete anchor locations at the corners may be adjusted to maintain the min. edge distance to mortar joints.
- Concrete anchor locations noted as "MAX. ON CENTER" must be adjusted to maintain the min. edge distance to mortar joints, additional concrete anchors may be required to ensure the "MAX. ON CENTER" dimension are not exceeded.
- Concrete anchor table:

ANCHOR TYPE	ANCHOR SIZE	MIN. EMBEDMENT	MIN. CLEARANCE TO MASONRY EDGE	MIN. CLEARANCE TO ADJACENT ANCHOR
ITW TAPCON®	1/4"	1-1/4"	2"	4"
ELCO ULTRACON®	1/4"	1-1/4"	1"	4"

WOOD SCREW INSTALLATION NOTES:

- Maintain a minimum 5/8" edge distance, 1" end distance, & 1" o.c. spacing of wood screws to prevent the splitting of wood.