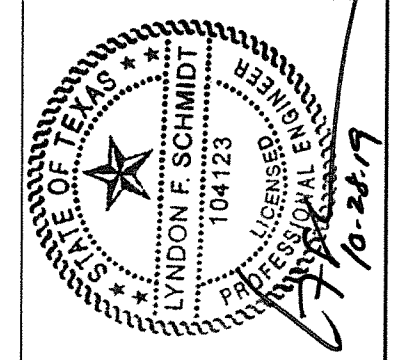
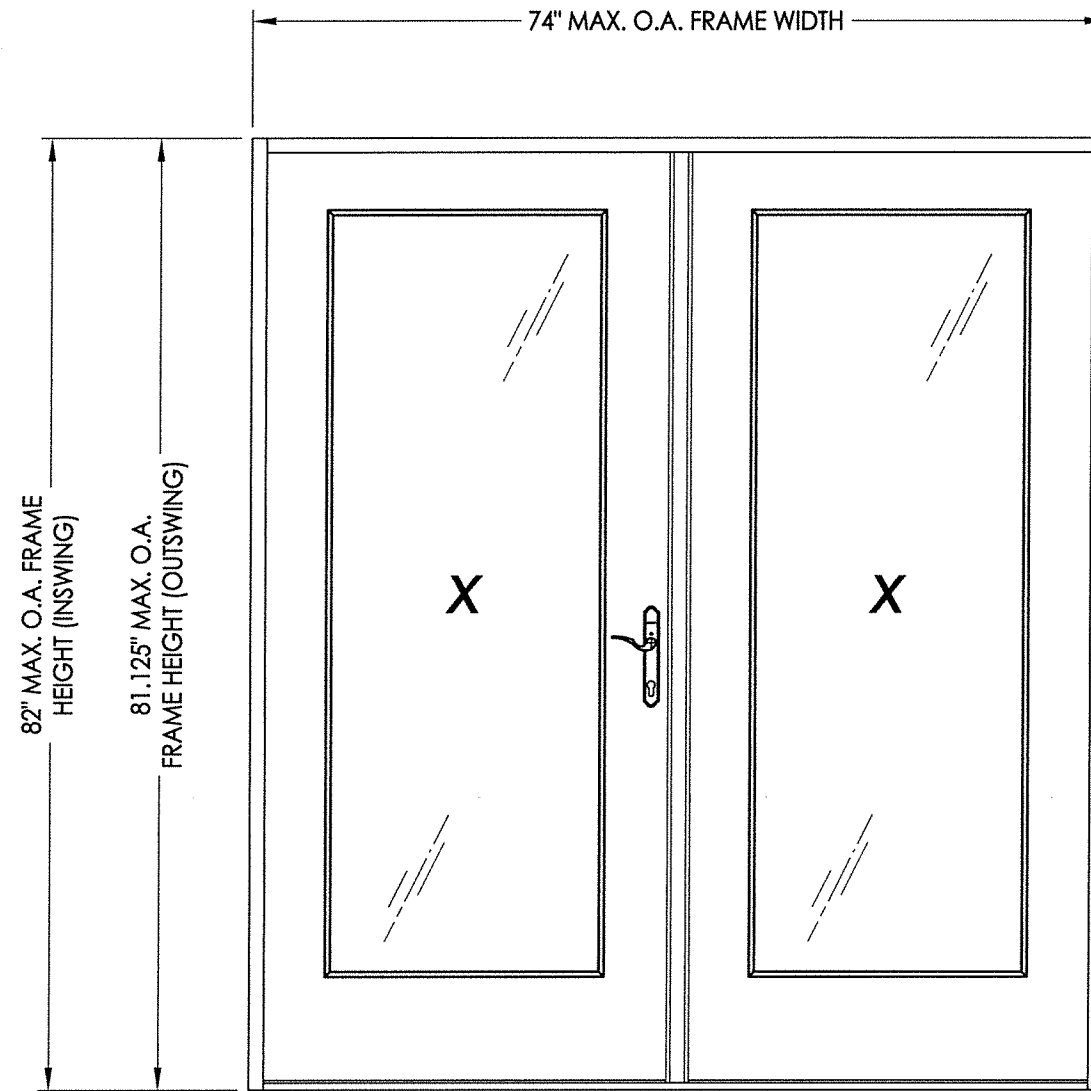




# Glazed Fiberglass Door

## "NON-IMPACT"

### INSWING / OUTSWING



Documents Prepared By: Lyndon F. Schmidt, P.E.  
TEXAS P.E. #104123

**RW** BUILDING CONSULTANTS, INC.  
P.O. Box 230 Valrico FL 33595  
Phone No.: 813.659.9197

TEXAS BOARD OF PROFESSIONAL ENGINEERS  
CERTIFICATE OF REGISTRATION # F-11852

**EVALUATED FOR USE IN THE STATE OF TEXAS**

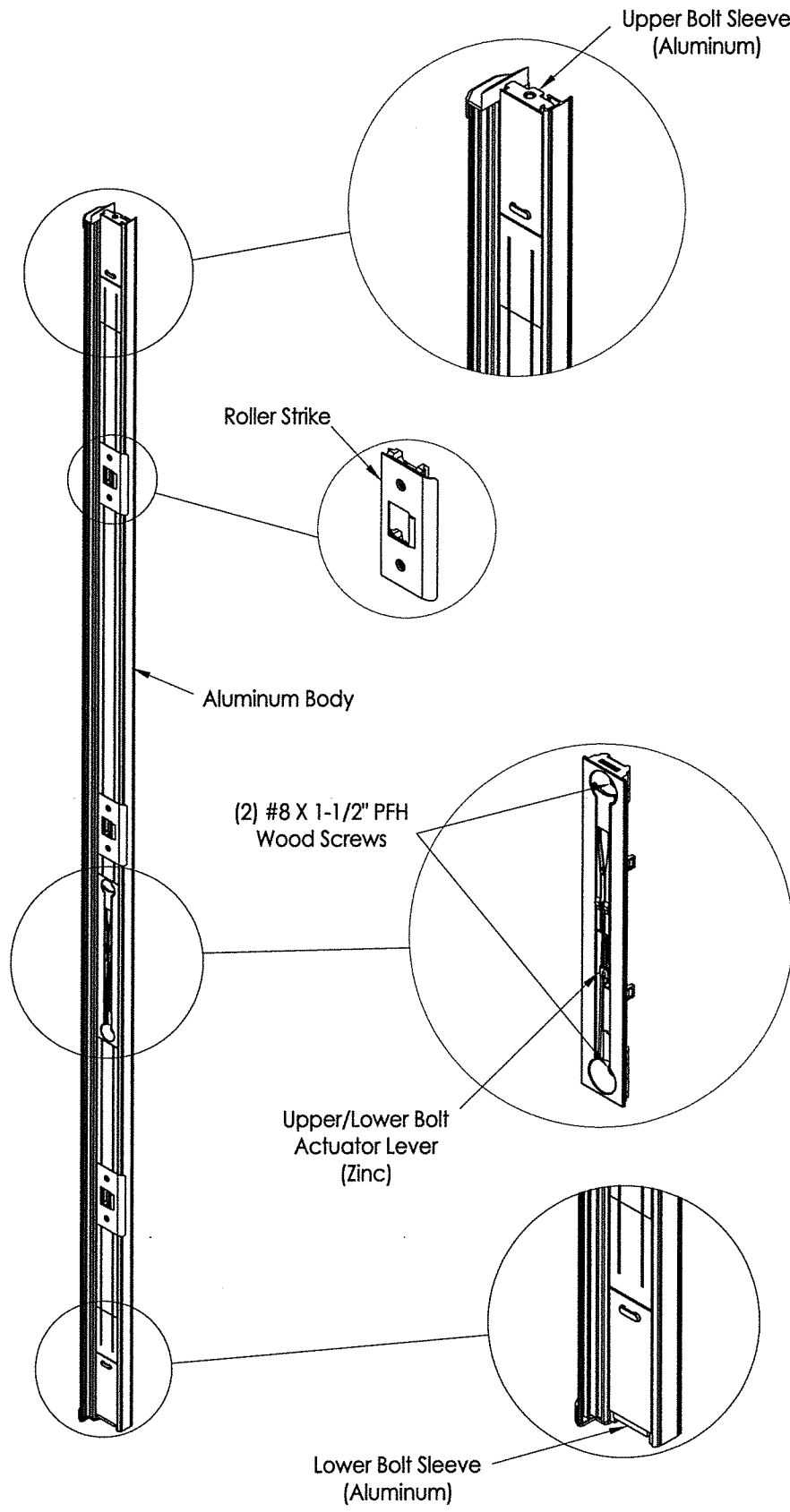
The Glazed Fiberglass Door system described herein complies with the 2018 International Residential Code (IRC), Sections R301 & R609 and the 2018 International Building Code (IBC), Sections 1404.13, 1609, 1709.5, 2403 and 2404 subject to the following conditions:

1. Anchors shall be as listed and spaced as shown in the details. Anchor embedment to base material shall be beyond wall dressing or stucco.
2. When used in areas requiring wind-borne debris protection this product is required to be protected with an impact resistant covering that complies with Section R301.2.1.2 of the IRC and Section 1609.2 of the IBC.
3. Allowable design pressure requirements must be equal to or less than the design pressure rating shown in the design pressure chart, sheet 1 of this drawing.
4. Conditions not covered by this drawing are subject to further engineering analysis.

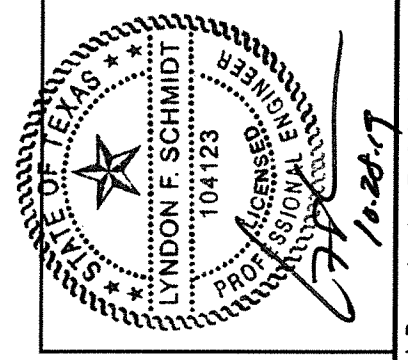
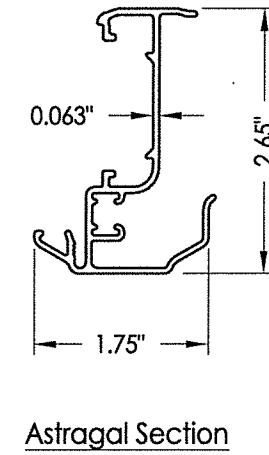
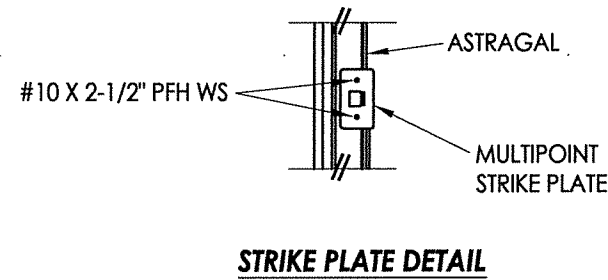
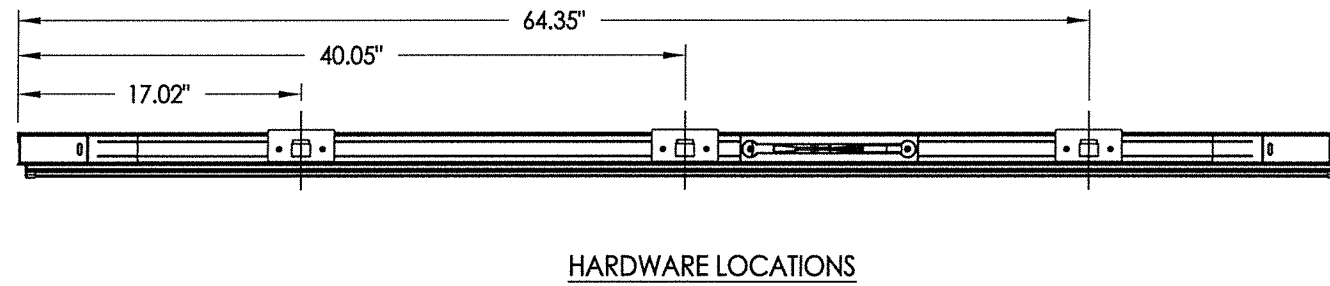
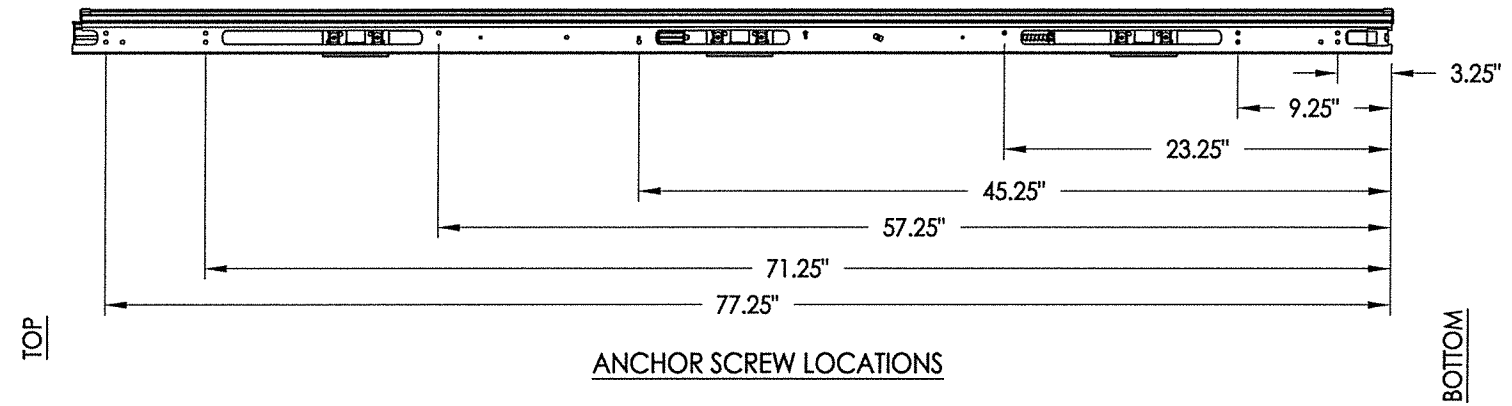
TABLE OF CONTENTS	
SHEET #	DESCRIPTION
1	Typical elevations, design pressures & general notes
2	Astragal details (Ultimate Trilennium)
3	Door panel details
4	Horizontal & vertical cross sections
5	Vertical cross sections
6	Frame anchoring

CONFIG.	FRAME TYPE	DESIGN PRESSURE (PSF)			
		INSWING		OUTSWING	
		POSITIVE	NEGATIVE	POSITIVE	NEGATIVE
XX	PINE	+45.0	-45.0	+60.0	-60.0
XX	"FusionFrame"	+45.0	-45.0	+50.0	-50.0

PRODUCT:	ENDURA	
PART OR ASSEMBLY:	TYPICAL ELEVATION, DESIGN PRESSURES & GENERAL NOTES	
NO.	DATE	REVISIONS
1	10/24/19	ADD "FusionFrame" OPTION & UPDATE TO 2018 IBC/IRC CODE
DATE: 4/27/17		
SCALE: N.T.S.		
DWG. BY: JK		
CHK. BY: LFS		
DRAWING NO.: TX-4691		
SHEET 1 OF 6		



**ULTIMATE TRILENNIUM ASTRAGAL**

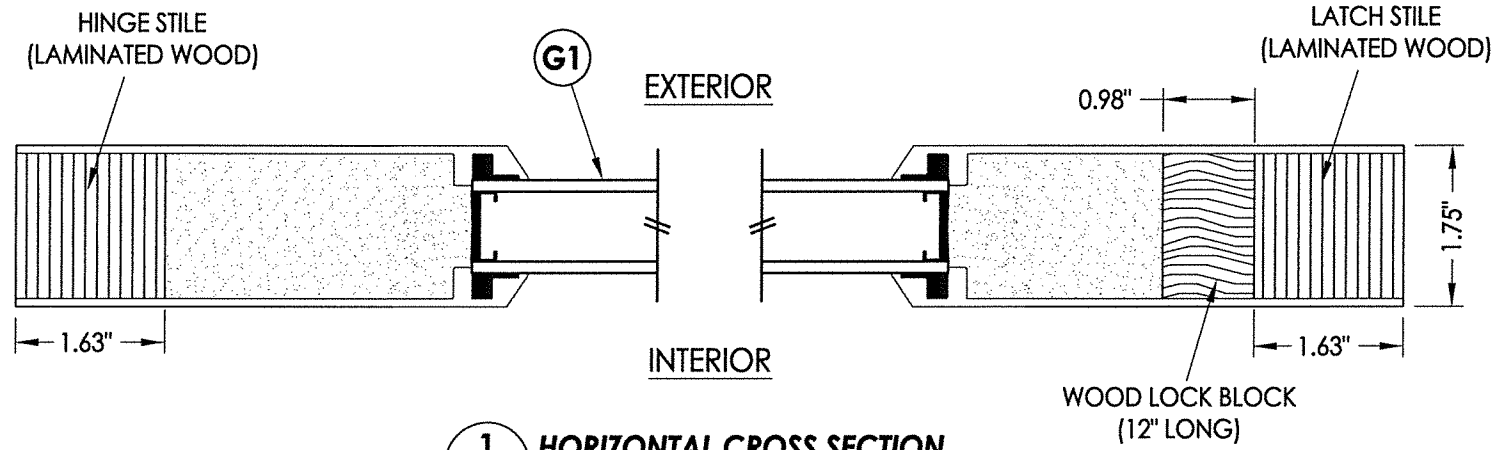


Documents Prepared By: Lyndon F. Schmidt, P.E.  
TEXAS P.E. #104123

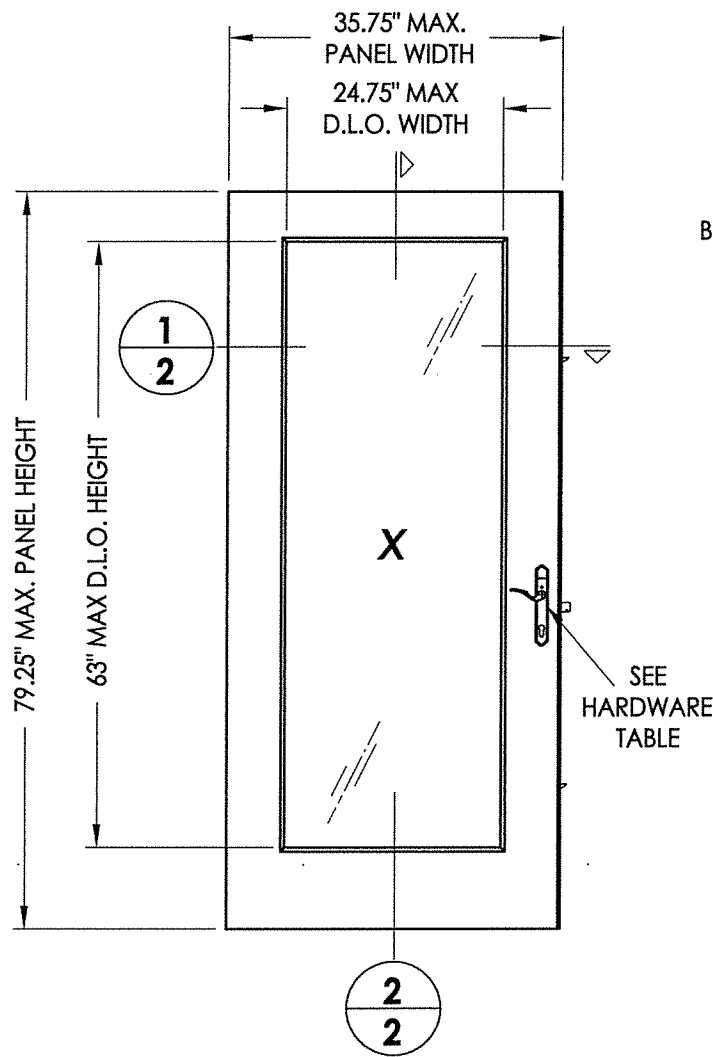
**RW** BUILDING CONSULTANTS, INC.  
P.O. Box 230 Valrico FL 33595  
Phone No.: 813.659.9197

TEXAS BOARD OF PROFESSIONAL ENGINEERS  
CERTIFICATE OF REGISTRATION # F-11852

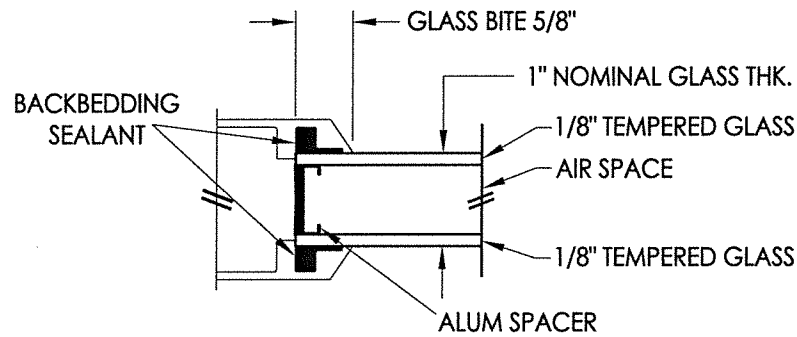
PRODUCT:	ENDURA		
PART OR ASSEMBLY:	ASTRAGAL DETAILS (ULTIMATE TRILENNIUM)		
NO.	DATE	BY	REVISIONS
1	10/24/19	LFS	ADD "FusionFrame" OPTION & UPDATE TO 2018 IBC/IRC CODE
DATE: 4/27/17			
SCALE: N.T.S.			
DWG. BY: JK			
CHK. BY: LFS			
DRAWING NO.: TX-4691			
SHEET 2 OF 6			



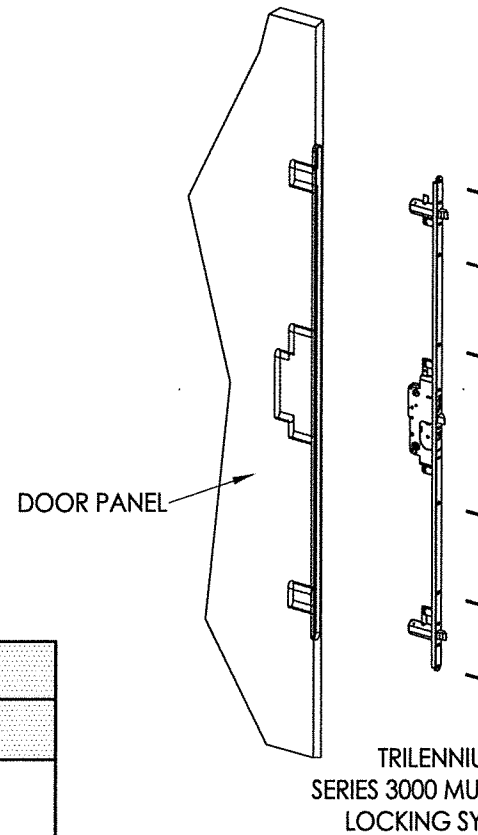
**1**  
**2** HORIZONTAL CROSS SECTION



MASONITE  
 VistaGrande Flush Glazed  
 Fiberglass Door Panel

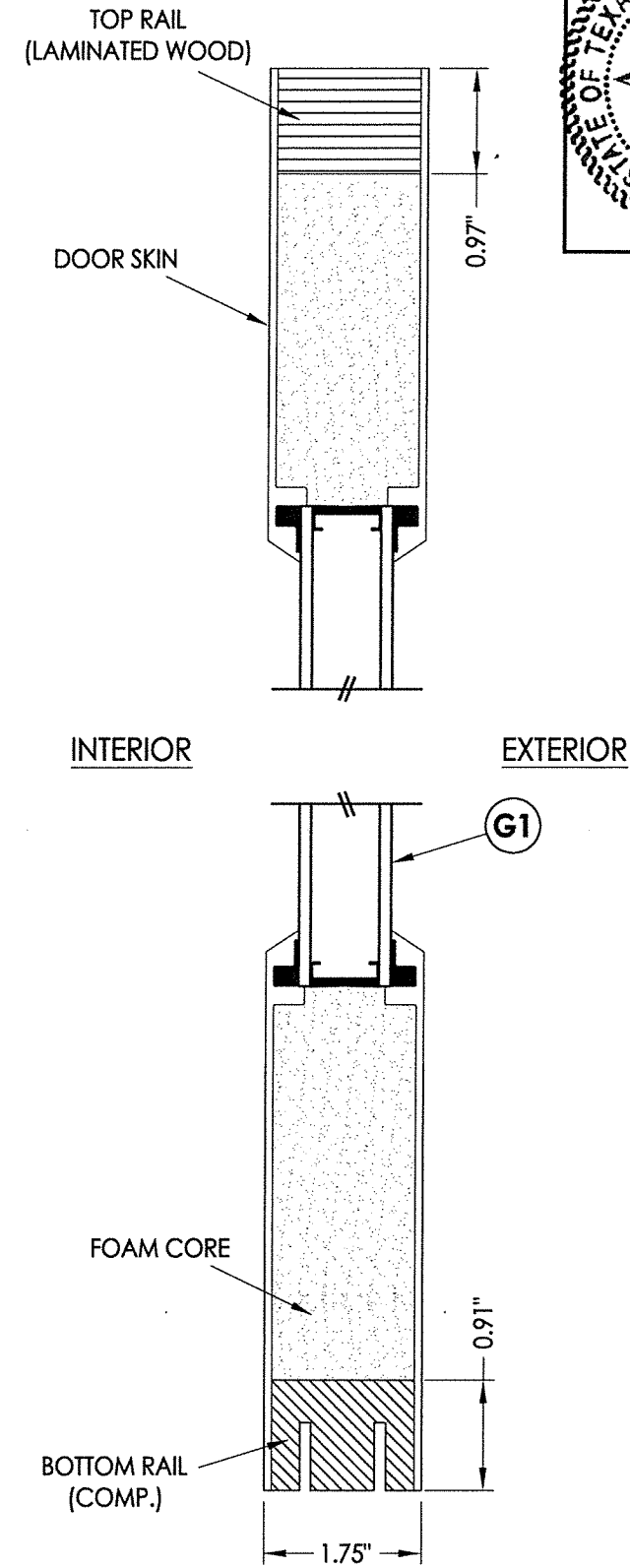


**G1** GLAZING DETAIL  
 Flush Glazing

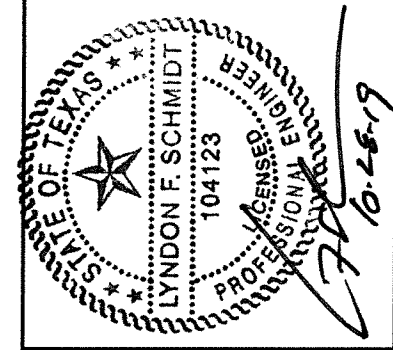


HARDWARE TABLE	
MANUFACTURER	MODEL
Endura	Trilennium® 3000 Series Multipoint Lock (3pt.)

DOOR SKIN: FIBERGLASS (0.085" MIN. THICKNESS)  
 CORE MATERIAL: POLYURETHANE FOAM (1.9 PCF MIN.)



**2**  
**2** VERTICAL CROSS SECTION

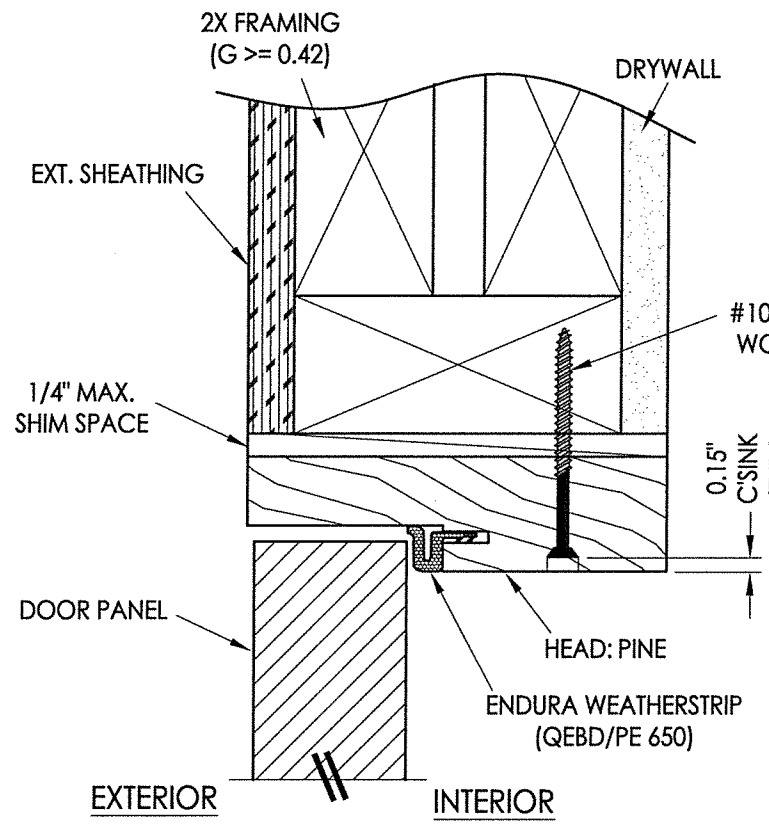
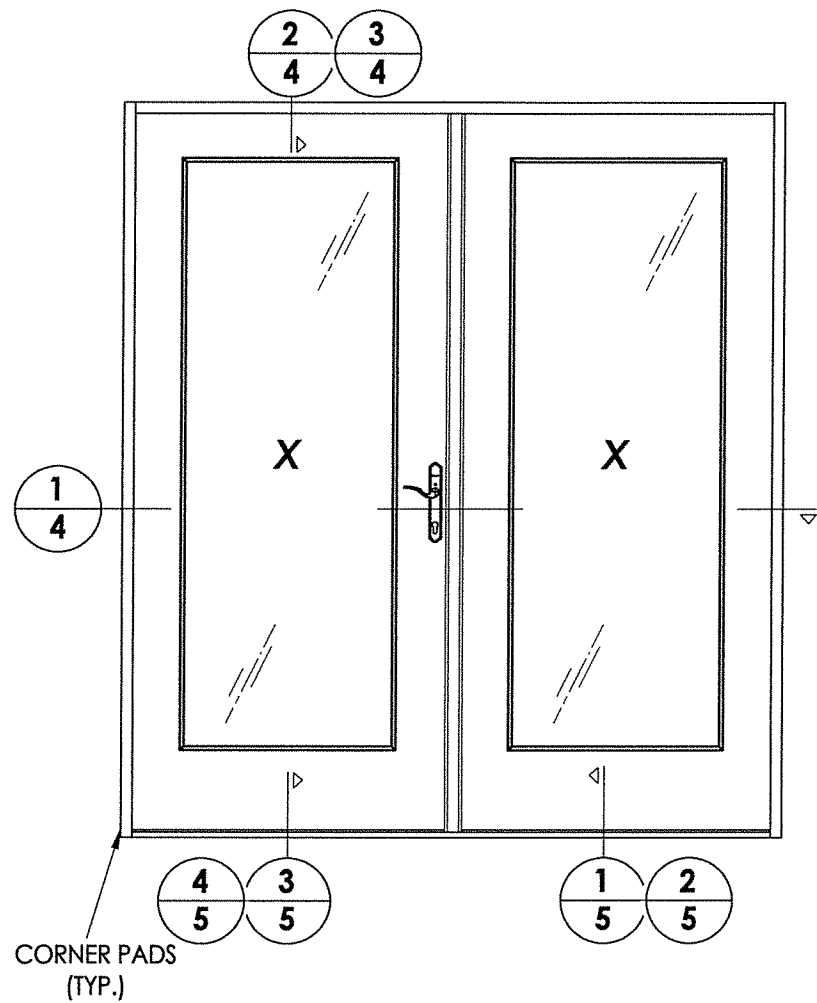


Documents Prepared By: Lyndon F. Schmidt, P.E.  
 TEXAS P.E. #104123  
**R.W.** BUILDING CONSULTANTS, INC.  
 P.O. Box 230 Valrico FL 33595  
 Phone No.: 813.659.9197  
 TEXAS BOARD OF PROFESSIONAL ENGINEERS  
 CERTIFICATE OF REGISTRATION # F-11852

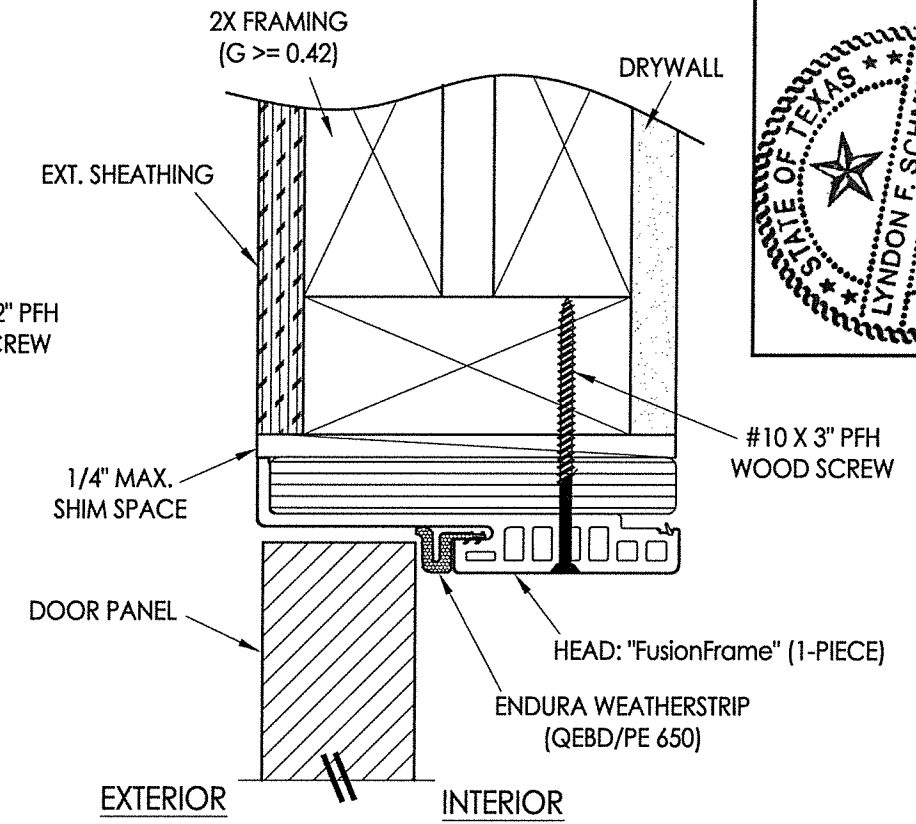
PRODUCT:	ENDURA	
PART OR ASSEMBLY:	DOOR PANEL DETAILS & GLAZING DETAIL	
NO.	DATE	BY
1	10/24/19	LFS
ADD "FusionFrame" OPTION & UPDATE TO 2018 IBC/IRC CODE		
REVISIONS		

DATE: 4/27/17  
 SCALE: N.T.S.  
 DWG. BY: JK  
 CHK. BY: LFS  
 DRAWING NO.: TX-4691  
 SHEET 3 OF 6

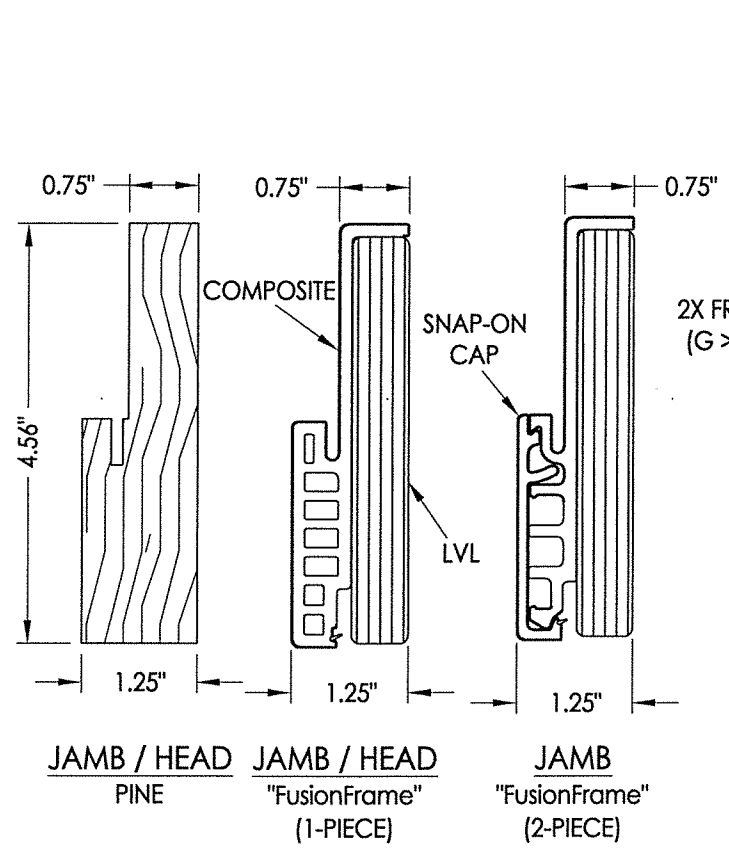
R:\Clients\Endura PERMANENT\B - Texas Dept of Ins\TDI - DR-888 Masonite FG VG GLAZED (Trilennium)\C - Drawings\TX-4690.91.93.94.dwg, 1.4



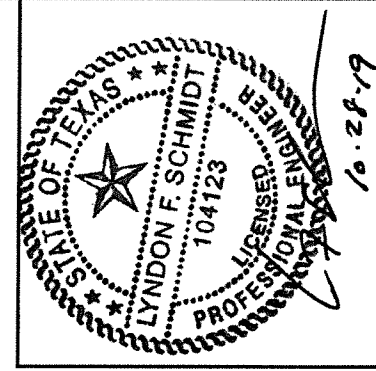
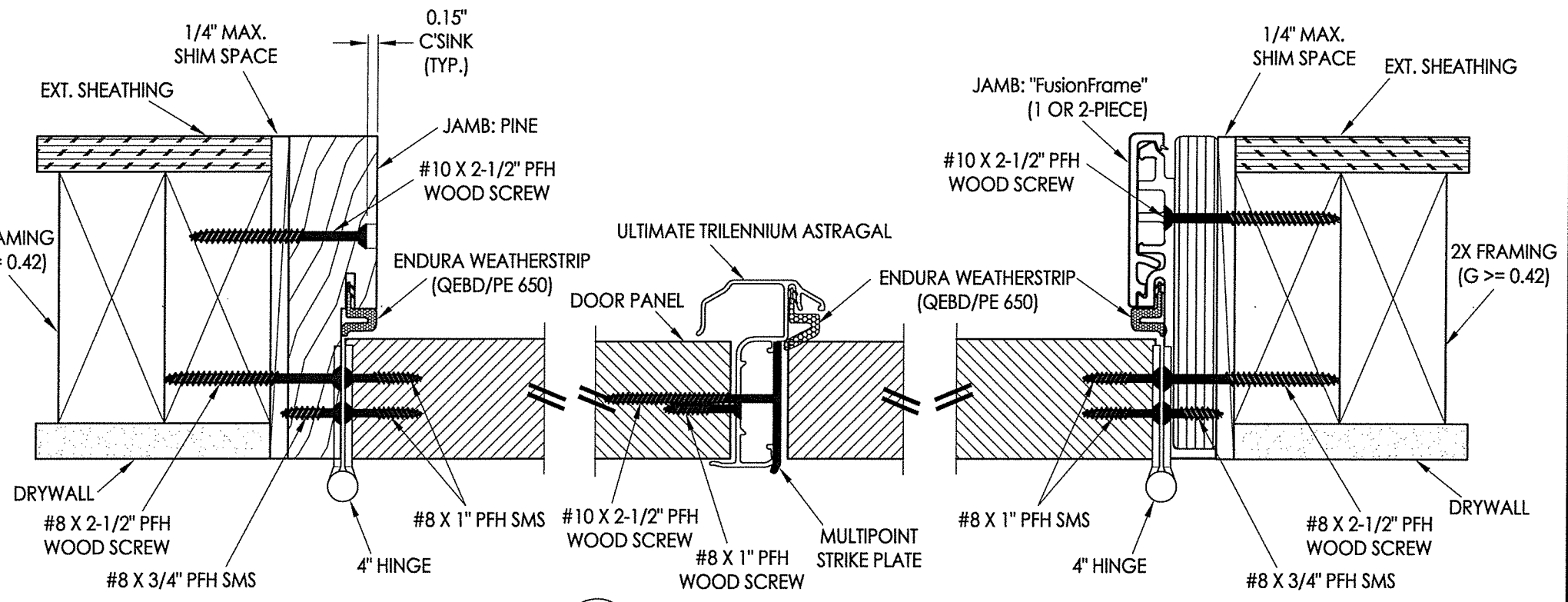
**2 VERTICAL CROSS SECTION**  
 4 Outswing shown - inswing also approved



**3 VERTICAL CROSS SECTION**  
 4 Outswing shown - inswing also approved



**1 HORIZONTAL CROSS SECTION**  
 4 Inswing shown - Outswing also approved

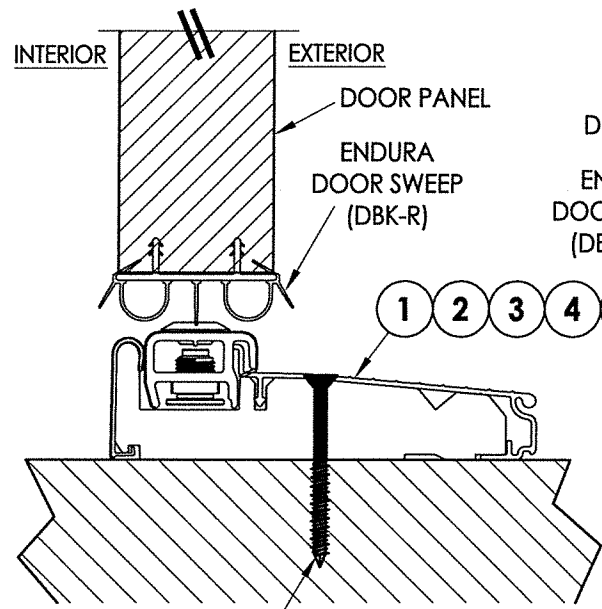


Documents Prepared By: Lyndon F. Schmidt, P.E.  
 TEXAS P.E. #104123  
**RW** BUILDING CONSULTANTS, INC.  
 P.O. Box 230 Vairico FL, 33595  
 Phone No.: 813.659.9197  
 TEXAS BOARD OF PROFESSIONAL ENGINEERS  
 CERTIFICATE OF REGISTRATION # F-11852

PRODUCT:	ENDURA	
PART OR ASSEMBLY:	HORIZONTAL & VERTICAL CROSS SECTIONS	
NO.	DATE	BY
1	10/24/19	LFS
ADD "FusionFrame" OPTION & UPDATE TO 2018 IBC/IRC CODE		
REVISIONS		
DATE:	4/27/17	
SCALE:	N.T.S.	
DWG. BY:	JK	
CHK. BY:	LFS	
DRAWING NO.:	TX-4691	
SHEET	4	OF 6

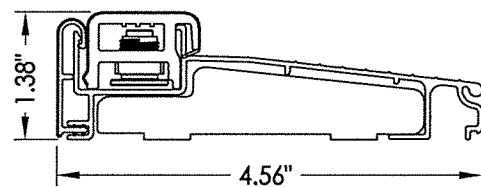
© 2017 R.W. BUILDING CONSULTANTS INC.

R:\Clients\Endura PERMANENT\B - Texas Dept of Ins\TDI - DR-888 Masonite FG VG GLAZED (Trilennium)\C - Drawings\TX-4690.91.93.94.dwg, 1.5

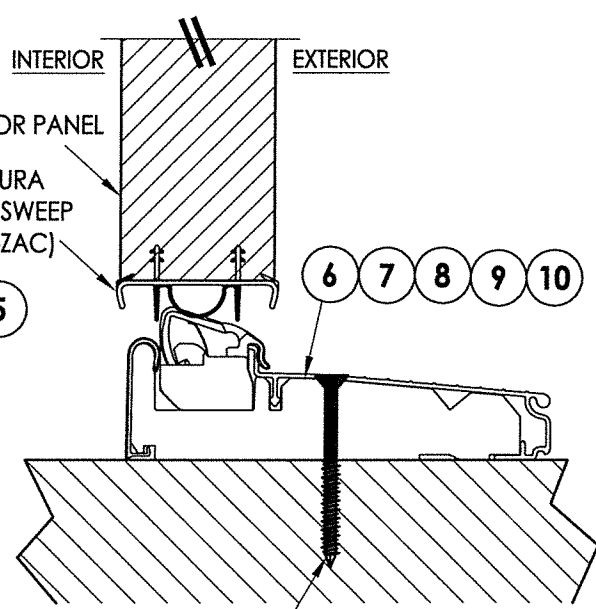


#10 X 2-1/2" PFH WOOD SCREW OR  
1/4" X 2-3/4" ELCO OR ITW CONCRETE SCREW

**1 VERTICAL CROSS SECTION**  
**5** Inswing Adjustable Threshold

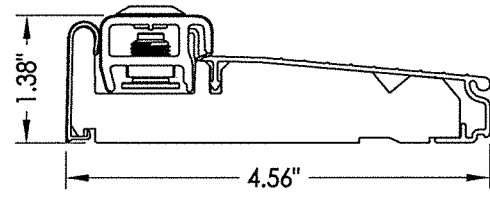


**1 INSWING ADJUSTABLE THRESHOLD**  
ZAIL4565

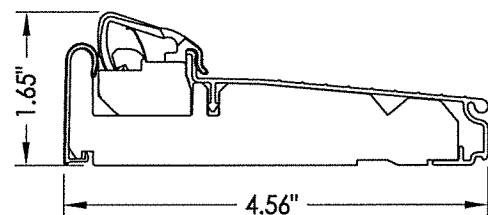


#10 X 2-1/2" PFH WOOD SCREW OR  
1/4" X 2-3/4" ELCO OR ITW CONCRETE SCREW

**2 VERTICAL CROSS SECTION**  
**5** Inswing Articulating Threshold  
w/ Pin Capture

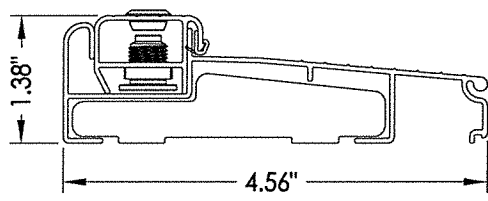


**2 INSWING ADJUSTABLE THRESHOLD**  
ZAI4565FN

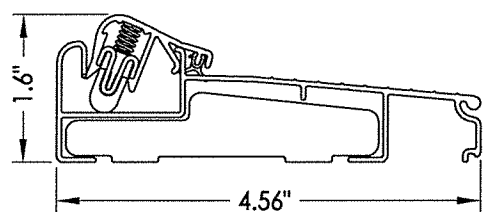


**7 INSWING ARTICULATING THRESHOLD**  
ZAC4565FN

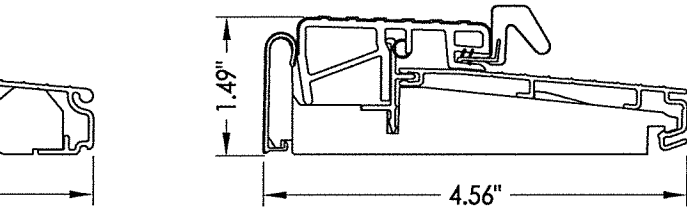
MAX. DESIGN PRESSURE = ±30 PSF



**3 INSWING ADJUSTABLE THRESHOLD**  
ZAILAA4565

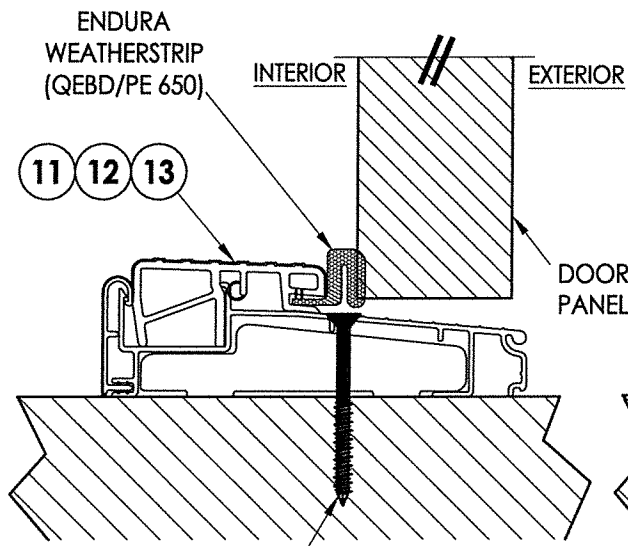


**8 INSWING ARTICULATING THRESHOLD**  
ZACLAA4565



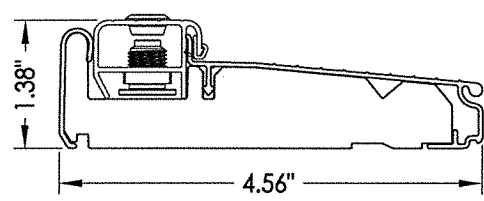
**12 OUTSWING THRESHOLD**  
ZOB4565FN

MAX. DESIGN PRESSURE = ±55 PSF

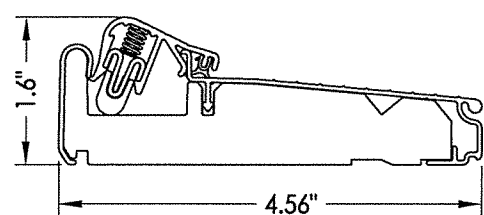


#10 X 2-1/2" PFH WOOD SCREW OR  
1/4" X 2-3/4" ELCO OR ITW CONCRETE SCREW

**3 VERTICAL CROSS SECTION**  
**5** Outswing Bump Threshold

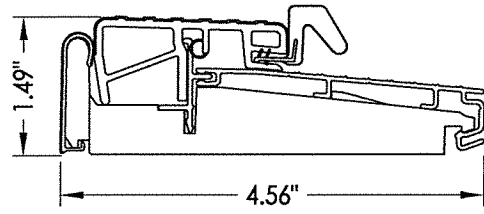


**4 INSWING ADJUSTABLE THRESHOLD**  
ZAIAA4565FN



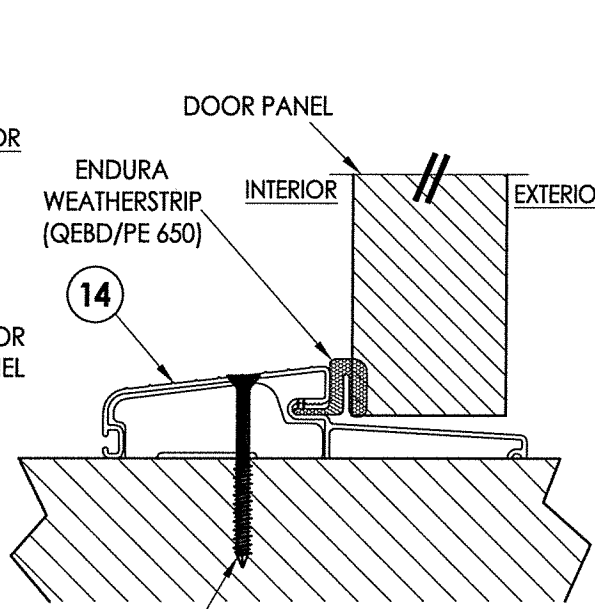
**9 INSWING ARTICULATING THRESHOLD**  
ZACAA4565FN

MAX. DESIGN PRESSURE = ±30 PSF



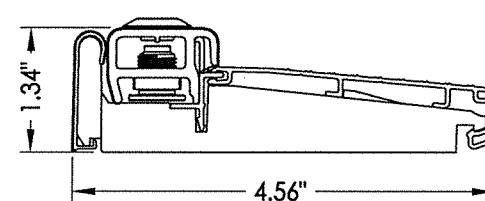
**13 OUTSWING THRESHOLD**  
ZOB4565RDS

MAX. DESIGN PRESSURE = ±55 PSF

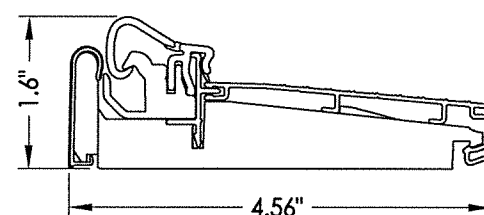


#10 X 2-1/2" PFH WOOD SCREW OR  
1/4" X 2-3/4" ELCO OR ITW CONCRETE SCREW

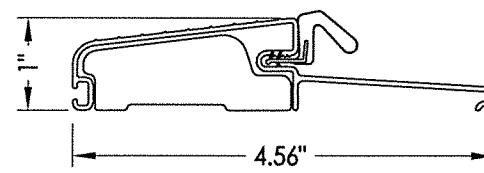
**4 VERTICAL CROSS SECTION**  
**5** Outswing Bump Threshold



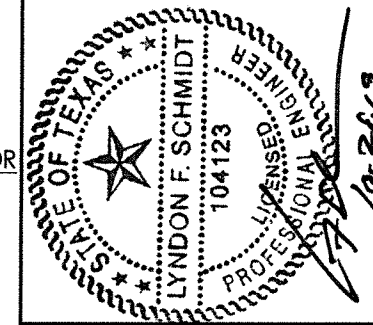
**5 INSWING ADJUSTABLE THRESHOLD**  
ZAI4565RDS



**10 INSWING ARTICULATING THRESHOLD**  
ZAC4565RDS



**14 OUTSWING THRESHOLD**  
FOB4566

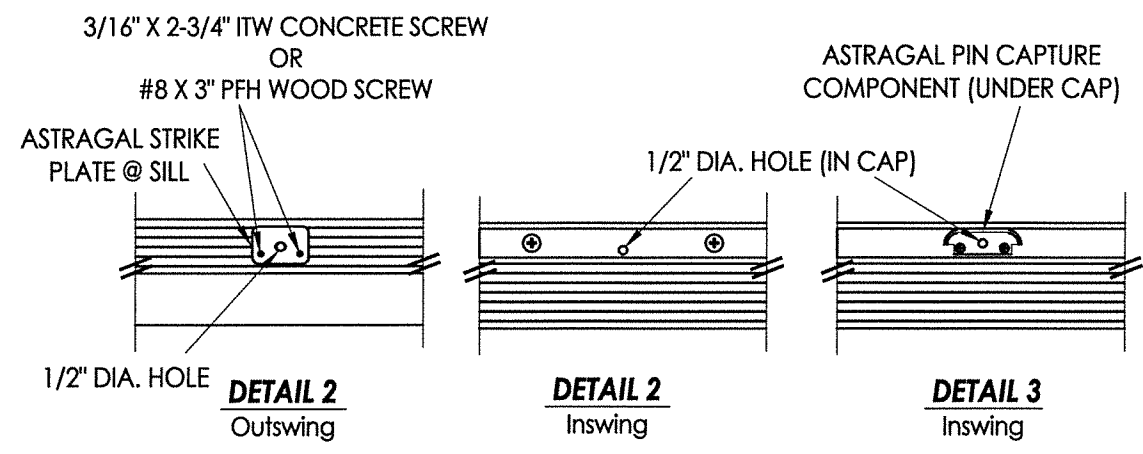
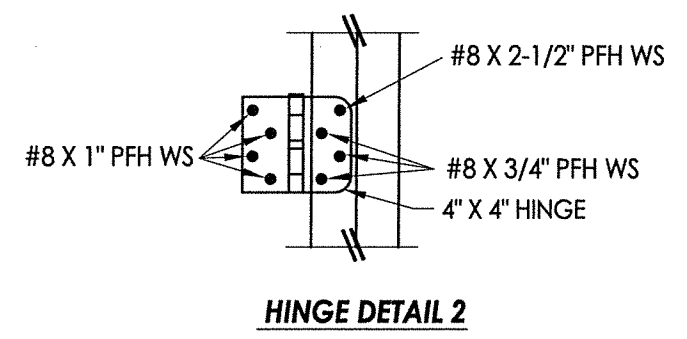
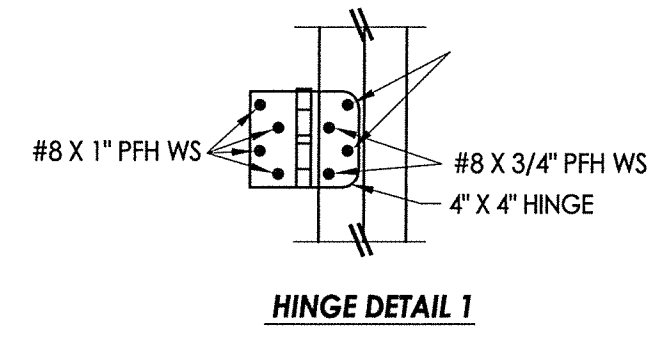
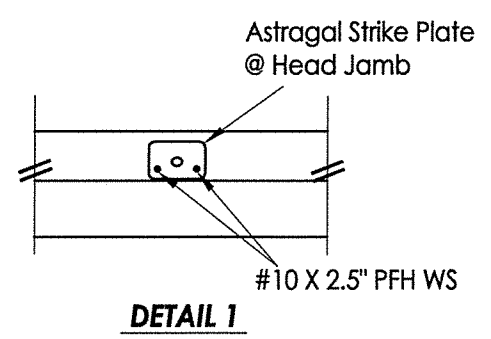
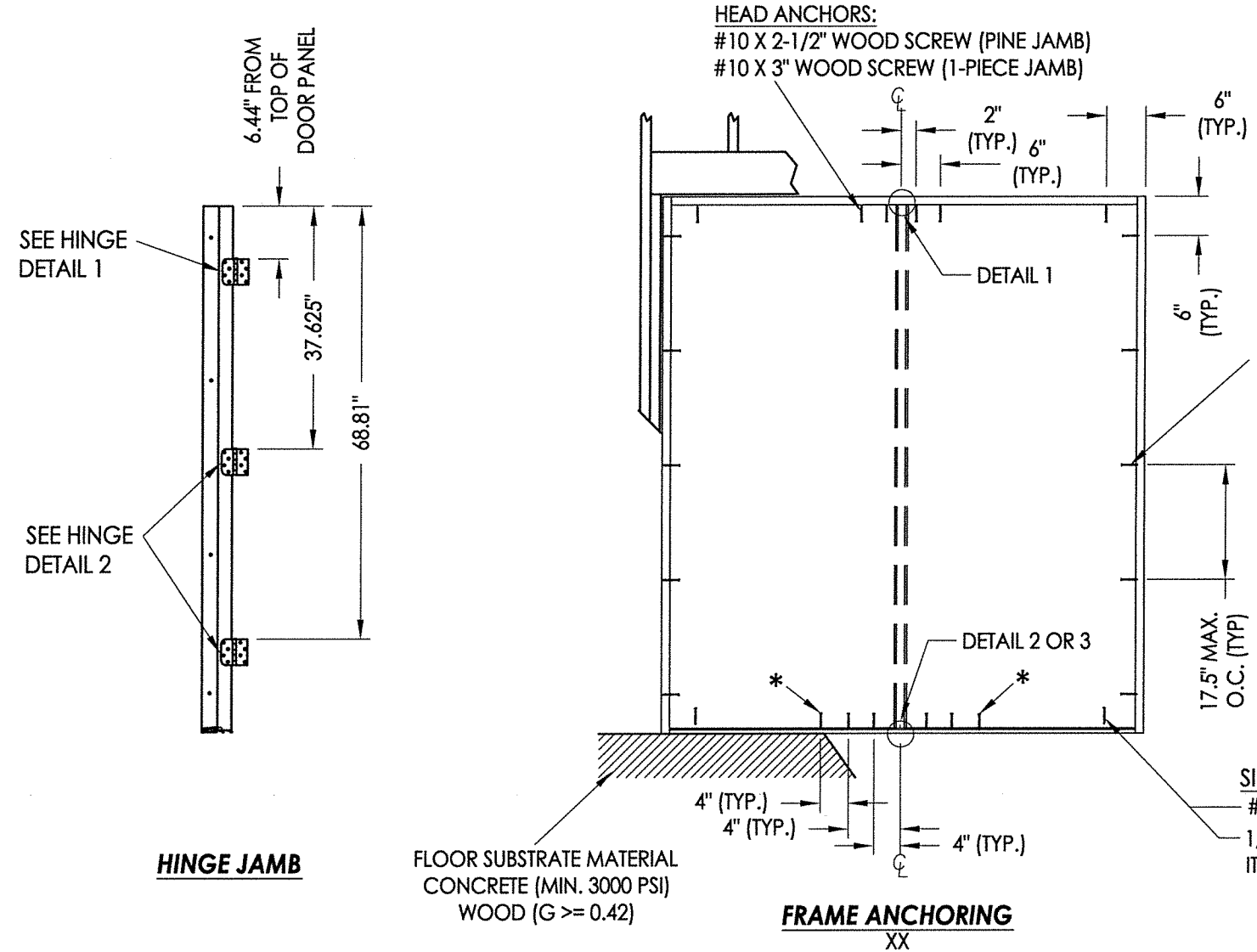


Documents Prepared By: Lyndon F. Schmidt, P.E.  
TEXAS P.E. #104123

**RW** BUILDING CONSULTANTS, INC.  
P.O. Box 230 Valrico FL 33595  
Phone No.: 813.659.9197  
TEXAS BOARD OF PROFESSIONAL ENGINEERS  
CERTIFICATE OF REGISTRATION # F-11852

PRODUCT: ENDURA	
PART OR ASSEMBLY: VERTICAL CROSS SECTIONS	
NO.	DATE
1	10/24/19
ADD "FusionFrame" OPTION & UPDATE TO 2018 IBC/IRC CODE	
DATE:	4/27/17
SCALE:	N.T.S.
DWG. BY:	JK
CHK. BY:	LFS
DRAWING NO.:	TX-4691
SHEET	5 OF 6

© 2017 R.W. BUILDING CONSULTANTS INC.

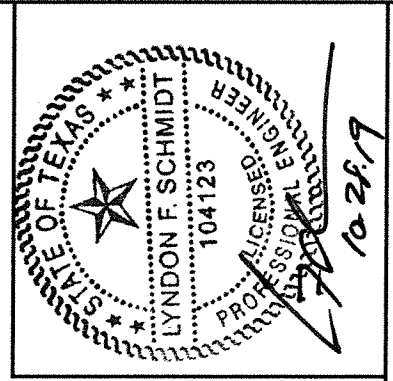


**JAMB NOTES:**  
 THE PINE OR "FusionFrame" 1-PIECE JAMB MAY BE INSTALLED @ THE HEAD OR SIDE JAMB.  
 THE FusionFrame" 2-PIECE JAMB MAY BE INSTALLED @ THE SIDE JAMBS ONLY.

**CONCRETE ANCHOR NOTES:**  
 1. Concrete anchor locations at the corners may be adjusted to maintain the min. edge distance to mortar joints.  
 2. Concrete anchor locations noted as "MAX. ON CENTER" must be adjusted to maintain the min. edge distance to mortar joints, additional concrete anchors may be required to ensure the "MAX. ON CENTER" dimension are not exceeded.  
 3. Concrete anchor table:

ANCHOR TYPE	ANCHOR SIZE	MIN. EMBEDMENT	MIN. CLEARANCE TO MASONRY EDGE	MIN. CLEARANCE TO ADJACENT ANCHOR
ITW TAPCON®	1/4"	1-3/4"	1-1/2"	4"
ELCO ULTRACON®	1/4"	1-3/4"	1"	4"

\*NOTE: Outside anchors are required for D.P. > 50 PSF.



Documents Prepared By: Lyndon F. Schmidt, P.E.  
 TEXAS P.E. #104123

**RW BUILDING CONSULTANTS, INC.**  
 P.O. Box 230 Valrico FL, 33595  
 Phone No.: 813.659.9197

TEXAS BOARD OF PROFESSIONAL ENGINEERS  
 CERTIFICATE OF REGISTRATION # F-11852

PRODUCT:	ENDURA	
PART OR ASSEMBLY:	FRAME ANCHORING	
NO.	DATE	BY
1	10/24/19	LFS
ADD "FusionFrame" OPTION & UPDATE TO 2018 IBC/IRC CODE		
REVISIONS		
DATE:	4/27/17	
SCALE:	N.T.S.	
DWG. BY:	JK	
CHK. BY:	LFS	
DRAWING NO.:	TX-4691	
SHEET	6	OF 6