



Glazed Fiberglass Door

"NON-IMPACT"
INSWING / OUTSWING

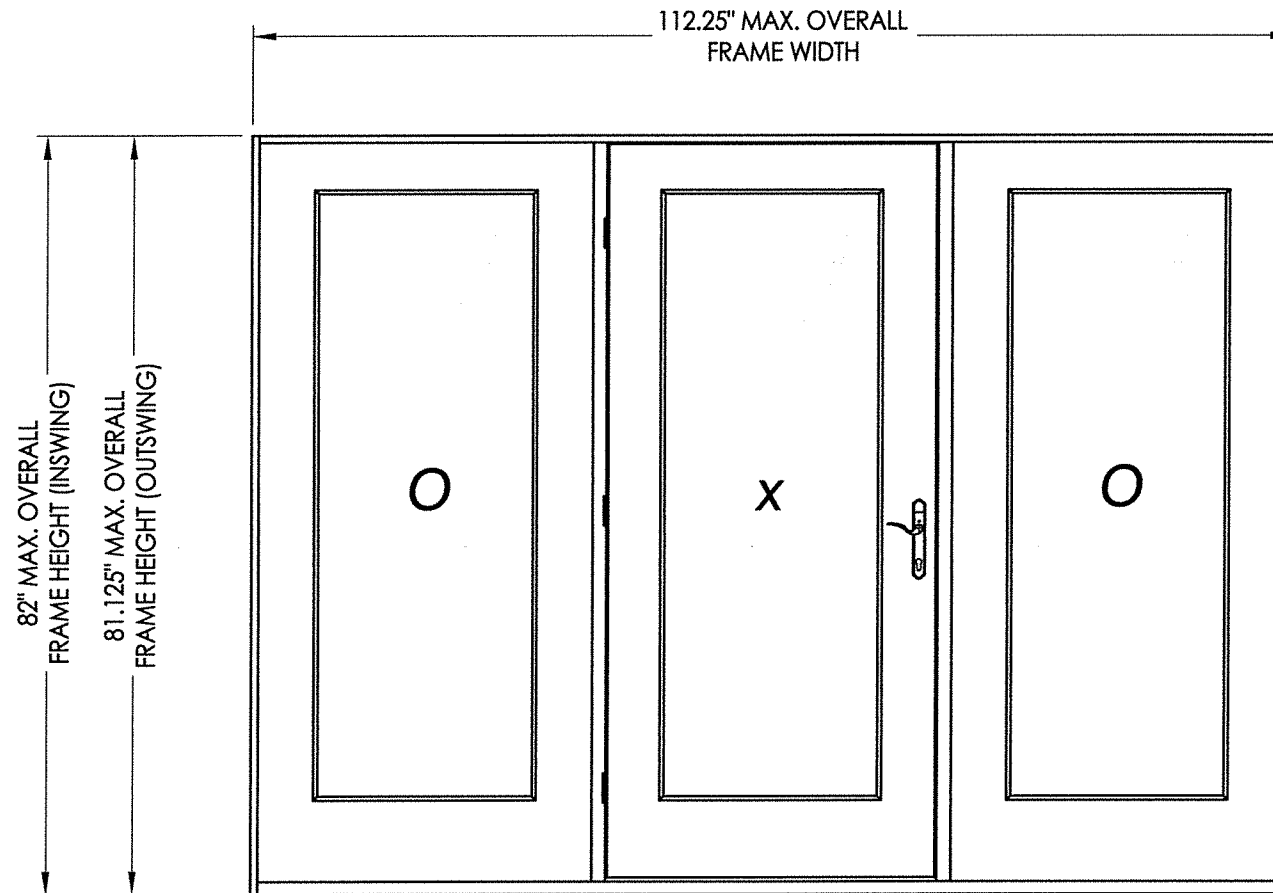
EVALUATED FOR USE IN THE STATE OF TEXAS

The Glazed Fiberglass Door system described herein complies with the 2018 International Residential Code (IRC), Sections R301 & R609 and the 2018 International Building Code (IBC), Sections 1404.13, 1609, 1709.5, 2403 and 2404 subject to the following conditions:

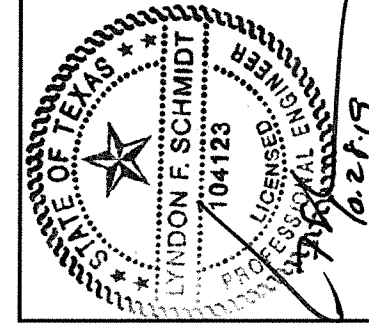
1. Anchors shall be as listed and spaced as shown in the details. Anchor embedment to base material shall be beyond wall dressing or stucco.
2. When used in areas requiring wind-borne debris protection this product is required to be protected with an impact resistant covering that complies with Section R301.2.1.2 of the IRC and Section 1609.2 of the IBC.
3. Allowable design pressure requirements must be equal to or less than the design pressure rating shown in the design pressure chart, sheet 1 of this drawing.
4. Conditions not covered by this drawing are subject to further engineering analysis.

TABLE OF CONTENTS

SHEET #	DESCRIPTION
1	Typical elevations, design pressures & general notes
2	Door panel details
3	Slidelite panel details (lip lite insert glazing)
4	Horizontal cross sections
5	Vertical cross sections
6	Vertical cross sections
7	Frame anchoring



CONFIG.	FRAME TYPE	MODEL	DESIGN PRESSURE (PSF)	
			POSITIVE	NEGATIVE
OXO	PINE	INSWING	+60.0	-60.0
OXO		OUTSWING	+60.0	-60.0
OXO	"FusionFrame"	INSWING	+50.0	-50.0
OXO		OUTSWING	+50.0	-50.0

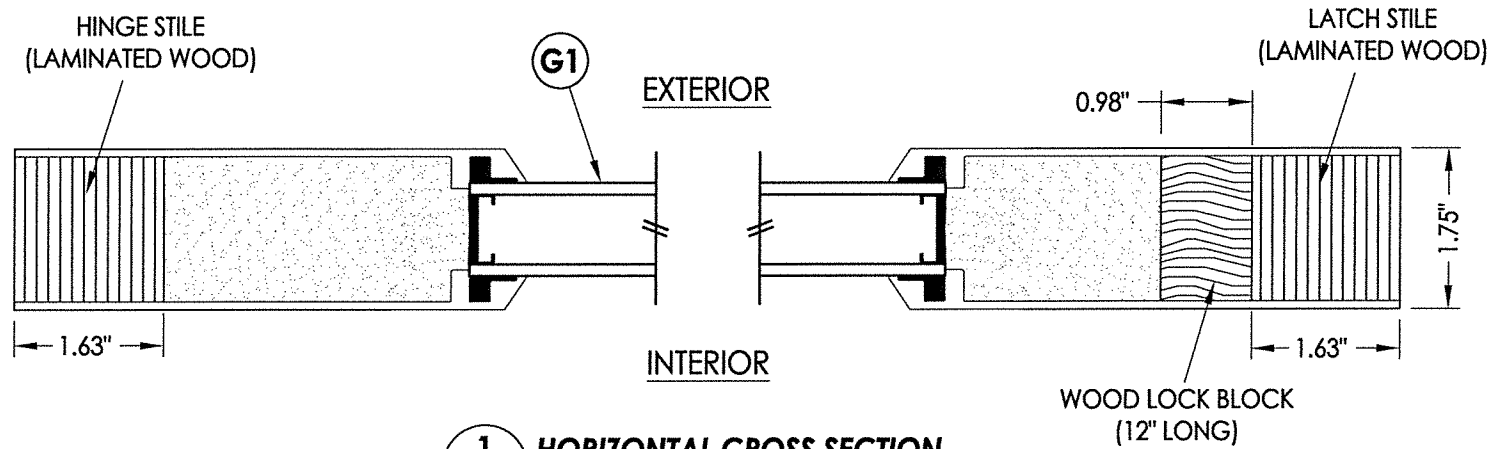


Documents Prepared By: Lyndon F. Schmidt, P.E.
TEXAS P.E. #104123

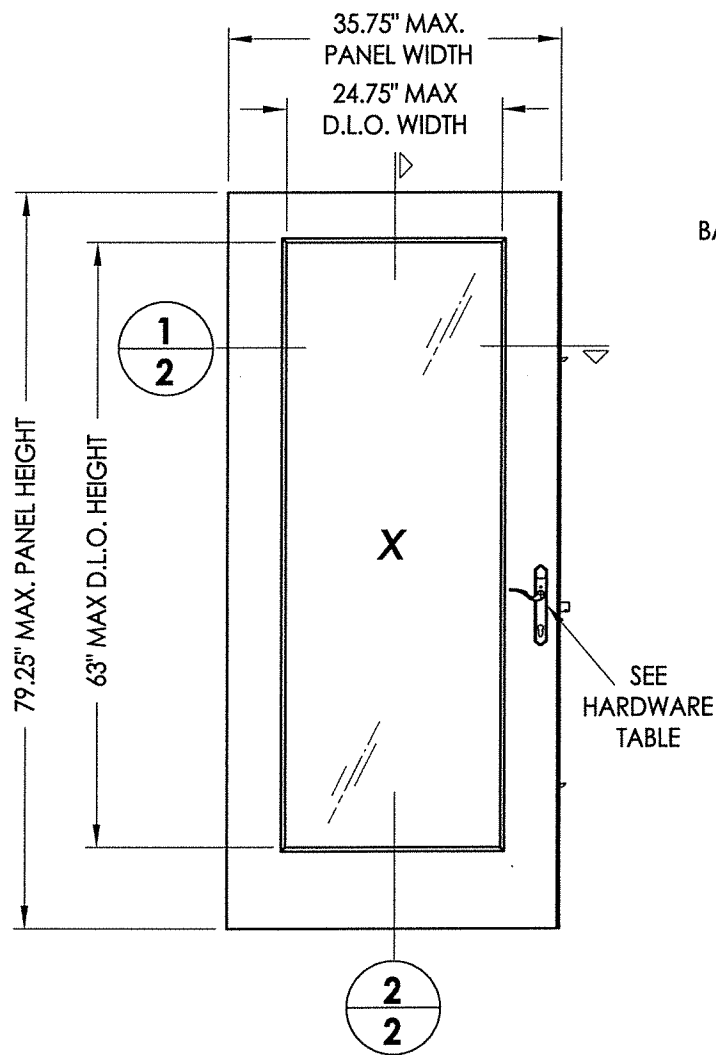
RW BUILDING CONSULTANTS, INC.
P.O. Box 230 Valrico FL 33595
Phone No.: 813.659.9197
TEXAS BOARD OF PROFESSIONAL ENGINEERS
CERTIFICATE OF REGISTRATION # F-11852

PRODUCT:	ENDURA	
PART OR ASSEMBLY:	TYPICAL ELEVATION, DESIGN PRESSURES & GENERAL NOTES	
NO.	DATE	BY
1	10/24/19	LFS
ADD "FusionFrame" OPTION & UPDATE TO 2018 IBC/IRC CODE		
REVISIONS		
DATE:	4/27/17	
SCALE:	N.T.S.	
DWG. BY:	JK	
CHK. BY:	LFS	
DRAWING NO.:	TX-4690	
SHEET	1 OF 7	

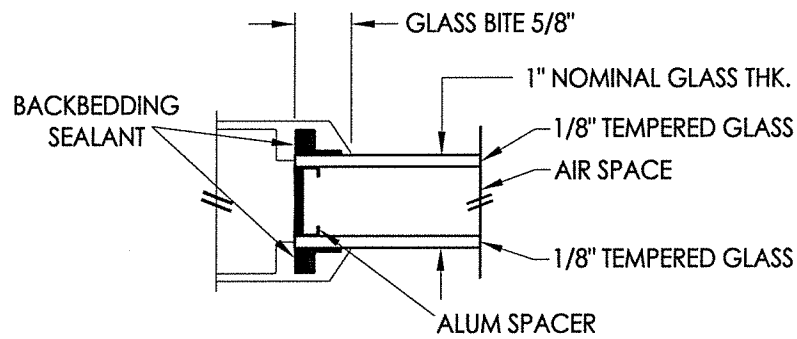
R:\Clients\Endura PERMANENT\B - Texas Dept of Ins\TDI - DR-888 Masonite FG VG GLAZED (Trilennium)\C - Drawings\TX-4690.91.93.94.dwg, 2.3



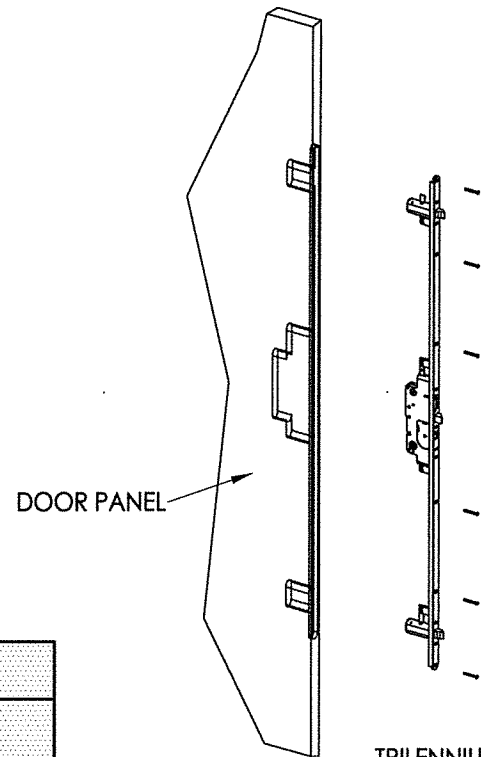
1
2 HORIZONTAL CROSS SECTION



MASONITE
 VistaGrande Flush Glazed
 Fiberglass Door Panel

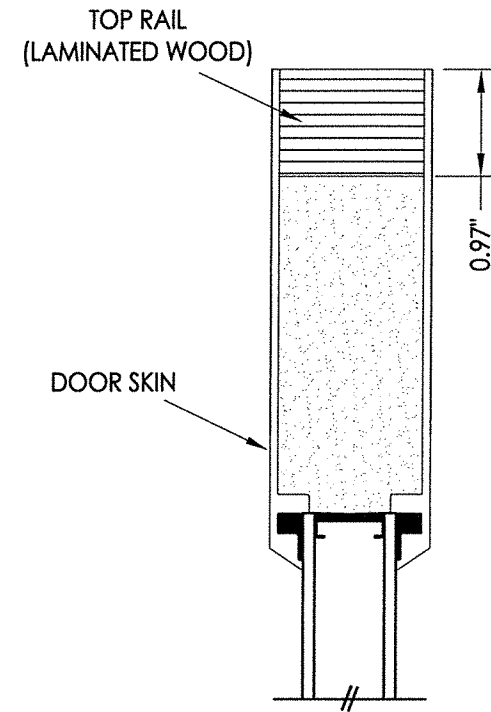


G1 GLAZING DETAIL
 Flush Glazing

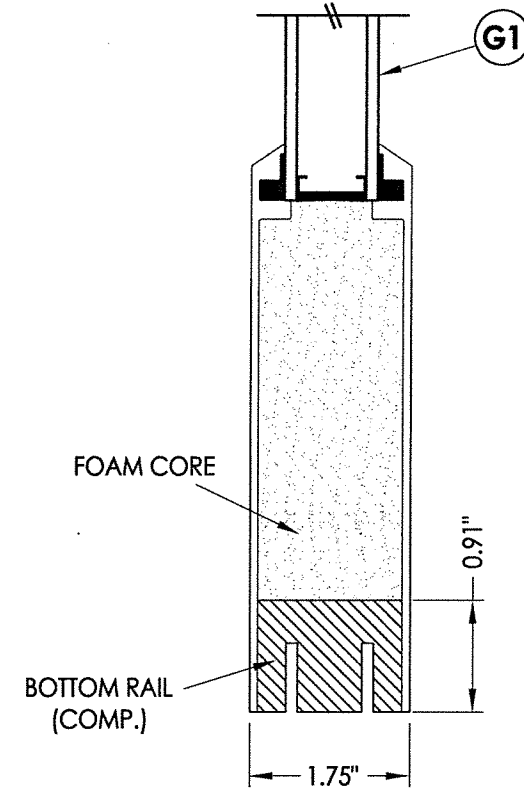


HARDWARE TABLE	
MANUFACTURER	MODEL
Endura	Trilennium® 3000 Series Multipoint Lock (3pt.)

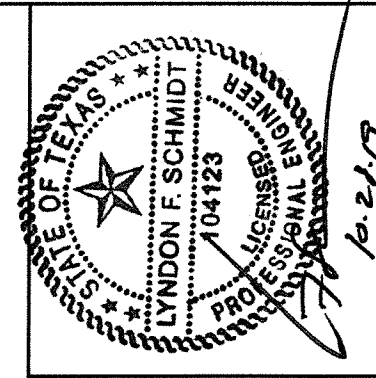
DOOR SKIN: FIBERGLASS (0.085" MIN. THICKNESS)
 CORE MATERIAL: POLYURETHANE FOAM (1.9 PCF MIN.)



INTERIOR EXTERIOR



2
2 VERTICAL CROSS SECTION

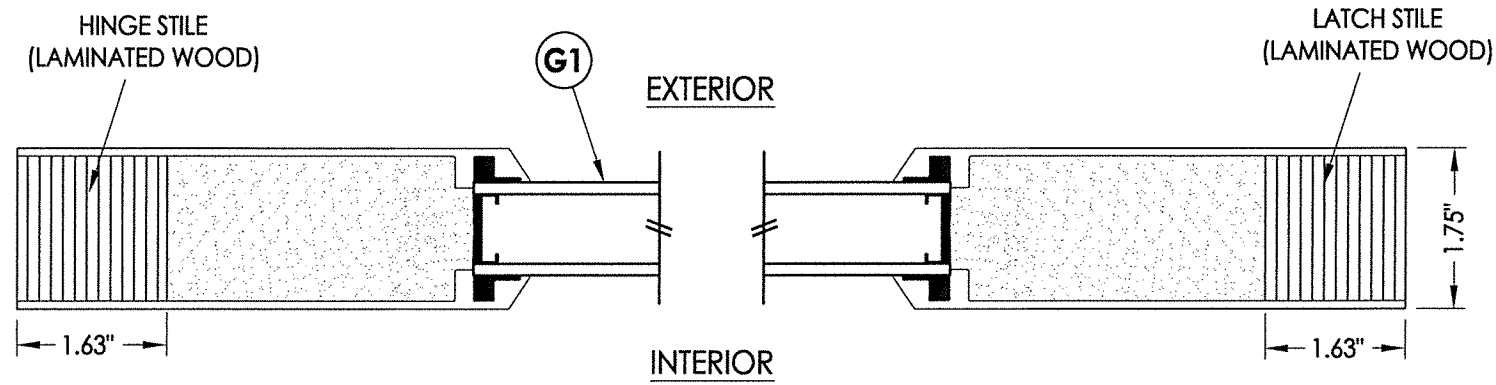


Documents Prepared By: Lyndon F. Schmidt, P.E.
 TEXAS P.E. #104123

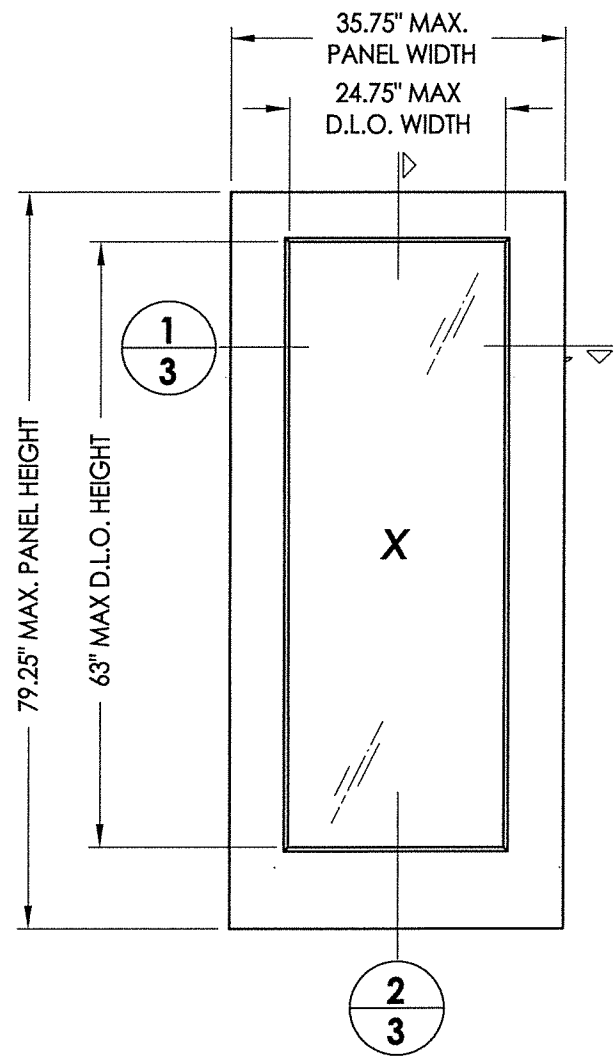
RW BUILDING CONSULTANTS, INC.
 P.O. Box 230 Vairico FL, 33595
 Phone No.: 813.659.9197
 TEXAS BOARD OF PROFESSIONAL ENGINEERS
 CERTIFICATE OF REGISTRATION # F-11852

PRODUCT:	ENDURA	
PART OR ASSEMBLY:	DOOR PANEL DETAILS & GLAZING DETAIL	
NO.	DATE	BY
1	10/24/19	LFS
ADD "FusionFrame" OPTION & UPDATE TO 2018 IBC/IRC CODE		
REVISIONS		
DATE:	4/27/17	
SCALE:	N.T.S.	
DWG. BY:	JK	
CHK. BY:	LFS	
DRAWING NO.:	TX-4690	
SHEET	2 OF 7	

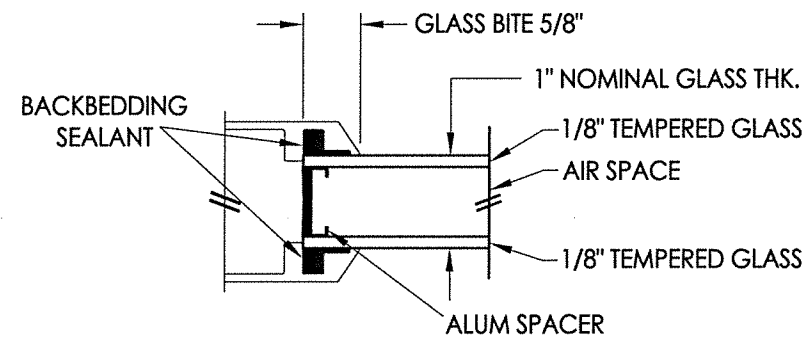
R:\Clients\Endura PERMANENT\B - Texas Dept of Ins\TDI - DR-888 Masonite FG VG GLAZED (Triennium)\C - Drawings\TX-4690.91.93.94.dwg, 3.3



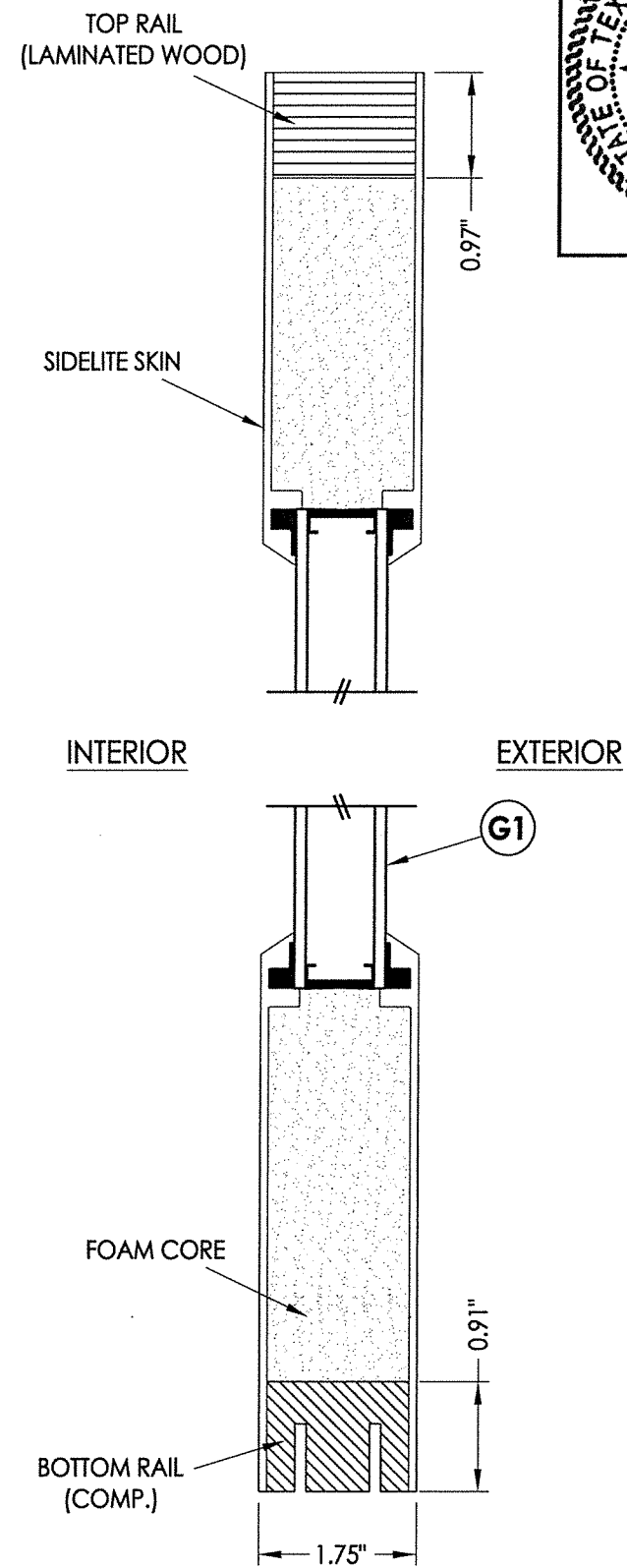
1
3 HORIZONTAL CROSS SECTION



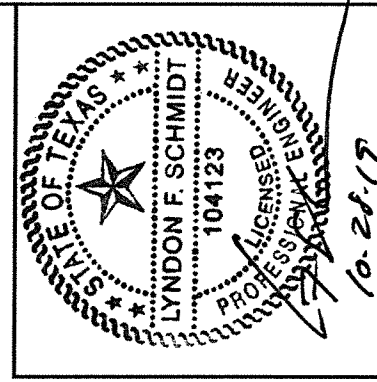
MASONITE
VistaGrande Flush Glazed
Fiberglass Sidelite Panel



G1 GLAZING DETAIL
Flush Glazing



2
3 VERTICAL CROSS SECTION



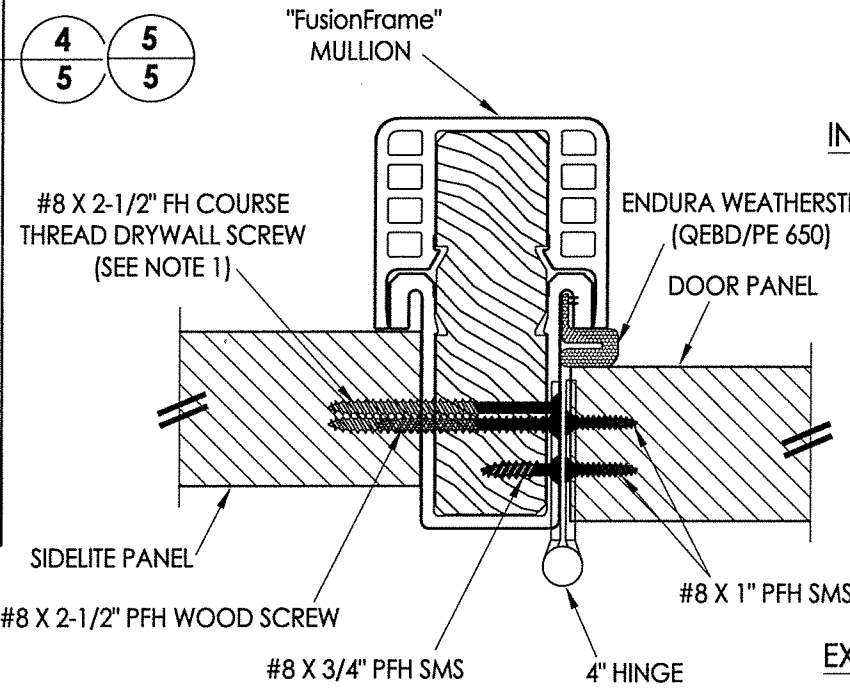
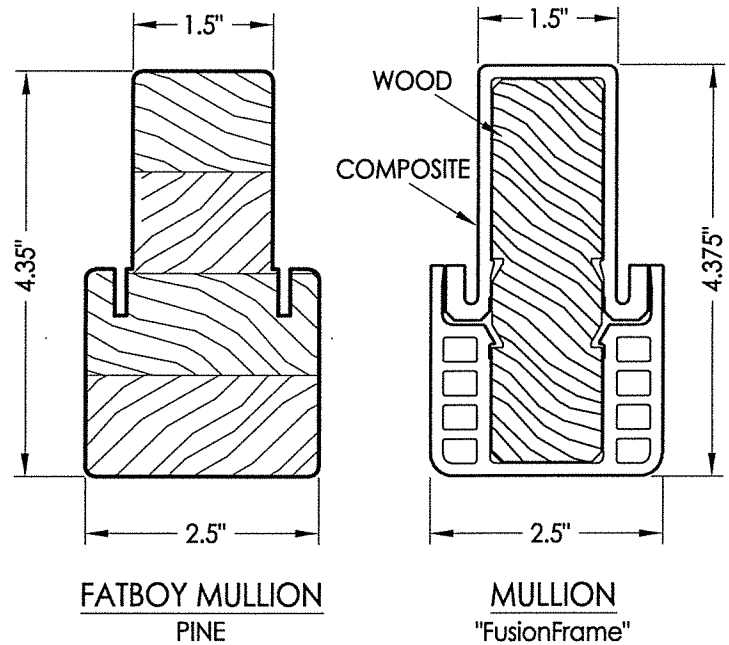
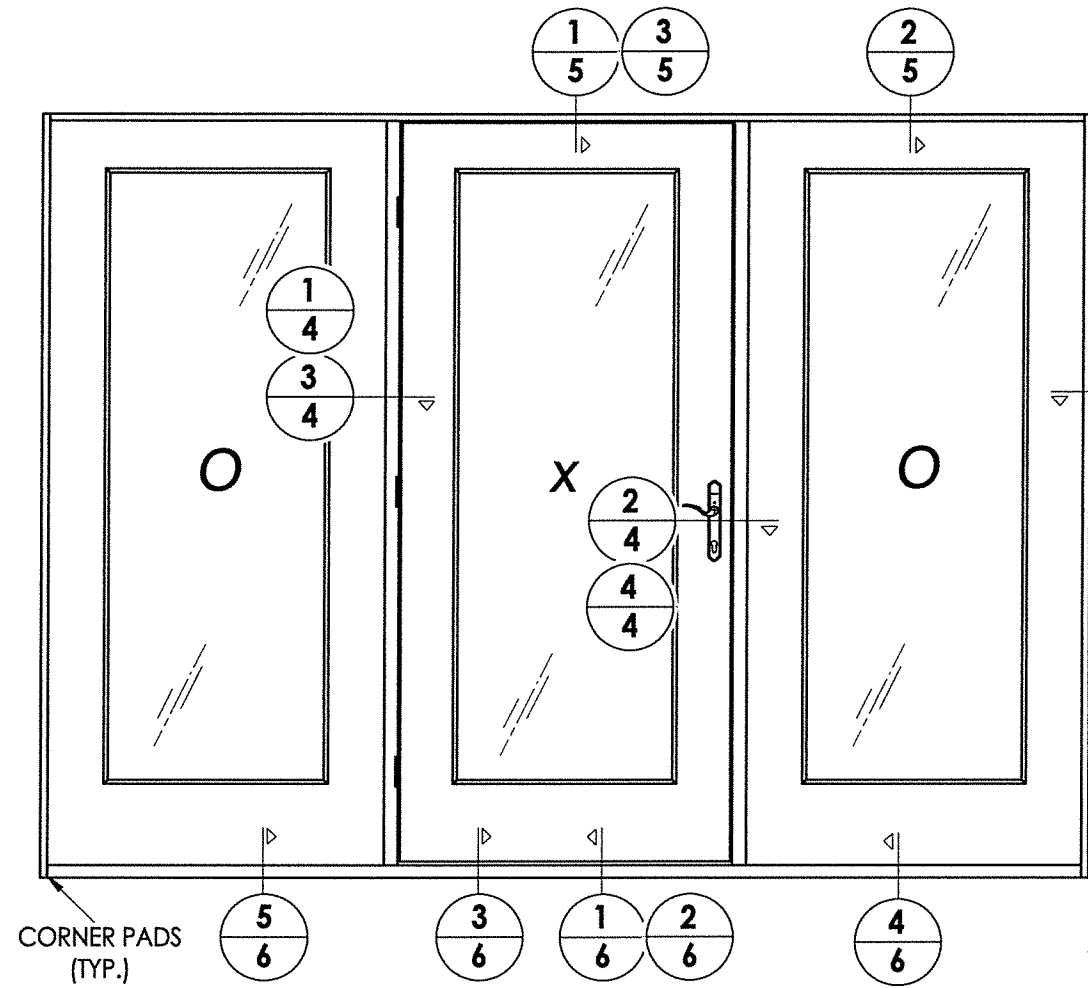
Documents Prepared By: Lyndon F. Schmidt, P.E.
TEXAS P.E. #104123

RW BUILDING CONSULTANTS, INC.
P.O. Box 230 Vairico FL 33595
Phone No.: 813.659.9197

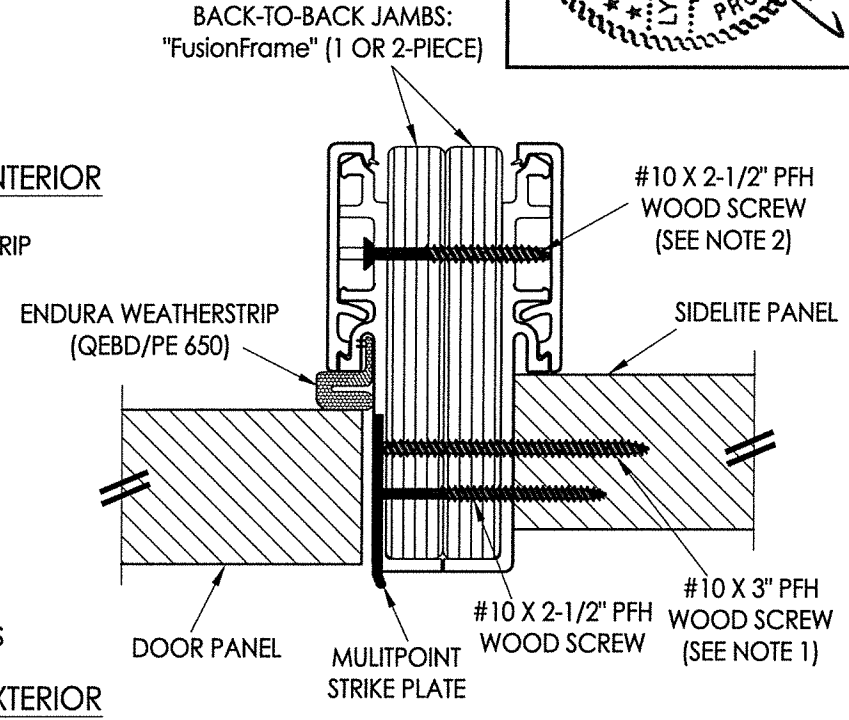
TEXAS BOARD OF PROFESSIONAL ENGINEERS
CERTIFICATE OF REGISTRATION # F-11852

PRODUCT:	ENDURA	
PART OR ASSEMBLY:	SIDELITE PANEL DETAILS (LIP LITE INSERT GLAZING)	
NO.	DATE	BY
1	10/24/19	LFS
ADD "FusionFrame" OPTION & UPDATE TO 2018 IBC/IRC CODE		
REVISIONS		
DATE:	4/27/17	
SCALE:	N.T.S.	
DWG. BY:	JK	
CHK. BY:	LFS	
DRAWING NO.:	TX-4690	
SHEET	3	OF 7

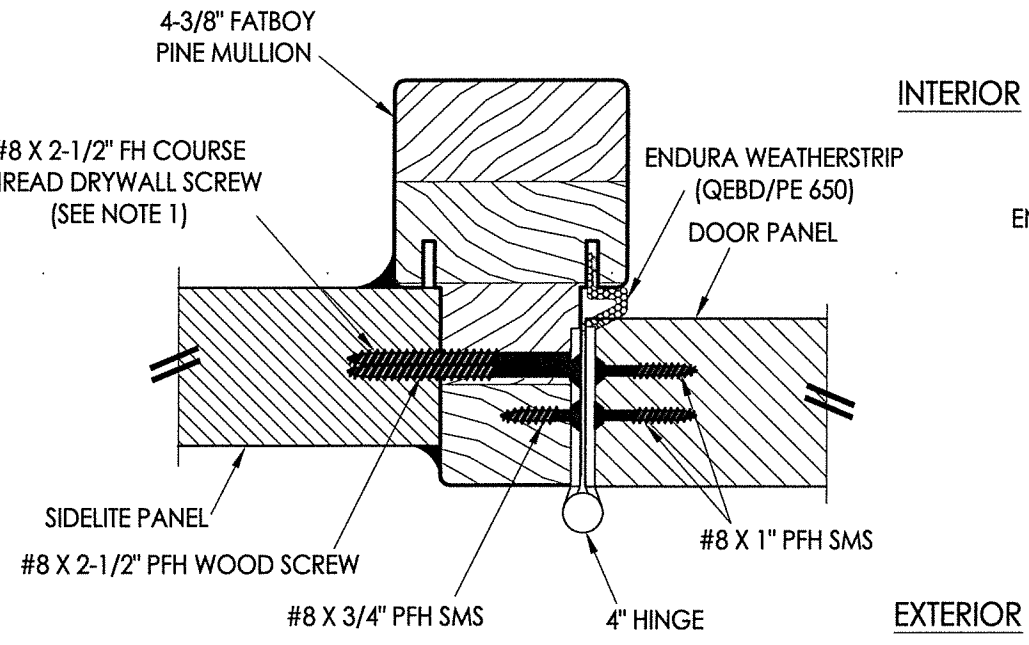
R:\Clients\Endura PERMANENT\B - Texas Dept of Ins\TDI - DR-888 Masonite FG VG GLAZED (Trilennium)\C - Drawings\TX-4690.91.93.94.dwg, 4.3



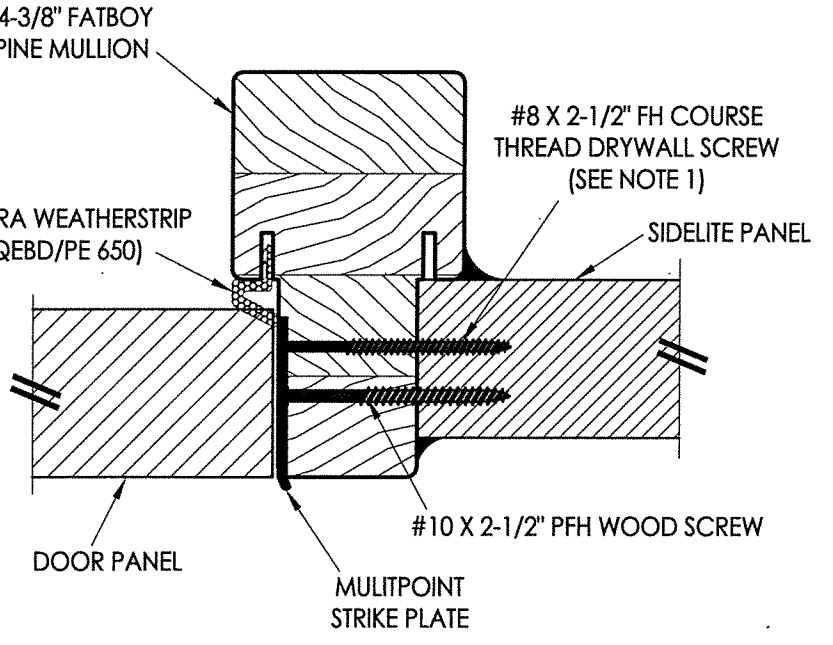
3 HORIZONTAL CROSS SECTION
4 Outswing shown - Inswing also approved



4 HORIZONTAL CROSS SECTION
4 Outswing shown - Inswing also approved

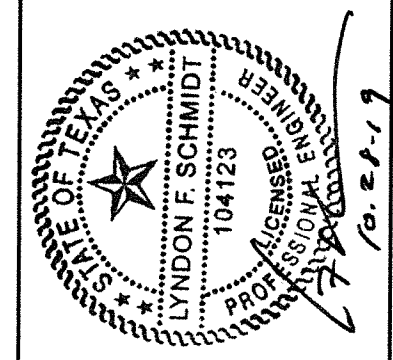


1 HORIZONTAL CROSS SECTION
4 Outswing shown - Inswing also approved



2 HORIZONTAL CROSS SECTION
4 Outswing shown - Inswing also approved

- NOTES:**
1. Spacing for sidelite screws: 6.5", 38.5" and 69" from head to sill (3 total).
 2. Spacing for mullion screws: 6" from each end plus 3 more equally spaced (5 total).



Documents Prepared By: Lyndon F. Schmidt, P.E.
TEXAS P.E. #104123

RW BUILDING CONSULTANTS, INC.
P.O. Box 230 Valrico FL, 33595
Phone No.: 813.659.9197
TEXAS BOARD OF PROFESSIONAL ENGINEERS
CERTIFICATE OF REGISTRATION # F-11852

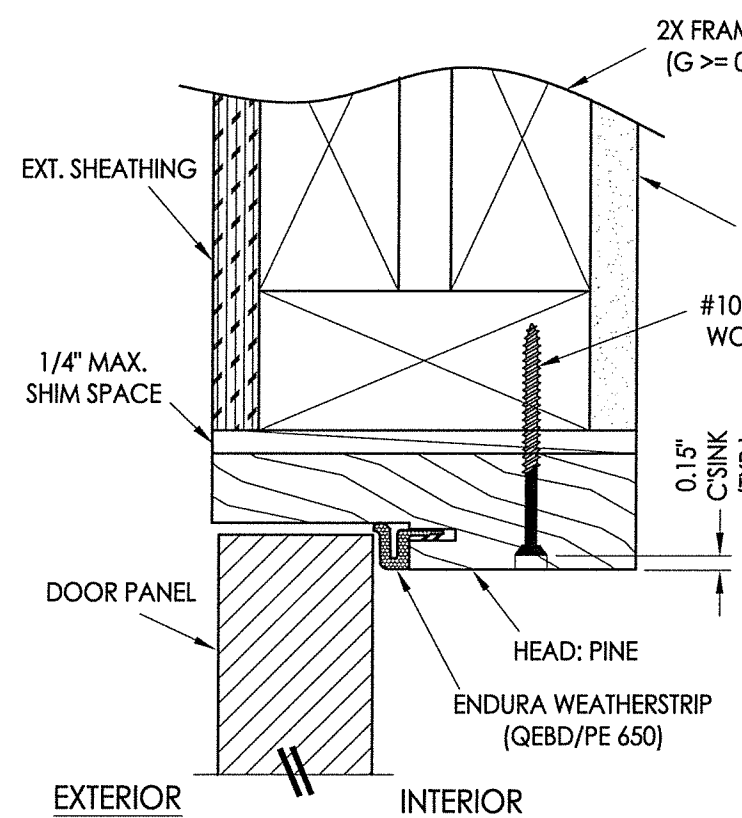
PRODUCT:	ENDURA
PART OR ASSEMBLY:	Steel DOOR
REVISIONS	HORIZONTAL CROSS SECTIONS

NO.	DATE	BY
1	10/24/19	LFS
ADD "FusionFrame" OPTION & UPDATE TO 2018 IBC/IRC CODE		

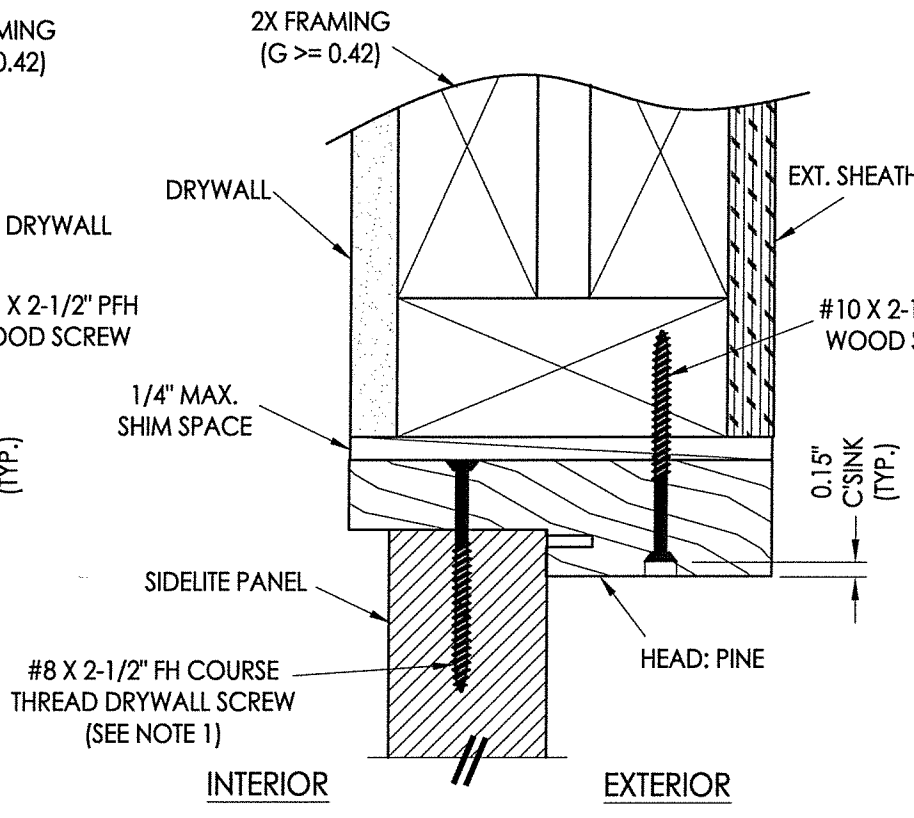
DATE:	4/27/17
SCALE:	N.T.S.
DWG. BY:	JK
CHK. BY:	LFS
DRAWING NO.:	TX-4690
SHEET	4 OF 7

© 2017 R.W. BUILDING CONSULTANTS INC.

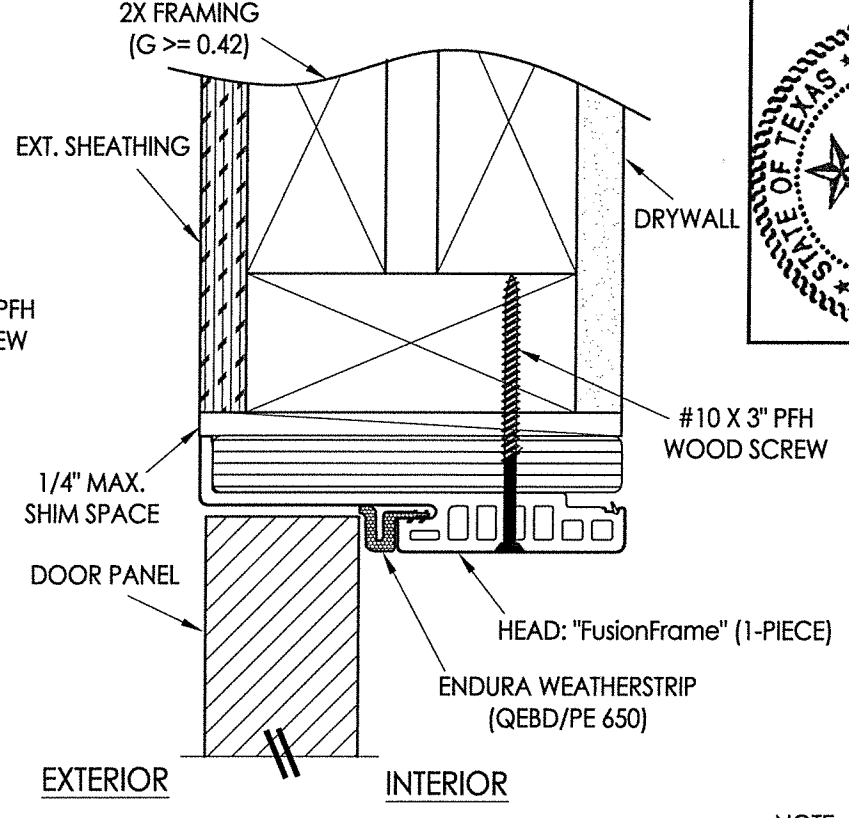
R:\Clients\Endura PERMANENT\B - Texas Dept of Ins\TDI - DR-888 Masonite FG VG GLAZED (Trilennium)\C - Drawings\TX-4690.91.93.94.dwg, 5.3



1 VERTICAL CROSS SECTION
5 Outswing shown - inswing also approved

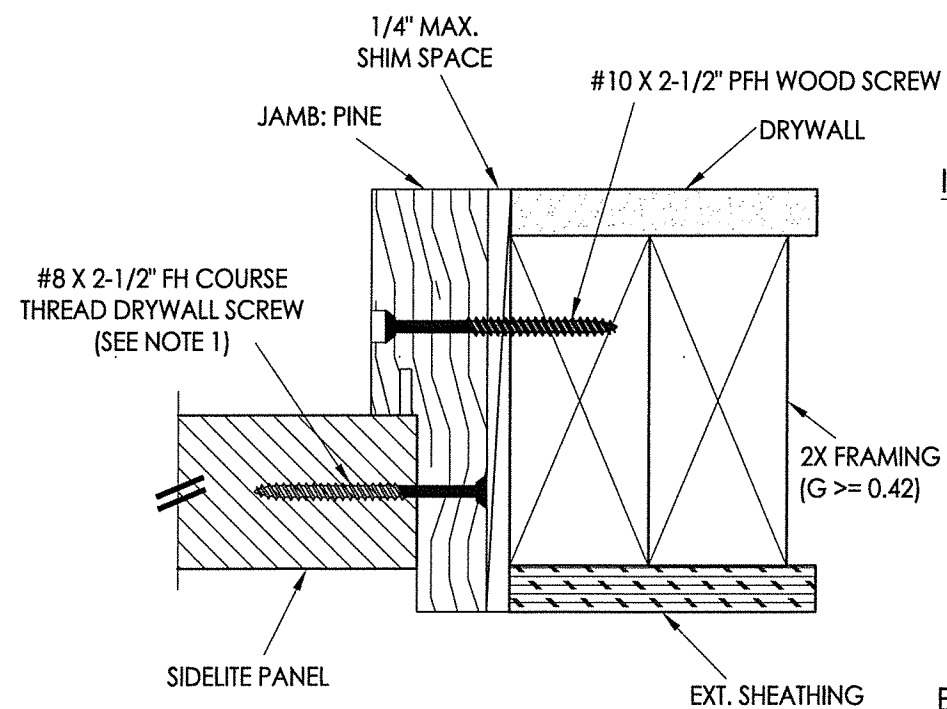
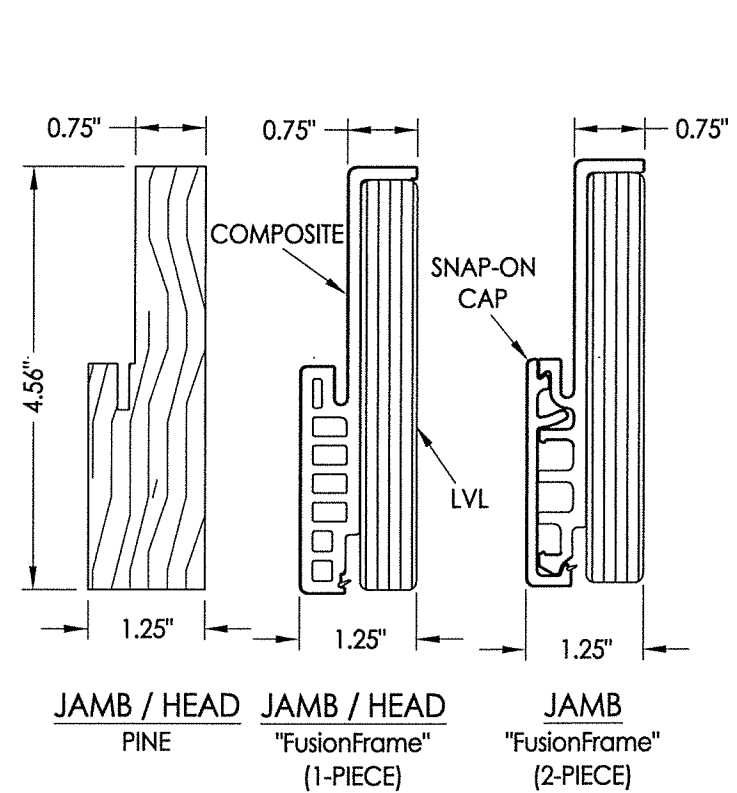


2 VERTICAL CROSS SECTION
5 Inswing shown - Outswing also approved

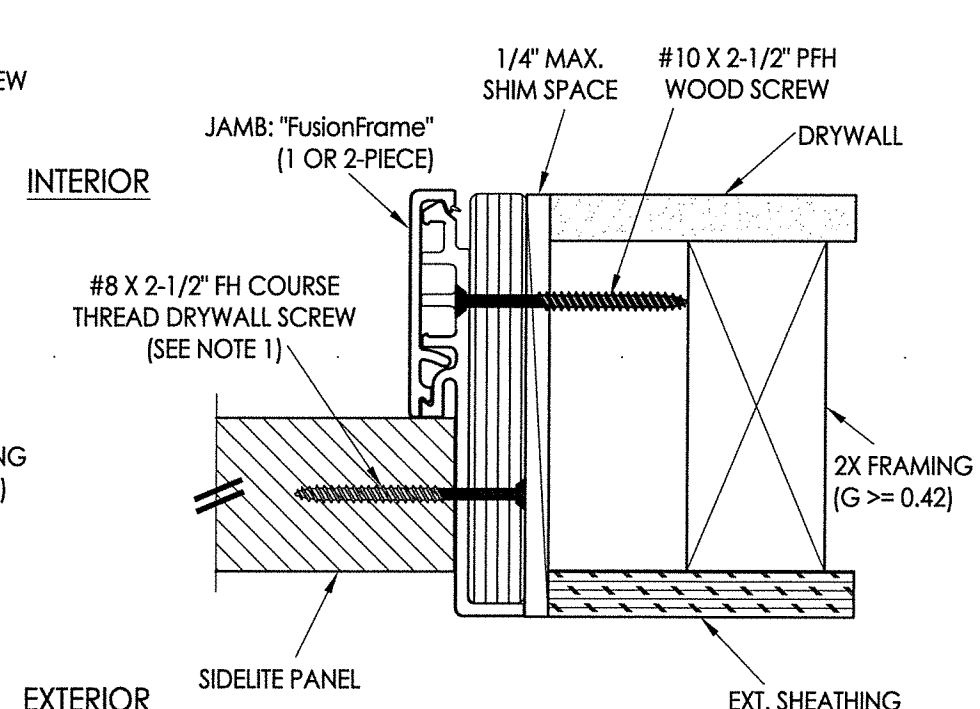


3 VERTICAL CROSS SECTION
5 Outswing shown - inswing also approved

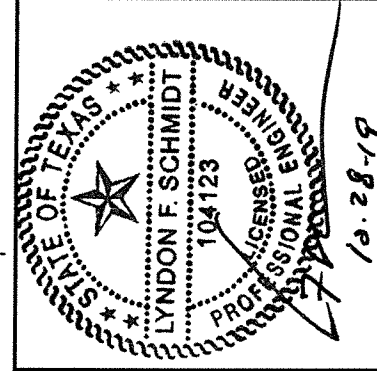
NOTE:
 1. Spacing for sidelite screws: 6" from each end (2 total).



4 HORIZONTAL CROSS SECTION
5 Outswing shown - Inswing also approved



5 HORIZONTAL CROSS SECTION
5 Outswing shown - Inswing also approved



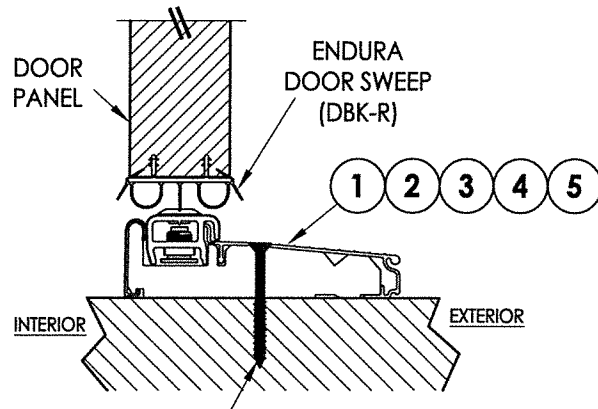
Documents Prepared By: Lyndon F. Schmidt, P.E.
 TEXAS P.E. #104123

RW BUILDING CONSULTANTS, INC.
 P.O. Box 230 Valrico FL 33595
 Phone No.: 813.659.9197
 TEXAS BOARD OF PROFESSIONAL ENGINEERS
 CERTIFICATE OF REGISTRATION # F-11852

6-28-19

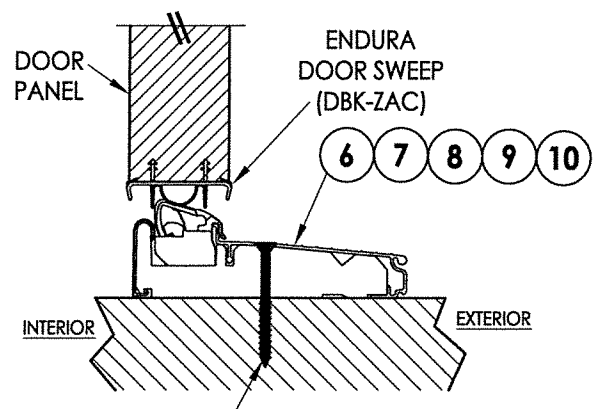
PRODUCT:	ENDURA	
PART OR ASSEMBLY:	VERTICAL CROSS SECTIONS	
NO.	DATE	BY
1	10/24/19	LFS
ADD "FusionFrame" OPTION & UPDATE TO 2018 IBC/IRC CODE		
REVISIONS		
DATE:	4/27/17	
SCALE:	N.T.S.	
DWG. BY:	JK	
CHK. BY:	LFS	
DRAWING NO.:	TX-4690	
SHEET	5 OF 7	

R:\Clients\Endura PERMANENT\B - Texas Dept of Ins\TDI - DR-888 Masonite FG VG GLAZED (Trilennium)\C - Drawings\TX-4690\91.93.94.dwg, 6.3



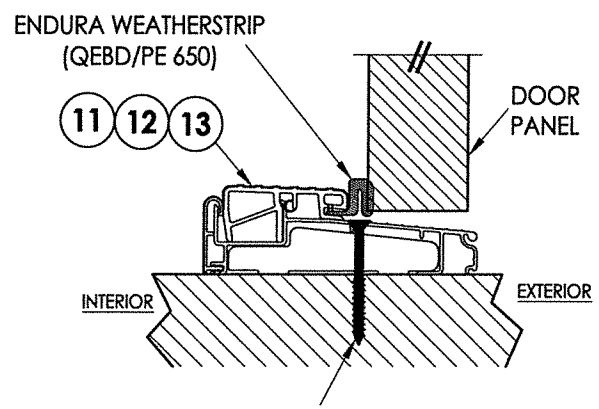
#10 X 2-1/2" PFH WOOD SCREW OR
1/4" X 2-3/4" ELCO OR ITW CONCRETE SCREW

1 VERTICAL CROSS SECTION
6 Inswing Adjustable Threshold



#10 X 2-1/2" PFH WOOD SCREW OR
1/4" X 2-3/4" ELCO OR ITW CONCRETE SCREW

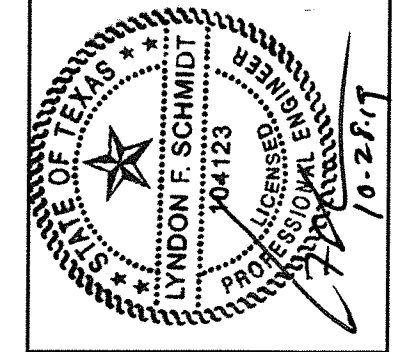
2 VERTICAL CROSS SECTION
6 Inswing Articulating Threshold



#10 X 2-1/2" PFH WOOD SCREW OR
1/4" X 2-3/4" ELCO OR ITW CONCRETE SCREW

3 VERTICAL CROSS SECTION
6 Outswing Bump Threshold

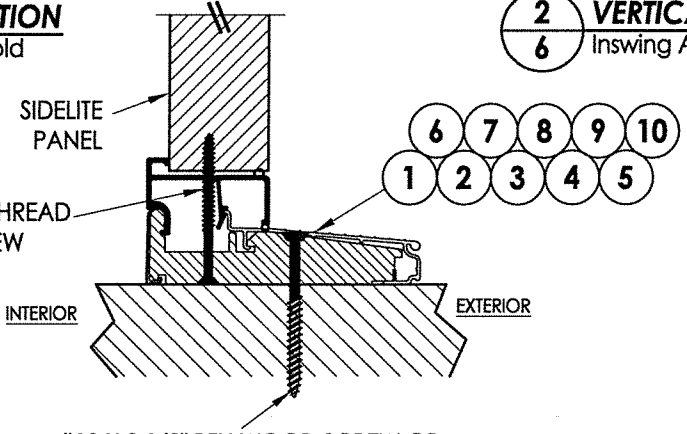
NOTE:
1. Spacing for sidelite screws:
6" from each end (2 total).



Documents Prepared By: Lyndon F. Schmidt, P.E.
TEXAS P.E. #104123

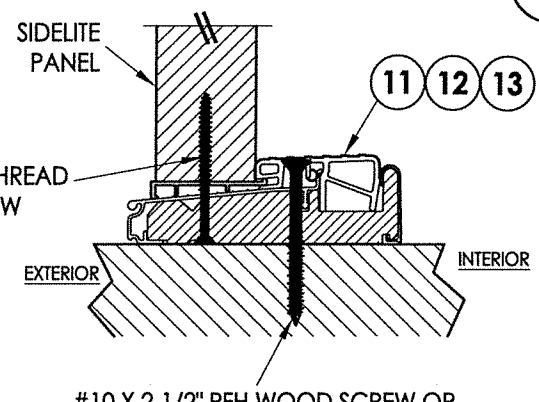
RW BUILDING CONSULTANTS, INC.
P.O. Box 230 Valrico FL 33595
Phone No.: 813.659.9197

TEXAS BOARD OF PROFESSIONAL ENGINEERS
CERTIFICATE OF REGISTRATION # F-11852



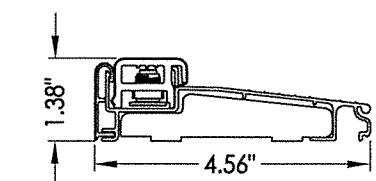
#10 X 2-1/2" PFH WOOD SCREW OR
1/4" X 2-3/4" ELCO OR ITW CONCRETE SCREW

4 VERTICAL CROSS SECTION
6 Inswing configuration

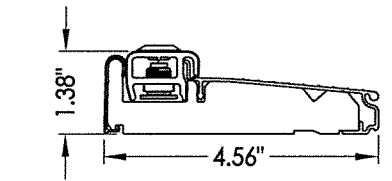


#10 X 2-1/2" PFH WOOD SCREW OR
1/4" X 2-3/4" ELCO OR ITW CONCRETE SCREW

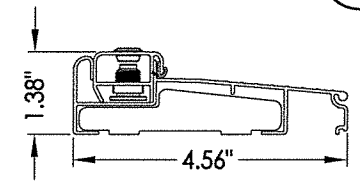
5 VERTICAL CROSS SECTION
6 Outswing configuration



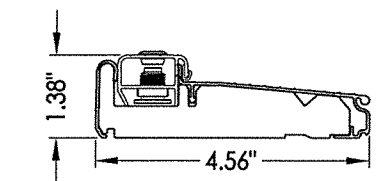
1 INSWING ADJUSTABLE THRESHOLD
ZAIL4565



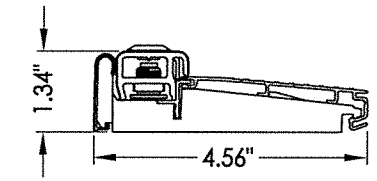
2 INSWING ADJUSTABLE THRESHOLD
ZAI4565FN



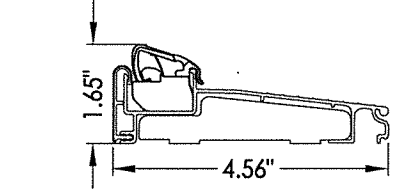
3 INSWING ADJUSTABLE THRESHOLD
ZAILAA4565



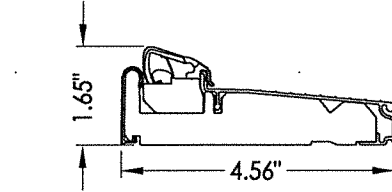
4 INSWING ADJUSTABLE THRESHOLD
ZAIAA4565FN



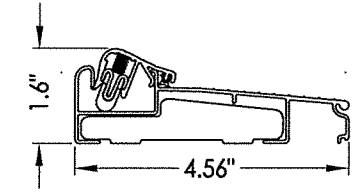
5 INSWING ADJUSTABLE THRESHOLD
ZAI4565RDS



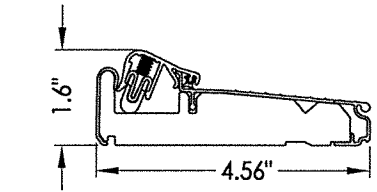
6 INSWING ARTICULATING THRESHOLD
ZACL4565



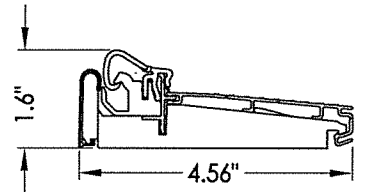
7 INSWING ARTICULATING THRESHOLD
ZAC4565FN



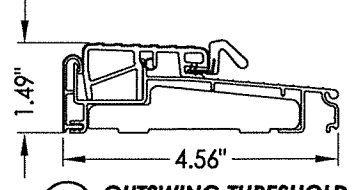
8 INSWING ARTICULATING THRESHOLD
ZACLAA4565



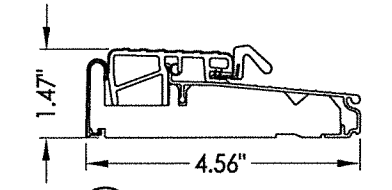
9 INSWING ARTICULATING THRESHOLD
ZACAA4565FN



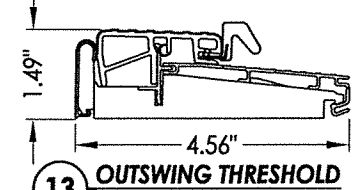
10 INSWING ARTICULATING THRESHOLD
ZAC4565RDS



11 OUTSWING THRESHOLD
ZOBL4565



12 OUTSWING THRESHOLD
ZOB4565FN



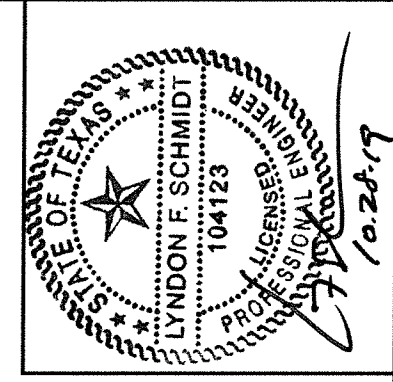
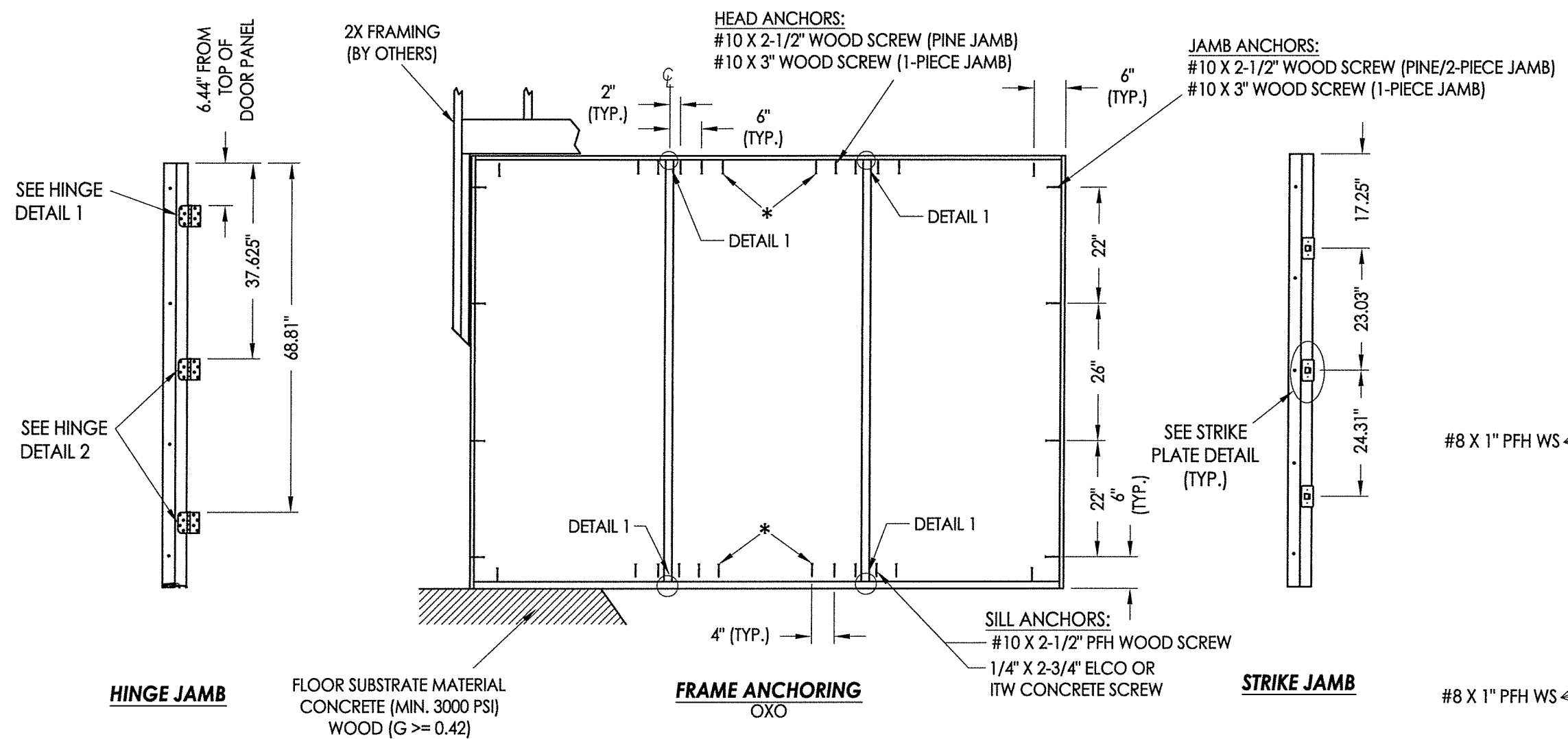
13 OUTSWING THRESHOLD
ZOB4565RDS

MAX. DESIGN PRESSURE = ±55 PSF

PRODUCT:	ENDURA	
PART OR ASSEMBLY:	VERTICAL CROSS SECTIONS	
NO.	DATE	BY
1	10/24/19	LFS
ADD "FusionFrame" OPTION & UPDATE TO 2018 IBC/IRC CODE		
DATE:	4/27/17	
SCALE:	N.T.S.	
DWG. BY:	JK	
CHK. BY:	LFS	
DRAWING NO.:	TX-4690	
SHEET	6	OF 7

© 2017 R.W. BUILDING CONSULTANTS INC.

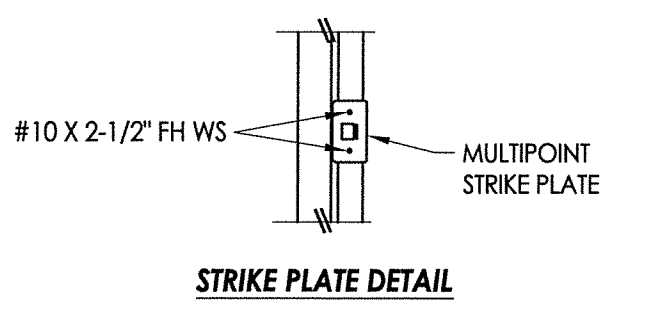
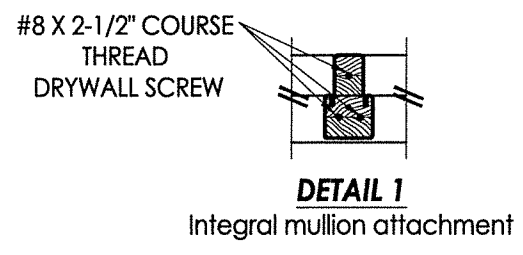
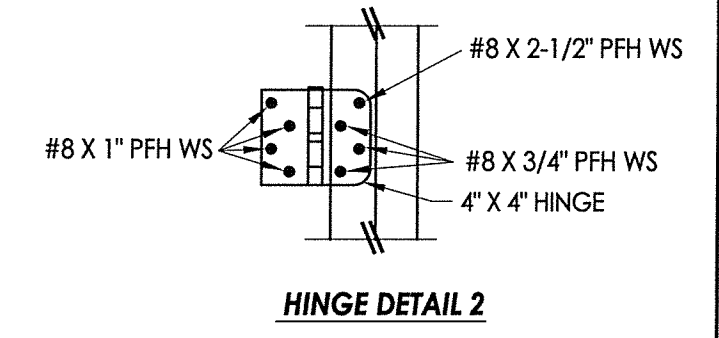
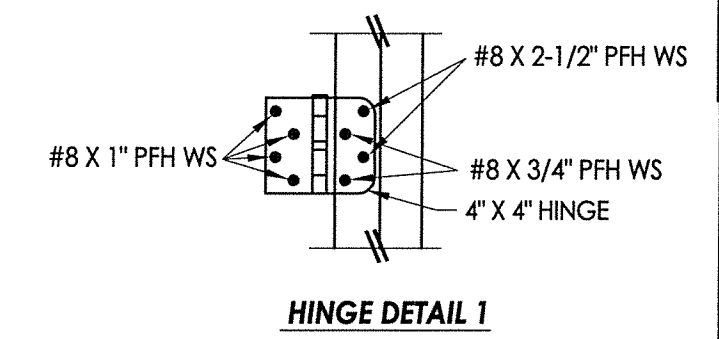
R:\Clients\Endura PERMANENT\B - Texas Dept of Ins\TDI - DR-888 Masonite FG VG GLAZED (Trilemium)\C - Drawings\TX-4690.91.93.94.dwg, 7.3



Documents Prepared By: Lyndon F. Schmidt, P.E.
TEXAS P.E. #104123

RW BUILDING CONSULTANTS, INC.
P.O. Box 230 Valrico FL, 33595
Phone No.: 813.659.9197

TEXAS BOARD OF PROFESSIONAL ENGINEERS
CERTIFICATE OF REGISTRATION # F-11852



* NOTE: These anchors are required for D.P. > 40 PSF.

- JAMB NOTES:**
THE PINE OR "FusionFrame" 1-PIECE JAMB MAY BE INSTALLED @ THE HEAD OR SIDE JAMB.
THE FusionFrame" 2-PIECE JAMB MAY BE INSTALLED @ THE SIDE JAMBS ONLY.
- INTEGRAL MULLION NOTES:**
THE FATBOY PINE MULLION, "FusionFrame" MULLION, OR THE "FusionFrame" BACK-TO-BACK JAMB (1-PIECE OR 2-PIECE) MAY ALL BE USED AS THE INTEGRAL MULLION.
- CONCRETE ANCHOR NOTES:**
- Concrete anchor locations at the corners may be adjusted to maintain the min. edge distance to mortar joints.
 - Concrete anchor locations noted as "MAX. ON CENTER" must be adjusted to maintain the min. edge distance to mortar joints, additional concrete anchors may be required to ensure the "MAX. ON CENTER" dimension are not exceeded.
 - Concrete anchor table:

ANCHOR TYPE	ANCHOR SIZE	MIN. EMBEDMENT	MIN. CLEARANCE TO MASONRY EDGE	MIN. CLEARANCE TO ADJACENT ANCHOR
ITW TAPCON®	1/4"	1-3/4"	1-1/2"	4"
ELCO ULTRACON®	1/4"	1-3/4"	1"	4"

PRODUCT:	ENDURA	
PART OR ASSEMBLY:	FRAME ANCHORING	
NO.	DATE	BY
1	10/24/19	LFS
ADD "FusionFrame" OPTION & UPDATE TO 2018 IBC/IRC CODE		
REVISIONS		
DATE:	4/27/17	
SCALE:	N.T.S.	
DWG. BY:	JK	
CHK. BY:	LFS	
DRAWING NO.:	TX-4690	
SHEET	7	OF 7